



**THE DATASHEET OF
HY15-6E7-091-0000**



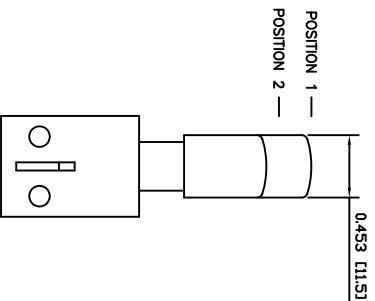
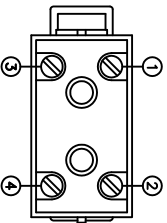
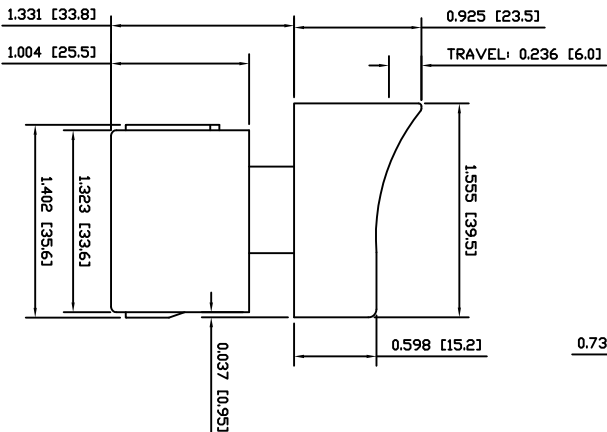
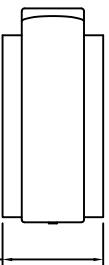
SPECIFICATIONS

FUNCTION:
2P1T OFF-(ON)

RATINGS:
ANSI/UL 1054 and CAN/CSA C22.2 No. 55 (E194579):
18A 125VAC [cURus]
12A 250VAC [cURus]

OPERATING FORCE:
3.0kgf±0.5kgf
ELECTRICAL LIFE:
6,000 Cycles [cURus]

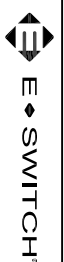
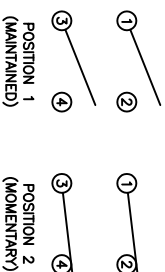
APPROVALS:



COLORS

BODY: White
ACTUATOR: Black
LOCK: None

SCHEMATIC



HY15-6E7-091-0000

DRAWING NUMBER: 34-H156E7/0910000 DATE: FEBRUARY 08, 2012 REVISION: B

REV.	DATE	BY	CHK
A	09/07/10	CAB	CAB
A	09/07/10	CAB	CAB

THE INFORMATION CONTAINED IN THIS DOCUMENT IS PROPRIETARY TO E-SWITCH AND IS NOT TO BE COPIED OR TRANSMITTED

REV.	DESCRIPTION
A	Removed IIV reference information
B	RELEASE FOR PRODUCTION

21770 01/18/13 BMA
20446 02/08/12 DRAWN BY

INCHES	MILLIMETERS
±0.008	±0.2

PROJECTION:

DRAWING NOT TO SCALE

34-H156E7/0910000

DATE: FEBRUARY 08, 2012 REVISION: B

Looking for pricing, stock, or lifecycle information?

Click below to explore more details on WIN SOURCE:

 [View HY15-6E7-091-0000](#) on WIN SOURCE

 [E-SWITCH](#) Information

Optimize Your Supply Chain with WIN SOURCE Solutions

-  Global Sourcing Solution
-  Obsolete Management
-  Cost Control Management
-  Shortage Management
-  Alternative Solution
-  Excess Inventory Management