



**THE DATASHEET OF
RP8200B2M1CEBLKREDNIL**



RP8200 SERIES PUSHBUTTON SWITCH

ANTI-VANDAL SWITCHES
DETECTOR SWITCHES
DIP SWITCHES
KEYLOCK SWITCHES
NAVIGATION SWITCHES
PUSHBUTTON SWITCHES
ROCKER SWITCHES
ROTARY SWITCHES
SLIDE SWITCHES
SNAP ACTION SWITCHES
TACTILE SWITCHES
TOGGLE SWITCHES
CAP OPTIONS



APPLICATIONS / MARKETS



Audio / Visual



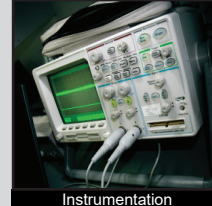
Electrical Housewares



Floor Care Appliances



White Goods



Instrumentation



Medical Equipment

RoHS

SPECIFICATIONS

Electrical Rating: 100mA @ 24VDC
Life Expectancy: 200,000 Cycles
Contact Resistance: 50mΩ Max.
Insulation Resistance: 1,000MΩ Min. @ 500VDC
Dielectric Strength: 1,000VAC for 1 minute
Operating Temperature: -30°C to 85°C
Travel: 2.5mm
Contact Arrangement: SPST, Off-On, Latching
Actuation Force: 350 gf
Panel Thickness: 1.5mm - 4.0mm
Ingress Protection: IP67
Mounting Nut Torque: .5Nm

FEATURES & BENEFITS

- Threaded mount
- 200,000 life expectancy
- LED illumination options
- Sealed to IP67 ratings

PART NUMBER CONFIGURATOR

Series	Bushing	Termination	Contact Material	Seal	Housing Color	Cap Color	LED Color
<input type="checkbox"/> <input type="checkbox"/> <input type="checkbox"/> <input type="checkbox"/> <input type="checkbox"/> RP8200 RP8201*	<input type="checkbox"/> <input type="checkbox"/> B2 - Threaded (12 x 0.75)	<input type="checkbox"/> <input type="checkbox"/> M1 - Standard	<input type="checkbox"/> C - Gold Over Silver	<input type="checkbox"/> E - Epoxy Sealed	<input type="checkbox"/> <input type="checkbox"/> <input type="checkbox"/> BLK - Black	<input type="checkbox"/> <input type="checkbox"/> <input type="checkbox"/> WHT - White BLK - Black RED - Red ORG - Orange YEL - Yellow GRN - Green BLU - Blue	<input type="checkbox"/> <input type="checkbox"/> <input type="checkbox"/> WHT - White LED RED - Red LED YEL - Yellow LED GRN - Green LED BLU - Blue LED GY - Green/Yellow LED RG - Red/Green LED RB - Red/Blue LED NIL - Non Illuminated*

*The RP8201 series (High Actuator) is only offered in a non-illuminated version.

Specifications subject to change without notice 7.10.2024



E-SWITCH®

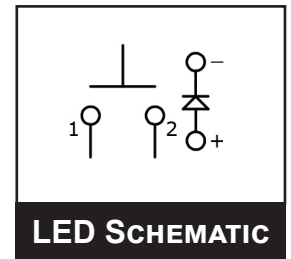
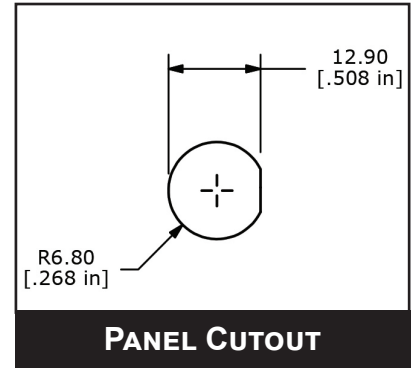
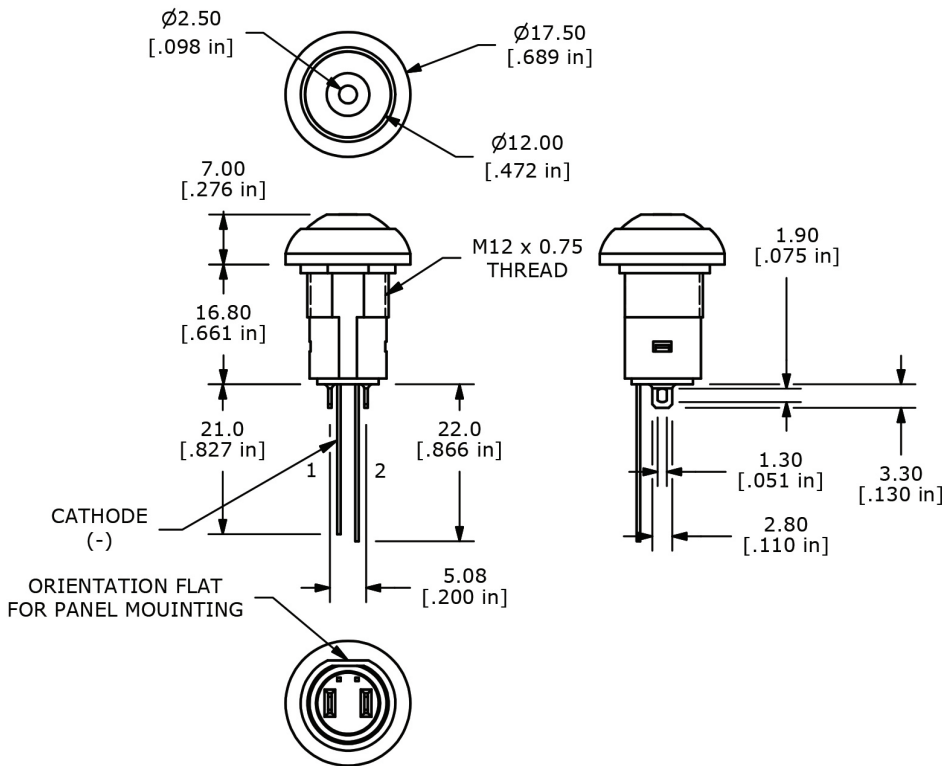
www.e-switch.com

800.867.2717

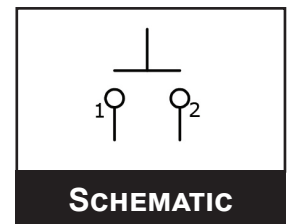
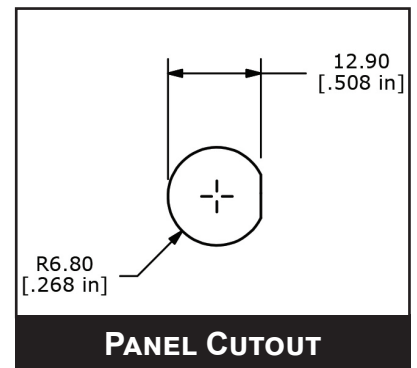
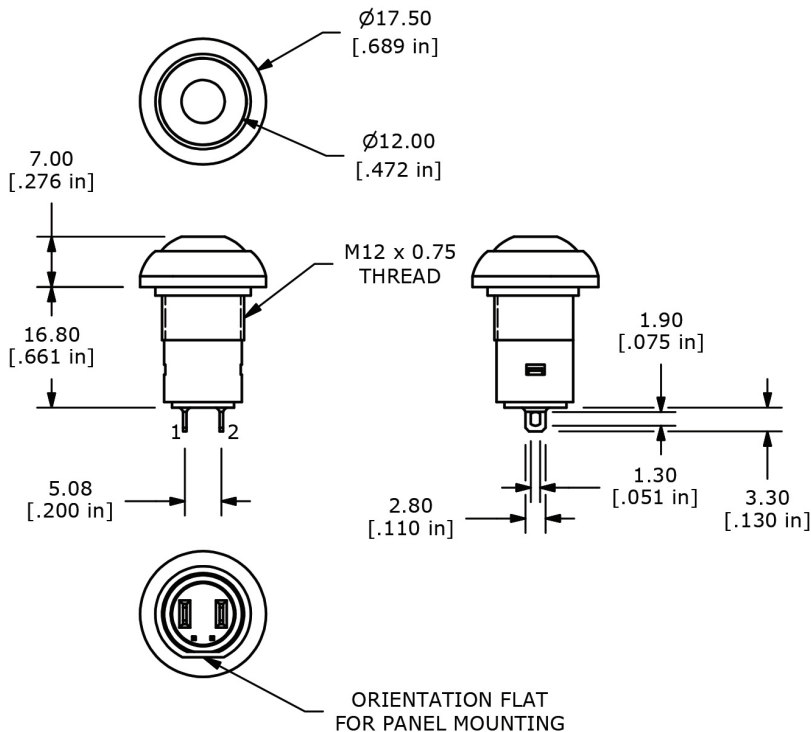
1

RP8200 SERIES PUSHBUTTON SWITCH

RP8200 w/ LED B2 BUSHING



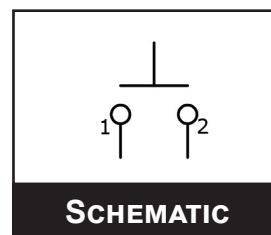
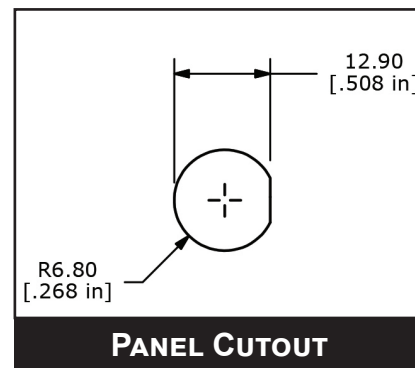
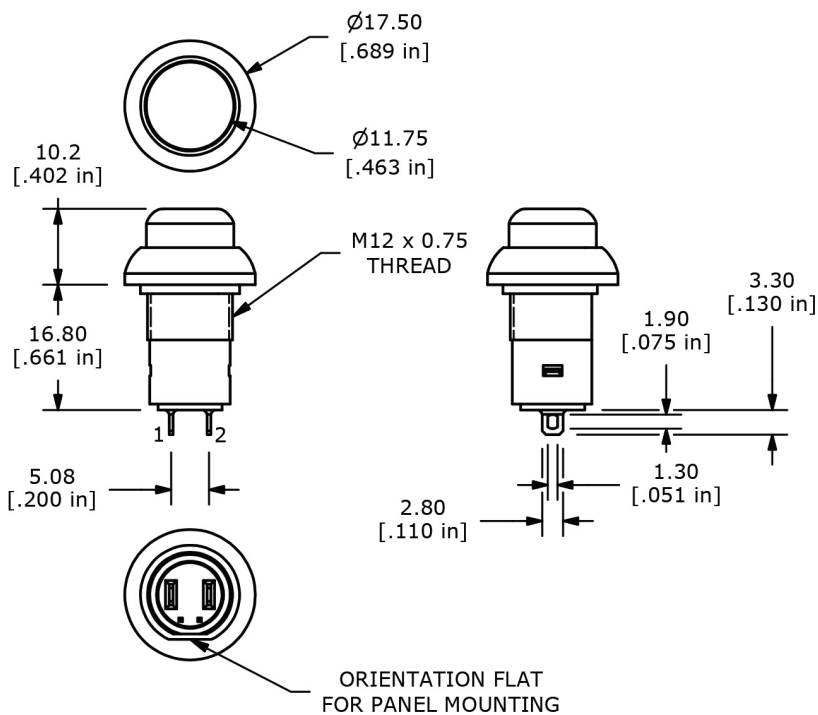
RP8200 w/o LED B2 BUSHING



ANTI-VANDAL SWITCHES
DETECTOR SWITCHES
DIP SWITCHES
KEYLOCK SWITCHES
NAVIGATION SWITCHES
PUSHBUTTON SWITCHES
ROCKER SWITCHES
ROTARY SWITCHES
SLIDE SWITCHES
SNAP ACTION SWITCHES
TACTILE SWITCHES
TOGGLE SWITCHES
CAP OPTIONS

RP8200 SERIES PUSHBUTTON SWITCH

RP8201 w/o LED B2 BUSHING



Looking for pricing, stock, or lifecycle information?

Click below to explore more details on WIN SOURCE:

-  [View RP8200B2M1CEBLKREDNIL on WIN SOURCE](#)
-  [E-SWITCH Information](#)

Optimize Your Supply Chain with WIN SOURCE Solutions

-  Global Sourcing Solution
-  Obsolete Management
-  Cost Control Management
-  Shortage Management
-  Alternative Solution
-  Excess Inventory Management