



**THE DATASHEET OF
PB1973BBLKBLKEF0**





SERIES PB 1973 SWITCHES

PUSHBUTTON SWITCHES - ILLUMINATED PANEL MOUNT



SPECIFICATIONS

Contact Rating: 15A @ 250 VAC UL listed

Life Expectancy (Mechanical): ≥30,000 cycles

Life Expectancy (Electrical): ≥10,000 cycles

Contact Resistance: < 20mΩ

Insulation Resistance: 1,000MΩ min.

Dielectric Strength: > 1,500 volts

Operating Temperature: -10°C to +55°C

FEATURES & BENEFITS

- ▶ Panel Mount
- ▶ Illuminated
- ▶ Many color options available

APPLICATIONS/MARKETS

- ▶ Telecommunications
- ▶ Networking
- ▶ Computers/servers
- ▶ Performance audio
- ▶ Instrumentation
- ▶ Low power on/off designs
- ▶ External hard drives and modems

HOW TO ORDER

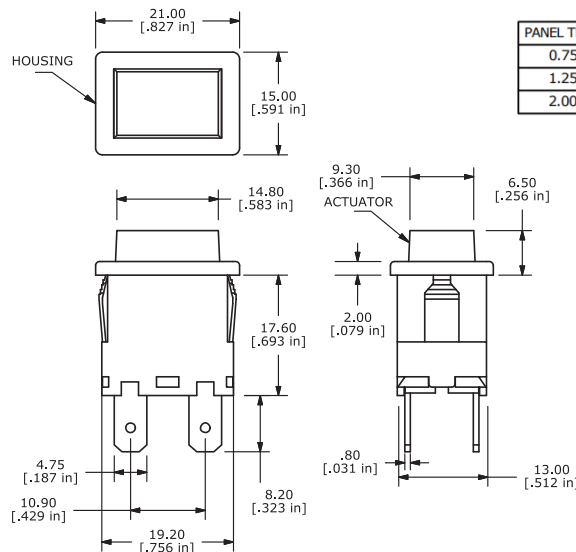
SERIES PB	MODEL NO. □□□□	CIRCUIT □	HOUSING COLOR □□□□	ACTUATOR COLOR □□□□	MARKING □	TERMINATION □	LED COLOR □
	1973	A = SPST ON-OFF B = SPST (ON)-OFF C = SPST (ill) ON-OFF D = SPST (ill) (ON)-OFF E = DPST ON-OFF F = DPST (ON)-OFF G = DPST (ill) ON-OFF H = DPST (ill) (ON)-OFF	BLK = Black WHT = White	BLK = Black (Opaque) WHT = White (Opaque) GIL = Green Illuminated RIL = Red Illuminated YIL = Yellow Illuminated	E = No Marking	F = .187 x .032 Faston	0 = No Lamp 1 = 125 VAC Neon 2 = 250 VAC Neon 3 = 12 VDC LED 4 = 24 VDC LED

Example Ordering Number

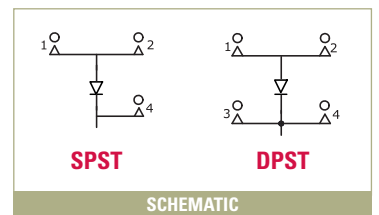
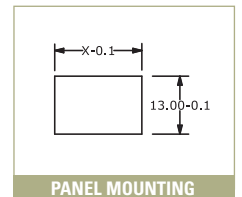
PB-1973-B-BLK-RIL-E-F-2

Specifications subject to change without notice.12.4.2025

PB 1973



PANEL THICKNESS	X
0.75-1.25	19.1 - 19.2
1.25-2.00	19.3 - 19.4
2.00-3.00	19.5 - 19.6



Looking for pricing, stock, or lifecycle information?

Click below to explore more details on WIN SOURCE:

 [View PB1973BBLKBLKEF0 on WIN SOURCE](#)

 [E-SWITCH](#) Information

Optimize Your Supply Chain with WIN SOURCE Solutions

-  Global Sourcing Solution
-  Obsolete Management
-  Cost Control Management
-  Shortage Management
-  Alternative Solution
-  Excess Inventory Management