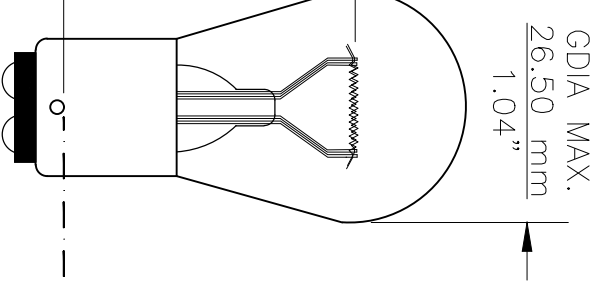




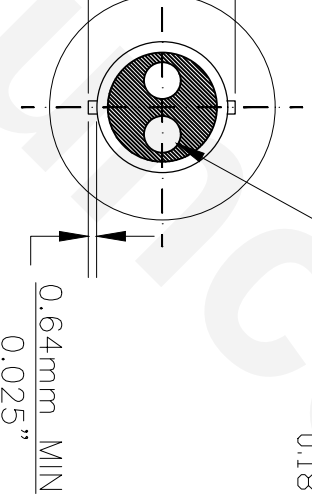
**THE DATASHEET OF**  
**1638**



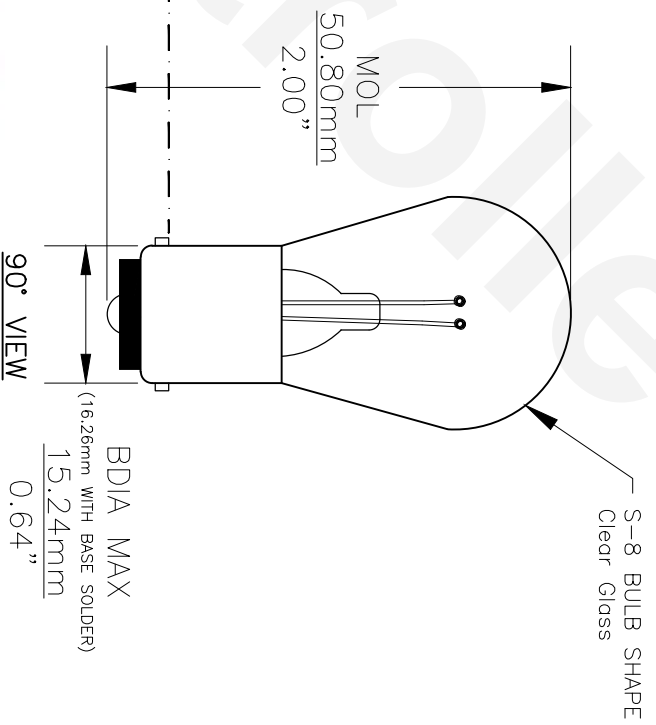
PART NO.	BASE TYPE	DESIGN VOLTS	DESIGN AMPS	MSCD	FILAMENT TYPE	AVERAGE LIFE HOURS	REVISIONS			
							REV #	DESCRIPTION	DATE	APPROVED
1638	D.C. BAYONET (BA15d)	28.0V	1.02±10%	32±15%	2C-6	500	1	ISSUED	02/02/2001	E.S.
							2	ADDITIONAL VIEW AND NOTES	11/02/2010	D.C.
							3	REDRAWN FOR ADDITIONAL VIEW	10/27/2014	R.M.



0° VIEW  
2X DIA 4.75mm  
0.187"



BASE BOTTOM VIEW




**RÖHS**  
COMPLIANT

Note: Made according to SAE specifications

UNLESS OTHERWISE SPECIFIED- DIMENSIONS ARE IN INCHES		CEC INDUSTRIES LTD		LINDOLNSHIRE, TL 60059	
DECIMALS 06		599 BOND STREET		LIGHT BULB NO. 1638	
ANGULAR ± 0.5		DATE ± 1/64		TITLE	
FRACTIONAL		DRAWN ELIZABETH SOMANES 02/02/2001		SIZE FSCM NO.	
CHECKED		DATE		DWG NO.	
DESIGN		SCALE		PLOT SCALE	
MATERIAL		FILE		SHEET 1 OF 1	
		1638.pdf		DRAWING NOT TO SCALE	
				REV 1	

## Looking for pricing, stock, or lifecycle information?

Click below to explore more details on WIN SOURCE:

 [View 1638](#) on WIN SOURCE

 [CEC Industries](#) Information

## Optimize Your Supply Chain with WIN SOURCE Solutions

-  Global Sourcing Solution
-  Obsolete Management
-  Cost Control Management
-  Shortage Management
-  Alternative Solution
-  Excess Inventory Management