



Antenna Datasheet

Product OC (Antenna Only): YPGS001AA

Product OC (Antenna + Rectangular EVB): YPGS001AAEVB

Version: 2.2

Date: 2023-12-20

Status: Released

Product Name: Passive GNSS L1 Antenna

Key Features:

Frequency Band: 1559–1609 MHz

Dimensions: 7.0 mm × 5.8 mm × 0.8 mm

RoHS and REACH Compliant

Overview

This Quectel GNSS antenna adopts a diversity of forms to guarantee the most suitable polarization type. Quectel's positioning products support single-band or multi-band operation modes to meet various high-precision positioning requirements of customers' products. Quectel provides both passive and active antennas to satisfy the customer demand for high gain. Such antenna supports different installation or connection methods such as pin mount, surface mount, magnetic mount, internal cable, and external SMA. Customized connector type and cable length are provided according to requirements.

Contents

Overview	1
Contents	2
1 Specification	3
1.1. Electrical.....	3
1.2. Mechanical & Environmental	4
1.3. Supported GNSS Frequency Bands.....	5
2 Drawing	7
2.1. Antenna	7
2.2. Rectangular EVB.....	8
3 Detailed Performance	9
3.1. S-Parameter Test	9
3.1.1. VSWR.....	9
3.1.2. Return Loss	10
3.2. Radiation Performance Test.....	11
3.2.1. Efficiency	11
3.2.2. Peak Gain.....	12
3.2.3. 3D & 2D Radiation Pattern.....	13
4 Schematic Symbol and Pin Definition	15
5 Transmission Line	16
6 Recommended PCB Layout	17
7 Matching Circuit	19
8 Soldering Temperature	20
9 Reflow Profile	21
10 Packaging	22
Contact Us	26
Legal Notices	27
Revision History	29

1 Specification

Test Condition: with a ground plane (EVB size: 80 mm × 35 mm).

1.1. Electrical

Electrical	
Frequency Range	1559–1609 MHz
Impedance	50 Ω
Polarization	Linear
Radiation Pattern	Omni-directional

Band	GPS L5	GALILEO	GPS L2	GLONASS	BEIDOU	BEIDOU	GPS L1	
	GALILEO E5a	GALILEO E5b	GPS L2 QZSS L2C	GLONASS G2	BEIDOU B3	BEIDOU B1I	GALILEO E1	GLONASS G1
Frequency (MHz)	BEIDOU B2a-B2I	BEIDOU B2b					BEIDOU B1C	
	QZSS L5						QZSS L1	
	IRNSS L5							
	1176	1207	1227	1248	1268	1561	1575	1602
VSWR	-	-	-	-	-	1.3	1.2	1.6
Return Loss (dB)	-	-	-	-	-	-16.7	-18.9	-12.0
Efficiency (%)	-	-	-	-	-	51.0	52.9	54.0
Peak Gain (dBi)	-	-	-	-	-	1.5	1.6	1.7

1.2. Mechanical & Environmental

Mechanical	
Antenna Dimensions	7.0 mm × 5.8 mm × 0.8 mm
Material & Color	FR4 & Black
Mounting Type	SMD
Weight	YPGS001AA: Typ. 0.072 g
	YPGS001AAEVB: Typ. 2.6 g
Environmental	
Operation Temperature	-40 °C to +85 °C
Storage Temperature	-40 °C to +85 °C
RoHS and REACH Compliant	Yes

1.3. Supported GNSS Frequency Bands

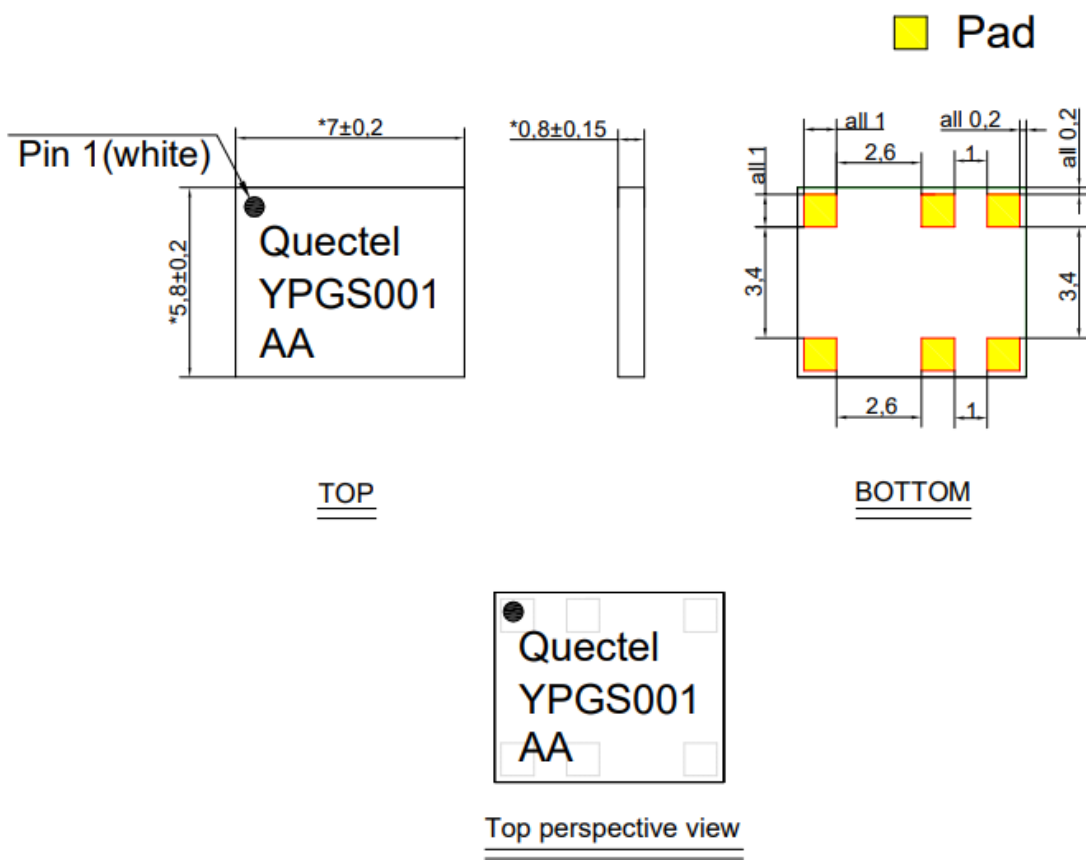
GNSS Frequency Bands (MHz)					
GPS	L1 Centre 1575.42 (1565–1586)	L2 Centre 1227.6 (1217–1238)	L5 Centre 1176.45 (1164–1189)		
	√	-	-		
GLONASS	G1-L10C-L10F Centre 1601 (1595–1606)	G2-L20C-L20F Centre 1248.06 (1241–1255)	G3-L30C Centre 1202.025 (1189–1213)		
	√	-	-		
GALILEO	E1 Centre 1575.42 (1563–1588)	E5a Centre 1176.45 (1166–1187)	E5b Centre 1207.14 (1197–1218)	E6 Centre 1278.75 (1258–1300)	
	√	-	-	-	
BEIDOU	B1I Centre 1561.098 (1559–1564)	B1C (BeiDou-3) Centre 1575.42 (1559–1592)	B2a-B2I Centre 1176.45 (1166–1187)	B2b Centre 1207.14 (1197–1217)	B3 Centre 1268.52 (1258–1279)
	√	√	-	-	-
QZSS	L1 Centre 1575.42 (1573–1578)	L2C Centre 1227.6 (1226–1229)	L5 Centre 1176.45 (1166–1187)	L6 Centre 1278.75 (1257–1300)	
	√	-	-	-	
IRNSS	L5 Centre 1176.45 (1164–1189)				
	-				

GNSS Bands and Constellations

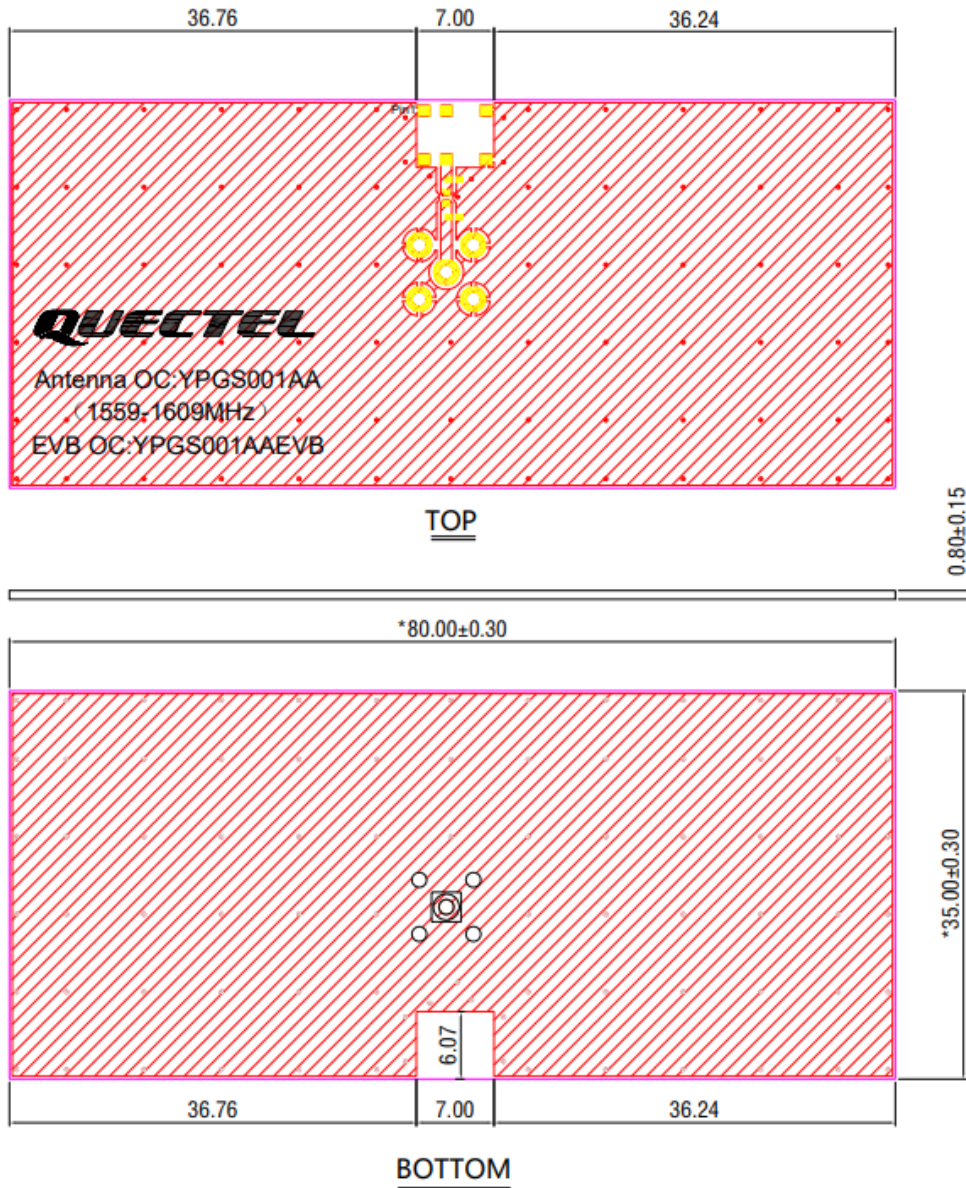


2 Drawing

2.1. Antenna



2.2. Rectangular EVB

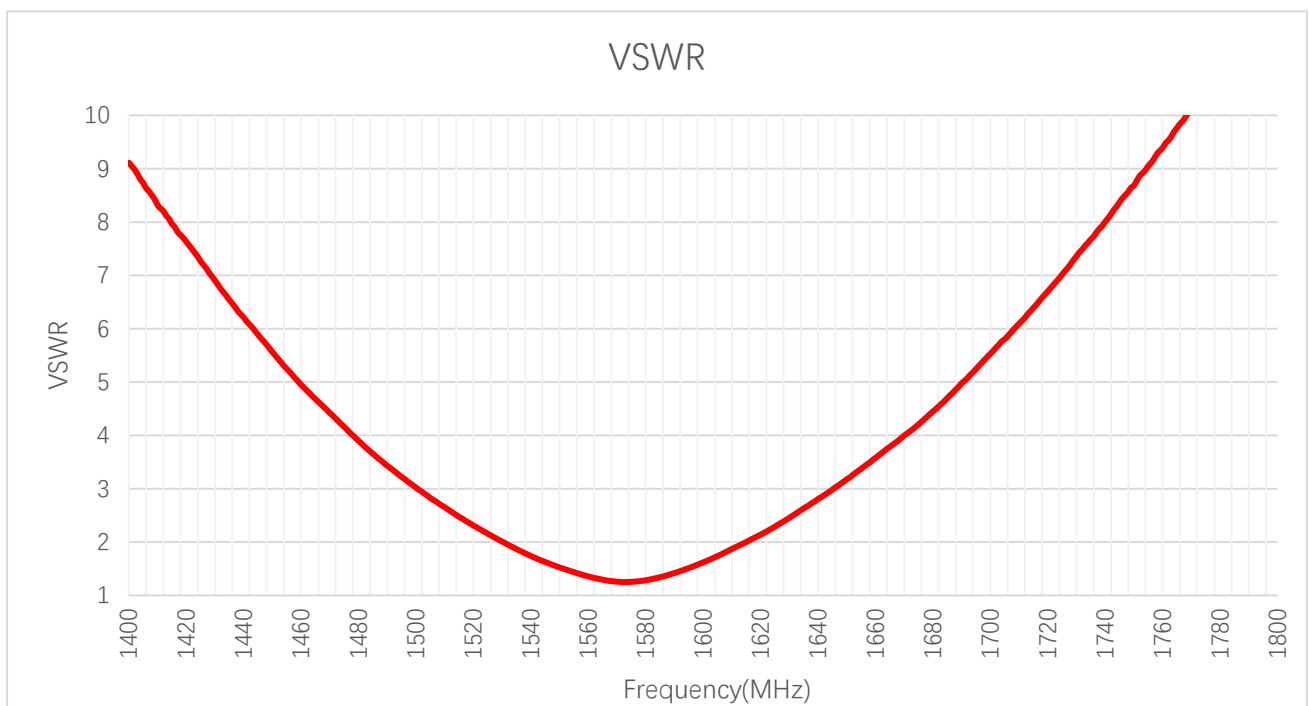


All dimensions are in mm.

3 Detailed Performance

3.1. S-Parameter Test

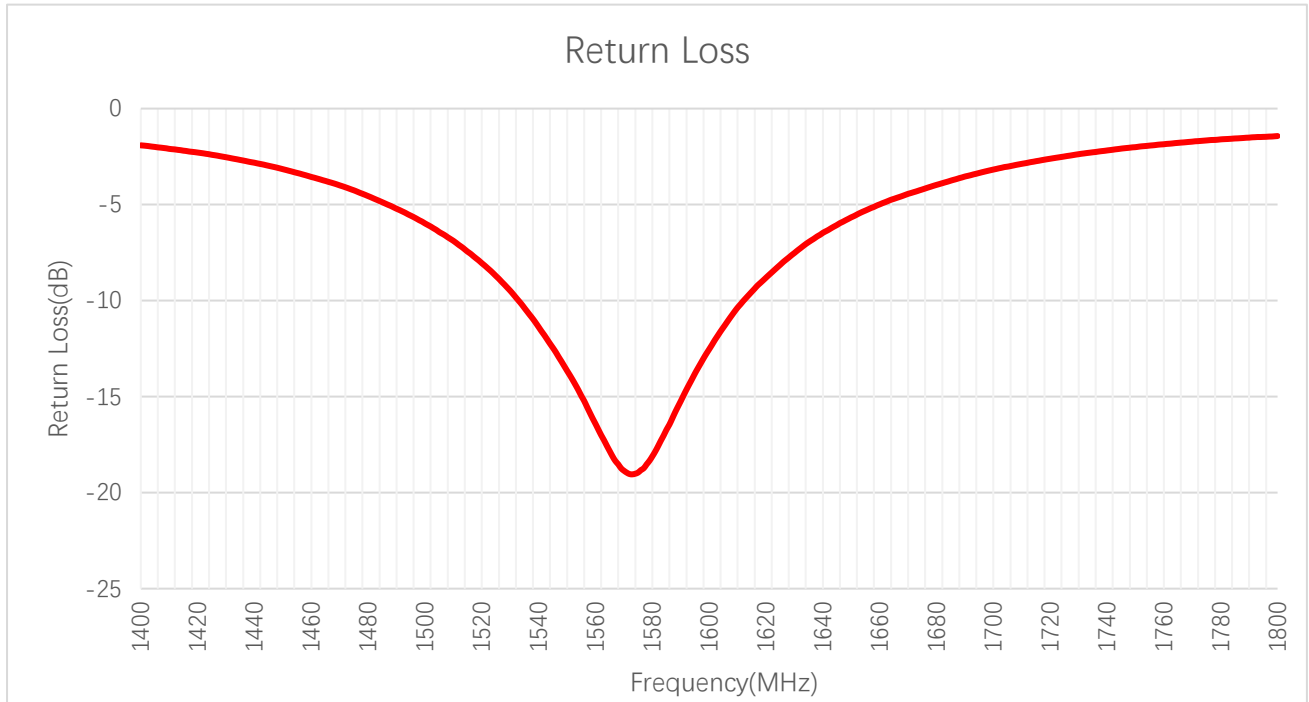
3.1.1. VSWR



VSWR

Frequency (MHz)	1176	1207	1227	1248	1268	1561	1575	1602
VSWR	-	-	-	-	-	1.3	1.2	1.6

3.1.2. Return Loss

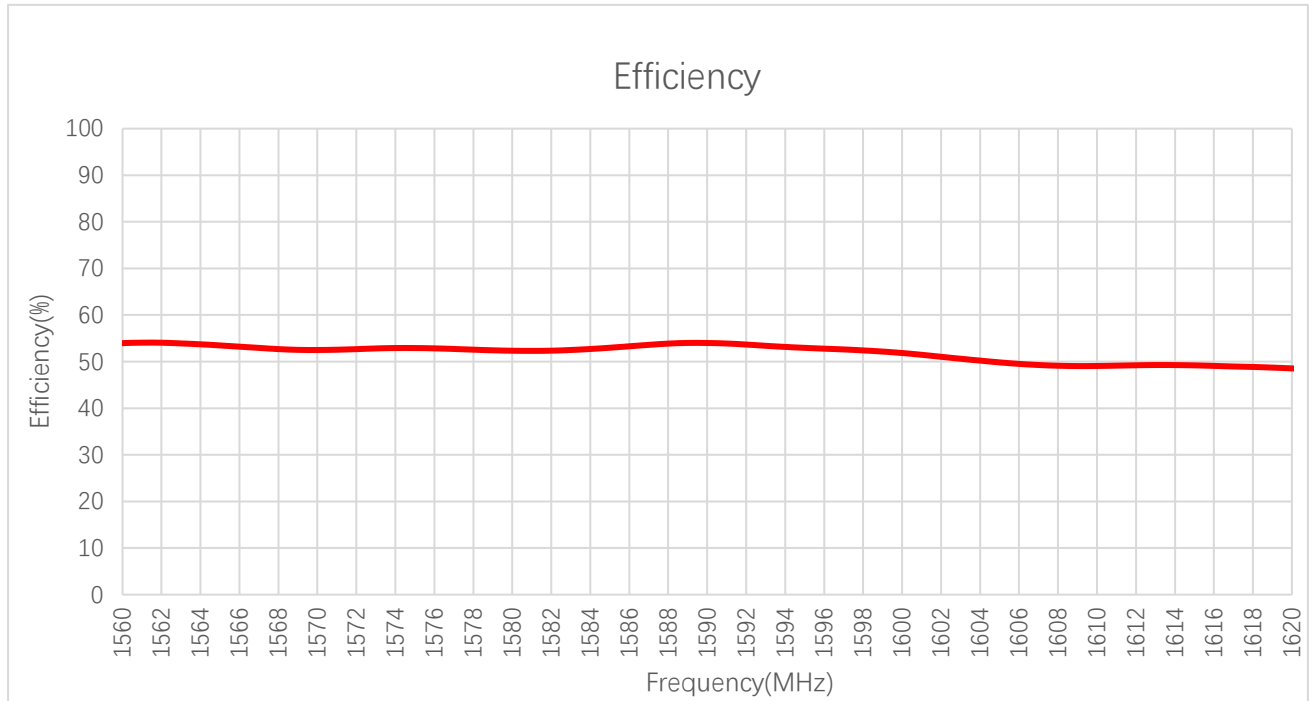


Return Loss (dB)

Frequency (MHz)	1176	1207	1227	1248	1268	1561	1575	1602
Return Loss (dB)	-	-	-	-	-	-16.7	-18.9	-12.0

3.2. Radiation Performance Test

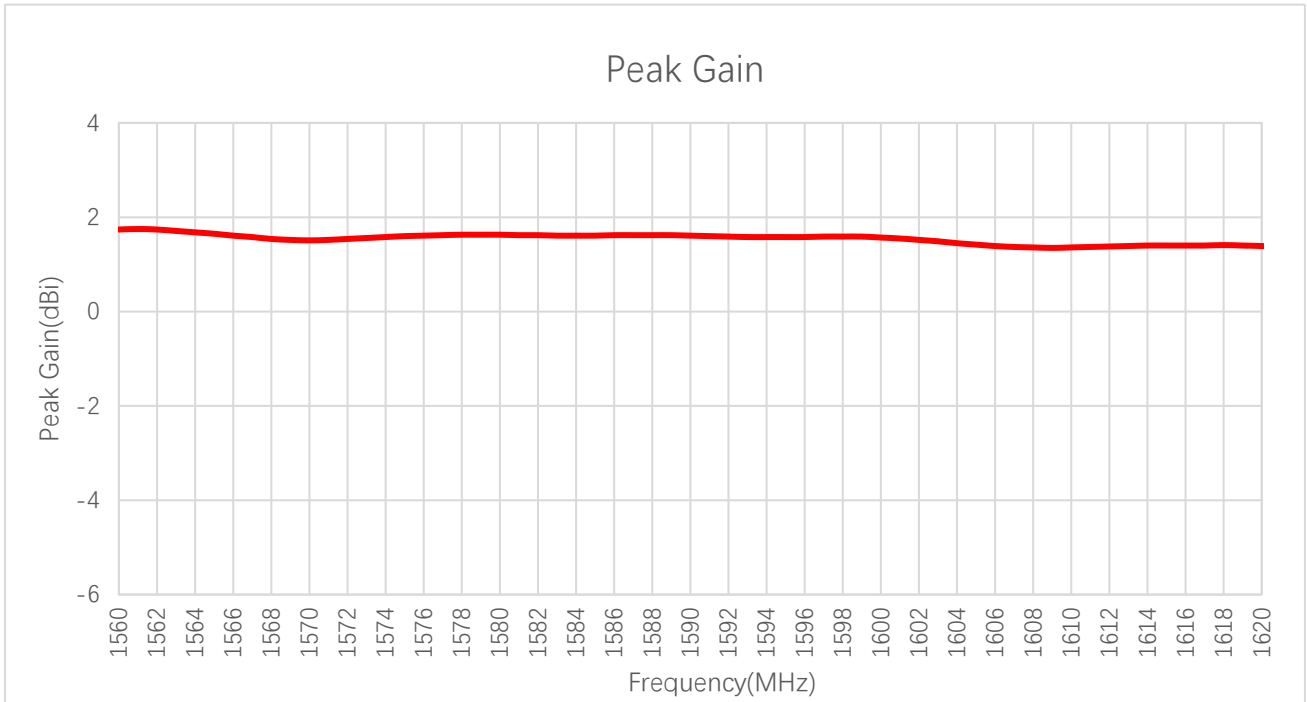
3.2.1. Efficiency



Efficiency (%)

Frequency (MHz)	1176	1207	1227	1248	1268	1561	1575	1602
Efficiency (%)	-	-	-	-	-	54.0	52.9	51.0

3.2.2. Peak Gain

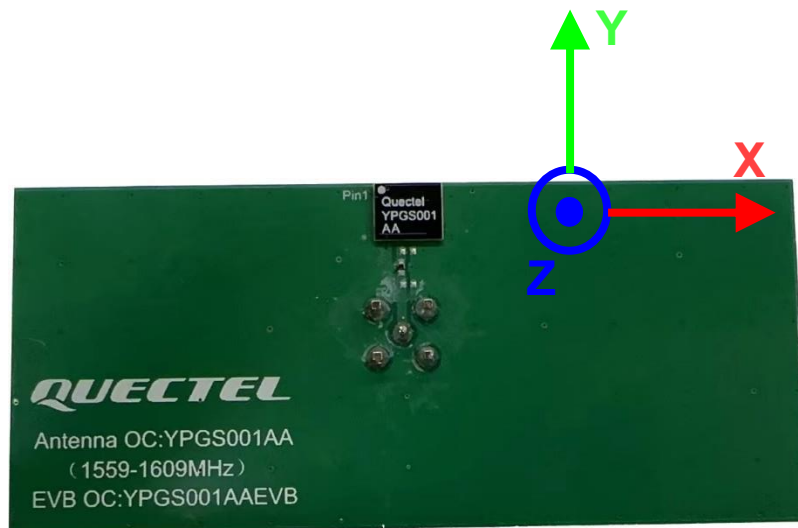


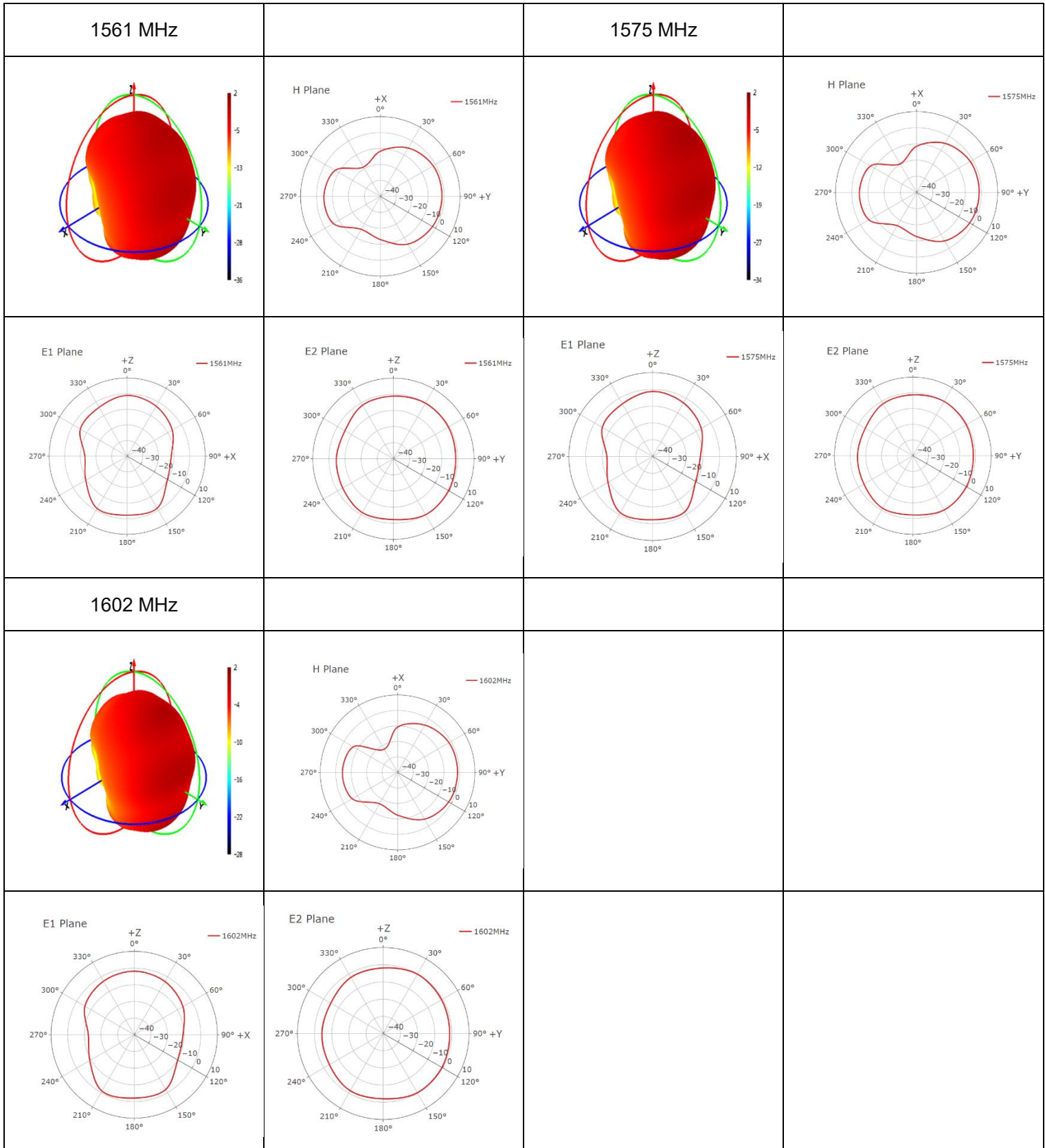
Peak Gain (dBi)

Frequency (MHz)	1176	1207	1227	1248	1268	1561	1575	1602
Peak Gain (dBi)	-	-	-	-	-	1.7	1.6	1.5

3.2.3. 3D & 2D Radiation Pattern

- Test Condition: with a ground plane (EVB size: 80 mm × 35 mm).
- Test Chamber: GL-S-1

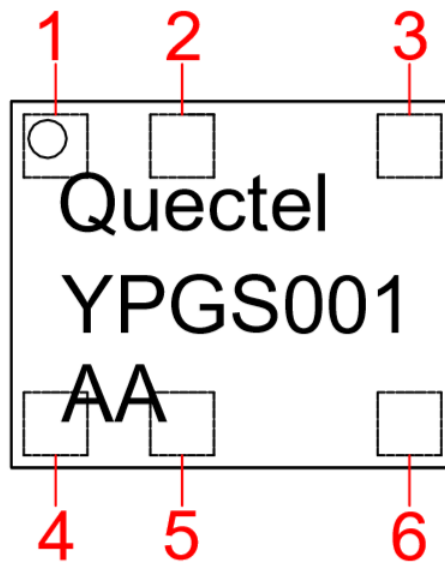




4 Schematic Symbol and Pin Definition

- The pin assignment for the antenna is as follows.
- The circuit symbol for the antenna is shown below. The antenna has 2 pins, only one of which works. All other pins are for mechanical strength.

Pin	Description
1	GND
2	Not used (Mechanical only)
3	GND
4	Not used (Mechanical only)
5	Feed
6	GND



Top perspective view

5 Transmission Line

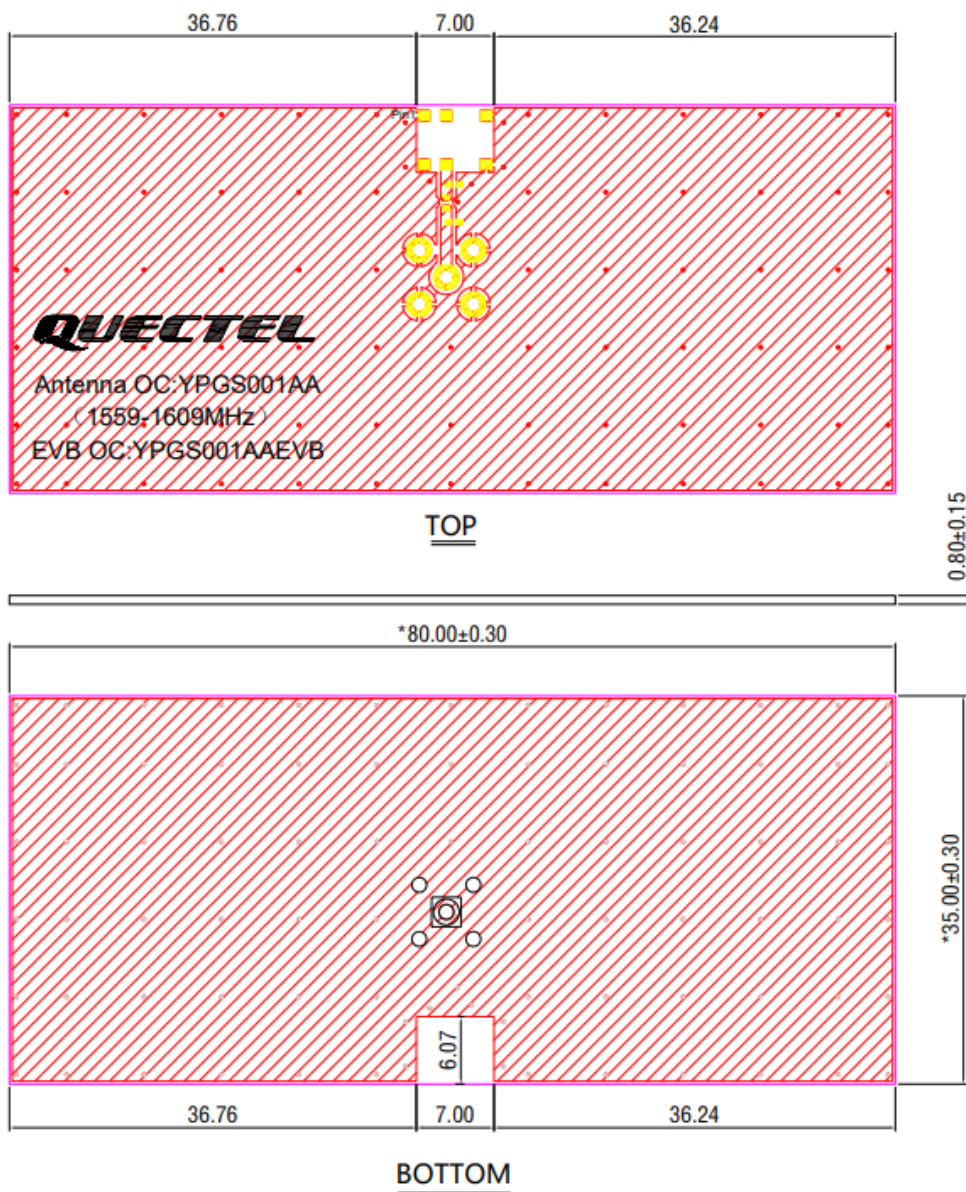
The characteristic impedance of all transmission lines shall be designed as 50 Ω .

- The length of the transmission lines should be kept as short as possible.
- Any other part of the RF system, such as transceiver, power amplifiers, etc., shall also be designed with an impedance of 50 Ω .

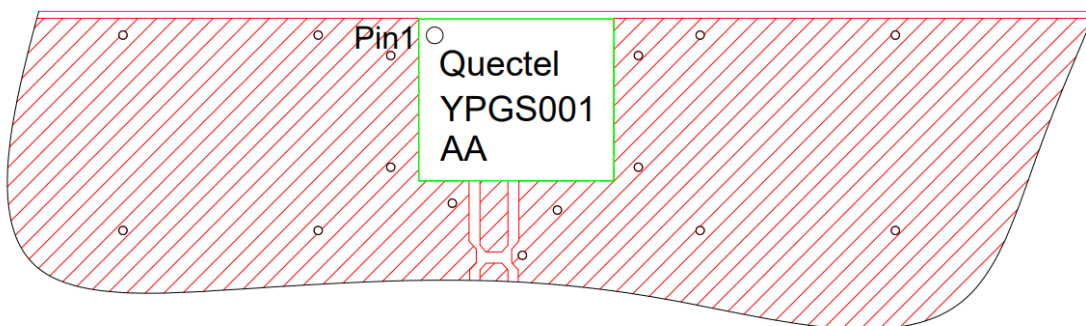
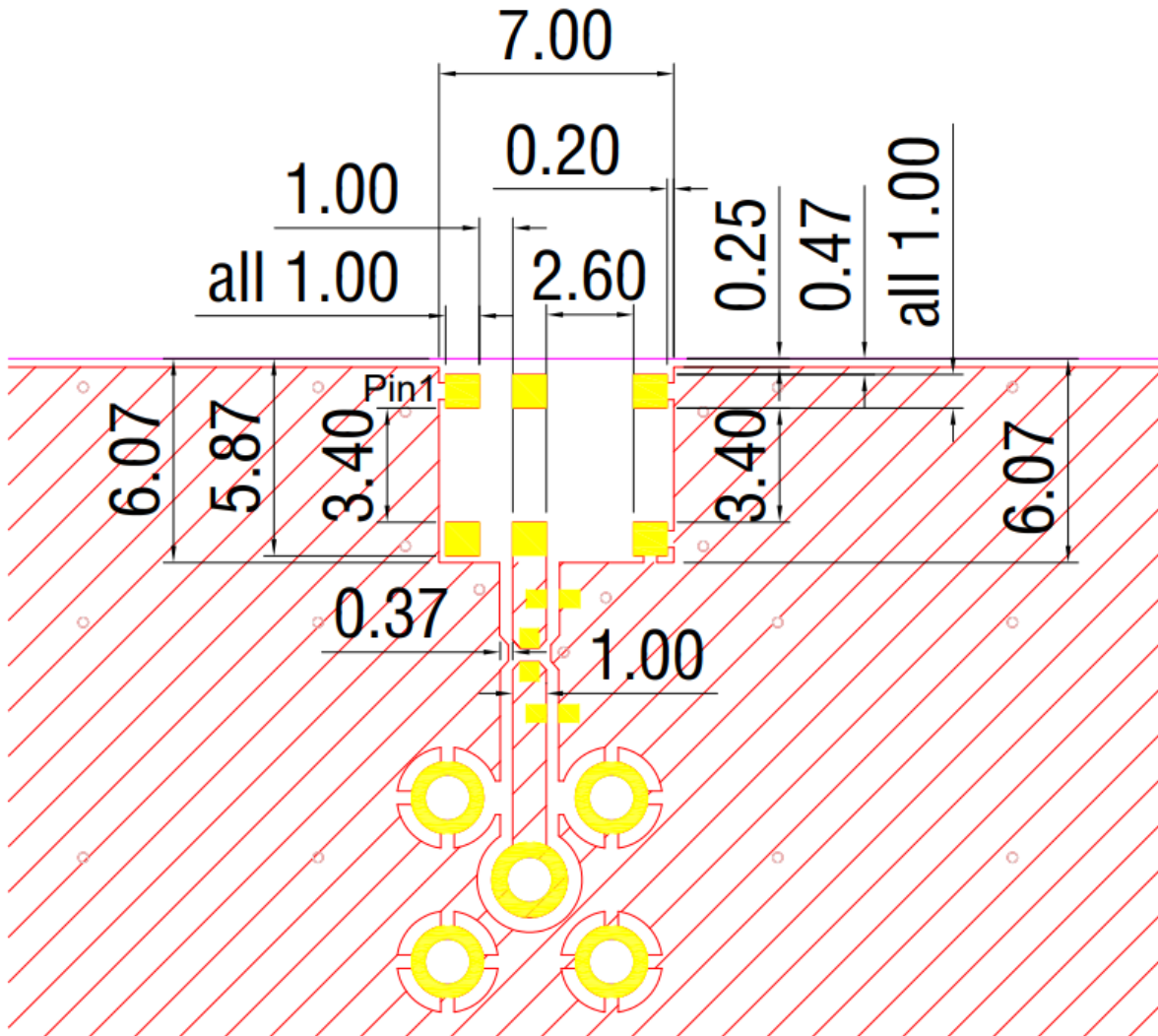
Once the material for the PCB has been chosen (PCB thickness and dielectric constant), a coplanar transmission line can easily be designed using any of the commercial software packages for transmission line design. For the chosen PCB thickness, copper thickness and substrate dielectric constant, the program will calculate the appropriate transmission line width and gaps on either side of the track so the characteristic impedance of the coplanar transmission is 50 Ω .

6 Recommended PCB Layout

The host PCB must be designed using the PCB footprint shown with the correct clearances. An example of the PCB layout shows the antenna footprint. Please note this clearance area is critical to the performance of the antenna and must be applied through all layers of the PCB.



Note: The white pad area at the Top and Bottom of the antenna is the clearance area.

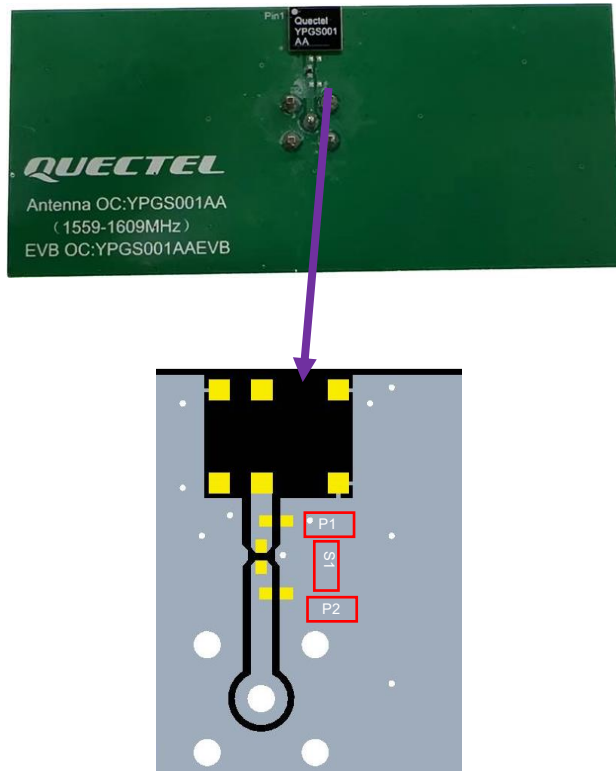


Antenna Position

All dimensions are in mm.

7 Matching Circuit

Demo Board Top View

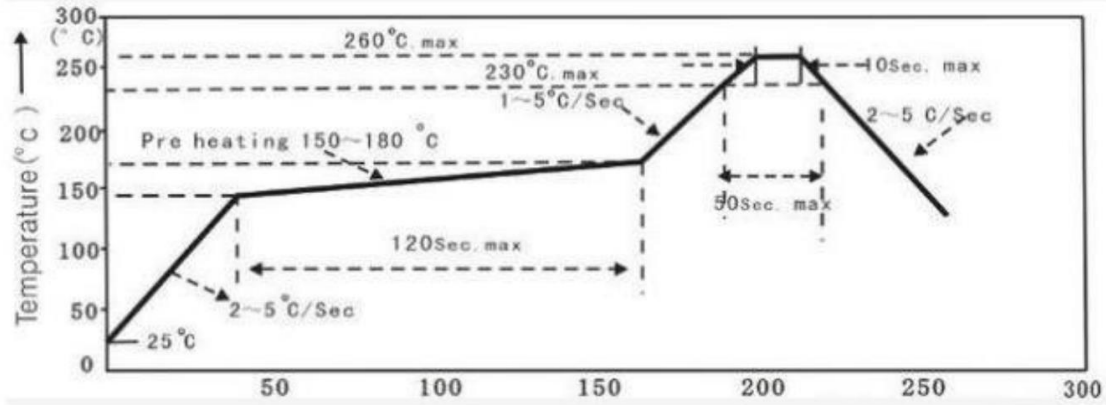


	P1	S1	P2
Default Matching	NA	0ohm	NA
Tolerance		±5 %	

8 Soldering Temperature

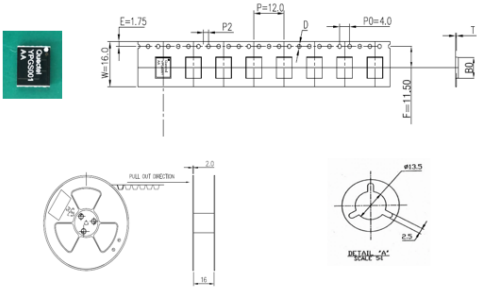
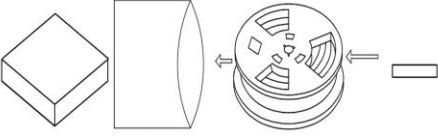
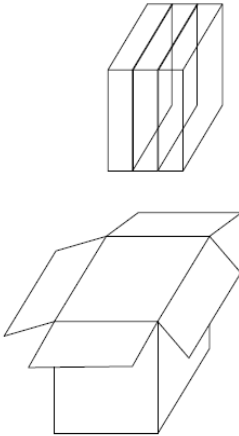
Phase	Profile Features	PB-Free Assembly
RAMP-UP	Avg. Ramp-up Rate (T _{smax} to T _p)	3 °C/second (Max.)
PREHEAT	Temperature Min (T _{smin}) Temperature Max (T _{smax}) Time (t _{smin} to t _{smax})	150 °C 180 °C 120 seconds (Max.)
REFLOW	Temperature (T _L) Total Time above T _L (t _l)	210 °C 50 seconds (Max.)
PEAK	Temperature (T _p) TIME (t _p)	260 °C 10 seconds (Max.)
RAMP-DOWN	Rate	5 °C/second (Max.)

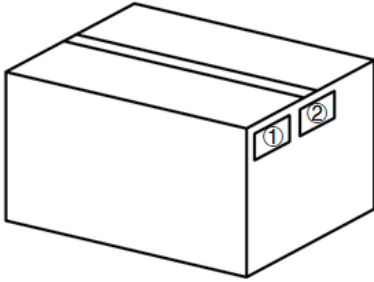
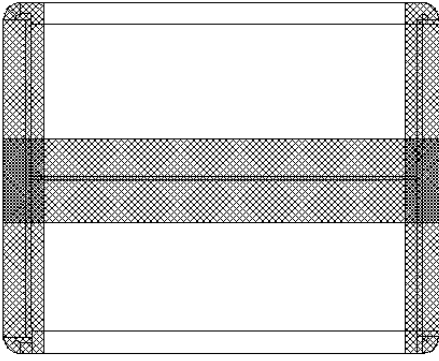
9 Reflow Profile





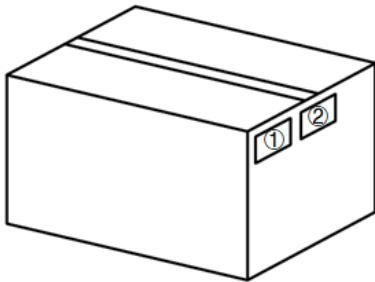
10 Packaging

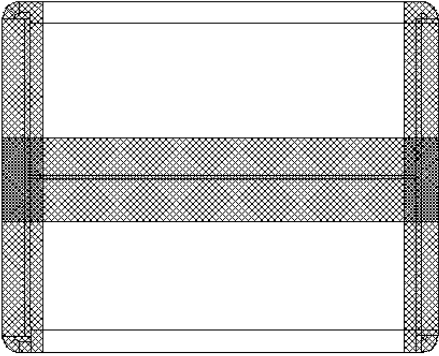
- YPGS001AA

Step	Packaging Picture / 2D Picture	Description
1		Product drawing
2		(4000 PCS Antenna Products / Reel) Reel tape is vacuumed into the inner box.
3		(3 Inner Boxes / Carton Box) (12000 pcs antennas per carton box) Estimated quantity Products that cannot fill the entire carton box are packed in a suitable size carton box. <u>Carton Size:</u> <u>L × W × H = 370 × 270 × 410 mm</u>

<p>4</p>		<p>Position for Attaching Labels</p> <ul style="list-style-type: none"> ① Carton Label ② Quality Label
<p>5</p>		<p>Sealing Cartons “I” type sealing cartons</p>
<p>6</p>	<p>The initial packaging method described above is for reference only, and the final actual packaging method shall be subject to the actual shipping packaging.</p>	

● YPGS001AAEVB

Step	Packaging Picture / 2D Picture	Description
1		<p>20 pcs antenna products in a PE bag. (20 PCS Antennas / PE Bag)</p>
2		<p>(8 PE Bags / Carton Box) (160 PCS Antennas / Carton Box)</p> <p><u>Carton Size:</u> <u>L × W × H = 405 × 293 × 185 mm</u></p>
3		<p>Position for Attaching Labels</p> <p>① Carton Label ② Quality Label</p>

4		<p>Sealing Cartons “I” type sealing cartons</p>
---	-----------------------------------------------------------------------------------	------------------------------------------------------------

Contact Us

At Quectel, our aim is to provide timely and comprehensive services to our customers. If you require any assistance, please contact our headquarters:

Quectel Wireless Solutions Co., Ltd.

Building 5, Shanghai Business Park Phase III (Area B), No.1016 Tianlin Road, Minhang District, Shanghai 200233, China

Tel: +86 21 5108 6236

Email: info@quectel.com

Or our local offices. For more information, please visit:

<http://www.quectel.com/support/sales.htm>.

For technical support, or to report documentation errors, please visit:

<http://www.quectel.com/support/technical.htm>.

Or email us at: support@quectel.com.

Legal Notices

We offer information as a service to you. The provided information is based on your requirements and we make every effort to ensure its quality. You agree that you are responsible for using independent analysis and evaluation in designing intended products, and we provide reference designs for illustrative purposes only. Before using any hardware, software or service guided by this document, please read this notice carefully. Even though we employ commercially reasonable efforts to provide the best possible experience, you hereby acknowledge and agree that this document and related services hereunder are provided to you on an “as available” basis. We may revise or restate this document from time to time at our sole discretion without any prior notice to you.

Use and Disclosure Restrictions

License Agreements

Documents and information provided by us shall be kept confidential, unless specific permission is granted. They shall not be accessed or used for any purpose except as expressly provided herein.

Copyright

Our and third-party products hereunder may contain copyrighted material. Such copyrighted material shall not be copied, reproduced, distributed, merged, published, translated, or modified without prior written consent. We and the third party have exclusive rights over copyrighted material. No license shall be granted or conveyed under any patents, copyrights, trademarks, or service mark rights. To avoid ambiguities, purchasing in any form cannot be deemed as granting a license other than the normal non-exclusive, royalty-free license to use the material. We reserve the right to take legal action for noncompliance with abovementioned requirements, unauthorized use, or other illegal or malicious use of the material.

Trademarks

Except as otherwise set forth herein, nothing in this document shall be construed as conferring any rights to use any trademark, trade name or name, abbreviation, or counterfeit product thereof owned by Quectel or any third party in advertising, publicity, or other aspects.

Third-Party Rights

This document may refer to hardware, software and/or documentation owned by one or more third parties (“third-party materials”). Use of such third-party materials shall be governed by all restrictions and obligations applicable thereto.

We make no warranty or representation, either express or implied, regarding the third-party materials, including but not limited to any implied or statutory, warranties of merchantability or fitness for a particular purpose, quiet enjoyment, system integration, information accuracy, and non-infringement of any third-party intellectual property rights with regard to the licensed technology or use thereof. Nothing herein constitutes a representation or warranty by us to either develop, enhance, modify, distribute, market, sell, offer for sale, or otherwise maintain production of any our products or any other hardware, software, device, tool, information, or product. We moreover disclaim any and all warranties arising from the course of dealing or usage of trade.

Privacy Policy

To implement module functionality, certain device data are uploaded to Quectel's or third-party's servers, including carriers, chipset suppliers or customer-designated servers. Quectel, strictly abiding by the relevant laws and regulations, shall retain, use, disclose or otherwise process relevant data for the purpose of performing the service only or as permitted by applicable laws. Before data interaction with third parties, please be informed of their privacy and data security policy.

Disclaimer

- a) We acknowledge no liability for any injury or damage arising from the reliance upon the information.
- b) We shall bear no liability resulting from any inaccuracies or omissions, or from the use of the information contained herein.
- c) While we have made every effort to ensure that the functions and features under development are free from errors, it is possible that they could contain errors, inaccuracies, and omissions. Unless otherwise provided by valid agreement, we make no warranties of any kind, either implied or express, and exclude all liability for any loss or damage suffered in connection with the use of features and functions under development, to the maximum extent permitted by law, regardless of whether such loss or damage may have been foreseeable.
- d) We are not responsible for the accessibility, safety, accuracy, availability, legality, or completeness of information, advertising, commercial offers, products, services, and materials on third-party websites and third-party resources.

Copyright © Quectel Wireless Solutions Co., Ltd. 2023. All rights reserved.

Revision History



Version	Date	Author	Note
-	2021-12-14	Kenny YIN/ Xiaodong YANG	Creation of the document
1.0	2022-01-04	Kenny YIN/ Xiaodong YANG	First official release
2.0	2023-07-19	Damon ZHANG/ Kenny YIN/ David LIU/ Aria CHU	Updated all test data in this datasheet.
2.1	2023-12-05	Lucky FENG/ Aria CHU	Added REACH compliant (Chapter 1.2).
2.2	2023-12-20	Lucky FENG	Updated test data (Chapters 2.2 and 6).

QUECTEL







www.quectel.com

Looking for pricing, stock, or lifecycle information?

Click below to explore more details on WIN SOURCE:

-  [View YPGS001AA on WIN SOURCE](#)
-  [Quectel Information](#)

Optimize Your Supply Chain with WIN SOURCE Solutions

-  Global Sourcing Solution
-  Obsolete Management
-  Cost Control Management
-  Shortage Management
-  Alternative Solution
-  Excess Inventory Management