



**THE DATASHEET OF
ISL6545AIRZ-T**



5V or 12V Single Synchronous Buck Pulse-Width Modulation (PWM) Controller

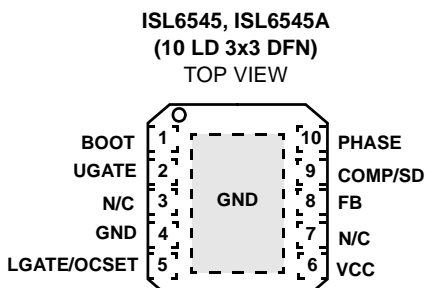
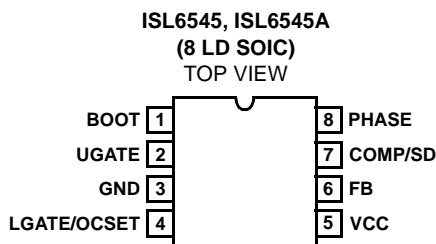
The ISL6545, ISL6545A makes simple work out of implementing a complete control and protection scheme for a DC/DC stepdown converter driving N-Channel MOSFETs in a synchronous buck topology. Since it can work with either 5V or 12V supplies, this one IC can be used in a wide variety of applications within a system. The ISL6545, ISL6545A (hereafter referred to as “ISL6545x”, except as needed) integrates the control, gate drivers, output adjustment, monitoring and protection functions into a single 8 Ld SOIC or 10 Ld DFN package.

The ISL6545x provides single feedback loop, voltage-mode control with fast transient response. The output voltage can be precisely regulated to as low as 0.6V, with a maximum tolerance of $\pm 1.0\%$ over-temperature and line voltage variations. A selectable fixed frequency oscillator (ISL6545 for 300kHz; ISL6545A for 600kHz) reduces design complexity, while balancing typical application cost and efficiency.

The error amplifier features a 20MHz gain-bandwidth product and 9V/ μ s slew rate which enables high converter bandwidth for fast transient performance. The resulting PWM duty cycles range from 0% to 100%.

Protection from overcurrent conditions is provided by monitoring the $r_{DS(ON)}$ of the lower MOSFET to inhibit PWM operation appropriately. This approach simplifies the implementation and improves efficiency by eliminating the need for a current sense resistor.

Pinout



Features

- Operates from +5V or +12V Supply Voltage (for bias)
 - 1.0V to 12V V_{IN} Input Range (up to 20V possible with restrictions; see Input Voltage Considerations)
 - 0.6V to V_{IN} Output Range
 - Integrated Gate Drivers use V_{CC} (5V to 12V)
 - 0.6V Internal Reference; $\pm 1.0\%$ tolerance
- Simple Single-Loop Control Design
 - Voltage-Mode PWM Control
 - Drives N-Channel MOSFETs
 - Traditional Dual Edge Modulator
- Fast Transient Response
 - High-Bandwidth Error Amplifier
 - Full 0% to 100% Duty Cycle
- Lossless, Programmable Overcurrent Protection
 - Uses Lower MOSFET's $r_{DS(ON)}$
- Small Converter Size in 8 Ld SOIC or 10 Ld DFN
 - 300kHz or 600kHz Fixed Frequency Oscillator
 - Fixed Internal Soft-Start, Capable into a Pre-biased Load
 - Integrated Boot Diode
 - Enable/Shutdown Function on COMP/SD Pin
 - Output Current Sourcing and Sinking
- Pb-Free (RoHS Compliant)

Applications

- Power Supplies for Microprocessors or Peripherals
 - PCs, Embedded Controllers, Memory Supplies
 - DSP and Core Communications Processor Supplies
- Subsystem Power Supplies
 - PCI, AGP; Graphics Cards; Digital TV
 - SSTL-2 and DDR/DDR2/DDR3 SDRAM Bus Termination Supply
- Cable Modems, Set Top Boxes, and DSL Modems
- Industrial Power Supplies; General Purpose Supplies
- 5V or 12V-Input DC/DC Regulators
- Low-Voltage Distributed Power Supplies

Ordering Information

PART NUMBER (Notes 1, 2, 3)	PART MARKING	FIXED FREQUENCY OSCILLATOR (kHz)	TEMP. RANGE (°C)	PACKAGE (Pb-Free)	PKG. DWG. #
ISL6545CBZ	6545 CBZ	300	0 to +70	8 Ld SOIC	M8.15
ISL6545ACBZ	6545 ACBZ	600	0 to +70	8 Ld SOIC	M8.15
ISL6545IBZ	6545 IBZ	300	-40 to +85	8 Ld SOIC	M8.15
ISL6545AIBZ	6545 AIBZ	600	-40 to +85	8 Ld SOIC	M8.15
ISL6545CRZ	545Z	300	0 to +70	10 Ld DFN	L10.3x3C
ISL6545ACRZ	45AZ	600	0 to +70	10 Ld DFN	L10.3x3C
ISL6545IRZ	45IZ	300	-40 to +85	10 Ld DFN	L10.3x3C
ISL6545AIRZ	5ARZ	600	-40 to +85	10 Ld DFN	L10.3x3C

NOTES:

1. Add "-T*" suffix for tape and reel. Please refer to [TB347](#) for details on reel specifications.
2. These Intersil Pb-free plastic packaged products employ special Pb-free material sets, molding compounds/die attach materials, and 100% matte tin plate plus anneal (e3 termination finish, which is RoHS compliant and compatible with both SnPb and Pb-free soldering operations). Intersil Pb-free products are MSL classified at Pb-free peak reflow temperatures that meet or exceed the Pb-free requirements of IPC/JEDEC J STD-020.
3. For Moisture Sensitivity Level (MSL), please see device information page for [ISL6545](#), [ISL6545A](#). For more information on MSL please see techbrief [TB363](#).

Absolute Maximum Ratings

Supply Voltage, V_{CC}	GND - 0.3V to 15V
BOOT Voltage, V_{BOOT}	GND - 0.3V to 36V
UGATE Voltage V_{UGATE}	$V_{PHASE} - 0.3V$ to $V_{BOOT} + 0.3V$ $V_{PHASE} - 3.5V$ (<100ns Pulse Width, 2 μ J) to $V_{BOOT} + 0.3V$
LGATE/OCSET Voltage, $V_{LGATE/OCSET}$	GND - 0.3V to $V_{CC} + 0.3V$ GND - 5V (<100ns Pulse Width, 2 μ J) to $V_{CC} + 0.3V$
PHASE Voltage, V_{PHASE}	GND - 0.3V to $V_{BOOT} + 0.3V$ GND - 8V (<400ns, 20 μ J) to 30V (<200ns, $V_{BOOT}-GND < 36V$)
Upper Driver Supply Voltage, $V_{BOOT} - V_{PHASE}$	15V -0.3V to 16V (<10ns, 10 μ J)
Clamp Voltage, $V_{BOOT} - V_{CC}$	24V
FB, COMP/SD Voltage	GND - 0.3V to 6V
ESD Ratings	
Human Body Model	1.5kV
Machine Model	150V
Charged Device Model	1.0kV

Thermal Information

Thermal Resistance	θ_{JA} (°C/W)	θ_{JC} (°C/W)
SOIC Package (Note 4)	95	N/A
DFN Package (Notes 5, 6)	44	5.5
Maximum Junction Temperature		
(Plastic Package)	+150°C	
Maximum Storage Temperature Range	-65°C to +150°C	
Pb-free Reflow Profile	see link below	
http://www.intersil.com/pbfree/Pb-FreeReflow.asp		

Operating Conditions

Supply Voltage, V_{CC}	+5V \pm 10%, +12V \pm 20%, or 6.5V to 14.4V
Ambient Temperature Range	
ISL6545C, ISL6545AC	0°C to +70°C
ISL6545I, ISL6545AI	-40°C to +85°C
Junction Temperature Range	-40°C to +125°C

CAUTION: Do not operate at or near the maximum ratings listed for extended periods of time. Exposure to such conditions may adversely impact product reliability and result in failures not covered by warranty.

NOTES:

- θ_{JA} is measured with the component mounted on a high effective thermal conductivity test board in free air. See Tech Brief [TB379](#) for details.
- θ_{JA} is measured with the component mounted on a high effective thermal conductivity test board in free air, with “direct attach” features. See Tech Brief [TB379](#) for details.
- For θ_{JC} , the “case temp” location is the center of the exposed metal pad on the package underside.

Electrical Specifications $V_{CC} = 12V, T_J = 0$ to +85°C. **Boldface limits apply over the operating temperature range, -40°C to +85°C.**

PARAMETER	SYMBOL	TEST CONDITIONS	MIN (Note 7)	TYP	MAX (Note 7)	UNITS
V_{CC} SUPPLY CURRENT						
Input Bias Supply Current	I_{VCC}	$V_{CC} = 12V$; disabled	4	5.2	7	mA
POWER-ON RESET						
Rising V_{CC} POR Threshold	V_{POR}		3.9	4.1	4.3	V
V_{CC} POR Threshold Hysteresis			0.30	0.35	0.40	V
OSCILLATOR						
Switching Frequency	f_{OSC}	ISL6545C	270	300	330	kHz
		ISL6545I	240	300	330	kHz
	f_{OSC}	ISL6545AC	540	600	660	kHz
		ISL6545AI	510	600	660	kHz
Ramp Amplitude	ΔV_{OSC}		1.5		V_{P-P}	
REFERENCE						
Reference Voltage Tolerance		ISL6545C	-1.0	-	+1.0	%
		ISL6545I	-1.5	-	+1.5	%
Nominal Reference Voltage	V_{REF}			0.600		V
ERROR AMPLIFIER						
DC Gain	GAIN			96		dB
Gain-Bandwidth Product	GBWP			20		MHz
Slew Rate	SR			9		V/ μ s
GATE DRIVERS						
Upper Gate Source Impedance	$R_{UG-SRCh}$	$V_{CC} = 14.5V; I = 50mA$		3.0		Ω
Upper Gate Sink Impedance	$R_{UG-SNKh}$	$V_{CC} = 14.5V; I = 50mA$		2.7		Ω
Lower Gate Source Impedance	$R_{LG-SRCh}$	$V_{CC} = 14.5V; I = 50mA$		2.4		Ω
Lower Gate Sink Impedance	$R_{LG-SNKh}$	$V_{CC} = 14.5V; I = 50mA$		2.0		Ω

Electrical Specifications $V_{CC} = 12V$, $T_J = 0$ to $+85^\circ C$. **Boldface limits apply over the operating temperature range, $-40^\circ C$ to $+85^\circ C$.** (Continued)

PARAMETER	SYMBOL	TEST CONDITIONS	MIN (Note 7)	TYP	MAX (Note 7)	UNITS
Upper Gate Source Impedance	$R_{UG-SRCI}$	$V_{CC} = 4.25V$; $I = 50mA$		3.5		Ω
Upper Gate Sink Impedance	$R_{UG-SNKI}$	$V_{CC} = 4.25V$; $I = 50mA$		2.7		Ω
Lower Gate Source Impedance	$R_{LG-SRCI}$	$V_{CC} = 4.25V$; $I = 50mA$		2.75		Ω
Lower Gate Sink Impedance	$R_{LG-SNKI}$	$V_{CC} = 4.25V$; $I = 50mA$		2.1		Ω
PROTECTION/DISABLE						
OCSET Current Source	I_{OCSET}	ISL6545C; LGATE/OCSET = 0V	19.5	21.5	23.5	μA
		ISL6545I; LGATE/OCSET = 0V	18.0	21.5	23.5	μA
Disable Threshold (COMP/SD pin)	$V_{DISABLE}$		0.375	0.400	0.425	V

NOTE:

7. Compliance to datasheet limits is assured by one or more methods: production test, characterization and/or design.

Functional Pin Description (SOIC, DFN)

VCC (SOIC Pin 5, DFN Pin 6)

This pin provides the bias supply for the ISL6545x, as well as the lower MOSFET's gate, and the BOOT voltage for the upper MOSFET's gate. An internal 5V regulator will supply bias if V_{CC} rises above 6.5V (but the LGATE/OCSET and BOOT will still be sourced by V_{CC}). Connect a well-decoupled 5V or 12V supply to this pin.

FB (SOIC Pin 6, DFN Pin 8)

This pin is the inverting input of the internal error amplifier. Use FB, in combination with the COMP/SD pin, to compensate the voltage-control feedback loop of the converter. A resistor divider from the output to GND is used to set the regulation voltage.

GND (SOIC Pin 3, DFN Pin 4)

This pin represents the signal and power ground for the IC. Tie this pin to the ground island/plane through the lowest impedance connection available. For the DFN package, Pin 4 MUST be connected for electrical GND; the metal pad under the package should also be connected to the GND plane for thermal conductivity.

PHASE (SOIC Pin 8, DFN Pin 10)

Connect this pin to the source of the upper MOSFET, and the drain of the lower MOSFET. It is used as the sink for the UGATE driver, and to monitor the voltage drop across the lower MOSFET for overcurrent protection. This pin is also monitored by the adaptive shoot-through protection circuitry to determine when the upper MOSFET has turned off.

UGATE (SOIC Pin 2, DFN Pin 2)

Connect this pin to the gate of upper MOSFET; it provides the PWM-controlled gate drive. It is also monitored by the adaptive shoot-through protection circuitry to determine when the upper MOSFET has turned off.

BOOT (SOIC Pin 1, DFN Pin 1)

This pin provides ground referenced bias voltage to the upper MOSFET driver. A bootstrap circuit is used to create a voltage

suitable to drive an N-channel MOSFET (equal to V_{CC} minus the on-chip BOOT diode voltage drop), with respect to PHASE.

COMP/SD (SOIC Pin 7, DFN Pin 9)

This is a multiplexed pin. During soft-start and normal converter operation, this pin represents the output of the error amplifier. Use COMP/SD, in combination with the FB pin, to compensate the voltage-control feedback loop of the converter.

Pulling COMP/SD low ($V_{DISABLE} = 0.4V$ nominal) will shut-down (disable) the controller, which causes the oscillator to stop, the LGATE and UGATE outputs to be held low, and the soft-start circuitry to re-arm. The external pull-down device will initially need to overcome up to 5mA of COMP/SD output current. However, once the IC is disabled, the COMP output will also be disabled, so only a 20 μA current source will continue to draw current.

When the pull-down device is released, the COMP/SD pin will start to rise, at a rate determined by the 20 μA charging up the capacitance on the COMP/SD pin. When the COMP/SD pin rises above the $V_{DISABLE}$ trip point, the ISL6545x will begin a new Initialization and soft-start cycle.

LGATE/OCSET (SOIC Pin 4, DFN Pin 5)

Connect this pin to the gate of the lower MOSFET; it provides the PWM-controlled gate drive (from V_{CC}). This pin is also monitored by the adaptive shoot-through protection circuitry to determine when the lower MOSFET has turned off.

During a short period of time following Power-On Reset (POR) or shut-down release, this pin is also used to determine the overcurrent threshold of the converter. Connect a resistor (R_{OCSET}) from this pin to GND. See "Overcurrent Protection (OCP)" on page 7 for equations. An overcurrent trip cycles the soft-start function, after two dummy soft-start time-outs. Some of the text describing the LGATE function may leave off the OCSET part of the name, when it is not relevant to the discussion.

N/C (DFN only; Pin 3, Pin 7)

These two pins in the DFN package are No Connect.

Functional Description

Initialization (POR and OCP Sampling)

Figure 1 shows a simplified timing diagram. The Power-On-Reset (POR) function continually monitors the bias voltage at the VCC pin. Once the rising POR threshold is exceeded (VPOR ~4V nominal), the POR function initiates the Overcurrent Protection (OCP) sample and hold operation (while COMP/SD is ~1V). When the sampling is complete, VOUT begins the soft-start ramp.

If the COMP/SD pin is held low during power-up, that will just delay the initialization until it is released, and the COMP/SD voltage is above the VDISABLE trip point.

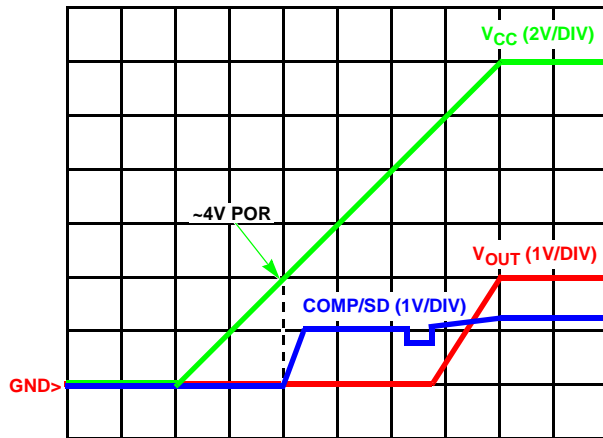


FIGURE 1. POR AND SOFT-START OPERATION

Figure 2 shows a typical power-up sequence in more detail. The initialization starts at T0, when either VCC rises above VPOR, or the COMP/SD pin is released (after POR). The COMP/SD will be pulled up by an internal 20µA current source, but the timing will not begin until the COMP/SD exceeds the VDISABLE trip point (at t1). The external capacitance of the disabling device, as well as the compensation capacitors, will determine how quickly the 20µA current source will charge the COMP/SD pin. With typical values, it should add a small delay compared to the soft-start times. The COMP/SD will continue to ramp to ~1V.

From t1, there is a nominal 6.8ms delay, which allows the VCC pin to exceed 6.5V (if rising up towards 12V), so that the internal bias regulator can turn on cleanly. At the same time, the LGATE/OCSET pin is initialized, by disabling the LGATE driver and drawing IOCSET (nominal 21.5µA) through ROCSET. This sets up a voltage that will represent the OCSET trip point. At t2, there is a variable time period for the OCP sample and hold operation (0ms to 3.4ms nominal; the longer time occurs with the higher overcurrent setting). The sample and hold uses a digital counter and DAC to save the voltage, so the stored value does not degrade, for as long as the VCC is above VPOR. See "Overcurrent Protection (OCP)" on page 7 for more details on the equations and variables. Upon the completion of sample and hold at t3, the

soft-start operation is initiated, and the output voltage ramps up between t4 and t5.

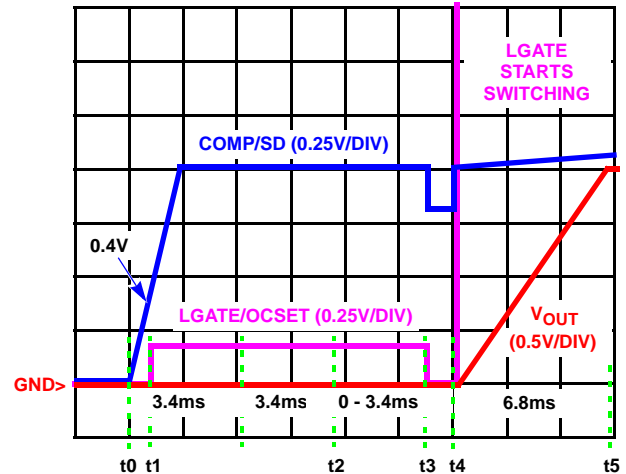


FIGURE 2. LGATE/OCSET AND SOFT-START OPERATION

Soft-Start and Pre-Biased Outputs

Functionally, the soft-start internally ramps the reference on the non-inverting terminal of the error amp from 0V to 0.6V in a nominal 6.8ms. The output voltage will thus follow the ramp, from zero to final value, in the same 6.8ms (the actual ramp seen on the VOUT will be less than the nominal time, due to some initialization timing, between t3 and t4).

The ramp is created digitally, so there will be 64 small discrete steps. There is no simple way to change this ramp rate externally, and it is the same for either frequency version of the IC (300kHz or 600kHz).

After an initialization period (t3 to t4), the error amplifier (COMP/SD pin) is enabled, and begins to regulate the converter's output voltage during soft-start. The oscillator's triangular waveform is compared to the ramping error amplifier voltage. This generates PHASE pulses of increasing width that charge the output capacitors. When the internally generated soft-start voltage exceeds the reference voltage (0.6V), the soft-start is complete, and the output should be in regulation at the expected voltage. This method provides a rapid and controlled output voltage rise; there is no large inrush current charging the output capacitors. The entire start-up sequence from POR typically takes up to 17ms; up to 10.2ms for the delay and OCP sample, and 6.8ms for the soft-start ramp.

Figure 3 shows the normal curve in blue; initialization begins at t0, and the output ramps between t1 and t2. If the output is pre-biased to a voltage less than the expected value, as shown by the magenta curve, the ISL6545x will detect that condition. Neither MOSFET will turn on until the soft-start ramp voltage exceeds the output; VOUT starts seamlessly ramping from there. If the output is pre-biased to a voltage above the expected value, as in the red curve, neither MOSFET will turn on until the end of the soft-start, at which

time it will pull the output voltage down to the final value. Any resistive load connected to the output will help pull down the voltage (at the RC rate of the R of the load and the C of the output capacitance).

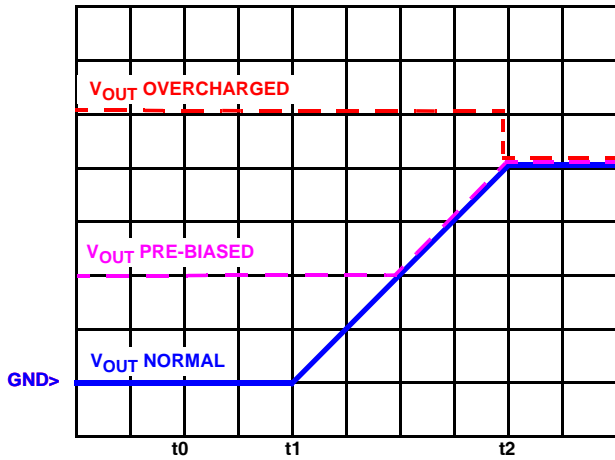


FIGURE 3. SOFT-START WITH PRE-BIAS

If the V_{IN} to the upper MOSFET drain is from a different supply that comes up after V_{CC} , the soft-start would go through its cycle, but with no output voltage ramp. When V_{IN} turns on, the output would follow the ramp of the V_{IN} (at close to 100% duty cycle, with COMP/SD pin >4V), from zero up to the final expected voltage. If V_{IN} is too fast, there may be excessive inrush current charging the output capacitors (only the beginning of the ramp, from zero to V_{OUT} matters here). If this is not acceptable, then consider changing the sequencing of the power supplies, or sharing the same supply, or adding sequencing logic to the COMP/SD pin to delay the soft-start until the V_{IN} supply is ready (see “Input Voltage Considerations” on page 9).

If the IC is disabled after soft-start (by pulling COMP/SD pin low), and then enabled (by releasing the COMP/SD pin), then the full initialization (including OCP sample) will take place. However, that there is no new OCP sampling during overcurrent retries.

If the output is shorted to GND during soft-start, the OCP will handle it, as described in the next section.

Overcurrent Protection (OCP)

The overcurrent function protects the converter from a shorted output by using the lower MOSFET’s on-resistance, $r_{DS(ON)}$, to monitor the current. A resistor (R_{OCSET}) programs the overcurrent trip level (see “Typical Application” on page 3). This method enhances the converter’s efficiency and reduces cost by eliminating a current sensing resistor. If overcurrent is detected, the output immediately shuts off, it cycles the soft-start function in a hiccup mode (2 dummy soft-start time-outs, then up to one real one) to provide fault protection. If the shorted condition is not removed, this cycle will continue indefinitely.

Following POR (and 6.8ms delay), the ISL6545x initiates the Overcurrent Protection sample and hold operation. The LGATE driver is disabled to allow an internal 21.5µA current source to develop a voltage across R_{OCSET} . The ISL6545x samples this voltage (which is referenced to the GND pin) at the LGATE/OCSET pin, and holds it in a counter and DAC combination. This sampled voltage is held internally as the Overcurrent Set Point, for as long as power is applied, or until a new sample is taken after coming out of a shut-down.

The actual monitoring of the lower MOSFET’s on-resistance starts 200ns (nominal) after the edge of the internal PWM logic signal (that creates the rising external LGATE signal). This is done to allow the gate transition noise and ringing on the PHASE pin to settle out before monitoring. The monitoring ends when the internal PWM edge (and thus LGATE) goes low. The OCP can be detected anywhere within the above window.

If the regulator is running at high UGATE duty cycles (around 75% for 600kHz or 87% for 300kHz operation), then the LGATE pulse width may not be wide enough for the OCP to properly sample the $r_{DS(ON)}$. For those cases, if the LGATE is too narrow (or not there at all) for 3 consecutive pulses, then the third pulse will be stretched and/or inserted to the 425ns minimum width. This allows for OCP monitoring every third pulse under this condition. This can introduce a small pulse-width error on the output voltage, which will be corrected on the next pulse; and the output ripple voltage will have an unusual 3-clock pattern, which may look like jitter. This is not necessarily a problem; it is more of a compromise to maintain OCP at the higher duty cycles. If the OCP is disabled (by choosing a too-high value of R_{OCSET} , or no resistor at all), then the pulse stretching feature is also disabled. Figure 4 illustrates the LGATE pulse width stretching, as the width gets smaller.

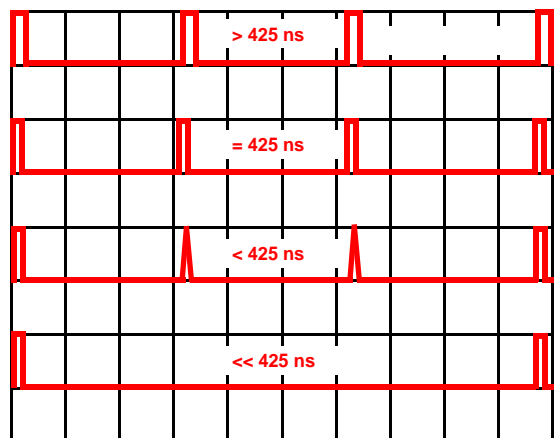


FIGURE 4. LGATE PULSE STRETCHING

The overcurrent function will trip at a peak inductor current (I_{PEAK}) determined by Equation 1:

$$I_{PEAK} = \frac{2 \times I_{OCSET} \times R_{OCSET}}{r_{DS(ON)}} \quad (EQ. 1)$$

where I_{OCSET} is the internal OCSET current source (21.5µA typical). The scale factor of 2 doubles the trip point of the MOSFET voltage drop, compared to the setting on the R_{OCSET} resistor. The OC trip point varies in a system mainly due to the MOSFET's $r_{DS(ON)}$ variations (over process, current and temperature). To avoid overcurrent tripping in the normal operating load range, find the R_{OCSET} resistor from Equation 1 with:

1. The maximum $r_{DS(ON)}$ at the highest junction temperature.
2. The minimum I_{OCSET} from the specification table.
3. Determine I_{PEAK} for $I_{PEAK} > I_{OUT(MAX)} + \frac{\Delta I}{2}$ where ΔI is the output inductor ripple current.

For an equation for the ripple current see "Output Inductor Selection" on page 12.

The range of allowable voltages detected ($2 \times I_{OCSET} \times R_{OCSET}$) is 0mV to 475mV; but the practical range for typical MOSFETs is typically in the 20mV to 120mV ballpark (500Ω to 3000Ω). If the voltage drop across R_{OCSET} is set too low, that can cause almost continuous OCP tripping and retry. It would also be very sensitive to system noise and inrush current spikes, so it should be avoided. The maximum usable setting is around 0.2V across R_{OCSET} (0.4V across the MOSFET); values above that might disable the protection. Any voltage drop across R_{OCSET} that is greater than 0.3V (0.6V MOSFET trip point) will disable the OCP. The preferred method to disable OCP is simply to remove the resistor; that will be detected that as no OCP.

Note that conditions during power-up or during a retry may look different than normal operation. During power-up in a 12V system, the IC starts operation just above 4V; if the supply ramp is slow, the soft-start ramp might be over well before 12V is reached. So with lower gate drive voltages, the $r_{DS(ON)}$ of the MOSFETs will be higher during power-up, effectively lowering the OCP trip. In addition, the ripple current will likely be different at lower input voltage.

Another factor is the digital nature of the soft-start ramp. On each discrete voltage step, there is in effect a small load transient, and a current spike to charge the output capacitors. The height of the current spike is not controlled; it is affected by the step size of the output, the value of the output capacitors, as well as the IC error amp compensation. So it is possible to trip the overcurrent with in-rush current, in addition to the normal load and ripple considerations.

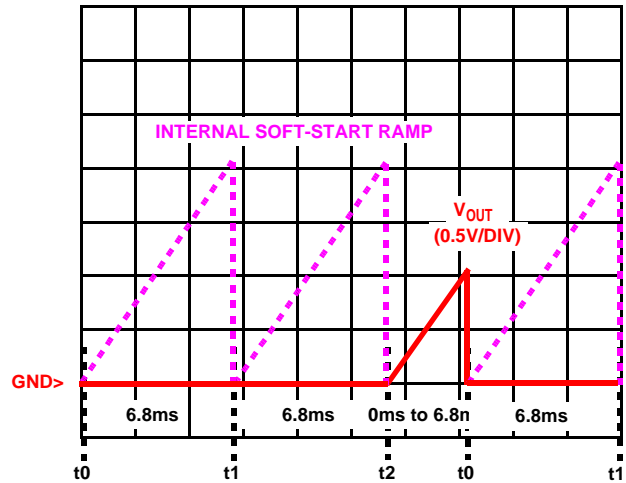


FIGURE 5. OVERCURRENT RETRY OPERATION

Figure 5 shows the output response during a retry of an output shorted to GND. At time t_0 , the output has been turned off, due to sensing an overcurrent condition. There are two internal soft-start delay cycles (t_1 and t_2) to allow the MOSFETs to cool down, to keep the average power dissipation in retry at an acceptable level. At time t_2 , the output starts a normal soft-start cycle, and the output tries to ramp. If the short is still applied, and the current reaches the OCSET trip point any time during soft-start ramp period, the output will shut off, and return to time t_0 for another delay cycle. The retry period is thus two dummy soft-start cycles plus one variable one (which depends on how long it takes to trip the sensor each time). Figure 5 shows an example where the output gets about half-way up before shutting down; therefore, the retry (or hiccup) time will be around 17ms. The minimum should be nominally 13.6ms and the maximum 20.4ms. If the short condition is finally removed, the output should ramp up normally on the next t_2 cycle.

Starting up into a shorted load looks the same as a retry into that same shorted load. In both cases, OCP is always enabled during soft-start; once it trips, it will go into retry (hiccup) mode. The retry cycle will always have two dummy time-outs, plus whatever fraction of the real soft-start time passes before the detection and shutoff; at that point, the logic immediately starts a new two dummy cycle time-out.

Output Voltage Selection

The output voltage can be programmed to any level between the 0.6V internal reference, up to the V_{IN} supply. The ISL6545x can run at near 100% duty cycle at zero load, but the $r_{DS(ON)}$ of the upper MOSFET will effectively limit it to something less as the load current increases. In addition, the OCP (if enabled) will also limit the maximum effective duty cycle.

An external resistor divider is used to scale the output voltage relative to the internal reference voltage, and feed it back to the inverting input of the error amp. See "Typical

Application” on page 3 for more detail; R_S is the upper resistor; R_{OFFSET} (shortened to R_O below) is the lower one. The recommended value for R_S is $1k\Omega$ to $5k\Omega$ ($\pm 1\%$ for accuracy) and then R_{OFFSET} is chosen according to the equation below. Since R_S is part of the compensation circuit (see “Feedback Compensation” on page 10), it is often easier to change R_{OFFSET} to change the output voltage; that way the compensation calculations do not need to be repeated. If $V_{OUT} = 0.6V$, then R_{OFFSET} can be left open. Output voltages less than $0.6V$ are not available as shown in Equation 2.

$$V_{OUT} = 0.6V \cdot \frac{(R_S + R_O)}{R_O}$$

$$R_O = \frac{R_S \cdot 0.6V}{V_{OUT} - 0.6V} \quad (EQ. 2)$$

Input Voltage Considerations

The Typical Application diagram on page 3 shows a standard configuration where V_{CC} is either $5V$ ($\pm 10\%$) or $12V$ ($\pm 20\%$); in each case, the gate drivers use the V_{CC} voltage for LGATE and BOOT/UGATE. In addition, V_{CC} is allowed to work anywhere from $6.5V$ up to the $14.4V$ maximum. The V_{CC} range between $5.5V$ and $6.5V$ is **NOT** allowed for long-term reliability reasons, but transitions through it to voltages above $6.5V$ are acceptable.

There is an internal $5V$ regulator for bias; it turns on between $5.5V$ and $6.5V$; some of the delay after POR is there to allow a typical power supply to ramp up past $6.5V$ before the soft-start ramps begins. This prevents a disturbance on the output, due to the internal regulator turning on or off. If the transition is slow (not a step change), the disturbance should be minimal. So while the recommendation is to not have the output enabled during the transition through this region, it may be acceptable. The user should monitor the output for their application, to see if there is any problem.

The V_{IN} to the upper MOSFET can share the same supply as V_{CC} , but can also run off a separate supply or other sources, such as outputs of other regulators. If V_{CC} powers up first, and the V_{IN} is not present by the time the initialization is done, then the soft-start will not be able to ramp the output, and the output will later follow part of the V_{IN} ramp when it is applied. If this is not desired, then change the sequencing of the supplies, or use the COMP/SD pin to disable V_{OUT} until both supplies are ready.

Figure 6 shows a simple sequencer for this situation. If V_{CC} powers up first, Q_1 will be off, and R_3 pulling to V_{CC} will turn Q_2 on, keeping the ISL6545x in shut-down. When V_{IN} turns on, the resistor divider R_1 and R_2 determines when Q_1 turns on, which will turn off Q_2 , and release the shut-down. If V_{IN} powers up first, Q_1 will be on, turning Q_2 off; so the ISL6545x will start-up as soon as V_{CC} comes up. The $V_{DISABLE}$ trip point is $0.4V$ nominal, so a wide variety of NFET’s or NPN’s or even some logic IC’s can be used as Q_1 or Q_2 ; but Q_2 must be low leakage when off (open-drain or

open-collector) so as not to interfere with the COMP output. Q_2 should also be placed near the COMP/SD pin.

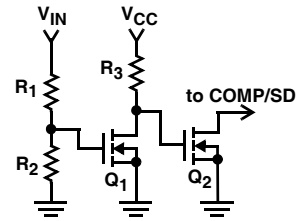


FIGURE 6. SEQUENCER CIRCUIT

The V_{IN} range can be as low as $\sim 1V$ (for V_{OUT} as low as the $0.6V$ reference). It can be as high as $20V$ (for V_{OUT} just below V_{IN}). There are some restrictions for running high V_{IN} voltage.

The first consideration for high V_{IN} is the maximum BOOT voltage of $36V$. The V_{IN} (as seen on PHASE) plus V_{CC} (boot voltage - minus the diode drop), plus any ringing (or other transients) on the BOOT pin must be less than $36V$. If V_{IN} is $20V$, that limits V_{CC} plus ringing to $16V$.

The second consideration for high V_{IN} is the maximum (BOOT - V_{CC}) voltage; this must be less than $24V$. Since $BOOT = V_{IN} + V_{CC} + \text{ringing}$, that reduces to $(V_{IN} + \text{ringing})$ must be $< 24V$. So based on typical circuits, a $20V$ maximum V_{IN} is a good starting assumption; the user should verify the ringing in their particular application.

Another consideration for high V_{IN} is duty cycle. Very low duty cycles (such as $20V$ in to $1.0V$ out, for 5% duty cycle) require component selection compatible with that choice (such as low $r_{DS(ON)}$ lower MOSFET, and a good LC output filter). At the other extreme (for example, $20V$ in to $12V$ out), the upper MOSFET needs to be low $r_{DS(ON)}$. In addition, if the duty cycle gets too high, it can affect the overcurrent sample time. In all cases, the input and output capacitors and both MOSFETs must be rated for the voltages present.

Switching Frequency

The switching frequency is either a fixed $300kHz$ or $600kHz$, depending on the part number chosen (ISL6545 is $300kHz$; ISL6545A is $600kHz$). However, all of the other timing mentioned (POR delay, OCP sample, soft-start, etc.) is independent of the clock frequency, unless otherwise noted.

BOOT Refresh

In the event that the UGATE is on for an extended period of time, the charge on the boot capacitor can start to sag, raising the $r_{DS(ON)}$ of the upper MOSFET. The ISL6545x has a circuit that detects a long UGATE on-time (nominal $100\mu s$), and forces the LGATE to go high for one clock cycle, which will allow the boot capacitor some time to recharge. Separately, the OCP circuit has an LGATE pulse stretcher (to be sure the sample time is long enough), which can also help refresh the boot. But if OCP is disabled (no current

sense resistor), the regular boot refresh circuit will still be active.

Current Sinking

The ISL6545x incorporates a MOSFET shoot-through protection method which allows a converter to sink current as well as source current. Care should be exercised when designing a converter with the ISL6545x when it is known that the converter may sink current.

When the converter is sinking current, it is behaving as a boost converter that is regulating its input voltage. This means that the converter is boosting current into the V_{CC} rail, which supplies the bias voltage to the ISL6545x. If there is nowhere for this current to go, such as to other distributed loads on the V_{CC} rail, through a voltage limiting protection device, or other methods, the capacitance on the V_{CC} bus will absorb the current. This situation will allow voltage level of the V_{CC} rail to increase. If the voltage level of the rail is boosted to a level that exceeds the maximum voltage rating of the ISL6545x, then the IC will experience an irreversible failure and the converter will no longer be operational. Ensuring that there is a path for the current to follow other than the capacitance on the rail will prevent this failure mode.

Application Guidelines

Layout Considerations

As in any high frequency switching converter, layout is very important. Switching current from one power device to another can generate voltage transients across the impedances of the interconnecting bond wires and circuit traces. These interconnecting impedances should be minimized by using wide, short printed circuit traces. The critical components should be located as close together as possible, using ground plane construction or single point grounding.

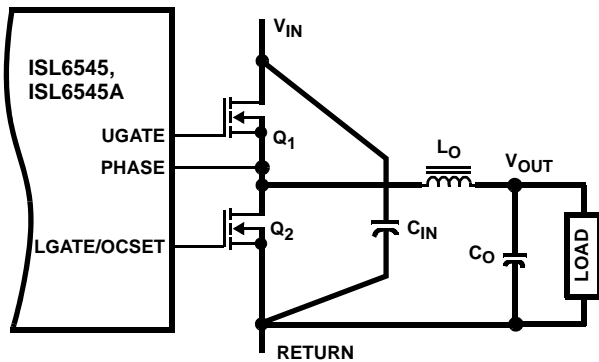


FIGURE 7. PRINTED CIRCUIT BOARD POWER AND GROUND PLANES OR ISLANDS

Figure 7 shows the critical power components of the converter. To minimize the voltage overshoot, the interconnecting wires indicated by heavy lines should be part of a ground or power plane in a printed circuit board. The components shown should be located as close together as possible. Please note that the

capacitors C_{IN} and C_O may each represent numerous physical capacitors. For best results, locate the ISL6545x within 1 inch of the MOSFETs, Q_1 and Q_2 . The circuit traces for the MOSFET gate and source connections from the ISL6545x must be sized to handle up to 1A peak current.

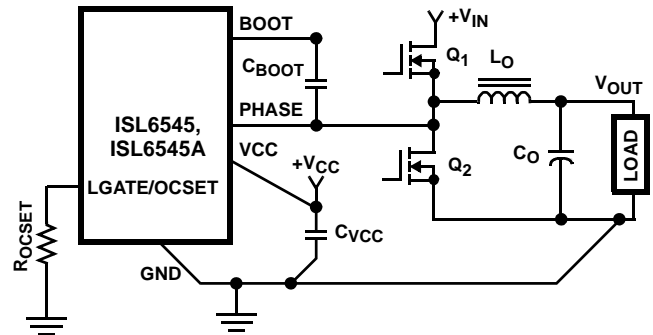


FIGURE 8. PRINTED CIRCUIT BOARD SMALL SIGNAL LAYOUT GUIDELINES

Figure 8 shows the circuit traces that require additional layout consideration. Use single point and ground plane construction for the circuits shown. Minimize any leakage current paths on the COMP/SD pin and locate the resistor, R_{OSCET} close to the COMP/SD pin because the internal current source is only $20\mu A$. Provide local V_{CC} decoupling between V_{CC} and GND pins. Locate the capacitor, C_{BOOT} as close as practical to the BOOT and PHASE pins. All components used for feedback compensation (not shown) should be located as close to the IC as practical.

Feedback Compensation

This section highlights the design consideration for a voltage-mode controller requiring external compensation. To address a broad range of applications, a type-3 feedback network is recommended, as shown in the top part of Figure 9.

Figure 9 also highlights the voltage-mode control loop for a synchronous-rectified buck converter, applicable to the ISL6545x circuit. The output voltage (V_{OUT}) is regulated to the reference voltage, V_{REF} . The error amplifier output (COMP pin voltage) is compared with the oscillator (OSC) modified sawtooth wave to provide a pulse-width modulated wave with an amplitude of V_{IN} at the PHASE node. The PWM wave is smoothed by the output filter (L and C). The output filter capacitor bank's equivalent series resistance is represented by the series resistor E.

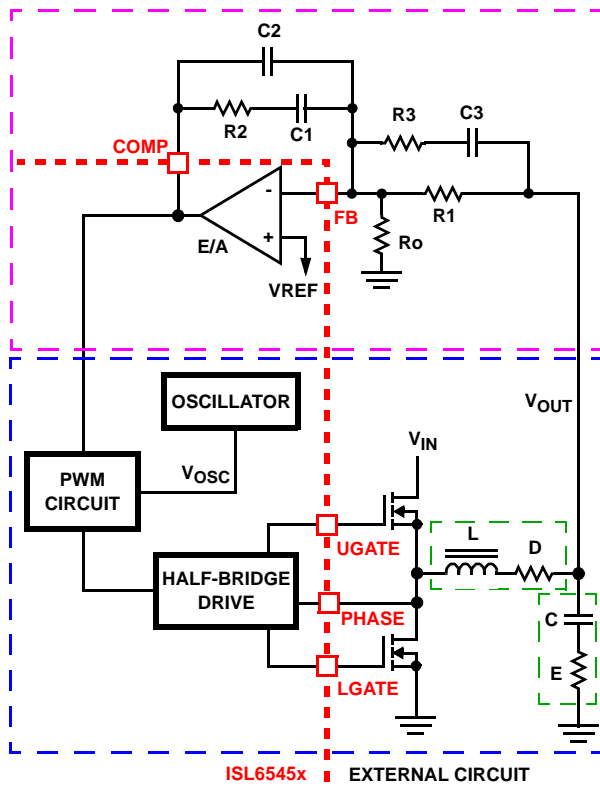


FIGURE 9. VOLTAGE-MODE BUCK CONVERTER COMPENSATION DESIGN

The modulator transfer function is the small-signal transfer function of V_{OUT}/V_{COMP} . This function is dominated by a DC gain, given by $d_{MAX}V_{IN}/V_{OSC}$, and shaped by the output filter, with a double pole break frequency at F_{LC} and a zero at F_{CE} . For the purpose of this analysis, L and D represent the channel inductance and its DCR, while C and E represent the total output capacitance and its equivalent series resistance.

$$F_{LC} = \frac{1}{2\pi \cdot \sqrt{L \cdot C}} \quad F_{CE} = \frac{1}{2\pi \cdot C \cdot E} \quad (EQ. 3)$$

The compensation network consists of the error amplifier (internal to the ISL6545x) and the external R1-R3, C1-C3 components. The goal of the compensation network is to provide a closed loop transfer function with high 0dB crossing frequency (F_0 ; typically 0.1 to 0.3 of F_{SW}) and adequate phase margin (better than 45°). Phase margin is the difference between the closed loop phase at F_{0dB} and 180°. The equations that follow relate the compensation network's poles, zeros and gain to the components (R1, R2, R3, C1, C2, and C3) in Figure 9. Use the following guidelines for locating the poles and zeros of the compensation network:

1. Select a value for R1 (1kΩ to 5kΩ, typically). Calculate value for R2 for desired converter bandwidth (F_0). If setting the output voltage via an offset resistor connected to the FB pin, Ro in Figure 9, the design procedure can be followed as presented.

$$R2 = \frac{V_{OSC} \cdot R1 \cdot F_0}{d_{MAX} \cdot V_{IN} \cdot F_{LC}} \quad (EQ. 4)$$

2. Calculate C1 such that F_{Z1} is placed at a fraction of the F_{LC} , at 0.1 to 0.75 of F_{LC} (to adjust, change the 0.5 factor to desired number). The higher the quality factor of the output filter and/or the higher the ratio F_{CE}/F_{LC} , the lower the F_{Z1} frequency (to maximize phase boost at F_{LC}).

$$C1 = \frac{1}{2\pi \cdot R2 \cdot 0.5 \cdot F_{LC}} \quad (EQ. 5)$$

3. Calculate C2 such that F_{P1} is placed at F_{CE} .

$$C2 = \frac{C1}{2\pi \cdot R2 \cdot C1 \cdot F_{CE} - 1} \quad (EQ. 6)$$

4. Calculate R3 such that F_{Z2} is placed at F_{LC} . Calculate C3 such that F_{P2} is placed below F_{SW} (typically, 0.5 to 1.0 times F_{SW}). F_{SW} represents the switching frequency. Change the numerical factor to reflect desired placement of this pole. Placement of F_{P2} lower in frequency helps reduce the gain of the compensation network at high frequency, in turn reducing the HF ripple component at the COMP pin and minimizing resultant duty cycle jitter.

$$R3 = \frac{R1}{\frac{F_{SW}}{F_{LC}} - 1} \quad C3 = \frac{1}{2\pi \cdot R3 \cdot 0.7 \cdot F_{SW}} \quad (EQ. 7)$$

It is recommended a mathematical model is used to plot the loop response. Check the loop gain against the error amplifier's open-loop gain. Verify phase margin results and adjust as necessary. The equations shown in Equations 8 and 9 describe the frequency response of the modulator (G_{MOD}), feedback compensation (G_{FB}) and closed-loop response (G_{CL}):

$$G_{MOD}(f) = \frac{d_{MAX} \cdot V_{IN}}{V_{OSC}} \cdot \frac{1 + s(f) \cdot E \cdot C}{1 + s(f) \cdot (E + D) \cdot C + s^2(f) \cdot L \cdot C}$$

$$G_{FB}(f) = \frac{1 + s(f) \cdot R2 \cdot C1}{s(f) \cdot R1 \cdot (C1 + C2)} \cdot \frac{1 + s(f) \cdot (R1 + R3) \cdot C3}{(1 + s(f) \cdot R3 \cdot C3) \cdot (1 + s(f) \cdot R2 \cdot \left(\frac{C1 \cdot C2}{C1 + C2}\right))} \quad (EQ. 8)$$

$$G_{CL}(f) = G_{MOD}(f) \cdot G_{FB}(f) \quad \text{where, } s(f) = 2\pi \cdot f \cdot j$$

COMPENSATION BREAK FREQUENCY EQUATIONS

$$F_{Z1} = \frac{1}{2\pi \cdot R2 \cdot C1} \quad F_{P1} = \frac{1}{2\pi \cdot R2 \cdot \frac{C1 \cdot C2}{C1 + C2}} \quad (EQ. 9)$$

$$F_{Z2} = \frac{1}{2\pi \cdot (R1 + R3) \cdot C3} \quad F_{P2} = \frac{1}{2\pi \cdot R3 \cdot C3}$$

Figure 10 shows an asymptotic plot of the DC/DC converter's gain vs frequency. The actual Modulator Gain has a high gain peak dependent on the quality factor (Q) of the output filter, which is not shown. Using the above guidelines should yield a compensation gain similar to the curve plotted. The open loop error amplifier gain bounds the compensation gain. Check the compensation gain at F_{P2} against the capabilities of the error amplifier. The closed loop gain, G_{CL} , is constructed on the log-log graph of Figure 10 by adding the modulator gain, G_{MOD} (in dB), to the feedback compensation gain, G_{FB} (in dB). This is equivalent to multiplying the modulator transfer function and the compensation transfer function and then plotting the resulting gain.

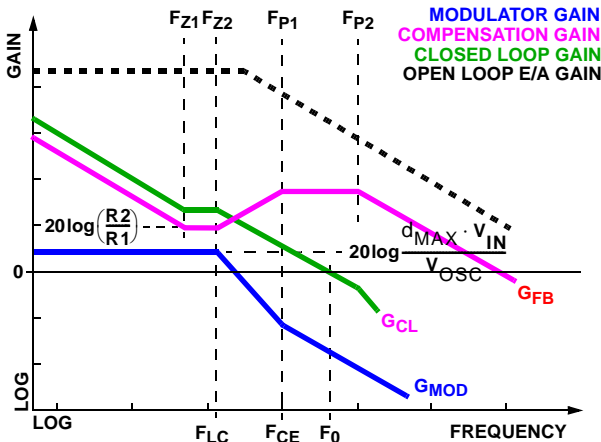


FIGURE 10. ASYMPTOTIC BODE PLOT OF CONVERTER GAIN

A stable control loop has a gain crossing with close to a -20dB/decade slope and a phase margin greater than 45° . Include worst case component variations when determining phase margin. The mathematical model presented makes a number of approximations and is generally not accurate at frequencies approaching or exceeding half the switching frequency. When designing compensation networks, select target crossover frequencies in the range of 10% to 30% of the switching frequency, F_{SW} .

This is just one method to calculate compensation components; there are variations of Equations 3 through 9. The error amp is similar to that on other Intersil regulators, so existing tools can be used here as well. Special consideration is needed if the size of a ceramic output capacitance in parallel with bulk capacitors gets too large; the calculation needs to model them both separately (attempting to combine two different capacitors types into one composite component model may not work properly; a special tool may be needed; contact Intersil at <http://www.intersil.com/contacts/> for assistance.

Component Selection Guidelines

Output Capacitor Selection

An output capacitor is required to filter the output and supply the load transient current. The filtering requirements are a function of the switching frequency and the ripple current.

The load transient requirements are a function of the slew rate (di/dt) and the magnitude of the transient load current. These requirements are generally met with a mix of capacitors and careful layout.

Modern components and loads are capable of producing transient load rates above 1A/ns . High frequency capacitors initially supply the transient and slow the current load rate seen by the bulk capacitors. The bulk filter capacitor values are generally determined by the ESR (Effective Series Resistance) and voltage rating requirements rather than actual capacitance requirements.

High frequency decoupling capacitors should be placed as close to the power pins of the load as physically possible. Be careful not to add inductance in the circuit board wiring that could cancel the usefulness of these low inductance components. Consult with the manufacturer of the load on specific decoupling requirements.

Use only specialized low-ESR capacitors intended for switching-regulator applications for the bulk capacitors. The bulk capacitor's ESR will determine the output ripple voltage and the initial voltage drop after a high slew-rate transient. An aluminum electrolytic capacitor's ESR value is related to the case size with lower ESR available in larger case sizes. However, the Equivalent Series Inductance (ESL) of these capacitors increases with case size and can reduce the usefulness of the capacitor to high slew-rate transient loading. Unfortunately, ESL is not a specified parameter. Work with your capacitor supplier and measure the capacitor's impedance with frequency to select a suitable component. In most cases, multiple electrolytic capacitors of small case size perform better than a single large case capacitor.

Output Inductor Selection

The output inductor is selected to meet the output voltage ripple requirements and minimize the converter's response time to the load transient. The inductor value determines the converter's ripple current and the ripple voltage is a function of the ripple current. The ripple voltage and current are approximated by the equations shown in Equation 10:

$$\Delta I = \frac{V_{IN} - V_{OUT}}{F_{sw} \times L} \times \frac{V_{OUT}}{V_{IN}} \quad \Delta V_{OUT} = \Delta I \times \text{ESR} \quad (\text{EQ. 10})$$

Increasing the value of inductance reduces the ripple current and voltage. However, the large inductance values reduce the converter's response time to a load transient.

One of the parameters limiting the converter's response to a load transient is the time required to change the inductor current. Given a sufficiently fast control loop design, the ISL6545x will provide either 0% or 100% duty cycle in response to a load transient. The response time is the time required to slew the inductor current from an initial current value to the transient current level. During this interval the difference between the inductor current and the transient current level must be supplied by the output capacitor.

Minimizing the response time can minimize the output capacitance required.

The response time to a transient is different for the application of load and the removal of load. The equations in Equation 11 give the approximate response time interval for application and removal of a transient load:

$$t_{RISE} = \frac{L \times I_{TRAN}}{V_{IN} - V_{OUT}} \quad t_{FALL} = \frac{L \times I_{TRAN}}{V_{OUT}} \quad (\text{EQ. 11})$$

where: I_{TRAN} is the transient load current step, t_{RISE} is the response time to the application of load, and t_{FALL} is the response time to the removal of load. The worst case response time can be either at the application or removal of load. Be sure to check both of these equations at the minimum and maximum output levels for the worst case response time.

Input Capacitor Selection

Use a mix of input bypass capacitors to control the voltage overshoot across the MOSFETs. Use small ceramic capacitors for high frequency decoupling and bulk capacitors to supply the current needed each time Q_1 turns on. Place the small ceramic capacitors physically close to the MOSFETs and between the drain of Q_1 and the source of Q_2 .

The important parameters for the bulk input capacitor are the voltage rating and the RMS current rating. For reliable operation, select the bulk capacitor with voltage and current ratings above the maximum input voltage and largest RMS current required by the circuit. The capacitor voltage rating should be at least 1.25x greater than the maximum input voltage and a voltage rating of 1.5x is a conservative guideline. The RMS current rating requirement for the input capacitor of a buck regulator is approximately 1/2 the DC load current.

For a through-hole design, several electrolytic capacitors may be needed. For surface mount designs, solid tantalum capacitors can also be used, but caution must be exercised with regard to the capacitor surge current rating. These capacitors must be capable of handling the surge current at power-up. Some capacitor series available from reputable manufacturers are surge current tested.

MOSFET Selection/Considerations

The ISL6545x requires two N-Channel power MOSFETs. These should be selected based upon $r_{DS(ON)}$, gate supply requirements, and thermal management requirements.

In high-current applications, the MOSFET power dissipation, package selection and heatsink are the dominant design factors. The power dissipation includes two loss components; conduction loss and switching loss. The conduction losses are the largest component of power dissipation for both the upper and the lower MOSFETs. These losses are distributed between the two MOSFETs according to duty factor. The switching losses seen when sourcing current will be different from the

switching losses seen when sinking current. When sourcing current, the upper MOSFET realizes most of the switching losses. The lower switch realizes most of the switching losses when the converter is sinking current (see the equations in Equation 12). These equations assume linear voltage-current transitions and do not adequately model power loss due the reverse-recovery of the upper and lower MOSFET's body diode. The gate-charge losses are dissipated by the ISL6545x and do not heat the MOSFETs. However, large gate-charge increases the switching interval, t_{SW} which increases the MOSFET switching losses. Ensure that both MOSFETs are within their maximum junction temperature at high ambient temperature by calculating the temperature rise according to package thermal-resistance specifications. A separate heatsink may be necessary depending upon MOSFET power, package type, ambient temperature and air flow.

Losses while Sourcing Current

$$P_{UPPER} = I_o^2 \times r_{DS(ON)} \times D + \frac{1}{2} \cdot I_o \times V_{IN} \times t_{SW} \times F_S$$

$$P_{LOWER} = I_o^2 \times r_{DS(ON)} \times (1 - D)$$

Losses while Sinking Current

$$P_{UPPER} = I_o^2 \times r_{DS(ON)} \times D$$

$$P_{LOWER} = I_o^2 \times r_{DS(ON)} \times (1 - D) + \frac{1}{2} \cdot I_o \times V_{IN} \times t_{SW} \times F_S$$

Where: D is the duty cycle = V_{OUT} / V_{IN} ,
 t_{SW} is the combined switch ON and OFF time, and
 F_S is the switching frequency.

When operating with a 12V power supply for V_{CC} (or down to a minimum supply voltage of 6.5V), a wide variety of N-MOSFETs can be used. Check the absolute maximum V_{GS} rating for both MOSFETs; it needs to be above the highest V_{CC} voltage allowed in the system; that usually means a 20V V_{GS} rating (which typically correlates with a 30V V_{DS} maximum rating). Low threshold transistors (around 1V or below) are not recommended, for the reasons explained in the next paragraph.

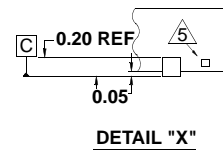
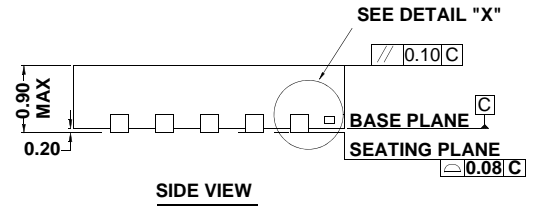
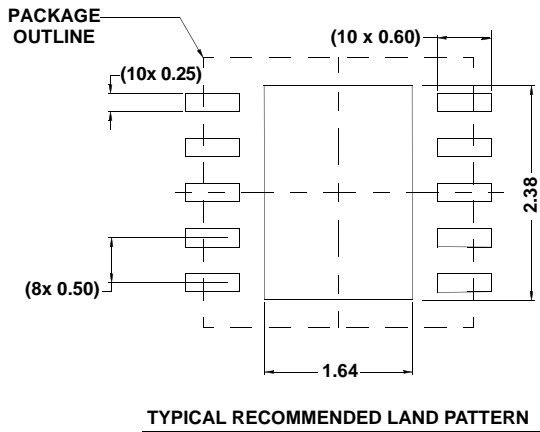
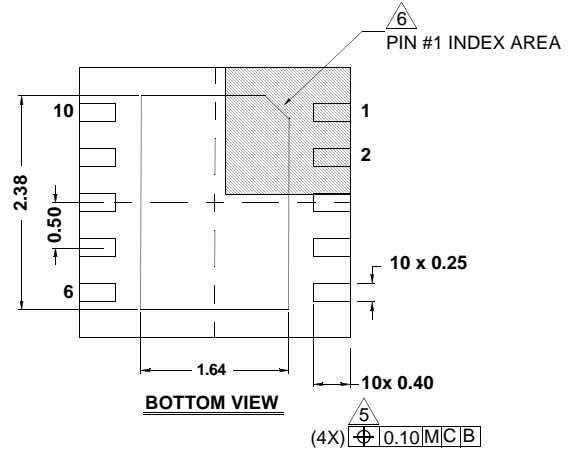
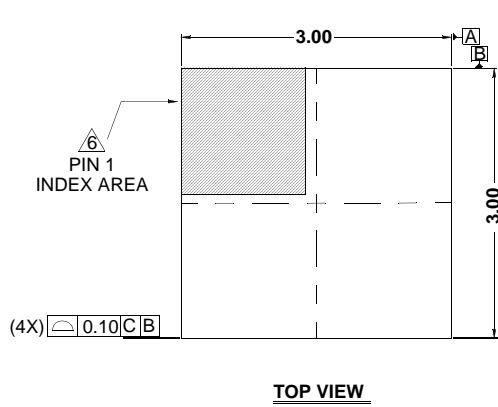
For 5V only operation, given the reduced available gate bias voltage (5V), logic-level transistors should be used for both N-MOSFETs. Look for $r_{DS(ON)}$ ratings at 4.5V. Caution should be exercised with devices exhibiting very low $V_{GS(ON)}$ characteristics. The shoot-through protection present aboard the ISL6545x may be circumvented by these MOSFETs if they have large parasitic impedances and/or capacitances that would inhibit the gate of the MOSFET from being discharged below its threshold level before the complementary MOSFET is turned on. Also avoid MOSFETs with excessive switching times; the circuitry is expecting transitions to occur in under 50ns or so.

Package Outline Drawing

L10.3x3C

10 LEAD DUAL FLAT PACKAGE (DFN)

Rev 2, 09/09



NOTES:

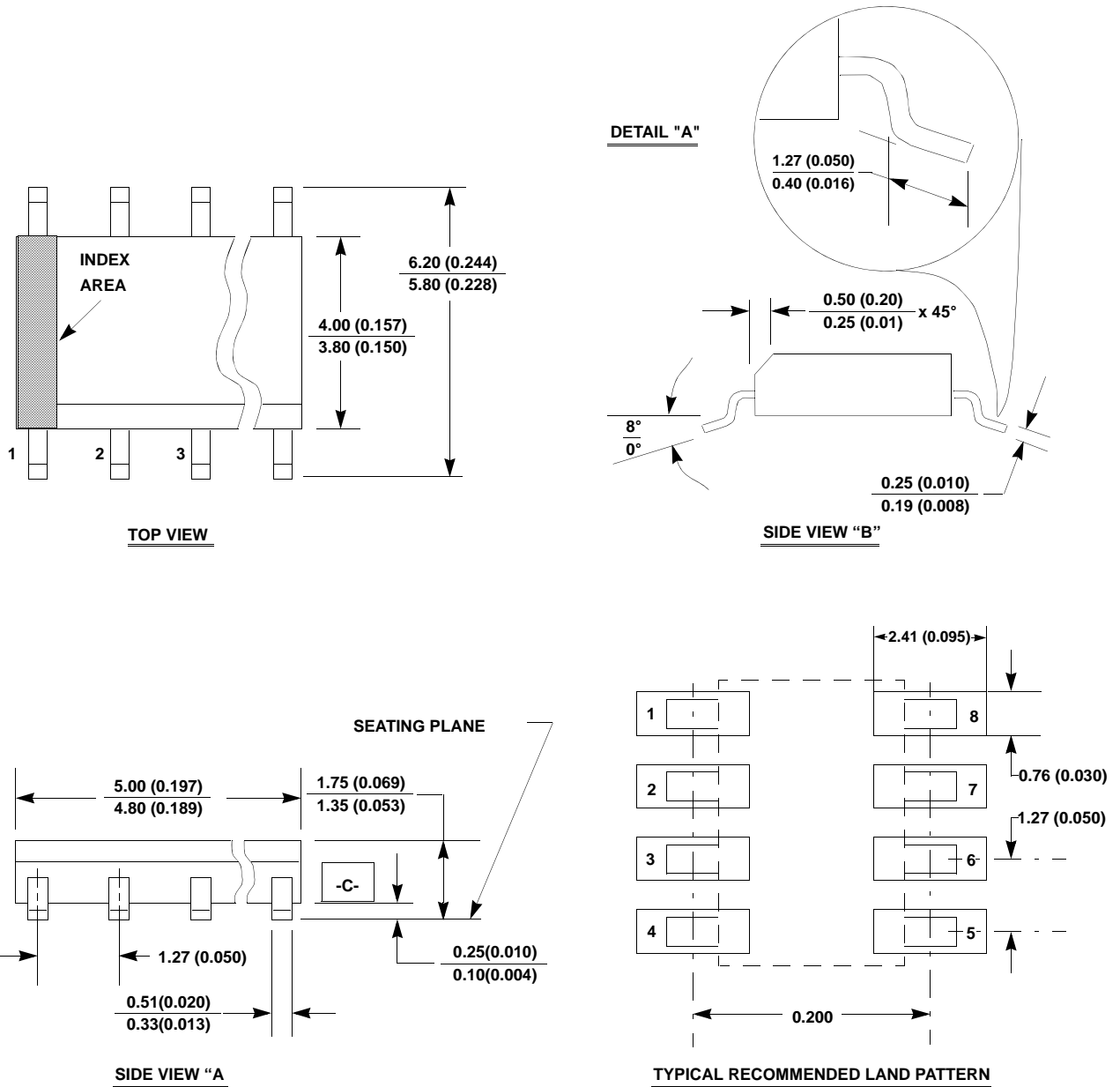
1. Dimensions are in millimeters.
Dimensions in () for Reference Only.
2. Dimensioning and tolerancing conform to AMSE Y14.5m-1994.
3. Unless otherwise specified, tolerance : Decimal ± 0.05
4. Dimension b applies to the metallized terminal and is measured between 0.18mm and 0.30mm from the terminal tip.
5. Tiebar shown (if present) is a non-functional feature.
6. The configuration of the pin #1 identifier is optional, but must be located within the zone indicated. The pin #1 identifier may be either a mold or mark feature.
7. COMPLAINT TO JEDEC MO-229-WEED-3 except for E-PAD dimensions.

Package Outline Drawing

M8.15

8 LEAD NARROW BODY SMALL OUTLINE PLASTIC PACKAGE

Rev 2, 11/10



NOTES:

1. Dimensioning and tolerancing per ANSI Y14.5M-1982.
2. Package length does not include mold flash, protrusions or gate burrs. Mold flash, protrusion and gate burrs shall not exceed 0.15mm (0.006 inch) per side.
3. Package width does not include interlead flash or protrusions. Interlead flash and protrusions shall not exceed 0.25mm (0.010 inch) per side.
4. The chamfer on the body is optional. If it is not present, a visual index feature must be located within the crosshatched area.
5. Terminal numbers are shown for reference only.
6. The lead width as measured 0.36mm (0.014 inch) or greater above the seating plane, shall not exceed a maximum value of 0.61mm (0.024 inch).
7. Controlling dimension: MILLIMETER. Converted inch dimensions are not necessarily exact.
8. This outline conforms to JEDEC publication MS-012-AA ISSUE C.

Looking for pricing, stock, or lifecycle information?

Click below to explore more details on WIN SOURCE:

 [View ISL6545AIRZ-T on WIN SOURCE](#)

 [Intersil Information](#)

Optimize Your Supply Chain with WIN SOURCE Solutions

-  Global Sourcing Solution
-  Obsolete Management
-  Cost Control Management
-  Shortage Management
-  Alternative Solution
-  Excess Inventory Management