



## ISL6559

Multi-Phase PWM Controller

**NOT RECOMMENDED FOR NEW DESIGNS  
NO RECOMMENDED REPLACEMENT**  
contact our Technical Support Center at  
1-888-INTERSIL or [www.intersil.com/tsc](http://www.intersil.com/tsc)

FN9084

Rev 8.00

December 29, 2004

The ISL6559 provides core-voltage regulation by driving 2 to 4 interleaved synchronous-rectified buck-converter channels in parallel. Interleaving the channel timing results in increased ripple frequency which reduces input and output ripple currents. The reduction in ripple results in lower component cost, reduced dissipation, and a smaller implementation area.

The ISL6559 uses cost and space-saving  $r_{DS(ON)}$  sensing for channel current balance, active voltage positioning, and over-current protection. Output voltage is monitored by an internal differential remote sense amplifier. A high-bandwidth error amplifier drives the output voltage to match the programmed 5-bit DAC reference voltage. The resulting compensation signal guides the creation of pulse width modulated (PWM) signals to control companion Intersil MOSFET drivers. The OFS pin allows direct offset of the DAC voltage from 0V to 50mV using a single external resistor. The entire system is trimmed to ensure a system accuracy of  $\pm 1\%$  over temperature.

Outstanding features of this controller IC include Dynamic VID™ technology allowing seamless on-the-fly VID changing without the need of any external components. Output voltage “droop” or active voltage positioning is optional. When employed, it allows the reduction in size and cost of the output capacitors required to support load transients. A threshold-sensitive enable input allows the use of an external resistor divider for start-up coordination with Intersil MOSFET drivers or any other devices powered from a separate supply.

Superior over-voltage protection is achieved by gating on the lower MOSFET of all phases to crowbar the output voltage. An optional second crowbar on  $V_{IN}$ , formed with an external MOSFET or SCR gated by the OVP pin, is triggered when an over-voltage condition is detected. Under-voltage conditions are detected, but PWM operation is not disrupted. Over-current conditions cause a hiccup-mode response as the controller repeatedly tries to restart. After a set number of failed startup attempts, the controller latches off. A power good logic signal indicates when the converter output is between the UV and OV thresholds.

### Features

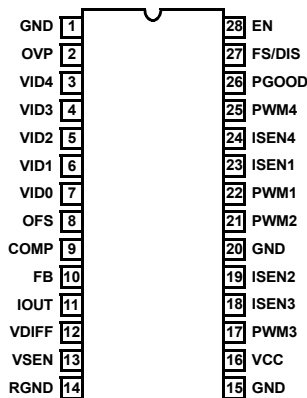
- Multi-Phase Power Conversion
  - 2, 3 or 4 Phase Operation
- Active Channel Current Balancing
- Precision  $r_{DS(ON)}$  Current Sharing
  - Lossless
  - Low Cost
- Input Voltage: 12V or 5V Bias
- Precision CORE Voltage Regulation
  - $\pm 1\%$  System Accuracy Over Temperature
  - Differential Remote Output Voltage Sensing
  - Programmable Reference Offset
- Microprocessor Voltage Identification Input
  - 5-Bit VID Input
  - 0.800V to 1.550V in 25mV Steps
  - Dynamic VID Technology
- Programmable Droop Voltage
- Fast Transient Recovery Time
- Over Current Protection
- Digital Soft Start
- Threshold Sensitive Enable Input
- High Ripple Frequency (160kHz to 4MHz)
- QFN Package:
  - Compliant to JEDEC PUB95 MO-220 QFN - Quad Flat No Leads - Package Outline
  - Near Chip Scale Package footprint, which improves PCB efficiency and has a thinner profile
- Pb-Free Available (RoHS Compliant)

### Applications

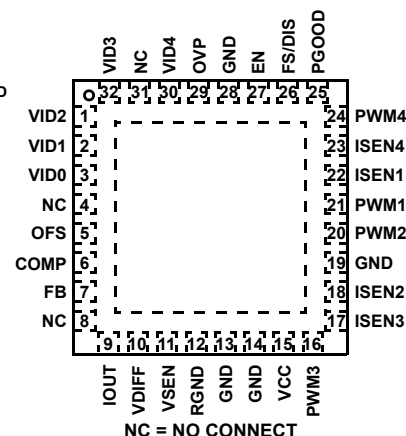
- AMD Hammer Family Processor Voltage Regulator
- Low Output Voltage, High Current DC-DC Converters
- Voltage Regulator Modules

### Pinouts

ISL6559CB (28 LEAD SOIC)  
TOP VIEW



ISL6559CR (32 LEAD QFN)  
TOP VIEW



**Ordering Information**

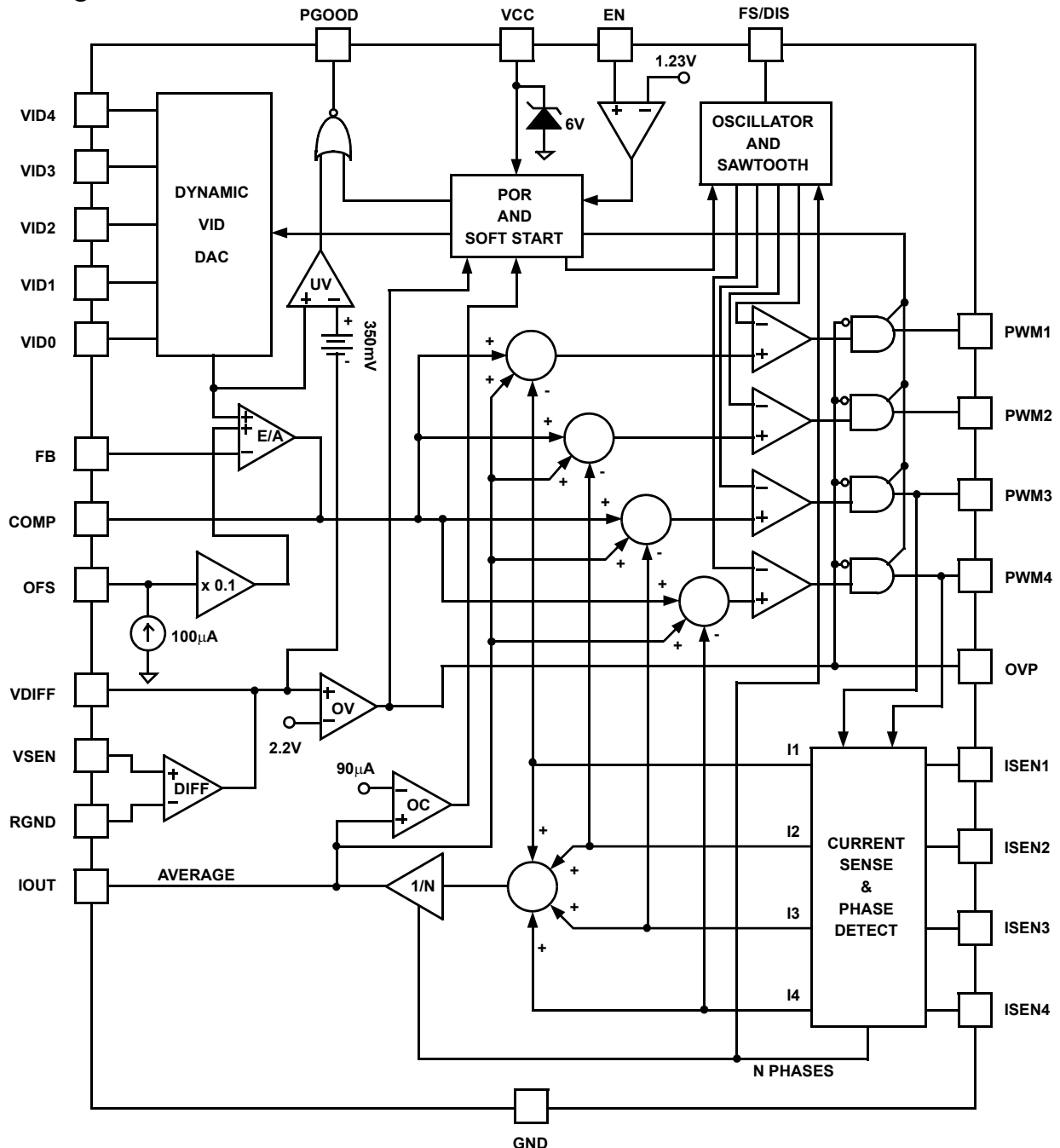
PART #	TEMP. (°C)	PACKAGE	PKG. DWG. #
ISL6559CB	0 to 70	28 Ld SOIC	M28.3
ISL6559CBZ*	0 to 70	28 Ld SOIC (Pb-free)	M28.3
ISL6559CB-T	28 Ld SOIC Tape and Reel		
ISL6559CBZ-T*	28 Ld SOIC Tape and Reel (Pb-free)		
ISL6559CR	0 to 70	32 Ld 5x5 QFN	L32.5x5
ISL6559CRZ*	0 to 70	32 Ld 5x5 QFN (Pb-free)	L32.5x5

**Ordering Information (Continued)**

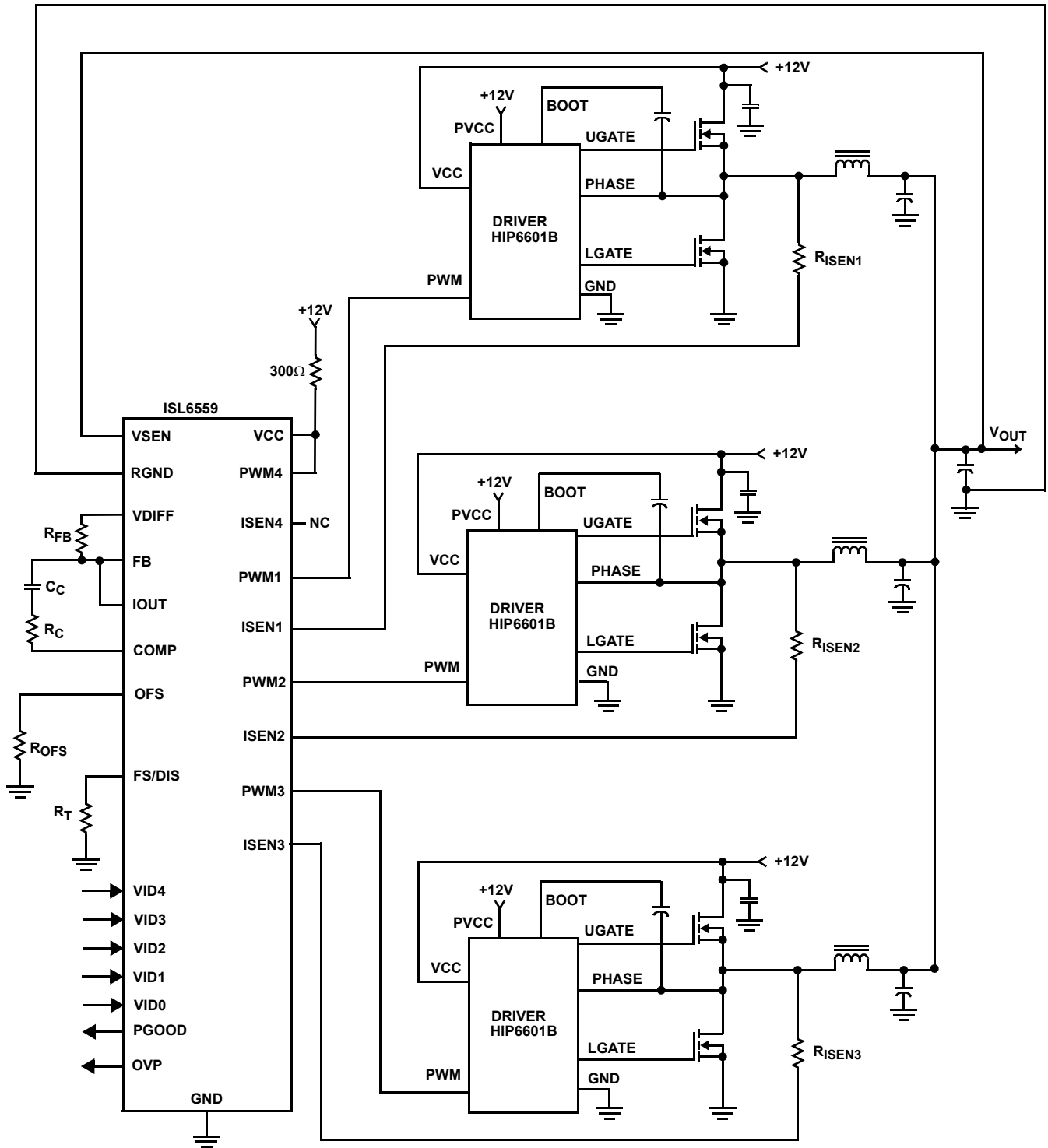
PART #	TEMP. (°C)	PACKAGE	PKG. DWG. #
ISL6559CR-T	32 Ld 5x5 QFN Tape and Reel		
ISL6559CRZ-T*	32 Ld 5x5 QFN Tape and Reel (Pb-free)		

NOTE: \* Intersil Pb-free products employ special Pb-free material sets; molding compounds/die attach materials and 100% matte tin plate termination finish, which are RoHS compliant and compatible with both SnPb and Pb-free soldering operations. Intersil Pb-free products are MSL classified at Pb-free peak reflow temperatures that meet or exceed the Pb-free requirements of IPC/JEDEC J STD-020.

**Block Diagram**



**Typical Application - 3 Phase Converter**



**Absolute Maximum Ratings**

Supply Voltage, VCC . . . . . +7V  
 Input, Output, or I/O Voltage . . . . . GND -0.3V to V<sub>CC</sub> + 0.3V  
 ESD Classification . . . . . Class TBD

**Operating Conditions**

Supply Voltage, VCC . . . . . +5V ±5%  
 Ambient Temperature . . . . . 0°C to 70°C  
 Junction Temperature . . . . . 0°C to 125°C

**Thermal Information**

Thermal Resistance	$\theta_{JA}$ (°C/W)	$\theta_{JC}$ (°C/W)
SOIC Package (Note 1)	60	N/A
QFN Package (Note 2)	33	4
Maximum Junction Temperature	150°C	
Maximum Storage Temperature Range	-65°C to 150°C	
Maximum Lead Temperature (Soldering 10s)	300°C (SOIC - Lead Tips Only)	

**CAUTION:** Stress above those listed in "Absolute Maximum Ratings" may cause permanent damage to the device. This is a stress only rating and operation of the device at these or any other conditions above those indicated in the operational section of this specification is not implied.

**NOTES:**

- $\theta_{JA}$  is measured with the component mounted on a high effective thermal conductivity test board in free air. See Tech Brief TB379 for details.
- $\theta_{JA}$  is measured in free air with the component mounted on a high effective thermal conductivity test board with "direct attach" features.  $\theta_{JC}$ , the "case temp" is measured at the center of the exposed metal pad on the package underside. See Tech Brief TB379.

**Electrical Specifications** Operating Conditions: VCC = 5V, T<sub>A</sub> = 0°C to 70°C. Unless Otherwise Specified.

PARAMETER	TEST CONDITIONS	MIN	TYP	MAX	UNITS
<b>VCC SUPPLY CURRENT</b>					
Nominal Supply	VCC = 5VDC; EN = 5VDC; R <sub>T</sub> = 100 kΩ ±1%	8.0	10.8	14.0	mA
Shutdown Supply	VCC = 5VDC; EN = 0VDC; R <sub>T</sub> = 100 kΩ ±1%	8.0	10.3	13.0	mA
<b>SHUNT REGULATOR</b>					
VCC Voltage	VCC tied to 12VDC thru 300Ω resistor, R <sub>T</sub> = 100kΩ	5.63	5.8	5.97	V
VCC Sink Current	VCC tied to 12VDC thru 300Ω resistor, R <sub>T</sub> = 100kΩ	15	20	25	mA
<b>POWER-ON RESET AND ENABLE</b>					
POR Threshold	VCC Rising	4.25	4.35	4.50	V
	VCC Falling	3.75	3.85	4.00	V
ENABLE Threshold	EN Rising	1.205	1.23	1.255	V
	Hysteresis	86	92	98	mV
<b>REFERENCE VOLTAGE AND DAC</b>					
Reference Voltage		0.792	0.8	0.808	V
System Accuracy	(Note 3)	-1	-	1	%VID
VID on Fly Step Size	R <sub>T</sub> = 100kΩ	-	25	-	mV
VID Pull Up		-	-20	-	μA
VID Input Low Level		-	-	1	V
VID Input High Level		-	1.36	1.60	V
<b>PIN-ADJUSTABLE OFFSET</b>					
OFS Current		-	100	-	μA
Offset Accuracy	ROFS = 5.00kΩ ±1%	47.0	50.0	53.0	mV
<b>OSCILLATOR</b>					
Accuracy		-10	-	10	%
Adjustment Range		0.08	-	1.0	MHz
Disable Voltage	I <sub>FS/DIS</sub> = 1mA	0.8	1.0	1.2	V
Sawtooth Amplitude		-	1.37	-	V
Max Duty Cycle		-	75	-	%

**Electrical Specifications** Operating Conditions: VCC = 5V, TA = 0°C to 70°C. Unless Otherwise Specified. (Continued)

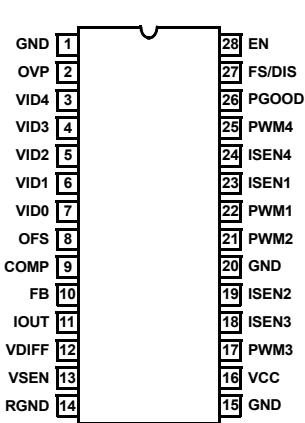
PARAMETER	TEST CONDITIONS	MIN	TYP	MAX	UNITS
<b>ERROR AMPLIFIER</b>					
Open-Loop Gain	RL = 10kΩ to ground	-	72	-	dB
Open-Loop Bandwidth	CL = 100pF, RL = 10kΩ to ground	-	18	-	MHz
Slew Rate	CL = 100pF, Load = ±400mA	-	7.1	11	V/μs
Maximum Output Voltage	RL = 10kΩ to ground	3.6	4.5	-	V
Source Current		3.0	7.0	9.5	mA
Sink Current		1.6	3.0	5.4	mA
<b>REMOTE-SENSE AMPLIFIER</b>					
Input Impedance		-	80	-	kΩ
Bandwidth		-	20	-	MHz
Slew Rate		-	6	-	V/μs
<b>SENSE CURRENT</b>					
IOUT Accuracy	ISEN1 = ISEN2 = ISEN3 = ISEN4 = 50μA	-5	-	5	%
ISEN Offset Voltage		-	6	-	mV
Over-Current Trip Level		72	90	108	μA
<b>POWER GOOD AND PROTECTION MONITORS</b>					
PGOOD Low Voltage	IPGOOD = 4mA	-	-	0.4	V
Under-Voltage Offset From VID	VSEN Falling	320	350	420	mV
Over-Voltage Threshold	VSEN Rising	2.08	2.13	2.20	V
OVP Voltage	IOVP = 100mA, VCC = 5V	2.2	3.28	4.0	V

NOTE:

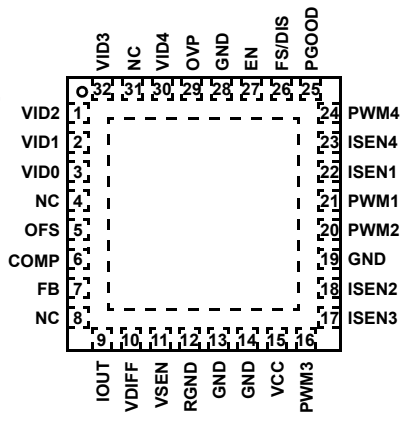
3. These parts are designed and adjusted for accuracy within the system tolerance

**Functional Pin Description**

ISL6559CB (28 LEAD SOIC) TOP VIEW



ISL6559CR (32 LEAD QFN) TOP VIEW



NC = NO CONNECT

**GND**

Bias and reference ground for the IC.

**OVP**

Over-voltage protection pin. This pin pulls to VCC and is latched when an over-voltage condition is detected. Connect

this pin to the gate of an SCR or MOSFET tied across VIN and ground to prevent damage to a load device.

**VID4, VID3, VID2, VID1, VID0**

The state of these five inputs program the internal DAC, which provides the reference voltage for output regulation. Connect these pins to either open-drain or active pull-up type outputs. Pulling these pins above 2.9V can cause a reference offset inaccuracy.

**OFS**

Connecting a resistor between this pin and ground creates a positive offset voltage which is added to the DAC voltage, allowing easy implementation of load-line regulation. For no offset, simply tie this pin to ground.

**FB and COMP**

The internal error amplifier inverting input and output respectively. Connect the external R-C feedback compensation network of the regulator to these pins.

**IOUT**

The current carried out of this pin is proportional to output current and can be used to incorporate output voltage droop

and/or load sharing. The scale factor is set by the ratio of the ISEN resistors and the lower MOSFET  $r_{DS(ON)}$ . If droop is desired, connect this pin to FB. When not used for droop or load sharing, simply leave this pin open.

### VSEN, RGND, VDIFF

VSEN and RGND are the inputs to the differential remote-sense amplifier. Connect these pins to the sense points of the remote load. Connect an appropriately sized feedback resistor,  $R_{FB}$ , between VDIFF and FB.

### VCC

Supplies all the power necessary to operate the chip. The IC starts to operate when the voltage on this pin exceeds the rising POR threshold and shuts down when the voltage on this pin drops below the falling POR threshold. Connect this pin directly to a +5V supply or through a series 300 $\Omega$  resistor to a +12V supply.

### ISEN1, ISEN2, ISEN3, ISEN4

Current sense inputs. A resistor connected between these pins and their respective phase node sets a current proportional to the current in the lower MOSFET during its conduction interval. This current is used as a reference for channel balancing, load sharing, protection, and load-line regulation. Inactive channels should have their respective sense inputs left open.

### PWM1, PWM2, PWM3, PWM4

Pulse-width modulating outputs. Connect these pins to the individual HIP660x driver PWM input pins. These logic outputs command the driver IC(s) in switching the half-bridge configuration of MOSFETs. The number of active channels is determined by the state of PWM3 and PWM4. If PWM3 is tied to VCC, this indicates to the controller that two channel operation is desired. In this case, PWM 4 should be left open or tied to VCC. Shorting PWM4 to VCC indicates that three channel operation is desired.

### PGOOD

Power good is an open-drain logic output that changes to a logic low when the voltage at VDIFF is 350mV below the VID setting or above 2.2V.

### FS/DIS

A dual function pin for setting the switching frequency and disabling the controller. Place a resistor from this pin to ground to set the switching frequency between 80kHz and 1MHz. Pulling this pin below 0.8V disables the controller.

### EN

Threshold sensitive enable input of the controller. Transition this pin above 1.23V (typical enable threshold) to initiate a soft-start cycle. Pull this pin below 1.14V, taking into account the enable hysteresis, to disable the controller once in operation. Connect a resistor divider to this pin to set the power-on voltage level for proper coordination with Intersil

MOSFET drivers. If this function is not required, simply tie this pin to VCC.

### Multi-Phase Power Conversion

Microprocessor load current profiles have changed to the point where the multi-phase power conversion advantage is pronounced. The technical challenges associated with producing a single-phase converter which is both cost-effective and thermally viable have forced a change to the cost-saving approach of multi-phase. The ISL6559 controller helps reduce the complexity of implementation by integrating vital functions and requiring minimal output components. The block diagram in Figure 1 provides a top level view of multi-phase power conversion using the ISL6559 controller.

### Interleaving

The switching of each channel in a multi-phase converter is timed to be symmetrically out of phase with each of the other channels. In a 3-phase converter, each channel switches 1/3 cycle after the previous channel and 1/3 cycle before the following channel. As a result, the three-phase converter has a combined ripple frequency three times greater than the ripple frequency of any one phase. In addition, the peak-to-peak amplitude of the combined inductor currents is reduced in proportion to the number of phases (Equations 1 and 2). Increased ripple frequency and lower ripple amplitude mean that the designer can use less per-channel inductance and lower total output capacitance for any performance specification.

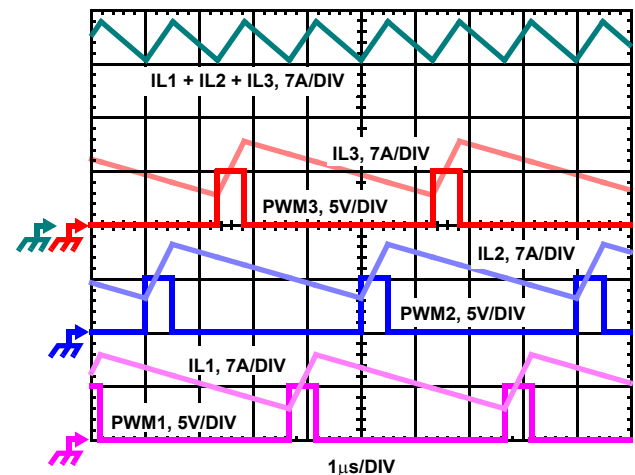


FIGURE 1. PWM AND INDUCTOR-CURRENT WAVEFORMS FOR 3-PHASE CONVERTER

Figure 1 illustrates the multiplicative effect on output ripple frequency. The three channel currents (IL1, IL2, and IL3), combine to form the AC ripple current and the DC load current. The ripple component has three times the ripple frequency of each individual channel current. Each PWM pulse is terminated 1/3 of a cycle, or 1.33 $\mu$ s, after the PWM pulse of the previous phase. The peak-to-peak current waveforms for each phase is about 7A, and the dc components of the inductor currents combine to feed the load.

To understand the reduction of ripple current amplitude in the multi-phase circuit, examine the equation representing an individual channel's peak-to-peak inductor current.

$$I_{PP} = \frac{(V_{IN} - V_{OUT})V_{OUT}}{L f_S V_{IN}} \quad (\text{EQ. 1})$$

In Equation 1,  $V_{IN}$  and  $V_{OUT}$  are the input and output voltages respectively,  $L$  is the single-channel inductor value, and  $f_S$  is the switching frequency.

The output capacitors conduct the ripple component of the inductor current. In the case of multi-phase converters, the capacitor current is the sum of the ripple currents from each of the individual channels. Compare Equation 1 to the expression for the peak-to-peak current after the summation of  $N$  symmetrically phase-shifted inductor currents in Equation 2. Peak-to-peak ripple current decreases by an amount proportional to the number of channels. Output-voltage ripple is a function of capacitance, capacitor equivalent series resistance (ESR), and inductor ripple current. Reducing the inductor ripple current allows the designer to use fewer or less costly output capacitors.

$$I_{C, PP} = \frac{(V_{IN} - N V_{OUT})V_{OUT}}{L f_S V_{IN}} \quad (\text{EQ. 2})$$

Another benefit of interleaving is to reduce input ripple current. Input capacitance is determined in part by the maximum input ripple current. Multi-phase topologies can improve overall system cost and size by lowering input ripple current and allowing the designer to reduce the cost of input capacitance. The example in Figure 2 illustrates input currents from a three-phase converter combining to reduce the total input ripple current.

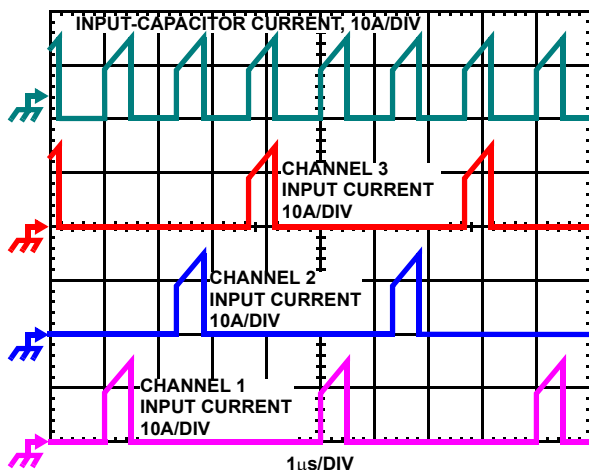


FIGURE 2. CHANNEL INPUT CURRENTS AND INPUT-CAPACITOR RMS CURRENT FOR 3-PHASE CONVERTER

The converter depicted in Figure 2 delivers 36A to a 1.5V load from a 12V input. The RMS input capacitor current is 5.9A. Compare this to a single-phase converter also stepping down 12V to 1.5V at 36A. The single-phase

converter has 11.9A RMS input capacitor current. The single-phase converter must use an input capacitor bank with twice the RMS current capacity as the equivalent three-phase converter.

Figures 15, 16 and 17 in the section entitled *Input Capacitor Selection* can be used to determine the input-capacitor RMS current based on load current, duty cycle, and the number of channels. They are provided as aids in determining the optimal input capacitor solution. Figure 18 shows the single phase input-capacitor RMS current for comparison.

### PWM Operation

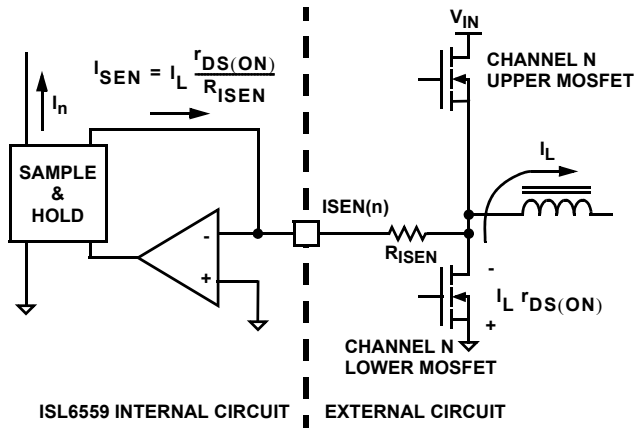
The timing of each converter leg is set by the number of active channels. The default channel setting for the ISL6559 is four. One switching cycle is defined as the time between PWM1 pulse termination signals. The pulse termination signal is an internally generated clock signal which triggers the falling edge of PWM1. The cycle time of the pulse termination signal is the inverse of the switching frequency set by the resistor between the FS/DIS pin and ground. Each cycle begins when the clock signal commands the channel-1 PWM output to go low. The PWM1 transition signals the channel-1 MOSFET driver to turn off the channel-1 upper MOSFET and turn on the channel-1 synchronous MOSFET. In the default channel configuration, the PWM2 pulse terminates 1/4 of a cycle after PWM1. The PWM 3 output follows another 1/4 of a cycle after PWM2. PWM4 terminates another 1/4 of a cycle after PWM3.

If PWM3 is connected to VCC, then two channel operation is selected and the PWM2 pulse terminates 1/2 of a cycle later. Connecting PWM4 to VCC selects three channel operation and the pulse-termination times are spaced in 1/3 cycle increments.

Once a PWM signal transitions low, it is held low for a minimum of 1/4 cycle. This forced off time is required to ensure an accurate current sample. Current sensing is described in the next section. After the forced off time expires, the PWM output is enabled. The PWM output state is driven by the position of the error amplifier output signal,  $V_{COMP}$ , minus the current correction signal relative to the sawtooth ramp as illustrated in Figure 1. When the modified  $V_{COMP}$  voltage crosses the sawtooth ramp, the PWM output transitions high. The MOSFET driver detects the change in state of the PWM signal and turns off the synchronous MOSFET and turns on the upper MOSFET. The PWM signal will remain high until the pulse termination signal marks the beginning of the next cycle by triggering the PWM signal low.

### Current Sensing

During the forced off time following a PWM transition low, the controller senses channel load current by sampling the voltage across the lower MOSFET  $r_{DS(ON)}$ , see Figure 3. A ground-referenced amplifier, internal to the ISL6559, connects to the PHASE node through a resistor,  $R_{ISEN}$ . The voltage across  $R_{ISEN}$  is equivalent to the voltage drop



**FIGURE 3. INTERNAL AND EXTERNAL CURRENT-SENSING CIRCUITRY**

across the  $R_{DS(ON)}$  of the lower MOSFET while it is conducting. The resulting current into the ISEN pin is proportional to the channel current,  $I_L$ . The ISEN current is then sampled and held after sufficient settling time every switching cycle. The sampled current,  $I_n$ , is used for channel-current balance, load-line regulation, overcurrent protection, and module current sharing. From Figure 3, the following equation for  $I_n$  is derived:

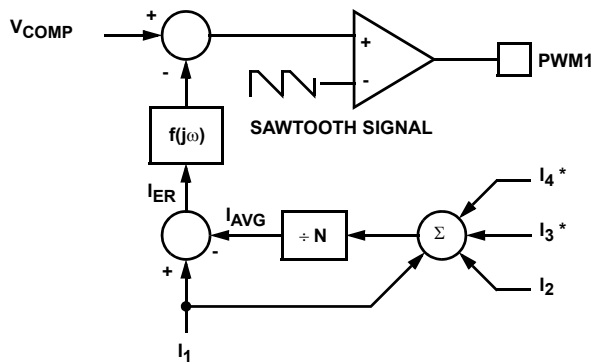
$$I_n = I_L \frac{r_{DS(ON)}}{R_{ISEN}} \quad (\text{EQ. 3})$$

where  $I_L$  is the channel current.

If  $R_{DS(ON)}$  sensing is not desired, an independent current-sense resistor in series with the lower MOSFET source can serve as a sense element. The circuitry shown in Figure 3 represents channel n of an N-channel converter. This circuitry is repeated for each channel in the converter, but may not be active depending upon the status of the PWM3 and PWM4 pins as described in the previous section.

**Channel-Current Balance**

The sampled current,  $I_n$ , from each active channel is used to gauge both overall load current and the relative channel current carried in each leg of the converter. The individual sample currents are summed and divided by the number of



NOTE: \*CHANNELS 3 and 4 are OPTIONAL.

**FIGURE 4. CHANNEL-1 PWM FUNCTION AND CURRENT-BALANCE ADJUSTMENT**

active channels. The resulting average current,  $I_{AVG}$ , provides a measure of the total load current demand on the converter and the appropriate level of channel current. Using Figures 3 and 4, the average current is defined as

$$I_{AVG} = \frac{I_1 + I_2 + \dots + I_N}{N} \quad (\text{EQ. 4})$$

$$I_{AVG} = \frac{I_{OUT}}{N} \frac{r_{DS(ON)}}{R_{ISEN}}$$

where N is the number of active channels and  $I_{OUT}$  is the total load current.

The average current is then subtracted from the individual channel sample currents. The resulting error current,  $I_{ER}$ , is then filtered before it adjusts  $V_{COMP}$ . The modified  $V_{COMP}$  signal is compared to a sawtooth ramp signal and produces a pulse width which corrects for any unbalance and drives the error current toward zero. Figure 4 illustrates Intersil's patented current-balance method as implemented on channel-1 of a multi-phase converter.

Two considerations designers face are MOSFET selection and inductor design. Both are significantly improved when channel currents track at any load level. The need for complex drive schemes for multiple MOSFETs, exotic magnetic materials, and expensive heat sinks is avoided. Resulting in a cost-effective and easy to implement solution relative to single-phase conversion. Channel-current balance insures the thermal advantage of multi-phase conversion is realized. Heat dissipation is spread over multiple channels and a greater area than single phase approaches.

In some circumstances, it may be necessary to deliberately design some channel-current unbalance into the system. In a highly compact design, one or two channels may be able to cool more effectively than the other(s) due to nearby air flow or heat sinking components. The other channel(s) may have more difficulty cooling with comparatively less air flow and heat sinking. The hotter channels may also be located close to other heat-generating components tending to drive their temperature even higher. In these cases, the proper selection of the current sense resistors ( $R_{ISEN}$  in Figure 3) introduces channel current unbalance into the system. Increasing the value of  $R_{ISEN}$  in the cooler channels and decreasing it in the hotter channels moves all channels into thermal balance at the expense of current balance.

**Voltage Regulation**

The output of the error amplifier,  $V_{COMP}$ , is compared to the sawtooth waveform to modulate the pulse width of the PWM signals. The PWM signals control the timing of the Intersil MOSFET drivers and regulate the converter output to the specified reference voltage. Three distinct inputs to the error amplifier determine the voltage level of  $V_{COMP}$ . The internal and external circuitry which control voltage regulation is illustrated in Figure 5.

Most multi-phase controllers simply have the output voltage fed back to the inverting input of the error amplifier through a resistor. The ISL6559 features an internal differential remote-sense amplifier in the feedback path. The amplifier removes the voltage error encountered when measuring the output voltage relative to the local controller ground reference point, resulting in a more accurate means of sensing output voltage. Connect the microprocessor sense pins to the non-inverting input, VSEN, and inverting input, RGND, of the remote-sense amplifier. The remote-sense amplifier output, VDIFF, is then tied through an external resistor to the inverting input of the error amplifier.

A digital to analog converter (DAC) generates a reference voltage based on the state of logic signals at pins VID4 through VID0. The DAC decodes the a 5-bit logic signal (VID) into one of the discrete voltages shown in Table 1. Each VID input offers a 20µA pull-up to an internal 2.5V source for use with open-drain outputs. External pull-up resistors or active-high output stages can augment the pull-up current sources, but a slight accuracy error can occur if they are pulled above 2.9V. The DAC-selected reference voltage is connected to the non-inverting input of the error amplifier.

The ISL6559 features a second non-inverting input to the error amplifier which allows the user to directly offset the DAC reference voltage in the positive direction only. The offset voltage is created by an internal current source which

feeds out the OFS pin into a user selected external resistor to ground. The resulting voltage across the resistor, V<sub>OFS</sub>, is internally divided down by ten to create the offset voltage. This method of offsetting the DAC voltage is more accurate than external methods of level-shifting the FB pin.

TABLE 1. VOLTAGE IDENTIFICATION CODES

VID4	VID3	VID2	VID1	VID0	DAC
0	0	0	0	0	1.550
0	0	0	0	1	1.525
0	0	0	1	0	1.500
0	0	0	1	1	1.475
0	0	1	0	0	1.450
0	0	1	0	1	1.425
0	0	1	1	0	1.400
0	0	1	1	1	1.375
0	1	0	0	0	1.350
0	1	0	0	1	1.325
0	1	0	1	0	1.300
0	1	0	1	1	1.275
0	1	1	0	0	1.250
0	1	1	0	1	1.225
0	1	1	1	0	1.200
0	1	1	1	1	1.175
1	0	0	0	0	1.150
1	0	0	0	1	1.125
1	0	0	1	0	1.100
1	0	0	1	1	1.075
1	0	1	0	0	1.050
1	0	1	0	1	1.025
1	0	1	1	0	1.000
1	0	1	1	1	0.975
1	1	0	0	0	0.950
1	1	0	0	1	0.925
1	1	0	1	0	0.900
1	1	0	1	1	0.875
1	1	1	0	0	0.850
1	1	1	0	1	0.825
1	1	1	1	0	0.800
1	1	1	1	1	Shutdown

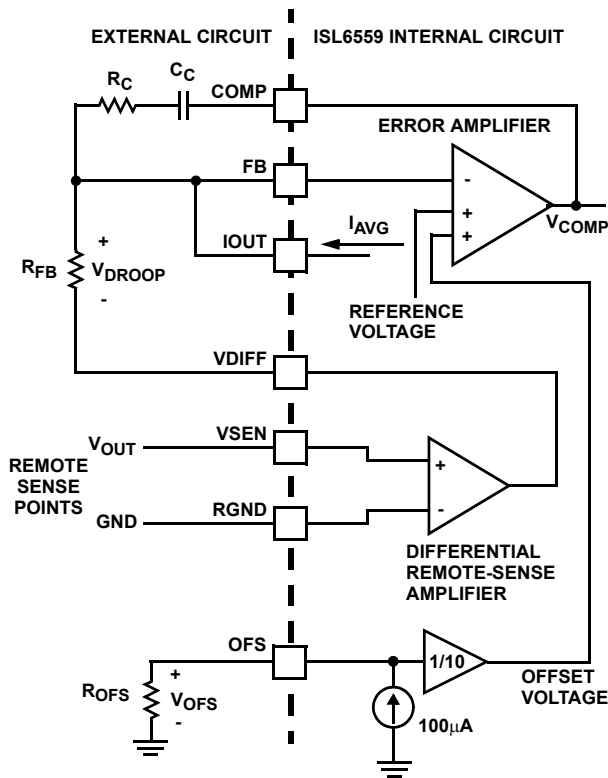


FIGURE 5. OUTPUT-VOLTAGE AND LOAD-LINE REGULATION

The integrating compensation network shown in Figure 5 assures that the steady-state error in the output voltage is limited to the error in the reference voltage (output of the DAC) plus offset errors in the OFS current source, remote-sense and error amplifiers. Intersil specifies the guaranteed tolerance of the ISL6559 to include all variations in current

sources, amplifiers and the reference so that the output voltage remains within the specified system tolerance of ±1% over temperature.

**LOAD-LINE REGULATION**

Microprocessor load current demands change from near no-load to full load often during operation. The resulting sizable transient current slew rate causes an output voltage spike since the converter is not able to respond fast enough to the rapidly changing current demands. The magnitude of the spike is dictated by the ESR and ESL of the output capacitors selected. In order to drive the cost of the output capacitor solution down, one commonly accepted approach is active voltage positioning. By adding a well controlled output impedance, the output voltage can effectively be level shifted in a direction which works against the voltage spike.

The average current of all the active channels,  $I_{AVG}$ , flows out IOU<sub>T</sub>, see Figure 5. IOU<sub>T</sub> is connected to FB through a load-line regulation resistor,  $R_{FB}$ . The resulting voltage drop across  $R_{FB}$  is proportional to the output current, effectively creating an output voltage droop with a steady-state value defined as

$$V_{DROOP} = I_{AVG} R_{FB} \tag{EQ. 5}$$

In most cases, each channel uses the same  $R_{ISEN}$  value to sense current. A more complete expression for  $V_{DROOP}$  is derived by combining equations 3 and 4.

$$V_{DROOP} = \frac{I_{OUT}}{N} \frac{r_{DS(ON)}}{R_{ISEN}} R_{FB} \tag{EQ. 6}$$

Droop is an optional feature of the ISL6559. If active voltage positioning is not required, simply leave the IOU<sub>T</sub> pin open.

**REFERENCE OFFSET**

Typical microprocessor tolerance windows are centered around a nominal DAC set point. Implementing a load-line would require offsetting the output voltage above this nominal DAC set point. Centering the load-line within the static specification window. The ISL6559 features an internal 100µA current source which feeds out the OFS pin. Placing a resistor from OFS and ground allows the user to set the amount of positive offset desired directly to the reference voltage. The voltage developed across the OFS resistor,  $R_{OFS}$ , is divided down internally by a factor of 10 and directly counters the DAC voltage at the error amplifier non-inverting input. Select the resistor value based on the voltage offset desired,  $V_{OFS}$ , using Equation 6.

$$R_{OFS} = \frac{V_{OFS} \cdot 10}{100\mu A} \tag{EQ. 7}$$

**DYNAMIC VID**

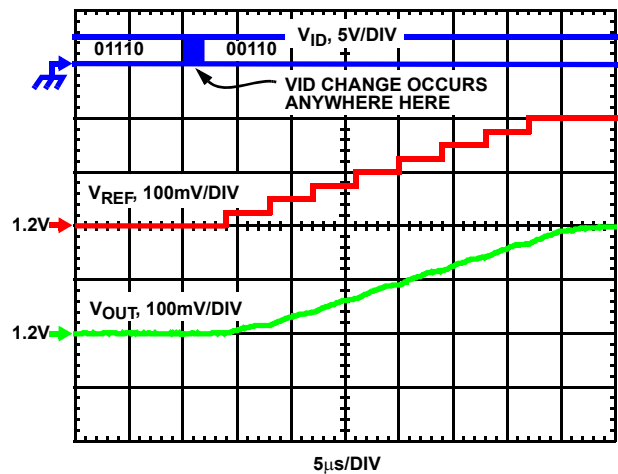
Next generation microprocessors can change VID inputs at any time while the regulator is in operation. The power management solution is required to monitor the DAC inputs and respond to VID voltage transitions or ‘on-the-fly’ VID changes, in a controlled manner. Supervising the safe output voltage transition within the DAC range of the processor without discontinuity or disruption.

The ISL6559 checks the five VID inputs at the beginning of each channel-1 switching cycle. If the VID code has changed, the controller waits one complete switching cycle to validate the new code. If the VID code is stable for this entire switching cycle, then the controller will begin executing the output voltage change. The controller begins incrementing the reference voltage by making 25mV steps every two switching cycles until it reaches the new VID code.

The total time required for a VID change,  $t_{DV}$ , is dependent on the switching frequency ( $f_s$ ), the size of the change ( $\Delta VID$ ), and the time before the next switching cycle begins. Since the ISL6559 recognizes VID-code changes only at the beginning of switching cycles, up to one full cycle may pass before a VID change registers. This is followed by a one-cycle wait before the output voltage begins to change. The one-cycle uncertainty in Equation 8 is due to the possibility that the VID code change may occur up to one full cycle before being recognized.

$$\frac{1}{f_s} \left( \frac{2\Delta VID}{0.025} - 1 \right) < t_{DV} \leq \frac{1}{f_s} \left( \frac{2\Delta VID}{0.025} \right) \tag{EQ. 8}$$

The time required for a converter running with  $f_s = 500kHz$  to make a 1.2V to 1.4V reference-voltage change is between 30µs and 32µs as calculated using Equation 8. This example is also illustrated in Figure 7.



**FIGURE 6. DYNAMIC-VID WAVEFORMS FOR 500KHZ ISL6559 BASED MULTI-PHASE BUCK CONVERTER**

## Operation Initialization

Before converter operation is initialized, proper conditions must exist on the enable and disable inputs. Once these conditions are met, the controller begins a soft-start interval. Once the output voltage is within the proper window of operation, the PGOOD output changes state to update an external system monitor.

### Enable and Disable

The PWM outputs are held in a high-impedance state to assure the drivers remain off while in shutdown mode. Four separate input conditions must be met before the ISL6559 is released from shutdown mode.

First, the bias voltage applied at VCC must reach the internal power-on reset (POR) circuit rising threshold. Once this threshold is met, the EN input signal becomes the gate for soft-start initialization. Hysteresis between the rising and falling thresholds insures that once enabled, the ISL6559 will not inadvertently turn off unless the bias voltage drops substantially. See *Electrical Specifications* for specifics on POR rising and falling thresholds.

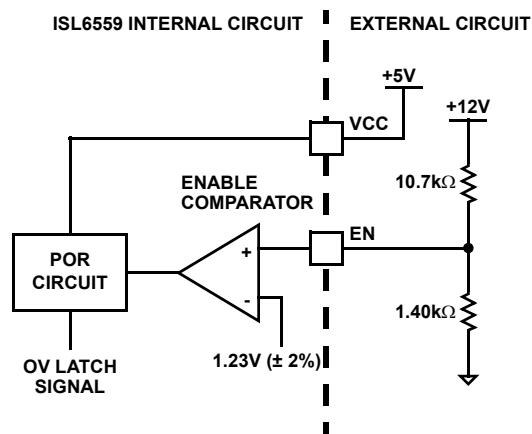


FIGURE 7. POWER SEQUENCING USING THRESHOLD-SENSITIVE ENABLE (EN) FUNCTION

Second, the ISL6559 features an enable input (EN) for power sequencing between the controller bias voltage and another voltage rail. The enable comparator holds the ISL6559 in shutdown until the voltage at EN rises above 1.23V. The enable comparator has about 90mV of hysteresis to prevent bounce. It is important that the driver ICs reach their POR level before the ISL6559 becomes enabled. The schematic in Figure 7 demonstrates sequencing the ISL6559 with the HIP660X family of Intersil MOSFET drivers which require 12V bias.

Third, the frequency select/disable input (FS/DIS) will shutdown the converter when pulled to ground. Under this condition, the internal oscillator is disabled. The oscillator resumes operation upon release of FS/DIS and a soft-start sequence is initiated.

The 11111 VID code is reserved as a signal to the controller that no load is present. The controller will enter shutdown mode after receiving this code and will start up upon receiving any other code. This code is not intended as a means of enabling the controller when a load is present.

To enable the controller, VCC must be greater than the POR threshold; the voltage on EN must be greater than 1.23V; FS/DIS must not be grounded; and VID cannot be equal to 11111. Once these conditions are true, the controller immediately initiates a soft-start sequence.

### Soft-Start

The soft-start time,  $t_{SS}$ , is determined by an 11-bit counter that increments with every pulse of the phase clock. For example, a converter switching at 250kHz per phase has a soft-start time of

$$T_{SS} = \frac{2048}{f_{SW}} = 8.3\text{ms} \quad (\text{EQ. 9})$$

During the soft-start interval, the soft-start voltage,  $V_{RAMP}$ , increases linearly from zero to 140% of the programmed DAC voltage. At the same time a current source,  $I_{RAMP}$ , is decreasing from 160 $\mu\text{A}$  down to zero. These signals are connected as shown in Figure 8 ( $I_{OUT}$  may or may not be connected to FB depending on the particular application).

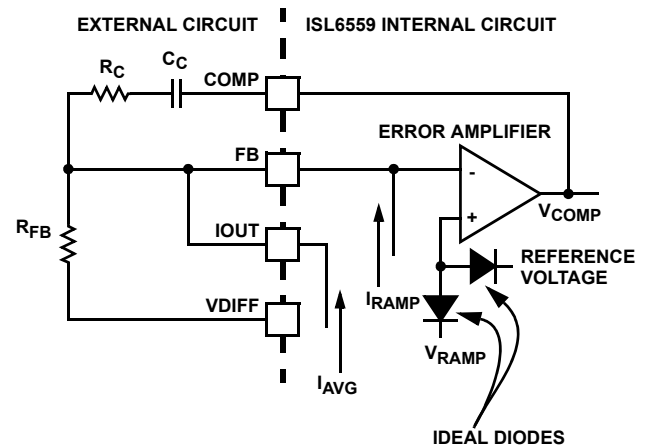


FIGURE 8. RAMP CURRENT AND VOLTAGE FOR REGULATING SOFT-START SLOPE AND DURATION

The ideal diodes in Figure 8 assure that the controller tries to regulate its output to the lower of either the reference voltage or  $V_{RAMP}$ . Since  $I_{RAMP}$  creates an initial offset across  $R_{FB}$  of ( $R_{FB} \times 160\mu\text{A}$ ), the first PWM pulse will not be seen until  $V_{RAMP}$  is greater than the  $R_{FB} I_{RAMP}$  offset. This produces a delay after the ISL6559 enables before the output voltage starts moving. For example, if  $VID = 1.5\text{V}$ ,  $R_{FB} = 1\text{k}\Omega$  and  $T_{SS} = 8.3\text{ms}$ , the delay time can be expressed using Equation 10.

$$t_{\text{DELAY}} = \frac{T_{\text{SS}}}{1 + \frac{1.4(\text{VID})}{R_{\text{FB}}160 \times 10^{-6}}} = 560 \mu\text{s} \quad (\text{EQ. 10})$$

Following the delay, the soft start ramps linearly until  $V_{\text{RAMP}}$  reaches VID. For the system described above, this first linear ramp will continue for approximately

$$\begin{aligned} t_{\text{RAMP1}} &= \frac{T_{\text{SS}}}{1.4} - t_{\text{DELAY}} \\ &= 5.27 \text{ms} \end{aligned} \quad (\text{EQ. 11})$$

The final portion of the soft-start sequence is the time remaining after  $V_{\text{RAMP}}$  reaches VID and before  $I_{\text{RAMP}}$  gets to zero. This is also characterized by a slight change in the slope of the output voltage ramp which, for the current example, exists for a time of

$$\begin{aligned} t_{\text{RAMP2}} &= T_{\text{SS}} - t_{\text{RAMP1}} - t_{\text{DELAY}} \\ &= 2.34 \text{ms} \end{aligned} \quad (\text{EQ. 12})$$

This behavior is seen in the example in Figure 9 of a converter switching at 500kHz. For this converter,  $R_{\text{FB}}$  is set to 2.67k $\Omega$  leading to  $T_{\text{SS}} = 4.0\text{ms}$ ,  $t_{\text{DELAY}} = 700\text{ns}$ ,  $t_{\text{RAMP1}} = 2.23\text{ms}$ , and  $t_{\text{RAMP2}} = 1.17\text{ms}$ .

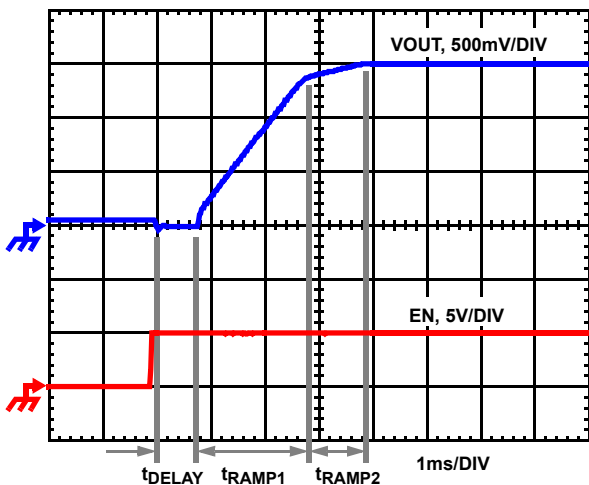


FIGURE 9. SOFT-START WAVEFORMS FOR ISL6559 BASED MULTI-PHASE BUCK CONVERTER

NOTE: Switching frequency 500kHz and  $R_{\text{FB}} = 2.67\text{k}\Omega$

### Fault Monitoring and Protection

The ISL6559 actively monitors voltage and current feedback to detect fault conditions. Fault monitors trigger protective measures to prevent damage to a microprocessor load. One common power good indication signal is provided for linking to external system monitors. The schematic in Figure 10

outlines the interaction between the fault monitors and the power good signal.

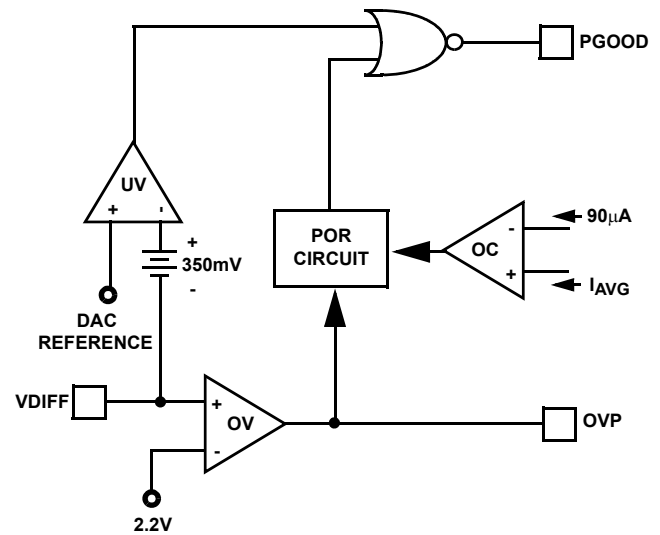


FIGURE 10. POWER GOOD AND PROTECTION CIRCUITRY

### Power Good Signal

The power good pin (PGOOD) is an open-drain logic output which indicates that the converter is operating properly and the output voltage is within a set window. The under-voltage (UV) and over-voltage (OV) comparators create the output voltage window. The controller also takes advantage of current feedback to detect output over-current (OC) conditions. PGOOD pulls low during shutdown and releases high during soft-start once the output voltage exceeds the UV threshold. Once high, PGOOD will only transition low when the controller is disabled or a fault condition is detected. It will return high under certain circumstances once a fault clears.

### Under-Voltage Protection

The voltage on  $V_{\text{DIFF}}$  is internally offset by 350mV before it is compared with the DAC reference voltage. By positively offsetting the output voltage, an UV threshold is created which moves relative to the VID code. During soft-start, the slow rising output voltage eventually exceeds the UV threshold. Assuming the POR leg of the PGOOD NOR gate has not detected an OC fault, the PGOOD signal will go high.

If a fault condition arises during operation and the output voltage drops below the UV threshold, PGOOD will immediately pull low, but converter operation will continue. PGOOD will return high once the output voltage surpasses the UV threshold.

If the ISL6559 is disabled during operation, the PGOOD signal will not pull low until the output voltage decays below the UV threshold.

### Over-Voltage Protection

When the output of the differential amplifier (VDIFF) reaches 2.2V, PGOOD immediately goes low indicating a fault. Two protective actions are taken by the ISL6559 to protect the microprocessor load.

First, all PWM outputs are commanded low. Directing the Intersil drivers to turn on the lower MOSFETs; shunting the output to ground preventing any further increase in output voltage. The PWM outputs remain low until VDIFF falls to the programmed DAC level at which time they go into a high-impedance state. The Intersil drivers respond by turning off both upper and lower MOSFETs. If the over-voltage condition reoccurs, the ISL6559 will again command the lower MOSFETs to turn on. The ISL6559 will continue to protect the load in this fashion as long as the over-voltage repeats.

Second, the OVP pin pulls to VCC and can deliver 100mA into the gate of either a MOSFET or SCR placed across the input voltage ( $V_{IN}$ ) and  $V_{OUT}$ . Turning on the MOSFET or SCR collapses the power rail and causes a fuse placed further up stream to blow. The fuse must be sized such that the MOSFET or SCR will not overheat before the fuse blows.

Once an over-voltage condition is detected, normal PWM operation ceases and PGOOD remains low until the ISL6559 is reset. Cycling the voltage on EN below 1.23V or the bias to VCC below the POR-falling threshold will reset the controller.

### Over-Current Protection

The ISL6559 takes advantage of the proportionality between the load current and the average current,  $I_{AVG}$ , to detect an over-current condition. See the *Channel-Current Balance* section for more detail on how the average current is created. The average current is continually compared with a constant 90 $\mu$ A reference current. Once the average current exceeds the reference current, the comparator triggers the converter to shutdown. The POR circuit places all PWM signals in a high-impedance state which commands the drivers to turn off both upper and lower MOSFETs. PGOOD pulls low and the system remains in this state while the

controller counts 2048 phase clock cycles. This is followed by a soft-start attempt (see *Soft-Start*).

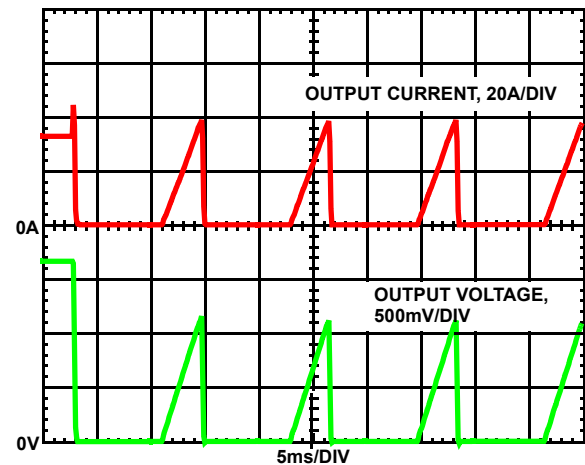


FIGURE 11. OVERCURRENT BEHAVIOR IN HICCUP MODE

During the soft-start interval, the over-current protection circuitry remains active. As the output voltage ramps up, if an over-current condition is detected, the ISL6559 immediately places all PWM signals in a high-impedance state. The ISL6559 repeats the 2048-cycle wait period and follows with another soft-start attempt, as shown in Figure 11. This hiccup mode of operation repeats up to seven times. On the eighth soft-start attempt, the part latches off. Once latched off, the ISL6559 can only be reset when the voltage on EN is brought below 1.23V or VCC is brought below the POR falling threshold. Upon completion of a successful soft-start attempt, operation will continue as normal, PGOOD will return high, and the OC latch counter is reset.

During VID-on-the-fly transitions, the OC comparator output is blanked. The quality and mix of output capacitors used in different applications leads to a wide output capacitance range. Depending upon the magnitude and direction of the VID change, the change in voltage across the output capacitors could result in significant current flow. Summing this instantaneous current with the load current already present could drive the average current above the reference current level and cause an OC trip during the transition. By blanking the OC comparator during the VID-on-the-fly transition, nuisance tripping is avoided.

### General Design Guide

This design guide is intended to provide a high-level explanation of the steps necessary to create a multi-phase power converter. It is assumed that the reader is familiar with many of the basic skills and techniques referenced below. In addition to this guide, Intersil provides complete reference designs that include schematics, bills of materials, and example board layouts for all common microprocessor applications.

## Power Stages

The first step in designing a multi-phase converter is to determine the number of phases. This determination depends heavily on the cost analysis which in turn depends on system constraints that differ from one design to the next. Principally, the designer will be concerned with whether components can be mounted on both sides of the circuit board; whether through-hole components are permitted; and the total board space available for power-supply circuitry. Generally speaking, the most economical solutions are those where each phase handles between 15 and 20A. All surface-mount designs will tend toward the lower end of this current range and, if through-hole MOSFETs can be used, higher per-phase currents are possible. In cases where board space is the limiting constraint, current can be pushed as high as 30A per phase, but these designs require heat sinks and forced air to cool the MOSFETs.

### MOSFETS

The choice of MOSFETs depends on the current each MOSFET will be required to conduct; the switching frequency; the capability of the MOSFETs to dissipate heat; and the availability and nature of heat sinking and air flow.

### LOWER MOSFET POWER CALCULATION

The calculation for heat dissipated in the lower MOSFET is simple, since virtually all of the heat loss in the lower MOSFET is due to current conducted through the channel resistance ( $r_{DS(ON)}$ ). In Equation 13,  $I_M$  is the maximum continuous output current;  $I_{PP}$  is the peak-to-peak inductor current (see Equation 1);  $d$  is the duty cycle ( $V_{OUT}/V_{IN}$ ); and  $L$  is the per-channel inductance.

$$P_L = r_{DS(ON)} \left[ \left( \frac{I_M}{N} \right)^2 (1-d) + \frac{I_{L,PP}^2 (1-d)}{12} \right] \quad (\text{EQ. 13})$$

An additional term can be added to the lower-MOSFET loss equation to account for additional loss accrued during the dead time when inductor current is flowing through the lower-MOSFET body diode. This term is dependent on the diode forward voltage at  $I_M$ ,  $V_{D(ON)}$ ; the switching frequency,  $f_S$ ; and the length of dead times,  $t_{d1}$  and  $t_{d2}$ , at the beginning and the end of the lower-MOSFET conduction interval respectively.

$$P_D = V_{D(ON)} f_S \left[ \left( \frac{I_M}{N} + \frac{I_{PP}}{2} \right) t_{d1} + \left( \frac{I_M}{N} - \frac{I_{PP}}{2} \right) t_{d2} \right] \quad (\text{EQ. 14})$$

Thus the total maximum power dissipated in each lower MOSFET is approximated by the summation of  $P_L$  and  $P_D$ .

### UPPER MOSFET POWER CALCULATION

In addition to  $r_{DS(ON)}$  losses, a large portion of the upper-MOSFET losses are due to currents conducted across the input voltage ( $V_{IN}$ ) during switching. Since a substantially higher portion of the upper-MOSFET losses are dependent on switching frequency, the power calculation is more

complex. Upper MOSFET losses can be divided into separate components involving the upper-MOSFET switching times; the lower-MOSFET body-diode reverse-recovery charge,  $Q_{rr}$ ; and the upper MOSFET  $r_{DS(ON)}$  conduction loss.

When the upper MOSFET turns off, the lower MOSFET does not conduct any portion of the inductor current until the voltage at the phase node falls below ground. Once the lower MOSFET begins conducting, the current in the upper MOSFET falls to zero as the current in the lower MOSFET ramps up to assume the full inductor current. In Equation 15, the required time for this commutation is  $t_1$  and the approximated associated power loss is  $P_{UP,1}$ .

$$P_{UP,1} \approx V_{IN} \left( \frac{I_M}{N} + \frac{I_{PP}}{2} \right) \left( \frac{t_1}{2} \right) f_S \quad (\text{EQ. 15})$$

The upper MOSFET begins to conduct and this transition occurs over a time  $t_2$ . In Equation 16, the approximate power loss is  $P_{UP,2}$ .

$$P_{UP,2} \approx V_{IN} \left( \frac{I_M}{N} - \frac{I_{PP}}{2} \right) \left( \frac{t_2}{2} \right) f_S \quad (\text{EQ. 16})$$

A third component involves the lower MOSFET's reverse-recovery charge,  $Q_{rr}$ . Since the inductor current has fully commutated to the upper MOSFET before the lower-MOSFET's body diode can draw all of  $Q_{rr}$ , it is conducted through the upper MOSFET across  $V_{IN}$ . The power dissipated as a result is  $P_{UP,3}$  and is approximately

$$P_{UP,3} = V_{IN} Q_{rr} f_S \quad (\text{EQ. 17})$$

Finally, the resistive part of the upper MOSFET's is given in Equation 18 as  $P_{UP,4}$ .

$$P_{UP,4} \approx r_{DS(ON)} \left[ \left( \frac{I_M}{N} \right)^2 d + \frac{I_{PP}^2}{12} \right] \quad (\text{EQ. 18})$$

In this case, of course,  $r_{DS(ON)}$  is the on resistance of the upper MOSFET.

The total power dissipated by the upper MOSFET at full load can now be approximated as the summation of the results from Equations 15, 16, 17 and 18. Since the power equations depend on MOSFET parameters, choosing the correct MOSFETs can be an iterative process that involves repetitively solving the loss equations for different MOSFETs and different switching frequencies until converging upon the best solution.

### Current Sensing

The ISEN pins are denoted ISEN1, ISEN2, ISEN3 and ISEN4. The resistors connected between these pins and their respective phase nodes determine the gains in the load-line regulation loop and the channel-current balance



each of the three cases which follow, there is a separate set of equations for the compensation components.

Case 1:  $\frac{1}{2\pi\sqrt{LC}} > f_0$

$$R_C = R_{FB} \frac{2\pi f_0 V_{PP} \sqrt{LC}}{0.75 V_{IN}}$$

$$C_C = \frac{0.75 V_{IN}}{2\pi V_{PP} R_{FB} f_0}$$

Case 2:  $\frac{1}{2\pi\sqrt{LC}} \leq f_0 < \frac{1}{2\pi C(ESR)}$

$$R_C = R_{FB} \frac{V_{PP}(2\pi)^2 f_0^2 LC}{0.75 V_{IN}} \quad (\text{EQ. 23})$$

$$C_C = \frac{0.75 V_{IN}}{(2\pi)^2 f_0^2 V_{PP} R_{FB} \sqrt{LC}}$$

Case 3:  $f_0 > \frac{1}{2\pi C(ESR)}$

$$R_C = R_{FB} \frac{2\pi f_0 V_{PP} L}{0.75 V_{IN}(ESR)}$$

$$C_C = \frac{0.75 V_{IN}(ESR)\sqrt{C}}{2\pi V_{PP} R_{FB} f_0 \sqrt{L}}$$

In Equations 23, L is the per-channel filter inductance divided by the number of active channels; C is the sum total of all output capacitors; ESR is the equivalent-series resistance of the bulk output-filter capacitance; and  $V_{PP}$  is the peak-to-peak sawtooth signal amplitude as described in Figure 4 and *Electrical Specifications*.

Once selected, the compensation values in Equations 23 assure a stable converter with reasonable transient performance. In most cases, transient performance can be improved by making adjustments to  $R_C$ . Slowly increase the value of  $R_C$  while observing the transient performance on an oscilloscope until no further improvement is noted. Normally,  $C_C$  will not need adjustment. Keep the value of  $C_C$  from Equations 23 unless some performance issue is noted.

The optional capacitor  $C_2$ , is sometimes needed to bypass noise away from the PWM comparator (see Figure 12). Keep a position available for  $C_2$ , and be prepared to install a high-frequency capacitor of between 22pF and 150pF in case any trailing edge jitter problem is noted.

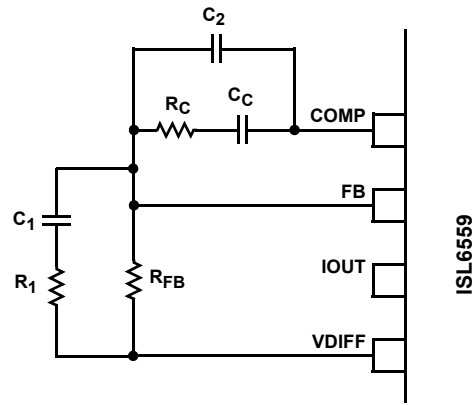


FIGURE 13. COMPENSATION CIRCUIT FOR ISL6559 BASED CONVERTER WITHOUT LOAD-LINE REGULATION.

### COMPENSATION WITHOUT LOAD-LINE REGULATION

The non load-line regulated converter is accurately modeled as a voltage-mode regulator with two poles at the L-C resonant frequency and a zero at the ESR frequency. A type III controller, as shown in Figure 13, provides the necessary compensation.

The first step is to choose the desired bandwidth,  $f_0$ , of the compensated system. Choose a frequency high enough to assure adequate transient performance but not higher than 1/3 of the switching frequency. The type-III compensator has an extra high-frequency pole,  $f_{HF}$ . This pole can be used for added noise rejection or to assure adequate attenuation at the error-amplifier high-order pole and zero frequencies. A good general rule is to choose  $f_{HF} = 10f_0$ , but it can be higher if desired. Choosing  $f_{HF}$  to be lower than  $10f_0$  can cause problems with too much phase shift below the system bandwidth.

In the solutions to the compensation equations, there is a single degree of freedom. For the solutions presented in Equations 24,  $R_{FB}$  is selected arbitrarily. The remaining compensation components are then selected according to Equations 24.

$$R_1 = R_{FB} \frac{C(ESR)}{\sqrt{LC} - C(ESR)}$$

$$C_1 = \frac{\sqrt{LC} - C(ESR)}{R_{FB}}$$

$$C_2 = \frac{0.75 V_{IN}}{(2\pi)^2 f_0 f_{HF} \sqrt{LC} R_{FB} V_{PP}}$$

$$R_C = \frac{V_{PP}(2\pi)^2 f_0 f_{HF} L C R_{FB}}{0.75 V_{IN} \left[ (2\pi f_{HF} \sqrt{LC} - 1) \right]}$$

$$C_C = \frac{0.75 V_{IN} (2\pi f_{HF} \sqrt{LC} - 1)}{(2\pi)^2 f_0 f_{HF} \sqrt{LC} R_{FB} V_{PP}} \quad (\text{EQ. 24})$$

In Equations 24, L is the per-channel filter inductance divided by the number of active channels; C is the sum total of all output capacitors; ESR is the equivalent-series resistance of the bulk output-filter capacitance; and  $V_{PP}$  is the peak-to-peak sawtooth signal amplitude as described in Figure 4 and *Electrical Specifications*.

### Output Filter Design

The output inductors and the output capacitor bank together form a low-pass filter responsible for smoothing the pulsating voltage at the phase nodes. The output filter also must provide the transient energy during the interval of time after the beginning of the transient until the regulator can respond. Because it has a low bandwidth compared to the switching frequency, the output filter necessarily limits the system transient response leaving the output capacitor bank to supply or sink load current while the current in the output inductors increases or decreases to meet the demand.

In high-speed converters, the output capacitor bank is usually the most costly (and often the largest) part of the circuit. Output filter design begins with minimizing the cost of this part of the circuit. The critical load parameters in choosing the output capacitors are the maximum size of the load step,  $\Delta I$ ; the load-current slew rate,  $di/dt$ ; and the maximum allowable output-voltage deviation under transient loading,  $\Delta V_{MAX}$ . Capacitors are characterized according to their capacitance, ESR, and ESL (equivalent series inductance).

At the beginning of the load transient, the output capacitors supply all of the transient current. The output voltage will initially deviate by an amount approximated by the voltage drop across the ESL. As the load current increases, the voltage drop across the ESR increases linearly until the load current reaches its final value. The capacitors selected must have sufficiently low ESL and ESR so that the total output-voltage deviation is less than the allowable maximum. Neglecting the contribution of inductor current and regulator response, the output voltage initially deviates by an amount

$$\Delta V \approx (ESL) \frac{di}{dt} + (ESR) \Delta I \quad (\text{EQ. 25})$$

The filter capacitor must have sufficiently low ESL and ESR so that  $\Delta V < \Delta V_{MAX}$ .

Most capacitor solutions rely on a mixture of high-frequency capacitors with relatively low capacitance in combination with bulk capacitors having high capacitance but limited high-frequency performance. Minimizing the ESL of the high-frequency capacitors allows them to support the output voltage as the current increases. Minimizing the ESR of the bulk capacitors allows them to supply the increased current with less output voltage deviation.

The ESR of the bulk capacitors also creates the majority of the output-voltage ripple. As the bulk capacitors sink and

source the inductor ac ripple current (see *Interleaving* and Equation 2), a voltage develops across the bulk-capacitor ESR equal to  $I_{C,PP}$  (ESR). Thus, once the output capacitors are selected, the maximum allowable ripple voltage,  $V_{PP(MAX)}$ , determines the lower limit on the inductance.

$$L \geq (ESR) \frac{(V_{IN} - NV_{OUT}) V_{OUT}}{f_S V_{IN} V_{PP(MAX)}} \quad (\text{EQ. 26})$$

Since the capacitors are supplying a decreasing portion of the load current while the regulator recovers from the transient, the capacitor voltage becomes slightly depleted. The output inductors must be capable of assuming the entire load current before the output voltage decreases more than  $\Delta V_{MAX}$ . This places an upper limits on inductance.

$$L \leq \frac{2NCV_O}{(\Delta I)^2} [\Delta V_{MAX} - \Delta I(ESR)] \quad (\text{EQ. 27})$$

$$L \leq \frac{(1.25)NC}{(\Delta I)^2} [\Delta V_{MAX} - \Delta I(ESR)] (V_{IN} - V_O) \quad (\text{EQ. 28})$$

Equation 28 gives the upper limit on L for the cases when the trailing edge of the current transient causes a greater output-voltage deviation than the leading edge. Equation 27 addresses the leading edge. Normally, the trailing edge dictates the selection of L because duty cycles are usually less than 50%. Nevertheless, both inequalities should be evaluated, and L should be selected based on the lower of the two results. In each equation, L is the per-channel inductance, C is the total output capacitance, and N is the number of active channels.

### Input Supply Voltage Selection

The VCC input of the ISL6559 can be connected to either a +5V supply directly or through a current limiting resistor to a +12V supply. An integrated 5.8V shunt regulator maintains the voltage on the VCC pin when a +12V supply is used. A 300 $\Omega$  resistor is suggested for limiting the current into the VCC pin to approximately 20mA.

### Switching Frequency

There are a number of variables to consider when choosing the switching frequency, as there are considerable effects on the upper-MOSFET loss calculation. These effects are outlined in *MOSFETs*, and they establish the upper limit for the switching frequency. The lower limit is established by the requirement for fast transient response and small output-voltage ripple as outlined in *Output Filter Design*. Choose the lowest switching frequency that allows the regulator to meet the transient-response requirements.

Switching frequency is determined by the selection of the frequency-setting resistor,  $R_T$  (see the figure *Typical*

Application on page 3). Figure 15 and Equation 29 are provided to assist in the selecting the correct value for  $R_T$ .

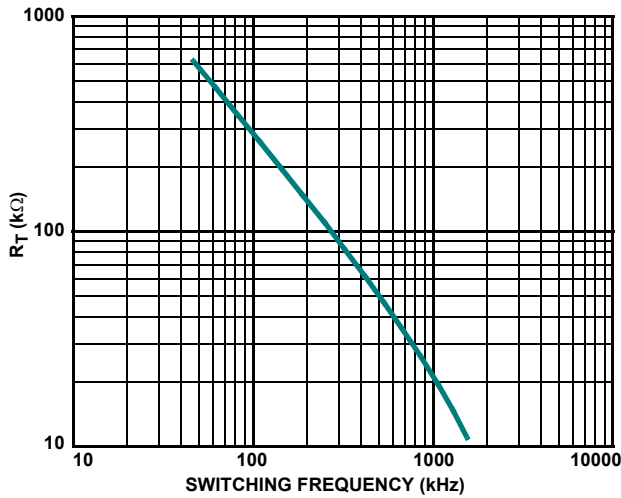


FIGURE 14.  $R_T$  vs SWITCHING FREQUENCY

$$R_T = 10^{[11.09 - 1.13\log(f_s)]} \quad (\text{EQ. 29})$$

**Input Capacitor Selection**

The input capacitors are responsible for sourcing the ac component of the input current flowing into the upper MOSFETs. Their RMS current capacity must be sufficient to handle the ac component of the current drawn by the upper MOSFETs which is related to duty cycle and the number of active phases.

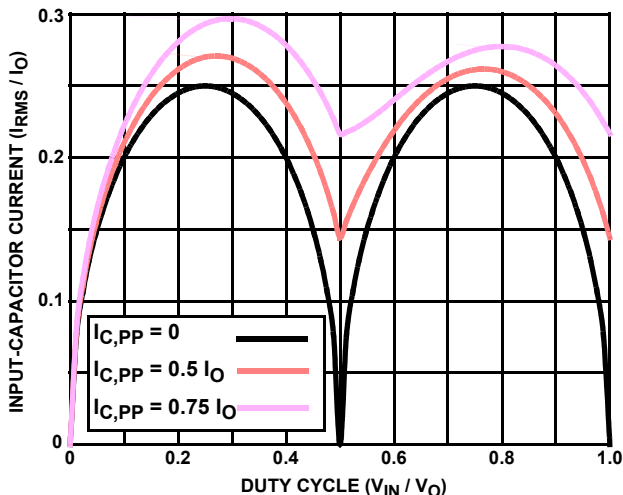


FIGURE 15. NORMALIZED INPUT-CAPACITOR RMS CURRENT VS DUTY CYCLE FOR 2-PHASE CONVERTER

For a two phase design, use Figure 15 to determine the input-capacitor RMS current requirement given the duty cycle, maximum sustained output current ( $I_O$ ), and the ratio of the combined peak-to-peak inductor current ( $I_{C,PP}$ ) to  $I_O$ .

Select a bulk capacitor with a ripple current rating which will minimize the total number of input capacitors required to support the RMS current calculated. The voltage rating of the capacitors should also be at least 1.25 times greater than the maximum input voltage.

Figures 16 and 17 provide the same input RMS current information for three and four phase designs respectively. Use the same approach to selecting the bulk capacitor type and number as described above.

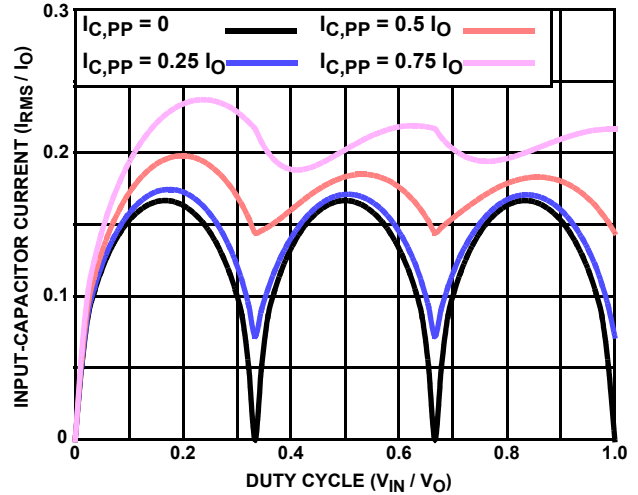


FIGURE 16. NORMALIZED INPUT-CAPACITOR RMS CURRENT VS DUTY CYCLE FOR 3-PHASE CONVERTER

Low capacitance, high-frequency ceramic capacitors are needed in addition to the bulk capacitors to suppress leading and falling edge voltage spikes. The result from the high current slew rates produced by the upper MOSFETs turn on and off. Select low ESL ceramic capacitors and place one as close as possible to each upper MOSFET drain to minimize board parasitics and maximize suppression.

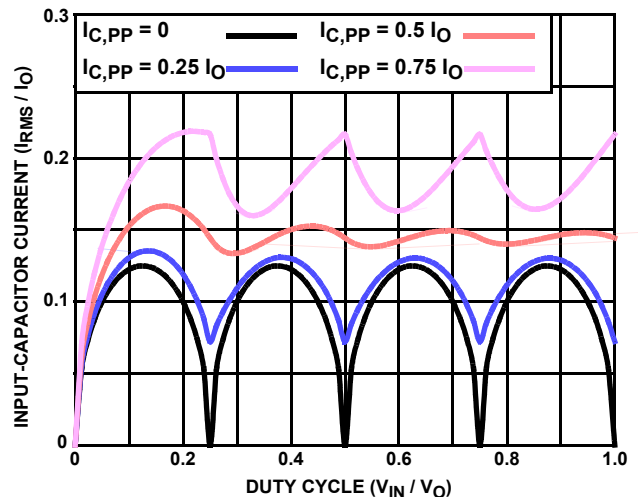


FIGURE 17. NORMALIZED INPUT-CAPACITOR RMS CURRENT VS DUTY CYCLE FOR 4-PHASE CONVERTER

## MULTIPHASE RMS IMPROVEMENT

Figure 18 is provided as a reference to demonstrate the dramatic reductions in input-capacitor RMS current upon the implementation of the multiphase topology. For example, compare the input rms current requirements of a two-phase converter versus that of a single phase. Assume both converters have a duty cycle of 0.25, maximum sustained output current of 40A, and a ratio of  $I_{C,PP}$  to  $I_O$  of 0.5. The single phase converter would require 17.3 Arms current capacity while the two-phase converter would only require 10.9 Arms. The advantages become even more pronounced when output current is increased and additional phases are added to keep the component cost down relative to the single phase approach.

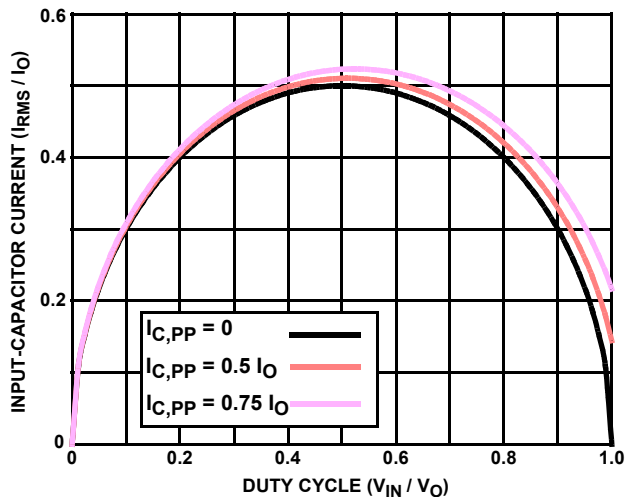


FIGURE 18. NORMALIZED INPUT-CAPACITOR RMS CURRENT VS DUTY CYCLE FOR SINGLE-PHASE CONVERTER

## Layout Considerations

The following multi-layer printed circuit board layout strategies minimize the impact of board parasitics on converter performance. The following sections highlight some important practices which should not be overlooked during the layout process.

### Component Placement

Within the allotted implementation area, orient the switching components first. The switching components are the most critical because they switch large amounts of energy and tend to generate large amounts of noise. How the switching components are placed should also take into account power dissipation. Align the output inductors and MOSFETs such that space between the components is minimized while creating the PHASE plane. Place the Intersil HIP660X drivers as close as possible to the MOSFETs they control to reduce the parasitics due to trace length between critical driver input and output signals. If possible, duplicate the same placement of these components for each phase.

Next, place the input and output capacitors. Position one high-frequency ceramic input capacitor next to each upper

MOSFET drain. Place the bulk input capacitors as close to the upper MOSFET drains as dictated by the component size and dimensions. Long distances between input capacitors and MOSFET drains results in too much trace inductance and a reduction in capacitor performance. Locate the output capacitors between the inductors and the load, while keeping them in close proximity around the microprocessor socket.

The ISL6559 can be placed off to one side or centered relative to the individual phase switching components. Routing of sense lines and PWM signals will guide final placement. Critical small signal components to place close to the controller include the ISEN resistors,  $R_T$  resistor, feedback resistor, and compensation components.

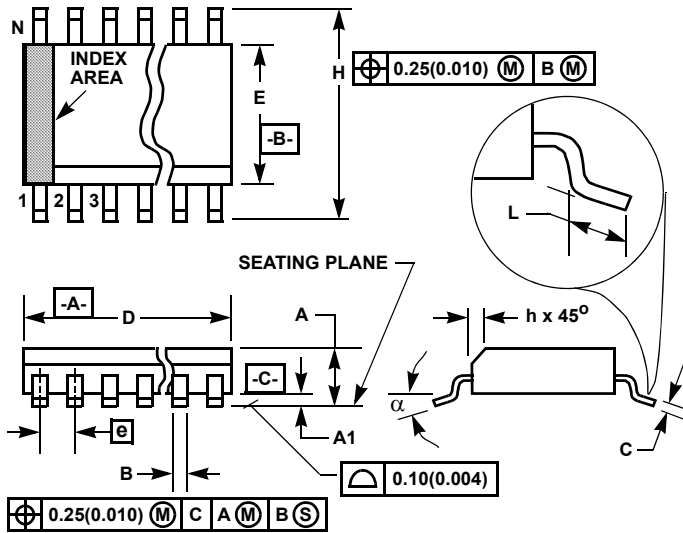
Bypass capacitors for the ISL6559 and HIP660X driver bias supplies must be placed next to their respective pins. Stray trace parasitics will reduce their effectiveness.

### Plane Allocation and Routing

Dedicate one solid layer, usually a middle layer, for a ground plane. Make all critical component ground connections with vias to this plane. Dedicate one additional layer for power planes; breaking the plane up into smaller islands of common voltage. Use the remaining layers for small signal wiring.

Route PHASE planes of copper filled polygons on the top and bottom once the switching component placement is set. Size the trace width between the driver gate pins and the MOSFET gates to carry 1A of current. When routing components in the switching path, use short wide traces to reduce the associated parasitics.

**Small Outline Plastic Packages (SOIC)**



**M28.3 (JEDEC MS-013-AE ISSUE C)  
28 LEAD WIDE BODY SMALL OUTLINE PLASTIC PACKAGE**

SYMBOL	INCHES		MILLIMETERS		NOTES
	MIN	MAX	MIN	MAX	
A	0.0926	0.1043	2.35	2.65	-
A1	0.0040	0.0118	0.10	0.30	-
B	0.013	0.0200	0.33	0.51	9
C	0.0091	0.0125	0.23	0.32	-
D	0.6969	0.7125	17.70	18.10	3
E	0.2914	0.2992	7.40	7.60	4
e	0.05 BSC		1.27 BSC		-
H	0.394	0.419	10.00	10.65	-
h	0.01	0.029	0.25	0.75	5
L	0.016	0.050	0.40	1.27	6
N	28		28		7
alpha	0°	8°	0°	8°	-

**NOTES:**

1. Symbols are defined in the "MO Series Symbol List" in Section 2.2 of Publication Number 95.
2. Dimensioning and tolerancing per ANSI Y14.5M-1982.
3. Dimension "D" does not include mold flash, protrusions or gate burrs. Mold flash, protrusion and gate burrs shall not exceed 0.15mm (0.006 inch) per side.
4. Dimension "E" does not include interlead flash or protrusions. Interlead flash and protrusions shall not exceed 0.25mm (0.010 inch) per side.
5. The chamfer on the body is optional. If it is not present, a visual index feature must be located within the crosshatched area.
6. "L" is the length of terminal for soldering to a substrate.
7. "N" is the number of terminal positions.
8. Terminal numbers are shown for reference only.
9. The lead width "B", as measured 0.36mm (0.014 inch) or greater above the seating plane, shall not exceed a maximum value of 0.61mm (0.024 inch)
10. Controlling dimension: MILLIMETER. Converted inch dimensions are not necessarily exact.

Rev. 0 12/93

© Copyright Intersil Americas LLC 2002-2004. All Rights Reserved.  
All trademarks and registered trademarks are the property of their respective owners.

For additional products, see [www.intersil.com/en/products.html](http://www.intersil.com/en/products.html)

Intersil products are manufactured, assembled and tested utilizing ISO9001 quality systems as noted in the quality certifications found at [www.intersil.com/en/support/qualandreliability.html](http://www.intersil.com/en/support/qualandreliability.html)

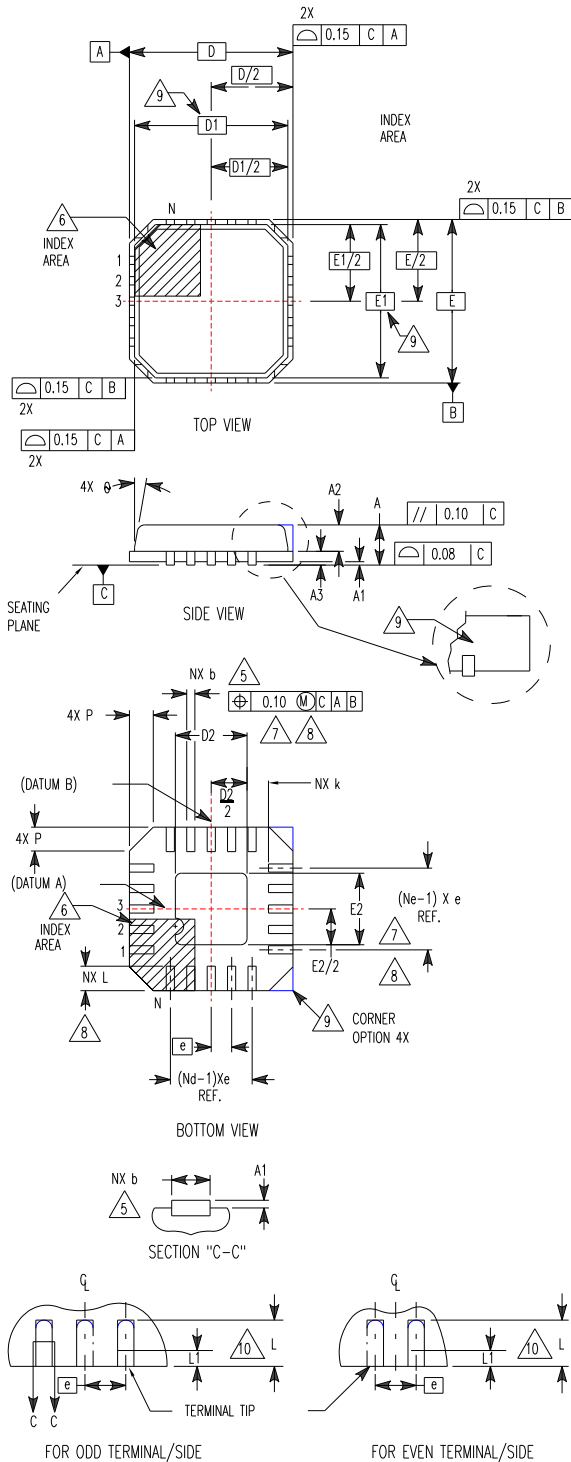
*Intersil products are sold by description only. Intersil may modify the circuit design and/or specifications of products at any time without notice, provided that such modification does not, in Intersil's sole judgment, affect the form, fit or function of the product. Accordingly, the reader is cautioned to verify that datasheets are current before placing orders. Information furnished by Intersil is believed to be accurate and reliable. However, no responsibility is assumed by Intersil or its subsidiaries for its use; nor for any infringements of patents or other rights of third parties which may result from its use. No license is granted by implication or otherwise under any patent or patent rights of Intersil or its subsidiaries.*

For information regarding Intersil Corporation and its products, see [www.intersil.com](http://www.intersil.com)

**Quad Flat No-Lead Plastic Package (QFN)  
Micro Lead Frame Plastic Package (MLFP)**

**L32.5x5**

32 LEAD QUAD FLAT NO-LEAD PLASTIC PACKAGE  
(COMPLIANT TO JEDEC MO-220VHHD-2 ISSUE C



SYMBOL	MILLIMETERS			NOTES
	MIN	NOMINAL	MAX	
A	0.80	0.90	1.00	-
A1	-	-	0.05	-
A2	-	-	1.00	9
A3	0.20 REF			9
b	0.18	0.23	0.30	5,8
D	5.00 BSC			-
D1	4.75 BSC			9
D2	2.95	3.10	3.25	7,8
E	5.00 BSC			-
E1	4.75 BSC			9
E2	2.95	3.10	3.25	7,8
e	0.50 BSC			-
k	0.25	-	-	-
L	0.30	0.40	0.50	8
L1	-	-	0.15	10
N	32			2
Nd	8			3
Ne	8	8	-	3
P	-	-	0.60	9
θ	-	-	12	9

Rev. 1 10/02

**NOTES:**

1. Dimensioning and tolerancing conform to ASME Y14.5-1994.
2. N is the number of terminals.
3. Nd and Ne refer to the number of terminals on each D and E.
4. All dimensions are in millimeters. Angles are in degrees.
5. Dimension b applies to the metallized terminal and is measured between 0.15mm and 0.30mm from the terminal tip.
6. The configuration of the pin #1 identifier is optional, but must be located within the zone indicated. The pin #1 identifier may be either a mold or mark feature.
7. Dimensions D2 and E2 are for the exposed pads which provide improved electrical and thermal performance.
8. Nominal dimensions are provided to assist with PCB Land Pattern Design efforts, see Intersil Technical Brief TB389.
9. Features and dimensions A2, A3, D1, E1, P & θ are present when Anvil singulation method is used and not present for saw singulation.
10. Depending on the method of lead termination at the edge of the package, a maximum 0.15mm pull back (L1) maybe present. L minus L1 to be equal to or greater than 0.3mm.

## Looking for pricing, stock, or lifecycle information?

Click below to explore more details on WIN SOURCE:

 [View ISL6559CBZ-T on WIN SOURCE](#)

 [Intersil Information](#)

## Optimize Your Supply Chain with WIN SOURCE Solutions

-  Global Sourcing Solution
-  Obsolete Management
-  Cost Control Management
-  Shortage Management
-  Alternative Solution
-  Excess Inventory Management