



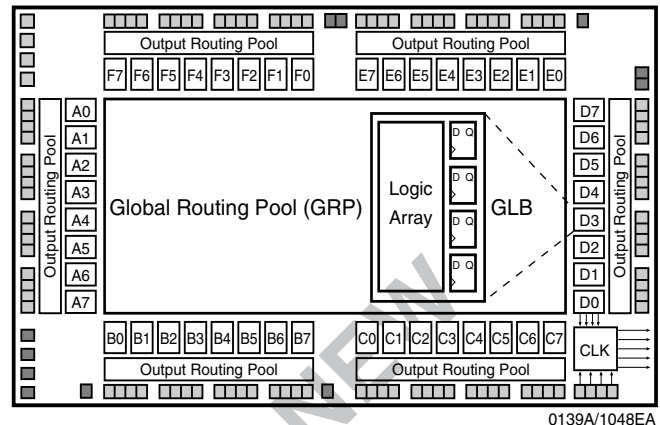
**THE DATASHEET OF
ISPLSI1048EA-100LT**



Features

- **HIGH DENSITY PROGRAMMABLE LOGIC**
 - 8,000 PLD Gates
 - 96 I/O Pins, Eight Dedicated Inputs
 - 288 Registers
 - High-Speed Global Interconnects
 - Wide Input Gating for Fast Counters, State Machines, Address Decoders, etc.
 - Small Logic Block Size for Random Logic
 - Functionally Compatible with ispLSI 1048C and 1048E
- **NEW FEATURES**
 - 100% IEEE 1149.1 Boundary Scan Testable
 - ispJTAG[™] In-System Programmable Via IEEE 1149.1 (JTAG) Test Access Port
 - User Selectable 3.3V or 5V I/O supports Mixed Voltage Systems (V_{CCIO} Pin)
 - Open Drain Output Option
- **HIGH PERFORMANCE E²CMOS[®] TECHNOLOGY**
 - f_{max} = 170 MHz Maximum Operating Frequency
 - t_{pd} = 5.0 ns Propagation Delay
 - TTL Compatible Inputs and Outputs
 - Electrically Eraseable and Reprogrammable
 - Non-Volatile
 - 100% Tested at Time of Manufacture
- **IN-SYSTEM PROGRAMMABLE**
 - Increased Manufacturing Yields, Reduced Time-to-Market and Improved Product Quality
 - Reprogram Soldered Devices for Faster Prototyping
- **OFFERS THE EASE OF USE AND FAST SYSTEM SPEED OF PLDs WITH THE DENSITY AND FLEXIBILITY OF FIELD PROGRAMMABLE GATE ARRAYS**
 - Complete Programmable Device Can Combine Glue Logic and Structured Designs
 - Enhanced Pin Locking Capability
 - Four Dedicated Clock Input Pins
 - Synchronous and Asynchronous Clocks
 - Programmable Output Slew Rate Control to Minimize Switching Noise
 - Flexible Pin Placement
 - Optimized Global Routing Pool Provides Global Interconnectivity

Functional Block Diagram



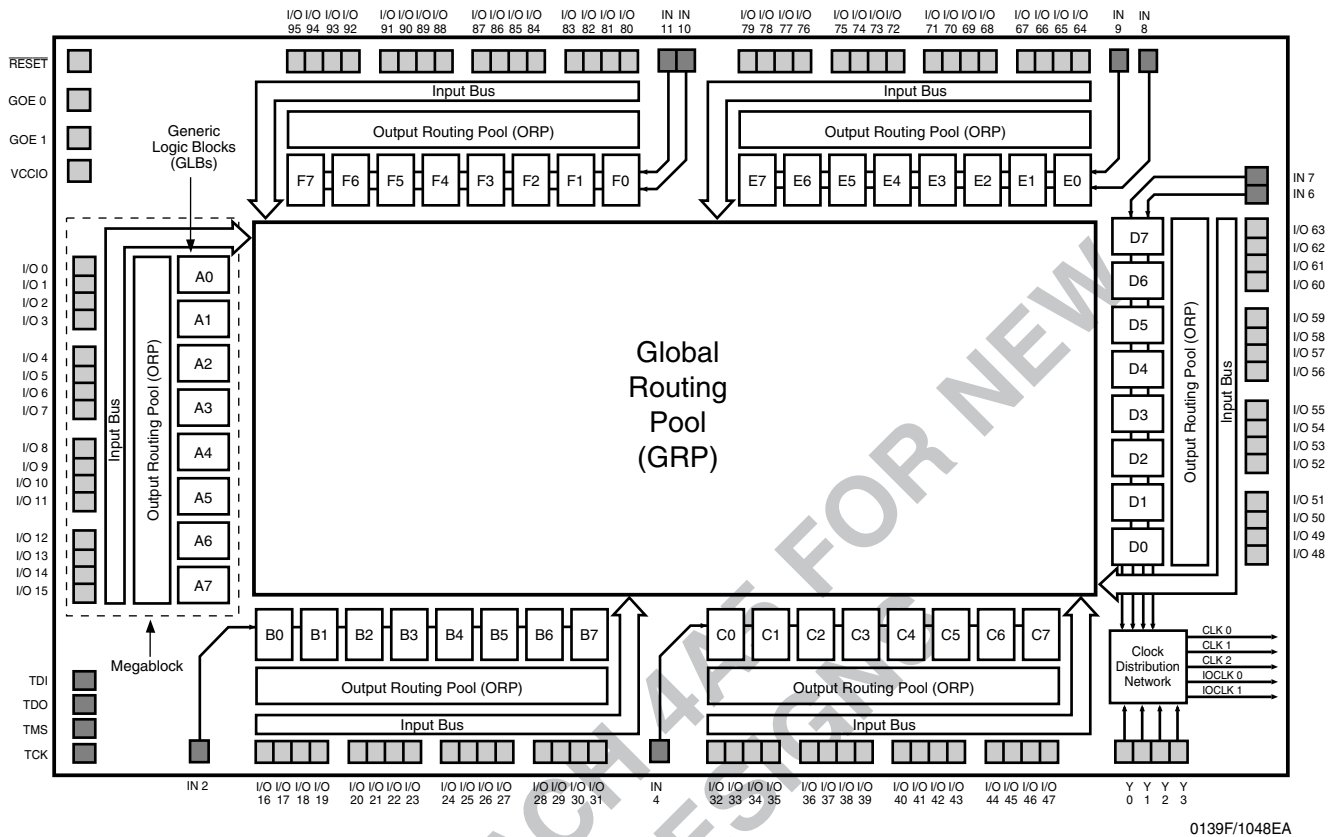
Description

The ispLSI 1048EA is a High Density Programmable Logic Device containing 288 Registers, 96 Universal I/O pins, eight Dedicated Input pins, four Dedicated Clock Input pins, two dedicated Global OE input pins, and a Global Routing Pool (GRP). The GRP provides complete interconnectivity between all of these elements. The ispLSI 1048EA features 5V in-system programmability and in-system diagnostic capabilities via IEEE 1149.1 Test Access Port. The ispLSI 1048EA offers non-volatile reprogrammability of the logic, as well as the interconnect to provide truly reconfigurable systems. A functional superset of the ispLSI 1048 architecture, the ispLSI 1048EA device adds user selectable 3.3V or 5V I/O and open-drain output options.

The basic unit of logic on the ispLSI 1048EA device is the Generic Logic Block (GLB). The GLBs are labeled A0, A1...F7 (see Figure 1). There are a total of 48 GLBs in the ispLSI 1048EA device. Each GLB has 18 inputs, a programmable AND/OR/Exclusive OR array, and four outputs which can be configured to be either combinatorial or registered. Inputs to the GLB come from the GRP and dedicated inputs. All of the GLB outputs are brought back into the GRP so that they can be connected to the inputs of any other GLB on the device.

Functional Block Diagram

Figure 1. ispLSI 1048EA Functional Block Diagram



The device also has 96 I/O cells, each of which is directly connected to an I/O pin. Each I/O cell can be individually programmed to be a combinatorial input, registered input, latched input, output or bi-directional I/O pin with 3-state control. The signal levels are TTL compatible voltages and the output drivers can source 2mA or sink 8mA. Each output can be programmed independently for fast or slow output slew rate to minimize overall output switching noise. By connecting the VCCIO pin to a common 5V or 3.3V power supply, I/O output levels can be matched to 5V or 3.3V compatible voltages.

Eight GLBs, 16 I/O cells, dedicated inputs (if available) and one ORP are connected together to make a Megablock (Figure 1). The outputs of the eight GLBs are connected to a set of 16 universal I/O cells by the ORP. Each ispLSI 1048EA device contains six Megablocks.

The GRP has, as its inputs, the outputs from all of the GLBs and all of the inputs from the bi-directional I/O cells. All of these signals are made available to the inputs of the GLBs. Delays through the GRP have been equalized to minimize timing skew.

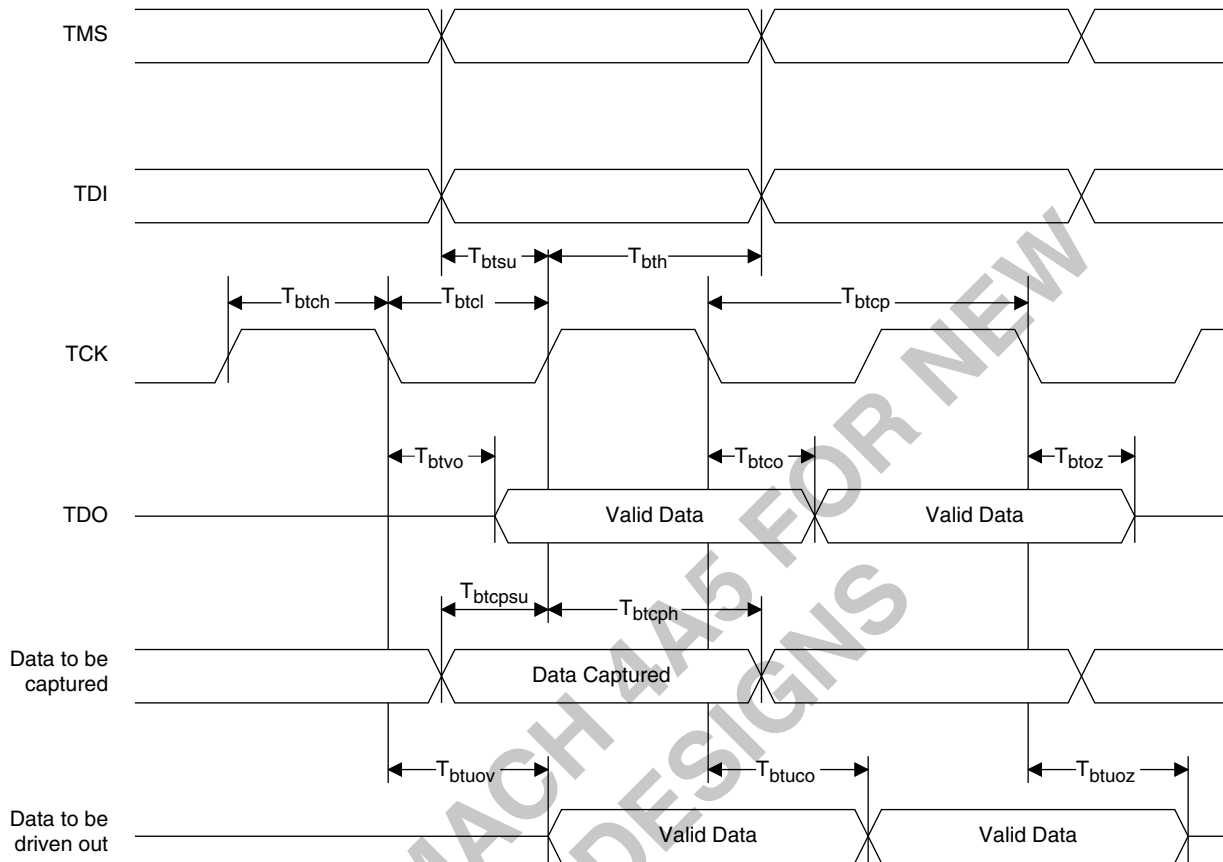
Clocks in the ispLSI 1048EA device are selected using the Clock Distribution Network. Four dedicated clock pins (Y0, Y1, Y2 and Y3) are brought into the distribution network, and five clock outputs (CLK 0, CLK 1, CLK 2, IOCLK 0 and IOCLK 1) are provided to route clocks to the GLBs and I/O cells. The Clock Distribution Network can also be driven from a special clock GLB (D0). The logic of this GLB allows the user to create an internal clock from a combination of internal signals within the device.

Programmable Open-Drain Outputs

In addition to the standard output configuration, the outputs of the ispLSI 1048EA are individually programmable, either as a standard totem-pole output or an open-drain output. The totem-pole output drives the specified Voh and Vol levels, whereas the open-drain output drives only the specified Vol. The Voh level on the open-drain output depends on the external loading and pull-up. This output configuration is controlled by a programmable fuse. The default configuration when the device is in bulk erased state is totem-pole configuration. The open-drain/totem-pole option is selectable through the Lattice software tools.

Boundary Scan

Figure 2. Boundary Scan Waveforms and Timing Specifications



Symbol	Parameter	Min	Max	Units
t_{btcp}	TCK [BSCAN test] clock pulse width	100	–	ns
t_{btch}	TCK [BSCAN test] pulse width high	50	–	ns
t_{btcl}	TCK [BSCAN test] pulse width low	50	–	ns
t_{btsu}	TCK [BSCAN test] setup time	20	–	ns
t_{bth}	TCK [BSCAN test] hold time	25	–	ns
t_{rf}	TCK [BSCAN test] rise and fall time	50	–	mV/ns
t_{btco}	TAP controller falling edge of clock to valid output	–	25	ns
t_{btoz}	TAP controller falling edge of clock to data output disable	–	25	ns
t_{btvo}	TAP controller falling edge of clock to data output enable	–	25	ns
t_{btcpu}	BSCAN test Capture register setup time	40	–	ns
t_{btcpu}	BSCAN test Capture register hold time	25	–	ns
t_{btco}	BSCAN test Update reg, falling edge of clock to valid output	–	50	ns
t_{btoz}	BSCAN test Update reg, falling edge of clock to output disable	–	50	ns
t_{btvo}	BSCAN test Update reg, falling edge of clock to output enable	–	50	ns

Absolute Maximum Ratings ¹

Supply Voltage V_{CC} -0.5 to +7.0V
 Input Voltage Applied -2.5 to $V_{CC} + 1.0V$
 Off-State Output Voltage Applied -2.5 to $V_{CC} + 1.0V$
 Storage Temperature -65 to 150°C
 Case Temp. with Power Applied -55 to 125°C
 Max. Junction Temp. (T_J) with Power Applied ... 150°C

1. Stresses above those listed under the “Absolute Maximum Ratings” may cause permanent damage to the device. Functional operation of the device at these or at any other conditions above those indicated in the operational sections of this specification is not implied (while programming, follow the programming specifications).

DC Recommended Operating Conditions

SYMBOL	PARAMETER		MIN.	MAX.	UNITS
V_{CC}	Supply Voltage	Commercial $T_A = 0^\circ C$ to $+70^\circ C$	4.75	5.25	V
V_{CCIO}	Supply Voltage: Output Drivers	5V	4.75	5.25	V
		3.3V	3.0	3.6	V
V_{IL}	Input Low Voltage		0	0.8	V
V_{IH}	Input High Voltage		2.0	$V_{CC} + 1$	V

Table 2-0005/1048EA

Capacitance ($T_A = 25^\circ C$, $f = 1.0$ MHz)

SYMBOL	PARAMETER	TYPICAL	UNITS	TEST CONDITIONS
C_1	Dedicated Input, I/O, Y1, Y2, Y3, Clock Capacitance	8	pf	$V_{CC} = 5.0V$, $V_{PIN} = 2.0V$
C_2	Y0 Clock Capacitance	10	pf	$V_{CC} = 5.0V$, $V_{PIN} = 2.0V$

Table 2-0006/1048EA

Erase/Reprogram Specifications

PARAMETER	MINIMUM	MAXIMUM	UNITS
Erase/Reprogram Cycles	10000	–	Cycles

Table 2-0008/1048EA

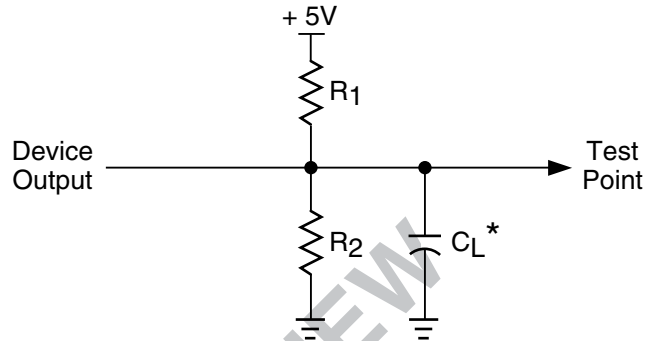
Switching Test Conditions

Input Pulse Levels	GND to 3.0V
Input Rise and Fall Time 10% to 90%	1.5ns
Input Timing Reference Levels	1.5V
Output Timing Reference Levels	1.5V
Output Load	See Figure 3

3-state levels are measured 0.5V from steady-state active level.

Table 2-0003/1048EA

Figure 3. Test Load



* C_L includes Test Fixture and Probe Capacitance.

0213a

Output Load Conditions (see Figure 3)

TEST CONDITION		R1	R2	CL
A		470Ω	390Ω	35pF
B	Active High	∞	390Ω	35pF
	Active Low	470Ω	390Ω	35pF
C	Active High to Z at $V_{OH}-0.5V$	∞	390Ω	5pF
	Active Low to Z at $V_{OL}+0.5V$	470Ω	390Ω	5pF

Table 2-0004a

DC Electrical Characteristics

Over Recommended Operating Conditions

SYMBOL	PARAMETER	CONDITION	MIN.	TYP. ³	MAX.	UNITS
V_{OL}	Output Low Voltage	$I_{OL} = 8 \text{ mA}$	—	—	0.4	V
V_{OH}	Output High Voltage	$I_{OH} = -2 \text{ mA}, V_{CCIO} = 3.0V$	2.4	—	—	V
		$I_{OH} = -4 \text{ mA}, V_{CCIO} = 4.75V$	2.4	—	—	V
I_{IL}	Input or I/O Low Leakage Current	$0V \leq V_{IN} \leq V_{IL} \text{ (Max.)}$	—	—	-10	μA
I_{IH}	Input or I/O High Leakage Current	$(V_{CCIO} - 0.2)V \leq V_{IN} \leq V_{CCIO}$	—	—	10	μA
		$V_{CCIO} \leq V_{IN} \leq 5.25V$	—	—	10	μA
I_{IL-PU}	I/O Active Pull-Up Current	$0V \leq V_{IN} \leq V_{IL}$	—	—	-200	μA
I_{OS}^1	Output Short Circuit Current	$V_{CCIO} = 5.0V \text{ or } 3.3V, V_{OUT} = 0.5V$	—	—	-240	mA
$I_{CC}^{2,4,5}$	Operating Power Supply Current	$V_{IL} = 0.0V, V_{IH} = 3.0V$ $f_{TOGGLE} = 1 \text{ MHz}$	—	190	—	mA

Table 2-0007/1048EA

- One output at a time for a maximum duration of one second. $V_{OUT} = 0.5V$ was selected to avoid test problems by tester ground degradation. Characterized but not 100% tested.
- Measured using eight 16-bit counters.
- Typical values are at $V_{CC} = 5V$ and $T_A = 25^\circ C$.
- Unused inputs held at 0.0V.
- Maximum I_{CC} varies widely with specific device configuration and operating frequency. Refer to the Power Consumption section of this data sheet and the Thermal Management section of the Lattice Semiconductor Data Book CD-ROM to estimate maximum I_{CC} .

External Timing Parameters

Over Recommended Operating Conditions

PARAMETER	TEST COND. ⁴	# ²	DESCRIPTION ¹	-170		-125		-100		UNITS
				MIN.	MAX.	MIN.	MAX.	MIN.	MAX.	
t _{pd1}	A	1	Data Propagation Delay, 4PT Bypass, ORP Bypass	—	5.0	—	7.5	—	10.0	ns
t _{pd2}	A	2	Data Propagation Delay, Worst Case Path	—	7.0	—	10.0	—	12.5	ns
f _{max} (Int.)	A	3	Clock Frequency with Internal Feedback ³	170	—	125	—	100	—	MHz
f _{max} (Ext.)	—	4	Clock Frequency with External Feedback ($\frac{1}{t_{su2} + t_{co1}}$)	125	—	100	—	77	—	MHz
f _{max} (Tog.)	—	5	Clock Frequency, Max. Toggle ($\frac{1}{t_{wh} + t_{wl}}$)	222	—	167	—	125	—	MHz
t _{su1}	—	6	GLB Reg. Setup Time before Clock, 4 PT Bypass	3.5	—	4.5	—	6.0	—	ns
t _{co1}	A	7	GLB Reg. Clock to Output Delay, ORP Bypass	—	3.5	—	4.5	—	6.0	ns
t _{h1}	—	8	GLB Reg. Hold Time after Clock, 4 PT Bypass	0.0	—	0.0	—	0.0	—	ns
t _{su2}	—	9	GLB Reg. Setup Time before Clock	4.5	—	5.5	—	7.0	—	ns
t _{co2}	—	10	GLB Reg. Clock to Output Delay	—	4.5	—	5.5	—	7.0	ns
t _{h2}	—	11	GLB Reg. Hold Time after Clock	0.0	—	0.0	—	0.0	—	ns
t _{r1}	A	12	Ext. Reset Pin to Output Delay	—	7.0	—	10.0	—	13.5	ns
t _{rw1}	—	13	Ext. Reset Pulse Duration	4.0	—	5.0	—	6.5	—	ns
t _{ptoen}	B	14	Input to Output Enable	—	9.0	—	12.0	—	15.0	ns
t _{ptoedis}	C	15	Input to Output Disable	—	9.0	—	12.0	—	15.0	ns
t _{goeen}	B	16	Global OE Output Enable	—	6.5	—	7.0	—	9.0	ns
t _{goedis}	C	17	Global OE Output Disable	—	6.5	—	7.0	—	9.0	ns
t _{wh}	—	18	External Synchronous Clock Pulse Duration, High	2.25	—	3.0	—	4.0	—	ns
t _{wl}	—	19	External Synchronous Clock Pulse Duration, Low	2.25	—	3.0	—	4.0	—	ns
t _{su3}	—	20	I/O Reg. Setup Time before Ext. Sync Clock (Y2, Y3)	3.0	—	3.0	—	3.5	—	ns
t _{h3}	—	21	I/O Reg. Hold Time after Ext. Sync. Clock (Y2, Y3)	0.0	—	0.0	—	0.0	—	ns

1. Unless noted otherwise, all parameters use a GRP load of 4 GLBs, 20 PTXOR path, ORP and Y0 clock.
2. Refer to Timing Model in this data sheet for further details.
3. Standard 16-bit counter using GRP feedback.
4. Reference Switching Test Conditions section.

Table 2-0030A/1048EA
v.2.0

Internal Timing Parameters¹

PARAMETER	# ²	DESCRIPTION	-170		-125		-100		UNITS
			MIN.	MAX.	MIN.	MAX.	MIN.	MAX.	
Inputs									
t_{iobp}	22	I/O Register Bypass	—	0.3	—	0.3	—	0.4	ns
t_{iolat}	23	I/O Latch Delay	—	4.0	—	4.0	—	4.0	ns
t_{iosu}	24	I/O Register Setup Time before Clock	3.0	—	3.0	—	3.4	—	ns
t_{ioh}	25	I/O Register Hold Time after Clock	0.0	—	0.0	—	0.0	—	ns
t_{ioco}	26	I/O Register Clock to Out Delay	—	4.6	—	4.6	—	5.0	ns
t_{ior}	27	I/O Register Reset to Out Delay	—	4.6	—	4.6	—	5.0	ns
t_{din}	28	Dedicated Input Delay	—	1.8	—	1.9	—	2.2	ns
GRP									
t_{grp1}	29	GRP Delay, 1 GLB Load	—	1.4	—	1.7	—	2.1	ns
t_{grp4}	30	GRP Delay, 4 GLB Loads	—	1.6	—	1.9	—	2.3	ns
t_{grp8}	31	GRP Delay, 8 GLB Loads	—	1.8	—	2.1	—	2.5	ns
t_{grp16}	32	GRP Delay, 16 GLB Loads	—	2.2	—	2.5	—	2.9	ns
t_{grp48}	33	GRP Delay, 48 GLB Loads	—	3.8	—	4.1	—	4.5	ns
GLB									
t_{4ptbpc}	34	4 Product Term Bypass Path Delay (Combinatorial)	—	2.1	—	3.4	—	4.9	ns
t_{4ptbpr}	35	4 Product Term Bypass Path Delay (Registered)	—	2.0	—	3.1	—	4.9	ns
t_{1ptxor}	36	1 Product Term/XOR Path Delay	—	2.3	—	3.6	—	4.3	ns
t_{20ptxor}	37	20 Product Term/XOR Path Delay	—	2.2	—	3.6	—	4.3	ns
t_{xoradj}	38	XOR Adjacent Path Delay ³	—	2.2	—	3.6	—	4.3	ns
t_{gbp}	39	GLB Register Bypass Delay	—	1.0	—	1.2	—	2.1	ns
t_{gsu}	40	GLB Register Setup Time before Clock	0.3	—	0.3	—	0.3	—	ns
t_{gh}	41	GLB Register Hold Time after Clock	2.0	—	3.5	—	4.8	—	ns
t_{gco}	42	GLB Register Clock to Output Delay	—	1.4	—	1.4	—	1.7	ns
t_{gro}	43	GLB Register Reset to Output Delay	—	4.7	—	4.9	—	5.0	ns
t_{ptre}	44	GLB Product Term Reset to Register Delay	—	2.7	—	3.8	—	4.5	ns
t_{ptoe}	45	GLB Product Term Output Enable to I/O Cell Delay	—	3.6	—	5.2	—	7.2	ns
t_{ptck}	46	GLB Product Term Clock Delay	1.7	2.7	2.8	3.9	3.5	4.7	ns
t_{gfb}	47	GLB Feedback Delay	—	0.1	—	0.6	—	1.4	ns
ORP									
t_{orp}	48	ORP Delay	—	1.0	—	1.3	—	1.4	ns
t_{orpbp}	49	ORP Bypass Delay	—	0.1	—	0.2	—	0.4	ns

1. Internal Timing Parameters are not tested and are for reference only.

2. Refer to Timing Model in this data sheet for further details.

3. The XOR adjacent path can only be used by hard macros.

Table 2-0036A/1048EA
v.2.0

Internal Timing Parameters¹

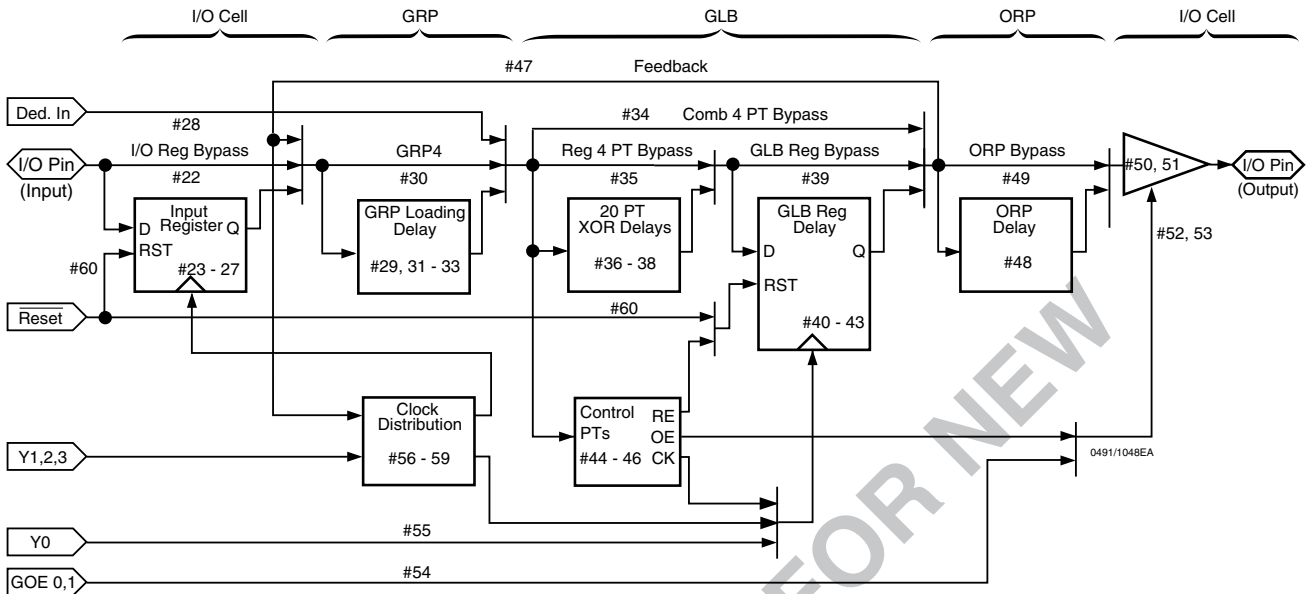
PARAMETER	#	DESCRIPTION	-170		-125		-100		UNITS
			MIN.	MAX.	MIN.	MAX.	MIN.	MAX.	
Outputs									
t_{ob}	50	Output Buffer Delay	—	0.9	—	1.7	—	2.0	ns
t_{sl}	51	Output Slew Limited Delay Adder	—	6.0	—	6.0	—	6.0	ns
t_{oen}	52	I/O Cell OE to Output Enabled	—	3.3	—	4.0	—	5.1	ns
t_{odis}	53	I/O Cell OE to Output Disabled	—	3.3	—	4.0	—	5.1	ns
t_{goe}	54	Global OE	—	2.6	—	3.0	—	3.9	ns
Clocks									
t_{gy0}	55	Clock Delay, Y0 to Global GLB Clock Line (Ref. clock)	0.9	0.9	1.1	1.1	1.9	1.9	ns
t_{gy1/2}	56	Clock Delay, Y1 or Y2 to Global GLB Clock Line	0.9	0.9	0.9	0.9	1.5	1.5	ns
t_{gcp}	57	Clock Delay, Clock GLB to Global GLB Clock Line	0.8	1.8	0.8	1.8	0.8	1.8	ns
t_{ioy2/3}	58	Clock Delay, Y2 or Y3 to I/O Cell Global Clock Line	0.0	0.0	0.0	0.0	0.0	0.0	ns
t_{iocp}	59	Clock Delay, Clock GLB to I/O Cell Global Clock Line	0.8	2.8	0.8	2.8	0.8	2.8	ns
Global Reset									
t_{gr}	60	Global Reset to GLB and I/O Registers	—	0.4	—	2.1	—	5.1	ns

1. Internal timing parameters are not tested and are for reference only.
2. Refer to Timing Model in this data sheet for further details.

Table 2-0037A/1048EA
v.2.0

USE ispmach 4A5 FOR NEW 5V DESIGNS

ispLSI 1048EA Timing Model



Derivations of t_{su} , t_h and t_{co} from the Product Term Clock¹

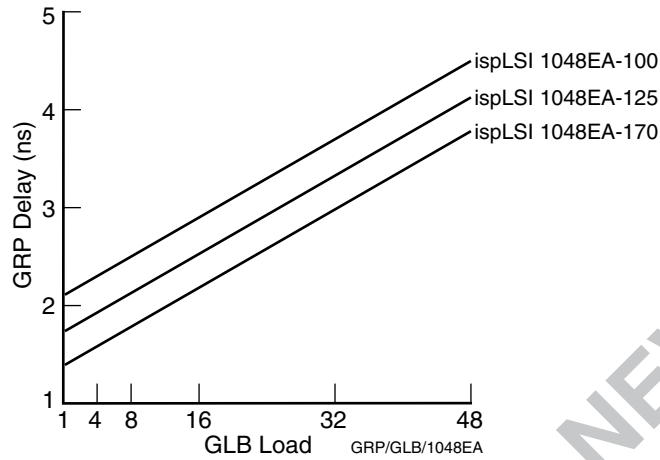
$$\begin{aligned}
 t_{su} &= \text{Logic} + \text{Reg } s_u - \text{Clock (min)} \\
 &= (t_{iobp} + t_{grp4} + t_{20ptxor}) + (t_{gsu}) - (t_{iobp} + t_{grp4} + t_{ptck(min)}) \\
 &= (\#22 + \#30 + \#37) + (\#40) - (\#22 + \#30 + \#46) \\
 0.8 &= (0.3 + 1.6 + 2.2) + (0.3) - (0.3 + 1.6 + 1.7) \\
 \\
 t_h &= \text{Clock (max)} + \text{Reg } h - \text{Logic} \\
 &= (t_{iobp} + t_{grp4} + t_{ptck(max)}) + (t_{gh}) - (t_{iobp} + t_{grp4} + t_{20ptxor}) \\
 &= (\#22 + \#30 + \#46) + (\#41) - (\#22 + \#30 + \#37) \\
 2.5 &= (0.3 + 1.6 + 2.7) + (2.0) - (0.3 + 1.6 + 2.2) \\
 \\
 t_{co} &= \text{Clock (max)} + \text{Reg } c_o + \text{Output} \\
 &= (t_{iobp} + t_{grp4} + t_{ptck(max)}) + (t_{gco}) + (t_{orp} + t_{ob}) \\
 &= (\#22 + \#30 + \#46) + (\#42) + (\#48 + \#50) \\
 7.9 &= (0.3 + 1.6 + 2.7) + (1.4) + (1.0 + 0.9)
 \end{aligned}$$

Derivations of t_{su} , t_h and t_{co} from the Clock GLB¹

$$\begin{aligned}
 t_{su} &= \text{Logic} + \text{Reg (setup)} - \text{Clock (min)} \\
 &= (t_{iobp} + t_{grp4} + t_{20ptxor}) + (t_{gsu}) - (t_{gy0(min)} + t_{gco} + t_{gcp(min)}) \\
 &= (\#22 + \#30 + \#37) + (\#40) - (\#55 + \#42 + \#57) \\
 1.3 &= (0.3 + 1.6 + 2.2) + (0.3) - (0.9 + 1.4 + 0.8) \\
 \\
 t_h &= \text{Clock (max)} + \text{Reg (hold)} - \text{Logic} \\
 &= (t_{gy0(max)} + t_{gco} + t_{gcp(max)}) + (t_{gh}) - (t_{iobp} + t_{grp4} + t_{20ptxor}) \\
 &= (\#55 + \#42 + \#57) + (\#41) - (\#22 + \#30 + \#37) \\
 2.0 &= (0.9 + 1.4 + 1.8) + (2.0) - (0.3 + 1.6 + 2.2) \\
 \\
 t_{co} &= \text{Clock (max)} + \text{Reg (clock-to-out)} + \text{Output} \\
 &= (t_{gy0(max)} + t_{gco} + t_{gcp(max)}) + (t_{gco}) + (t_{orp} + t_{ob}) \\
 &= (\#55 + \#42 + \#57) + (\#42) + (\#48 + \#50) \\
 7.4 &= (0.9 + 1.4 + 1.8) + (1.4) + (1.0 + 0.9)
 \end{aligned}$$

1. Calculations are based upon timing specifications for the ispLSI 1048EA-170.

Maximum GRP Delay vs. GLB Loads

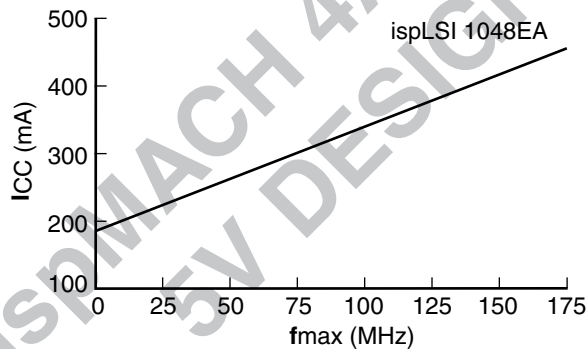


Power Consumption

Power consumption in the ispLSI 1048EA device depends on two primary factors: the speed at which the device is operating and the number of Product Terms

used. Figure 4 shows the relationship between power and operating speed.

Figure 4. Typical Device Power Consumption vs fmax



Notes: Configuration of twelve 16-bit counters, Typical current at 5V, 25°C

Icc can be estimated for the ispLSI 1048EA using the following equation:

$$I_{cc} = 20\text{mA} + (\# \text{ of PTs} * .45) + (\# \text{ of nets} * \text{Max Freq} * .0087)$$

Where:

- # of PTs = Number of Product Terms used in design
- # of nets = Number of Signals used in device
- Max freq = Highest Clock Frequency to the device (in MHz)

The Icc estimate is based on typical conditions (Vcc = 5.0V, room temperature) and an assumption of four GLB loads on average exists. These values are for estimates only. Since the value of Icc is sensitive to operating conditions and the program in the device, the actual Icc should be verified.

0127/1048EA

Package Thermal Characteristics

For the ispLSI 1048EA-170, it is strongly recommended that the actual Icc be verified to ensure that the maximum junction temperature (Tj) with power supplied is not exceeded. Depending on the specific logic design and clock speed, airflow may be required to satisfy the maxi-

imum allowable junction temperature (Tj) specification. Please refer to the Thermal Management section of the Lattice Semiconductor Data Book or CD-ROM for additional information on calculating Tj.

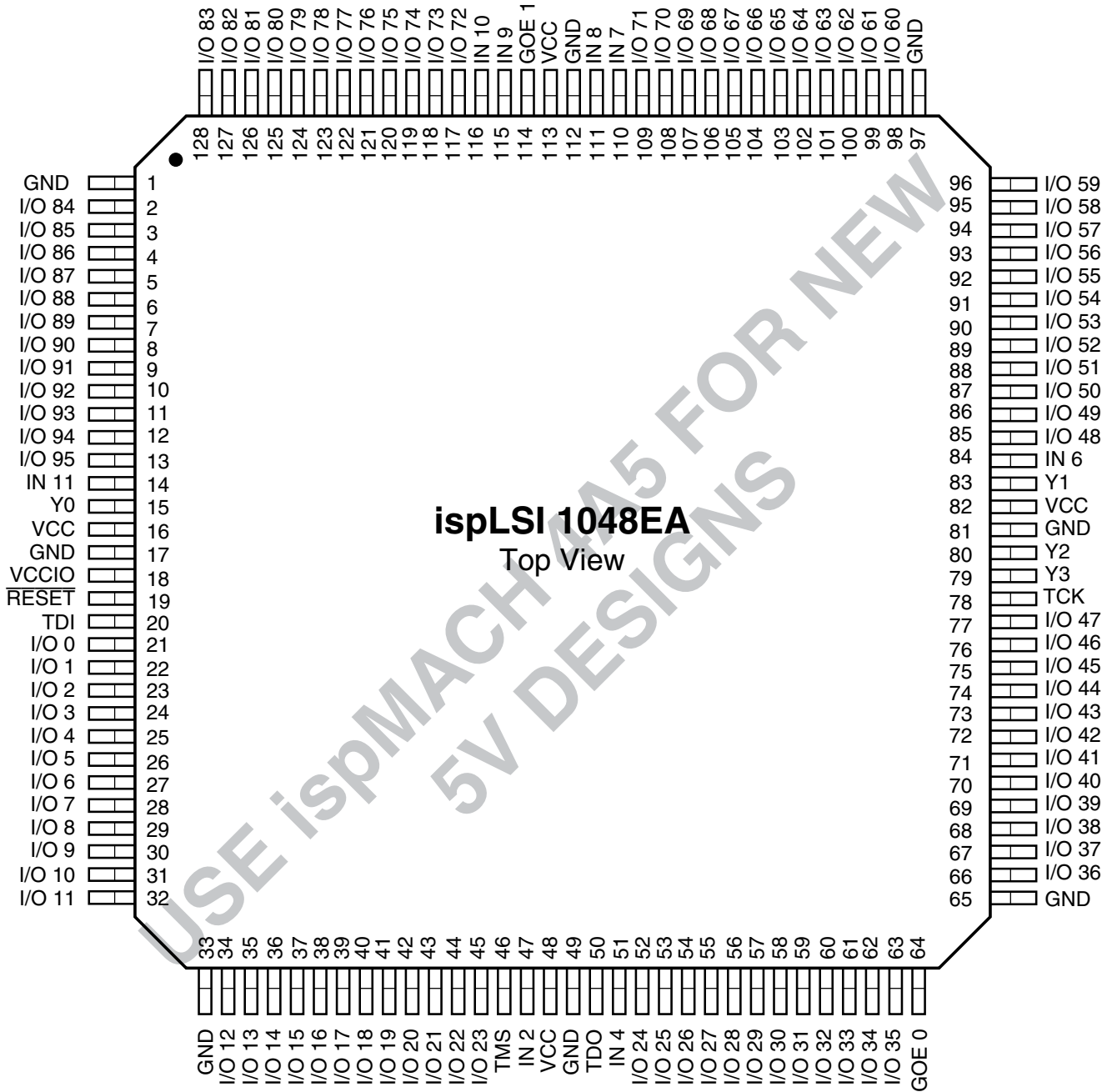
Pin Description

NAME	PQFP / TQFP PIN NUMBERS	DESCRIPTION
I/O 0 - I/O 5 I/O 6 - I/O 11 I/O 12 - I/O 17 I/O 18 - I/O 23 I/O 24 - I/O 29 I/O 30 - I/O 35 I/O 36 - I/O 41 I/O 42 - I/O 47 I/O 48 - I/O 53 I/O 54 - I/O 59 I/O 60 - I/O 65 I/O 66 - I/O 71 I/O 72 - I/O 77 I/O 78 - I/O 83 I/O 84 - I/O 89 I/O 90 - I/O 95	21, 22, 23, 24, 25, 26, 27, 28, 29, 30, 31, 32, 34, 35, 36, 37, 38, 39, 40, 41, 42, 43, 44, 45, 52, 53, 54, 55, 56, 57, 58, 59, 60, 61, 62, 63, 66, 67, 68, 69, 70, 71, 72, 73, 74, 75, 76, 77, 85, 86, 87, 88, 89, 90, 91, 92, 93, 94, 95, 96, 98, 99, 100, 101, 102, 103, 104, 105, 106, 107, 108, 109, 117, 118, 119, 120, 121, 122, 123, 124, 125, 126, 127, 128, 2, 3, 4, 5, 6, 7, 8, 9, 10, 11, 12, 13	Input/Output Pins - These are the general purpose I/O pins used by the logic array.
GOE0, GOE1	64, 114	Global Output Enable input pins.
IN 2, IN 4, IN 6-IN 11	47, 51, 84, 110, 111, 115, 116, 14	Dedicated input pins to the device.
TDI	20	Input - Functions as an input pin to load programming data into the device and also is used as one of the two control pins for the ISP JTAG state machine.
TMS	46	Input - Controls the operation of the ISP JTAG state machine.
TDO	50	Output - Functions as an output pin to read serial shift register data.
TCK	78	Input - Functions as a clock pin for the Serial Shift Register.
RESET	19	Active Low (0) Reset pin which resets all of the GLB and I/O registers in the device.
Y0	15	Dedicated Clock input. This clock input is connected to one of the clock inputs of all of the GLBs on the device.
Y1	83	Dedicated Clock input. This clock input is brought into the clock distribution network, and can optionally be routed to any GLB on the device.
Y2	80	Dedicated Clock input. This clock input is brought into the clock distribution network, and can optionally be routed to any GLB and/or any I/O cell on the device.
Y3	79	Dedicated Clock input. This clock input is brought into the clock distribution network, and can optionally be routed to any I/O cell on the device.
GND	1, 17, 33, 49, 65, 81, 97, 112	Ground (GND)
VCC	16, 48, 82, 113	V _{CC}
VCCIO	18	Supply voltage for output drivers, 5V or 3.3V.

Table 2-0002C/1048EA

Pin Configuration

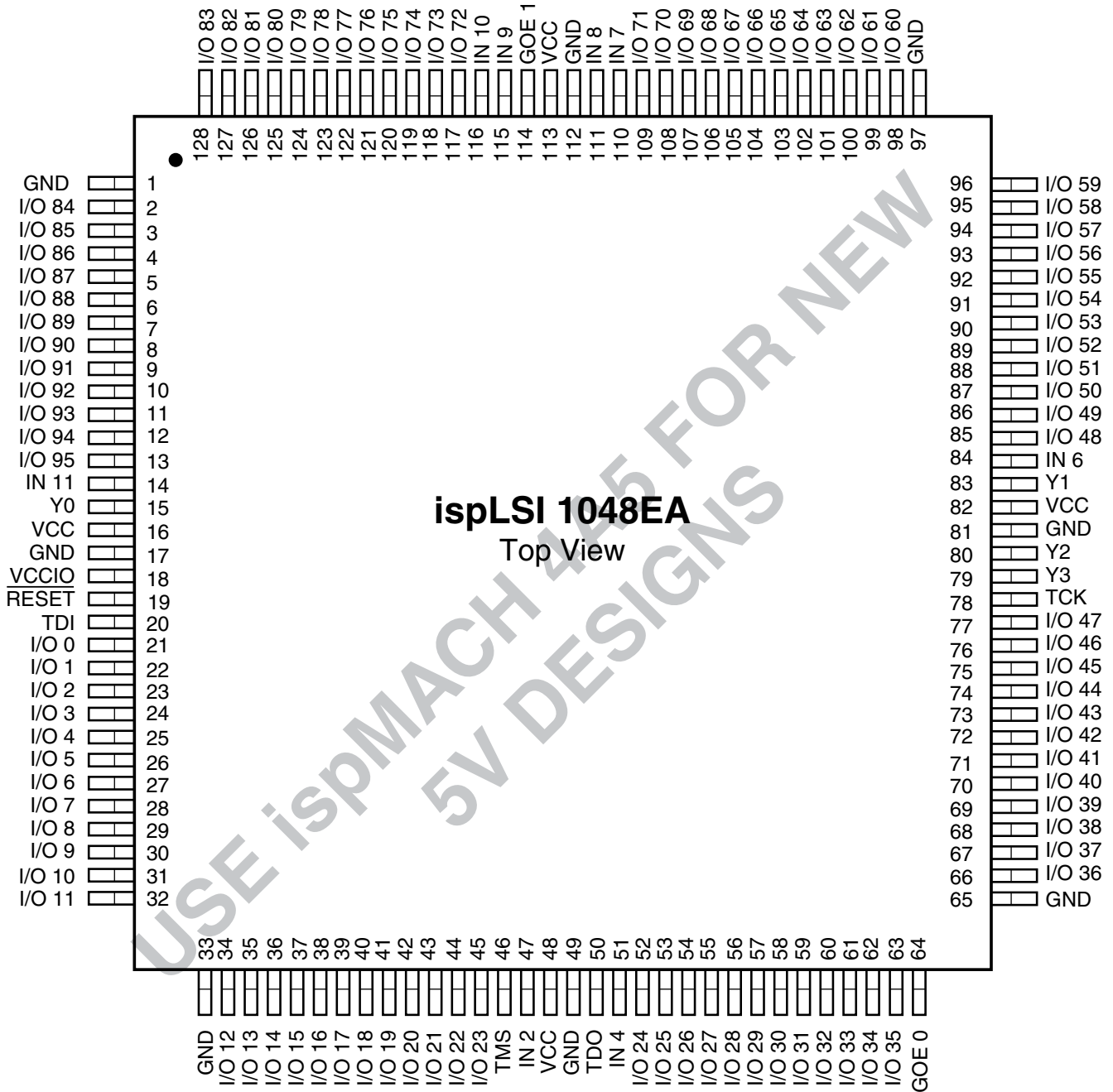
ispLSI 1048EA 128-Pin PQFP Pinout Diagram



0124/1048EA

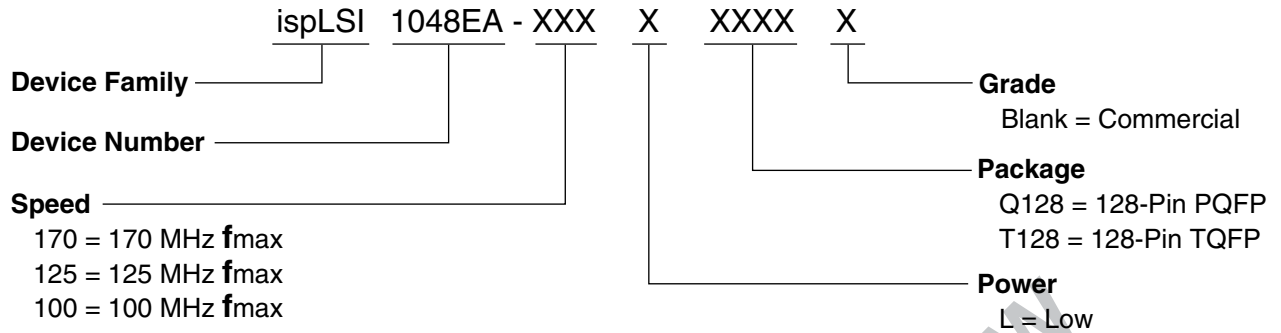
Pin Configuration

ispLSI 1048EA 128-Pin TQFP Pinout Diagram



128TQFP/1048EA

Part Number Description



0212/1048EA

ispLSI 1048EA Ordering Information

COMMERCIAL

FAMILY	f_{max} (MHz)	t_{pd} (ns)	ORDERING NUMBER	PACKAGE
ispLSI	170*	5.0	ispLSI 1048EA-170LQ128	128-Pin PQFP
	170*	5.0	ispLSI 1048EA-170LT128	128-Pin TQFP
	125	7.5	ispLSI 1048EA-125LQ128	128-Pin PQFP
	125	7.5	ispLSI 1048EA-125LT128	128-Pin TQFP
	100	10	ispLSI 1048EA-100LQ128	128-Pin PQFP
	100	10	ispLSI 1048EA-100LT128	128-Pin TQFP

*Note: Please refer to the Package Thermal Characteristics section of this data sheet for details.

Table 2-0041A/1048EA

USE ispmach 5V DESIGN REVIEW

Looking for pricing, stock, or lifecycle information?

Click below to explore more details on WIN SOURCE:

- [⊖ View ISPLSI1048EA-100LT on WIN SOURCE](#)
- [⊖ Lattice Semiconductor Corporation Information](#)

Optimize Your Supply Chain with WIN SOURCE Solutions

- ✓ Global Sourcing Solution
- ✓ Obsolete Management
- ✓ Cost Control Management
- ✓ Shortage Management
- ✓ Alternative Solution
- ✓ Excess Inventory Management