



**THE DATASHEET OF  
XCKT2510N12**



# XCKM106H29

Limit switch, Limit switches XC Standard, XCKM, cats whisker, 1NC+1 NO, snap action, M20



## Main

|                               |  |
|-------------------------------|--|
| Range of Product              | Telemecanique Limit switches XC Standard                               |
| Series name                   | Standard format  |
| Product or Component Type     | Limit switch   |
| Device short name             | XCKM   |
| Body type                     | Fixed  |
| Head type                     | Multi-directional head   |
| Material                      | Metal  |
| Body Material                 | Zamak  |
| Fixing Mode                   | By the body  |
| Movement of operating head    | Multi-directional  |
| Type of operator              | Spring return cat's whisker  |
| Type of approach              | Multi-directional approach   |
| Cable entry                   | 3 entries tapped for M20 x 1.5 cable gland 0.28... 0.51 in (7...13 mm) |
| Number of poles               | 2  |
| Contacts type and composition | 1 NC + 1 NO  |
| Contact operation             | Snap action  |

## Complementary

|  |  |
|--|--|
| Switch actuation   | By any moving part   |
| Electrical connection                                    | Screw-clamp terminals 1 x 0.34...2 x 1.5 mm <sup>2</sup>   |
| Contacts insulation form                                 | Zb   |
| Number of steps  | 1  |
| Positive opening   | Without  |
| Minimum torque for tripping                              | 1.15 lbf.in (0.13 N.m)   |
| Minimum actuation speed                                  | 0.01 m/min   |
| Maximum actuation speed                                  | 3.28 ft/s (1 m/s)  |
| Contact code designation                                 | A300, AC-15 (U <sub>e</sub> = 240 V), I <sub>e</sub> = 3 A EN/IEC 60947-5-1 appendix A<br>Q300, DC-13 (U <sub>e</sub> = 250 V), I <sub>e</sub> = 0.27 A EN/IEC 60947-5-1 appendix A  |
| [I <sub>th</sub> ] conventional enclosed thermal current | 10 A AC  |
| [U <sub>i</sub> ] rated insulation voltage               | 300 VUL 508<br>500 V 3)IEC 60947-1<br>300 VCSA C22.2 No 14   |
| Maximum resistance across terminals                      | 25 MOhm IEC 60255-7 category 3   |
| [U <sub>imp</sub> ] rated impulse withstand voltage      | 6 kV IEC 60664<br>6 kV IEC 60947-1   |
| Short-circuit protection                                 | 10 A cartridge fuse gG   |
| Electrical durability                                    | 5000000 Cycles, DC-13, inductive, 120 V, 4 W 60 cyc/mn 0.5 IEC 60947-5-1 appendix C<br>5000000 Cycles, DC-13, inductive, 24 V, 7 W 60 cyc/mn 0.5 IEC 60947-5-1 appendix C<br>5000000 cycles, DC-13, inductive, 48 V, 10 W 60 cyc/mn 0.5 IEC 60947-5-1 appendix C |
| Mechanical durability                                    | 10000000 cycles  |
| Width  | 2.52 in (64 mm)  |
| Height   | 2.52 in (64 mm)  |

The information provided in this documentation contains general descriptions and/or technical characteristics of the performance of the products contained herein. This documentation is not intended as a substitute for and is not to be used for determining suitability or reliability of these products for specific user applications. It is the duty of any such user or integrator to perform the appropriate and complete risk analysis, evaluation and testing of the products with respect to the relevant specific application or use thereof. Neither Schneider Electric Industries SAS nor any of its affiliates or subsidiaries shall be responsible or liable for misuse of the information contained herein.

|                               |                        |
|-------------------------------|------------------------|
| Depth                         | 1.18 in (30 mm)        |
| Net Weight                    | 0.55 lb(US) (0.25 kg)  |
| Terminals description ISO n°1 | (21-22)NC<br>(13-14)NO |

## Environment

|                                       |   |
|---------------------------------------|---|
| Shock resistance                      | 50 gn 11 ms EN/IEC 60068-2-27   |
| Vibration resistance                  | 25 gn 10...500 Hz)EN/IEC 60068-2-6  |
| IP degree of protection               | IP66 conforming to EN/IEC 60529   |
| IK degree of protection               | IK05 EN 50102   |
| Electrical shock protection class     | Class I IEC 61140<br>Class I NF C 20-030  |
| Ambient air temperature for operation | -13...158 °F (-25...70 °C)  |
| Ambient Air Temperature for Storage   | -40...158 °F (-40...70 °C)  |
| Protective treatment                  | TC  |
| Product Certifications                | CCC<br>UL<br>CSA  |
| Standards                             | EN 60947-5-1<br>IEC 60204-1<br>EN 60204-1<br>CSA C22.2 No 14<br>UL 508<br>IEC 60947-5-1 |

## Ordering and shipping details

|                       |                                 |
|-----------------------|---------------------------------|
| Category              | 22416 - LIMIT SWITCHES,IEC,XCKL |
| Discount Schedule     | T                               |
| GTIN                  | 3389110612240                   |
| Nbr. of units in pkg. | 1                               |
| Package weight(Lbs)   | 9.45 oz (268 g)                 |
| Returnability         | Yes                             |
| Country of origin     | ID                              |

## Packing Units

|                              |                         |
|------------------------------|-------------------------|
| Unit Type of Package 1       | PCE                     |
| Package 1 Height             | 1.26 in (3.2 cm)        |
| Package 1 width              | 2.56 in (6.5 cm)        |
| Package 1 Length             | 8.70 in (22.1 cm)       |
| Unit Type of Package 2       | S02                     |
| Number of Units in Package 2 | 18                      |
| Package 2 Weight             | 12.01 lb(US) (5.447 kg) |
| Package 2 Height             | 5.91 in (15 cm)         |
| Package 2 width              | 11.81 in (30 cm)        |
| Package 2 Length             | 15.75 in (40 cm)        |

## Offer Sustainability

|                           |   |
|---------------------------|---|
| Sustainable offer status  | Green Premium product   |
| California proposition 65 | WARNING: This product can expose you to chemicals including: Diisononyl phthalate (DINP), which is known to the State of California to cause cancer, and Di-isodecyl phthalate (DIDP), which is known to the State of California to cause birth defects or other reproductive harm. For more information go to <a href="http://www.P65Warnings.ca.gov">www.P65Warnings.ca.gov</a> |
| REACH Regulation          | <a href="#">REACH Declaration</a>   |
| EU RoHS Directive         | Pro-active compliance (Product out of EU RoHS legal scope) <a href="#">EU RoHS Declaration</a>  |
| Mercury free              | Yes   |

---

|                            |   |
|----------------------------|---|
| RoHS exemption information | <a href="#">Yes</a>                           |
| Environmental Disclosure   | <a href="#">Product Environmental Profile</a> |

---

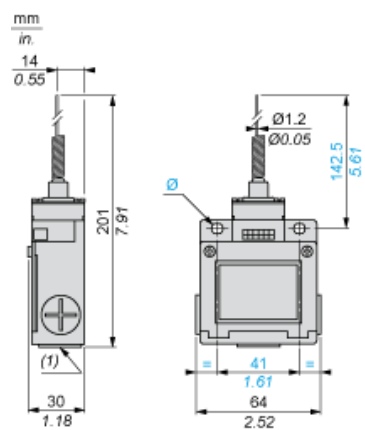
**Contractual warranty**

---

|          |           |
|----------|-----------|
| Warranty | 18 months |
|----------|-----------|

---

Dimensions



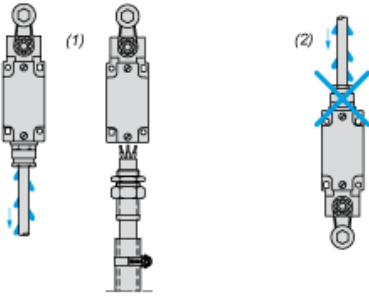
- (1) 3 tapped entries M20 x 1.5  
Ø : 2 elongated holes Ø 5.2 x 6.2

---

Mounting with Cable Entry

---

Position of Cable Gland



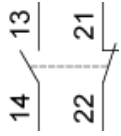
- (1) Recommended
- (2) To be avoided

---

## Wiring Diagram

---

2-pole NC + NO Snap Action

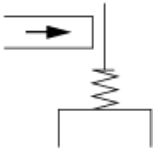


---

Characteristics of Actuation

---

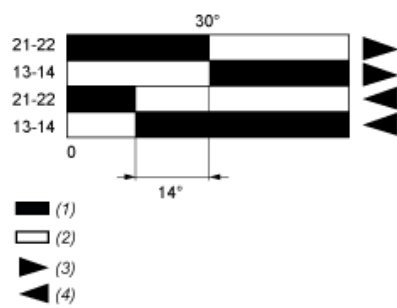
Switch Actuation by Any Moving Part



---

Functionnal Diagram

---



- (1) Closed
- (2) Open
- (3) Tripping
- (4) Resetting

## Looking for pricing, stock, or lifecycle information?

Click below to explore more details on WIN SOURCE:

 [View XCKT2510N12 on WIN SOURCE](#)

 [Manufacturer Information](#)

## Optimize Your Supply Chain with WIN SOURCE Solutions

-  Global Sourcing Solution
-  Obsolete Management
-  Cost Control Management
-  Shortage Management
-  Alternative Solution
-  Excess Inventory Management