

Mounting material - PSD-S ME FB - 2700151

Please be informed that the data shown in this PDF Document is generated from our Online Catalog. Please find the complete data in the user's documentation. Our General Terms of Use for Downloads are valid (<http://phoenixcontact.com/download>)



Foldaway base, pitch 7.5°, black



Key commercial data

Packing unit	1 pc
Weight per Piece (excluding packing)	160.0 GRM
Custom tariff number	85318095
Country of origin	Germany

Technical data

Dimensions

Diameter	70 mm
Height	117 mm

Ambient conditions

Ambient temperature (operation)	-20 °C ... 60 °C
Degree of protection	IP65

General

Material	PA-GF
Color	black
Weight	165 g
Mounting position	any
Mounting type	Base mounting Tube mounting
Assembly instructions	Seal is supplied with
Scope of delivery	3 x with screws (hexagonal socket-head) 1 x seal

Mounting material - PSD-S ME FB - 2700151

Technical data

General

	1 x foam material ring
--	------------------------

Classifications

eCl@ss

eCl@ss 4.0	27143203
eCl@ss 4.1	27143203
eCl@ss 5.0	27371235
eCl@ss 5.1	27371235
eCl@ss 6.0	27371235
eCl@ss 7.0	27371235
eCl@ss 8.0	27371235

ETIM

ETIM 3.0	EC001154
ETIM 4.0	EC001154
ETIM 5.0	EC001154

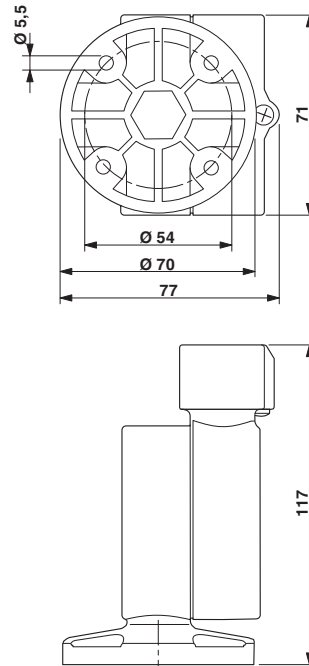
UNSPSC

UNSPSC 6.01	43172015
UNSPSC 7.0901	43201404
UNSPSC 11	39121311
UNSPSC 12.01	39121311
UNSPSC 13.2	39121311

Drawings

Mounting material - PSD-S ME FB - 2700151

Dimensioned drawing



Looking for pricing, stock, or lifecycle information?

Click below to explore more details on WIN SOURCE:

 [View 2700143 on WIN SOURCE](#)

 [Phoenix Contact Information](#)

Optimize Your Supply Chain with WIN SOURCE Solutions

-  Global Sourcing Solution
-  Obsolete Management
-  Cost Control Management
-  Shortage Management
-  Alternative Solution
-  Excess Inventory Management