



**THE DATASHEET OF  
3008W8SXX99A10X**



## D-SUB contact support - VS-09-BU-DSUB-CD-G - 1688845

Please be informed that the data shown in this PDF Document is generated from our Online Catalog. Please find the complete data in the user's documentation. Our General Terms of Use for Downloads are valid (<http://phoenixcontact.com/download>)



D-SUB contact carrier, shell size 1, for nine signal contacts, contact type socket, for crimp contacts, straight, fixing with 4-40 UNC thread, for panel mounting frame VS-09-...



### Key commercial data

Packing unit	1 pc
Minimum order quantity	10 pc
Weight per Piece (excluding packing)	5.74 GRM
Custom tariff number	85366990
Country of origin	Germany

### Technical data

#### Mechanical characteristics

Number of positions	9
Connection profile	D-SUB 9
Insertion/withdrawal cycles	≥ 500
Connection method	Crimp connection

#### Ambient conditions

Ambient temperature (operation)	-55 °C ... 125 °C
---------------------------------	-------------------

#### Material data

Inflammability class according to UL 94	V0
Housing material	Steel, yellow chromated
Contact carrier material	Polyester GF

#### Electrical characteristics

Rated voltage (III/3)	125 V
Rated current	5 A

## D-SUB contact support - VS-09-BU-DSUB-CD-G - 1688845

### Classifications

#### eCl@ss

eCl@ss 4.0	27140816
eCl@ss 4.1	27260701
eCl@ss 5.0	27260701
eCl@ss 5.1	27260701
eCl@ss 6.0	27260705
eCl@ss 7.0	27440309
eCl@ss 8.0	27440309

#### ETIM

ETIM 2.0	EC000438
ETIM 3.0	EC000438
ETIM 4.0	EC000438
ETIM 5.0	EC000438

#### UNSPSC

UNSPSC 6.01	30211923
UNSPSC 7.0901	39121522
UNSPSC 11	39121522
UNSPSC 12.01	39121522
UNSPSC 13.2	39121522

### Approvals

#### Approvals

---

Approvals

GOST

---

Ex Approvals

---

Approvals submitted

---

Approval details

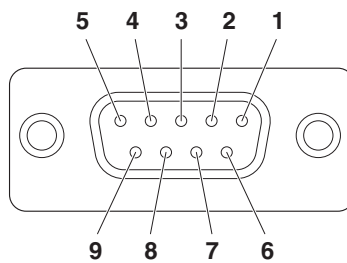
# D-SUB contact support - VS-09-BU-DSUB-CD-G - 1688845

## Approvals

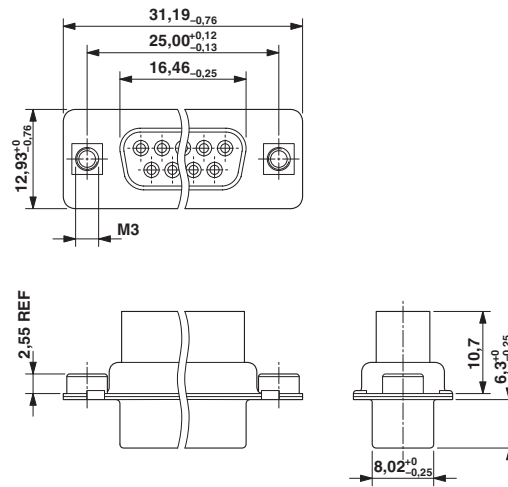


## Drawings

Schematic diagram



Dimensioned drawing



D-SUB contact carrier

## Looking for pricing, stock, or lifecycle information?

Click below to explore more details on WIN SOURCE:

 [View 3008W8SXX99A10X on WIN SOURCE](#)

 [Manufacturer Information](#)

## Optimize Your Supply Chain with WIN SOURCE Solutions

-  Global Sourcing Solution
-  Obsolete Management
-  Cost Control Management
-  Shortage Management
-  Alternative Solution
-  Excess Inventory Management