



**THE DATASHEET OF
KA1458DTF**



KA1458

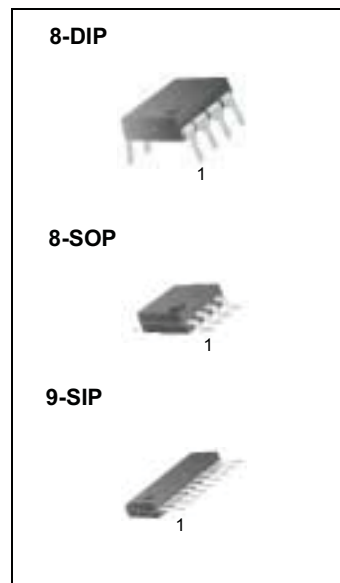
Dual Operational Amplifier

Features

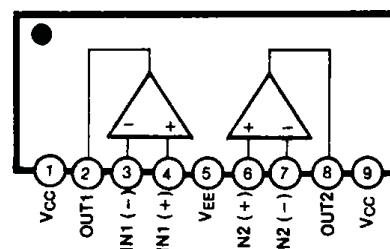
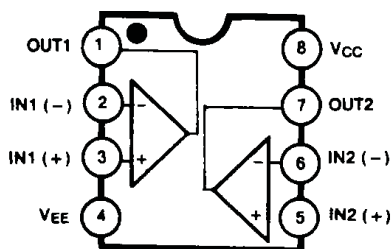
- Internal frequency compensation
- Short circuit protection
- Large common mode and differential voltage range
- No latch up
- Low power consumption

Description

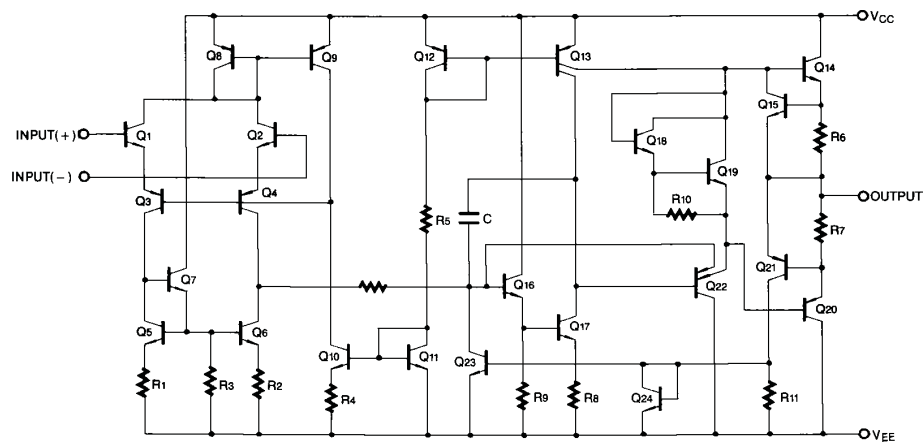
The KA1458 series are dual general purpose operational amplifiers, having short circuits protected and require no external components for frequency compensation. High common mode voltage range and absence of "latch up" make the KA1458 ideal for use as voltage followers. The high gain and wide range of operating voltage provides superior performance in integrator, summing amplifier and general feedback applications.



Internal Block Diagram



Schematic Diagram



Absolute Maximum Ratings

| Parameter | Symbol | Value | Unit |
|---------------------------------------|----------------------|--------------|------|
| Power Supply Voltage | VCC | ±18 | V |
| Input Differential Voltage | V _{I(DIFF)} | 30 | V |
| Input Voltage | V _I | ±15 | V |
| Operating Temperature Range KA1458 | T _{OPR} | 0 ~ + 70 | °C |
| Storage Temperature Range | T _{STG} | - 65 ~ + 150 | °C |

Electrical Characteristics

(VCC = + 15V, VEE = - 15V, TA = 25 °C unless otherwise specified)

| Parameter | Symbol | Conditions | KA1458 | | | Unit | | | | | | | |
|------------------------------------|--------------------|---|--------|------|------|------|-----------|----------------|---|---|-----|---|------|
| | | | Min. | Typ. | Max. | | | | | | | | |
| Input Offset Voltage | V _{IO} | R _S ≤ 10KΩ | - | 2.0 | 10 | mV | | | | | | | |
| Input Offset Current | I _{IO} | - | - | 20 | 300 | nA | | | | | | | |
| Input Bias Current | I _{BIAS} | - | - | 80 | 700 | nA | | | | | | | |
| Large Signal Voltage Gain | G _V | V _{O(P-P)} = ± 10V, R _L ≥ 2.0KΩ | 20 | 200 | - | V/mV | | | | | | | |
| Input Voltage Range | V _{I(R)} | - | ± 11 | ± 13 | - | V | | | | | | | |
| Input Resistance | R _I | - | 0.3 | 1.0 | - | MΩ | | | | | | | |
| Common Mode Rejection Ratio | CMRR | - | 60 | 90 | - | dB | | | | | | | |
| Power Supply Rejection Ratio | PSRR | - | 77 | 90 | - | dB | | | | | | | |
| Supply Current (Both Amplifier) | I _{CC} | - | - | 2.3 | 8.0 | mA | | | | | | | |
| Output Voltage Swing | V _{O(PP)} | R _S ≤ 10KΩ | ± 11 | ± 14 | - | V | | | | | | | |
| | | R _S ≤ 2KΩ | ± 9 | ± 13 | - | | | | | | | | |
| Output Short Circuit Current | I _{SC} | - | - | 20 | - | mA | | | | | | | |
| Power Consumption | P _C | V _O = 0V | - | 70 | 240 | mW | | | | | | | |
| Transient Response (Unity Gain) | | | | | | | | | | | | | |
| | | | | | | | Rise Time | T _R | V _I = 20mV, R _L ≥ 2KΩ, C _L ≤ 100pF | - | 0.3 | - | μs |
| | | | | | | | Overshoot | OS | V _I = 20mV, R _L ≥ 2KΩ, C _L ≤ 100pF | - | 15 | - | % |
| | | | | | | | Slew Rate | SR | V _I = 10V, R _L ≥ 2KΩ, C _L ≤ 100pF | - | 0.5 | - | V/μs |

Electrical Characteristics

(VCC = +15V, VEE = -15V, Note1 unless otherwise specified)

| Parameter | Symbol | Conditions | KA1458 | | | Unit |
|------------------------------|---------------------|---|--------|------|------|------|
| | | | Min. | Typ. | Max. | |
| Input Offset Voltage | V _{IO} | R _S ≤ 10KΩ | - | - | 12 | mV |
| Input Offset Current | I _{IO} | - | - | - | 400 | nA |
| Input Bias Current | I _{BIAS} | - | - | - | 1000 | nA |
| Large Signal Voltage Gain | G _V | V _{O(P-P)} = ± 10V, R _L ≤ 2.0KΩ | 15 | - | - | V/mV |
| Common Mode Rejection Ratio | CMRR | R _S ≥ 10KΩ | 70 | 90 | - | dB |
| Power Supply Rejection Ratio | PSRR | R _S ≥ 10KΩ | 77 | 90 | - | dB |
| Output Voltage Swing | V _{O(P.P)} | R _L = 10KΩ | ± 11 | ± 14 | - | V |
| | | R _L = 2KΩ | ± 9 | ± 13 | - | |
| Input Voltage Range | V _{I(R)} | - | ± 12 | - | - | V |

Note:

1. KA1458 : 0°C ≤ T_A ≤ 70°C

Typical Performance Characteristics

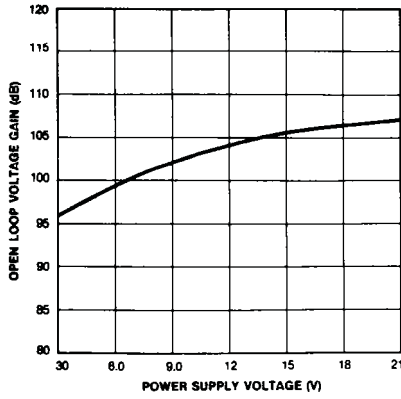


Figure 1. Open-Loop Voltage Gain vs Power Supply Voltages

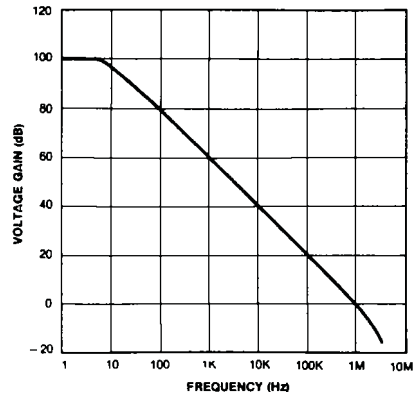


Figure 2. Open-Loop Frequency Response

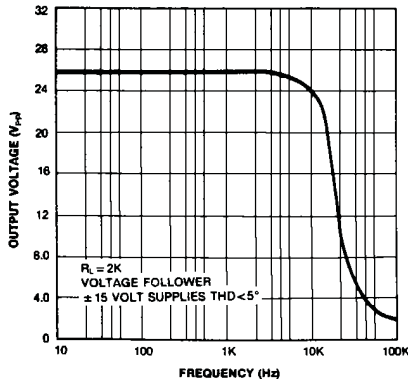


Figure 3. Power Bandwidth (Large Signal Output Swing vs Frequency)

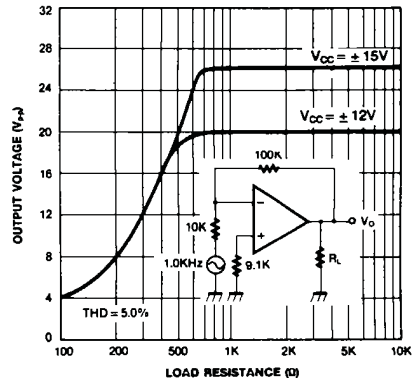
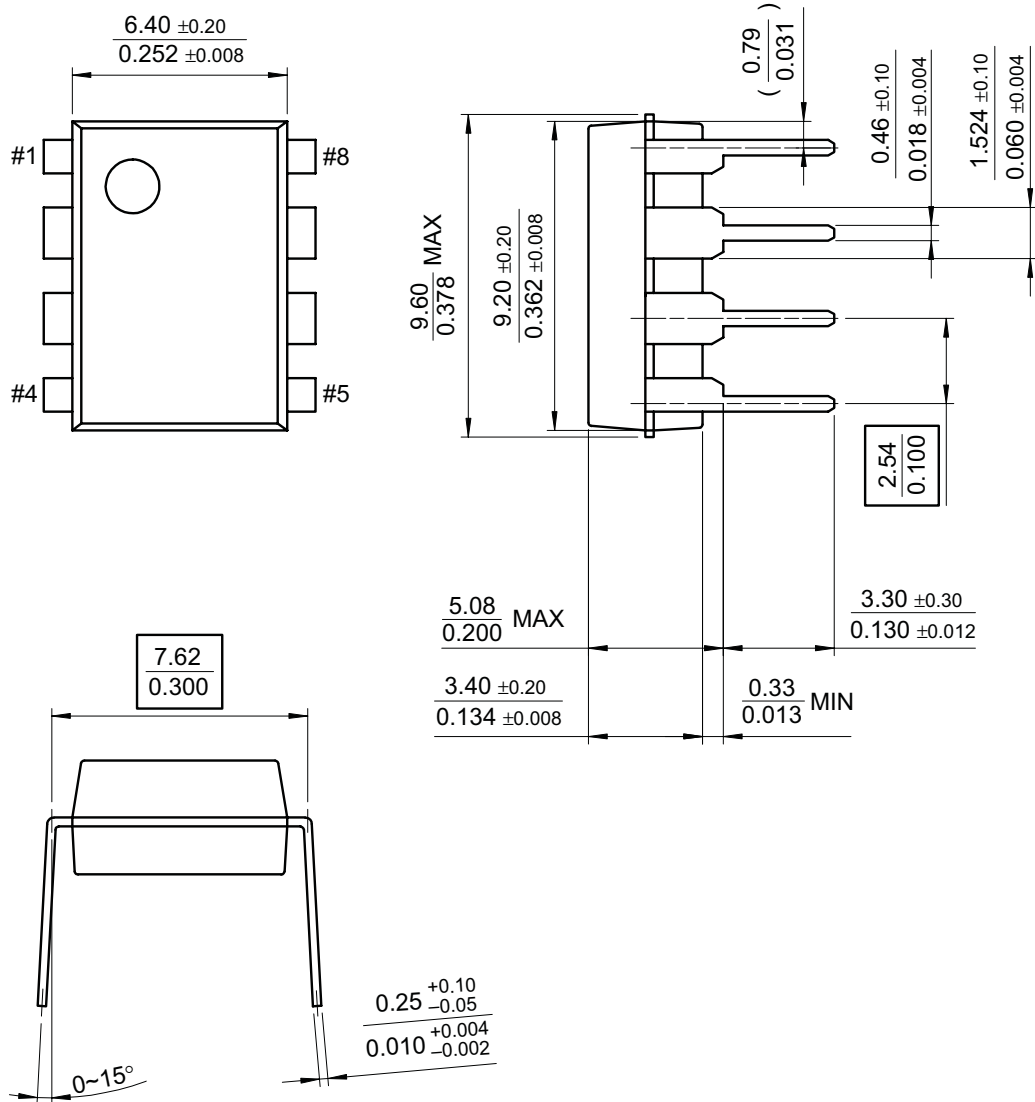


Figure 4. Output Voltage Swing vs Load Resistance

Mechanical Dimensions

Package

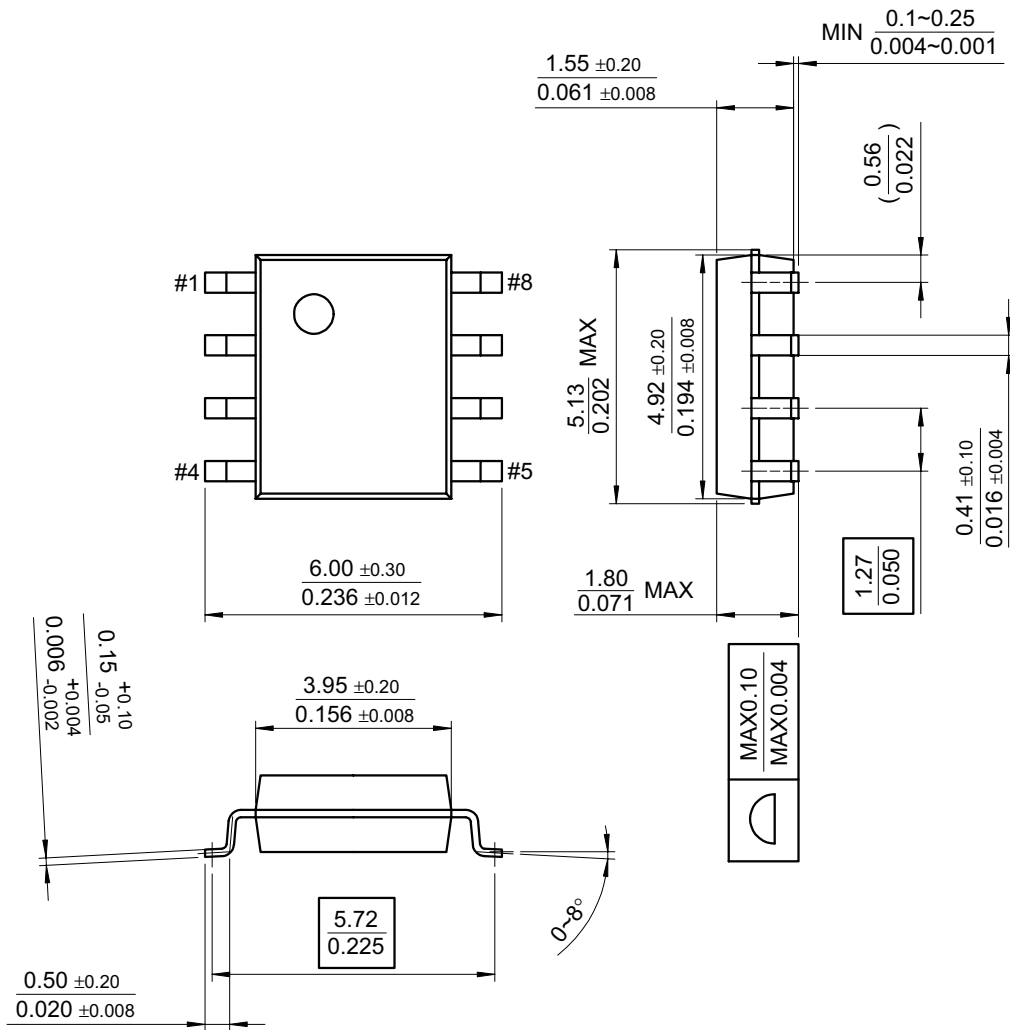
8-DIP



Mechanical Dimensions (Continued)

Package

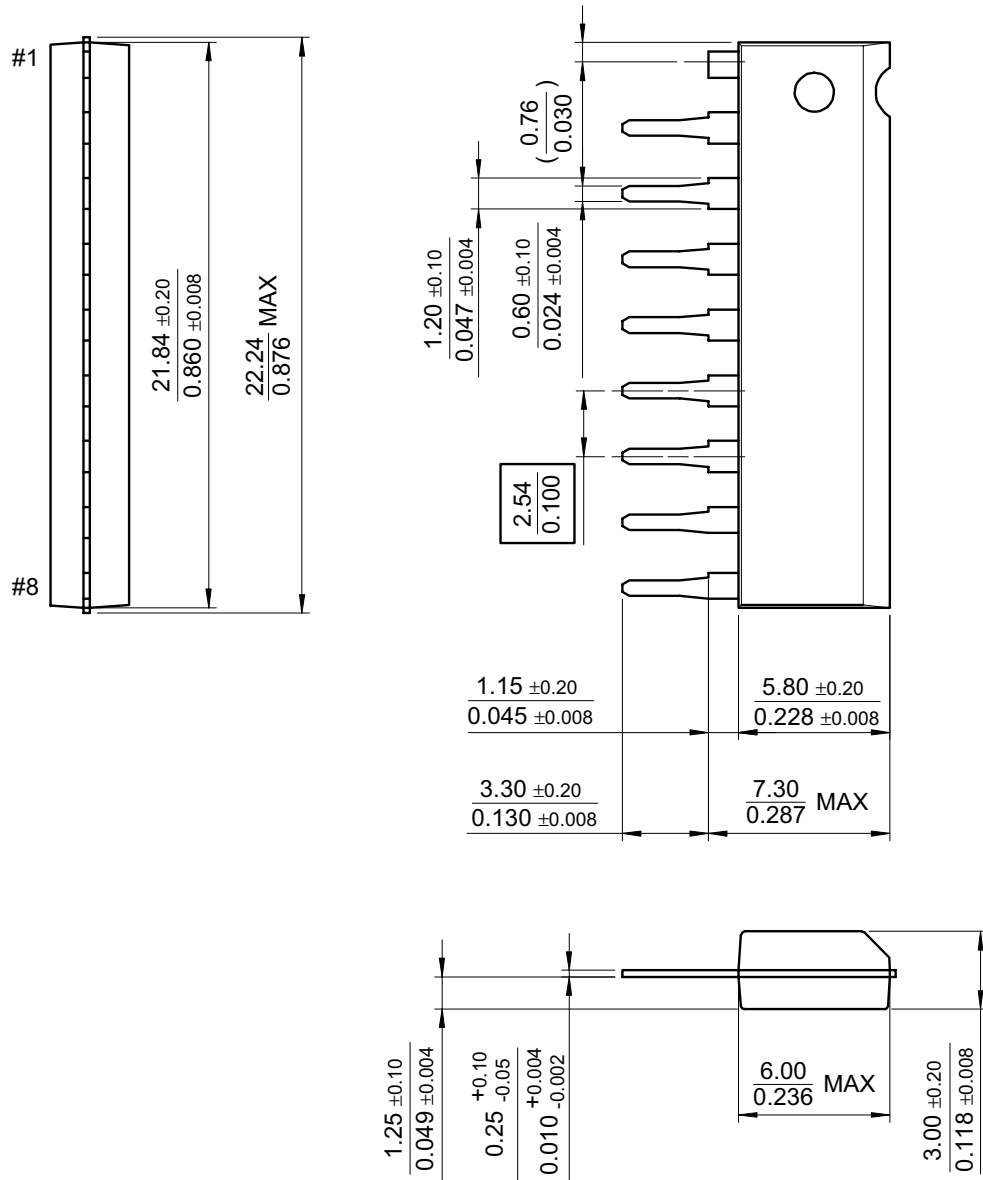
8-SOP



Mechanical Dimensions (Continued)

Package

9-SIP



Ordering Information

| Product Number | Package | Operating Temperature |
|-----------------------|----------------|------------------------------|
| KA1458 | 8-DIP | 0 ~ + 70°C |
| KA1458D | 8-SOP | |
| KA1458S | 9-SIP | |

DISCLAIMER

FAIRCHILD SEMICONDUCTOR RESERVES THE RIGHT TO MAKE CHANGES WITHOUT FURTHER NOTICE TO ANY PRODUCTS HEREIN TO IMPROVE RELIABILITY, FUNCTION OR DESIGN. FAIRCHILD DOES NOT ASSUME ANY LIABILITY ARISING OUT OF THE APPLICATION OR USE OF ANY PRODUCT OR CIRCUIT DESCRIBED HEREIN; NEITHER DOES IT CONVEY ANY LICENSE UNDER ITS PATENT RIGHTS, NOR THE RIGHTS OF OTHERS.

LIFE SUPPORT POLICY

FAIRCHILD'S PRODUCTS ARE NOT AUTHORIZED FOR USE AS CRITICAL COMPONENTS IN LIFE SUPPORT DEVICES OR SYSTEMS WITHOUT THE EXPRESS WRITTEN APPROVAL OF THE PRESIDENT OF FAIRCHILD SEMICONDUCTOR CORPORATION. As used herein:

1. Life support devices or systems are devices or systems which, (a) are intended for surgical implant into the body, or (b) support or sustain life, and (c) whose failure to perform when properly used in accordance with instructions for use provided in the labeling, can be reasonably expected to result in a significant injury of the user.
2. A critical component in any component of a life support device or system whose failure to perform can be reasonably expected to cause the failure of the life support device or system, or to affect its safety or effectiveness.

Looking for pricing, stock, or lifecycle information?

Click below to explore more details on WIN SOURCE:

-  [View KA1458DTF on WIN SOURCE](#)
-  [Fairchild/ON Semiconductor](#) Information

Optimize Your Supply Chain with WIN SOURCE Solutions

-  Global Sourcing Solution
-  Obsolete Management
-  Cost Control Management
-  Shortage Management
-  Alternative Solution
-  Excess Inventory Management