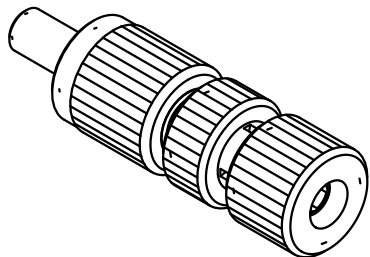
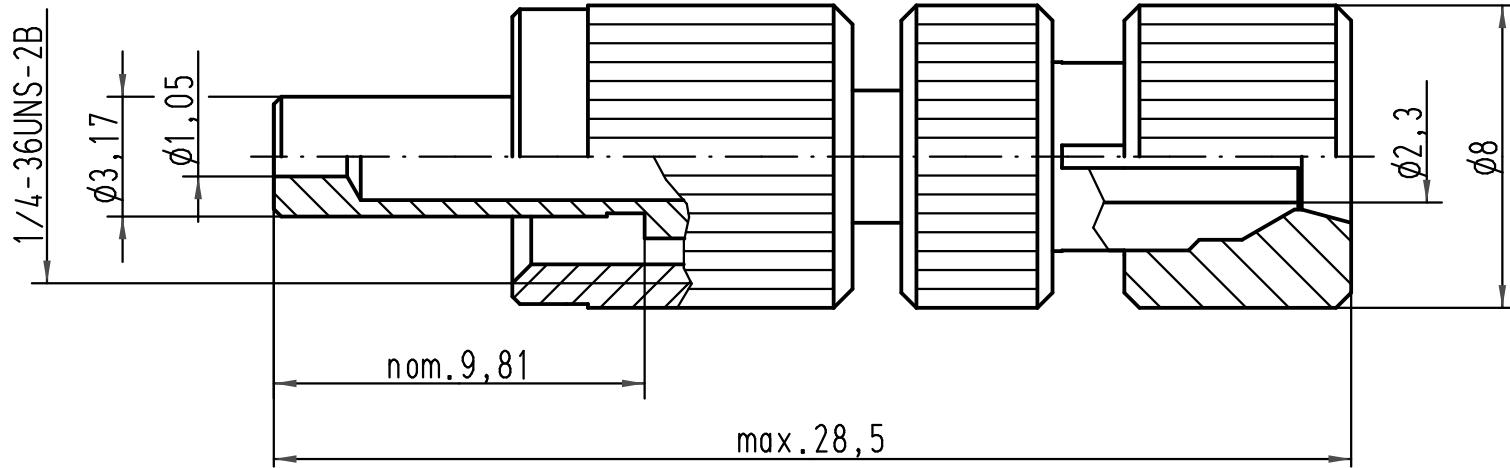




THE DATASHEET OF
1407641






All Dimensions in mm Original Size DIN A 4		Techn. Character.			Nicht tolerierte Maßel/Free size tolerances	
			Dat.	Name	Maßstab/Scale 5:1	F-SMA Schnellmontagestecker <i>F-SMA quick-assembly connector</i> 1,0mm/2,2mm POF
		Detail.	15.03.10	Spr		
		Insp.		Be		
		Stand.				
A			HARTING Electric GmbH & Co. KG D-32339 Espelkamp			TB 20 10 001 1215 Sub. TB 20 10 001 1215 v. 06.03.01
Mod.	Dat.	Name				

Looking for pricing, stock, or lifecycle information?

Click below to explore more details on WIN SOURCE:

 [View 1407641 on WIN SOURCE](#)

 [Phoenix Contact Information](#)

Optimize Your Supply Chain with WIN SOURCE Solutions

-  Global Sourcing Solution
-  Obsolete Management
-  Cost Control Management
-  Shortage Management
-  Alternative Solution
-  Excess Inventory Management