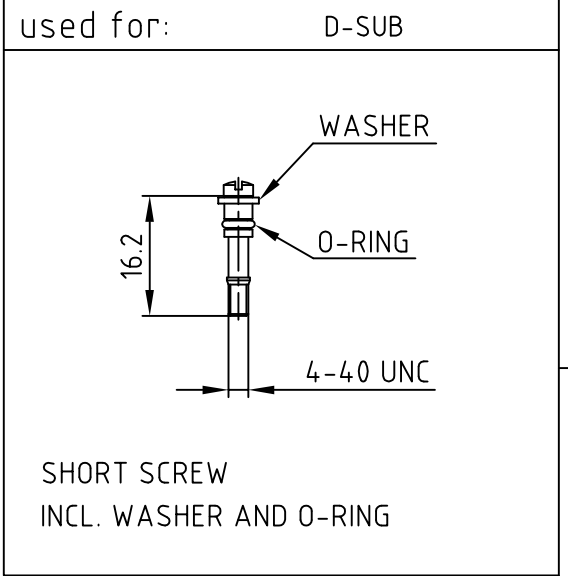
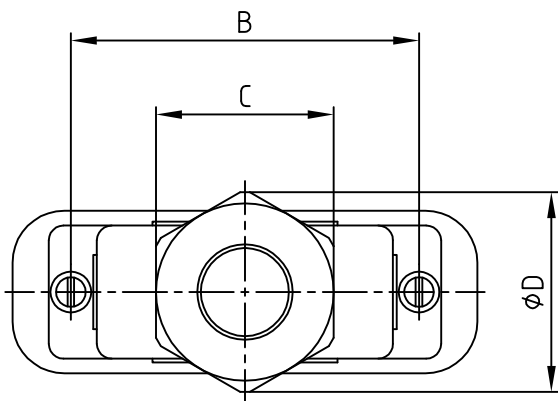
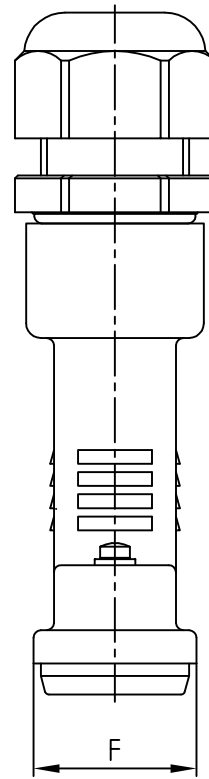
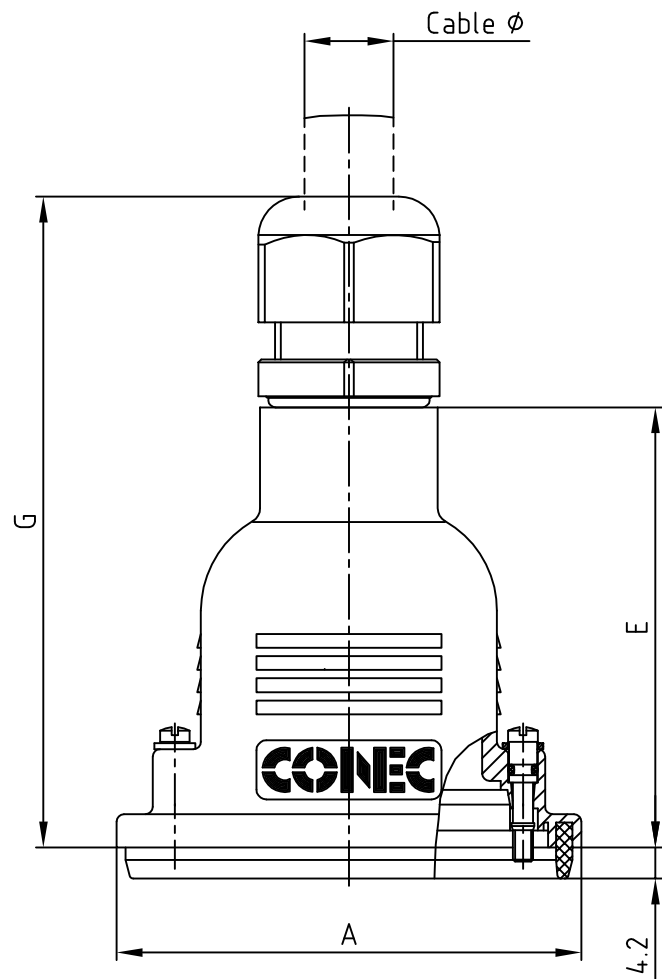




**THE DATASHEET OF
ERZ-V14D330**





(b)

Shellsize	A	B	C	φD	E	F	G ⁺¹ ₋₃	Cable φ	Part-No. Bulk package	Part-No. Single package
1	40.76	25.0	SW 22	24.6	51.0	22.0	77.0	5 - 10	165X14869X	165X14869XE
2	49.06	33.3	SW 24	26.5	51.0	22.0	79.0	6 - 12	165X14879X	165X14879XE
3	62.80	47.04	SW 24	26.5	59.5	22.0	87.5	6 - 12	165X14889X	165X14889XE
4	78.86	63.5	SW 33	36.2	67.0	22.0	99.0	9 - 16	165X14899X	165X14899XE
5	76.46	61.1	SW 42	47.0	67.0	24.8	107.0	13 - 20	165X14909X	165X14909XE

NOTES:
 1. HOOD: PBT GF; BLACK
 2. SCREWS: STAINLESS STEEL

Directive 2002/95/EC RoHS compliant

THIS DRAWING MAY NOT BE COPIED OR REPRODUCED IN ANY WAY, AND MAY NOT BE PASSED ON TO A THIRD PARTY WITHOUT WRITTEN PERMISSION.
 OWNERSHIP AND COPYRIGHT OF CONEC GmbH
 DO NOT ALTER CAD DRAWING BY HAND

tolerance		dim. in mm		scale: 1:1	
material: SEE NOTES		title: WATER RESISTANT D-SUB HOOD 9-50pos. with short screw		dwg no: 16K1A1289	
2004 date		name		DIN-A 3	
drawn 25.11.		Lehmenkühler		sh:1/1	
appd. 25.11.		Mickenbecker		part no: SEE TABLE	
norm					
d-old					
1 x b	Ä 4085	31.08.2011	Lehmen		
a	Original				
rev.	description	date	name		



Looking for pricing, stock, or lifecycle information?

Click below to explore more details on WIN SOURCE:

 [View ERZ-V14D330 on WIN SOURCE](#)

 [Panasonic Information](#)

Optimize Your Supply Chain with WIN SOURCE Solutions

-  Global Sourcing Solution
-  Obsolete Management
-  Cost Control Management
-  Shortage Management
-  Alternative Solution
-  Excess Inventory Management