

MAX32690

Arm Cortex-M4 with FPU Microcontroller and Bluetooth LE 5 for Industrial and Wearables

General Description

The MAX32690 microcontroller (MCU) is an advanced system-on-chip (SoC) featuring an Arm® Cortex®-M4F CPU, large flash and SRAM memories, and Bluetooth® 5.2 Low Energy (LE) radio. This device unites processing horsepower with the connectivity required for IoT applications.

The MAX32690 is qualified to operate over the -40°C to +105°C range, which is ideal for industrial environments. This device is available in 68-pin TQFN-EP (0.40mm pitch), 140-bump WLP (0.35mm pitch), and 144-CTBGA (0.8mm pitch) packages.

The integrated Bluetooth 5.2 Low Energy (LE) radio supports long-range (coded) and high-throughput modes. A RISC-V core optionally handles timing-critical controller tasks, freeing the programmer from Bluetooth LE interrupt latency concerns.

Internal code and SRAM space can be expanded off-chip through two quad-SPI execute-in-place (SPIXF and SPIXR) interfaces up to 512MB each.

A cryptographic toolbox (CTB) provides a modular arithmetic accelerator (MAA), advanced encryption standard (AES) engine, TRNG, and SHA-2 engine. The device also provides extensive security features including a 128-bit unique serial number (USN), physically unclonable function (PUF), secure nonvolatile key storage, a memory decryption integrity unit (MDIU) for SPIXF and SPIXR, and the Arm memory protection unit (MPU). The optional secure communications protocol boot loader (SCPBL) provides an immutable root of trust, secure boot with flash integrity validation using ECDSA, and secure firmware update ability.

Many high-speed interfaces are supported on the device, including multiple QSPI, UART, CAN 2.0B, and I²C serial interfaces, plus one I²S port for connecting to an audio codec. Most interfaces support DMA-driven transfers between memory (flash or SRAM) and a peripheral. A 12-input (8 external), 12-bit SAR ADC samples analog data at up to 1Msps.

Applications

- Fitness/Health Wearables
- Portable and Wearable Wireless Medical Devices
- Asset Tracking
- Industrial Sensors and Networks

Benefits and Features

- Ultra-Efficient Microcontroller for Battery-Powered Applications
 - 120MHz Arm Cortex-M4 Processor with FPU
 - Ultra-Low-Power, 32-Bit RISC-V (RV32) Coprocessor Available to Offload Data Processing
 - Multiple Internal Low-Power Oscillators
 - 32.768kHz RTC Clock (Requires External Crystal)
 - 3.25MB Internal Flash, 1MB Internal SRAM
 - 85µW/MHz ACTIVE Mode at 1.1V
 - 1.8V and 3.3V I/O with No Level Translators
 - External Flash and SRAM Expansion Interfaces
- Bluetooth 5.2 LE Radio
 - Fully Open-Source Bluetooth 5.2 Stack Available
 - High-Throughput (2Mbps) Mode
 - Long-Range (125kbps and 500kbps) Modes
 - Rx Sensitivity: -97dBm; Tx Power: +4.5dBm
 - Single-Ended Antenna Connection (50Ω)
 - 32MHz External Crystal Required
- Optimal Peripheral Mix Provides Platform Scalability
 - 16-Channel DMA
 - Up to Five Quad-SPI Controllers/Targets
 - Up to Four UARTs with Flow Control
 - Up to Three I²C Interfaces
 - I²S Interface
 - Up to Eight External Channel, 12-Bit 1Msps SAR ADCs with Temperature Sensor Channel
 - USB 2.0 Hi-Speed Device
 - Up to 16 Pulse Train Engines
 - Up to Four 32-Bit/Dual 16-Bit Timers with 8mA Drive
 - Up to Two 32-Bit/Dual 16-Bit Low-Power Timers
 - Two CAN 2.0B Controllers
 - Up to Four Micropower Comparators
 - 1-Wire Controller
- Cryptographic Tool Box (CTB) for IP/Data Security
 - AES-128/192/256, SHA-2 Engine, MAA, TRNG
- Extensive Security Features
 - Arm Memory Protection Unit (MPU)
 - Memory Decryption Integrity Unit (MDIU) for External SPI Memory
 - Physically Unclonable Function (PUF)
 - 128-Bit Unique Serial Number (USN)
- Optional Secure Communications Protocol Bootloader (SCPBL)

Simplified Block Diagram

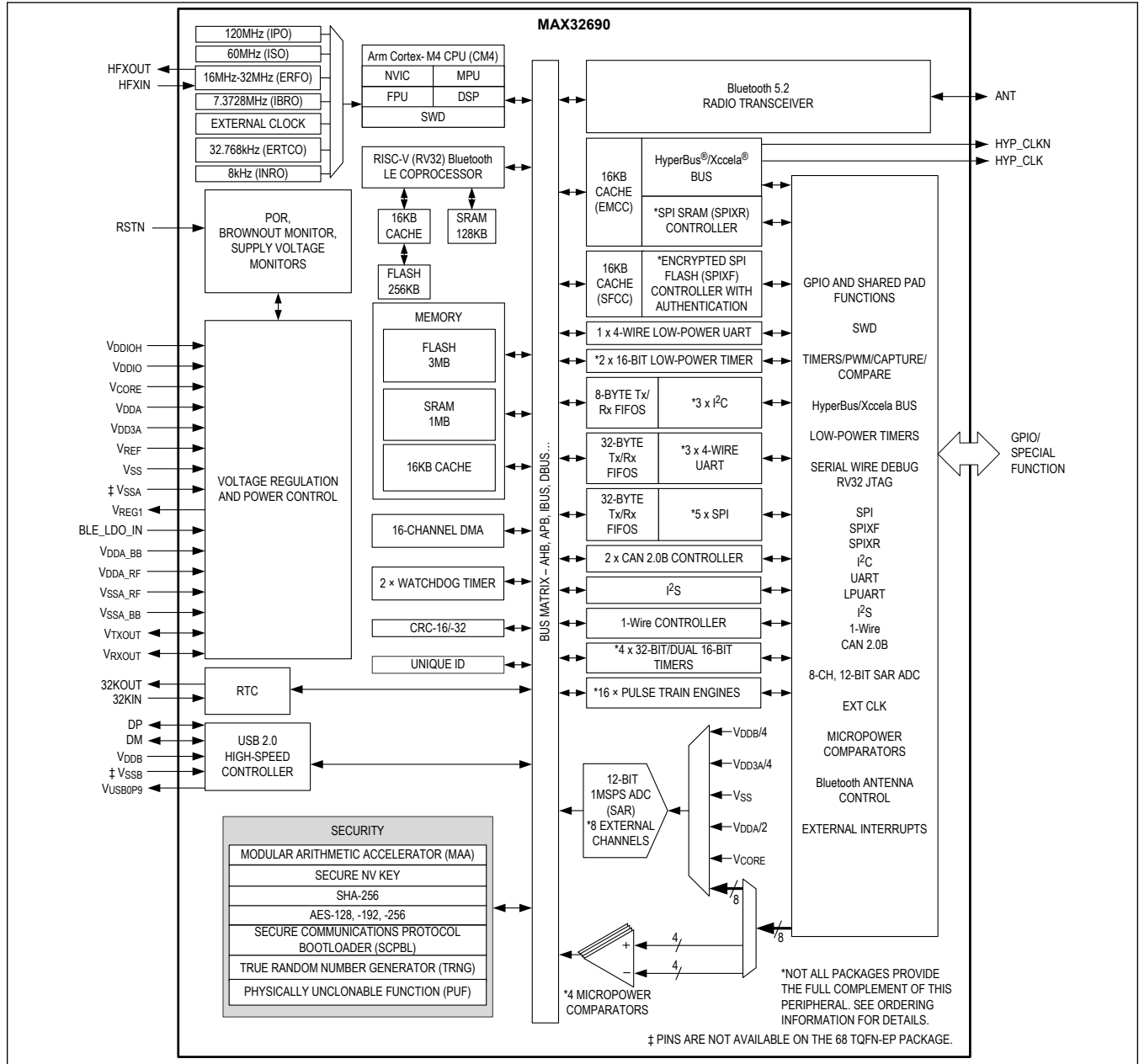


TABLE OF CONTENTS

General Description	1
Applications	1
Benefits and Features	1
Simplified Block Diagram	2
Absolute Maximum Ratings	8
Package Information	8
68 TQFN-EP	8
140 WLP	8
144 CTBGA	8
Electrical Characteristics	9
Electrical Characteristics—I ² C	21
Electrical Characteristics—I ² S	23
Electrical Characteristics—SPI	24
Electrical Characteristics—HyperBus	25
Electrical Characteristics—1-Wire Controller	25
Pin Configuration	31
68 TQFN-EP	31
Pin Description	31
Pin Configuration	37
140 WLP	37
Pin Description	38
Pin Configuration	46
144 CTBGA	46
Pin Description	47
Detailed Description	55
Arm Cortex-M4 with FPU Processor	55
RISC-V 32-Bit Core	55
Memory	55
Internal Flash Memory	55
Internal SRAM	56
Spansion HyperBus/Xccela Bus	56
External Memory SPI Execute-in-Place (SPIX) Interface	56
Bluetooth 5.2	56
Bluetooth 5.2 Low Energy (LE) Radio	56
Bluetooth 5.2 Software Stack	57
Comparators	57
Clocking Scheme	57
General-Purpose I/O and Special Function Pins	58
Analog-to-Digital Converter (ADC)	59

TABLE OF CONTENTS (CONTINUED)

Power Management	59
Power Management Unit (PMU)	59
ACTIVE Mode	59
SLEEP Mode	59
LOW POWER Mode (LPM)	60
MICRO POWER Mode (UPM)	60
STANDBY Mode	60
BACKUP Mode	61
Wake-Up Sources	61
Real-Time Clock	62
CRC Module	62
Programmable Timers	62
32-Bit Timer/Counter/PWM (TMR, LPTMR)	62
Watchdog Timer (WDT)	63
Pulse Train Engine (PT)	63
Wakeup Timer	64
Serial Peripherals	64
USB Controller	64
Controller Area Network 2.0B	64
I ² C Interface	65
I ² S Interface	65
Serial Peripheral Interface (SPI)	66
UART (UART, LPUART)	66
1-Wire Controller (OWM)	67
Standard DMA Controller	67
Cryptographic Tool Box (CTB)	68
True Random Number Generator (TRNG)	68
MAA	68
AES	68
SHA-2	68
Memory Decryption Integrity Unit (MDIU)	68
Software Integrity and Root of Trust	68
Root of Trust	68
Secure Communications Protocol Bootloader (SCPBL)	68
Secure Boot	69
Debug and Development Interface	69
Applications Information	70
Power Supply Considerations	70
Bypass Capacitor Recommendations	70

TABLE OF CONTENTS (CONTINUED)

RTC Crystal Guidelines	70
GPIO Considerations	70
USB Design Considerations	70
Bluetooth Design Considerations	72
Transmitted Spurious Emissions	72
Bootloader Activation	73
Typical Fixed Current Consumption Temperature Variance	73
ACTIVE Mode	73
ACTIVE Mode	73
Fixed SLEEP Mode	73
Fixed SLEEP Mode	74
Fixed LOW POWER Mode	74
Fixed LOW POWER Mode	74
Fixed STANDBY Mode	74
Fixed STANDBY Mode	74
Fixed BACKUP Mode	75
Fixed BACKUP Mode	75
Ordering Information	76
Revision History	78

LIST OF FIGURES

Figure 1. I ² C Timing Diagram	26
Figure 2. I ² S Target Mode Timing Diagram	27
Figure 3. I ² S Controller Timing Diagram	27
Figure 4. SPI Controller Mode Timing Diagram	28
Figure 5. SPI Target Mode Timing Diagram	28
Figure 6. HyperBus/Xccela Bus Timing Diagram	29
Figure 7. 1-Wire Controller Data Timing Diagram	30
Figure 8. Clocking Scheme Diagram	58
Figure 9. V _{DDB} Signal Implementation, 140-Bump WLP and 144-Ball CTBGA	71
Figure 10. V _{DDB} Signal Implementation, 68-Pin TQFN	72

LIST OF TABLES

Table 1. BACKUP Mode SRAM Retention	61
Table 2. Wake-Up Sources	61
Table 3. Common CRC Polynomials	62
Table 4. MAX32690 Timer Instances	63
Table 5. MAX32690 Watchdog Timer Instances	63
Table 6. MAX32690 Pulse Train Instances	64
Table 7. MAX32690 I ² C Instances	65
Table 8. MAX32690 SPI Instances	66
Table 9. MAX32690 UART Instances	67
Table 10. Bootloader Activation Summary	73
Table 11. Fixed V_{CORE} Current Consumption ACTIVE Mode	73
Table 12. Fixed V_{DDA} Current Consumption ACTIVE Mode	73
Table 13. Fixed V_{CORE} Current Consumption SLEEP Mode	73
Table 14. Fixed V_{DDA} Current Consumption SLEEP Mode	74
Table 15. Fixed V_{CORE} Current Consumption LOW POWER Mode	74
Table 16. Fixed V_{DDA} Current Consumption LOW POWER Mode	74
Table 17. Fixed V_{CORE} Current Consumption STANDBY Mode	74
Table 18. Fixed V_{DDA} Current Consumption STANDBY Mode	74
Table 19. Fixed V_{DDA} Current Consumption BACKUP Mode	75
Table 20. Fixed V_{CORE} Current Consumption BACKUP Mode	75

Absolute Maximum Ratings

V _{CORE}	-0.3V to +1.21V	Output Current (sink) by Any GPIO Pin.....	25mA
V _{DDIO} , V _{DDA}	-0.3V to +1.89V	Output Current (source) by Any GPIO Pin.....	-25mA
V _{DD3A} , V _{DDIOH}	-0.3V to +3.6V	V _{DDIO} Combined Pins (sink).....	100mA
V _{DDA_BB} , V _{DDA_RF}	-0.3V to +1.21V	V _{DDIOH} Combined Pins (sink).....	100mA
V _{REF}	-0.3V to V _{DD3A} + 0.3V	V _{SSA} , V _{SSA_RF} , V _{SSA_BB}	100mA
BLE_LDO_IN (GCR_BTLEDOCTRL.Idotxbyp = 0).....	-0.3V to +1.89V	V _{SS}	100mA
BLE_LDO_IN (GCR_BTLEDOCTRL.Idotxbyp = 1).....	-0.3V to 1.21V	Continuous Package Power Dissipation TQFN (multilayer board) T _A = +70°C (derate 49.5mW/°C above +70°C).....	3960.40mW
RSTN, GPIO (<i>Note 1</i>).....	-0.3V to V _{DDIOH} + 0.3V	Continuous Package Power Dissipation WLP (multilayer board) T _A = +70°C (derate 28.47mW/°C above +70°C).....	1564.72mW
32KIN, 32KOUT.....	-0.3V to V _{DDA} + 0.2V	Continuous Package Power Dissipation CTBGA (multilayer board) T _A = +70°C (derate 37mW/°C above +70°C).....	1564.72mW
HFXIN, HFXOUT.....	-0.3V to V _{DDA_BB} + 0.2V	Operating Temperature Range.....	-40°C to +105°C
HFXIN, HFXOUT (device pins shall not exceed).....	1.21V	Storage Temperature Range.....	-65°C to +125°C
DM, DP (with respect to V _{SSB}).....	-0.3V to +3.6V	Soldering Temperature.....	+260°C
V _{DDB} (with respect to V _{SSB}).....	-0.3V to +3.6V		

Note 1: No device pins can exceed 3.6V. All voltages with respect to V_{SS} unless otherwise noted.

Stresses beyond those listed under "Absolute Maximum Ratings" may cause permanent damage to the device. These are stress ratings only, and functional operation of the device at these or any other conditions beyond those indicated in the operational sections of the specifications is not implied. Exposure to absolute maximum rating conditions for extended periods may affect device reliability.

Package Information

68 TQFN-EP

Package Code	T6888+2
Outline Number	21-0510
Land Pattern Number	90-0354
Thermal Resistance, Four-Layer Board:	
Junction to Ambient (θ _{JA})	20.20°C/W
Junction to Case (θ _{JC})	1°C/W

140 WLP

Package Code	W1404B4+1
Outline Number	21-100618
Land Pattern Number	Refer to Wafer-Level Packaging (WLP) and Its Applications
Thermal Resistance, Four-Layer Board:	
Junction to Ambient (θ _{JA})	35.13°C/W
Junction to Case (θ _{JC})	N/A

144 CTBGA

Package Code	X14400+9C
Outline Number	21-0492
Land Pattern Number	90-0347
Thermal Resistance, Four-Layer Board:	
Junction to Ambient (θ _{JA})	27°C/W
Junction to Case (θ _{JC})	16°C/W

For the latest package outline information and land patterns (footprints), go to the www.analog.com/en/design-center/package-quality-symbols-footprints/package-index.html on the Analog Devices website. Note that a "+", "#", or "-" in

the package code indicates RoHS status only. Package drawings may show a different suffix character, but the drawing pertains to the package regardless of RoHS status.

Package thermal resistances were obtained using the method described in JEDEC specification JESD51-7, using a four-layer board. For detailed information on package thermal considerations, refer to www.analog.com/en/technical-articles/thermal-characterization-of-ic-packages.html.

Electrical Characteristics

(All specifications and characteristics apply across the entire operating conditions range unless otherwise noted.)

PARAMETER	SYMBOL	CONDITIONS	MIN	TYP	MAX	UNITS
POWER						
Supply Voltage, Core	V _{CORE}	f _{SYS_CLK} = 120MHz. See Power Supply Considerations for additional requirements.	1.045	1.1	1.155	V
Supply Voltage, Analog	V _{DD3A}	V _{DD3A} and V _{DDIOH} must be connected together at the circuit board level.	1.71	3.0	3.6	V
	V _{DDA}	V _{DDA} and V _{DDIO} must be connected together at the circuit board level.	1.71	1.8	1.89	
Supply Voltage, GPIO	V _{DDIO}	V _{DDA} and V _{DDIO} must be connected together at the circuit board level. See Power Supply Considerations for additional requirements.	1.71	1.8	1.89	V
Supply Voltage, GPIO (High)	V _{DDIOH}	V _{DD3A} and V _{DDIOH} must be connected together at the circuit board level. See Power Supply Considerations for additional requirements.	1.71	3.0	3.6	V
Power-Fail Reset Voltage	V _{RST}	Monitors V _{CORE}		1.02		V
		Monitors V _{DDA}	1.58	1.64	1.7	
		Monitors V _{DDIO}	1.58	1.64	1.7	
		Monitors V _{DDB}		2.95		
		Monitors V _{DDIOH}	1.58	1.64	1.7	
		Monitors V _{RXOUT}		0.773		
Power-on Reset (POR) Voltage	V _{POR}	Monitors V _{CORE}		0.585		V
		Monitors V _{DDA}		1.175		
		Monitors V _{DD3A}		1.175		

Electrical Characteristics (continued)

(All specifications and characteristics apply across the entire operating conditions range unless otherwise noted.)

PARAMETER	SYMBOL	CONDITIONS	MIN	TYP	MAX	UNITS
V _{CORE} Current, ACTIVE Mode	I _{CORE_DACT}	Dynamic, IPO enabled, f _{SYS_CLK(MAX)} = 120MHz, total current into V _{CORE} pin, V _{CORE} = 1.1V, CM4 in ACTIVE mode executing Coremark®, RV32 in SLEEP mode; inputs tied to V _{SS} , V _{DDIO} , or V _{DDIOH} ; outputs source/sink 0mA		85		μA/MHz
		Dynamic, IPO enabled, f _{SYS_CLK(MAX)} = 120MHz, total current into V _{CORE} pin, V _{CORE} = 1.1V, CM4 and RV32 in ACTIVE mode executing While(1); inputs tied to V _{SS} , V _{DDIO} , or V _{DDIOH} ; outputs source/sink 0mA. This specification is a function of the IPO frequency.		112		
		Dynamic, IPO enabled, f _{SYS_CLK(MAX)} = 120MHz, total current into V _{CORE} pin, V _{CORE} = 1.1V, CM4 in ACTIVE mode executing While(1), RV32 in SLEEP mode; inputs tied to V _{SS} , V _{DDIO} , or V _{DDIOH} ; outputs source/sink 0mA		77		
		Dynamic, total current into V _{CORE} pin, V _{CORE} = 1.1V, CM4 in SLEEP mode, RV32 in ACTIVE mode running from ISO; inputs tied to V _{SS} , V _{DDIO} , or V _{DDIOH} ; outputs source/sink 0mA		73		
	I _{CORE_FACT}	Fixed, IPO enabled, ISO enabled, total current into V _{CORE} , V _{CORE} = 1.1V, CM4 in ACTIVE mode 0MHz, RV32 in ACTIVE mode 0MHz; inputs tied to V _{SS} , V _{DDIO} , or V _{DDIOH} ; outputs source/sink 0mA. See Temperature Variance .		1.79		mA
V _{DDA} Fixed Current, ACTIVE Mode	I _{DDA_FACT}	Fixed, IPO enabled, total current into V _{DDA} pins, V _{DDA} = 1.8, CM4 in ACTIVE mode 0MHz execution, RV32 in ACTIVE mode 0MHz execution; inputs tied to V _{SS} , V _{DDIO} , or V _{DDIOH} ; outputs source/sink 0mA, V _{CORE} and V _{DDA} voltage monitors enabled. See Temperature Variance .		399		μA
V _{CORE} Current, SLEEP Mode	I _{CORE_DSPLP}	Dynamic, IPO enabled, f _{SYS_CLK(MAX)} = 120MHz, ISO enabled, total current into V _{CORE} pins, V _{CORE} = 1.1V, CM4 in SLEEP mode, RV32 in SLEEP mode, standard DMA with two channels active; inputs tied to V _{SS} , V _{DDIO} , or V _{DDIOH} ; outputs source/sink 0mA		25.4		μA/MHz
	I _{CORE_FSPLP}	Fixed, IPO enabled, ISO enabled, total current into V _{CORE} pins, V _{CORE} = 1.1V, CM4 in SLEEP mode, RV32 in SLEEP mode; inputs tied to V _{SS} , V _{DDIO} , or V _{DDIOH} ; outputs source/sink 0mA. See Temperature Variance .		3.4		mA

Electrical Characteristics (continued)

(All specifications and characteristics apply across the entire operating conditions range unless otherwise noted.)

PARAMETER	SYMBOL	CONDITIONS	MIN	TYP	MAX	UNITS
V _{DDA} Fixed Current, SLEEP Mode	I _{DDA_FSLP}	Fixed, IPO enabled, f _{SYS_CLK} = 120MHz, total current into V _{DDA} pins, CM4 in SLEEP mode, RV32 in SLEEP mode, standard DMA with two channels active. See Temperature Variance .		399		μA
V _{CORE} Current, LOW POWER Mode	I _{CORE_DLP}	Dynamic, ISO enabled, total current into V _{CORE} pins, V _{CORE} = 1.1V, CM4 powered off, RV32 in ACTIVE mode, f _{SYS_CLK(MAX)} = 60MHz; inputs tied to V _{SS} , V _{DDIO} , or V _{DDIOH} ; outputs source/sink 0mA		37.1		μA/MHz
	I _{CORE_FLP}	Fixed, ISO enabled, total current into V _{CORE} pins, V _{CORE} = 1.1V, CM4 powered off, RV32 in ACTIVE mode 0MHz; inputs tied to V _{SS} , V _{DDIO} , or V _{DDIOH} ; outputs source/sink 0mA. See Temperature Variance .		1.01		mA
V _{DDA} Fixed Current, LOW POWER Mode	I _{DDA_FLP}	Standby state with full data retention, IBRO enabled, V _{CORE} and V _{DDA} voltage monitors enabled. See Temperature Variance .		54		μA
V _{CORE} Current, MICRO POWER Mode	I _{CORE_DMP}	Dynamic, ERTCO enabled, IBRO enabled, total current into V _{CORE} pins, V _{CORE} = 1.1V, LPUART active, f _{LPUART} = 32.768kHz; inputs tied to V _{SS} , V _{DDIO} , or V _{DDIOH} ; outputs source/sink 0mA		86		μA
V _{CORE} Current, STANDBY Mode	I _{CORE_STBY}	Fixed, total current into V _{CORE} pins, V _{CORE} = 1.1V; inputs tied to V _{SS} , V _{DDIO} , or V _{DDIOH} ; outputs source/sink 0mA. See Temperature Variance .		0.61		μA
V _{DDA} Current, STANDBY Mode	I _{DDA_STBY}	Fixed, total current into V _{DDA} pins, V _{DDA} = 1.8V; inputs tied to V _{SS} , V _{DDIO} , or V _{DDIOH} ; outputs source/sink 0mA. See Temperature Variance .		23		μA
V _{DDIO} Current, STANDBY Mode	I _{DDIO_STBY}	GPIO input; pull-up/pull-down enabled		112		nA
V _{DDIOH} Current, STANDBY Mode	I _{DDIOH_STBY}	GPIO input; pull-up/pull-down enabled		114		nA

Electrical Characteristics (continued)

(All specifications and characteristics apply across the entire operating conditions range unless otherwise noted.)

PARAMETER	SYMBOL	CONDITIONS	MIN	TYP	MAX	UNITS
V _{DDA} Current, BACKUP Mode	I _{DDA_BKU}	Total current into V _{DDA} pins, V _{DDA} = 1.8V, RTC disabled; inputs tied to V _{SS} , V _{DDIO} , or V _{DDIOH} ; outputs source/sink 0mA. See Temperature Variance .	All SRAM retained		13.75	μA
		Total current into V _{DDA} pins, V _{DDA} = 1.8V, RTC disabled; inputs tied to V _{SS} , V _{DDIO} , or V _{DDIOH} ; outputs source/sink 0mA. See Temperature Variance .	No SRAM retention		2.09	
V _{CORE} Fixed Current, BACKUP Mode	I _{CORE_BKU}	V _{CORE} = 1.1V. See Temperature Variance .		0.65		μA
V _{DDIO} Current, BACKUP Mode	I _{DDIO_BKU}	GPIO input; pull-up/pull-down enabled		86		nA
V _{DDIOH} Current, BACKUP Mode	I _{DDIOH_BKU}	GPIO input; pull-up/pull-down enabled		110		nA
SLEEP Mode Resume Time	t _{SLP_ON}	Time from power mode exit to execution of first user instruction		0.500		μs
LOW POWER Mode Resume Time	t _{LP_ON}	Time from power mode exit to execution of first user instruction		18		μs
MICRO POWER Mode Resume Time	t _{MP_ON}	Time from power mode exit to execution of first user instruction		20		μs
STANDBY Mode Resume Time	t _{STBY_ON}	Time from power mode exit to execution of first user instruction		23		μs
BACKUP Mode Resume Time	t _{BKU_ON}	Time from power mode exit to execution of first user instruction		2.2		ms
CLOCKS						
System Clock Frequency	f _{SYS_CLK}				120	MHz
System Clock Period	t _{SYS_CLK}			1/f _{SYS_CLK}		ns
Internal Primary Oscillator (IPO)	f _{IPO}			120		MHz
Internal Secondary Oscillator (ISO)	f _{ISO}			60		MHz
Internal Baud Rate Oscillator (IBRO)	f _{IBRO}			7.3728		MHz
Internal Nanoring Oscillator (INRO)	f _{INRO}			8		kHz

Electrical Characteristics (continued)

(All specifications and characteristics apply across the entire operating conditions range unless otherwise noted.)

PARAMETER	SYMBOL	CONDITIONS	MIN	TYP	MAX	UNITS
External RTC Oscillator (ERTCO) Frequency	f_{ERTCO}	32kHz watch crystal, $C_{L_XTAL} = 6\text{pF}$, $ESR < 90\text{k}\Omega$, $C_0 \leq 2\text{pF}$, crystal power dissipation rating minimum $0.5\mu\text{W}$, no external load capacitors. See RTC Crystal Guidelines .		32.768		kHz
External RF Oscillator (ERFO) Frequency	f_{ERFO}	32MHz crystal, $C_{L_XTAL} = 12\text{pF}$, $ESR \leq 50\Omega$, $C_0 \leq 7\text{pF}$, temperature stability $\pm 20\text{ppm}$, initial tolerance $\pm 20\text{ppm}$, crystal power dissipation rating minimum $100\mu\text{W}$. Refer to the MAX32690 User Guide for details on calculating the load capacitors.		32		MHz
RTC Operating Current	I_{RTC}	All power modes, RTC enabled		0.3		μA
RTC Power-Up Time	t_{RTC_ON}			250		ms
External I ² S Clock Input Frequency	$f_{EXT_I2S_CLK}$	I2S0x_CLKEXT selected			25	MHz
External System Clock Input Frequency	f_{EXT_CLK}	CLKEXT selected			80	MHz
External Low-Power Timer0 Clock Input Frequency	$f_{EXT_LPTMR0_CLK}$	LPTMR0_CLK selected			8	MHz
External Low-Power Timer1 Clock Input Frequency	$f_{EXT_LPTMR1_CLK}$	LPTMR1_CLK selected			8	MHz
External ADC Clock Input Frequency	$f_{ADC_CLK_EXT}$	ADC_CLK_EXT selected			25	MHz
GENERAL-PURPOSE I/O						
Input Low Voltage for All GPIO Except P4.0 and P4.1	V_{IL_VDDIO} (Note 2)	V_{DDIO} selected as I/O supply			$0.3 \times V_{DDIO}$	V
Input Low Voltage for All GPIO Except for P1.[11:21]	V_{IL_VDDIOH} (Note 3)	V_{DDIOH} selected as I/O supply			$0.3 \times V_{DDIOH}$	V
Input Low Voltage for RSTN	V_{IL_RSTN}	V_{DDIOH} selected as I/O supply		$0.5 \times V_{DDIOH}$		V
		V_{DDIO} selected as I/O supply (POR default)		$0.5 \times V_{DDIO}$		
Input High Voltage for All GPIO Except P4.0 and P4.1	V_{IH_VDDIO} (Note 2)	V_{DDIO} selected as I/O supply	$0.7 \times V_{DDIO}$			V
Input High Voltage for All GPIO Except for P1.[11:21]	V_{IH_VDDIOH} (Note 3)	V_{DDIOH} selected as I/O supply	$0.7 \times V_{DDIOH}$			V
Input High Voltage for RSTN	V_{IH_RSTN}	V_{DDIOH} selected as I/O supply		$0.5 \times V_{DDIOH}$		V
		V_{DDIO} selected as I/O supply (POR default)		$0.5 \times V_{DDIO}$		

Electrical Characteristics (continued)

(All specifications and characteristics apply across the entire operating conditions range unless otherwise noted.)

PARAMETER	SYMBOL	CONDITIONS	MIN	TYP	MAX	UNITS
Output Low Voltage for All GPIO Except P4.0 and P4.1	V_{OL_VDDIO} (Note 2)	V_{DDIO} selected as I/O supply, $V_{DDIO} = 1.71V$, $GPIO_n_DS_SEL[1:0] = 00$, $I_{OL} = 1mA$		0.2	0.4	V
		V_{DDIO} selected as I/O supply, $V_{DDIO} = 1.71V$, $GPIO_n_DS_SEL[1:0] = 01$, $I_{OL} = 2mA$		0.2	0.4	
		V_{DDIO} selected as I/O supply, $V_{DDIO} = 1.71V$, $GPIO_n_DS_SEL[1:0] = 10$, $I_{OL} = 4mA$		0.2	0.4	
		V_{DDIO} selected as I/O supply, $V_{DDIO} = 1.71V$, $GPIO_n_DS_SEL[1:0] = 11$, $I_{OL} = 8mA$		0.2	0.4	
Output Low Voltage for P4.0 and P4.1	V_{OL_VDDIOH}	$V_{DDIOH} = 1.71V$, $GPIO_n_DS_SEL[1:0]$ fixed at 00, $I_{OL} = 8mA$		0.2	0.4	V
Output Low Voltage for All GPIO Except for P1.[11:21]	V_{OL_VDDIOH} (Note 3)	V_{DDIOH} selected as I/O supply, $V_{DDIOH} = 1.71V$, $GPIO_n_DS_SEL[1:0] = 00$, $I_{OL} = 1mA$		0.2	0.4	V
		V_{DDIOH} selected as I/O supply, $V_{DDIOH} = 1.71V$, $GPIO_n_DS_SEL[1:0] = 01$, $I_{OL} = 2mA$		0.2	0.4	
		V_{DDIOH} selected as I/O supply, $V_{DDIOH} = 1.71V$, $GPIO_n_DS_SEL[1:0] = 10$, $I_{OL} = 4mA$		0.2	0.4	
		V_{DDIOH} selected as I/O supply, $V_{DDIOH} = 1.71V$, $GPIO_n_DS_SEL[1:0] = 11$, $I_{OL} = 8mA$		0.2	0.4	
Combined I_{OL} , All GPIO	I_{OL_TOTAL}				48	mA
Output High Voltage for All GPIO Except P4.0 and P4.1	V_{OH_VDDIO} (Note 2)	V_{DDIO} selected as I/O supply, $V_{DDIO} = 1.71V$, $GPIO_n_DS_SEL[1:0] = 00$, $I_{OH} = -1mA$	$V_{DDIO} - 0.4$			V
		V_{DDIO} selected as I/O supply, $V_{DDIO} = 1.71V$, $GPIO_n_DS_SEL[1:0] = 01$, $I_{OH} = -2mA$	$V_{DDIO} - 0.4$			
		V_{DDIO} selected as I/O supply, $V_{DDIO} = 1.71V$, $GPIO_n_DS_SEL[1:0] = 10$, $I_{OH} = -4mA$	$V_{DDIO} - 0.4$			
		V_{DDIO} selected as I/O supply, $V_{DDIO} = 1.71V$, $GPIO_n_DS_SEL[1:0] = 11$, $I_{OH} = -8mA$	$V_{DDIO} - 0.4$			

Electrical Characteristics (continued)

(All specifications and characteristics apply across the entire operating conditions range unless otherwise noted.)

PARAMETER	SYMBOL	CONDITIONS	MIN	TYP	MAX	UNITS
Output High Voltage for All GPIO Except P4.0, P4.1, and P1.[11:21]	V_{OH_VDDIOH} (<i>Note 3</i>)	V_{DDIOH} selected as I/O supply, $V_{DDIOH} = 1.71V$, $GPIO_n_DS_SEL[1:0] = 00$, $I_{OH} = -1mA$	$V_{DDIOH} - 0.4$			V
		V_{DDIOH} selected as I/O supply, $V_{DDIOH} = 1.71V$, $GPIO_n_DS_SEL[1:0] = 01$, $I_{OH} = -2mA$	$V_{DDIOH} - 0.4$			
		V_{DDIOH} selected as I/O supply, $V_{DDIOH} = 1.71V$, $GPIO_n_DS_SEL[1:0] = 10$, $I_{OH} = -8mA$	$V_{DDIOH} - 0.4$			
		V_{DDIOH} selected as I/O supply, $V_{DDIOH} = 1.71V$, $GPIO_n_DS_SEL[1:0] = 11$, $I_{OH} = -8mA$	$V_{DDIOH} - 0.4$			
Output High Voltage for P4.0 and P4.1	V_{OH_VDDIOH}	$V_{DDIOH} = 1.71V$, $GPIO_n_DS_SEL[1:0]$ fixed at 00, $I_{OH} = -1mA$	$V_{DDIOH} - 0.4$			V
Combined I_{OH} , All GPIO	I_{OH_TOTAL}				-48	mA
Input Hysteresis (Schmitt)	V_{IHYS}			300		mV
Input Leakage Current Low	I_{IL}	$V_{DDIO} = 1.89V$, $V_{DDIOH} = 3.6V$, V_{DDIOH} selected as I/O supply, $V_{IN} = 0V$, internal pull-up disabled	-100		+100	nA
Input Leakage Current High	I_{IH}	$V_{DDIO} = 1.89V$, $V_{DDIOH} = 3.6V$, V_{DDIOH} selected as I/O supply, $V_{IN} = 3.6V$, internal pull-down disabled	-800		+800	nA
	I_{OFF}	$V_{DDIO} = 0V$, $V_{DDIOH} = 0V$, V_{DDIO} selected as I/O supply, $V_{IN} < 1.89V$	-1		+1	μA
	I_{IH3V}	$V_{DDIO} = V_{DDIOH} = 1.71V$, V_{DDIO} selected as I/O supply, $V_{IN} = 3.6V$	-2		+2	
Input Pull-up/Pull-down Resistor for All GPIO and RSTN	R_{PU1}	Normal resistance		25		k Ω
	R_{PU2}	Highest resistance		1		M Ω
RSTN Assertion Time	t_{RSTN}	Device in ACTIVE mode, RSTN device pin assertion duration to entry into device reset state.		6 x t_{SYS_CLK}		μs
BLUETOOTH RADIO / POWER						
Bluetooth LDO Input Voltage	$V_{BLE_LDO_IN}$	$GCR_BTLELDOCTRL.Idotxbyp = 0$	1.1	1.2	1.89	V
		$GCR_BTLELDOCTRL.Idotxbyp = 1$; input supply ripple $< 0.3mV_{P-P}$	1.1	1.2	1.21	
BLUETOOTH RADIO / FREQUENCY						
Operating Frequency		1MHz channel spacing	2360		2500	MHz
PLL Programming Resolution	PLL-RES			1		MHz
Frequency Deviation at 1Mbps	Δf_{1MHz}			± 170		kHz
Frequency Deviation at Bluetooth LE 1Mbps	$\Delta f_{BLE1MHz}$			± 250		kHz

Electrical Characteristics (continued)

(All specifications and characteristics apply across the entire operating conditions range unless otherwise noted.)

PARAMETER	SYMBOL	CONDITIONS		MIN	TYP	MAX	UNITS
Frequency Deviation at 2Mbps	$\Delta f_{2\text{MHz}}$				±320		kHz
Frequency Deviation at Bluetooth LE 2Mbps	$\Delta f_{\text{BLE}2\text{MHz}}$				±500		kHz
BLUETOOTH RADIO / CURRENT CONSUMPTION (IPO enabled, $f_{\text{SYS_CLK}} = 120\text{MHz}$, Bluetooth LE stack running on CM4. Measured at the V_{CORE} device pin at 1.1V, measured at the BLE_LDO_IN device pin at 1.2V, RV32 is disabled)							
Tx Run Current	I_{CORE}				9.08		mA
	$I_{\text{BLE_LDO_IN_}+4.5\text{DBM}}$	$P_{\text{RF}} = +4.5\text{dBm}$			11.5		
	$I_{\text{BLE_LDO_IN_}0\text{DBM}}$	$P_{\text{RF}} = 0\text{dBm}$			7.0		
	$I_{\text{BLE_LDO_IN_} -10\text{DBM}}$	$P_{\text{RF}} = -10\text{dBm}$			4.7		
Tx Idle Current	$I_{\text{CORE_IDLE_T}X}$	Digital baseband idle channel			8.6		mA
	$I_{\text{BLE_LDO_IN_I}DLE_TX}$	Digital baseband idle channel			0.07		μA
BLUETOOTH RADIO / CURRENT CONSUMPTION (IPO enabled, $f_{\text{SYS_CLK}} = 120\text{MHz}$, Bluetooth LE stack running on CM4. Measured at the V_{CORE} device pin at 1.1V, measured at the BLE_LDO_IN device pin at 1.2V, RV32 is disabled)							
Rx Run Current	$I_{\text{CORE_1M}}$	$f_{\text{RX}} = 1\text{Mbps}$			10.2		mA
	$I_{\text{BLE_LDO_IN_}1\text{M}}$	$f_{\text{RX}} = 1\text{Mbps}$			4.8		
	$I_{\text{CORE_2M}}$	$f_{\text{RX}} = 2\text{Mbps}$			10.8		
	$I_{\text{BLE_LDO_IN_}2\text{M}}$	$f_{\text{RX}} = 2\text{Mbps}$			4.8		
Rx Idle Current	$I_{\text{CORE_IDLE_R}X}$	Digital baseband idle channel			8.6		mA
	$I_{\text{BLE_LDO_IN_I}DLE_RX}$	Digital baseband idle channel			0.07		μA
BLUETOOTH RADIO / TRANSMITTER							
Maximum Output Power	P_{RF}				+4.5		dBm
RF Power Accuracy	$P_{\text{RF_ACC}}$				±1		dB
First Adjacent Channel Transmit Power ±2MHz	$P_{\text{RF}1_1}$	2Mbps Bluetooth LE			-39.2		dBc
First Adjacent Channel Transmit Power ±4MHz	$P_{\text{RF}2_1}$	2Mbps Bluetooth LE			-52.7		dBc
BLUETOOTH RADIO / RECEIVER (Refer to the Bluetooth 5.2 test specification for adjacent interference and intermodulation test methodology.)							
Maximum Received Signal Strength at < 0.1% PER	$P_{\text{RX_MAX}}$				0		dBm
Receiver Sensitivity, Ideal Transmitter	$P_{\text{SENS_IT}}$	Measured with 37-byte payload	1Mbps Bluetooth LE		-97		dBm
			2Mbps Bluetooth LE		-94		

Electrical Characteristics (continued)

(All specifications and characteristics apply across the entire operating conditions range unless otherwise noted.)

PARAMETER	SYMBOL	CONDITIONS		MIN	TYP	MAX	UNITS
Receiver Sensitivity, Dirty Transmitter	P _{SENS_DT}	Measured with 37-byte payload	1Mbps Bluetooth LE		-96		dBm
			2Mbps Bluetooth LE		-93.2		
Receiver Sensitivity, Long Range Coded	P _{SENS_LR}	Measured with 37-byte payload	125kbps Bluetooth LE		-104.2		dBm
			500kbps Bluetooth LE		-101		
C/I Co-Channel	C/I _{1MHz}	1Mbps Bluetooth LE			8.5		dB
	C/I _{2MHz}	2Mbps Bluetooth LE			8.6		
	C/I _{S2}	Coded mode at 125kbps			2.6		
	C/I _{S8}	Coded mode at 500kbps			3.8		
Adjacent Interference	C/I _{+1_1}	+1MHz offset, 1Mbps Bluetooth LE			2.1		dB
	C/I _{-1_1}	-1MHz offset, 1Mbps Bluetooth LE			-2.8		
	C/I _{+2_1}	+2MHz offset, 1Mbps Bluetooth LE			-29.6		
	C/I _{-2_1}	-2MHz offset, 1Mbps Bluetooth LE			-33.7		
	C/I _{+2_2}	+2MHz offset, 2Mbps Bluetooth LE			3		
	C/I _{-2_2}	-2MHz offset, 2Mbps Bluetooth LE			2		
	C/I _{+4_2}	+4MHz offset, 2Mbps Bluetooth LE			-21		
	C/I _{-4_2}	-4MHz offset, 2Mbps Bluetooth LE			-23		
Adjacent Interference, (3+n) MHz Offset [n = 0, 1, 2, . . .]	C/I _{3+MHZ}	1Mbps Bluetooth LE			-34.3		dB
Adjacent Interference, (6+2n) MHz Offset [n = 0, 1, 2, . . .]	C/I _{6+MHZ}	2Mbps Bluetooth LE			-32.9		dB
Intermodulation Performance, 1Mbps Bluetooth LE with 3MHz, 4MHz, 5MHz Offset	P _{IMD_1MBPS}	1Mbps Bluetooth LE			-37.2		dBm
Intermodulation Performance, 2Mbps Bluetooth LE with 6MHz, 8MHz, 10MHz Offset	P _{IMD_2MBPS}	2Mbps Bluetooth LE			-37.8		dBm
Received Signal Strength Indicator Accuracy	RSSI _{ACC}				±3		dB
Received Signal Strength Indicator Range	RSSI _{RANGE}				-98 to -15		dBm
12-BIT SAR ADC							
V _{DD3A} Idle Current	I _{VDD3A}	ADC_CTRL0.resetb = 0, ADC_CTRL0.bias_en = 0, ADC_CTRL0.adc_en = 0, input buffer disabled			2.1		µA

Electrical Characteristics (continued)

(All specifications and characteristics apply across the entire operating conditions range unless otherwise noted.)

PARAMETER	SYMBOL	CONDITIONS		MIN	TYP	MAX	UNITS
V _{DD3A} ADC Active Current	I _{ADC}	ADC active, reference buffer enabled, ADC clock = 25MHz	MCR_ADCCFG0.e xt_ref = 0, MCR_ADCCFG0.r ef_sel = 0, V _{DD3A} = 3.3V		283		μA
			MCR_ADCCFG0.e xt_ref = 0, MCR_ADCCFG0.r ef_sel = 1, V _{DD3A} = 3.3V		339		
		ADC active, reference buffer enabled, ADC clock = 16MHz	MCR_ADCCFG0.e xt_ref = 0, MCR_ADCCFG0.r ef_sel = 0, V _{DD3A} = 3.3V		216		
			MCR_ADCCFG0.e xt_ref = 0, MCR_ADCCFG0.r ef_sel = 1, V _{DD3A} = 3.3V		271		
12-BIT SAR ADC / Input Buffer Enabled (FCR_SARBUFCN.thru_pad_sw_enx = 1; FCR_SARBUFCN.thru_en = 1; FCR_SARBUFCN.amp_en = 1)							
Resolution					12		bits
Effective Number of Bits	ENOB	ADC_CLKCTRL.clkdiv = 0b000; AINx input pk-pk = V _{REF} - 10mV			10		bits
External Reference Voltage	V _{REF}	V _{REF} ≤ V _{DD3A}		2.048		V _{DD3A}	V
Internal Reference Voltage	V _{INT_REF}	MCR_ADCCFG0.ext_ref = 0, MCR_ADCCFG0.ref_sel = 0			1.25		V
	V _{INT_REF}	MCR_ADCCFG0.ext_ref = 0, MCR_ADCCFG0.ref_sel = 1			2.048		
ADC Clock Rate Maximum	f _{ACLK}					25	MHz
Input Voltage Range	V _{AIN}	AIN[7:0], ADC_DATA.chan = [7:0]	FCR_SARBUFCN. divsel = 0b00	V _{SSA} + 0.05		MIN (V _{REF} , V _{DDIOH})	V
			FCR_SARBUFCN. divsel = 0b01	V _{SSA} + 0.05		MIN (V _{REF} , V _{DDIOH})	
			FCR_SARBUFCN. divsel = 0b10	V _{SSA} + 0.05		MIN (2 x V _{REF} , V _{DDIOH})	
			FCR_SARBUFCN. divsel = 0b11	V _{SSA} + 0.05		MIN (3 x V _{REF} , V _{DDIOH})	
ADC Buffer Current	I _{ADCBUFFER}	FCR_SARBUFCN = 0b11, input voltage = 1.1V			67.7		μA

Electrical Characteristics (continued)

(All specifications and characteristics apply across the entire operating conditions range unless otherwise noted.)

PARAMETER	SYMBOL	CONDITIONS	MIN	TYP	MAX	UNITS
Input Impedance	R _{AIN}	Input impedance is leakage only when the input buffer is enabled.		100		MΩ
Analog Input Capacitance	C _{AIN}	Fixed capacitance to V _{SSA}		2		pF
Integral Nonlinearity	INL			±4		LSb
Differential Nonlinearity	DNL			±0.75		LSb
Offset Error	V _{OS}	Chopping enabled		±0.25		LSb
ADC Input Buffer Offset	V _{OS}			±1.5		LSb
ADC Sample Rate	f _{ADC}	Bandwidth limited by the input buffer			25	kHz
ADC Setup Time	t _{ADC_SU}	Any power-up of ADC clock or ADC bias to CpuAdcStart			500	μs
ADC Input Leakage	I _{ADC_LEAK}			±1.2		nA
Bandgap Temperature Coefficient	V _{TEMPCO}	Box method		±45		ppm
12-BIT SAR ADC / Input Buffer Disabled (FCR_SARBUFCN.thru_pad_sw_enx = 0; FCR_SARBUFCN.thru_en = 0; FCR_SARBUFCN.amp_en = 0)						
Resolution				12		bits
Effective Number of Bits	ENOB	ADC_CLKCTRL.clkdiv = 0b000; AINx input pk-pk = V _{REF} - 10mV		10		bits
External Reference Voltage	V _{REF}	V _{REF} ≤ V _{DD3A}	2.048		V _{DD3A}	V
Internal Reference Voltage	V _{INT_REF}	MCR_ADCCFG0.ext_ref = 0, MCR_ADCCFG0.ref_sel = 0		1.25		V
	V _{INT_REF}	MCR_ADCCFG0.ext_ref = 0, MCR_ADCCFG0.ref_sel = 1		2.048		
ADC Clock Rate Maximum	f _{ADCCLK}				25	MHz
Input Voltage Range	V _{AIN}	AIN[7:0], ADC_DATA.chan = [7:0]	FCR_SARBUFCN. divsel = 0b00	V _{SSA} + 0.05	V _{REF}	V
Input Impedance	R _{AIN}			1.2		MΩ
Analog Input Capacitance	C _{AIN}	Fixed capacitance to V _{SSA}		2		pF
		Dynamically switched capacitance		1.2		pF
Integral Nonlinearity	INL			±1.5		LSb
Differential Nonlinearity	DNL			±0.75		LSb
Offset Error	V _{OS}	Chopping enabled		±0.25		LSb
ADC Sample Rate	f _{ADC}				1	Msp/s
ADC Setup Time	t _{ADC_SU}	Any power-up of ADC clock or ADC bias to CpuAdcStart			500	μs
ADC Input Leakage	I _{ADC_LEAK}	ADC inactive or channel not selected		±1.2		nA
Bandgap Temperature Coefficient	V _{TEMPCO}	Box method		±45		ppm

Electrical Characteristics (continued)

(All specifications and characteristics apply across the entire operating conditions range unless otherwise noted.)

PARAMETER	SYMBOL	CONDITIONS		MIN	TYP	MAX	UNITS
12-BIT SAR ADC / TEMPERATURE SENSOR							
Accuracy	T _{ACC}	Includes linearity and calibration error			±3		°C
Conversion Time	t _{T_CONV}	Includes integration and ADC conversion time			500		µs
Integration Noise 1-Sigma	T _{INTN}	Reduce by $\frac{1}{\sqrt{N}}$ integrations			0.5		°C
COMPARATORS							
Input Offset Voltage	V _{OFFSET}				±1		mV
Input Hysteresis	V _{HYST}	AINCOMPHYST[1:0] = 00			±23		mV
		AINCOMPHYST[1:0] = 01			±50		
		AINCOMPHYST[1:0] = 10			±2		
		AINCOMPHYST[1:0] = 11			±7		
Input Voltage Range	V _{IN_CMP}	Common-mode range		0.6		1.35	V
FLASH MEMORY							
Flash Erase Time	t _{M_ERASE}	Mass erase			20		ms
	t _{P_ERASE}	Page erase			20		
Flash Programming Time per Word	t _{PROG}				42		µs
Flash Endurance				10			kcycles
Data Retention	t _{RET}	T _A = +105°C		10			years
Current Consumption During Flash Programming	I _{PROG}	Current required for flash write/erase	V _{DD}		6.5		mA
USB							
USB Transceiver Supply Voltage	V _{DDB}			3.0	3.3	3.6	V
Pin Capacitance (DP, DM)	C _{IN_USB}	Pin to V _{SSB}			8		pF
Driver Output Resistance	R _{DRV}	Steady-state drive			44 ±10%		Ω
USB / FULL SPEED							
Single-Ended Input High Voltage (DP, DM)	V _{IH_USB}			2.1			V
Single-Ended Input Low Voltage (DP, DM)	V _{IL_USB}					0.5	V
Output High Voltage (DP, DM)	V _{OH_USB}	R _L = 1.5kΩ from DP and DM to V _{SSB} , I _{OH} = -4mA		2.8		V _{DDB}	V
Output Low Voltage (DP, DM)	V _{OL_USB}	R _L = 1.5kΩ from DP to V _{DDB} , I _{OL} = 4mA		V _{SS}		0.3	V
Differential Input Sensitivity	V _{DI}	DP to DM ; system requirement, not tested		0.2			V
Common-Mode Voltage Range	V _{CM}	Includes V _{DI} range; system requirement, not tested		0.8		2.5	V

Electrical Characteristics (continued)

(All specifications and characteristics apply across the entire operating conditions range unless otherwise noted.)

PARAMETER	SYMBOL	CONDITIONS	MIN	TYP	MAX	UNITS
Transition Time (Rise/Fall) DP, DM	t_{RF}	$C_L = 50\text{pF}$	4		20	ns
Pull-up Resistor on Upstream Ports	R_{PU}		1.05	1.5	1.95	$k\Omega$
USB / HI-SPEED						
Hi-Speed Data Signaling Common-Mode Voltage Range	V_{HSCM}		-50		+500	mV
Hi-Speed Squelch Detection Threshold	V_{HSSQ}	Squelch detected		100		mV
		No squelch detected		200		
Hi-Speed Idle Level Output Voltage	V_{HSOI}		-10		+10	mV
Hi-Speed Low-Level Output Voltage	V_{HSOL}		-10		+10	mV
Hi-Speed High-Level Output Voltage	V_{HSOH}			400 \pm 40		mV
Chirp-J Output Voltage (Differential)	V_{CHIRPJ}			900 \pm 200		mV
Chirp-K Output Voltage (Differential)	V_{CHIRPK}			-700 \pm 200		mV

Electrical Characteristics— I^2C

(All specifications and characteristics apply across the entire operating conditions range unless otherwise noted.)

PARAMETER	SYMBOL	CONDITIONS	MIN	TYP	MAX	UNITS
STANDARD MODE						
Output Fall Time	t_{OF}	Standard mode, from $V_{IH(MIN)}$ to $V_{IL(MAX)}$		150		ns
SCL Clock Frequency	f_{SCL}		0		100	kHz
Low Period SCL Clock	t_{LOW}		4.7			μs
High Time SCL Clock	t_{HIGH}		4.0			μs
Setup Time for Repeated Start Condition	$t_{SU;STA}$		4.7			μs
Hold Time for Repeated Start Condition	$t_{HD;STA}$		4.0			μs
Data Setup Time	$t_{SU;DAT}$			300		ns
Data Hold Time	$t_{HD;DAT}$			10		ns
Rise Time for SDA and SCL	t_R			800		ns
Fall Time for SDA and SCL	t_F			200		ns
Setup Time for a Stop Condition	$t_{SU;STO}$		4.0			μs

Electrical Characteristics—I²C (continued)

(All specifications and characteristics apply across the entire operating conditions range unless otherwise noted.)

PARAMETER	SYMBOL	CONDITIONS	MIN	TYP	MAX	UNITS
Bus Free Time Between a Stop and Start Condition	t _{BUS}		4.7			μs
Data Valid Time	t _{VD;DAT}				3.45	μs
Data Valid Acknowledge Time	t _{VD;ACK}				3.45	μs
FAST MODE						
Output Fall Time	t _{OF}	From V _{IH(MIN)} to V _{IL(MAX)}		150		ns
Pulse Width Suppressed by Input Filter	t _{SP}			75		ns
SCL Clock Frequency	f _{SCL}		0		400	kHz
Low Period SCL Clock	t _{LOW}		1.3			μs
High Time SCL Clock	t _{HIGH}		0.6			μs
Setup Time for Repeated Start Condition	t _{SU;STA}		0.6			μs
Hold Time for Repeated Start Condition	t _{HD;STA}		0.6			μs
Data Setup Time	t _{SU;DAT}			125		ns
Data Hold Time	t _{HD;DAT}			10		ns
Rise Time for SDA and SCL	t _R			30		ns
Fall Time for SDA and SCL	t _F			30		ns
Setup Time for a Stop Condition	t _{SU;STO}		0.6			μs
Bus Free Time Between a Stop and Start Condition	t _{BUS}		1.3			μs
Data Valid Time	t _{VD;DAT}				0.9	μs
Data Valid Acknowledge Time	t _{VD;ACK}				0.9	μs
FAST-MODE PLUS						
Output Fall Time	t _{OF}	From V _{IH(MIN)} to V _{IL(MAX)}		80		ns
Pulse Width Suppressed by Input Filter	t _{SP}			75		ns
SCL Clock Frequency	f _{SCL}		0		1000	kHz
Low Period SCL Clock	t _{LOW}		0.5			μs
High Time SCL clock	t _{HIGH}		0.26			μs
Setup Time for Repeated Start Condition	t _{SU;STA}		0.26			μs
Hold Time for Repeated Start Condition	t _{HD;STA}		0.26			μs

Electrical Characteristics—I²C (continued)

(All specifications and characteristics apply across the entire operating conditions range unless otherwise noted.)

PARAMETER	SYMBOL	CONDITIONS	MIN	TYP	MAX	UNITS
Data Setup Time	t _{SU;DAT}			50		ns
Data Hold Time	t _{HD;DAT}			10		ns
Rise Time for SDA and SCL	t _R			50		ns
Fall Time for SDA and SCL	t _F			30		ns
Setup Time for a Stop Condition	t _{SU;STO}		0.26			μs
Bus Free Time Between a Stop and Start Condition	t _{BUS}		0.5			μs
Data Valid Time	t _{VD;DAT}				0.45	μs
Data Valid Acknowledge Time	t _{VD;ACK}				0.45	μs

Electrical Characteristics—I²S

(All specifications and characteristics apply across the entire operating conditions range unless otherwise noted.)

PARAMETER	SYMBOL	CONDITIONS	MIN	TYP	MAX	UNITS
TARGET						
Bit Clock Frequency	f _{BCLKS}				25	MHz
Bit Clock Period	t _{BCLKS}		$\frac{1}{f_{BCLKS}}$			μs
BCLK High Time	t _{WBCLKHS}			$0.5 \times \frac{1}{f_{BCLKS}}$		μs
BCLK Low Time	t _{WBCLKLS}			$0.5 \times \frac{1}{f_{BCLKS}}$		μs
Setup Time for LRCLK	t _{LRCLK_BCLKS}			20		ns
Delay Time, BCLK to SD (Output) Valid	t _{BCLK_SDOS}			20		ns
Setup Time for SD (Input)	t _{SU_SDIS}			10		ns
Hold Time SD (Input)	t _{HD_SDIS}			10		ns
CONTROLLER						
Bit Clock Frequency	f _{BCLKM}	Source only from I2S0B_CLKEXT (P0.23 Alternate Function 2)			80	MHz
Bit Clock Period	t _{BCLKM}		$\frac{1}{f_{BCLKM}}$			μs
BCLK High Time	t _{WBCLKHM}			$0.5 \times \frac{1}{f_{BCLKM}}$		μs
BCLK Low Time	t _{WBCLKLM}			$0.5 \times \frac{1}{f_{BCLKM}}$		μs
Delay Time BCLK to LRCLK Valid	t _{BCLK_LRCLKM}			20		ns

Electrical Characteristics—I²S (continued)

(All specifications and characteristics apply across the entire operating conditions range unless otherwise noted.)

PARAMETER	SYMBOL	CONDITIONS	MIN	TYP	MAX	UNITS
Delay Time, BCLK to SD (Output) Valid	$t_{\text{BCLK_SDOM}}$			20		ns
Setup Time for SD (Input)	$t_{\text{SU_SDIM}}$			10		ns
Hold Time SD (Input)	$t_{\text{HD_SDIM}}$			10		ns

Electrical Characteristics—SPI

(All specifications and characteristics apply across the entire operating conditions range unless otherwise noted.)

PARAMETER	SYMBOL	CONDITIONS	MIN	TYP	MAX	UNITS
CONTROLLER MODE						
SPI Controller Operating Frequency (SPI0, SPI1, SPI2)	f_{MCK}	$f_{\text{SYS_CLK}} = 120\text{MHz}$, $f_{\text{MCK(MAX)}} = f_{\text{SYS_CLK}}/4$			30	MHz
SPI Controller Operating Frequency (SPI3, SPI4)	f_{MCK}	$f_{\text{SYS_CLK}} = 120\text{MHz}$, $f_{\text{MCK(MAX)}} = f_{\text{SYS_CLK}}/2$			60	MHz
SPI Controller SCK Period	t_{MCK}			$1/f_{\text{MCK}}$		ns
SCK Output Pulse-Width High/Low	t_{MCH} , t_{MCL}		$t_{\text{MCK}}/2$			ns
MOSI Output Hold Time After SCK Sample Edge	t_{MOH}		$t_{\text{MCK}}/2$			ns
MOSI Output Valid to Sample Edge	t_{MOV}		$t_{\text{MCK}}/2$			ns
MOSI Output Hold Time After SCK Low Idle	t_{MLH}			$t_{\text{MCK}}/2$		ns
MISO Input Valid to SCK Sample Edge Setup	t_{MIS}			5		ns
MISO Input to SCK Sample Edge Hold	t_{MIH}			$t_{\text{MCK}}/2$		ns
TARGET MODE						
SPI Target Operating Frequency	f_{SCK}				60	MHz
SPI Target SCK Period	t_{SCK}			$1/f_{\text{SCK}}$		ns
SCK Input Pulse-Width High/Low	t_{SCH} , t_{SCL}			$t_{\text{SCK}}/2$		ns
SSx Active to First Shift Edge	t_{SSE}			10		ns
MOSI Input to SCK Sample Edge Rise/Fall Setup	t_{SIS}			5		ns
MOSI Input from SCK Sample Edge Transition Hold	t_{SIH}			1		ns

Electrical Characteristics—SPI (continued)

(All specifications and characteristics apply across the entire operating conditions range unless otherwise noted.)

PARAMETER	SYMBOL	CONDITIONS	MIN	TYP	MAX	UNITS
MISO Output Valid After SCLK Shift Edge Transition	t_{SOV}			5		ns
SCK Inactive to SSx Inactive	t_{SSD}			10		ns
SSx Inactive Time	t_{SSH}			$1/f_{SCK}$		ns
MISO Hold Time After SSx Deassertion	t_{SLH}			10		ns

Electrical Characteristics—HyperBus

(All specifications and characteristics apply across the entire operating conditions range unless otherwise noted.)

PARAMETER	SYMBOL	CONDITIONS	MIN	TYP	MAX	UNITS
HYP_CLK, HYP_CLKN Frequency	f_{HYP_CLK}				60	MHz
HYP_CLK, HYP_CLKN Period	t_{HYP_CLK}		$1/f_{HYP_CLK}$			ns
HYP_CLK, HYP_CLKN High Time	t_{WHCKH}			7		ns
HYP_CLK, HYP_CLKN Low Time	t_{WHCKL}			7		ns
CS Setup to RWDS	t_{CSSU}			6		ns
RWDS Setup to CK	t_{RWDS_CK}			10		ns
Dx Output Setup	t_{OSU}			5		ns
Dx Output Hold	t_{OH}			3		ns
CS Hold after CK Falling Edge	t_{CSH}			5		ns
CS High between Transactions	t_{CHSI}			15		ns
Dx Input Setup to RWDS	t_{ISU}			4		ns
Dx Input Hold	t_{IHD}			2		ns

Electrical Characteristics—1-Wire Controller

(All specifications and characteristics apply across the entire operating conditions range unless otherwise noted.)

PARAMETER	SYMBOL	CONDITIONS	MIN	TYP	MAX	UNITS
Write 0 Low Time	t_{W0L}	Standard		60		μs
		Overdrive		8		
Write 1 Low Time	t_{W1L}	Standard		6		μs
		Standard, Long Line mode		8		
		Overdrive		1		

Electrical Characteristics—1-Wire Controller (continued)

(All specifications and characteristics apply across the entire operating conditions range unless otherwise noted.)

PARAMETER	SYMBOL	CONDITIONS	MIN	TYP	MAX	UNITS
Presence Detect Sample	t_{MSP}	Standard		70		μs
		Standard, Long Line mode		85		
		Overdrive		9		
Read Data Value	t_{MSR}	Standard		15		μs
		Standard, Long Line mode		24		
		Overdrive		3		
Recovery Time	t_{REC0}	Standard		10		μs
		Standard, Long Line mode		20		
		Overdrive		4		
Reset Time High	t_{RSTH}	Standard		480		μs
		Overdrive		58		
Reset Time Low	t_{RSTL}	Standard		600		μs
		Overdrive		70		
Time Slot	t_{SLOT}	Standard		70		μs
		Overdrive		12		

Note 2: P4.0 and P4.1 can only use V_{DDIOH} as I/O supply and cannot use V_{DDIO} as I/O supply.

Note 3: Pins associated with HyperBus (P1.[11:21]) can only use V_{DDIO} as the I/O supply.

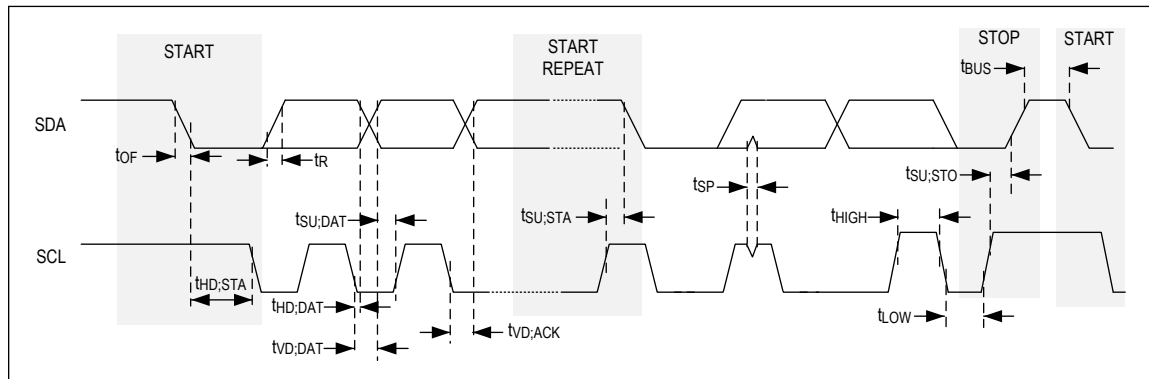


Figure 1. I²C Timing Diagram

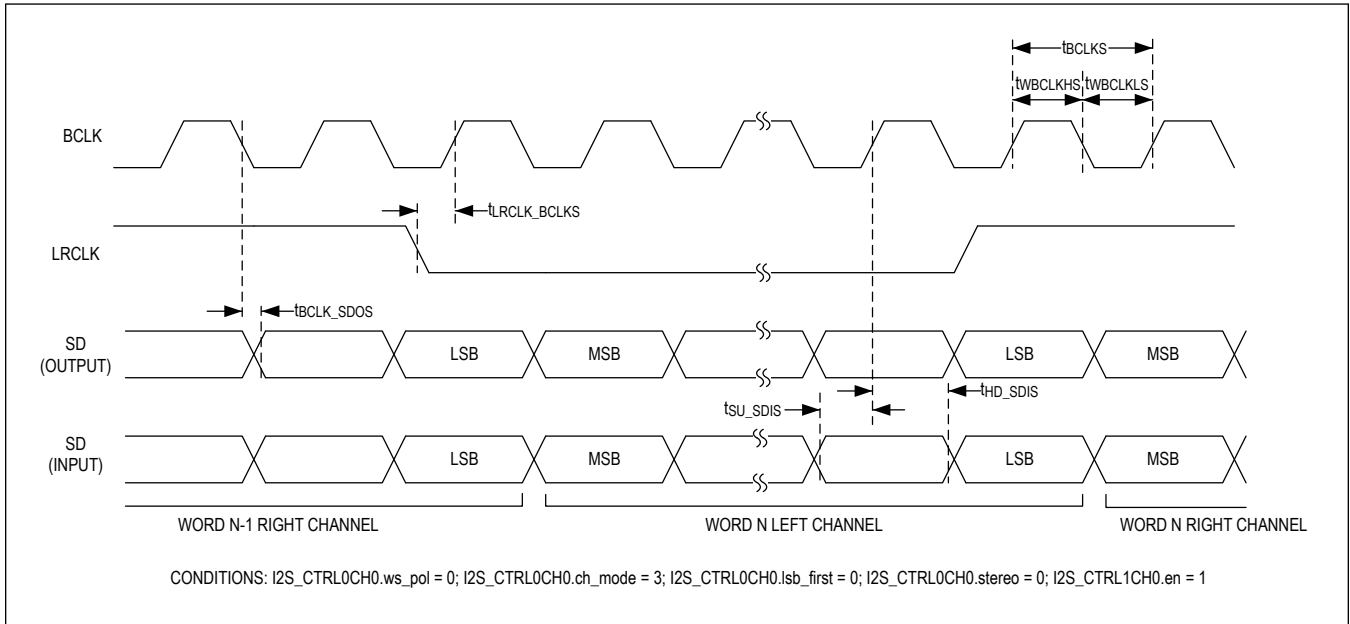


Figure 2. I²S Target Mode Timing Diagram

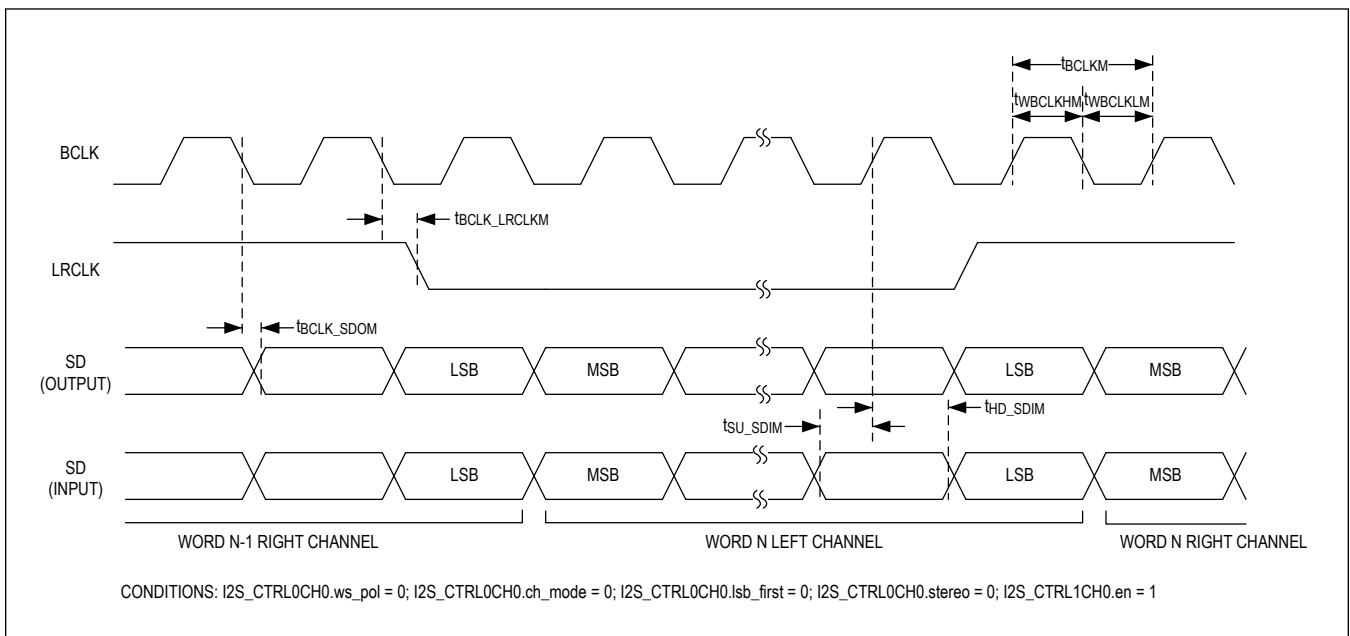


Figure 3. I²S Controller Timing Diagram

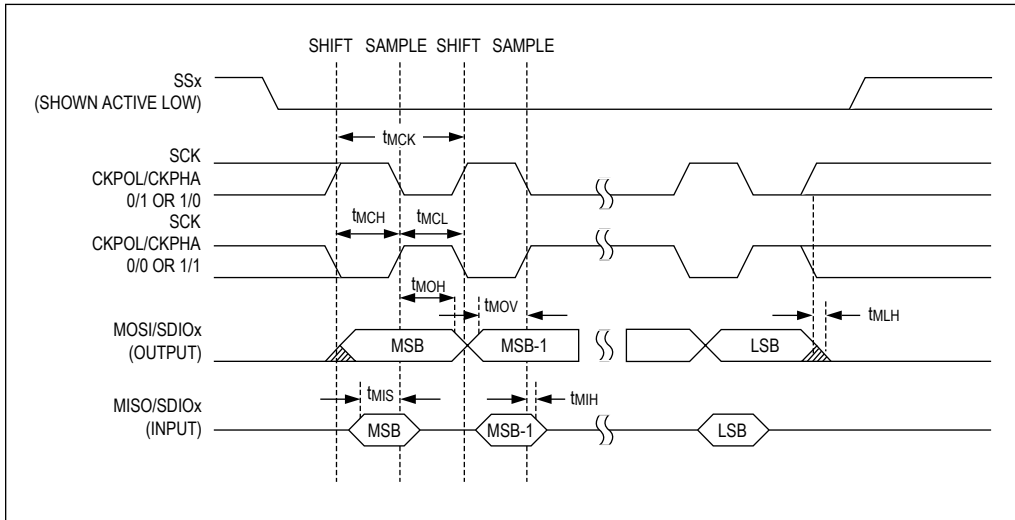


Figure 4. SPI Controller Mode Timing Diagram

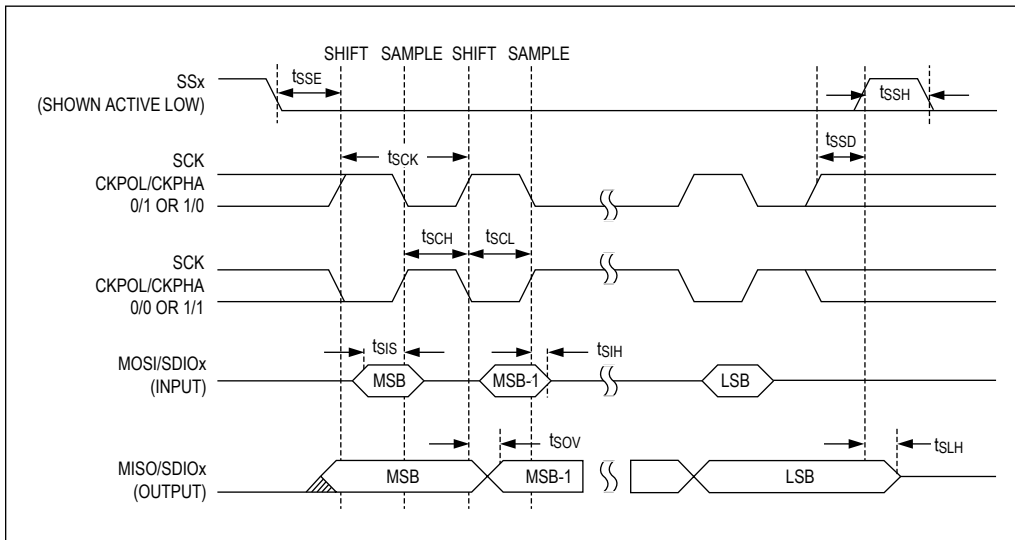


Figure 5. SPI Target Mode Timing Diagram

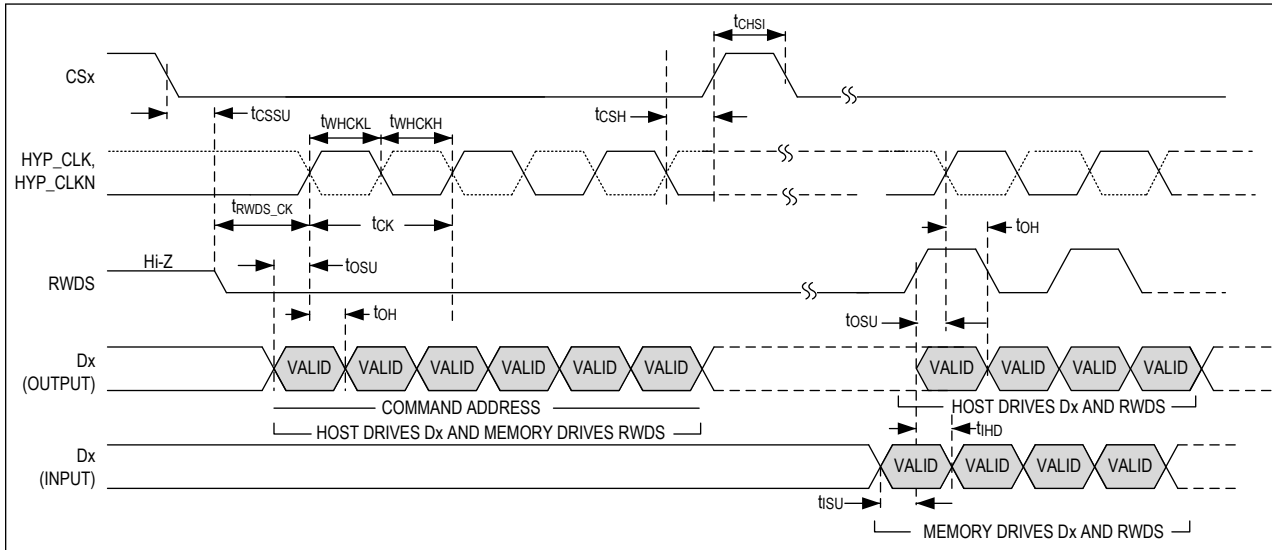


Figure 6. HyperBus/Xccela Bus Timing Diagram

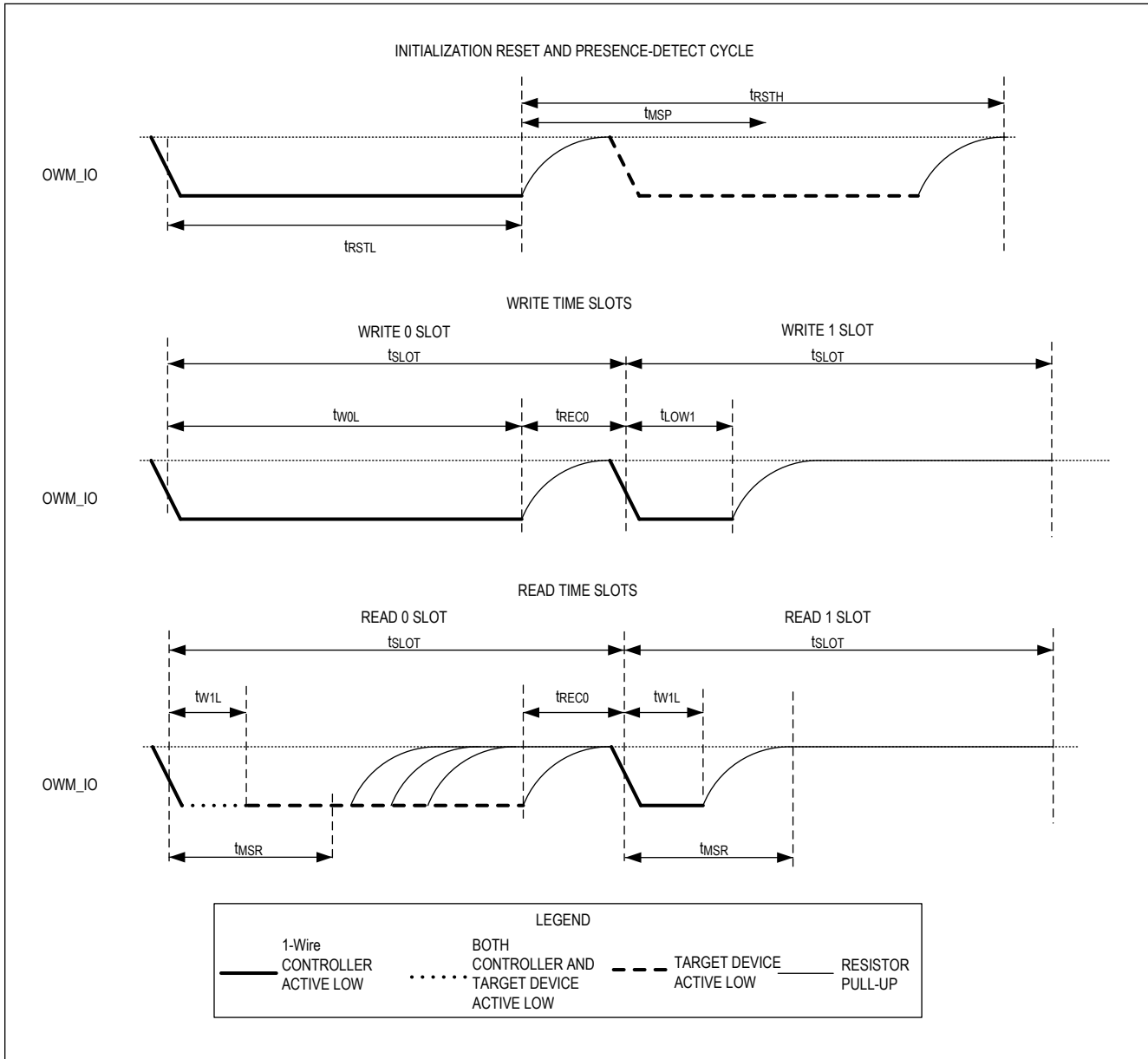
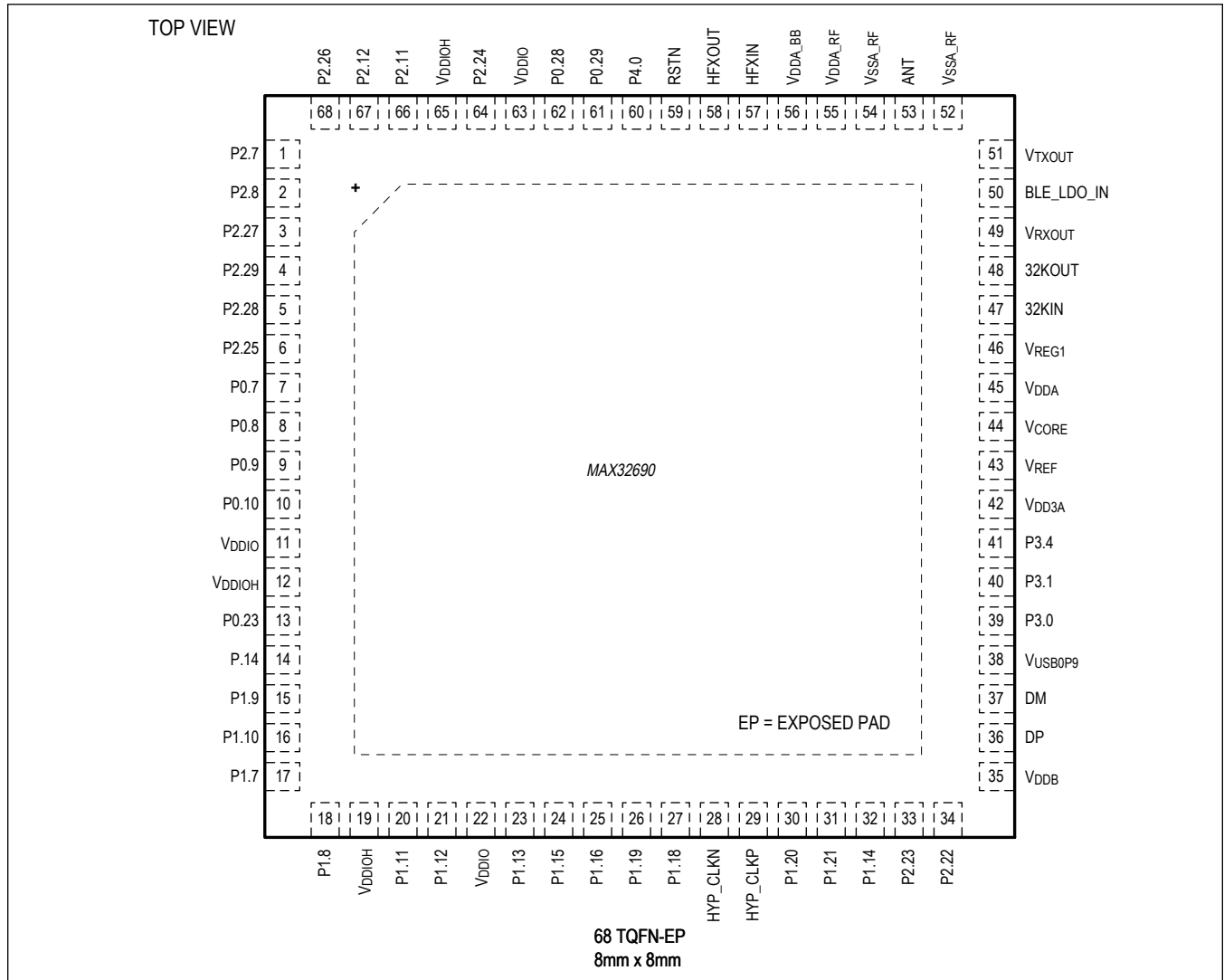


Figure 7. 1-Wire Controller Data Timing Diagram

Pin Configuration

68 TQFN-EP



Pin Description

PIN	NAME	FUNCTION MODE				FUNCTION
		Primary Signal (Default)	Alternate Function 1	Alternate Function 2	Alternate Function 3	
POWER AND SYSTEM PINS (See Bypass Capacitor Recommendations)						
44	V _{CORE}	—	—	—	—	Digital Supply Voltage. Bypass with 1.0µF to V _{SS} . See Power Supply Considerations for additional requirements.

68 TQFN-EP

PIN	NAME	FUNCTION MODE				FUNCTION
		Primary Signal (Default)	Alternate Function 1	Alternate Function 2	Alternate Function 3	
46	V _{REG1}	—	—	—	—	Bypass with 4.7nF to V _{SS} . Do not connect this device pin to any other external circuitry.
11, 22, 63	V _{DDIO}	—	—	—	—	GPIO Supply Voltage. This pin must always be connected to the V _{DDA} device pin. Bypass with 1.0μF to V _{SS} . See Power Supply Considerations for additional requirements.
12, 19, 65	V _{DDIOH}	—	—	—	—	GPIO Supply Voltage, High. V _{DDIOH} ≥ V _{DDIO} . Bypass with 1.0μF to V _{SS} . This pin must be connected to the V _{DD3A} device pin. See Power Supply Considerations for additional requirements.
EP	V _{SS}	—	—	—	—	Digital Ground. Exposed Pad. Refer to Exposed Pads: A Brief Introduction for additional information.
43	V _{REF}	—	—	—	—	ADC External Reference Input. This is the reference input for the analog-to-digital converter (ADC). Bypass with 1.0μF to V _{SS} .
42	V _{DD3A}	—	—	—	—	Analog Supply Voltage. Bypass with 1.0μF to V _{SS} . This pin must be connected to the V _{DDIOH} device pin.
45	V _{DDA}	—	—	—	—	Analog Supply Voltage. Bypass with 1.0μF to V _{SS} . This pin must always be connected to the V _{DDIO} device pin.
50	BLE_LDO_IN	—	—	—	—	LDO Input for Bluetooth and the ERFO. Bypass with 100nF and 1μF to V _{SS} . This pin must be connected to use either Bluetooth or the ERFO. If not using Bluetooth or ERFO, this pin must be tied to V _{SS} through a 1kΩ resistor.
56	V _{DDA_BB}	—	—	—	—	0.9V Analog Power Supply for the Bluetooth Analog Baseband. Bypass with 100nF and 1μF to V _{SS} . If not using Bluetooth or ERFO, this pin must be tied to V _{SS} through a 1kΩ resistor.
55	V _{DDA_RF}	—	—	—	—	0.9V Analog Power Supply for the Bluetooth Radio. Bypass with 100nF and 1μF to V _{SS} . If not using Bluetooth or ERFO, this pin must be tied to V _{SS} through a 1kΩ resistor.
49	V _{RXOUT}	—	—	—	—	Radio Baseband Supply Voltage Output. Bypass with 1.0μF to V _{SS} . This pin must always be connected to the V _{DDA_BB} device pin.

68 TQFN-EP

PIN	NAME	FUNCTION MODE				FUNCTION
		Primary Signal (Default)	Alternate Function 1	Alternate Function 2	Alternate Function 3	
51	V _{TXOUT}	—	—	—	—	Radio RF Supply Voltage Output. Bypass with 1.0µF to V _{SS} . This pin must always be connected to the V _{DDA_RF} device pin.
54, 52	V _{SSA_RF}	—	—	—	—	Bluetooth Radio Ground
35	V _{DDB}	—	—	—	—	USB Transceiver Supply Voltage Input. See USB Design Considerations . If not using USB this pin must be tied to V _{SS} through a 1kΩ resistor.
38	V _{USB0P9}	—	—	—	—	Bypass with 1.0µF to V _{SS} . Do not connect this device pin to any other external circuitry.
59	RSTN	—	—	—	—	Active-Low. External System Reset Input. The device remains in reset while this pin is in its active state. When the pin transitions to its inactive state, the device performs a system reset and begins execution at the first instruction. This pin has an internal pull-up to the V _{DDIO} supply after a POR, but can be switched to V _{DDIOH} by software.
CLOCK PINS						
48	32KOUT	—	—	—	—	32kHz Crystal Oscillator Output. Connect a 32.768kHz crystal between 32KIN and 32KOUT. If a crystal is not used or if 32KIN is unused, do not connect.
47	32KIN	—	—	—	—	32kHz Crystal Oscillator Input. Connect a 32kHz crystal between 32KIN and 32KOUT for RTC operation. Load capacitors are not required. See f _{ERTCO} in the Electrical Characteristics table and RTC Crystal Guidelines for more information. Optionally, this pin can be configured as the input for an external CMOS-level clock source. Alternately, if this pin is unused, connect it to V _{SS} through a 1kΩ resistor.
57	HFXIN	—	—	—	—	ERFO Input. Connect a crystal between HFXIN and HFXOUT. See f _{ERFO} in the Electrical Characteristics table for the crystal requirements. Refer to the MAX32690 User Guide for calculating the load capacitors. During the optional kick-start operation, a series of pulses is output on this device pin to stimulate the crystal. Alternately, if this pin is unused, connect it to V _{SS} through a 10kΩ resistor.

68 TQFN-EP

PIN	NAME	FUNCTION MODE				FUNCTION
		Primary Signal (Default)	Alternate Function 1	Alternate Function 2	Alternate Function 3	
58	HFXOUT	—	—	—	—	ERFO Output. Connect the crystal between HFXIN and HFXOUT. See the Electrical Characteristics table for details of the crystal requirements. Refer to the MAX32690 User Guide for determination of the required external stability capacitors. If a crystal is not used or if HFXIN is unused, do not connect.
28	HYP_CLK _N	—	—	—	—	HyperBus Negative Clock. If HyperBus is not used, this pin should be connected to V _{SS} .
29	HYP_CLKP	—	—	—	—	HyperBus Positive Clock. If HyperBus is not used, this pin should be connected to V _{SS} .
GPIO AND ALTERNATE FUNCTION (See GPIO Considerations)						
7	P0.7	P0.7	OWM_PE	TMR1B_IOA	—	1-Wire Controller Pull-up Enable; Timer1 Port Map B Input/Output 32-Bits or Lower 16-Bits Only
8	P0.8	P0.8	OWM_IO	TMR1B_IOB	—	1-Wire Controller Data; Timer1 Port Map B Input/Output Upper 16-Bits Only
9	P0.9	P0.9	ADC_CLK_E _{XT}	—	TMR0C_IOA _N	ADC External Clock Input; Timer0 Port Map C Input/Output 32-Bits or Lower 16-Bits Only Inverted Output
10	P0.10	P0.10	ADC_TRIG_A	—	TMR0C_IOB _N	ADC Trigger Input; Timer0 Port Map C Input/Output Upper 16-Bits Only Inverted Output
14	P0.14	P0.14	—	TMR0B_IOB	I2C2C_SCL	Timer0 Port Map B Input/Output Upper 16-Bits Only; I2C2 Port Map C Serial Clock
13	P0.23	P0.23/ CLKEXT	PT15	I2S0B_CLKE _{XT}	—	Pulse Train 15; I2S0 Port Map B External Clock Input. This device pin can also be configured as an input to provide a clock source for the SYS_CLK.
62	P0.28	SWDIO	—	—	—	Serial Wire Debug I/O. After reset, this device pin performs as the serial wire debug I/O when selected.
61	P0.29	SWDCLK	—	—	—	Serial Wire Debug Clock. After reset, this device pin performs as the serial wire debug clock when selected.
17	P1.7	P1.7	UART2A_CT _S	PT1	I2C2C_SDA	UART2 Port Map A Clear to Send; Pulse Train 1; I2C2 Port Map C Serial Data
18	P1.8	P1.8	UART2A_RT _S	PT2	I2C2C_SCL	UART2 Port Map A Request to Send; Pulse Train 2; I2C2 Port Map C Serial Clock
15	P1.9	P1.9	UART2A_RX	PT3	—	UART2 Port Map A Receive; Pulse Train 3

68 TQFN-EP

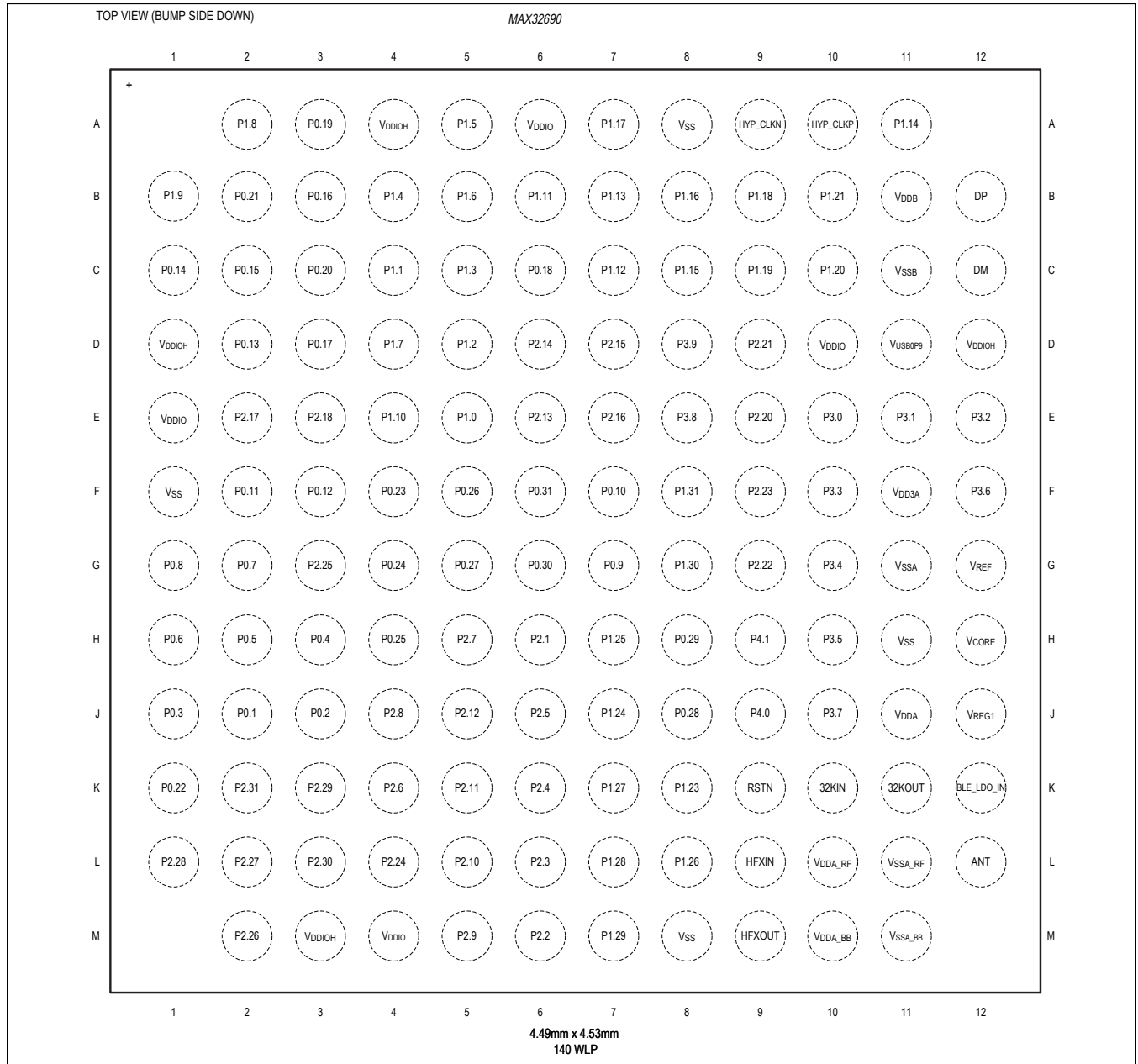
PIN	NAME	FUNCTION MODE				FUNCTION
		Primary Signal (Default)	Alternate Function 1	Alternate Function 2	Alternate Function 3	
16	P1.10	P1.10	UART2A_TX	PT4	—	UART2 Port Map A Transmit; Pulse Train 4
20	P1.11	P1.11	—	—	HYP_CS0N	HyperBus Chip Select 0 Active Low
21	P1.12	P1.12	PT5	—	HYP_D0	Pulse Train 5; HyperBus Data 0
23	P1.13	P1.13	TMR3A_IOA	—	HYP_D4	Timer3 Port Map A Input/Output 32-Bits or Lower 16-Bits; HyperBus Data 4
32	P1.14	P1.14	TMR3A_IOB	—	HYP_RWDS	Timer3 Port Map A Input/Output Upper 16-Bits Only; HyperBus Read/Write Data Strobe
24	P1.15	P1.15	—	—	HYP_D1	HyperBus Data 1
25	P1.16	P1.16	—	—	HYP_D5	HyperBus Data 5
27	P1.18	P1.18	—	PT6	HYP_D6	Pulse Train 6; HyperBus Data 6
26	P1.19	P1.19	—	PT7	HYP_D2	Pulse Train 7; HyperBus Data 2
30	P1.20	P1.20	—	—	HYP_D3	HyperBus Data 3
31	P1.21	P1.21	—	PT8	HYP_D7	Pulse Train 8; HyperBus Data 7
1	P2.7	P2.7	I2C0A_SDA	—	—	I2C0 Port Map A Serial Data
2	P2.8	P2.8	I2C0A_SCL	—	—	I2C0 Port Map A Serial Clock
66	P2.11	P2.11	UART0A_RX	PT13	—	UART0 Port Map A Receive; Pulse Train 13
67	P2.12	P2.12	UART0A_TX	PT15	—	UART0 Port Map A Transmit; Pulse Train 15
34	P2.22	P2.22	PT8	CAN0B_RX	—	Pulse Train 8; Controller Area Network 0 Port Map B Receive Input
33	P2.23	P2.23	PT6	CAN0B_TX	—	Pulse Train 6; Controller Area Network 0 Port Map B Transmit Output
64	P2.24	P2.24	PT10	CAN1B_RX	—	Pulse Train 10; Controller Area Network 1 Port Map B Receive Input
6	P2.25	P2.25	PT11	CAN1B_TX	—	Pulse Train 11; Controller Area Network 1 Port Map B Transmit Output
68	P2.26	P2.26	PT12	SPI0B_SS1	I2S0C_WS	Pulse Train 12; SPI0 Port Map B Target Select 1; I2S0 Port Map C Left/Right Word Select
3	P2.27	P2.27	PT13	SPI0B_MISO	I2S0C_SDI	Pulse Train 13; SPI0 Port Map B Controller In Target Out/Data 1; I2S0 Port Map C Serial Data In
5	P2.28	P2.28	PT14	SPI0B_MOSI	I2S0C_SDO	Pulse Train 14; SPI0 Port Map B Controller Out Target In/Data 0; I2S0 Port Map C Serial Data Out
4	P2.29	P2.29	PT0	SPI0B_SCK	I2S0C_SCK	Pulse Train 0; SPI0 Port Map B Serial Clock; I2S0 Port Map C Serial Clock
39	P3.0	P3.0	AIN0/AIN0N	LPUART0B_RX	—	ADC Input 0/Comparator 0 Negative Input; Low-Power UART0 Port Map B Receive

68 TQFN-EP

PIN	NAME	FUNCTION MODE				FUNCTION
		Primary Signal (Default)	Alternate Function 1	Alternate Function 2	Alternate Function 3	
40	P3.1	P3.1	AIN1/AIN0P	LPUART0B_TX	—	ADC Input 1/Comparator 0 Positive Input; Low-Power UART0 Port Map B Transmit
41	P3.4	P3.4	AIN4/AIN2N	LPTMR0B_IOA	—	ADC Input 4/Comparator 2 Negative Input; Low-Power Timer0 Port Map B Input/Output 32-Bits or Lower 16-Bits
60	P4.0	P4.0/PDOWN	—	—	—	Power-Down Output
USB						
36	DP	—	—	—	—	USB DP Signal. This bidirectional pin carries the positive differential data or single-ended data. This pin is weakly pulled high internally when the USB is disabled. See USB Design Considerations .
37	DM	—	—	—	—	USB DM Signal. This bidirectional pin carries the negative differential data or single-ended data. This pin is weakly pulled high internally when the USB is disabled. See USB Design Considerations .
ANTENNA OUTPUT						
53	ANT	—	—	—	—	Antenna for Bluetooth Radio. Attach the single-ended, unbalanced Bluetooth radio antenna.

Pin Configuration

140 WLP



Pin Description

PIN	NAME	FUNCTION MODE				FUNCTION
		Primary Signal (Default)	Alternate Function 1	Alternate Function 2	Alternate Function 3	
POWER AND SYSTEM PINS (See Bypass Capacitor Recommendations)						
H12	V _{CORE}	—	—	—	—	Digital Supply Voltage. Bypass with 1.0µF to V _{SS} . See Power Supply Considerations for additional requirements.
J12	V _{REG1}	—	—	—	—	Bypass with 4.7nF to V _{SS} . Do not connect this device pin to any other external circuitry.
A6, D10, E1, M4	V _{DDIO}	—	—	—	—	GPIO Supply Voltage. Bypass with 1.0µF to V _{SS} . This pin must always be connected to the V _{DDA} device pin. See Power Supply Considerations for additional requirements.
A4, D1, D12, M3	V _{DDIOH}	—	—	—	—	GPIO Supply Voltage, High. V _{DDIOH} ≥ V _{DDIO} . Bypass with 1.0µF to V _{SS} . This pin must be connected to the V _{DD3A} device pin. See Power Supply Considerations for additional requirements.
A8, F1, H11, M8	V _{SS}	—	—	—	—	Digital Ground
G12	V _{REF}	—	—	—	—	ADC External Reference Input. This is the reference input for the ADC. Bypass with 1.0µF to V _{SS} .
F11	V _{DD3A}	—	—	—	—	Analog Supply Voltage. Bypass with 1.0µF to V _{SSA} . This pin must be connected to the V _{DDIOH} device pin.
J11	V _{DDA}	—	—	—	—	Analog Supply Voltage. Bypass with 1.0µF to V _{SSA} . This pin must always be connected to the V _{DDIO} device pin.
G11	V _{SSA}	—	—	—	—	Analog Ground
K12	BLE_LDO_IN	—	—	—	—	LDO Input for Bluetooth and the ERFO. Bypass with 100nF and 1µF to V _{SS} . This pin must be connected to use either Bluetooth or the ERFO. If not using Bluetooth or the ERFO, this pin must be tied to V _{SS} through a 1kΩ resistor.
M10	V _{DDA_BB}	—	—	—	—	0.9V Analog Power Supply for the Bluetooth Analog Baseband. Bypass with 100nF and 1µF to V _{SS} . If not using Bluetooth or the ERFO, this pin must be tied to V _{SS} through a 1kΩ resistor.
L10	V _{DDA_RF}	—	—	—	—	0.9V Analog Power Supply for the Bluetooth Radio. Bypass with 100nF and 1µF to V _{SS} . If not using Bluetooth or the ERFO, this pin must be tied to V _{SS} through a 1kΩ resistor.

140 WLP

PIN	NAME	FUNCTION MODE				FUNCTION
		Primary Signal (Default)	Alternate Function 1	Alternate Function 2	Alternate Function 3	
—	V _{RXOUT}	—	—	—	—	Radio Baseband Supply Voltage Output. This signal is internally connected to V _{DDA_BB} .
—	V _{TXOUT}	—	—	—	—	Radio RF Supply Voltage Output. This signal is internally connected to the V _{DDA_RF} device pin.
M11	V _{SSA_BB}	—	—	—	—	Bluetooth Baseband Ground
L11	V _{SSA_RF}	—	—	—	—	Bluetooth Radio Ground
B11	V _{DDB}	—	—	—	—	USB Transceiver Supply Voltage. Bypass with 1.0μF to V _{SSB} . See USB Design Considerations . If not using USB, this pin must be tied to V _{SS} through a 1kΩ resistor.
D11	V _{USB0P9}	—	—	—	—	Bypass with 1.0μF to V _{SSB} . Do not connect this device pin to any other external circuitry.
C11	V _{SSB}	—	—	—	—	USB Transceiver Ground. Connect to V _{SS} .
K9	RSTN	—	—	—	—	Active-Low. External System Reset Input. The device remains in reset while this pin is in its active state. When the pin transitions to its inactive state, the device performs a system reset and begins execution at the first instruction. This pin has an internal pull-up to the V _{DDIO} supply after a POR, but can be switched to V _{DDIOH} by software.
CLOCK PINS						
K11	32KOUT	—	—	—	—	32kHz Crystal Oscillator Output. Connect a 32.768kHz crystal between 32KIN and 32KOUT. If a crystal is not used or if 32KIN is unused, do not connect.
K10	32KIN	—	—	—	—	32kHz Crystal Oscillator Input. Connect a 32kHz crystal between 32KIN and 32KOUT for RTC operation. Load capacitors are not required. See f _{ERTCO} in the Electrical Characteristics table and RTC Crystal Guidelines for more information. Optionally, this pin can be configured as the input for an external CMOS-level clock source. Alternately, if this pin is unused, connect it to V _{SS} through a 1kΩ resistor.

140 WLP

PIN	NAME	FUNCTION MODE				FUNCTION
		Primary Signal (Default)	Alternate Function 1	Alternate Function 2	Alternate Function 3	
L9	HFXIN	—	—	—	—	ERFO Input. Connect a crystal between HFXIN and HFXOUT. See f_{ERFO} in the Electrical Characteristics table for the crystal requirements. Refer to the MAX32690 User Guide for calculating the load capacitors. During the optional kick-start operation, a series of pulses is output on this device pin to stimulate the crystal. Alternately, if this pin is unused, connect it to V_{SS} through a 10k Ω resistor.
M9	HFXOUT	—	—	—	—	ERFO Output. Connect the crystal between HFXIN and HFXOUT. See the Electrical Characteristics table for details of the crystal requirements. Refer to the MAX32690 User Guide for determination of the required external stability capacitors. If a crystal is not used or if HFXIN is unused, do not connect.
A10	HYP_CLKP	—	—	—	—	HyperBus Positive Clock. If HyperBus is not used, this pin should be connected to V_{SS} .
A9	HYP_CLK _N	—	—	—	—	HyperBus Negative Clock. If HyperBus is not used, this pin should be connected to V_{SS} .
GPIO AND ALTERNATE FUNCTION (See GPIO Considerations)						
J2	P0.1	P0.1	SPIXR_SDIO ₀	SPIXF_SDIO ₀	UART2C_TX	SPI External RAM Data 0; SPI External Flash Data 0; UART2 Port Map C Transmit
J3	P0.2	P0.2	SPIXR_SDIO ₂	SPIXF_SDIO ₂	UART2C_CTS	SPI External RAM Data 2; SPI External Flash Data 2; UART2 Port Map C Clear to Send
J1	P0.3	P0.3	SPIXR_SCK	SPIXF_SCK	UART2C_RTS	SPI External RAM Serial Clock; SPI External Flash Serial Clock; UART2 Port Map C Request to Send
H3	P0.4	P0.4	SPIXR_SDIO ₃	SPIXF_SDIO ₃	TMR0C_IOA	SPI External RAM Data 3; SPI External Flash Data 3; Timer0 Port Map C Input/Output 32-Bits or Lower 16-Bits
H2	P0.5	P0.5	SPIXR_SDIO ₁	SPIXF_SDIO ₁	TMR2C_IOB	SPI External RAM Data 1; SPI External Flash Data 1; Timer2 Port Map C Input/Output Upper 16-Bits Only
H1	P0.6	P0.6	SPIXR_SS0	SPIXF_SS0	UART2C_RX	SPI External RAM Target Select 0; SPI External Flash Target Select 0; UART2 Port Map C Receive
G2	P0.7	P0.7	OWM_PE	TMR1B_IOA	—	1-Wire Controller Pull-up Enable; Timer1 Port Map B Input/Output 32-Bits or Lower 16-Bits Only

140 WLP

PIN	NAME	FUNCTION MODE				FUNCTION
		Primary Signal (Default)	Alternate Function 1	Alternate Function 2	Alternate Function 3	
G1	P0.8	P0.8	OWM_IO	TMR1B_IOB	—	1-Wire Controller Data; Timer1 Port Map B Input/Output Upper 16-Bits Only
G7	P0.9	P0.9	ADC_CLK_EXT	—	TMR0C_IOA_N	ADC External Clock Input; Timer0 Port Map C Input/Output 32-Bits or Lower 16-Bits Only Inverted Output
F7	P0.10	P0.10	ADC_TRIG_A	—	TMR0C_IOB_N	ADC Trigger Input; Timer0 Port Map C Input/Output Upper 16-Bits Only Inverted Output
F2	P0.11	P0.11	I2C1A_SDA	—	TMR1C_IOA_N	I2C1 Port Map A Serial Data; Timer1 Port Map C Input/Output 32-Bits or Lower 16-Bits Only Inverted Output
F3	P0.12	P0.12	I2C1A_SCL	—	TMR1C_IOB_N	I2C1 Port Map A Serial Clock; Timer1 Port Map C Input/Output Upper 16-Bits Only Inverted Output
D2	P0.13	P0.13	SPI3A_SS1	TMR0B_IOA	I2C2C_SDA	SPI3 Port Map A Target Select 1; Timer0 Port Map B Input/Output 32-Bits or Lower 16-Bits Only; I2C2 Port Map C Serial Data
C1	P0.14	P0.14	SPI3A_SS2	TMR0B_IOB	I2C2C_SCL	SPI3 Port Map A Target Select 2; Timer0 Port Map B Input/Output Upper 16-Bits Only; I2C2 Port Map C Serial Clock
C2	P0.15	P0.15	SPI3A_SDIO_3	—	TMR1C_IOA	SPI3 Port Map A Data 3; Timer1 Port Map C Input/Output 32 Bits or Lower 16 Bits Only
B3	P0.16	P0.16	SPI3A_SCK	—	—	SPI3 Port Map A Serial Clock
D3	P0.17	P0.17	SPI3A_SDIO_2	—	TMR1C_IOB	SPI3 Port Map A Data 2; Timer1 Port Map C Input/Output Upper 16 Bits Only
C6	P0.18	P0.18	—	—	—	
A3	P0.19	P0.19	SPI3A_SS0	RV_TCK	—	SPI3 Port Map A Target Select 0; RV32 JTAG Tap Controller Clock Input
C3	P0.20	P0.20	SPI3A_MISO	RV_TMS	—	SPI3 Port Map A Controller In Target Out/ Data 1; RV32 JTAG Tap Controller Mode Select
B2	P0.21	P0.21	SPI3A_MOSI	RV_TDI	—	SPI3 Port Map A Controller Out Target In/ Data 0; RV32 JTAG Tap Controller Data In
K1	P0.22	P0.22	SPI0A_SS0	RV_TDO	—	SPI0 Port Map A Target Select 0; RV32 JTAG Tap Controller Data Out
F4	P0.23	P0.23/ CLKEXT	PT15	I2S0B_CLKEXT	—	Pulse Train 15; I2S0 Port Map B External Clock Input. This device pin can also be configured as an input to provide a clock source for the SYS_CLK.
G4	P0.24	P0.24	RXEVO	I2S0B_SCK	—	CM4 Rx Event Output; I2S0 Port Map B Serial Clock
H4	P0.25	P0.25	TXEVO	I2S0B_SDI	—	CM4 Tx Event Output; I2S0 Port Map B Serial Data Input
F5	P0.26	P0.26	—	I2S0B_SDO	—	I2S0 Port Map B Serial Data Output

140 WLP

PIN	NAME	FUNCTION MODE				FUNCTION
		Primary Signal (Default)	Alternate Function 1	Alternate Function 2	Alternate Function 3	
G5	P0.27	P0.27/ USBCLKEXT	ERFO_CLK_OUT	I2S0B_WS	—	USB External Clock Input; ERFO Output; I2S0 Port Map B Left/Right Clock
J8	P0.28	SWDIO	—	—	—	Serial Wire Debug I/O. After reset, this device pin performs as the serial wire debug I/O.
H8	P0.29	SWDCLK	—	—	—	Serial Wire Debug Clock. After reset, this device pin performs as the serial wire debug clock.
G6	P0.30	P0.30	I2C0A_SDA	—	—	I2C0 Port Map A Serial Data
F6	P0.31	P0.31	I2C0A_SCL	—	—	I2C0 Port Map A Serial Clock
E5	P1.0	P1.0	SPI4A_SS0	ADC_TRIG_B	—	SPI4 Port Map A Target Select 0; ADC Trigger B
C4	P1.1	P1.1	SPI4A_MOSI	—	—	SPI4 Port Map A Controller Out Target In/SDIO0
D5	P1.2	P1.2	SPI4A_MISO	—	—	SPI4 Port Map A Controller In Target Out/SDIO1
C5	P1.3	P1.3	SPI4A_SCK	—	—	SPI4 Port Map A Serial Clock
B4	P1.4	P1.4	SPI4A_SDIO ₂	TMR2B_IOA	—	SPI4 Port Map A Data 2; Timer2 Port Map B Input/Output 32-Bits or Lower 16-Bits Only
A5	P1.5	P1.5	SPI4A_SDIO ₃	TMR2B_IOB	—	SPI4 Port Map A Data 3; Timer2 Port Map B Input/Output Upper 16 Bits Only
B5	P1.6	P1.6	SPI4A_SS1	PT0	—	SPI4 Port Map A Target Select 1; Pulse Train 0
D4	P1.7	P1.7	UART2A_CTS	PT1	I2C2C_SDA	UART2 Port Map A Clear to Send; Pulse Train 1; I2C2 Port Map C Serial Data
A2	P1.8	P1.8	UART2A_RTS	PT2	I2C2C_SCL	UART2 Port Map A Request to Send; Pulse Train 2; I2C2 Port Map C Serial Clock
B1	P1.9	P1.9	UART2A_RX	PT3	—	UART2 Port Map A Receive; Pulse Train 3
E4	P1.10	P1.10	UART2A_TX	PT4	—	UART2 Port Map A Transmit; Pulse Train 4
B6	P1.11	P1.11	SPI4A_SS2	—	HYP_CS0N	SPI4 Port Map A Target Select 2; HyperBus Chip Select 0 Active Low
C7	P1.12	P1.12	PT5	—	HYP_D0	Pulse Train 5; HyperBus Data 0
B7	P1.13	P1.13	TMR3A_IOA	—	HYP_D4	Timer 3 Port Map A Input/Output 32-Bits or Lower 16-Bits; HyperBus Data 4
A11	P1.14	P1.14	TMR3A_IOB	—	HYP_RWDS	Timer 3 Port Map A Input/Output Upper 16-Bits Only; HyperBus Read/Write Data Strobe
C8	P1.15	P1.15	—	—	HYP_D1	HyperBus Data 1
B8	P1.16	P1.16	—	—	HYP_D5	HyperBus Data 5

140 WLP

PIN	NAME	FUNCTION MODE				FUNCTION
		Primary Signal (Default)	Alternate Function 1	Alternate Function 2	Alternate Function 3	
A7	P1.17	P1.17	PT9	—	HYP_CS1N	Pulse Train 9; HyperBus Chip Select 1 Active Low
B9	P1.18	P1.18	—	PT6	HYP_D6	Pulse Train 6; HyperBus Data 6
C9	P1.19	P1.19	—	PT7	HYP_D2	Pulse Train 7; HyperBus Data 2
C10	P1.20	P1.20	—	—	HYP_D3	HyperBus Data 3
B10	P1.21	P1.21	—	PT8	HYP_D7	Pulse Train 8; HyperBus Data 7
K8	P1.23	P1.23	SPI1A_SS0	—	—	SPI1 Port Map A Target Select 0
J7	P1.24	P1.24	SPI1A_SS2	CAN0B_RX	—	SPI1A Port Map A Target Select 2; Controller Area Network 0 Port Map B Receive Input
H7	P1.25	P1.25	SPI1A_SS1	CAN0B_TX	—	SPI1 Port Map A Target Select 1; Controller Area Network 0 Port Map B Transmit Output
L8	P1.26	P1.26	SPI1A_SCK	—	—	SPI1 Port Map A Serial Clock
K7	P1.27	P1.27	SPI2A_SS2	—	—	SPI2 Port Map A Target Select 2
L7	P1.28	P1.28	SPI1A_MISO	CAN1B_RX	—	SPI1 Port Map A Controller In Target Out/SDIO1; Controller Area Network 1 Port Map B Receive Input
M7	P1.29	P1.29	SPI1A_MOSI	CAN1B_TX	—	SPI1 Port Map A Controller Out Target In/SDIO0; Controller Area Network 1 Port Map B Transmit Output
G8	P1.30	P1.30	OWM_PE	SPI1B_SDIO ₂	—	1-Wire Controller Pull-up Enable; SPI1 Port Map B Data 2
F8	P1.31	P1.31	OWM_IO	SPI1B_SDIO ₃	—	1-Wire Controller Data I/O; SPI1 Port Map B Data 3
H6	P2.1	P2.1	SPI2A_SS1	PT10	—	SPI2 Port Map A Target Select 1; Pulse Train 10
M6	P2.2	P2.2	SPI2A_SCK	—	—	SPI2 Port Map A Serial Clock
L6	P2.3	P2.3	SPI2A_MISO	—	—	SPI2 Port Map A Controller In Target Out/Data 1
K6	P2.4	P2.4	SPI2A_MOSI	—	—	SPI12 Port Map A Controller Out Target In/Data 0
J6	P2.5	P2.5	SPI2A_SS0	PT11	—	SPI2 Port Map A Target Select 0; Pulse Train 11
K4	P2.6	P2.6	—	SPI2B_SDIO ₂	—	SPI2 Port Map B Data 2
H5	P2.7	P2.7	I2C0A_SDA	SPI2B_SDIO ₃	—	I2C0 Port Map A Serial Data; SPI2 Port Map B Data 3
J4	P2.8	P2.8	I2C0A_SCL	—	—	I2C0 Port Map A Serial Clock
M5	P2.9	P2.9	UART0A_CTS	PT12	—	UART0 Port Map A Clear to Send; Pulse Train 12
L5	P2.10	P2.10	UART0A_RTS	PT14	—	UART0 Port Map A Request to Send; Pulse Train 14

140 WLP

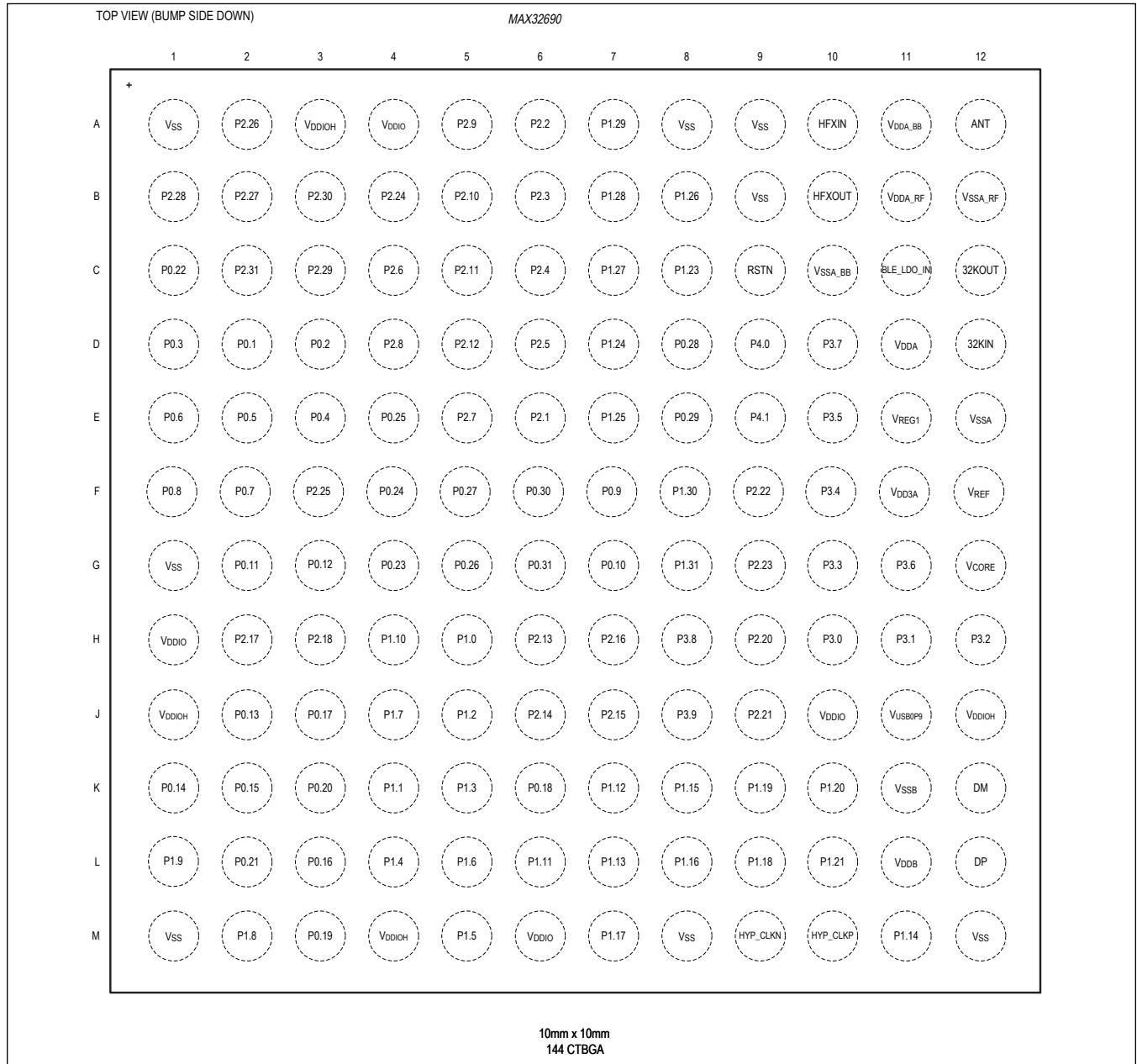
PIN	NAME	FUNCTION MODE				FUNCTION
		Primary Signal (Default)	Alternate Function 1	Alternate Function 2	Alternate Function 3	
K5	P2.11	P2.11	UART0A_RX	PT13	—	UART0 Port Map A Receive; Pulse Train 13
J5	P2.12	P2.12	UART0A_TX	PT15	—	UART0 Port Map A Transmit; Pulse Train 15
E6	P2.13	P2.13	UART1A_CTS	—	—	UART1 Port Map A Clear to Send
D6	P2.14	P2.14	UART1A_RX	—	—	UART1 Port Map A Receive
D7	P2.15	P2.15	UART1A_RTS	ADC_HW_TRIGGER_C	—	UART1 Port Map A Request to Send; ADC Hardware Trigger Input C
E7	P2.16	P2.16	UART1A_TX	—	—	UART1 Port Map A Transmit
E2	P2.17	P2.17	I2C1A_SDA	BLE_ANT_CTRL1	—	I2C1 Port Map A Serial Data; Bluetooth Antenna Control Line 1
E3	P2.18	P2.18	I2C1A_SCL	BLE_ANT_CTRL0	—	I2C1 Port Map A Serial Clock; Bluetooth Antenna Control Line 0
E9	P2.20	P2.20	PT5	BLE_ANT_CTRL2	TMR2C_IOA	Pulse Train 5; Bluetooth Antenna Control Line 2; Timer2 Port Map C Input/Output 32-Bits or Lower 16-Bits
D9	P2.21	P2.21	PT7	BLE_ANT_CTRL3	TMR2C_IOB	Pulse Train 7; Bluetooth Antenna Control Line 3; Timer2 Port Map C Input/Output Upper 16-Bits
G9	P2.22	P2.22	PT8	CAN0B_RX	—	Pulse Train 8; Controller Area Network 0 Port Map B Receive Input
F9	P2.23	P2.23	PT6	CAN0B_TX	—	Pulse Train 6; Controller Area Network 0 Port Map B Transmit Output
L4	P2.24	P2.24	PT10	CAN1B_RX	—	Pulse Train 10; Controller Area Network 1 Port Map B Receive Input
G3	P2.25	P2.25	PT11	CAN1B_TX	—	Pulse Train 11; Controller Area Network 1 Port Map B Transmit Output
M2	P2.26	P2.26	PT12	SPI0B_SS1	I2S0C_WS	Pulse Train 12; SPI0 Port Map B Target Select 1; I2S0 Port Map C Left/Right Word Select
L2	P2.27	P2.27	PT13	SPI0B_MISO	I2S0C_SDI	Pulse Train 13; SPI0 Port Map B Controller In Target Out/Data 1; I2S0 Port Map C Serial Data In
L1	P2.28	P2.28	PT14	SPI0B_MOSI	I2S0C_SDO	Pulse Train 14; SPI0 Port Map B Controller Out Target In/Data 0; I2S0 Port Map C Serial Data Out
K3	P2.29	P2.29	PT0	SPI0B_SCK	I2S0C_SCK	Pulse Train 0; SPI0 Port Map B Serial Clock; I2S0 Port Map C Serial Clock
L3	P2.30	P2.30	PT1	SPI0B_SDIO ₂	TMR3C_IOA	Pulse Train 1; SPI0 Port Map B Data 2; Timer 3 Port Map C Input/Output 32-Bits or Lower 16-Bits
K2	P2.31	P2.31	PT2	SPI0B_SDIO ₃	TMR3C_IOB	Pulse Train 2; SPI0 Port Map B Data 3; Timer 3 Port Map C Input/Output Upper 16-Bits Only

140 WLP

PIN	NAME	FUNCTION MODE				FUNCTION
		Primary Signal (Default)	Alternate Function 1	Alternate Function 2	Alternate Function 3	
E10	P3.0	P3.0	AIN0/AIN0N	LPUART0B_RX	—	ADC Input 0/Comparator 0 Negative Input; Low-Power UART0 Port Map B Receive
E11	P3.1	P3.1	AIN1/AIN0P	LPUART0B_TX	—	ADC Input 1/Comparator 0 Positive Input; Low-Power UART0 Port Map B Transmit
E12	P3.2	P3.2	AIN2/AIN1N	LPUART0B_CTS	—	ADC Input 2/Comparator 1 Negative Input; Low-Power UART0 Port Map B Clear to Send
F10	P3.3	P3.3	AIN3/AIN1P	LPUART0B_RTS	—	ADC Input 3/Comparator 1 Positive Input; Low-Power UART0 Port Map B Request to Send
G10	P3.4	P3.4	AIN4/AIN2N	LPTMR0B_IOA	—	ADC Input 4/Comparator 2 Negative Input; Low-Power Timer0 Port Map B Input/Output 32-Bits or Lower 16-Bits
H10	P3.5	P3.5/ LPTMR0_CLK	AIN5/AIN2P	—	—	ADC Input 5/Comparator 2 Positive Input; LPTMR0 External Clock
F12	P3.6	P3.6/ LPTMR1_CLK	AIN6/AIN3N	—	—	ADC Input 6/Comparator 3 Negative Input; TLPTMR1 External Clock
J10	P3.7	P3.7	AIN7/AIN3P	LPTMR1B_IOA	—	ADC Input 7/Comparator 3 Positive Input; Low-Power Timer1 Port Map B Input/Output 32-Bits or Lower 16-Bits Only Inverted Output
E8	P3.8	P3.8	—	—	—	
D8	P3.9	P3.9	—	—	—	
J9	P4.0	P4.0/PDOWN	—	—	—	Power-Down Output
H9	P4.1	P4.1/ SQWOUT	—	—	—	Square-Wave Output
USB						
B12	DP	—	—	—	—	USB DP Signal. This bidirectional pin carries the positive differential data or single-ended data. This pin is weakly pulled high internally when the USB is disabled. See the USB Design Considerations section.
C12	DM	—	—	—	—	USB DM Signal. This bidirectional pin carries the negative differential data or single-ended data. This pin is weakly pulled high internally when the USB is disabled. See the USB Design Considerations section.
ANTENNA OUTPUT						
L12	ANT	—	—	—	—	Antenna for Bluetooth Radio. Attach the single-ended, unbalanced Bluetooth radio antenna.

Pin Configuration

144 CTBGA



Pin Description

PIN	NAME	FUNCTION MODE				FUNCTION
		Primary Signal (Default)	Alternate Function 1	Alternate Function 2	Alternate Function 3	
POWER AND SYSTEM PINS (See Bypass Capacitor Recommendations)						
G12	V _{CORE}	—	—	—	—	Digital Supply Voltage. Bypass with 1.0μF to V _{SS} . See Power Supply Considerations for additional requirements.
E11	V _{REG1}	—	—	—	—	Bypass with 4.7nF to V _{SS} . Do not connect this device pin to any other external circuitry.
A4, H1, J10, M6	V _{DDIO}	—	—	—	—	GPIO Supply Voltage. Bypass with 1.0μF to V _{SS} . This pin must always be connected to the V _{DDA} device pin. See Power Supply Considerations for additional requirements.
A3, J1, J12, M4	V _{DDIOH}	—	—	—	—	GPIO Supply Voltage, High. V _{DDIOH} ≥ V _{DDIO} . Bypass with 1.0μF to V _{SS} . This pin must be connected to the V _{DD3A} device pin. See Power Supply Considerations for additional requirements.
A1, A8, A9, B9, G1, M1, M8, M12	V _{SS}	—	—	—	—	Digital Ground
F12	V _{REF}	—	—	—	—	ADC External Reference Input. This is the reference input for the ADC. Bypass with 1.0μF to V _{SS} .
F11	V _{DD3A}	—	—	—	—	Analog Supply Voltage. Bypass with 1.0μF to V _{SSA} . This pin must be connected to the V _{DDIOH} device pin.
D11	V _{DDA}	—	—	—	—	Analog Supply Voltage. Bypass with 1.0μF to V _{SSA} . This pin must always be connected to the V _{DDIO} device pin.
E12	V _{SSA}	—	—	—	—	Analog Ground
C11	BLE_LDO_IN	—	—	—	—	LDO Input for Bluetooth and the ERFO. Bypass with 100nF and 1μF to V _{SS} . This pin must be connected to use either Bluetooth or the ERFO. If not using Bluetooth or the ERFO, this pin must be tied to V _{SS} through a 1kΩ resistor.
A11	V _{DDA_BB}	—	—	—	—	0.9V Analog Power Supply for the Bluetooth Analog Baseband. Bypass with 100nF and 1μF to V _{SS} . If not using Bluetooth or the ERFO, this pin must be tied to V _{SS} through a 1kΩ resistor.

144 CTBGA

PIN	NAME	FUNCTION MODE				FUNCTION
		Primary Signal (Default)	Alternate Function 1	Alternate Function 2	Alternate Function 3	
B11	V _{DDA_RF}	—	—	—	—	0.9V Analog Power Supply for the Bluetooth Radio. Bypass with 100nF and 1μF to V _{SS} . If not using Bluetooth or the ERFO, this pin must be tied to V _{SS} through a 1kΩ resistor.
—	V _{RXOUT}	—	—	—	—	Radio Baseband Supply Voltage Output. This signal is internally connected to V _{DDA_BB} .
—	V _{TXOUT}	—	—	—	—	Radio RF Supply Voltage Output. This signal is internally connected to the V _{DDA_RF} device pin.
C10	V _{SSA_BB}	—	—	—	—	Bluetooth Baseband Ground
B12	V _{SSA_RF}	—	—	—	—	Bluetooth Radio Ground
L11	V _{DDB}	—	—	—	—	USB Transceiver Supply Voltage. Bypass with 1.0μF to V _{SSB} . See USB Design Considerations . If not using USB, this pin must be tied to V _{SS} through a 1kΩ resistor.
J11	V _{USB0P9}	—	—	—	—	Bypass with 1.0μF to V _{SSB} . Do not connect this device pin to any other external circuitry.
K11	V _{SSB}	—	—	—	—	USB Transceiver Ground. Connect to V _{SS} .
C9	RSTN	—	—	—	—	Active-Low. External System Reset Input. The device remains in reset while this pin is in its active state. When the pin transitions to its inactive state, the device performs a system reset and begins execution at the first instruction. This pin has an internal pull-up to the V _{DDIO} supply after a POR, but can be switched to V _{DDIOH} by software.
CLOCK PINS						
C12	32KOUT	—	—	—	—	32kHz Crystal Oscillator Output. Connect a 32.768kHz crystal between 32KIN and 32KOUT. If a crystal is not used or if 32KIN is unused, do not connect.
D12	32KIN	—	—	—	—	32kHz Crystal Oscillator Input. Connect a 32kHz crystal between 32KIN and 32KOUT for RTC operation. Load capacitors are not required. See f _{ERTCO} in the Electrical Characteristics table and RTC Crystal Guidelines for more information. Optionally, this pin can be configured as the input for an external CMOS-level clock source. Alternately, if this pin is unused, connect it to V _{SS} through a 1kΩ resistor.

144 CTBGA

PIN	NAME	FUNCTION MODE				FUNCTION
		Primary Signal (Default)	Alternate Function 1	Alternate Function 2	Alternate Function 3	
A10	HFXIN	—	—	—	—	ERFO Input. Connect a crystal between HFXIN and HFXOUT. See f_{ERFO} in the Electrical Characteristics table for the crystal requirements. Refer to the MAX32690 User Guide for calculating the load capacitors. During the optional kick-start operation, a series of pulses is output on this device pin to stimulate the crystal. Alternately, if this pin is unused, connect it to V_{SS} through a 10k Ω resistor.
B10	HFXOUT	—	—	—	—	ERFO Output. Connect the crystal between HFXIN and HFXOUT. See the Electrical Characteristics table for details of the crystal requirements. Refer to the MAX32690 User Guide for determination of the required external stability capacitors. If a crystal is not used or if HFXIN is unused, do not connect.
M10	HYP_CLKP	—	—	—	—	HyperBus Positive Clock. If HyperBus is not used, this pin should be connected to V_{SS} .
M9	HYP_CLK _N	—	—	—	—	HyperBus Negative Clock. If HyperBus is not used, this pin should be connected to V_{SS} .
GPIO AND ALTERNATE FUNCTION (See GPIO Considerations)						
D2	P0.1	P0.1	SPIXR_SDIO ₀	SPIXF_SDIO ₀	UART2C_TX	SPI External RAM Data 0; SPI External Flash Data 0; UART2 Port Map C Transmit
D3	P0.2	P0.2	SPIXR_SDIO ₂	SPIXF_SDIO ₂	UART2C_CTS	SPI External RAM Data 2; SPI External Flash Data 2; UART2 Port Map C Clear to Send
D1	P0.3	P0.3	SPIXR_SCK	SPIXF_SCK	UART2C_RTS	SPI External RAM Serial Clock; SPI External Flash Serial Clock; UART2 Port Map C Request to Send
E3	P0.4	P0.4	SPIXR_SDIO ₃	SPIXF_SDIO ₃	TMR0C_IOA	SPI External RAM Data 3; SPI External Flash Data 3; Timer0 Port Map C Input/Output 32-Bits or Lower 16-Bits
E2	P0.5	P0.5	SPIXR_SDIO ₁	SPIXF_SDIO ₁	TMR2C_IOB	SPI External RAM Data 1; SPI External Flash Data 1; Timer2 Port Map C Input/Output Upper 16-Bits Only
E1	P0.6	P0.6	SPIXR_SS0	SPIXF_SS0	UART2C_RX	SPI External RAM Target Select 0; SPI External Flash Target Select 0; UART2 Port Map C Receive
F2	P0.7	P0.7	OWM_PE	TMR1B_IOA	—	1-Wire Controller Pull-up Enable; Timer1 Port Map B Input/Output 32-Bits or Lower 16-Bits Only

144 CTBGA

PIN	NAME	FUNCTION MODE				FUNCTION
		Primary Signal (Default)	Alternate Function 1	Alternate Function 2	Alternate Function 3	
F1	P0.8	P0.8	OWM_IO	TMR1B_IOB	—	1-Wire Controller Data; Timer1 Port Map B Input/Output Upper 16-Bits Only
F7	P0.9	P0.9	ADC_CLK_EXT	—	TMR0C_IOA_N	ADC External Clock Input; Timer0 Port Map C Input/Output 32-Bits or Lower 16-Bits Only Inverted Output
G7	P0.10	P0.10	ADC_TRIG_A	—	TMR0C_IOB_N	ADC Trigger Input; Timer0 Port Map C Input/Output Upper 16-Bits Only Inverted Output
G2	P0.11	P0.11	I2C1A_SDA	—	TMR1C_IOA_N	I2C1 Port Map A Serial Data; Timer1 Port Map C Input/Output 32-Bits or Lower 16-Bits Only Inverted Output
G3	P0.12	P0.12	I2C1A_SCL	—	TMR1C_IOB_N	I2C1 Port Map A Serial Clock; Timer1 Port Map C Input/Output Upper 16-Bits Only Inverted Output
J2	P0.13	P0.13	SPI3A_SS1	TMR0B_IOA	I2C2C_SDA	SPI3 Port Map A Target Select 1; Timer0 Port Map B Input/Output 32-Bits or Lower 16-Bits Only; I2C2 Port Map C Serial Data
K1	P0.14	P0.14	SPI3A_SS2	TMR0B_IOB	I2C2C_SCL	SPI3 Port Map A Target Select 2; Timer0 Port Map B Input/Output Upper 16-Bits Only; I2C2 Port Map C Serial Clock
K2	P0.15	P0.15	SPI3A_SDIO_3	—	TMR1C_IOA	SPI3 Port Map A Data 3; Timer1 Port Map C Input/Output 32 Bits or Lower 16 Bits Only
L3	P0.16	P0.16	SPI3A_SCK	—	—	SPI3 Port Map A Serial Clock
J3	P0.17	P0.17	SPI3A_SDIO_2	—	TMR1C_IOB	SPI3 Port Map A Data 2; Timer1 Port Map C Input/Output Upper 16 Bits Only
K6	P0.18	P0.18	—	—	—	
M3	P0.19	P0.19	SPI3A_SS0	RV_TCK	—	SPI3 Port Map A Target Select 0; RV32 JTAG Tap Controller Clock Input
K3	P0.20	P0.20	SPI3A_MISO	RV_TMS	—	SPI3 Port Map A Controller In Target Out/ Data 1; RV32 JTAG Tap Controller Mode Select
L2	P0.21	P0.21	SPI3A_MOSI	RV_TDI	—	SPI3 Port Map A Controller Out Target In/ Data 0; RV32 JTAG Tap Controller Data In
C1	P0.22	P0.22	SPI0A_SS0	RV_TDO	—	SPI0 Port Map A Target Select 0; RV32 JTAG Tap Controller Data Out
G4	P0.23	P0.23/ CLKEXT	PT15	I2S0B_CLKEXT	—	Pulse Train 15; I2S0 Port Map B External Clock Input. This device pin can also be configured as an input to provide a clock source for the SYS_CLK.
F4	P0.24	P0.24	RXEVO	I2S0B_SCK	—	CM4 Rx Event Output; I2S0 Port Map B Serial Clock
E4	P0.25	P0.25	TXEVO	I2S0B_SDI	—	CM4 Tx Event Output; I2S0 Port Map B Serial Data Input
G5	P0.26	P0.26	—	I2S0B_SDO	—	I2S0 Port Map B Serial Data Output

144 CTBGA

PIN	NAME	FUNCTION MODE				FUNCTION
		Primary Signal (Default)	Alternate Function 1	Alternate Function 2	Alternate Function 3	
F5	P0.27	P0.27/ USBCLKEXT	ERFO_CLK_OUT	I2S0B_WS	—	USB External Clock Input; ERFO Output; I2S0 Port Map B Left/Right Clock
D8	P0.28	SWDIO	—	—	—	Serial Wire Debug I/O. After reset, this device pin performs as the serial wire debug I/O.
E8	P0.29	SWDCLK	—	—	—	Serial Wire Debug Clock. After reset, this device pin performs as the serial wire debug clock.
F6	P0.30	P0.30	I2C0A_SDA	—	—	I2C0 Port Map A Serial Data
G6	P0.31	P0.31	I2C0A_SCL	—	—	I2C0 Port Map A Serial Clock
H5	P1.0	P1.0	SPI4A_SS0	ADC_TRIG_B	—	SPI4 Port Map A Target Select 0; ADC Trigger B
K4	P1.1	P1.1	SPI4A_MOSI	—	—	SPI4 Port Map A Controller Out Target In/SDIO0
J5	P1.2	P1.2	SPI4A_MISO	—	—	SPI4 Port Map A Controller In Target Out/SDIO1
K5	P1.3	P1.3	SPI4A_SCK	—	—	SPI4 Port Map A Serial Clock
L4	P1.4	P1.4	SPI4A_SDIO ₂	TMR2B_IOA	—	SPI4 Port Map A Data 2; Timer2 Port Map B Input/Output 32-Bits or Lower 16-Bits Only
M5	P1.5	P1.5	SPI4A_SDIO ₃	TMR2B_IOB	—	SPI4 Port Map A Data 3; Timer2 Port Map B Input/Output Upper 16 Bits Only
L5	P1.6	P1.6	SPI4A_SS1	PT0	—	SPI4 Port Map A Target Select 1; Pulse Train 0
J4	P1.7	P1.7	UART2A_CTS	PT1	I2C2C_SDA	UART2 Port Map A Clear to Send; Pulse Train 1; I2C2 Port Map C Serial Data
M2	P1.8	P1.8	UART2A_RTS	PT2	I2C2C_SCL	UART2 Port Map A Request to Send; Pulse Train 2; I2C2 Port Map C Serial Clock
L1	P1.9	P1.9	UART2A_RX	PT3	—	UART2 Port Map A Receive; Pulse Train 3
H4	P1.10	P1.10	UART2A_TX	PT4	—	UART2 Port Map A Transmit; Pulse Train 4
L6	P1.11	P1.11	SPI4A_SS2	—	HYP_CS0N	SPI4 Port Map A Target Select 2; HyperBus Chip Select 0 Active Low
K7	P1.12	P1.12	PT5	—	HYP_D0	Pulse Train 5; HyperBus Data 0
L7	P1.13	P1.13	TMR3A_IOA	—	HYP_D4	Timer 3 Port Map A Input/Output 32-Bits or Lower 16-Bits; HyperBus Data 4
M11	P1.14	P1.14	TMR3A_IOB	—	HYP_RWDS	Timer 3 Port Map A Input/Output Upper 16-Bits Only; HyperBus Read/Write Data Strobe
K8	P1.15	P1.15	—	—	HYP_D1	HyperBus Data 1
L8	P1.16	P1.16	—	—	HYP_D5	HyperBus Data 5

144 CTBGA

PIN	NAME	FUNCTION MODE				FUNCTION
		Primary Signal (Default)	Alternate Function 1	Alternate Function 2	Alternate Function 3	
M7	P1.17	P1.17	PT9	—	HYP_CS1N	Pulse Train 9; HyperBus Chip Select 1 Active Low
L9	P1.18	P1.18	—	PT6	HYP_D6	Pulse Train 6; HyperBus Data 6
K9	P1.19	P1.19	—	PT7	HYP_D2	Pulse Train 7; HyperBus Data 2
K10	P1.20	P1.20	—	—	HYP_D3	HyperBus Data 3
L10	P1.21	P1.21	—	PT8	HYP_D7	Pulse Train 8; HyperBus Data 7
C8	P1.23	P1.23	SPI1A_SS0	—	—	SPI1 Port Map A Target Select 0
D7	P1.24	P1.24	SPI1A_SS2	CAN0B_RX	—	SPI1A Port Map A Target Select 2; Controller Area Network 0 Port Map B Receive Input
E7	P1.25	P1.25	SPI1A_SS1	CAN0B_TX	—	SPI1 Port Map A Target Select 1; Controller Area Network 0 Port Map B Transmit Output
B8	P1.26	P1.26	SPI1A_SCK	—	—	SPI1 Port Map A Serial Clock
C7	P1.27	P1.27	SPI2A_SS2	—	—	SPI2 Port Map A Target Select 2
B7	P1.28	P1.28	SPI1A_MISO	CAN1B_RX	—	SPI1 Port Map A Controller In Target Out/SDIO1; Controller Area Network 1 Port Map B Receive Input
A7	P1.29	P1.29	SPI1A_MOSI	CAN1B_TX	—	SPI1 Port Map A Controller Out Target In/SDIO0; Controller Area Network 1 Port Map B Transmit Output
F8	P1.30	P1.30	OWM_PE	SPI1B_SDIO ₂	—	1-Wire Controller Pull-up Enable; SPI1 Port Map B Data 2
G8	P1.31	P1.31	OWM_IO	SPI1B_SDIO ₃	—	1-Wire Controller Data I/O; SPI1 Port Map B Data 3
E6	P2.1	P2.1	SPI2A_SS1	PT10	—	SPI2 Port Map A Target Select 1; Pulse Train 10
A6	P2.2	P2.2	SPI2A_SCK	—	—	SPI2 Port Map A Serial Clock
B6	P2.3	P2.3	SPI2A_MISO	—	—	SPI2 Port Map A Controller In Target Out/Data 1
C6	P2.4	P2.4	SPI2A_MOSI	—	—	SPI12 Port Map A Controller Out Target In/Data 0
D6	P2.5	P2.5	SPI2A_SS0	PT11	—	SPI2 Port Map A Target Select 0; Pulse Train 11
C4	P2.6	P2.6	—	SPI2B_SDIO ₂	—	SPI2 Port Map B Data 2
E5	P2.7	P2.7	I2C0A_SDA	SPI2B_SDIO ₃	—	I2C0 Port Map A Serial Data; SPI2 Port Map B Data 3
D4	P2.8	P2.8	I2C0A_SCL	—	—	I2C0 Port Map A Serial Clock
A5	P2.9	P2.9	UART0A_CTS	PT12	—	UART0 Port Map A Clear to Send; Pulse Train 12
B5	P2.10	P2.10	UART0A_RTS	PT14	—	UART0 Port Map A Request to Send; Pulse Train 14

144 CTBGA

PIN	NAME	FUNCTION MODE				FUNCTION
		Primary Signal (Default)	Alternate Function 1	Alternate Function 2	Alternate Function 3	
C5	P2.11	P2.11	UART0A_RX	PT13	—	UART0 Port Map A Receive; Pulse Train 13
D5	P2.12	P2.12	UART0A_TX	PT15	—	UART0 Port Map A Transmit; Pulse Train 15
H6	P2.13	P2.13	UART1A_CTS	—	—	UART1 Port Map A Clear to Send
J6	P2.14	P2.14	UART1A_RX	—	—	UART1 Port Map A Receive
J7	P2.15	P2.15	UART1A_RTS	ADC_HW_TRIGGER_C	—	UART1 Port Map A Request to Send; ADC Hardware Trigger Input C
H7	P2.16	P2.16	UART1A_TX	—	—	UART1 Port Map A Transmit
H2	P2.17	P2.17	I2C1A_SDA	BLE_ANT_CTRL1	—	I2C1 Port Map A Serial Data; Bluetooth Antenna Control Line 1
H3	P2.18	P2.18	I2C1A_SCL	BLE_ANT_CTRL0	—	I2C1 Port Map A Serial Clock; Bluetooth Antenna Control Line 0
H9	P2.20	P2.20	PT5	BLE_ANT_CTRL2	TMR2C_IOA	Pulse Train 5; Bluetooth Antenna Control Line 2; Timer2 Port Map C Input/Output 32-Bits or Lower 16-Bits
J9	P2.21	P2.21	PT7	BLE_ANT_CTRL3	TMR2C_IOB	Pulse Train 7; Bluetooth Antenna Control Line 3; Timer2 Port Map C Input/Output Upper 16-Bits
F9	P2.22	P2.22	PT8	CAN0B_RX	—	Pulse Train 8; Controller Area Network 0 Port Map B Receive Input
G9	P2.23	P2.23	PT6	CAN0B_TX	—	Pulse Train 6; Controller Area Network 0 Port Map B Transmit Output
B4	P2.24	P2.24	PT10	CAN1B_RX	—	Pulse Train 10; Controller Area Network 1 Port Map B Receive Input
F3	P2.25	P2.25	PT11	CAN1B_TX	—	Pulse Train 11; Controller Area Network 1 Port Map B Transmit Output
A2	P2.26	P2.26	PT12	SPI0B_SS1	I2S0C_WS	Pulse Train 12; SPI0 Port Map B Target Select 1; I2S0 Port Map C Left/Right Word Select
B2	P2.27	P2.27	PT13	SPI0B_MISO	I2S0C_SDI	Pulse Train 13; SPI0 Port Map B Controller In Target Out/Data 1; I2S0 Port Map C Serial Data In
B1	P2.28	P2.28	PT14	SPI0B_MOSI	I2S0C_SDO	Pulse Train 14; SPI0 Port Map B Controller Out Target In/Data 0; I2S0 Port Map C Serial Data Out
C3	P2.29	P2.29	PT0	SPI0B_SCK	I2S0C_SCK	Pulse Train 0; SPI0 Port Map B Serial Clock; I2S0 Port Map C Serial Clock
B3	P2.30	P2.30	PT1	SPI0B_SDIO ₂	TMR3C_IOA	Pulse Train 1; SPI0 Port Map B Data 2; Timer 3 Port Map C Input/Output 32-Bits or Lower 16-Bits
C2	P2.31	P2.31	PT2	SPI0B_SDIO ₃	TMR3C_IOB	Pulse Train 2; SPI0 Port Map B Data 3; Timer 3 Port Map C Input/Output Upper 16-Bits Only

144 CTBGA

PIN	NAME	FUNCTION MODE				FUNCTION
		Primary Signal (Default)	Alternate Function 1	Alternate Function 2	Alternate Function 3	
H10	P3.0	P3.0	AIN0/AIN0N	LPUART0B_RX	—	ADC Input 0/Comparator 0 Negative Input; Low-Power UART0 Port Map B Receive
H11	P3.1	P3.1	AIN1/AIN0P	LPUART0B_TX	—	ADC Input 1/Comparator 0 Positive Input; Low-Power UART0 Port Map B Transmit
H12	P3.2	P3.2	AIN2/AIN1N	LPUART0B_CTS	—	ADC Input 2/Comparator 1 Negative Input; Low-Power UART0 Port Map B Clear to Send
G10	P3.3	P3.3	AIN3/AIN1P	LPUART0B_RTS	—	ADC Input 3/Comparator 1 Positive Input; Low-Power UART0 Port Map B Request to Send
F10	P3.4	P3.4	AIN4/AIN2N	LPTMR0B_IOA	—	ADC Input 4/Comparator 2 Negative Input; Low-Power Timer0 Port Map B Input/Output 32-Bits or Lower 16-Bits
E10	P3.5	P3.5/ LPTMR0_CLK	AIN5/AIN2P	—	—	ADC Input 5/Comparator 2 Positive Input; LPTMR0 External Clock
G11	P3.6	P3.6/ LPTMR1_CLK	AIN6/AIN3N	—	—	ADC Input 6/Comparator 3 Negative Input; TLPTMR1 External Clock
D10	P3.7	P3.7	AIN7/AIN3P	LPTMR1B_IOA	—	ADC Input 7/Comparator 3 Positive Input; Low-Power Timer1 Port Map B Input/Output 32-Bits or Lower 16-Bits Only Inverted Output
H8	P3.8	P3.8	—	—	—	
J8	P3.9	P3.9	—	—	—	
D9	P4.0	P4.0/PDOWN	—	—	—	Power-Down Output
E9	P4.1	P4.1/ SQWOUT	—	—	—	Square-Wave Output
USB						
L12	DP	—	—	—	—	USB DP Signal. This bidirectional pin carries the positive differential data or single-ended data. This pin is weakly pulled high internally when the USB is disabled. See the USB Design Considerations section.
K12	DM	—	—	—	—	USB DM Signal. This bidirectional pin carries the negative differential data or single-ended data. This pin is weakly pulled high internally when the USB is disabled. See the USB Design Considerations section.
ANTENNA OUTPUT						
A12	ANT	—	—	—	—	Antenna for Bluetooth Radio. Attach the single-ended, unbalanced Bluetooth radio antenna.

Detailed Description

The MAX32690 microcontroller (MCU) is an advanced system-on-chip (SoC) featuring an Arm® Cortex®-M4F CPU, large flash and SRAM memories, and Bluetooth® 5.2 Low Energy (LE) radio. This device unites processing horsepower with the connectivity required for IoT applications.

The MAX32690 is qualified to operate over the -40°C to +105°C range, which is ideal for industrial environments. This device is available in 68-pin TQFN-EP (0.40mm pitch), 140-bump WLP (0.35mm pitch), and 144-CTBGA (0.8mm pitch) packages.

The integrated Bluetooth 5.2 Low Energy (LE) radio supports long-range (coded) and high-throughput modes. A RISC-V core optionally handles timing-critical controller tasks, freeing the programmer from Bluetooth LE interrupt latency concerns.

Internal code and SRAM space can be expanded off-chip through two quad-SPI execute-in-place (SPIXF and SPIXR) interfaces up to 512MB each.

A cryptographic toolbox (CTB) provides a modular arithmetic accelerator (MAA), advanced encryption standard (AES) engine, TRNG, and a SHA-2 engine. The device also provides extensive security features including a 128-bit unique serial number (USN), physically unclonable function (PUF), secure nonvolatile key storage, a memory decryption integrity unit (MDIU) for SPIXF and SPIXR, and the Arm memory protection unit (MPU). The optional secure communications protocol boot loader (SCPBL) provides an immutable root of trust, secure boot with flash integrity validation using ECDSA, and secure firmware update ability.

Many high-speed interfaces are supported on the device, including multiple QSPI, UART, CAN 2.0B, and I²C serial interfaces, plus one I²S port for connecting to an audio codec. Most interfaces support DMA-driven transfers between memory (flash or SRAM) and a peripheral. A 12-input (8 external), 12-bit SAR ADC samples analog data at up to 1MSPS.

Arm Cortex-M4 with FPU Processor

The Arm Cortex-M4 with FPU CPU is ideal for industrial IoT applications. The architecture combines high-efficiency signal processing functionality with low power, low cost, and ease of use.

The Arm Cortex-M4 with FPU DSP supports single instruction multiple data (SIMD) path DSP extensions, providing:

- Signed or unsigned data with or without saturation
- Four parallel 8-bit add/sub
- Floating-point single precision
- Two parallel 16-bit add/sub
- Two parallel MACs
 - 32- or 64-bit accumulate

RISC-V 32-Bit Core

The RISC-V 32-bit open-source core (RV32) provides stand-alone processing capability as well as being capable of running the Bluetooth stack. The RV32 can access the SPI0, SPI1, SPI2, Bluetooth LE, CAN0, CAN1, all UARTs, all timers, I²C, 1-Wire, pulse train engines, I²S, TRNG, and comparators, as well as SRAM8 and a dedicated bank of 256KB flash.

Memory

Internal Flash Memory

3MB of internal flash memory provides nonvolatile program and data memory storage. An additional 256KB of flash is dedicated to the RV32 processor.

Flash can be expanded through the SPIXF flash serial interface backed by 16KB of cache. The SPIXF flash interface can address an additional 512MB.

Internal SRAM

The internal 1MB SRAM provides low-power retention of application information in all power modes. This data-retention feature is optional and configurable. An additional 128KB of SRAM is available to the RV32 (SRAM8). SRAM can be expanded through the SPIXR SRAM serial interface supported by 16KB of cache. The SPIXR SRAM interface can address an additional 512MB.

Spansion HyperBus/Xccela Bus

The Spansion[®] HyperBus/Xccela bus interface provides external Cypress[®] Spansion HyperBus and Xccela bus memory products for SRAM and flash. This interface provides a means of high-speed execution from external SRAM or flash, allowing system expansion when internal memory resources are insufficient. Target memory devices are selected with two chip selects. Each chip select addresses up to 512MB SRAM or flash at a speed of up to 60MHz or 120MB/s. It is a high-speed, low-pin count interface that is memory-mapped into the CPU memory space, making access to this external memory as easy as accessing on-chip RAM. Data is transferred over a high-speed, 8-bit bus. HyperBus transfers are clocked using a differential clock, while Xccela bus transfers use a single-ended clock. This interface supports 1.8V operation only.

Features of the HyperBus/Xccela bus interface include:

- Controller/target system
- 120MB/s maximum data transfer rate
- Double data rate (DDR): two data transfers per clock cycle
- Transparent bus operation to the processor
- 16KB write-through cache
- Two chip selects for two memory ports
 - Each port supports memories up to 512MB
- Addresses two external memories, one at a time
- Interfaces to HyperFlash[®], HyperRAM[®], and Xccela PSRAM
- Zero-wait state burst-mode operation
- Low-power half-sleep mode
 - It puts the external memory device into low-power mode while retaining memory contents
- Configurable timing parameters

External Memory SPI Execute-in-Place (SPIX) Interface

A dedicated high-speed SPI execute-in-place engine supports up to 512MB of external flash memory (SPIXF) running at a speed of up to 60MHz. The use of an external memory provides the flexibility to choose the lowest-cost solution for the application. The SPIXF controller supports single-, dual-, or quad-speed I/O for fast, efficient operation. Instructions are fetched and stored in a 16kB cache to reduce latency and improve system performance. The external program memory is programmed during an authenticated bootloader session. It can be optionally encrypted during loading. Encryption and authentication keys are stored in the fast-wipe key memory.

A second dedicated high-speed SPI execute-in-place engine supports up to 512MB of external SRAM (SPIXR) running at a speed of up to 60MHz. The use of an external memory provides the flexibility to choose the lowest-cost solution for the application. The SPIXR controller supports single-, dual-, or quad-speed I/O for fast, efficient operation. Data or instructions are fetched and stored in a 16kB cache to reduce latency and improve system performance.

Bluetooth 5.2

Bluetooth 5.2 Low Energy (LE) Radio

The Bluetooth 5.2 LE wireless communication standard is used for communication between various smart home and internet of things (IoT) devices. Devices operate in the unlicensed 2.4GHz industrial, scientific, and medical (ISM) band. A frequency-hopping transceiver is used to combat interference and fading. The system operates in the 2.4GHz ISM band at 2400MHz to 2483.5MHz. It uses 40 RF channels. These RF channels have center frequencies $2402 + k \times 2\text{MHz}$, where $k = 0, \dots, 39$. The features of the radio include the following:

- Higher transmit power up to +4.5dbm
- 1Mbps, 2Mbps, and long-range coded (125kbps and 500kbps)

- Increased broadcast capability
 - Advertising packet length up to 255 bytes
- On-chip matching network to the antenna

Bluetooth 5.2 Software Stack

A Bluetooth 5.2 software stack is available for application developers to quickly add support to devices. The Packetcraft® Host and Controller software stack is provided in library form and provides application developers access to Bluetooth without validation and development of a software stack. The Packetcraft Host and Controller software stack interfaces to the Bluetooth link layer running on RV32. The Packetcraft Host and Controller feature the following:

- C library for linking directly into an application
- Change PHY support
 - Host selects the PHY it needs to use at any given time, enabling long-range or higher bandwidth only when required
 - LE 1M
 - LE Coded S = 2
 - LE Coded S = 8
 - LE 2M
- Bluetooth 5 advertising extension support for enabling next-generation Bluetooth beacons
 - Larger packets and advertising channel offloading
 - Packets up to 255 octets long
 - Advertising packet chaining
 - Advertising sets
 - Periodic advertising
 - High-duty-cycle, nonconnectable advertising
 - Sample applications using standard profiles built on the Packetcraft Host and Controller software framework

Comparators

The eight analog inputs AIN[7:0] can be configured as four pairs and deployed as four independent comparators with the following features:

- Comparison events can trigger interrupts
- Events can wake the CPU from SLEEP, LOW POWER, or BACKUP operating modes
- Can be active in all power modes

Clocking Scheme

The IPO operates at a maximum frequency of 120MHz.

Optionally, six other oscillators can be selected depending upon power needs:

- 60MHz ISO
- 8kHz INRO
- 32.768kHz ERTCO (external crystal required)
- 7.3728MHz IBRO
- 32MHz ERFO (external crystal required)
- CLKEXT

The SYS_CLK is the primary clock source for the digital logic and peripherals. Select the IBRO to optimize active power consumption. Using the IBRO allows UART communications to meet a 2% baud rate tolerance. Wakeup is possible from either the IBRO or the IPO. The device exits power-on reset using the ISO.

An external 32.768kHz timebase is required when using the ERTCO.

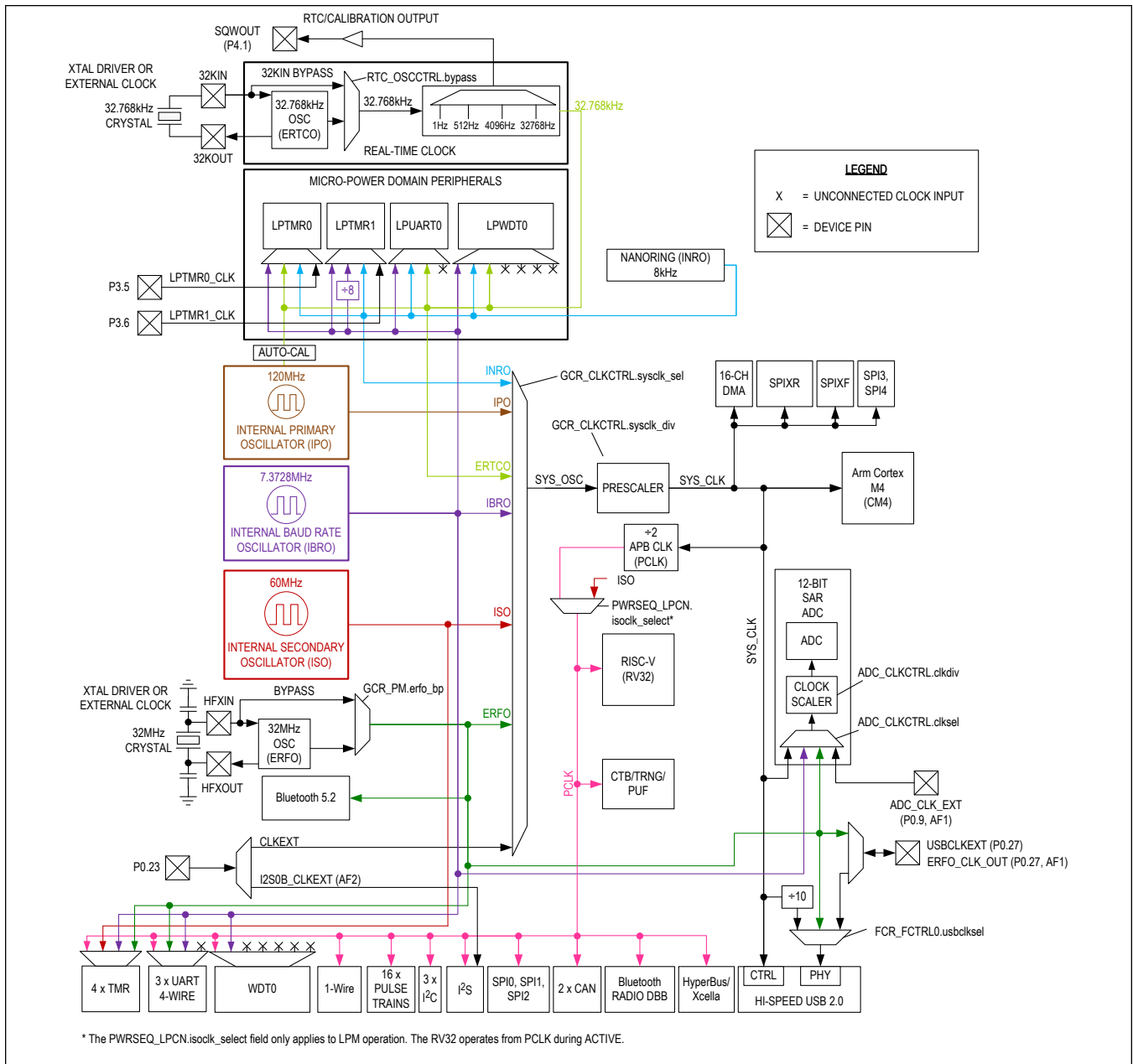


Figure 8. Clocking Scheme Diagram

General-Purpose I/O and Special Function Pins

Most general-purpose I/O (GPIO) pins share a software-controlled I/O function and one or more alternate functions associated with peripheral modules. Pins can be individually enabled for GPIO or peripheral special function use. Configuring a pin as a special function supersedes its use as a software-controlled I/O. Although this multiplexing between peripheral and GPIO functions is usually static, it can also be done dynamically. The electrical characteristics of a GPIO pin are identical whether the pin is configured as an I/O or special function, except where explicitly noted in the [Electrical Characteristics](#) tables.

In GPIO mode, pins are logically divided into ports of 32 pins. Each pin of a port has an interrupt function that can be

independently enabled and configured as a level- or edge-sensitive interrupt. All GPIOs of a given port share the same interrupt vector.

When configured as GPIO, the following features are provided. The features can be independently enabled or disabled on a per-pin basis.

- Configurable as input, output, bidirectional, or high impedance
- Optional internal pull-up resistor or internal pull-down resistor when configured as an input
- Exit from low-power modes on rising or falling edge
- Selectable standard- or high-drive modes

The GPIO pins are set to input enabled high impedance on POR, system reset, external reset, and soft reset. See [GPIO Considerations](#) for additional information.

The MAX32690 provides up to 104 GPIO pins. See the [Ordering Information](#) table for the specific number of GPIOs by part number.

Analog-to-Digital Converter (ADC)

The 12-bit SAR ADC provides an integrated reference generator and a single-ended input multiplexer. The multiplexer selects an input channel from one of the external analog input signals or the internal power supply inputs.

The reference for the ADC can be:

- External V_{REF} input
- V_{DD3A} analog supply

The ADC measures the following voltages:

- External inputs up to V_{DD3A}
- V_{DDB} divided by 4
- V_{CORE}
- V_{DDA} divided by 2
- V_{DD3A} divided by 4
- V_{SS}

The MAX32690 provides up to eight external analog inputs (AIN[7:0]). See the [Ordering Information](#) table for the specific number of analog inputs by part number.

Power Management

Power Management Unit (PMU)

The PMU provides high-performance operation while minimizing power consumption. It exercises intelligent, precise control of power distribution to the CPUs and peripheral circuitry.

The PMU provides the following features:

- User-configurable system clock
- Automatic enabling and disabling of crystal oscillators based on power mode
- Multiple power domains
- Fast wake-up of powered-down peripherals when activity detected

ACTIVE Mode

In this mode, the CM4 and the RV32 can execute software, and all digital and analog peripherals are available on demand. Dynamic clocking disables peripherals not in use, providing the optimal mix of high performance and low-power consumption. The CM4 has access to all system SRAM. The RV32 has a dedicated flash bank of 256KB and access to SRAM8 (128KB). Both the CM4 and the RV32 can execute from their own dedicated internal flash simultaneously.

SLEEP Mode

This mode consumes less power than ACTIVE mode, but wakes faster than LPM because the clocks can optionally be enabled.

The device status is as follows:

- CM4 is asleep
- RV32 is asleep
- Peripherals are on
- Standard DMA is available for optional use
- All oscillators are available for use

LOW POWER Mode (LPM)

This mode is suitable for running the RV32 processor to collect and move data from enabled peripherals.

The device status is as follows:

- The CM4, SRAM0-SRAM7 are in state retention.
- The RV32 can access the SPI0, SPI1, SP2, Bluetooth LE, CAN0, CAN1, all UARTs, all timers, I²C, 1-Wire, pulse train engines, I²S, TRNG, and comparators, as well as SRAM8.
- CRC, AES, MAA, and USB are powered down.
- The transition from LPM to ACTIVE mode is faster than the transition from BACKUP mode because system initialization is not required.
- The DMA is not available.
- IPO can optionally be powered down.
- INRO is on.
- The following oscillators are optionally enabled:
 - IBRO
 - ERTCO
 - ISO
 - ERFO

MICRO POWER Mode (UPM)

This mode provides extremely low-power consumption while using a minimal set of peripherals to provide the wake-up capability.

The device status is as follows:

- Both CM4 and RV32 are state retained. (System state and all SRAM is retained.)
- The GPIO pins retain their state.
- All non-MICRO POWER domain peripherals are state retained.
 - USB and Bluetooth LE are powered down
 - CRC, AES, and MAA are powered down.
- IPO, ISO, ERFO are powered down.
- INRO is on.
- The following oscillators are optionally enabled:
 - IBRO
 - ERTCO

STANDBY Mode

This mode is used to maintain the system operation while keeping time with the RTC.

The device status is as follows:

- Both CM4 and RV32 are state retained. (System state and all SRAM is retained.)
- The GPIO pins retain their state.
- RTC is optionally enabled.
- Wakeup timers are optionally enabled.
- Comparator 0 (CMP0) is optionally enabled.
- All peripherals are state retained except:
 - USB, Bluetooth LE, CRC, AES, and MAA are powered down.
- INRO is on.
- The following oscillators are optionally enabled:

- ERTCO

BACKUP Mode

This mode is used to maintain the system RAM. The device status is as follows:

- CM4 and RV32 are powered off.
- SRAM can be configured to be state retained as per [Table 1](#).
- All peripherals are powered down.
- The GPIO pins retain their state.
- RTC is optionally enabled.
- Wakeup timers are optionally enabled.
- INRO is on.
- The following oscillators are powered down:
 - IPO
 - ISO
 - IBRO
 - ERFO
- The following oscillators are optionally enabled:
 - ERTCO

Table 1. BACKUP Mode SRAM Retention

RAM BLOCK	RAM SIZE	RETAINED RAM
SRAM0	128KB	112KB
SRAM1	128KB	128KB
SRAM2	128KB	128KB
SRAM3	128KB	128KB
SRAM4	128KB	128KB
SRAM5	128KB	128KB
SRAM6	64KB	64KB
SRAM7	192KB	192KB
SRAM8	128KB	128KB

Note: The boot ROM uses certain ranges of system RAM during a system reset, watchdog timer reset, an external reset, and an exit from BACKUP. The boot ROM uses this RAM to perform system checks. As a result, not all of each RAM can be retained during an exit from BACKUP. Refer to the [MAX32690 User Guide](#) for details on the address range of retained memory.

Wake-Up Sources

The wake-up sources for each operating mode are summarized in [Table 2](#).

Table 2. Wake-Up Sources

OPERATING MODE	WAKE-UP SOURCE
SLEEP	Any enabled peripheral with interrupt capability; RSTN
LOW POWER (LPM)	SPI0, SPI1, SPI2, I ² S, I ² C, CAN0, CAN1, UARTs, Bluetooth LE, watchdog timers, wakeup timer, all comparators, RTC, GPIOs, RSTN, and RV32
MICRO POWER (UPM)	All comparators, LPUART0 (where available), LPTMR0, LPTMR1, LPWDT0, RTC, wakeup timer, GPIOs, and RSTN
STANDBY	RTC, wakeup timer, GPIOs, CMP0 (where available), and RSTN
BACKUP	RTC, wakeup timer, GPIOs, CMP0 (where available), and RSTN

Real-Time Clock

A real-time clock (RTC) keeps the time of day in absolute seconds. The 32-bit seconds register can count up to approximately 136 years and be translated to calendar format by application software.

The RTC provides a time-of-day alarm that can be programmed to any future value between 1 second and 12 days. When configured for long intervals, the time-of-day alarm can be used as a power-saving timer, allowing the device to remain in an extremely low-power mode but still awakened periodically to perform assigned tasks. A second independent 32-bit 1/4096 sub-second alarm can be programmed with a tick resolution of 244µs. Both can be configured as recurring alarms. When enabled, either alarm can cause an interrupt or wake the device from most low-power modes.

The time base is generated by a 32.768kHz crystal or an external clock source that must meet the electrical/timing requirements in the [Electrical Characteristics](#) table.

The RTC calibration feature provides the ability for user software to compensate for minor variations in the RTC oscillator, crystal, temperature, and board layout. Enabling the SQWOUT alternate function outputs a timing signal derived from the RTC. External hardware can measure the frequency and adjust the RTC frequency in increments of ±127ppm with 1ppm resolution. Under most circumstances, the oscillator does not require any calibration.

CRC Module

A cyclic redundancy check (CRC) hardware module provides fast calculations and data integrity checks by application software. The CRC polynomial is programmable to support custom CRC algorithms as well as the common algorithms shown in [Table 3](#).

Table 3. Common CRC Polynomials

ALGORITHM	POLYNOMIAL EXPRESSION
CRC-32-ETHERNET	$x^{32} + x^{26} + x^{23} + x^{22} + x^{16} + x^{12} + x^{11} + x^{10} + x^8 + x^7 + x^5 + x^4 + x^2 + x^1 + x^0$
CRC-CCITT	$x^{16} + x^{12} + x^5 + x^0$
CRC-16	$x^{16} + x^{15} + x^2 + x^0$
USB DATA	$x^{16} + x^{15} + x^2 + x^0$
PARITY	$x^1 + x^0$

Programmable Timers

32-Bit Timer/Counter/PWM (TMR, LPTMR)

General-purpose, 32-bit timers provide timing, capture/compare, or generation of pulse-width modulated (PWM) signals with minimal software interaction.

The timer provides the following features:

- 32-bit autoreload
- Programmable prescaler
- PWM output generation
- Capture, compare, and capture/compare capability
- External pin multiplexed with GPIO for timer input, clock gating, or capture
- Timer output pin
- TMR0–TMR3 can be individually configured as two 16-bit general-purpose timers
- Timer interrupt

The MAX32690 provides six 32-bit timers (TMR0, TMR1, TMR2, TMR3, LPTMR0, and LPTMR1). LPTMR0 and LPTMR1 are capable of operation in the SLEEP, LPM, and UPM modes.

I/O functionality is supported for all of the timers. Note that the function of a port can be multiplexed with other functions on the GPIO pins, so it might not be possible to use all the ports depending on the device configuration. See [Table 4](#) for individual timer features.

Table 4. MAX32690 Timer Instances

INSTANCE	REGISTER ACCESS NAME	SINGLE 32-BIT	DUAL 16-BIT	SINGLE 16-BIT	POWER MODE	CLOCK SOURCE						
						PCLK	ISO	IBRO	INRO	ERTCO	LPTMR0_CLK	LPTMR1_CLK
TMR0	TMR0	Yes	Yes	No	ACTIVE, SLEEP, LPM	Yes	Yes	Yes	No	Yes	No	No
TMR1	TMR1	Yes	Yes	No	ACTIVE, SLEEP, LPM	Yes	Yes	Yes	No	Yes	No	No
TMR2	TMR2	Yes	Yes	No	ACTIVE, SLEEP, LPM	Yes	Yes	Yes	No	Yes	No	No
TMR3	TMR3	Yes	Yes	No	ACTIVE, SLEEP, LPM	Yes	Yes	Yes	No	Yes	No	No
LPTMR0	TMR4	No	No	Yes	ACTIVE, SLEEP, LPM, UPM	No	No	Yes	Yes	Yes	Yes	No
LPTMR1*	TMR5	No	No	Yes	ACTIVE, SLEEP, LPM, UPM	No	No	Yes	Yes	Yes	No	Yes

*Available as an internal timer only on the 68-pin TQFN-EP package.

Watchdog Timer (WDT)

Microcontrollers are often used in harsh environments where electrical noise and electromagnetic interference (EMI) are abundant. Without proper safeguards, these hazards can disturb device operation and corrupt program execution. One of the most effective countermeasures is the windowed WDT, which detects runaway code or system unresponsiveness.

The WDT is a 32-bit, free-running counter with a configurable prescaler. When enabled, the WDT must be periodically reset by the application software. Failure to reset the WDT within the user-configurable timeout period indicates that the application software is not operating correctly and results in a WDT timeout. A WDT timeout can trigger an interrupt, system reset, or both. Either response forces the instruction pointer to a known good location before resuming instruction execution. The windowed timeout period feature provides more detailed monitoring of system operation, requiring the WDT to be reset within a specific window of time. See [Table 5](#) for individual timer features.

The MAX32690 provides two instances of the watchdog timer—WDT0 and LPWDT0.

Table 5. MAX32690 Watchdog Timer Instances

INSTANCE NAME	REGISTER ACCESS NAME	POWER MODE	CLOCK SOURCE			
			PCLK	IBRO	INRO	ERTCO
WDT0	WDT0	ACTIVE, SLEEP, LPM	Yes	Yes	No	No
LPWDT0	WDT1	ACTIVE, SLEEP, LPM, UPM	No	Yes	Yes	Yes

Pulse Train Engine (PT)

Multiple, independent pulse train generators can provide either a square-wave or a repeating pattern from 2 to 32 bits in length. Any single-pulse train generator or any desired group of pulse train generators can be synchronized at the bit

level allowing for multibit patterns. Each pulse train generator is independently configurable.

The pulse train generators provide the following features:

- Independently enabled
- Safe enable and disable for pulse trains without bit banding
- Multiple pin configurations allow for flexible layout
- Pulse trains can be started/synchronized independently or as a group
- Frequency of each enabled pulse train generator is also set separately, based on a divide down (divide by 2, divide by 4, divide by 8, and so on) of the input pulse train module clock
- Input pulse train module clock can be optionally configured to be independent from the system AHB clock
- Multiple repetition options
 - Single shot (nonrepeating pattern of 2 to 32 bits)
 - Pattern repeats a user-configurable number of times or indefinitely
 - Termination of one pulse train loop count can restart one or more other pulse trains

The pulse train engine feature is an alternate function associated with a GPIO pin.

See [Table 6](#) for details of instances of the pulse train peripheral.

Table 6. MAX32690 Pulse Train Instances

PACKAGE	PULSE TRAIN INSTANCE
140 WLP 144 CTBGA	PT0-PT15
68 TQFN-EP	PT0-PT8, PT10-PT15

Wakeup Timer

The wakeup timer (WUT) is a unique instance of a 32-bit timer.

- Uses the ERTCO for its clock source
- Programmable prescaler with values from 1 to 4096
- Supports the following timer modes:
 - One-Shot: The timer counts up to the terminal value, generates a wake-up event, then halts.
 - Continuous: The timer counts up to the terminal value, generates a wake-up event, then repeats.
 - Compare: The timer counts up to the compare value, generates a wake-up event, then repeats.
- Independent interrupt handler

Serial Peripherals

USB Controller

The integrated USB device controller is compliant with the High-Speed (480Mb/s) USB 2.0 specification. The integrated USB physical interface (PHY) reduces board space and system cost. Eleven endpoint buffers are a configurable selection of IN or OUT in addition to endpoint 0.

Controller Area Network 2.0B

The integrated CAN interface is compliant with Bosch CAN 2.0B specification (2.0B Active) according to ISO 11898-1.

The key features of the interface:

- ISO 11898-1:2015 compliance
- Up to 8-byte data frame
- Selectable ID type
 - 11-bit standard ID
 - 11-bit standard ID + 18-bit extended ID
- Selectable frame type
 - Data frame (remote transmission request (RTR) = 0)
 - Remote frame (RTR = 1)

- Hardware message filtering (dual/single filters)
- DMA support for transmit and receive
- 128-byte transmit buffer and 256-byte receive buffer
- Overload frame generated on FIFO overflow
- Protocol exception event detection
- Normal and Listen Only modes
- Transmitter delay compensation up to three data bits long
- Single-shot transmission
- Readable error counters
- Last error code
- Sleep mode and wake up unit

I²C Interface

The I²C interface is a bidirectional, two-wire serial bus that provides a medium-speed communications network. It can operate as a one-to-one, one-to-many, or many-to-many communications medium. This interface supports Standard-mode, Fast-mode, Fast-mode Plus, and High-Speed mode I²C speeds. It provides the following features:

- Controller or target mode operation
 - Up to four different target addresses in target mode
- Standard 7-bit addressing or 10-bit addressing
- RESTART condition
- Interactive receive mode (IRXM)
- Transmit FIFO preloading
- Clock stretching to allow slower target devices to operate on higher speed busses
- Multiple transfer rates
 - Standard-mode: 100kbps
 - Fast mode: 400kbps
 - Fast-mode Plus: 1000kbps
 - High-Speed mode: 3.4Mbps
- Internal filter to reject noise spikes
- Receive FIFO depth of 8 bytes
- Transmit FIFO depth of 8 bytes

See [Table 7](#) for details of the instances of the I²C peripheral.

Table 7. MAX32690 I²C Instances

INSTANCE	PACKAGE	
	140 WLP 144 CTBGA	68 TQFN-EP
I2C0	Yes	Yes
I2C1	Yes	No
I2C2	Yes	Yes

I²S Interface

The I²S interface is a bidirectional, four-wire serial bus that provides serial communications for codecs and audio amplifiers compliant with the I²S Bus Specification, June 5, 1996. It provides the following features:

- Controller and target mode operation
- Selectable bits per word from 1 to 32
- Receive and transmit DMA support
- Word-select polarity control
- First-bit position selection
- Interrupts generated for FIFO status
- Receive FIFO depth of 32 bytes
- Transmit FIFO depth of 32 bytes

The MAX32690 provides one instance of the I²S peripheral (I2S0).

Serial Peripheral Interface (SPI)

The SPI is a highly configurable, flexible, and efficient synchronous interface where multiple SPI devices can coexist on a single bus. The bus uses a single clock signal and multiple data signals, as well as one or more target select lines to address only the intended target device. The SPI operates independently and requires minimal processor overhead.

The provided SPI peripherals can operate in either target or controller mode and provide the following features:

- SPI modes 0, 1, 2, or 3 for single-bit communication
- 3- or 4-wire mode for single-bit target device communication
- Full-duplex operation in single-bit, 4-wire mode
- Dual and quad data modes supported
- Multiple target selects on some instances
- Multicontroller mode fault detection
- Programmable interface timing
- Programmable SCK frequency and duty cycle
- 32-byte transmit and receive FIFOs
- Target select assertion and deassertion timing with respect to leading/trailing SCK edge

See [Table 8](#) for SPI configuration options.

Table 8. MAX32690 SPI Instances

PACKAGE		INSTANCE	DATA		TARGET SELECT LINES		MAXIMUM FREQUENCY CONTROLLER MODE (MHz)	MAXIMUM FREQUENCY TARGET MODE (MHz)
140 WLP 144 CTBGA	68 TQFN-EP		140 WLP 144 CTBGA	68 TQFN-EP	140 WLP 144 CTBGA	68 TQFN-EP		
Yes	Yes*	SPI0	3-wire, 4-wire, dual, or quad data support	3-wire or 4-wire only	2	1	30	60
Yes	No	SPI1	3-wire, 4-wire, dual, or quad data support		3		30	60
Yes	No	SPI2	3-wire, 4-wire, dual, or quad data support		3		30	60
Yes	No	SPI3	3-wire, 4-wire, dual, or quad data support		3		60	60
Yes	No	SPI4	3-wire, 4-wire, dual, or quad data support		3		60	60

* SPI0 only supports controller mode for the 68 TQFN-EP package.

UART (UART, LPUART)

The universal asynchronous receiver-transmitter (UART, LPUART) interface supports full-duplex asynchronous communication with optional hardware flow control (HFC) to prevent data overruns. If HFC is enabled on a given port, the system uses two extra pins to implement the industry-standard request to send (RTS) and clear to send (CTS) flow control signaling. Each instance is individually programmable.

- 2-wire interface or 4-wire interface with flow control
- 8-byte send/receive FIFO
- Full-duplex operation for asynchronous data transfers
- Interrupts available for frame error, parity error, CTS, Rx FIFO overrun, and FIFO full/partially full conditions
- Automatic parity and frame error detection
- Independent baud-rate generator
- Programmable 9th-bit parity support

- Multidrop support
- Start/stop bit support
- Hardware flow control using RTS/CTS
- Two DMA channels can be connected (read and write FIFOs)
- Programmable word size (5 bits to 8 bits)

The MAX32690 provides four instances of the UART peripheral—UART0, UART1, UART2, and LPUART0. LPUART0 is capable of operation in the SLEEP, LOW POWER, and MICRO POWER modes. See [Table 9](#) for configuration options.

Table 9. MAX32690 UART Instances

PACKAGE		INSTANCE NAME	REGISTER ACCESS NAME	HARDWARE FLOW CONTROL	POWER MODE	CLOCK SOURCE			
140 WLP 144 CTBGA	68 TQFN-EP					PCLK	IBRO	ERFO	ERTCO
Yes	Yes	UART0	UART0	140 WLP and 144 CTBGA only	ACTIVE, SLEEP, LPM	Yes	Yes	Yes	No
Yes	No	UART1	UART1	Yes	ACTIVE, SLEEP, LPM	Yes	Yes	Yes	No
Yes	Yes	UART2	UART2	Yes	ACTIVE, SLEEP, LPM	Yes	Yes	Yes	No
Yes	Yes	LPUART0	UART3	140 WLP and 144 CTBGA only	ACTIVE, SLEEP, LPM, UPM	No	Yes	No	Yes

1-Wire Controller (OWM)

Analog Device's 1-Wire bus consists of one signal that carries data and also supplies power to the target devices and a ground return. The bus controller communicates serially with one or more target devices through the bidirectional, multidrop 1-Wire bus. The single-contact serial interface is ideal for communication networks requiring minimal interconnection.

The provided 1-Wire controller supports the following features:

- Single contact for control and operation
- Unique factory identifier for any 1-Wire device
- Multiple device capability on a single line
- 1-Wire pullup modes include internal pull-up, external fixed pull-up, and optional external strong pull-up

The OWM supports both standard (15.6kbps) and overdrive (110kbps) speeds.

Standard DMA Controller

The DMA controller is a peripheral that provides the ability to perform high-speed, block memory transfers of data independent of a CPU. All DMA transactions consist of a burst read from the source into the internal DMA FIFO, followed by a burst write from the internal DMA FIFO to the destination.

DMA transfers are one of three types:

- From a peripheral's receive FIFO to SRAM
- From a SRAM or flash address to a peripheral's transmit FIFO
- From a SRAM or flash address to SRAM

Cryptographic Tool Box (CTB)

True Random Number Generator (TRNG)

Random numbers are a vital part of a secure application, providing random numbers useable for cryptographic seeds or strong cryptography keys to ensure data privacy. Software can use random numbers to trigger asynchronous events that result in nondeterministic behavior. Random strings can be added to messages to make encryption indeterministic and avoid replay attacks.

The TRNG is continuously updated by a high-quality, physically-unpredictable entropy source. It generates one random bit per cryptographic clock cycle.

MAA

The provided high-speed, hardware-based modulo arithmetic accelerator (MAA) performs mathematical computations that support strong cryptographic algorithms. These include:

- 2048-bit DSA
- 4096-bit RSA

AES

The dedicated hardware-based AES engine supports the following algorithms:

- AES-128
- AES-192
- AES-256

SHA-2

SHA-2 is a cryptographic hash function. It authenticates user data and verifies its integrity. It is used for digital signatures.

The device provides a hardware SHA-2 engine for fast computation of digests supporting:

- SHA-224
- SHA-256
- SHA-384
- SHA-512

Memory Decryption Integrity Unit (MDIU)

The external SPI flash can optionally be encrypted for additional security. Data can be transparently encrypted when it is loaded and decrypted on the fly. Encryption keys are stored in the always-on domain and preserved as long as V_{CORE} is present.

Software Integrity and Root of Trust

Root of Trust

On devices that support SCPBL, the root of trust starts with trusted software and the microcontroller's complement of security features. Communications between a host and the device must be secure and authenticated, and program integrity must be verified each time before execution to ensure the device's trustworthiness. The device's root of trust is based on a secret Analog Devices root verification key and a signed customer verification key (CVK). Customers submit their public CVK, which is then signed, and a certificate is returned to the customer. This process is quick and required only once, before the software is released for the first time, and is unnecessary during the software development. A customer can then load their own key and download their signed binary executable code.

Secure Communications Protocol Bootloader (SCPBL)

On devices that support SCPBL, communication between a host system and the device uses a system of ECDSA-256 digitally signed packets. This guarantees the integrity and authenticity of all communication before executing configuration commands and loading or verifying of program memory. One or more serial interfaces are available for communication. This also enables the assembly and programming of the customer's final product by third-party assembly

houses without the required cost and complexity of ensuring that the assembly house implements and maintains a secure production facility. It also allows for in-field software upgrades to deployed products, thus eliminating the costly need to return a product to the manufacturer for any software changes. The serial interfaces available for SCPBL communication are shown in [Table 10](#). Following any reset or exit from certain low-power modes, the device tests the assigned stimulus pin and, if active, begins an SCPBL session. The stimulus pin can be reassigned once an SCPBL session begins. The host can disable the bootloader interface before deployment to prevent any changes to program memory.

See the [Ordering Information](#) table for availability.

Secure Boot

On devices that support SCPBL, the device performs a secure boot to confirm that the root of trust has not been compromised. Following every reset and exit from certain low-power modes, the secure boot verifies the digital signature of the program memory to confirm it has not been modified or corrupted, thereby ensuring the trustworthiness of the application software. Failure to verify the digital signature transitions the device to safe mode, which prevents execution of the customer code. During the development phase, the bootloader can be reactivated and a new, trusted program memory loaded.

Debug and Development Interface

The device provides two debug interfaces. An Arm Debug Access Port (DAP) supports debugging during application development with the Arm Cortex-M4 microcontroller. The DAP enables an external debugger to access the device and all internal flash and SRAM. The DAP is a standard Arm CoreSight™ serial wire debug (SWD) port and uses a two-pin serial interface (SWDCLK and SWDIO). A JTAG debug interface is provided for debugging the RV32 core during application development. The JTAG interface is accessible as alternate functions on the GPIO pins.

CoreSight is a trademark of Arm Limited.

Applications Information

Power Supply Considerations

V_{DDIO} and V_{DDIOH} must always be greater than V_{CORE} including during power on and power off.

For applications that perform flash programming or page erase operations, in the event of a power fail, the following decay times must be met:

- The decay time of the V_{DDIO} supply from $V_{RST}(V_{DDIO_MIN})$ to 1.47V must be greater than 5 μ s.
- The decay time of the V_{CORE} supply from 0.95V to 0.65V must be greater than 5 μ s.

For applications that perform mass erase operations, in the event of a power fail, the following decay times must be met:

- The decay time of the V_{DDIO} supply from $V_{RST}(V_{DDIO_MIN})$ to 1.47V must be greater than 100 μ s.
- The decay time of the V_{CORE} supply from 0.95V to 0.65V must be greater than 100 μ s.

Bypass Capacitor Recommendations

The proper use of bypass capacitors reduces noise generated by the IC into the ground plane. The [Pin Description](#) table indicates which pins should be connected to bypass capacitors and the appropriate ground plane.

It is recommended that one instance of a bypass capacitor should be connected to each pin/ball of the IC package. For example, if the pin description shows four device pins associated with voltage supply A, a separate capacitor should be connected to each pin for a total of four capacitors.

Place capacitors as close as possible to their corresponding device pins. When more than one value of capacitor is recommended per pin, the capacitors should be placed in parallel starting with the lowest value capacitor closest to the pin.

RTC Crystal Guidelines

The internal low-power RTC oscillator minimizes power consumption and maximizes battery life. The RTC crystal must be designed to reach its nominal frequency with 6pF (called C_L or C_{L_XTAL} in the [Electrical Characteristics](#) table) of load capacitance. Crystals designed for values of C_{L_XTAL} greater than 6pF are not supported. Crystal load capacitors are electrically in series across the crystal, so the correct value of total pad and trace capacitance for a "6pF crystal" is 12pF per terminal. The RTC in the MAX32690 includes integrated load capacitors. External load capacitors are not required for RTC operation.

A digital trim feature can compensate for RTC inaccuracies of up to ± 127 ppm when compared against an external reference clock. Refer to the [MAX32690 User Guide](#) for details.

Although they are not required, customers can also tune the clock using external load capacitors. Final capacitor values must be determined after the PCB layout is complete. However, the low-power design of the RTC oscillator imposes a maximum of 12pF ($C_{PAD} + C_{STRAY} + C_{L_XTAL}$) total per pin.

If the RTC is unused, the preferred solution is to connect 32KIN to V_{SS} through a 1k Ω resistor. Cost or space-constrained designs can connect 32KIN directly to V_{SS} . The 32KOUT pin should be left unconnected.

GPIO Considerations

The GPIO pins default to input-enabled high impedance on POR, soft reset, system reset, and external reset. It is recommended that any unused pins are connected to V_{SS} through a 1k Ω resistor. Multiple GPIOs can be connected to V_{SS} through a single 1k Ω resistor. If unused GPIO pins are left unconnected and they float to the threshold of the input receiver, additional current is seen until software configures the pins.

USB Design Considerations

If USB is not used, the DP and DM signals should be left unconnected, V_{DDB} should be tied to V_{SS} through a 500 Ω resistor, and V_{SSB} (if available on the package) connected to V_{SS} .

The device does not provide a dedicated USB V_{BUS} detect pin, so the 3.3V V_{DDB} supply input serves as both the power supply for the embedded USB transceiver and the detect for the V_{BUS} signal. Voltage should be applied to the V_{DDB}

pin only while the V_{BUS} signal is present and removed whenever the V_{BUS} signal is not present. [Figure 9](#) and [Figure 10](#) suggests two solutions.

1. Power can be controlled by connecting a 3.3V LDO regulator between V_{BUS} and the V_{DDB} pin. The LDO requires a $1\mu\text{F}$ capacitor placed as close as possible to the LDO for proper operation. The $1\mu\text{F}$ capacitor can be omitted if the capacitor required by the USB specification is located close to the LDO.
2. V_{DDB} can be connected to a 3.3V supply through a load switch. The 5V-compatible enable of the load switch should be tied to V_{BUS} . A $10\text{k}\Omega$ resistor between V_{BUS} and V_{SS} is required to discharge the capacitance on V_{BUS} for the load switch enable.

In any implementation, bypass the V_{DDB} signal to V_{SSB} (or V_{SS} , if V_{SSB} is not pinned out) through an additional $1\mu\text{F}$ capacitor placed as close as possible to the V_{DDB} pin.

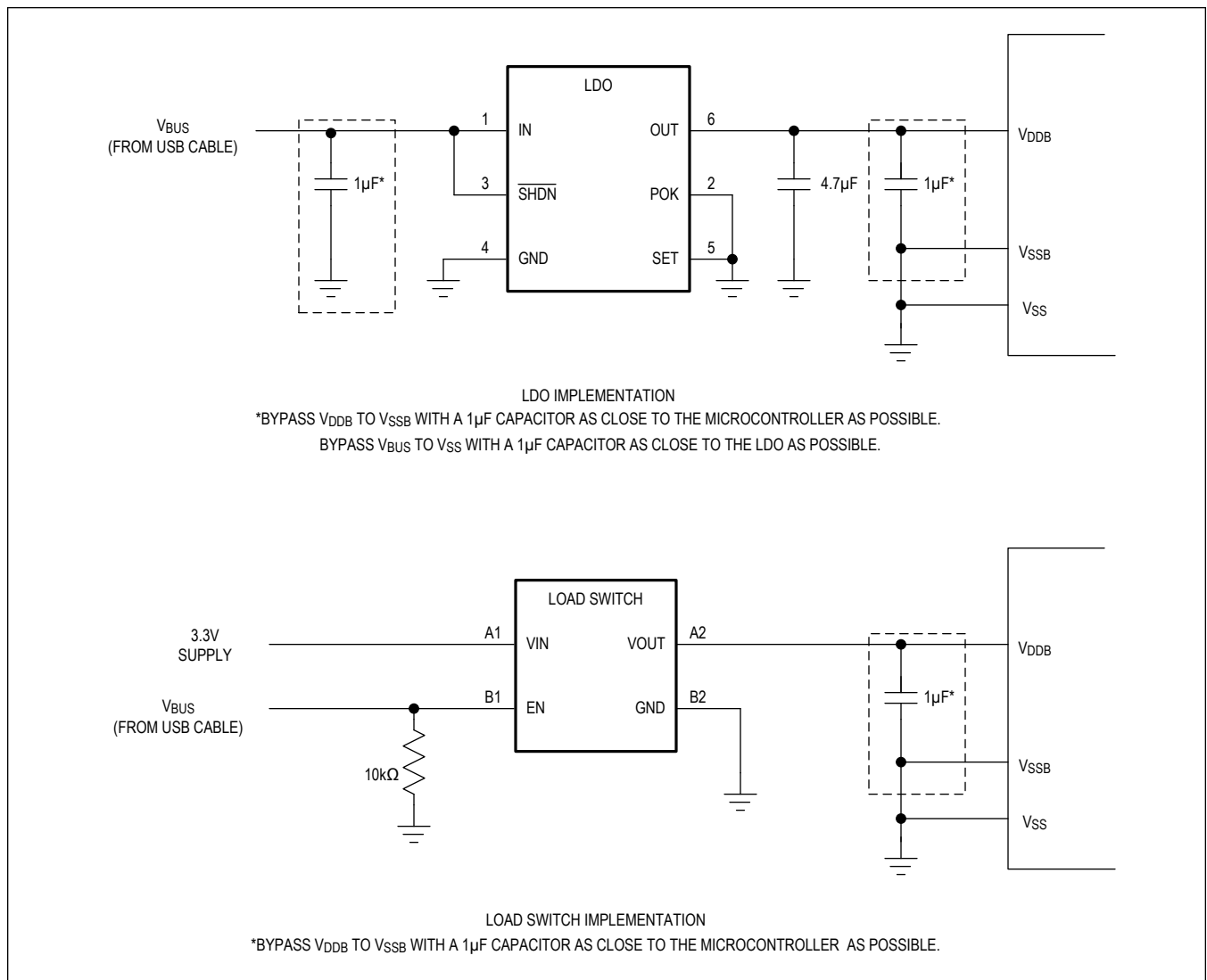


Figure 9. V_{DDB} Signal Implementation, 140-Bump WLP and 144-Ball CTBGA

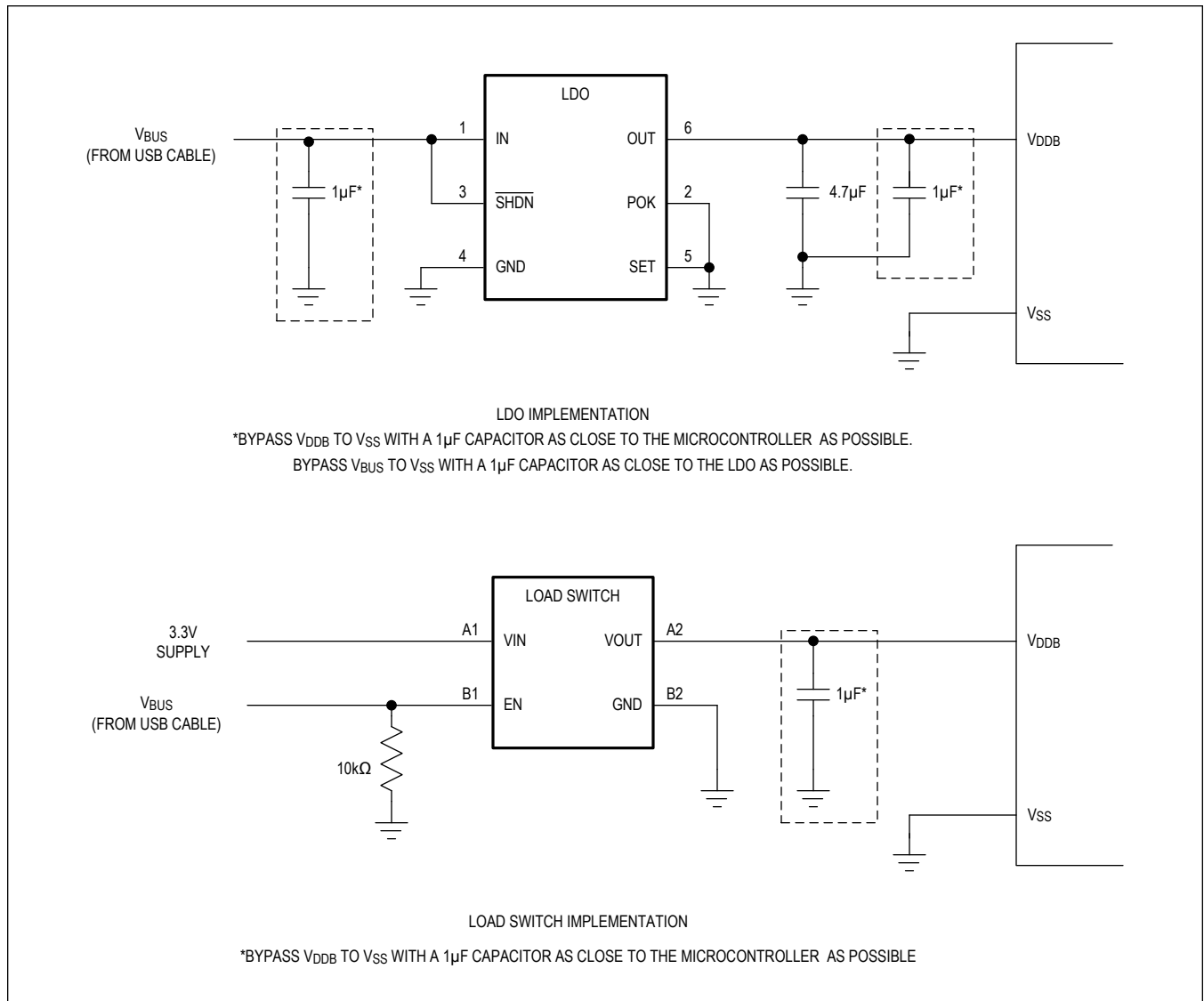


Figure 10. V_{DDB} Signal Implementation, 68-Pin TQFN

Bluetooth Design Considerations

Transmitted Spurious Emissions

Various local regulatory agencies can impose limits on transmitted spurious emissions. At a maximum output power of +4.5dBm, compliance with local regulations can require either an antenna with at least 6dB rejection at the 7.2GHz third harmonic or the use of a low-pass filter network between the device RF port and antenna. The MAX32690 is designed with an on-chip matching network providing a 50Ω impedance at the ANT device pin. Filter design must match this impedance for best efficiency. Refer to the [MAX32690 Evaluation Kit Data Sheet](#) for additional layout and design considerations.

Bootloader Activation

The SCPBL can use the interfaces shown in [Table 10](#).

Table 10. Bootloader Activation Summary

PART NUMBER	BOOTLOADER INTERFACE		DEFAULT STIMULUS PIN
	UART	USB	
MAX32690GTKBL MAX32690GWEBL MAX32690EXEBL	LPUART0B_RX LPUART0B_TX RSTN	DP DM RSTN	P4.0 (ACTIVE LOW)

On devices that support SCPBL, the SCPBL is activated following any reset or exiting certain low-power modes if the assigned stimulus pin is asserted. The design must ensure that the desired bootloader interface and stimulus pin is accessible by the host or the SCPBL cannot be activated. A different stimulus pin can be assigned once an SCPBL session has been started.

The RSTN signal must also be accessible by the host for initial synchronization with the SCPBL.

Typical Fixed Current Consumption Temperature Variance**ACTIVE Mode****Table 11. Fixed V_{CORE} Current Consumption ACTIVE Mode**

PARAMETER	SYMBOL	CONDITIONS	TYPICAL					UNITS
			-40°C	+25°C	+55°C	+85°C	+105°C	
V_{CORE} Current, ACTIVE Mode	I_{CORE_FACT}	Fixed, IPO enabled, ISO enabled, total current into V_{CORE} pin, $V_{CORE} = 1.1V$, CM4 in ACTIVE mode 0MHz, RV32 in ACTIVE mode 0MHz; inputs tied to V_{SS} , V_{DDIO} , or V_{DDIOH} ; outputs source/sink 0mA, V_{CORE} and V_{DDA} voltage monitors enabled	1	1.8	3.1	6	8.1	mA

ACTIVE Mode**Table 12. Fixed V_{DDA} Current Consumption ACTIVE Mode**

PARAMETER	SYMBOL	CONDITIONS	TYPICAL					UNITS
			-40°C	+25°C	+55°C	+85°C	+105°C	
V_{DDA} Fixed Current, ACTIVE Mode	I_{DDA_FACT}	Fixed, IPO enabled, total current into V_{DDA} pins, $V_{DDA} = 1.8V$, CM4 in ACTIVE mode 0MHz execution, RV32 in ACTIVE mode 0MHz execution; inputs tied to V_{SS} , V_{DDIO} , or V_{DDIOH} ; outputs source/sink 0mA, V_{CORE} and V_{DDA} voltage monitors enabled	370	400	430	450	445	μA

Fixed SLEEP Mode**Table 13. Fixed V_{CORE} Current Consumption SLEEP Mode**

PARAMETER	SYMBOL	COMMON CONDITIONS	TYPICAL					UNITS
			-40°C	+25°C	+55°C	+85°C	+105°C	
V_{CORE} Fixed Current, SLEEP Mode	I_{CORE_FSLP}	Fixed, IPO enabled, ISO enabled, total current into V_{CORE} pins, $V_{CORE} = 1.1V$, CM4 in SLEEP mode, RV32 in SLEEP mode; inputs tied to V_{SS} , V_{DDIO} , or V_{DDIOH} ; outputs source/sink 0mA	2.9	3.7	5	7.9	10	mA

Fixed SLEEP Mode**Table 14. Fixed V_{DDA} Current Consumption SLEEP Mode**

PARAMETER	SYMBOL	CONDITIONS	TYPICAL					UNITS
			-40°C	+25°C	+55°C	+85°C	+105°C	
V_{DDA} Fixed Current, SLEEP Mode	I_{DDA_FSLP}	Fixed, IPO enabled, $f_{SYS_CLK} = 120\text{MHz}$, total current into V_{DDA} pins, CM4 in SLEEP mode, RV32 in SLEEP mode, standard DMA with two channels active	370	400	430	450	445	μA

Fixed LOW POWER Mode**Table 15. Fixed V_{CORE} Current Consumption LOW POWER Mode**

PARAMETER	SYMBOL	CONDITIONS	TYPICAL					UNITS
			-40°C	+25°C	+55°C	+85°C	+105°C	
V_{CORE} Fixed Current, LOW POWER Mode	I_{CORE_FLP}	Fixed, ISO enabled, total current into V_{CORE} pins, $V_{CORE} = 1.1\text{V}$, CM4 powered off, RV32 in ACTIVE mode 0MHz; inputs tied to V_{SS} , V_{DDIO} , or V_{DDIOH} ; outputs source/sink 0mA	0.65	1	1.6	2.9	3.9	mA

Fixed LOW POWER Mode**Table 16. Fixed V_{DDA} Current Consumption LOW POWER Mode**

PARAMETER	SYMBOL	COMMON CONDITIONS	TYPICAL					UNITS
			-40°C	+25°C	+55°C	+85°C	+105°C	
V_{DDA} Fixed Current LOW POWER Mode	I_{DDA_FLP}	Standby state with full data retention, V_{CORE} and V_{DDA} voltage monitors enabled	50	54	57	60	61	μA

Fixed STANDBY Mode**Table 17. Fixed V_{CORE} Current Consumption STANDBY Mode**

PARAMETER	SYMBOL	CONDITIONS	TYPICAL					UNITS
			-40°C	+25°C	+55°C	+85°C	+105°C	
V_{CORE} Fixed Current, STANDBY Mode	I_{CORE_STBY}	Fixed, total current into V_{CORE} pins, $V_{CORE} = 1.1\text{V}$; inputs tied to V_{SS} , V_{DDIO} , or V_{DDIOH} ; outputs source/sink 0mA	0.28	0.61	1.7	5.3	9	μA

Fixed STANDBY Mode**Table 18. Fixed V_{DDA} Current Consumption STANDBY Mode**

PARAMETER	SYMBOL	CONDITIONS	TYPICAL					UNITS
			-40°C	+25°C	+55°C	+85°C	+105°C	
V_{DDA} Fixed Current, STANDBY Mode	I_{DDA_STBY}	Fixed, total current into V_{DDA} pins, $V_{DDA} = 1.8\text{V}$; inputs tied to V_{SS} , V_{DDIO} , or V_{DDIOH} ; outputs source/sink 0mA	8.2	23	61	170	275	μA

Fixed BACKUP Mode

Table 19. Fixed V_{DDA} Current Consumption BACKUP Mode

PARAMETER	SYMBOL	COMMON CONDITIONS	CONDITIONS	TYPICAL					UNITS
				-40°C	+25°C	+55°C	+85°C	+105°C	
V _{DDA} Fixed Current, BACKUP Mode	I _{DDA_BKU}	Total current into V _{DDA} pins, V _{DDA} = 1.8V, RTC disabled; inputs tied to V _{SS} , V _{DDIO} , or V _{DDIOH} ; outputs source/sink 0mA	All SRAM retained	7.4	17	42	120	190	μA
			No SRAM retention	1.7	2.5	4.1	7.9	11.5	μA

Fixed BACKUP Mode

Table 20. Fixed V_{CORE} Current Consumption BACKUP Mode

PARAMETER	SYMBOL	CONDITIONS	TYPICAL					UNITS
			-40°C	+25°C	+55°C	+85°C	+105°C	
V _{CORE} Fixed Current, BACKUP Mode	I _{CORE_BKU}	V _{CORE} = 1.1V	0.29	0.695	2	6.6	11	μA

Ordering Information

PART NUMBER	SCPBL	SPIXR/ SPIXF	TMR	LPTMR	I ² C	SPI	PT	CMP	EXTERNAL ADC INPUTS	UART	GPIO	PIN- PACKAGE
MAX32690GTK+	No	No	3	1	2	1*	15	1	3	2	38	68 TQFN-EP, 8mm x 8mm, 0.4mm pitch
MAX32690GTK+T	No	No	3	1	2	1*	15	1	3	2	38	68 TQFN-EP, 8mm x 8mm, 0.4mm pitch
MAX32690GTKBL+	Yes	No	3	1	2	1*	15	1	3	2	38	68 TQFN-EP, 8mm x 8mm, 0.4mm pitch
MAX32690GTKBL+T	Yes	No	3	1	2	1*	15	1	3	2	38	68 TQFN-EP, 8mm x 8mm, 0.4mm pitch
MAX32690GWE+	No	Yes	4	2	3	5	16	4	8	3	104	140 WLP, 4.5mm x 4.5mm, 0.35mm pitch
MAX32690GWE+T	No	Yes	4	2	3	5	16	4	8	3	104	140 WLP, 4.5mm x 4.5mm, 0.35mm pitch
MAX32690GWEBL+	Yes	Yes	4	2	3	5	16	4	8	3	104	140 WLP, 4.5mm x 4.5mm, 0.35mm pitch
MAX32690GWEBL+T	Yes	Yes	4	2	3	5	16	4	8	3	104	140 WLP, 4.5mm x 4.5mm, 0.35mm pitch
MAX32690EXE+	No	Yes	4	2	3	5	16	4	8	3	104	144 CTBGA, 10mm x 10mm, 0.8mm pitch
MAX32690EXE+T	No	Yes	4	2	3	5	16	4	8	3	104	144 CTBGA, 10mm x 10mm, 0.8mm pitch

PART NUMBER	SCPBL	SPIXR/ SPIXF	TMR	LPTMR	I ² C	SPI	PT	CMP	EXTERNAL ADC INPUTS	UART	GPIO	PIN- PACKAGE
MAX32690EXEBL+	Yes	Yes	4	2	3	5	16	4	8	3	104	144 CTBGA, 10mm x 10mm, 0.8mm pitch
MAX32690EXEBL+T	Yes	Yes	4	2	3	5	16	4	8	3	104	144 CTBGA, 10mm x 10mm, 0.8mm pitch

All packages contain USB 2.0 device, CAN 2.0B, Bluetooth 5.2, HyperBus, LPUART, OWM, PUF, temperature sensor, and I²S.

CMP = Comparators; PT = Pulse Train; TMR = Timer; LPTMR = Low-Power Timer; SPIXR = SPI Execute-in-Place RAM;

SPIXF = SPI Execute-in-Place Flash; SCPBL = Secure Communications Protocol Bootloader; PUF = Physically Unclonable Function

I²S = Integrated Inter-IC Sound Bus Interface; SPI = serial peripheral interface; I²C = Inter-Integrated Circuit Interface;

UART = universal asynchronous receiver-transmitter; LPUART = low-power UART; WDT = watchdog timer; GPIO = general-purpose I/O pins

* The 68 TQFN-EP package only supports controller mode for SPI.

+ Denotes a lead(Pb)-free/RoHS-compliant package.

T = Tape and reel

Arm and Cortex are registered trademarks of Arm Limited.

Bluetooth is a registered trademark of Bluetooth SIG, Inc.

CoreMark is a registered trademark of Embedded Microprocessor Benchmark Consortium Corporation.

Cypress is a registered trademark of Cypress Semiconductor Corp.

HyperBus, HyperFlash, HyperRAM, and Spansion are registered trademarks of Spansion Inc.

Packetcraft is a registered trademark of Packetcraft, Inc.

Xccela is a registered trademark of Micron Technology, Inc.

Revision History

REVISION NUMBER	REVISION DATE	DESCRIPTION	PAGES CHANGED
0	10/22	Release for market intro	—
1	5/23	Updated Benefits and Features, Simplified Block Diagram, Absolute Maximum Ratings, Electrical Characteristics, the 68 TQFN-EP Pin Descriptions, the 140 WLP Pin Descriptions, the Detailed Description, added USB Design Considerations, updated Bootloader Activation, Typical Fixed Current Consumption Temperature Variance, and removed future product from MAX32690GWE+ and MAX32690GWE+T in the Ordering Information table.	1–2, 8–13, 15–18, 20, 31–34, 36, 38–40, 45–46, 49–50, 52–55, 57–60, 61–63, 64–66, 67
2	8/25	Added 144 CTBGA Package - Absolute Maximum Ratings, Package Information, 144 CTBGA Pin Configuration, the 144 CTBGA Pin Descriptions, Ordering Information Table. Clarified RSTN causes a system reset, removed requirement for 32KIN/32KOUT capacitors and added information about RTC crystal selection. Updated block diagram. Updated V_{CORE} specification. Added Power Supply Considerations, GPIO Considerations, and Bluetooth Design Considerations sections. Updated ordering information table to show 2 I ² C and 1 SPI Controller for 68-TQFN. Added 144 CTBGA to first page and each instance table. Updated Absolute Maximum table for RSTN, GPIO. Updated P1.12 to show HYP_D0 as alternate function 3 in all packages. Added MAX32690EXEBL SCPBL parts to the ordering information table. Added temperature sensor and PUF support. Added support for flash as a DMA source. Corrected bootloader interface pins in Table 10. Bootloader Activation Summary	1, 2, 8, 9, 13–15, 20–26, 31–35, 38–42, 46–56, 58–76, 78
3	8/25	Added bootloader variant part numbers to Table 10 and Ordering Information table.	73, 76

Looking for pricing, stock, or lifecycle information?

Click below to explore more details on WIN SOURCE:

- ⊖ [View MAX32690EXEBL+T on WIN SOURCE](#)
- ⊖ [Analog Devices Inc. Information](#)

Optimize Your Supply Chain with WIN SOURCE Solutions

- ✓ Global Sourcing Solution
- ✓ Obsolete Management
- ✓ Cost Control Management
- ✓ Shortage Management
- ✓ Alternative Solution
- ✓ Excess Inventory Management