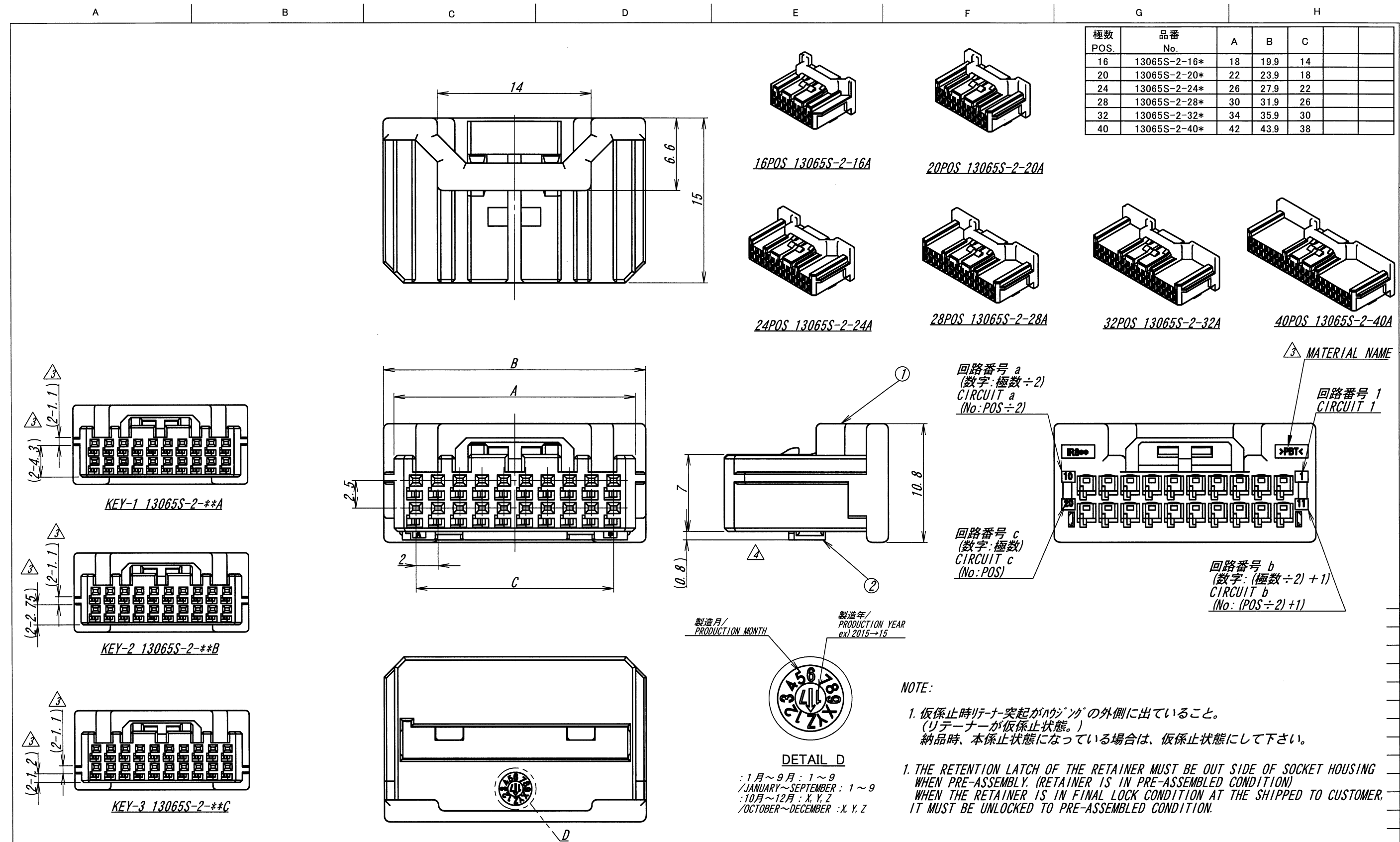




**THE DATASHEET OF
IIM-42653**





MATERIAL 材質					GENERAL TOLERANCES 一般公差		SCALE 尺度 NA		UNIT 単位 mm		TITLE 名称 13065 SERIES SOCKET HOUSING ASSEMBLY	
①SOCKET HOUSING : PBT樹脂, UL94 V0, 黒色/ PBT, UL94 V0, COLOR: BLACK					DIM 寸法 ± 0.3		DR '18/10/29 K. Meguro		DSN '17/09/20 T. Sakamoto		EDP No SHEET 1 OF 2	
②RETAINER : PBT樹脂, UL94 V0, ナチュラル/ PBT, UL94 V0, COLOR: NATURAL					ANGLE 角度 ± 3		CHK '18/10/29 T. Sakamoto		APP '17/9/20 J. Ma		PARTS No 部番 IMS-13065S-2-***	
FINISH 仕上げ					3RD. ANG. PROJ. 三角法		IRISO ELECTRONICS CO., LTD		DWG No 図番 110-413065-905		REV. 4	
REVISION RECORD							IRISO 電子工業株式会社					
LTR 記号	ECN No	REVISION RECORD 事	DR	CHK	DATE 年月日							

Looking for pricing, stock, or lifecycle information?

Click below to explore more details on WIN SOURCE:

 [View IIM-42653 on WIN SOURCE](#)

 [TDK InvenSense Information](#)

Optimize Your Supply Chain with WIN SOURCE Solutions

-  Global Sourcing Solution
-  Obsolete Management
-  Cost Control Management
-  Shortage Management
-  Alternative Solution
-  Excess Inventory Management