



**THE DATASHEET OF
LPS5030-123MRC**

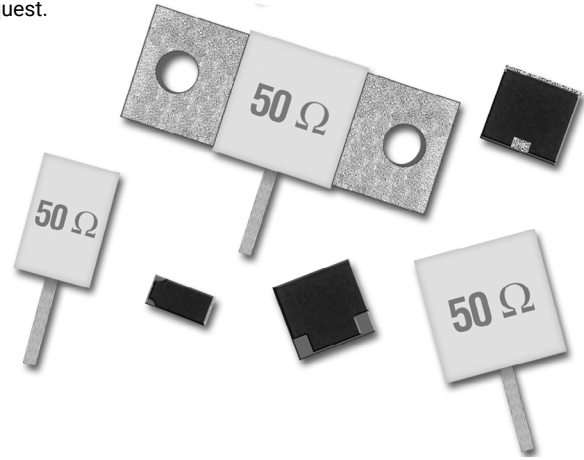


High Power Resistive Products

Flange Mount Terminations - FT Series

ELECTRICAL SPECIFICATIONS

- **Nominal Impedance:** 50ohm standard. Values from 10 to 200 Ω available upon request.
- **Tolerance:** $\pm 5\%$ standard. Additional tolerances available. (Refer to How To Order)
- **Power:** 10 - 250 Watts
- **Operating Temperature Range:** -55°C to $+150^{\circ}\text{C}$
- **Temperature Coefficient:** < 150 ppm/ $^{\circ}\text{C}$
- **Low VSWR**



MECHANICAL SPECIFICATIONS

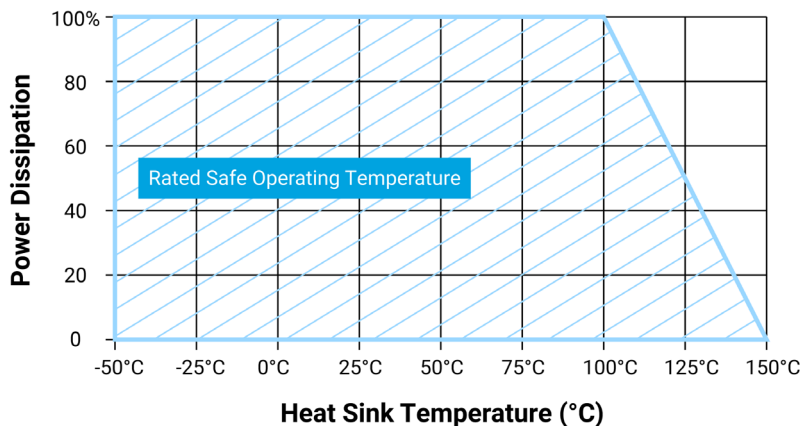
- **Package:** Flanged
- **Process:** Thin Film
- **Resistive Elements:** Tantalum Nitride
- **Substrate Material:** Aluminum Nitride
- **Leads:** 99.99% Pure Silver
- **Cover:** Alumina
- **Mechanical Tolerance:** ± 0.005
- **RoHS Compliant**



HOW TO ORDER

FT1	0300	N	0050	J	BK						
Case Style	Case Size	Termination	Value	Tolerance	Packaging						
		N = Nickel Flange (See Note Below for Additional Options)	Impedance in Ω Example: 0050 = 50 Ω 0100 = 100 Ω 25R5 = 25.5 Ω	<table border="1"> <thead> <tr> <th>Code</th> <th>Tol.</th> </tr> </thead> <tbody> <tr> <td>G*</td> <td>$\pm 2\%$</td> </tr> <tr> <td>J</td> <td>$\pm 5\%$</td> </tr> </tbody> </table>	Code	Tol.	G*	$\pm 2\%$	J	$\pm 5\%$	BK = Plastic Carrier
Code	Tol.										
G*	$\pm 2\%$										
J	$\pm 5\%$										
				*Consult Factory							

POWER DERATING



Note: Special Order Terminations:
P = Pd over Ni Flange
S = Ag over Ni Flange
Pricing, lead times, and MOQ's vary

High Power Resistive Products

Flange Mount Terminations - FT Series

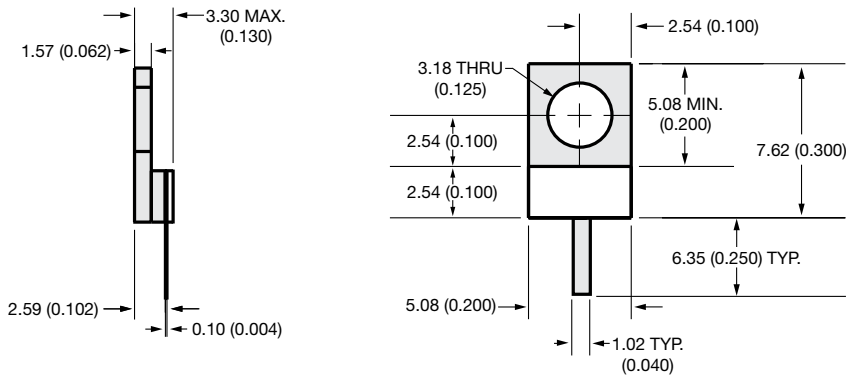
P/N: FT10302N0050J

ELECTRICAL SPECIFICATIONS

- **Nominal Impedance:** 50ohm standard.
(DC Resistance may differ from selected impedance)
- **Tolerance:** ±5% standard. Additional tolerances available.
(Refer to How To Order)
- **Frequency*:** DC to 18 GHz
- **VSWR*:** 1.15:1 @ 15 GHz, 1.25:1 @ 18 GHz (typ.)
- **Operating Temperature Range:** -55°C to +150°C
- **Temperature Coefficient:** <150 ppm/°C
- **Power:** 20 Watts



*Value based upon a 50 Ω impedance



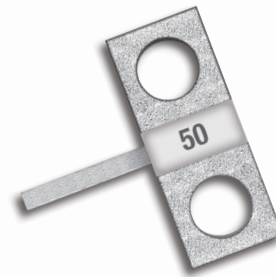
Dimensions are in mm (inches)

MECHANICAL TOLERANCE
±0.127 (0.005) unless otherwise specified

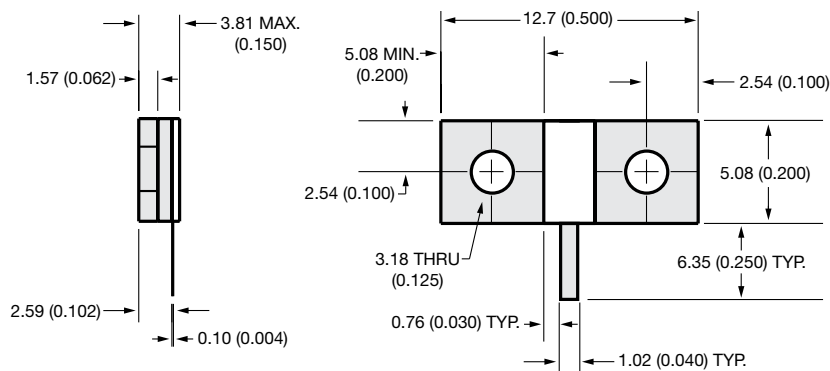
P/N: FT10500N0050J

ELECTRICAL SPECIFICATIONS

- **Nominal Impedance:** 50ohm standard.
(DC Resistance may differ from selected impedance)
- **Tolerance:** ±5% standard. Additional tolerances available.
(Refer to How To Order)
- **Frequency*:** DC to 6.0 GHz
- **VSWR*:** 1.15:1 @ 4 GHz, 1.25:1 @ 6 GHz (typ.)
- **Operating Temperature Range:** -55°C to +150°C
- **Temperature Coefficient:** <150 ppm/°C
- **Power:** 25 Watts



*Value based upon a 50 Ω impedance



Dimensions are in mm (inches)

MECHANICAL TOLERANCE
±0.127 (0.005) unless otherwise specified

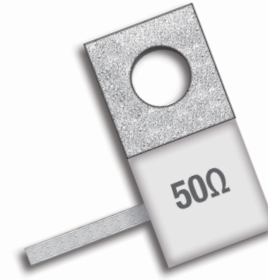
High Power Resistive Products

Flange Mount Terminations - FT Series

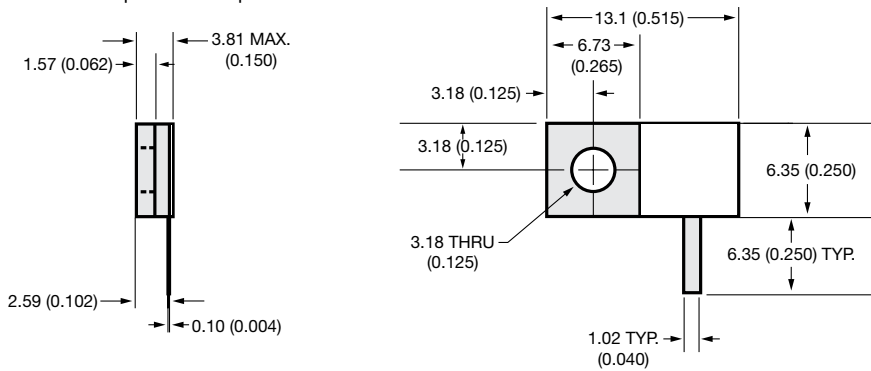
P/N: FT10515N0050J

ELECTRICAL SPECIFICATIONS

- **Nominal Impedance:** 50ohm standard.
(DC Resistance may differ from selected impedance)
- **Tolerance:** ±5% standard. Additional tolerances available.
(Refer to How To Order)
- **Frequency*:** DC to 6.0 GHz
- **VSWR*:** 1.20:1 @ 4 GHz, 1.30:1 @ 6 GHz (typ.)
- **Operating Temperature Range:** -55°C to +150°C
- **Temperature Coefficient:** <150 ppm/°C
- **Power:** 60 Watts



*Value based upon a 50 Ω impedance



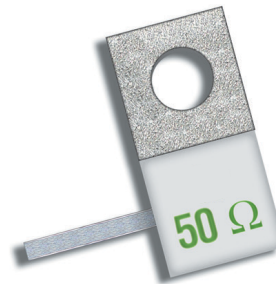
MECHANICAL TOLERANCE

±0.127 (0.005) unless otherwise specified

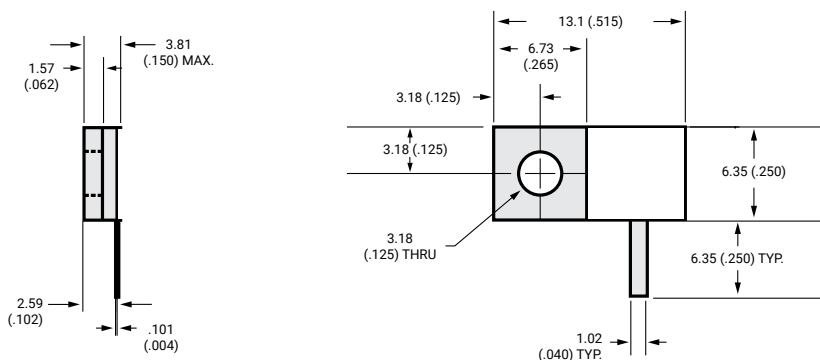
P/N: FT10515N0050J01

ELECTRICAL SPECIFICATIONS

- **Nominal Impedance:** 50ohm standard.
(DC Resistance may differ from selected impedance)
- **Tolerance:** ±5% standard. Additional tolerances available.
(Refer to How To Order)
- **Frequency*:** DC to 2.5 GHz
- **VSWR*:** 1.15:1 (typ.)
- **Operating Temperature Range:** -55°C to +150°C
- **Temperature Coefficient:** <150 ppm/°C
- **Power:** 100 Watts



*Value based upon a 50 Ω impedance



MECHANICAL TOLERANCE

±0.127 (0.005) unless otherwise specified

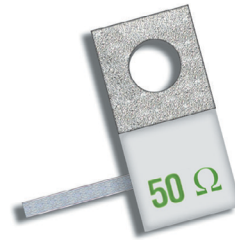
High Power Resistive Products

Flange Mount Terminations - FT Series

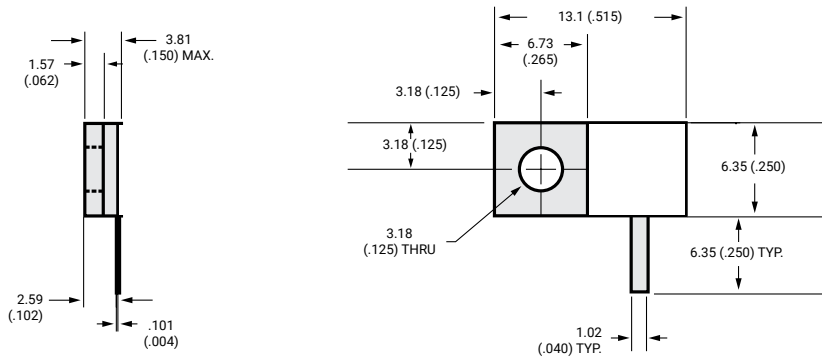
P/N: FT10515N0050J02

ELECTRICAL SPECIFICATIONS

- **Nominal Impedance:** 50ohm standard.
(DC Resistance may differ from selected impedance)
- **Tolerance:** ±5% standard. Additional tolerances available.
(Refer to How To Order)
- **Frequency*:** DC to 4 GHz
- **VSWR*:** 1.20:1 (typ.)
- **Operating Temperature Range:** -55°C to +150°C
- **Temperature Coefficient:** <150 ppm/°C
- **Power:** 100 Watts



*Value based upon a 50 Ω impedance



Dimensions are in mm (inches)

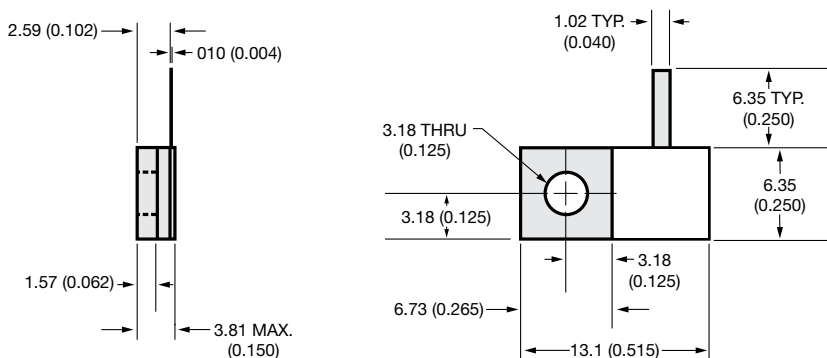
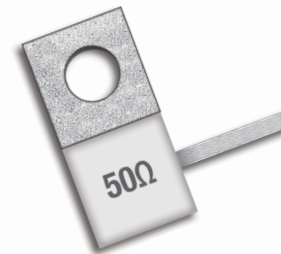
MECHANICAL TOLERANCE

±0.127 (0.005) unless otherwise specified

P/N: FT10516N0050J

ELECTRICAL SPECIFICATIONS

- **Nominal Impedance:** 50ohm standard.
(DC Resistance may differ from selected impedance)
- **Tolerance:** ±5% standard. Additional tolerances available.
(Refer to How To Order)
- **Frequency*:** DC to 6 GHz
- **VSWR*:** 1.20:1 @ 4 GHz, 1.30:1 @ 6 GHz (typ.)
- **Operating Temperature Range:** -55°C to +150°C
- **Temperature Coefficient:** <150 ppm/°C
- **Power:** 60 Watts



Dimensions are in mm (inches)

MECHANICAL TOLERANCE

±0.127 (0.005) unless otherwise specified

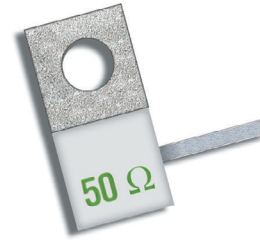
High Power Resistive Products

Flange Mount Terminations - FT Series

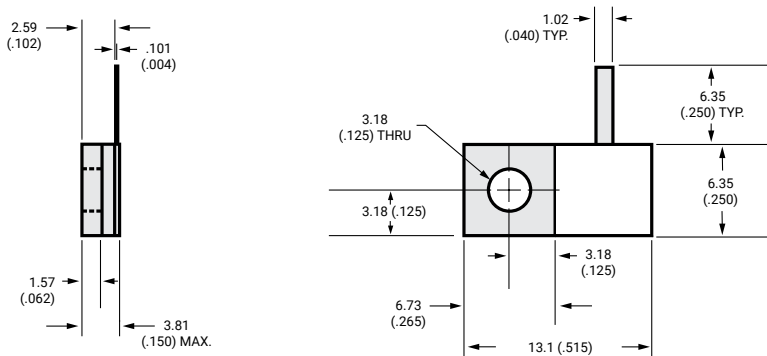
P/N: FT10516N0050J01

ELECTRICAL SPECIFICATIONS

- **Nominal Impedance:** 50ohm standard.
(DC Resistance may differ from selected impedance)
- **Tolerance:** ±5% standard. Additional tolerances available.
(Refer to How To Order)
- **Frequency*:** DC to 2.5 GHz
- **VSWR*:** 1.15:1 (typ.)
- **Operating Temperature Range:** -55°C to +150°C
- **Temperature Coefficient:** <150 ppm/°C
- **Power:** 100 Watts



*Value based upon a 50 Ω impedance



Dimensions are in mm (inches)

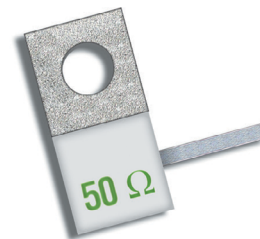
MECHANICAL TOLERANCE

±0.127 (0.005) unless otherwise specified

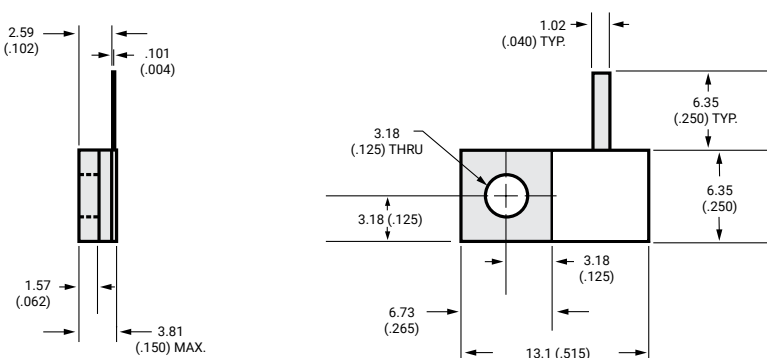
P/N: FT10516N0050J02

ELECTRICAL SPECIFICATIONS

- **Nominal Impedance:** 50ohm standard.
(DC Resistance may differ from selected impedance)
- **Tolerance:** ±5% standard. Additional tolerances available.
(Refer to How To Order)
- **Frequency*:** DC to 4 GHz
- **VSWR*:** 1.20:1 (typ.)
- **Operating Temperature Range:** -55°C to +150°C
- **Temperature Coefficient:** <150 ppm/°C
- **Power:** 100 Watts



*Value based upon a 50 Ω impedance



Dimensions are in mm (inches)

MECHANICAL TOLERANCE

±0.127 (0.005) unless otherwise specified

High Power Resistive Products

Flange Mount Terminations - FT Series

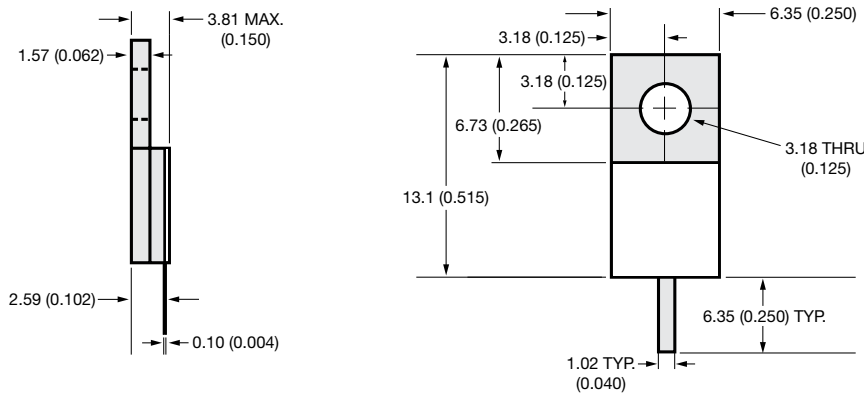
P/N: FT10517N0050J

ELECTRICAL SPECIFICATIONS

- **Nominal Impedance:** 50ohm standard.
(DC Resistance may differ from selected impedance)
- **Tolerance:** ±5% standard. Additional tolerances available.
(Refer to How To Order)
- **Frequency*:** DC to 4 GHz
- **VSWR*:** 1.20:1 @ 4 GHz, 1.30:1 @ 6 GHz (typ.)
- **Operating Temperature Range:** -55°C to +150°C
- **Temperature Coefficient:** <150 ppm/°C
- **Power:** 60 Watts



*Value based upon a 50 Ω impedance



Dimensions are in mm (inches)

MECHANICAL TOLERANCE

±0.127 (0.005) unless otherwise specified

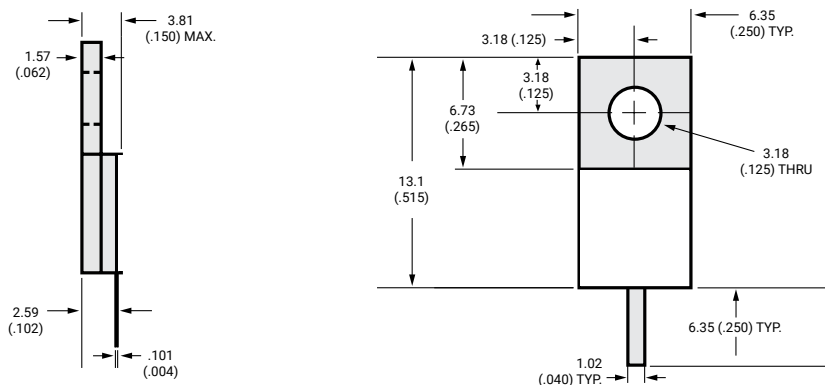
P/N: FT10517N0050J01

ELECTRICAL SPECIFICATIONS

- **Nominal Impedance:** 50ohm standard.
(DC Resistance may differ from selected impedance)
- **Tolerance:** ±5% standard. Additional tolerances available.
(Refer to How To Order)
- **Frequency*:** DC to 2.5 GHz
- **VSWR*:** 1.15:1 (typ.)
- **Operating Temperature Range:** -55°C to +150°C
- **Temperature Coefficient:** <150 ppm/°C
- **Power:** 100 Watts



*Value based upon a 50 Ω impedance



Dimensions are in mm (inches)

MECHANICAL TOLERANCE

±0.127 (0.005) unless otherwise specified

High Power Resistive Products

Flange Mount Terminations - FT Series

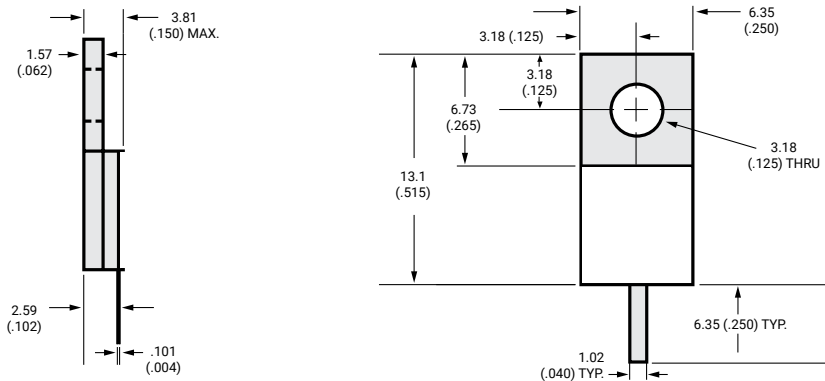
P/N: FT10517N0050J02

ELECTRICAL SPECIFICATIONS

- **Nominal Impedance:** 50ohm standard.
(DC Resistance may differ from selected impedance)
- **Tolerance:** ±5% standard. Additional tolerances available.
(Refer to How To Order)
- **Frequency*:** DC to 4 GHz
- **VSWR*:** 1.20:1 (typ.)
- **Operating Temperature Range:** -55°C to +150°C
- **Temperature Coefficient:** <150 ppm/°C
- **Power:** 100 Watts



*Value based upon a 50 Ω impedance



Dimensions are in mm (inches)

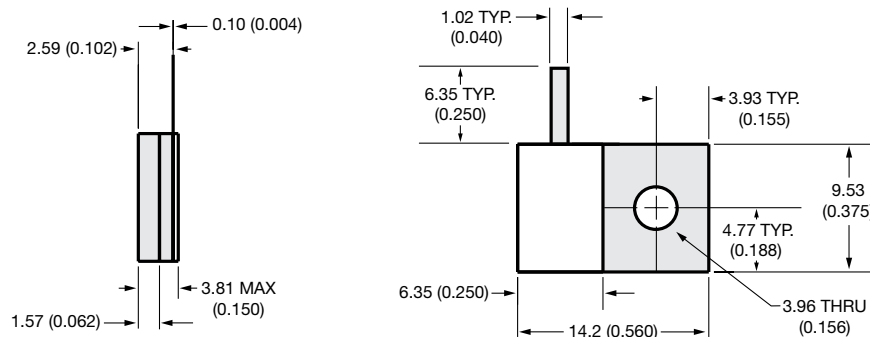
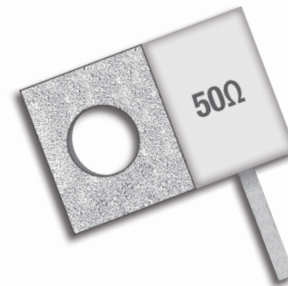
MECHANICAL TOLERANCE

±0.127 (0.005) unless otherwise specified

P/N: FT10560N0050J

ELECTRICAL SPECIFICATIONS

- **Nominal Impedance:** 50ohm standard.
(DC Resistance may differ from selected impedance)
- **Tolerance:** ±5% standard. Additional tolerances available.
(Refer to How To Order)
- **Frequency*:** DC to 4 GHz
- **VSWR*:** 1.25:1 (typ.)
- **Operating Temperature Range:** -55°C to +150°C
- **Temperature Coefficient:** <150 ppm/°C
- **Power:** 75 Watts



Dimensions are in mm (inches)

MECHANICAL TOLERANCE

±0.127 (0.005) unless otherwise specified

High Power Resistive Products

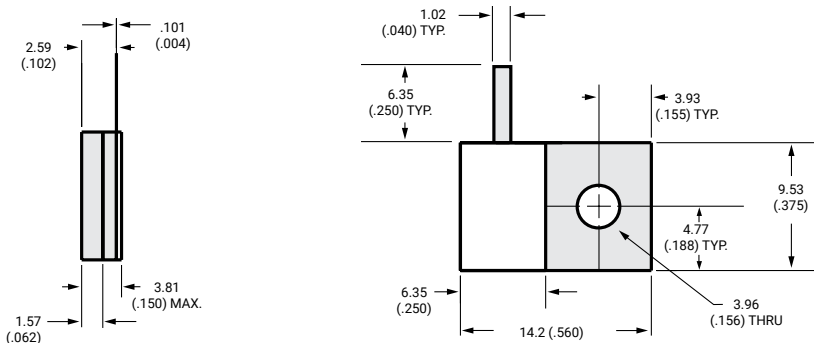
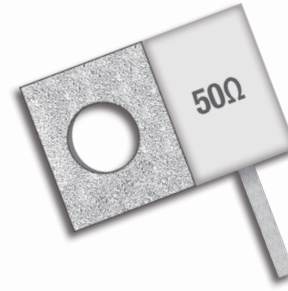
Flange Mount Terminations - FT Series

P/N: FT10560N0050J01

ELECTRICAL SPECIFICATIONS

- **Nominal Impedance:** 50ohm standard.
(DC Resistance may differ from selected impedance)
- **Tolerance:** ±5% standard. Additional tolerances available.
(Refer to How To Order)
- **Frequency*:** DC to 1.1 GHz
- **VSWR*:** 1.15:1 (typ.)
- **Operating Temperature Range:** -55°C to +150°C
- **Temperature Coefficient:** <150 ppm/°C
- **Power:** 100 Watts

*Value based upon a 50 Ω impedance



Dimensions are in mm (inches)

MECHANICAL TOLERANCE

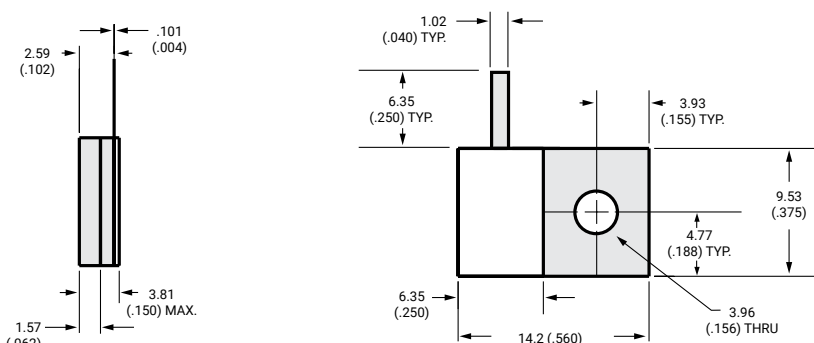
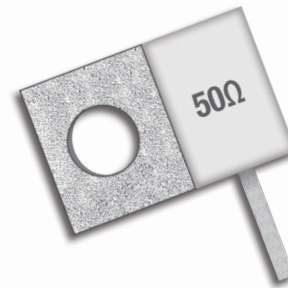
±0.127 (0.005) unless otherwise specified

P/N: FT10560N0050J02

ELECTRICAL SPECIFICATIONS

- **Nominal Impedance:** 50ohm standard.
(DC Resistance may differ from selected impedance)
- **Tolerance:** ±5% standard. Additional tolerances available.
(Refer to How To Order)
- **Frequency*:** DC to 2 GHz
- **VSWR*:** 1.20:1 (typ.)
- **Operating Temperature Range:** -55°C to +150°C
- **Temperature Coefficient:** <150 ppm/°C
- **Power:** 100 Watts

*Value based upon a 50 Ω impedance



Dimensions are in mm (inches)

MECHANICAL TOLERANCE

±0.127 (0.005) unless otherwise specified

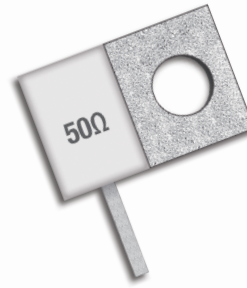
High Power Resistive Products

Flange Mount Terminations - FT Series

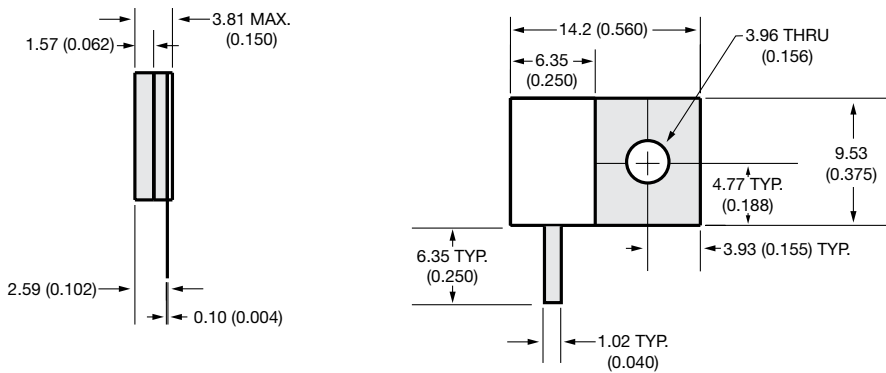
P/N: FT10561N0050J

ELECTRICAL SPECIFICATIONS

- **Nominal Impedance:** 50ohm standard.
(DC Resistance may differ from selected impedance)
- **Tolerance:** ±5% standard. Additional tolerances available.
(Refer to How To Order)
- **Frequency*:** DC to 4.0 GHz
- **VSWR*:** 1.25:1 (typ.)
- **Operating Temperature Range:** -55°C to +150°C
- **Temperature Coefficient:** <150 ppm/°C
- **Power:** 75 Watts



*Value based upon a 50 Ω impedance



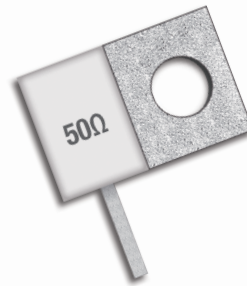
MECHANICAL TOLERANCE

±0.127 (0.005) unless otherwise specified

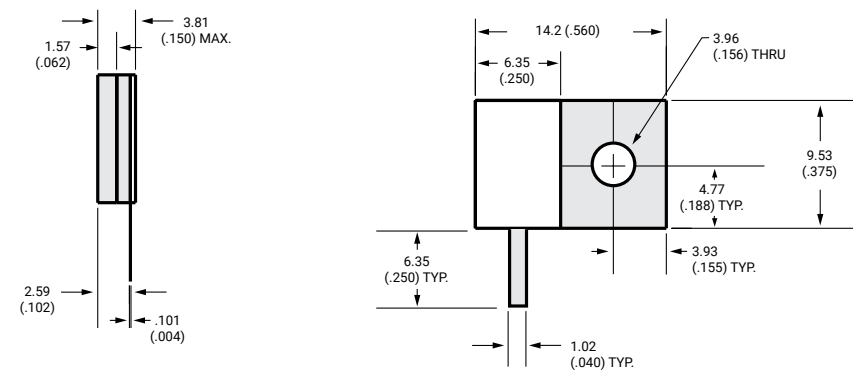
P/N: FT10561N0050J01

ELECTRICAL SPECIFICATIONS

- **Nominal Impedance:** 50ohm standard.
(DC Resistance may differ from selected impedance)
- **Tolerance:** ±5% standard. Additional tolerances available.
(Refer to How To Order)
- **Frequency*:** DC to 1.1 GHz
- **VSWR*:** 1.15:1 (typ.)
- **Operating Temperature Range:** -55°C to +150°C
- **Temperature Coefficient:** <150 ppm/°C
- **Power:** 100 Watts



*Value based upon a 50 Ω impedance



MECHANICAL TOLERANCE

±0.127 (0.005) unless otherwise specified

For Part Number Code, see page 14.

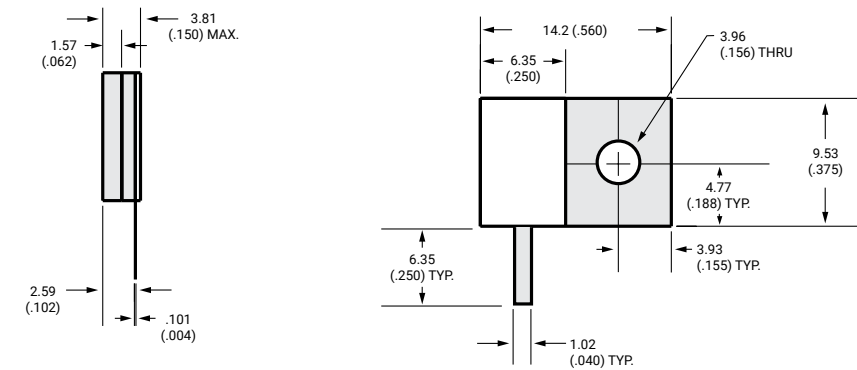
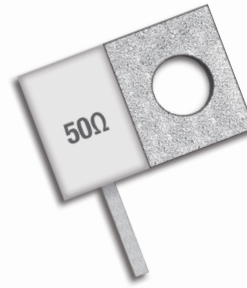
High Power Resistive Products

Flange Mount Terminations - FT Series

P/N: FT10561N0050J02

ELECTRICAL SPECIFICATIONS

- **Nominal Impedance:** 50ohm standard.
(DC Resistance may differ from selected impedance)
- **Tolerance:** ±5% standard. Additional tolerances available.
(Refer to How To Order)
- **Frequency*:** DC to 2 GHz
- **VSWR*:** 1.20:1 (typ.)
- **Operating Temperature Range:** -55°C to +150°C
- **Temperature Coefficient:** <150 ppm/°C
- **Power:** 100 Watts



Dimensions are in mm (inches)

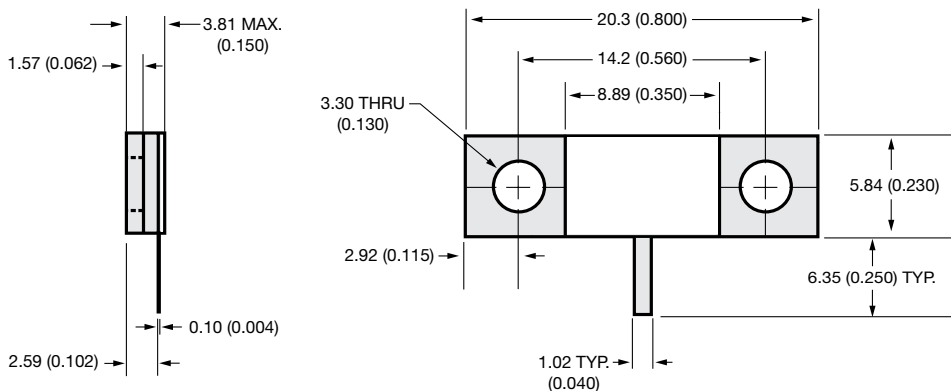
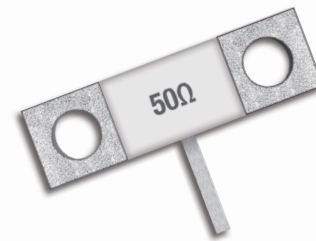
MECHANICAL TOLERANCE

±0.127 (0.005) unless otherwise specified

P/N: FT10800N0050J

ELECTRICAL SPECIFICATIONS

- **Nominal Impedance:** 50ohm standard.
(DC Resistance may differ from selected impedance)
- **Tolerance:** ±5% standard. Additional tolerances available.
(Refer to How To Order)
- **Frequency*:** DC to 6 GHz
- **VSWR*:** 1.10:1 @ 4.5 GHz, 1.18:1 @ 6.0GHz (typ.)
- **Operating Temperature Range:** -55°C to +150°C
- **Temperature Coefficient:** <150 ppm/°C
- **Power:** 50 Watts



Dimensions are in mm (inches)

MECHANICAL TOLERANCE

±0.127 (0.005) unless otherwise specified

High Power Resistive Products

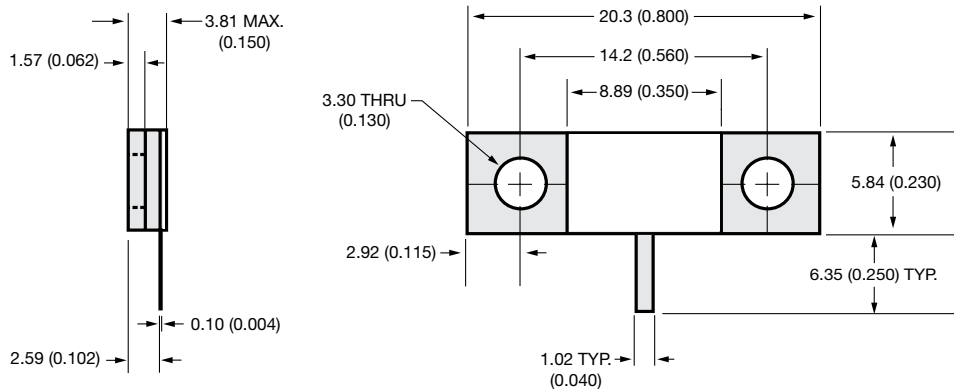
Flange Mount Terminations - FT Series

P/N: FT10800N0050J02

ELECTRICAL SPECIFICATIONS

- **Nominal Impedance:** 50ohm standard.
(DC Resistance may differ from selected impedance)
- **Tolerance:** ±5% standard. Additional tolerances available.
(Refer to How To Order)
- **Frequency*:** DC to 6 GHz
- **VSWR*:** 1.10:1 @ 4.5 GHz, 1.20:1 @ 6.0GHz (typ.)
- **Operating Temperature Range:** -55°C to +150°C
- **Temperature Coefficient:** <150 ppm/°C
- **Power:** 100 Watts

*Value based upon a 50 Ω impedance



Dimensions are in mm (inches)

MECHANICAL TOLERANCE

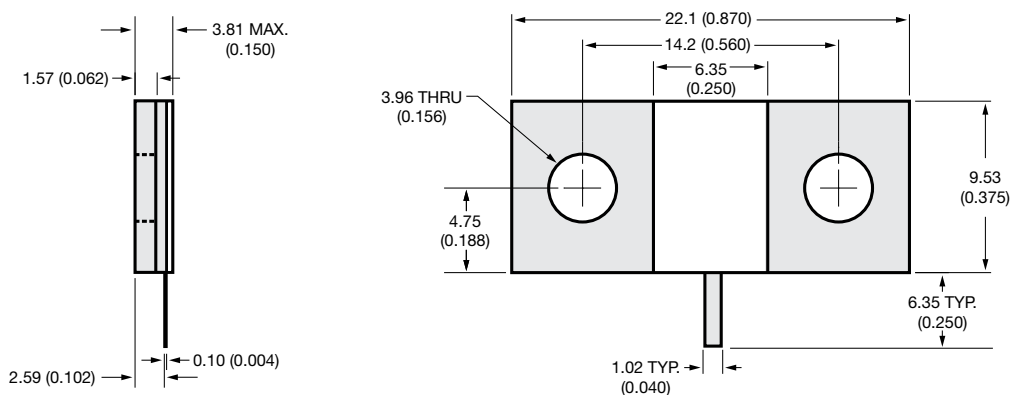
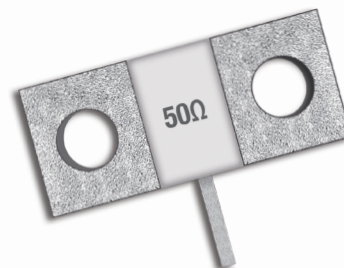
±0.127 (0.005) unless otherwise specified

P/N: FT10870N0050J

ELECTRICAL SPECIFICATIONS

- **Nominal Impedance:** 50ohm standard.
(DC Resistance may differ from selected impedance)
- **Tolerance:** ±5% standard. Additional tolerances available.
(Refer to How To Order)
- **Frequency*:** DC to 4.0 GHz
- **VSWR*:** 1.20:1 (typ.)
- **Operating Temperature Range:** -55°C to +150°C
- **Temperature Coefficient:** <150 ppm/°C
- **Power:** 100 Watts

*Value based upon a 50 Ω impedance



Dimensions are in mm (inches)

MECHANICAL TOLERANCE

±0.127 (0.005) unless otherwise specified

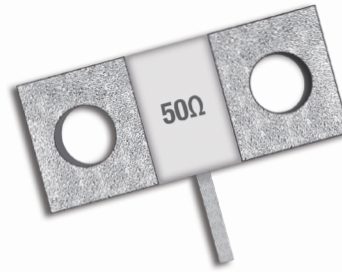
High Power Resistive Products

Flange Mount Terminations - FT Series

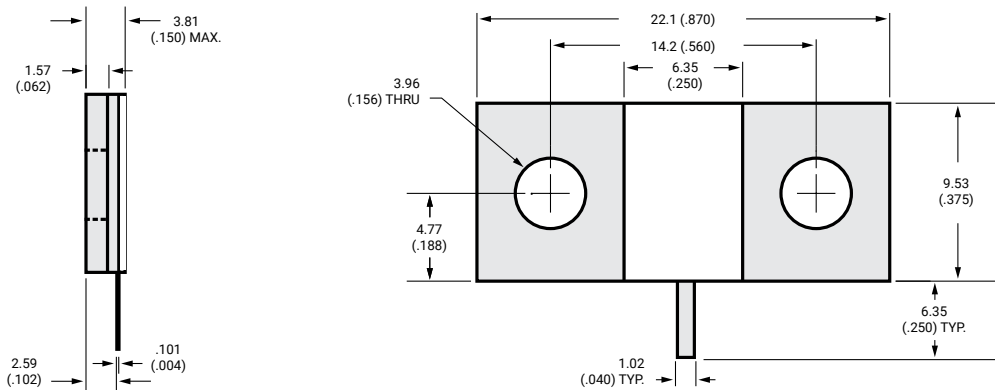
P/N: FT10870N0050J01

ELECTRICAL SPECIFICATIONS

- **Nominal Impedance:** 50ohm standard.
(DC Resistance may differ from selected impedance)
- **Tolerance:** ±5% standard. Additional tolerances available.
(Refer to How To Order)
- **Frequency*:** DC to 1.1 GHz
- **VSWR*:** 1.15:1 (typ.)
- **Operating Temperature Range:** -55°C to +150°C
- **Temperature Coefficient:** <150 ppm/°C
- **Power:** 150 Watts



*Value based upon a 50 Ω impedance



Dimensions are in mm (inches)

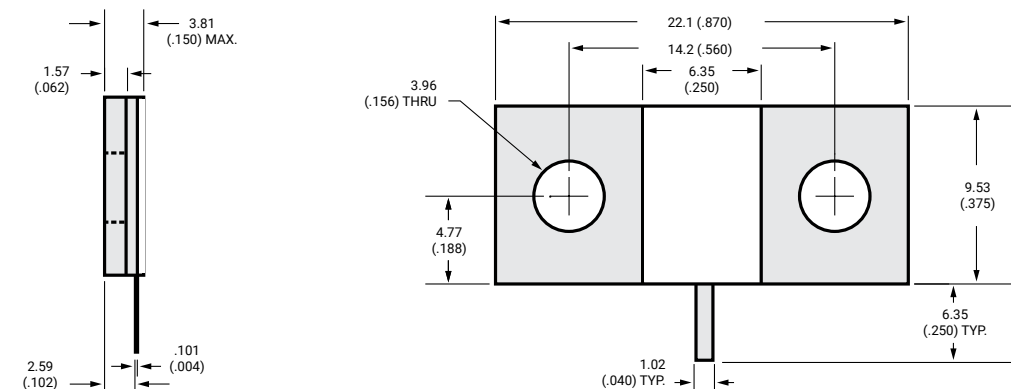
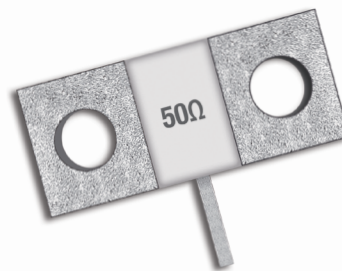
MECHANICAL TOLERANCE

±0.127 (0.005) unless otherwise specified

P/N: FT10870N0050J02

ELECTRICAL SPECIFICATIONS

- **Nominal Impedance:** 50ohm standard.
(DC Resistance may differ from selected impedance)
- **Tolerance:** ±5% standard. Additional tolerances available.
(Refer to How To Order)
- **Frequency*:** DC to 4 GHz
- **VSWR*:** 1.20:1 (typ.)
- **Operating Temperature Range:** -55°C to +150°C
- **Temperature Coefficient:** <150 ppm/°C
- **Power:** 150 Watts



Dimensions are in mm (inches)

MECHANICAL TOLERANCE

±0.127 (0.005) unless otherwise specified

High Power Resistive Products

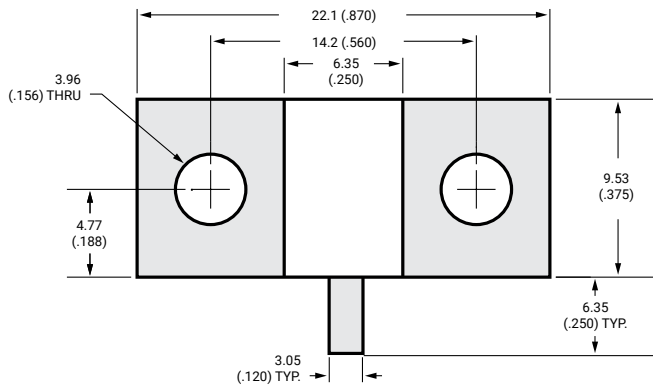
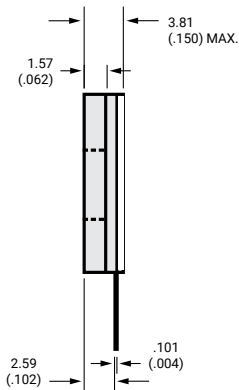
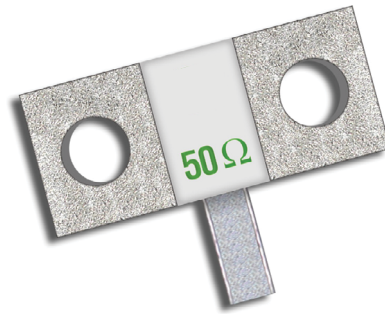
Flange Mount Terminations - FT Series

P/N: FT10870N0050J03

ELECTRICAL SPECIFICATIONS

- **Nominal Impedance:** 50ohm standard.
(DC Resistance may differ from selected impedance)
- **Tolerance:** ±5% standard. Additional tolerances available.
(Refer to How To Order)
- **Frequency*:** DC to 4 GHz
- **VSWR*:** 1.25:1 (typ.)
- **Operating Temperature Range:** -55°C to +150°C
- **Temperature Coefficient:** <150 ppm/°C
- **Power:** 150 Watts

*Value based upon a 50 Ω impedance



MECHANICAL TOLERANCE

±0.127 (0.005) unless otherwise specified

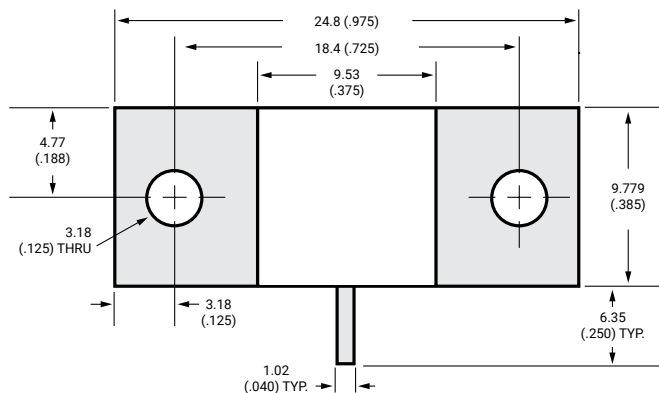
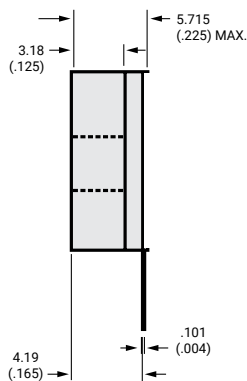
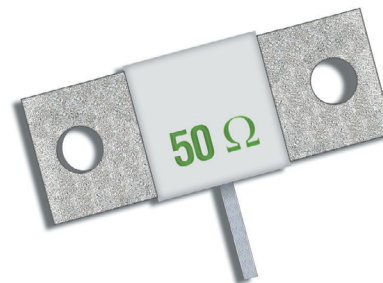
Dimensions are in mm (inches)

P/N: FT10975N0050JBK

ELECTRICAL SPECIFICATIONS

- **Nominal Impedance:** 50ohm standard.
(DC Resistance may differ from selected impedance)
- **Tolerance:** ±5% standard. Additional tolerances available.
(Refer to How To Order)
- **Frequency*:** DC to 2.2 GHz
- **VSWR*:** 1.20:1 @ 2 GHz, 1.30:1 @ 2.2 GHz (typ.)
- **Operating Temperature Range:** -55°C to +150°C
- **Temperature Coefficient:** <150 ppm/°C
- **Power:** 200 Watts

*Value based upon a 50 Ω impedance



MECHANICAL TOLERANCE

±0.127 (0.005) unless otherwise specified

Dimensions are in mm (inches)

Looking for pricing, stock, or lifecycle information?

Click below to explore more details on WIN SOURCE:

 [View LPS5030-123MRC on WIN SOURCE](#)

 [Coilcraft Information](#)

Optimize Your Supply Chain with WIN SOURCE Solutions

-  Global Sourcing Solution
-  Obsolete Management
-  Cost Control Management
-  Shortage Management
-  Alternative Solution
-  Excess Inventory Management