

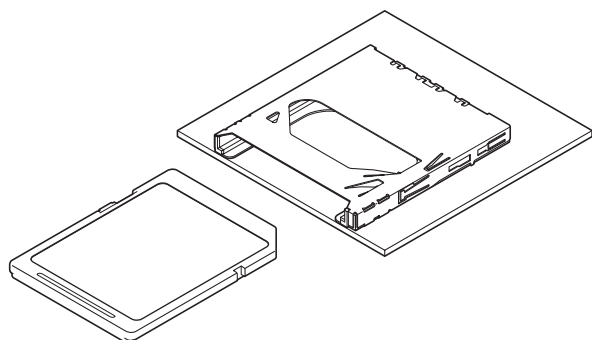


**THE DATASHEET OF
RY-12W-K**



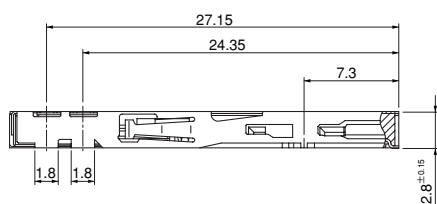


SDK CONNECTOR



This connector is designed for SD Card & MMC (Multi media card), complying with the SD Card Association standard, and is with the switch for Write-protection & Card-detection. And due to Push-push mechanism design, its card can be easily ejected by push-push operation.

- Space saving design
- The amount of card ejection
- Outstanding durability
- Prevention of reverse card insertion

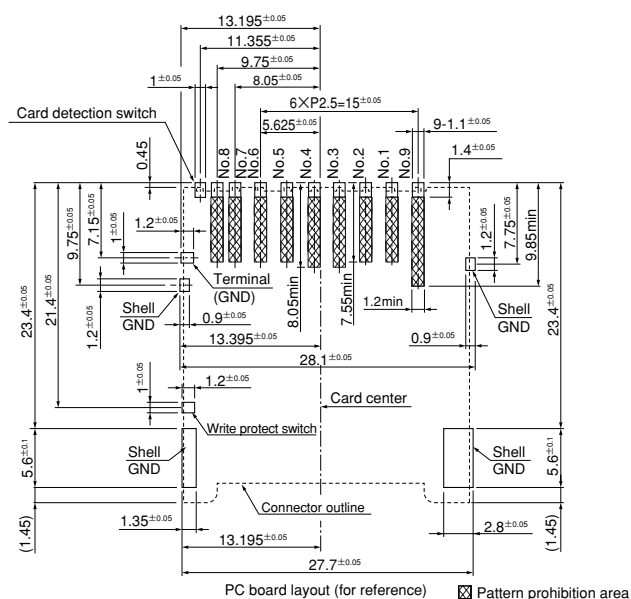


Note: 1. The above figure is the figure viewed from the connector mounting side.
 2. Tolerances are non-cumulative: $\pm 0.05\text{mm}$ for all centers.
 3. The dimensions above should serve as a guideline. Contact JST for details.

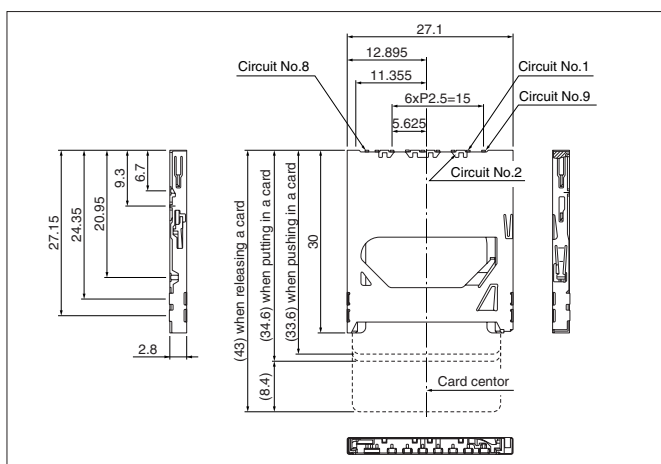
Specifications

- Current rating: 0.5A AC, DC
- Voltage rating: 5V AC, DC
- Temperature range: -25°C to $+85^{\circ}\text{C}$
 (including temperature rise in applying electrical current)
- Recommendatory PC board thickness: 0.6mm to 1.0mm
 [When it is mounted on the FPC, recommendable reinforcing layer thickness is 0.6mm min.]
- Contact resistance:
 (Signal part) Initial value/ 30m Ω max.
 After environmental testing/ 60m Ω max.
 (Switch part) Initial value/ 100m Ω max.
 After environmental testing/ 100m Ω max.
- Insulation resistance: 1,000M Ω min. at 500V DC
- Withstanding voltage: 500V AC/minute

- * Compliant with RoHS.
- * Refer to "General Instruction and Notice when using Terminals and Connectors" at the end of this catalog.
- * Contact JST for details.



Connector



Model No.	Q'ty / reel
SDK-9BNS-K13-GS-TB	450



Material and Finish

Housing, Guide: Heat resisting resin, UL94V-0
 Contact: Copper alloy, nickel-undercoated, selective gold-plated, selective tin-plated (reflow treatment)
 Terminal: Copper alloy, nickel-undercoated, gold-plated
 Card detection switch: Copper alloy, nickel-undercoated, gold-plated
 Write protect switch: Copper alloy, nickel-undercoated, selective gold-plated, selective tin-plated (reflow treatment)
 Card lock: Copper alloy, tin-plated
 Joint rod, Spring: SUS
 Shell: SUS, Solder tail/ selective nickel-undercoated, tin-plated (reflow treatment)

RoHS compliance This product displays (LF)(SN) on a label.
 Note: This products listed above are supplied on embossed-tape.

Looking for pricing, stock, or lifecycle information?

Click below to explore more details on WIN SOURCE:

-  [View RY-12W-K](#) on WIN SOURCE
-  [FCL Components](#) Information

Optimize Your Supply Chain with WIN SOURCE Solutions

-  Global Sourcing Solution
-  Obsolete Management
-  Cost Control Management
-  Shortage Management
-  Alternative Solution
-  Excess Inventory Management