



**THE DATASHEET OF
QTH-020-01-L-D-DP-A**



Water-proof Type SPVQ8 Series

Offers a wide product variety with an industry-leading compact size of 8.3×5.3×7.0mm body dimensions.



Automotive



Water-proof Type



Dust-proof Type

- Rating(max.)/(min.)(Resistive load):0.1A 16V DC/50 μ A 5V DC
- Contact resistance(Initial/After operating life):500m Ω max./1 Ω max.
- Operating life without load:300,000 cycles
- Operating life with load Rating(max.)(Resistive load):
300,000 cycles 1 Ω max.

Applications:Energy Industrial:Robots, drones,Industrial equipment
Home:Major home appliances
Automotive:Hood Latch (Side/Rear/Door/Gear)

Product List

Products No.	Type	Poles	Positions	Operating force	Terminal type	Circuit	Main body form	Dimensions (W×D×H) (mm)	Water-proof	Dust-proof	Automotive	Drawing No.
SPVQ810102	Standard type	1	1	1±0.5N	For PC board	N/O	Boss - both sides	5.3×8.3×6.5	●	●	●	1
SPVQ810302		1	1	1±0.5N	Angle	N/O	Boss - single side	5.3×8.3×6.5	●	●	●	2
SPVQ810402		1	1	1±0.5N	Angle	N/O	Without boss	5.3×8.3×6.5	●	●	●	3
SPVQ810502		1	1	1±0.5N	For PC board	N/O	Without boss	5.3×8.3×6.5	●	●	●	4
SPVQ810602		1	1	1±0.5N	For PC board	N/O	Boss - single side	5.3×8.3×6.5	●	●	●	5
SPVQ810704		1	1	1±0.5N	For Lead	N/O	Boss - single side	5.3×8.3×6.5	●	●	●	6
SPVQ810802		1	1	1±0.5N	For Lead	N/O	Boss - both sides	5.3×8.3×6.5	●	●	●	7
SPVQ811006		1	1	1±0.5N	Press-fit (normal type)	N/O	Boss - single side	5.3×8.3×6.5	●	●	●	8
SPVQ820102		1	1	1±0.5N	For PC board	N/C	Boss - both sides	5.3×8.3×6.5	●	●	●	9
SPVQ820302		1	1	1±0.5N	Angle	N/C	Boss - single side	5.3×8.3×6.5	●	●	●	10
SPVQ820402		1	1	1±0.5N	Angle	N/C	Without boss	5.3×8.3×6.5	●	●	●	11
SPVQ820502		1	1	1±0.5N	For PC board	N/C	Without boss	5.3×8.3×6.5	●	●	●	12
SPVQ820602		1	1	1±0.5N	For PC board	N/C	Boss - single side	5.3×8.3×6.5	●	●	●	13
SPVQ820705		1	1	1±0.5N	For Lead	N/C	Boss - single side	5.3×8.3×6.5	●	●	●	14
SPVQ820802		1	1	1±0.5N	For Lead	N/C	Boss - both sides	5.3×8.3×6.5	●	●	●	15
SPVQ821006		1	1	1±0.5N	Press-fit (normal type)	N/C	Boss - single side	5.3×8.3×6.5	●	●	●	16
SPVQ850101		1	1	1±0.5N	With wire (Downwards)	N/O	Boss - single side	5.3×8.3×6.5	●	●	●	17
SPVQ850201		1	1	1±0.5N	With wire (Downwards)	N/O	Boss - both sides	5.3×8.3×6.5	●	●	●	18
SPVQ850301		1	1	1±0.5N	With wire (Left side)	N/O	Boss - single side	5.3×8.3×6.5	●	●	●	19
SPVQ850501		1	1	1±0.5N	With wire (from side)	N/O	Boss - both sides	5.3×8.3×6.5	●	●	●	20
SPVQ860101		1	1	1±0.5N	With wire (Downwards)	N/C	Boss - single side	5.3×8.3×6.5	●	●	●	21
SPVQ860200		1	1	1±0.5N	With wire (Downwards)	N/C	Boss - both sides	5.3×8.3×6.5	●	●	●	22
SPVQ860301		1	1	1±0.5N	With wire (Left side)	N/C	Boss - single side	5.3×8.3×6.5	●	●	●	23
SPVQ860500		1	1	1±0.5N	With wire (from side)	N/C	Boss - both sides	5.3×8.3×6.5	●	●	●	24

Water-proof Type
SPVQ8 Series

Products No.	Type	Poles	Positions	Operating force	Terminal type	Circuit	Main body form	Dimensions (W×D×H) (mm)	Water-proof	Dust-proof	Automotive	Drawing No.
SPVQ811502	Standard type	1	1	1±0.5N	Press-fit (Short type)	N/O	Boss - single side	5.3×8.3×6.5	●	●	●	25
SPVQ821500		1	1	1±0.5N	Press-fit (Short type)	N/C	Boss - single side	5.3×8.3×6.5	●	●	●	26
SPVQ812600		1	1	3N max.	For Lead	N/O	Boss - right side	5.3×8.3×6.5	●	●	●	27
SPVQ812400		1	1	3N max.	Press-fit (normal type)	N/O	Boss - right side	5.3×8.3×6.5	●	●	●	28
SPVQ812200		1	1	3N max.	Press-fit (Short type)	N/O	Boss - right side	5.3×8.3×6.5	●	●	●	29
SPVQ812700		1	1	3N max.	For Lead	N/O	Boss - left side	5.3×8.3×6.5	●	●	●	30
SPVQ812500		1	1	3N max.	Press-fit (normal type)	N/O	Boss - left side	5.3×8.3×6.5	●	●	●	31
SPVQ812300		1	1	3N max.	Press-fit (Short type)	N/O	Boss - left side	5.3×8.3×6.5	●	●	●	32
SPVQ822500		1	1	3N max.	For Lead	N/C	Boss - right side	5.3×8.3×6.5	●	●	●	33
SPVQ822300		1	1	3N max.	Press-fit (normal type)	N/C	Boss - right side	5.3×8.3×6.5	●	●	●	34
SPVQ822100		1	1	3N max.	Press-fit (Short type)	N/C	Boss - right side	5.3×8.3×6.5	●	●	●	35
SPVQ822600		1	1	3N max.	For Lead	N/C	Boss - left side	5.3×8.3×6.5	●	●	●	36
SPVQ822400		1	1	3N max.	Press-fit (normal type)	N/C	Boss - left side	5.3×8.3×6.5	●	●	●	37
SPVQ822200		1	1	3N max.	Press-fit (Short type)	N/C	Boss - left side	5.3×8.3×6.5	●	●	●	38
SPVQ830102		Long life type	1	1	1±0.5N	For PC board	N/O	Boss - both sides	5.3×8.3×6.5	●	●	●
SPVQ830302	1		1	1±0.5N	Angle	N/O	Boss - single side	5.3×8.3×6.5	●	●	●	40
SPVQ830402	1		1	1±0.5N	Angle	N/O	Without boss	5.3×8.3×6.5	●	●	●	41
SPVQ830502	1		1	1±0.5N	For PC board	N/O	Without boss	5.3×8.3×6.5	●	●	●	42
SPVQ830602	1		1	1±0.5N	For PC board	N/O	Boss - single side	5.3×8.3×6.5	●	●	●	43
SPVQ830702	1		1	1±0.5N	For Lead	N/O	Boss - single side	5.3×8.3×6.5	●	●	●	44
SPVQ830802	1		1	1±0.5N	For Lead	N/O	Boss - both sides	5.3×8.3×6.5	●	●	●	45
SPVQ831002	1		1	1±0.5N	Press-fit (normal type)	N/O	Boss - single side	5.3×8.3×6.5	●	●	●	46
SPVQ8R02	Normal type With internal resistor type	1	1	1±0.5N	For PC board	—	Boss - single side	5.3×8.3×6.5	●	●	●	47
SPVQ8R06		1	1	1±0.5N	Press-fit (normal type)	—	Boss - single side	5.3×8.3×6.5	●	●	●	48
SPVQ8R01		1	1	1±0.5N	Press-fit (Short type)	—	Boss - single side	5.3×8.3×6.5	●	●	●	49

 Note

1. This catalog shows only outline specifications. When using the products, please obtain formal specifications for supply.
2. Unless specified, the length of the lead wire is 250mm. Color is either red or black. For length modification, please contact us.
3. Please specify circuits (N.O. or N.C.) for wired (side) types. Unless specified, the circuit will apply N.O.
4. This unit cannot be used in water (IP6K7 rating, except for terminal).
5. Please place purchase orders per minimum order unit (integer).
6. This products can be used in vehicles.

Although these products are designed to perform over a wide operating temperature range, please ensure that you receive and read the formal delivery specifications before use.

Water-proof Type
SPVQ8 Series

■ Packing Specifications

Tray

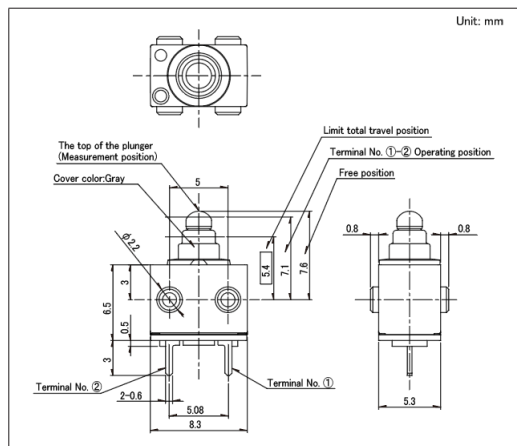
Products No.	Number of packages(pcs.)		Export package measurements (mm)
	1 case / Japan	1 case / export packing	
SPVQ810102 SPVQ810302 SPVQ810402 SPVQ810502 SPVQ810602 SPVQ810704 SPVQ810802 SPVQ811006 SPVQ820102 SPVQ820302 SPVQ820402 SPVQ820502 SPVQ820602 SPVQ820705 SPVQ820802 SPVQ821006 SPVQ811502 SPVQ821500 SPVQ830102 SPVQ830302 SPVQ830402 SPVQ830502 SPVQ830602 SPVQ830702 SPVQ830802 SPVQ831002 SPVQ8R02 SPVQ8R06 SPVQ8R01	1,755	7,020	540 x 360 x 270
SPVQ812600 SPVQ812400 SPVQ812200 SPVQ812700 SPVQ812500 SPVQ812300 SPVQ822500 SPVQ822300 SPVQ822100 SPVQ822600 SPVQ822400 SPVQ822200	1,080	4,320	540 x 360 x 270

Bulk

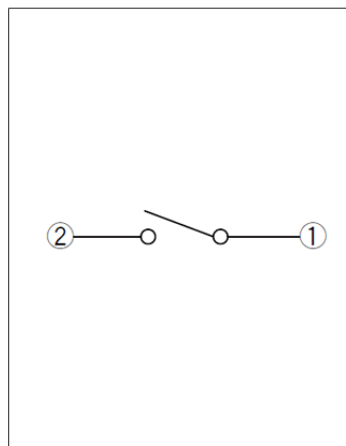
Products No.	Number of packages(pcs.)		Export package measurements (mm)
	1 case / Japan	1 case / export packing	
SPVQ850101 SPVQ850201 SPVQ850301 SPVQ850501 SPVQ860101 SPVQ860200 SPVQ860301 SPVQ860500	400	1,600	555 x 375 x 223

Drawing No. 1

■ Dimensions



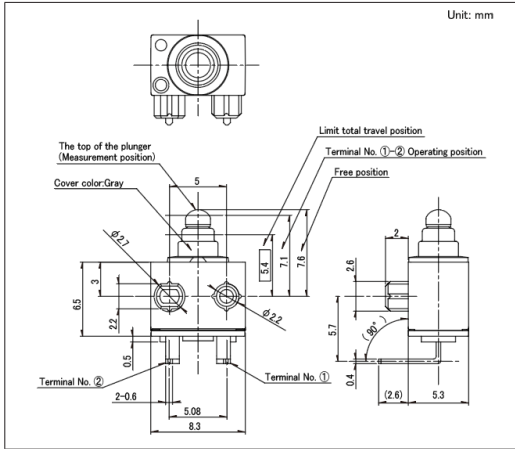
■ Circuit Diagram



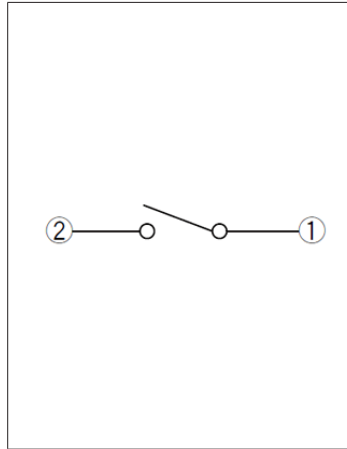
Water-proof Type
SPVQ8 Series

Drawing No.2

■ Dimensions

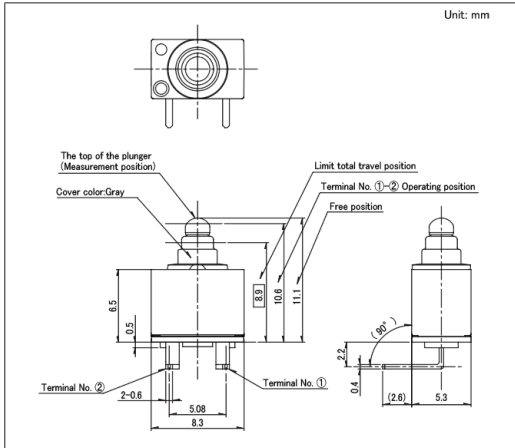


■ Circuit Diagram

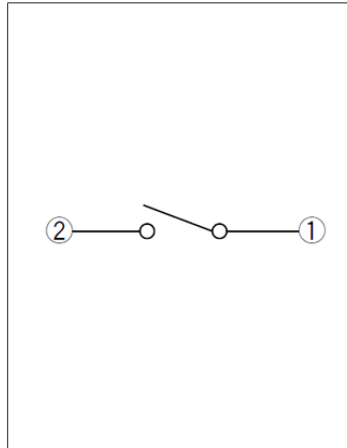


Drawing No.3

■ Dimensions

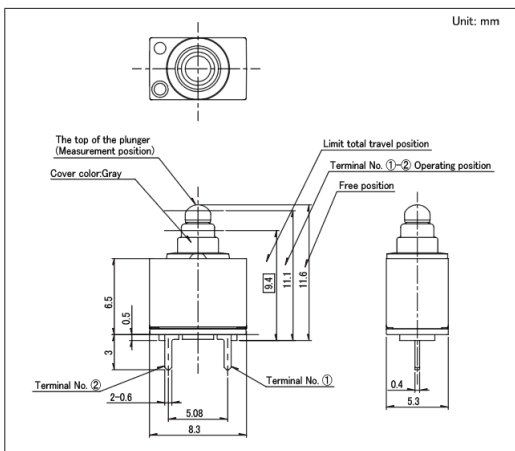


■ Circuit Diagram

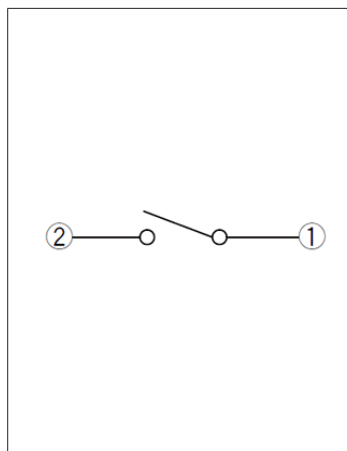


Drawing No.4

■ Dimensions



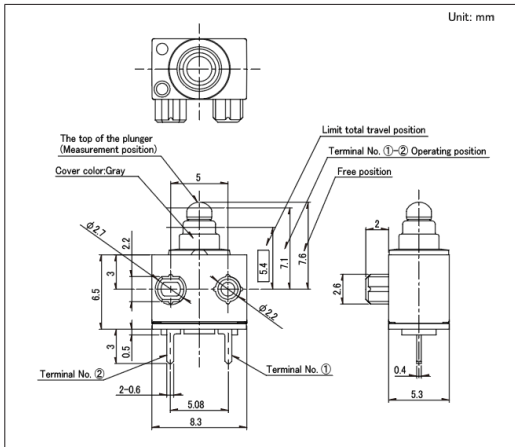
■ Circuit Diagram



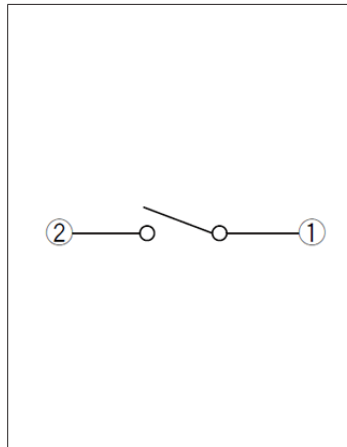
Water-proof Type
SPVQ8 Series

Drawing No.5

■ Dimensions

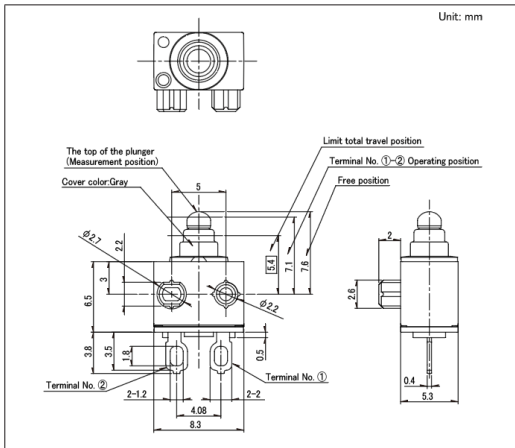


■ Circuit Diagram

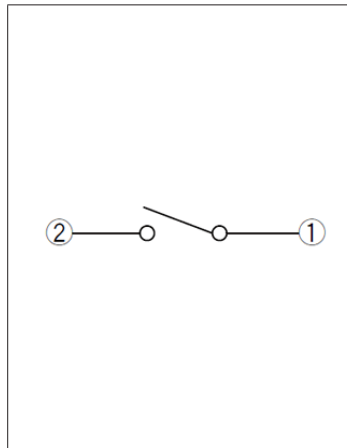


Drawing No.6

■ Dimensions

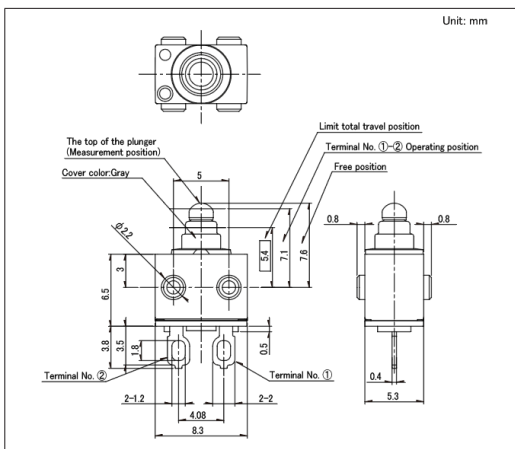


■ Circuit Diagram

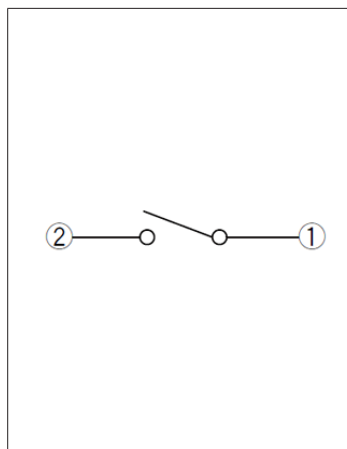


Drawing No.7

■ Dimensions



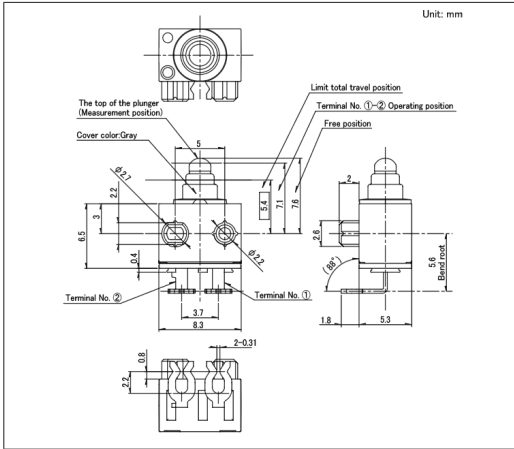
■ Circuit Diagram



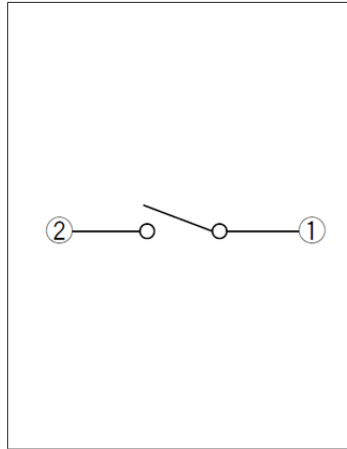
Water-proof Type
SPVQ8 Series

Drawing No.8

■ Dimensions

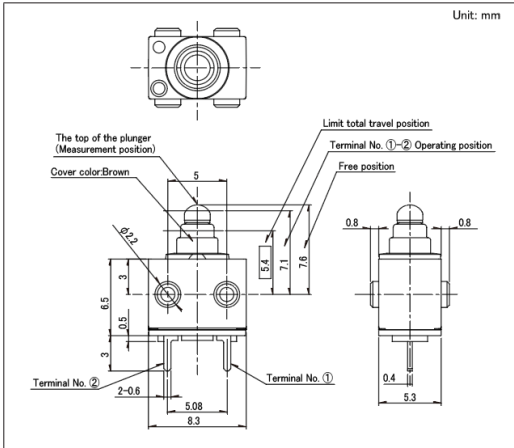


■ Circuit Diagram

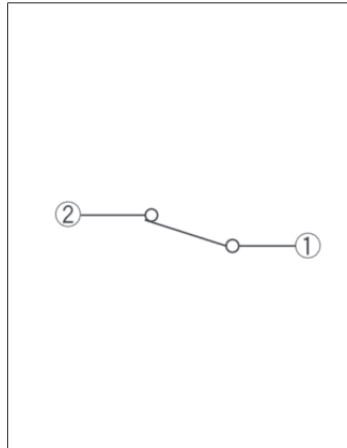


Drawing No.9

■ Dimensions

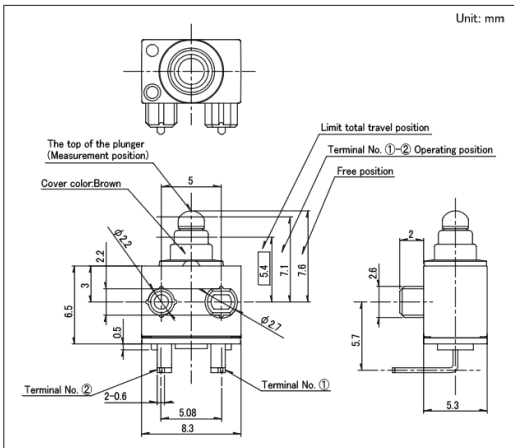


■ Circuit Diagram

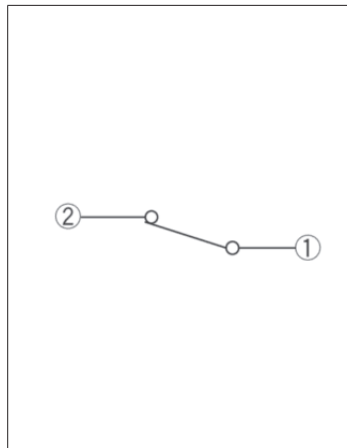


Drawing No.10

■ Dimensions



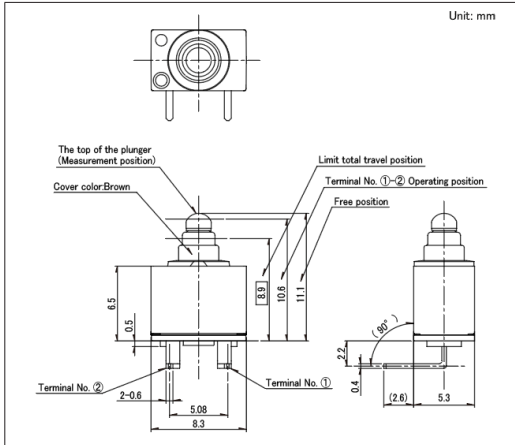
■ Circuit Diagram



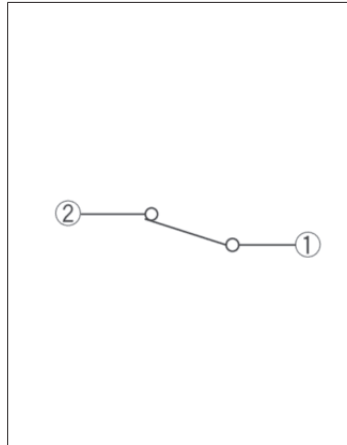
Water-proof Type
SPVQ8 Series

Drawing No.11

■ Dimensions

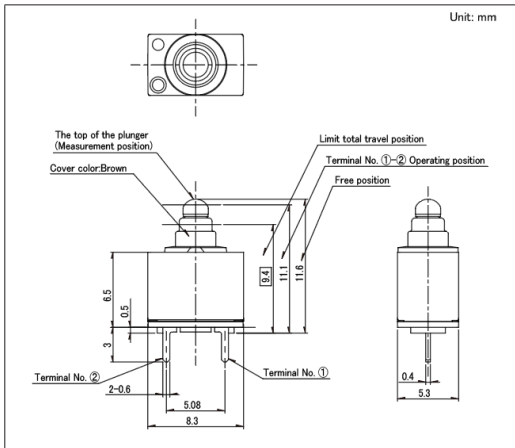


■ Circuit Diagram

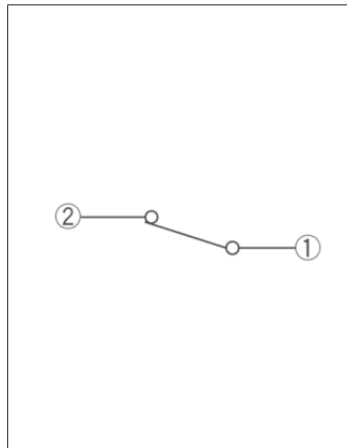


Drawing No.12

■ Dimensions

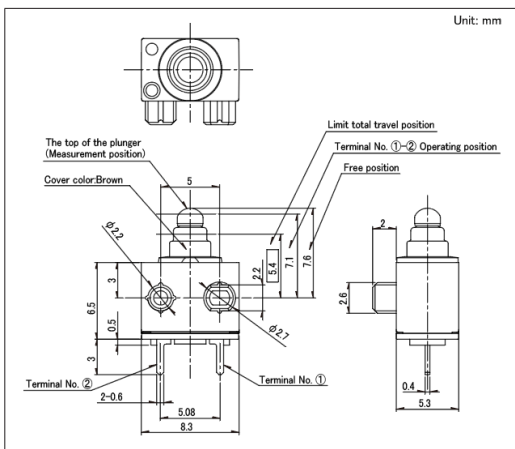


■ Circuit Diagram

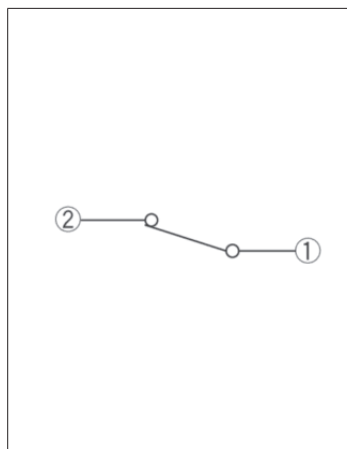


Drawing No.13

■ Dimensions



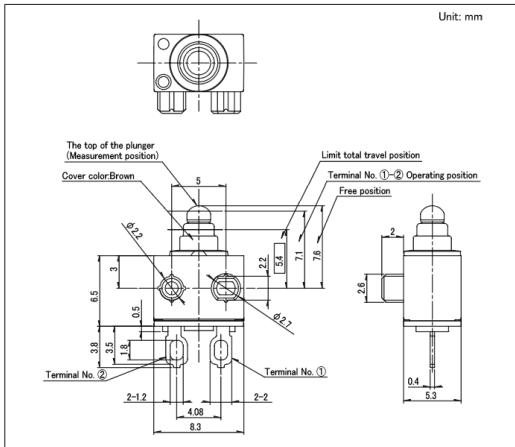
■ Circuit Diagram



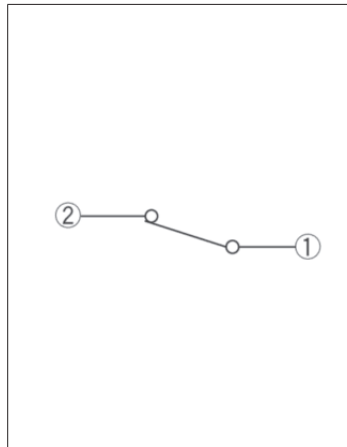
Water-proof Type
SPVQ8 Series

Drawing No.14

■ Dimensions

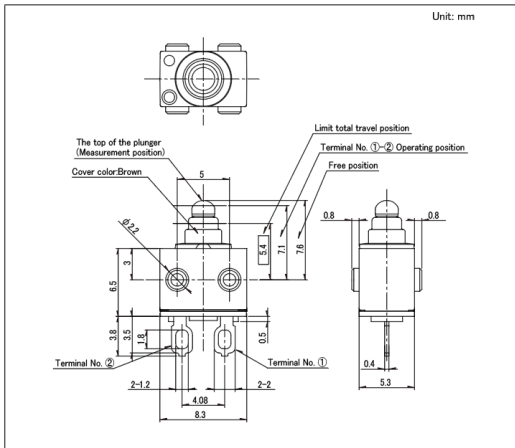


■ Circuit Diagram

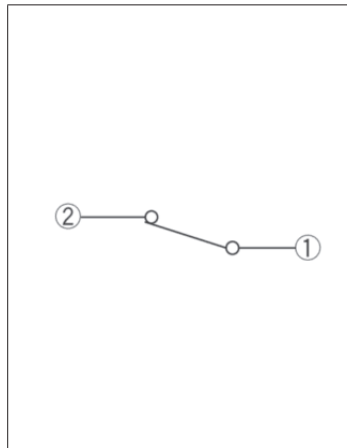


Drawing No.15

■ Dimensions

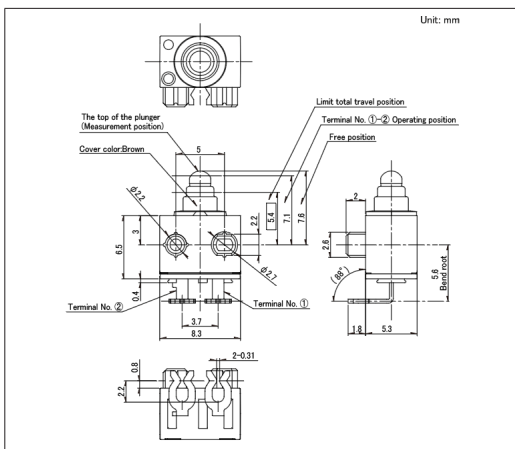


■ Circuit Diagram

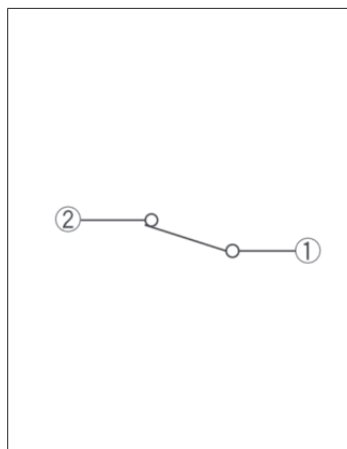


Drawing No.16

■ Dimensions



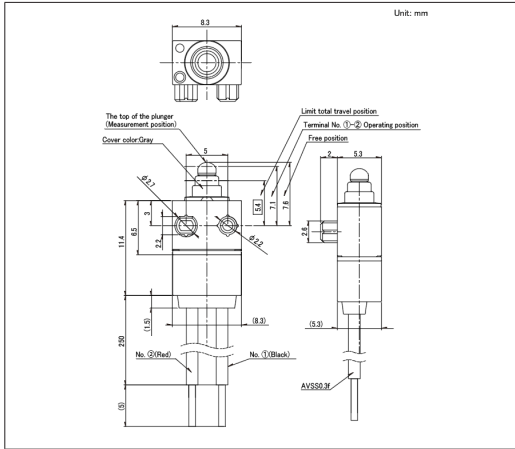
■ Circuit Diagram



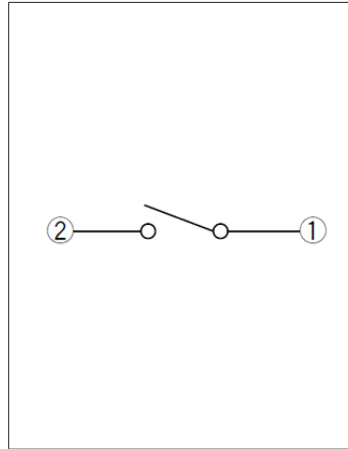
Water-proof Type
SPVQ8 Series

Drawing No.17

■ Dimensions

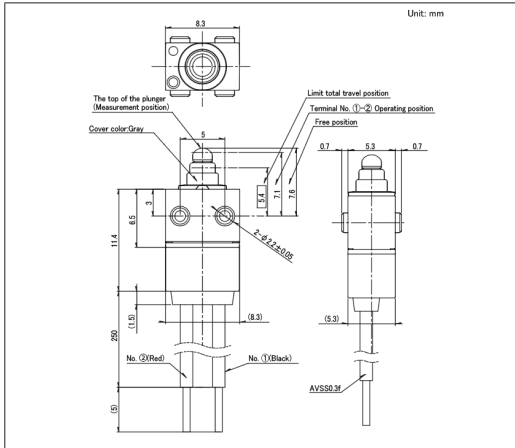


■ Circuit Diagram

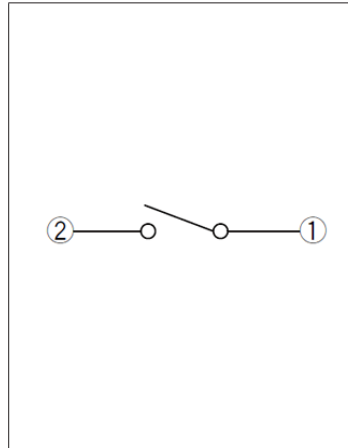


Drawing No.18

■ Dimensions

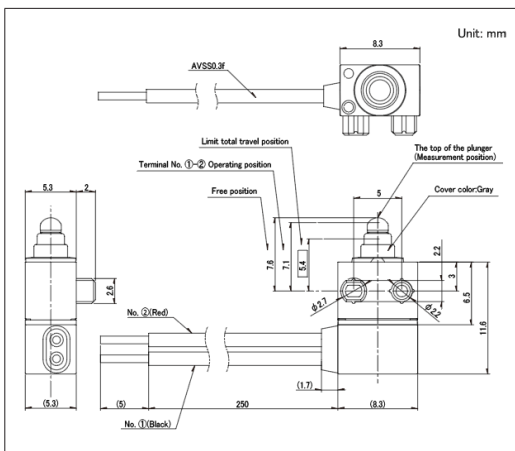


■ Circuit Diagram

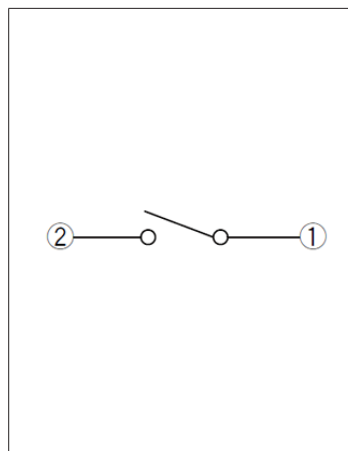


Drawing No.19

■ Dimensions



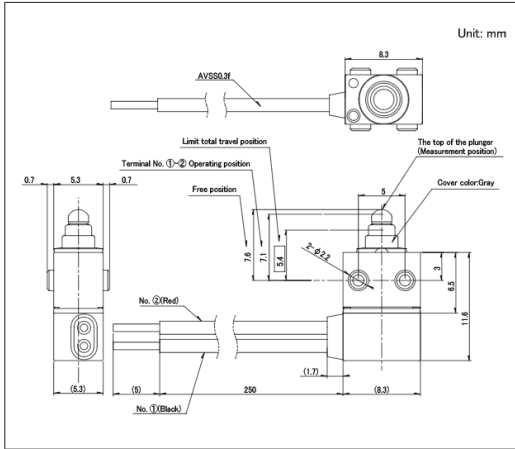
■ Circuit Diagram



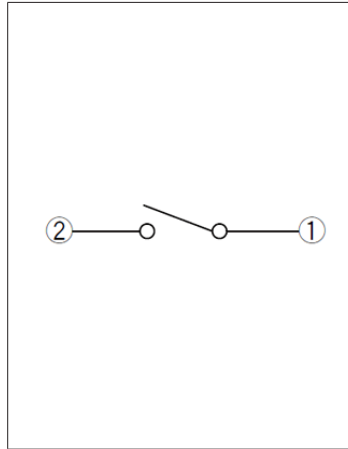
Water-proof Type
SPVQ8 Series

Drawing No.20

■ Dimensions

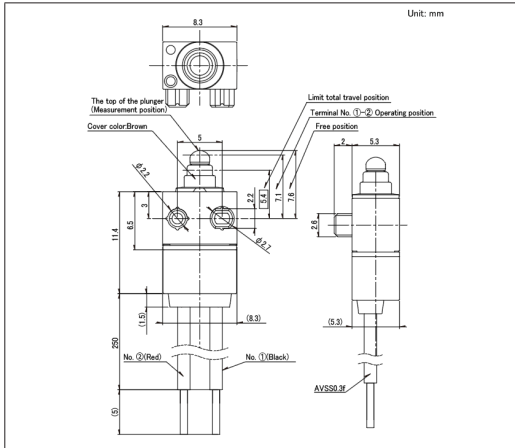


■ Circuit Diagram

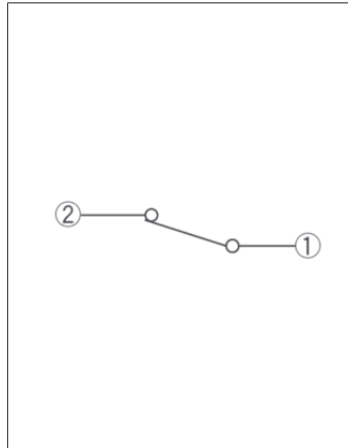


Drawing No.21

■ Dimensions

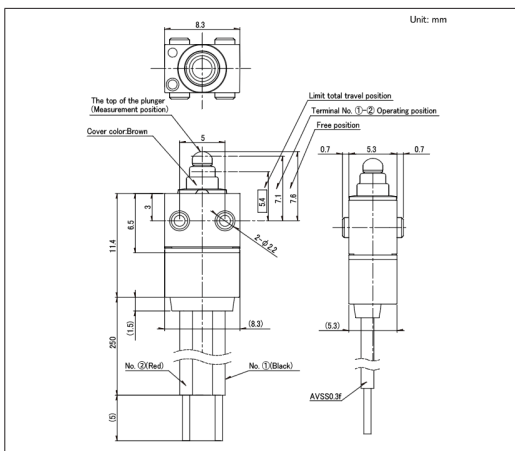


■ Circuit Diagram

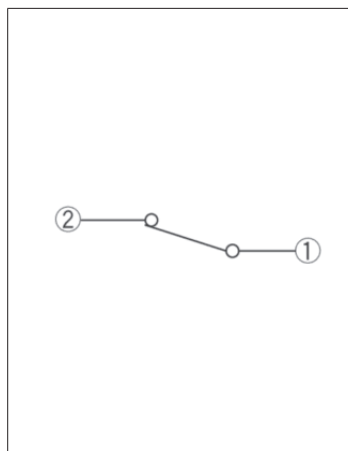


Drawing No.22

■ Dimensions



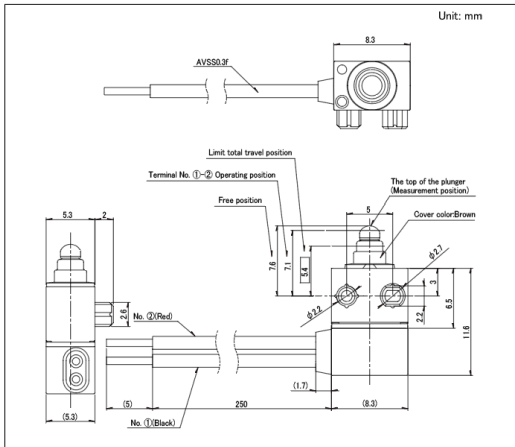
■ Circuit Diagram



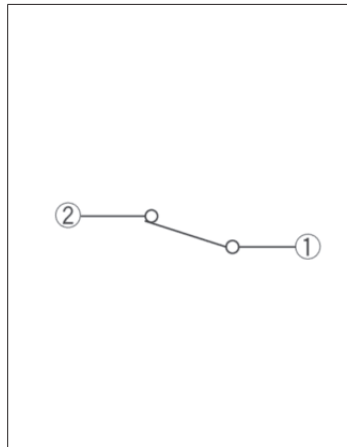
Water-proof Type
SPVQ8 Series

Drawing No.23

■ Dimensions

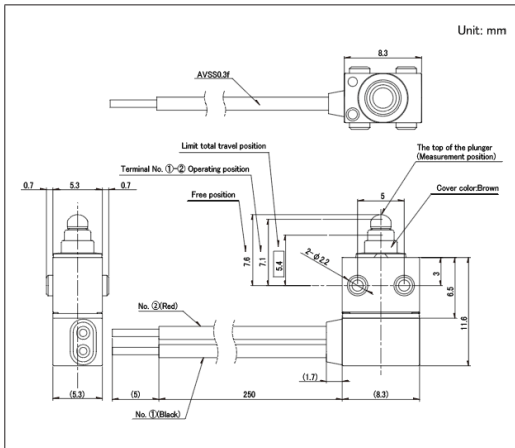


■ Circuit Diagram

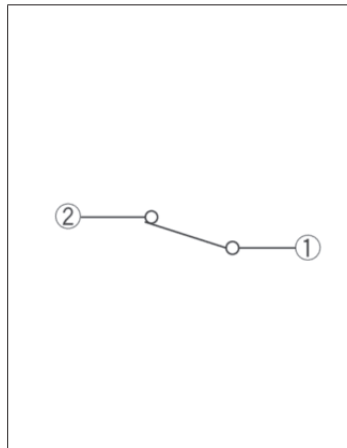


Drawing No.24

■ Dimensions

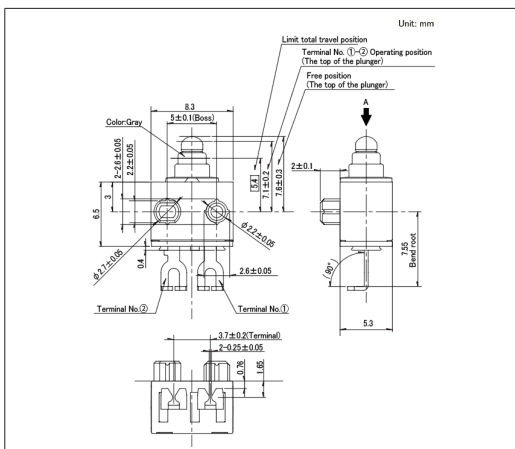


■ Circuit Diagram

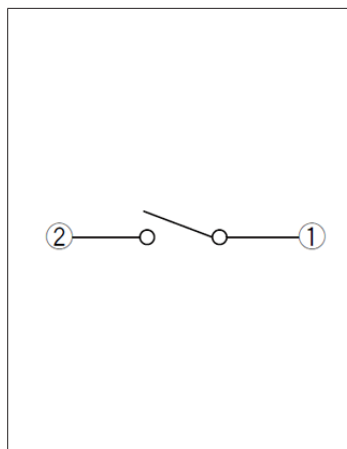


Drawing No.25

■ Dimensions



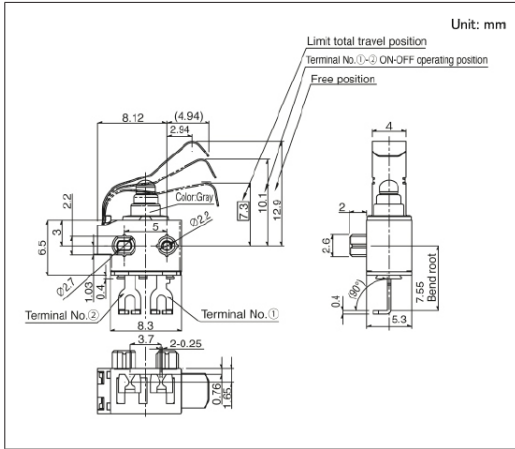
■ Circuit Diagram



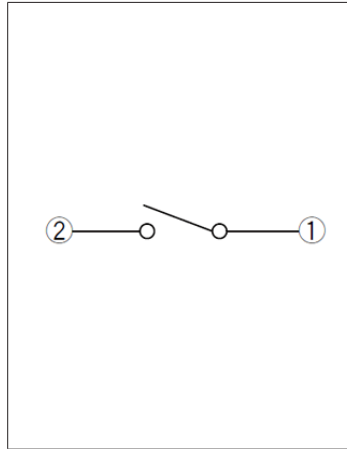
Water-proof Type
SPVQ8 Series

Drawing No.32

■ Dimensions

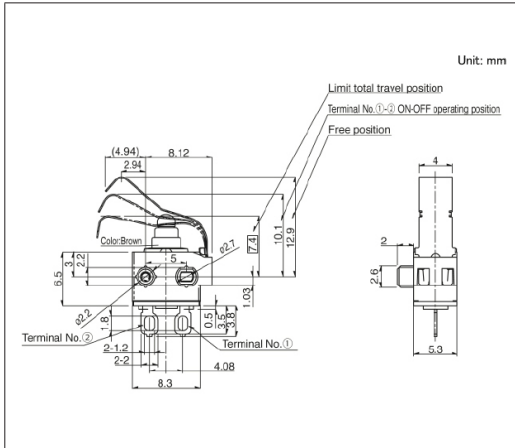


■ Circuit Diagram

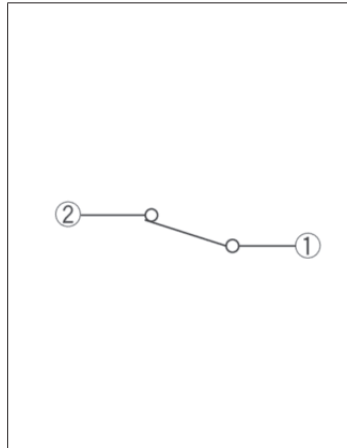


Drawing No.33

■ Dimensions

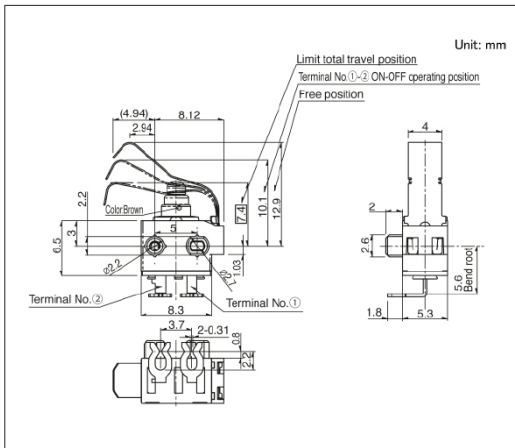


■ Circuit Diagram

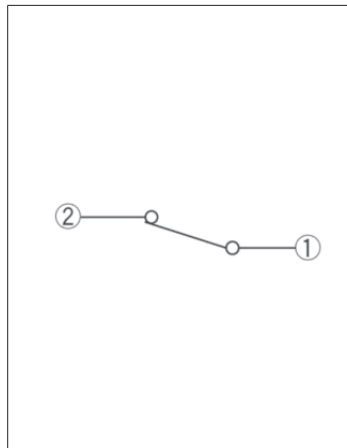


Drawing No.34

■ Dimensions



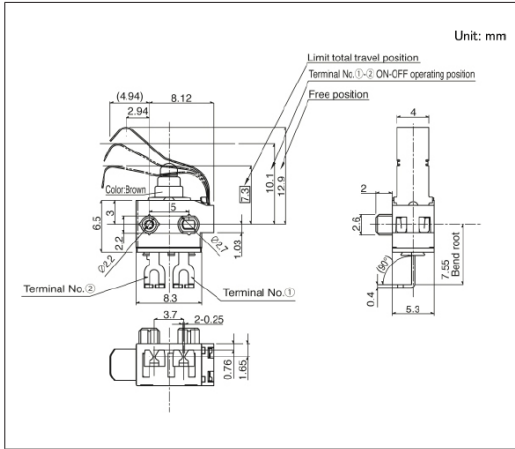
■ Circuit Diagram



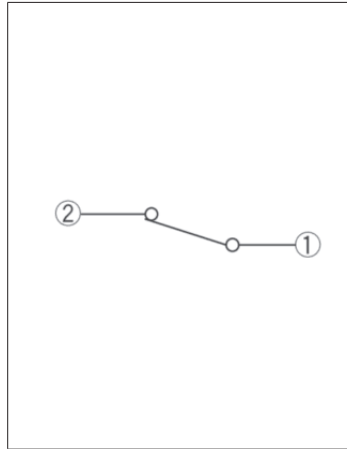
Water-proof Type
SPVQ8 Series

Drawing No.35

■ Dimensions

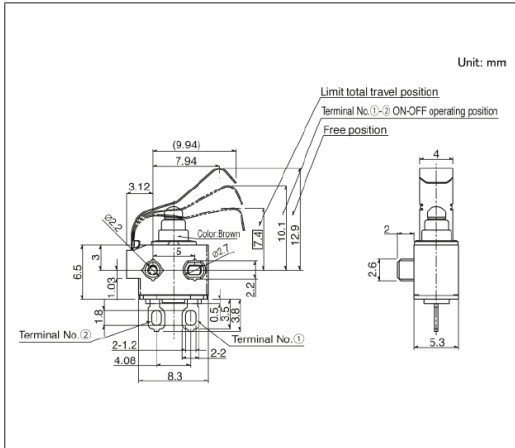


■ Circuit Diagram

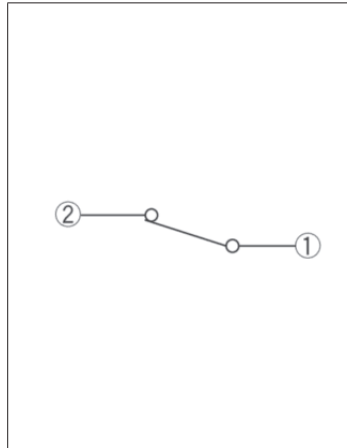


Drawing No.36

■ Dimensions

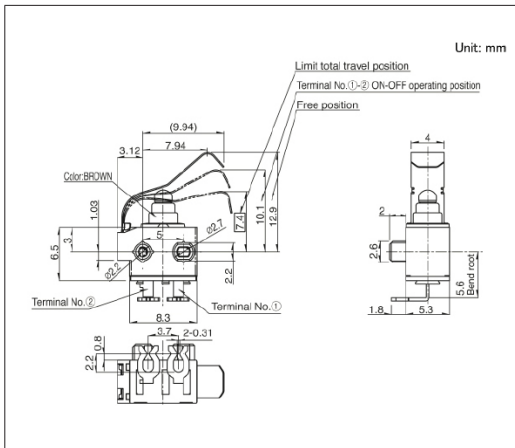


■ Circuit Diagram

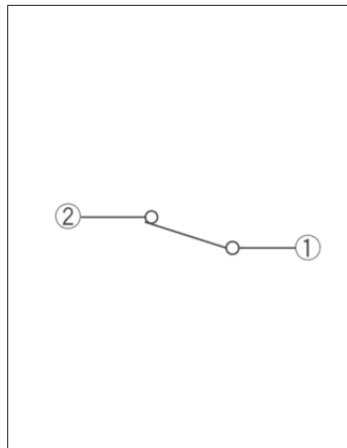


Drawing No.37

■ Dimensions



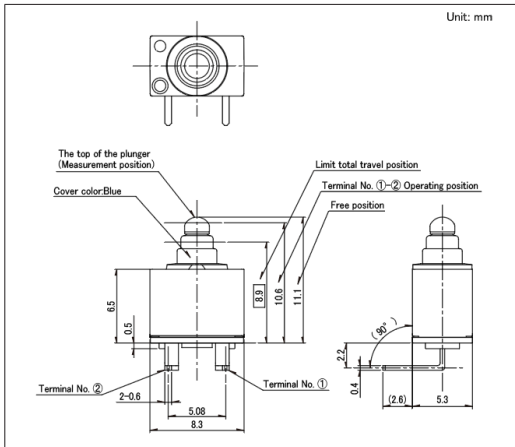
■ Circuit Diagram



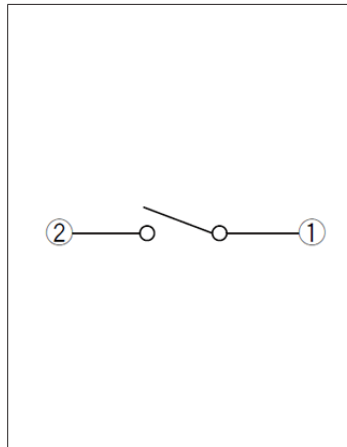
Water-proof Type
SPVQ8 Series

Drawing No.41

■ Dimensions

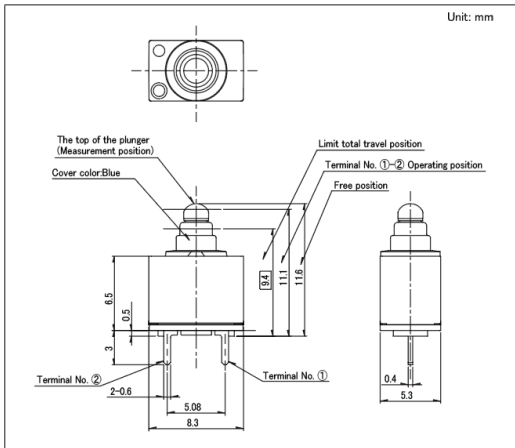


■ Circuit Diagram

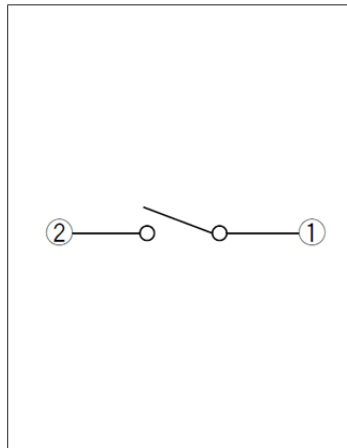


Drawing No.42

■ Dimensions

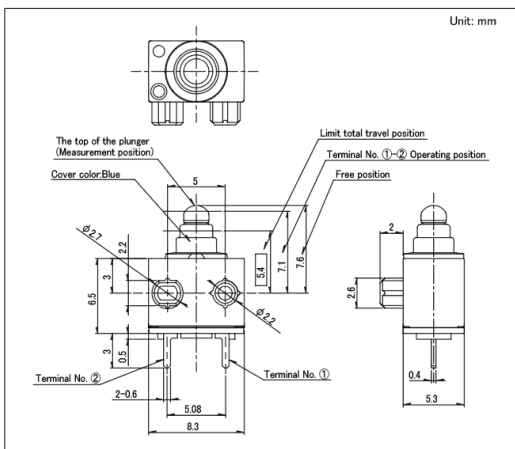


■ Circuit Diagram

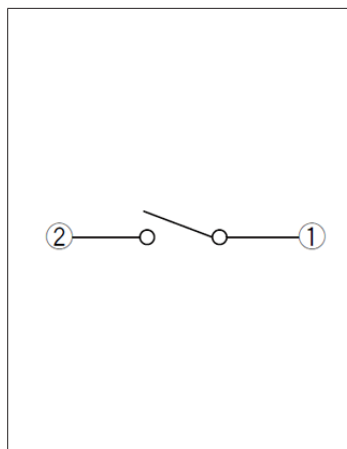


Drawing No.43

■ Dimensions



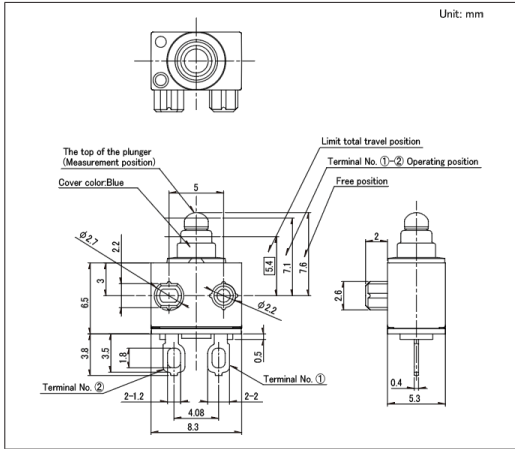
■ Circuit Diagram



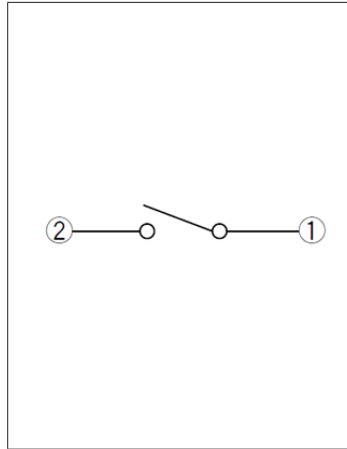
Water-proof Type
SPVQ8 Series

Drawing No.44

■ Dimensions

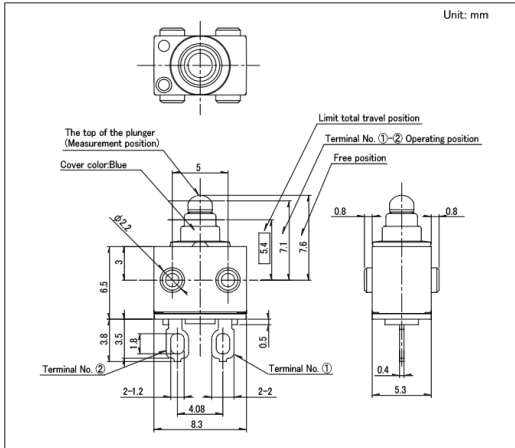


■ Circuit Diagram

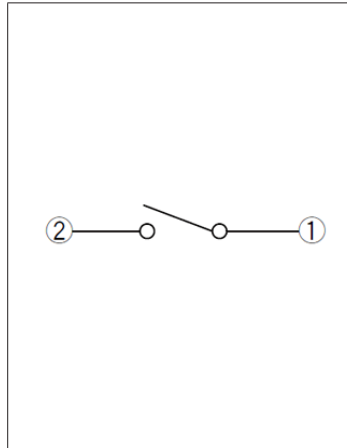


Drawing No.45

■ Dimensions

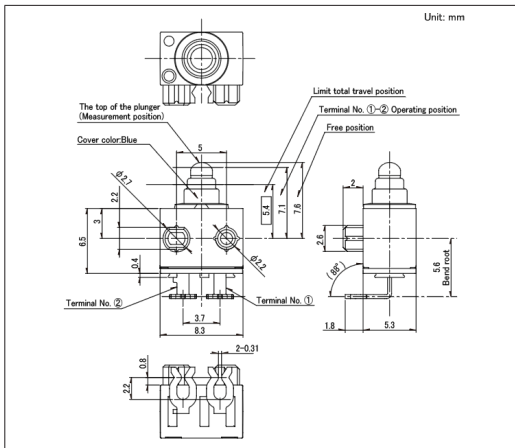


■ Circuit Diagram

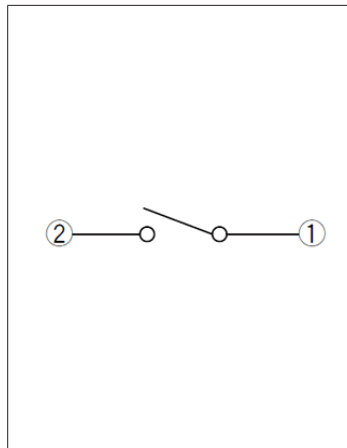


Drawing No.46

■ Dimensions



■ Circuit Diagram



Looking for pricing, stock, or lifecycle information?

Click below to explore more details on WIN SOURCE:

 [View QTH-020-01-L-D-DP-A on WIN SOURCE](#)

 [Samtec Inc. Information](#)

Optimize Your Supply Chain with WIN SOURCE Solutions

-  Global Sourcing Solution
-  Obsolete Management
-  Cost Control Management
-  Shortage Management
-  Alternative Solution
-  Excess Inventory Management