



# WF200 Data Sheet: Wi-Fi® Network Co-Processor

The Silicon Labs WF200 is an Ultra Low Power Wi-Fi® transceiver or network co-processor (NCP) targeted for applications where optimal RF performance, low-power consumption, and secure end-to-end solution, together with fast time to market, are key requirements.

The WF200 integrates the Balun, T/R switch, LNA and PA for best possible RF performance. Co-existence with other external 2.4GHz radios is supported.

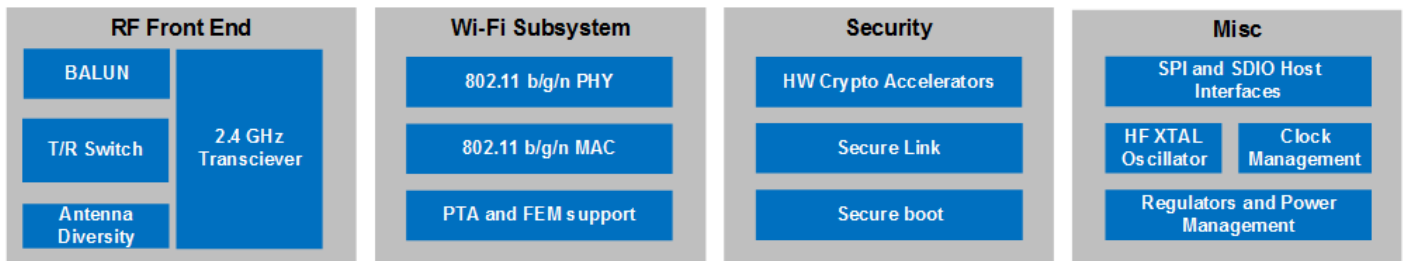
WF200 has been optimized for resource and power constrained devices at the RF, protocol, and firmware levels. Power conscious devices can take advantage of these features in both active and sleep modes.

For security sensitive applications, WF200 provides secure boot and a secure & encrypted host interface. Robust security is made possible with a native integrated True Random Number Generator and OTP memory for confidential encryption key storage.

The WF200 fits well with Linux-based and RTOS-based host processors. WF200 supports both the 802.11 lower MAC and the 802.11 full MAC architectures. It communicates with the external host controller over the SPI or SDIO interface.

## KEY POINTS

- IEEE 802.11 b/g/n compliant
- TX power: +17 dBm (at pin)
- RX sensitivity: -96.7 dBm (at pin)
- Integrated antenna diversity support
- Ultra low power consumption
- Secure and signed software
- Encrypted host interface communication
- Linux and RTOS host support
- 4x4 QFN32 package



# Table of Contents

<b>1. Features List</b>	<b>4</b>
<b>2. Ordering Guide</b>	<b>5</b>
<b>3. System Overview</b>	<b>6</b>
3.1 Introduction	6
3.2 Wi-Fi Supported 2.4 GHz Bandwidth and Channels	6
<b>4. Electrical Specifications</b>	<b>7</b>
4.1 Absolute Maximum Ratings	7
4.2 Operating Conditions	8
4.3 Power Consumption	9
4.4 RF Transmitter General Characteristics	10
4.4.1 RF Transmitter Characteristics	11
4.5 RF Receiver General Characteristics	12
4.5.1 RF Receiver Characteristics	13
4.6 Reference Oscillator and Clock Characteristics	15
4.6.1 Crystal Requirements for using Internal Oscillator	16
4.6.2 External Oscillator Required Characteristics	17
4.6.3 Low Power 32.768 kHz Clock Input Requirements	17
4.7 Interface Terminal Characteristics	18
4.7.1 Supply Terminal Specifications	18
4.7.2 Digital I/O Terminal Specifications	18
4.8 Host Interface	18
4.8.1 SPI Specification	20
4.8.2 SDIO Specification	21
<b>5. Typical Applications and Connections</b>	<b>22</b>
5.1 Typical Application Circuit for SDIO Host Interface	22
5.2 Typical Application Circuit for SPI Host Interface	23
5.3 <b>Power States and Low-Power Modes</b>	<b>24</b>
5.4 RF Connections	24
5.4.1 Antenna Ports	24
5.4.2 Antenna Diversity	24
5.4.3 FEM Support	24
5.5 Clocks	26
5.5.1 XTAL_I and XTAL_O connections for Crystal	26
5.5.2 XTAL_I and XTAL_O connections for TCXO	26
5.5.3 LP_CLK Port	26
5.6 Multi-Protocol Coexistence	26
<b>6. Pin Descriptions</b>	<b>27</b>
<b>7. Package Outline</b>	<b>29</b>

- 8. Land Pattern . . . . . 31**
- 9. Top Marking. . . . . 32**
- 10. Software Reference . . . . . 33**
  - 10.1 Host and Device Software. . . . . 33
    - 10.1.1 Split MAC . . . . . 33
    - 10.1.2 Full MAC . . . . . 34
    - 10.1.3 Software Documentation. . . . . 34
  - 10.2 Security . . . . . 34
    - 10.2.1 Secure Device . . . . . 34
    - 10.2.2 Secure Boot . . . . . 35
    - 10.2.3 Secure Link (WF200SD only) . . . . . 35
  - 10.3 Startup, Sleep and Shutdown . . . . . 35
    - 10.3.1 Power On, Reset, and Boot. . . . . 35
    - 10.3.2 Sleep and Snooze Modes . . . . . 35
    - 10.3.3 Shutdown Mode. . . . . 36
- 11. Revision History. . . . . 37**

## 1. Features List

The key features of the WF200 Wi-Fi transceiver are listed below.

### Applications

- Industrial, Home and Building automation
- Home appliances
- Security solutions
- Retail and Commercial
- Commercial transportation
- Consumer medical
- Sports and Fitness

### Features

- 802.11 b/g/n Wi-Fi NCP including the radio, baseband, MAC, security and host interface
- Superior link budget with integrated LNA, PA and Balun
- OTP included removing the need for an external EEPROM
- Ultra low power optimized solution
- End-to-end security with hardware protected secure boot and encrypted host interface (optional)
- 802.11 split and full MAC architecture support
- Complete Network Co-Processor (NCP) support for Linux and RTOS external hosts

### Standards/IEEE 802.11 and WFA

- b - symbol rates: up to 11 Mbps
- g - symbol rates: up to 54 Mbps
- n - symbol rates: up to 72.2Mbps
- d - regulatory domains
- e - QoS as per definition in WMM specification
- i - as per definition in WPA2 specification
- w - protected management frames
- WMM Power save
- WPA/WPA2 Personal/WPA3 Personal
- Supported with Linux UMAC:
  - WPA2 Enterprise
  - WPS - Wi-Fi Protected Setup

### Key MAC and Baseband Features

- 1x1 802.11n (20 MHz) with full 802.11 b/g compatibility, 72.2Mbps
- Greenfield Tx/Rx for 802.11n optimal performance
- Short Guard Interval (SGI) for 802.11n optimal throughput
- A-MPDU Rx and Tx for high MAC throughput
- Block acknowledgement for several frames
- Rx Defragmentation
- Roaming supported
- Client, SoftAP modes supported
- Concurrent AP + STA supported on different channels

### RF Features

- Tx Power: +17 dBm
- Rx Sensitivity: -96.7 dBm
- 2 x 2.4GHz antenna pads for full antenna diversity support or FEM support
- 2.4GHz co-existence; 2-, 3- and 4-wire PTA support
- Integrated Balun, T/R switch, LNA and PA for 2.4GHz

### Power Consumption

- Rx (@DSSS-1Mbps): 41.6mA
- Tx (17 dBm @DSSS-1Mbps): 153mA
- Associated DTIM3 average current : 298  $\mu$ A
- Associated Sleep Current : 22  $\mu$ A
- Shutdown mode: 0.5  $\mu$ A

### Security and Encryption Features

- Secure boot with roll-back prevention
- Encrypted host interface, dedicated hardware acceleration block
- Integrated True Random Number Generator
- Secure key storage using protected OTP technology
- AES/WEP hardware acceleration

### Host Interfaces

- SDIO (1-bit and 4-bit SD mode @ 26MHz)
- SPI (1-bit @ 52MHz)

### Peripheral Interfaces

- External 32kHz crystal for low power
- GPIOs (including wake-up and Tx/Rx activity monitoring)

### ROHS/REACH Compliant

### Electrical Characteristics

- 1.62V - 3.6V (VDD<sub>D</sub>, VDD<sub>IO</sub>, VDD<sub>RF</sub>)
- 3.0 - 3.6V (VDD<sub>PA</sub>)

### Packaging

- 4x4 QFN32
- Temperature range: -40°C to +105°C

## 2. Ordering Guide

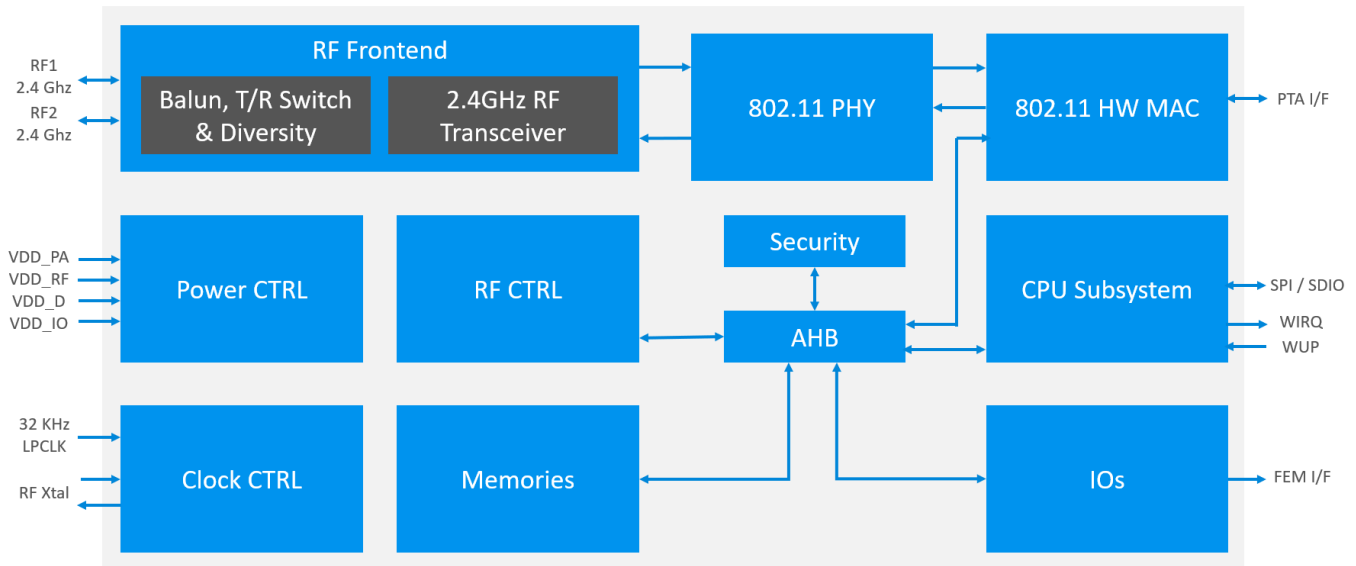
**Table 2.1. WF200 Ordering Information (R Indicates Full Reel)**

Part Number	Description
WF200D(R)	WF200 802.11bgn NCP, 4x4 QFN32
WF200SD(R)	WF200 802.11bgn NCP, Secure link interface, 4x4 QFN32

### 3. System Overview

#### 3.1 Introduction

WF200 is a Wi-Fi network co-processor optimized for RF performance, low energy, and low cost, with two antenna ports, Crystal Oscillator, One Time Programmable Memory, and several GPIOs for interfacing with multi-protocol and RF Front End Module controls.



**Figure 3.1. WF200 Block Diagram**

#### 3.2 Wi-Fi Supported 2.4 GHz Bandwidth and Channels

Supported operating frequencies and bandwidth

**Table 3.1. Supported Wi-Fi Modulations, BW, and Channels**

Parameter	Symbol	Test Condition	Min	Typ	Max	Unit
Channel Center Frequency	CHAN	Subject to Regulatory Agency	2412		2484	MHz
Channel Bandwidth	BW		—	20	—	MHz

## 4. Electrical Specifications

All electrical parameters in all tables are specified under the following conditions, unless stated otherwise:

- Typical values are based on  $T_A = 25\text{ °C}$ ;  $V_{VDD\_IO}$ ,  $V_{VDD\_D}$ ,  $V_{VDD\_RF} = 1.8\text{ V}$ ;  $V_{VDD\_PA} = 3.3\text{ V}$
- Radio performance numbers are measured in conducted mode, based on Silicon Labs reference designs
- WF200 features and benefits depend on system configuration and may require specific driver, firmware or service activation. Learn more at <https://www.silabs.com/products/wireless/wi-fi>

Refer to Section 4.2 [Operating Conditions](#) for more details about operational supply and temperature limits.

### 4.1 Absolute Maximum Ratings

Stresses above those listed below may cause permanent damage to the device. This is a stress rating only and functional operation of the devices at those or any other conditions above those indicated in the operation listings of this specification is not implied. Exposure to maximum rating conditions for extended periods may affect device reliability. For more information on the available quality and reliability data, see the Quality and Reliability Monitor Report at <http://www.silabs.com/support/quality/pages/default.aspx>.

**Table 4.1. Absolute Maximum Ratings**

Parameter	Symbol	Test Condition	Min	Typ	Max	Unit
Storage temperature	$T_{STG}$		-40	—	150	°C
Junction temperature	$T_{JMAX}$		-40	—	125	°C
RF power level at RF1 and RF2 ports	$P_{RFMAX}$	Max power that can be applied to input of recommended matching network connected to RF1 and RF2 pins.	—	—	10	dBm
Supply voltage to VDD_PA, VDD_RF, VDD_IO, VDD_D	$V_{DDMAX}$		-0.3	—	3.6	V
Voltage on XTAL_I and XTAL_O pins	$V_{XOMAX}$		-0.3	—	1.25	V
Voltage on all other pins (GPIO, Host interface, FEM, PTA, etc.)	$V_{GMAX}$		-0.3	—	$V_{DDIO} + 0.3\text{ V}$	V
Current into any GPIO pin	$I_{O_{MAX}}$		—	—	20	mA
Sum of current into all GPIO pins	$I_{O_{ALL\_MAX}}$		—	—	150	mA
Range of load impedance at RF1 and RF2 pins during TX	$LOAD_{TX}$		—	—	10:1	VSWR

## 4.2 Operating Conditions

**Table 4.2. Recommended Operating Conditions**

Parameter	Symbol	Test Condition	Min	Typ	Max	Unit
Ambient operating temperature	$T_A$		-40	—	105	°C
Junction operating temperature	$T_J$		-40	—	125	°C
DC supply voltage to VDD_PA <sup>1</sup>	$V_{VDD\_PA}$		3.0	3.3	3.6	V
Nominal supply voltage to VDD_RF <sup>1</sup>	$V_{VDD\_RF}$		1.62	1.8	3.6	V
Nominal supply voltage to VDD_D	$V_{VDD\_D}$		1.62	1.8	3.6	V
Nominal supply voltage to VDD_IO	$V_{VDD\_IO}$		1.62	1.8	3.6	V

**Note:**

1. VDD\_PA must always be greater than or equal to VDD\_RF.

### 4.3 Power Consumption

Unless otherwise indicated,  $V_{VDD\_PA} = 3.3\text{ V}$ ,  $V_{VDD\_D} = V_{VDD\_RF} = V_{VDD\_IO} = 1.8\text{ V}$ .

**Table 4.3. Power Consumption**

Parameter	Symbol	Test Condition	Min	Typ	Max	Unit
TX mode current	$I_{TX}$	802.11.b: 1 Mbps, from VDD_PA at 3.3 V	—	108	—	mA
		802.11.b: 11 Mbps, from VDD_PA at 3.3 V	—	104	—	mA
		802.11.g: 6 Mbps, from VDD_PA at 3.3 V	—	101	—	mA
		802.11.g: 54 Mbps, from VDD_PA at 3.3 V	—	95	—	mA
		802.11.n: MCS = 0, from VDD_PA at 3.3 V	—	100	—	mA
		802.11.n: MCS = 7, from VDD_PA at 3.3 V	—	94	—	mA
		802.11.b: 1 Mbps, from 1.8 V supplies (VDD_RF, VDD_D, VDD_IO)	—	44.6	—	mA
		802.11.b: 11 Mbps, from 1.8 V supplies (VDD_RF, VDD_D, VDD_IO)	—	44.7	—	mA
		802.11.g: 6 Mbps, from 1.8 V supplies (VDD_RF, VDD_D, VDD_IO)	—	46.2	—	mA
		802.11.g: 54 Mbps, from 1.8 V supplies (VDD_RF, VDD_D, VDD_IO)	—	46.8	—	mA
		802.11.n: MCS = 0, from 1.8 V supplies (VDD_RF, VDD_D, VDD_IO)	—	46.1	—	mA
		802.11.n: MCS = 7, from 1.8 V supplies (VDD_RF, VDD_D, VDD_IO)	—	46.8	—	mA
RX mode current	$I_{RX}$	802.11.b: 1 Mbps, from 1.8 V supplies (VDD_RF, VDD_D, VDD_IO)	—	41.6	—	mA
		802.11.b: 11 Mbps, from 1.8 V supplies (VDD_RF, VDD_D, VDD_IO)	—	42.3	—	mA
		802.11.g: 6 Mbps, from 1.8 V supplies (VDD_RF, VDD_D, VDD_IO)	—	44.7	—	mA
		802.11.g: 54 Mbps, from 1.8 V supplies (VDD_RF, VDD_D, VDD_IO)	—	47.1	—	mA
		802.11.n: MCS = 0, from 1.8 V supplies (VDD_RF, VDD_D, VDD_IO)	—	44.5	—	mA
		802.11.n: MCS = 7, from 1.8 V supplies (VDD_RF, VDD_D, VDD_IO)	—	47.6	—	mA

Parameter	Symbol	Test Condition	Min	Typ	Max	Unit
Sleep current on power supply pins <sup>1</sup>	I <sub>SLEEP</sub>	VDD_PA pin, V <sub>VDD_PA</sub> = 3.3 V	—	66	—	nA
		VDD_RF pin, V <sub>VDD_RF</sub> = 1.8 V	—	87	—	nA
		VDD_D pin, V <sub>VDD_D</sub> = 1.8 V	—	18.6	—	μA
		VDD_IO pin, V <sub>VDD_IO</sub> = 3.3 V	—	3.5	—	μA
Snooze current on power supply pins <sup>2</sup>	I <sub>SNOOZE</sub>	VDD_PA pin, V <sub>VDD_PA</sub> = 3.3 V	—	66	—	nA
		VDD_RF pin, V <sub>VDD_RF</sub> = 1.8 V	—	536	—	μA
		VDD_D pin, V <sub>VDD_D</sub> = 1.8 V	—	610	—	μA
		VDD_IO pin, V <sub>VDD_IO</sub> = 3.3 V	—	51	—	μA
Shutdown current on power supply pins <sup>3</sup>	I <sub>SHUTDOWN</sub>	VDD_PA pin, V <sub>VDD_PA</sub> = 3.3 V	—	67	—	nA
		VDD_RF pin, V <sub>VDD_RF</sub> = 1.8 V	—	67.4	—	nA
		VDD_D pin, V <sub>VDD_D</sub> = 1.8 V	—	16.4	—	nA
		VDD_IO pin, V <sub>VDD_IO</sub> = 3.3 V	—	49	—	nA
Average current for DTIM=1 Interval Profile <sup>4</sup>	I <sub>LP_DTIM1</sub>	VDD_PA pin, V <sub>VDD_PA</sub> = 3.3 V	—	154	—	nA
		VDD_RF pin, V <sub>VDD_RF</sub> = 1.8 V	—	437	—	μA
		VDD_D pin, V <sub>VDD_D</sub> = 1.8 V	—	454	—	μA
		VDD_IO pin, V <sub>VDD_IO</sub> = 3.3 V	—	3.7	—	μA
Average current for DTIM=3 Interval Profile <sup>4</sup>	I <sub>LP_DTIM3</sub>	VDD_PA pin, V <sub>VDD_PA</sub> = 3.3 V	—	128	—	nA
		VDD_RF pin, V <sub>VDD_RF</sub> = 1.8 V	—	128	—	μA
		VDD_D pin, V <sub>VDD_D</sub> = 1.8 V	—	166	—	μA
		VDD_IO pin, V <sub>VDD_IO</sub> = 3.3 V	—	3.6	—	μA
Average current for DTIM=10 Interval Profile <sup>4</sup>	I <sub>LP_DTIM10</sub>	VDD_PA pin, V <sub>VDD_PA</sub> = 3.3 V	—	118	—	nA
		VDD_RF pin, V <sub>VDD_RF</sub> = 1.8 V	—	38	—	μA
		VDD_D pin, V <sub>VDD_D</sub> = 1.8 V	—	65	—	μA
		VDD_IO pin, V <sub>VDD_IO</sub> = 3.3 V	—	3.7	—	μA

**Note:**

1. All memory is retained in sleep mode. WUP on timer and/or interrupt.
2. All memory is retained and Xtal oscillator is kept on if no 32 kHz clock is provided.
3. Requires complete start-up sequence to resume operation.
4. All DTIM currents assume a 1 ms beacon time duration with a beacon interval of 102.4ms from the AP.

**4.4 RF Transmitter General Characteristics**

Unless otherwise indicated, typical conditions are: Operating Ambient Temp = 25 °C, V<sub>VDD\_IO</sub> = V<sub>VDD\_D</sub> = V<sub>VDD\_RF</sub> = 1.8 V; V<sub>VDD\_PA</sub> = 3.3V, center frequency = 2,442 MHz, and measured in 50 Ω test equipment attached at antenna port.

Measurements for this specification are made using the RF\_1 port. See Section 5.4.1 [Antenna Ports](#).

#### 4.4.1 RF Transmitter Characteristics

**Table 4.4. RF Transmitter Characteristics**

Parameter	Symbol	Test Condition	Min	Typ	Max	Unit
Maximum RMS Output Power at pin <sup>1 2</sup>	POUT <sub>MAX_RMS_HPPA_PIN</sub>	802.11b: 1 Mbps	—	17.0	—	dBm
		802.11b: 11 Mbps	—	16.0	—	dBm
		802.11g: 6 Mbps	—	15.6	—	dBm
		802.11g: 54 Mbps	—	12.1	—	dBm
		802.11n: MCS=0	—	15.3	—	dBm
		802.11n: MCS=7	—	10.7	—	dBm
Maximum RMS Output Power at Antenna (High Power PA) <sup>2</sup>	POUT <sub>MAX_RMS_HPPA</sub>	802.11b: 1 Mbps	—	16.7	—	dBm
		802.11b: 11 Mbps	—	15.6	—	dBm
		802.11g: 6 Mbps	—	15.2	—	dBm
		802.11g: 54 Mbps	—	11.7	—	dBm
		802.11n: MCS=0	—	14.9	—	dBm
		802.11n: MCS=7	—	10.3	—	dBm
Second Harmonic Level for POUT <sub>MAX_PA</sub> Setting	H2 <sub>MAX</sub>	802.11b: 1 Mbps	—	-48	—	dBm
		802.11b: 11 Mbps	—	-52	—	dBm
		802.11g: 6 Mbps	—	-48	—	dBm
		802.11g: 54 Mbps	—	-50	—	dBm
		802.11n: MCS=0	—	-49	—	dBm
		802.11n: MCS=7	—	-51	—	dBm
Carrier Suppression per 802.11-2012 for POUT <sub>MAX_PA</sub> setting	C <sub>SUP</sub>	802.11b: 1 Mbps	—	-50	—	dBr
		802.11b: 11 Mbps	—	-45	—	dBr
		802.11g: 6 Mbps	—	-32	—	dBr
		802.11g: 54 Mbps	—	-42	—	dBr
		802.11n: MCS=0	—	-33	—	dBr
		802.11n: MCS=7	—	-38	—	dBr
POUT variation from VDD <sub>PA</sub> =3.0 V to 3.6 V	POUT <sub>MAX_VAR_V</sub>	VDD <sub>PA</sub> = 3.0 V to 3.6 V, Measured on single channel	—	1.1	—	dB
POUT variation across temperature	POUT <sub>MAX_VAR_T</sub>	25C to 85C	—	1.7	—	dB
POUT backoff variation from 50 Ω load specified VSWR <sup>3</sup>	VSWR	up to 2:1 VSWR	—	—	3.0	dB
		up to 3:1 VSWR	—	—	5.0	dB

Parameter	Symbol	Test Condition	Min	Typ	Max	Unit
<b>Note:</b>						
1. This is the maximum output level at the RF pin with optimum load impedance of 18.6-j9.6 Ω.						
2. Rated power levels may not apply to the edge channels, which may need additional backoff for FCC compliance.						
3. The maximum backoff levels are for MCS7 and channels 2 to 10. Backoff for channels 1 and 11 to ensure band-edge compliance are detailed in UG382: WF200 Hardware Design User's Guide.						

#### 4.5 RF Receiver General Characteristics

Unless otherwise indicated, typical conditions are: Operating Ambient Temp = 25 °C,  $V_{VDD\_IO} = V_{VDD\_D} = V_{VDD\_RF} = 1.8\text{ V}$ ;  $V_{VDD\_PA} = 3.3\text{V}$ , center frequency = 2,442 MHz, and measured in 50 Ω test equipment attached at antenna port.

Measurements for this specification are made using the RF\_1 port. See Section [5.4.1 Antenna Ports](#).

#### 4.5.1 RF Receiver Characteristics

**Table 4.5. RF Receiver Characteristics**

Parameter	Symbol	Test Condition	Min	Typ	Max	Unit
RX Sensitivity for 8% FER (1024 Octet)	SENS <sub>B</sub>	802.11b: 1 Mbps, at antenna	—	-96.3	—	dBm
		802.11b: 1 Mbps, at pin	—	-96.7	—	dBm
		802.11b: 11 Mbps, at antenna	—	-88.3	—	dBm
		802.11b: 11 Mbps, at pin	—	-88.7	—	dBm
RX Sensitivity for 10% PER (1024 Octet)	SENS <sub>G</sub>	802.11g: 6 Mbps, at antenna	—	-91.6	—	dBm
		802.11g: 6 Mbps, at pin	—	-92	—	dBm
		802.11g: 54 Mbps, at antenna	—	-74.8	—	dBm
		802.11g: 54 Mbps, at pin	—	-75.2	—	dBm
RX Sensitivity for 10% PER (4096 Octet)	SENSE <sub>N</sub>	802.11n: MCS=0, at antenna	—	-91.1	—	dBm
		802.11n: MCS=0, at pin	—	-91.5	—	dBm
		802.11n: MCS=7, at antenna	—	-71.8	—	dBm
		802.11n: MCS=7, at pin	—	-72.2	—	dBm
Adjacent Channel ( ± 30 MHz) Selectivity with desired signal at 6 dB above reference sensitivity for 8% FER (1024 Octet)	ACS <sub>WB</sub>	802.11b: 1 Mbps	—	54.4	—	dBc
		802.11b: 11 Mbps	—	40.4	—	dBc
Adjacent Channel ( ± 25 MHz) Selectivity with desired signal at 3 dB above reference sensitivity for 10% PER (1024 Octet)	ACS <sub>WG</sub>	802.11g: 6 Mbps	—	45.4	—	dBc
		802.11g: 54 Mbps	—	32.9	—	dBc
Adjacent Channel ( ± 25 MHz) Selectivity with desired signal at 3 dB above reference sensitivity for 10% FER (4096 Octet)	ACS <sub>WN</sub>	802.11n: MCS=0	—	45.9	—	dBc
		802.11n: MCS=7	—	30.5	—	dBc
2nd Adjacent Channel Selectivity ( ± 50 MHz) with desired at 6 dB above reference sensitivity 8% FER (1024 Octet)	A2CS <sub>WB</sub>	802.11b: 1 Mbps	—	59.7	—	dBc
		802.11b: 11 Mbps	—	52.1	—	dBc
2nd Adjacent Channel Selectivity ( ± 50 MHz) with desired at 3 dB above reference sensitivity 10% PER (1024 Octet)	A2CS <sub>WG</sub>	802.11g: 6 Mbps	—	55.1	—	dBc
		802.11g: 54 Mbps	—	38.2	—	dBc
2nd Adjacent Channel Selectivity ( ± 50 MHz) with desired at 3 dB above reference sensitivity 10% PER (4096Octet)	A2CS <sub>WN</sub>	802.11n: MCS=0	—	54.8	—	dBc
		802.11n: MCS=7	—	35.7	—	dBc

Parameter	Symbol	Test Condition	Min	Typ	Max	Unit
RX Max Strong Signal for 8% FER (1024 Octet)	RX <sub>SAT_B</sub>	802.11b: 1 Mbps	—	-4.0	—	dBm
		802.11b: 11 Mbps	—	-10.0	—	dBm
RX Max Strong Signal for 10% PER (1024 Octet)	RX <sub>SAT_G</sub>	802.11g: 6 Mbps	—	-9.0	—	dBm
		802.11g: 54 Mbps	—	-9.0	—	dBm
RX Max Strong Signal for 10% PER (4096 Octet)	RX <sub>SAT_N</sub>	802.11n: MCS=0	—	-9.0	—	dBm
		802.11n: MCS=7	—	-9.0	—	dBm
U/D with desired at 6 dB above reference sensitivity for 8% FER (1024 Octet)	OOBB <sub>B</sub>	802.11b: 1 Mbps : GSM Blocker at 893.8 MHz	—	76.0	—	dB
		802.11b: 1 Mbps : GSM Blocker at 960 MHz	—	75.0	—	dB
		802.11b: 1 Mbps : GSM Blocker at 1879.8 MHz	—	64.0	—	dB
		802.11b: 1 Mbps : GSM Blocker at 1989.8 MHz	—	63.0	—	dB
		802.11b: 1 Mbps : LTE Blocker at 893.8 MHz	—	76.0	—	dB
		802.11b: 1 Mbps : LTE Blocker at 960 MHz	—	75.0	—	dB
		802.11b: 1 Mbps : LTE Blocker at 1879.8 MHz	—	65.0	—	dB
		802.11b: 1 Mbps : LTE Blocker at 2506 MHz	—	56.0	—	dB
U/D with desired at 3 dB above reference sensitivity for 10% PER (1024 Octet)	OOBB <sub>G</sub>	802.11g: 6 Mbps : GSM Blocker at 893.8 MHz	—	81.0	—	dB
		802.11g: 6 Mbps : GSM Blocker at 960 MHz	—	80.0	—	dB
		802.11g: 6 Mbps : GSM Blocker at 1879.8 MHz	—	69.0	—	dB
		802.11g: 6 Mbps : GSM Blocker at 1989.8 MHz	—	67.0	—	dB
		802.11g: 6 Mbps : LTE Blocker at 893.8 MHz	—	75.0	—	dB
		802.11g: 6 Mbps : LTE Blocker at 960 MHz	—	74.0	—	dB
		802.11g: 6 Mbps : LTE Blocker at 1879.8 MHz	—	62.0	—	dB
		802.11g: 6 Mbps : LTE Blocker at 2506 MHz	—	57.0	—	dB

Parameter	Symbol	Test Condition	Min	Typ	Max	Unit
U/D with desired at 3 dB above reference sensitivity for 10% PER (4096 Octet)	OOBB <sub>N</sub>	802.11n: MCS=7 : GSM Blocker at 893.8 MHz	—	55.0	—	dB
		802.11n: MCS=7 : GSM Blocker at 960 MHz	—	54.0	—	dB
		802.11n: MCS=7: GSM Blocker at 1879.8 MHz	—	45.0	—	dB
		802.11n: MCS=7: GSM Blocker at 1989.8 MHz	—	44.0	—	dB
		802.11n: MCS=7: LTE Blocker at 893.8 MHz	—	54.0	—	dB
		802.11n: MCS=7 : LTE Blocker at 960 MHz	—	53.0	—	dB
		802.11n: MCS=7 : LTE Blocker at 1879.8 MHz	—	42.0	—	dB
		802.11n: MCS=7 : LTE Blocker at 2506 MHz	—	38.0	—	dB
RX Channel power Indicator Step Size	RCPI <sub>STEP</sub>	802.11b: 1 Mbps	—	0.5	—	dBm
		802.11g: 6 Mbps	—	0.5	—	dBm
		802.11n: MCS=7	—	0.5	—	dBm

#### 4.6 Reference Oscillator and Clock Characteristics

There are two options for the 38.4 MHz Reference Oscillator. Use an external oscillator like a TCXO, or use a crystal with the internal oscillator. The operating temperature range of the application will be limited by the selected component's operating temperature specification. To achieve lowest power operation during power save modes, a 32.768 KHz clock is also required.

#### 4.6.1 Crystal Requirements for using Internal Oscillator

The choice of the crystal affects several parameters including control settings, RF performance, frequency accuracy, and average current consumption in applications that incorporate periodic wake and sleep states. The frequency accuracy of the crystal is the main contributor to Wi-Fi frequency accuracy which must be within +/-25ppm tolerance for 802.11 b, g, and n, in 20MHz channel operation over all of the operating conditions. Refer to UG382: WF200 Hardware Design User's Guide for more details.

**Table 4.6. Crystal Requirements for Using Internal Oscillator**

Parameter	Symbol	Test Condition	Min	Typ	Max	Unit
Nominal Frequency of HF Crystal Oscillator	XTAL <sub>FNOM</sub>		—	38.4	—	MHz
Frequency tolerance of crystal over all conditions	XTAL <sub>FTOL</sub>		-25	—	25	ppm
Crystal Load Cap	HFX <sub>CL</sub>		8	10	12	pF
Equivalent Series Resistance	HFX <sub>ESR</sub>		—	20	40	Ω
Motional Capacitance	HFX <sub>CM</sub>		2	—	4	fF
Motional Inductance	HFX <sub>LM</sub>		4	—	8	mH
Shunt Capacitance	HFX <sub>CS</sub>		—	0.8	2	pF
Pulling Sensitivity	HFX <sub>PULL</sub>		8	12	20	ppm/pF
Crystal withstanding drive strength	HFX <sub>DL</sub>		—	—	200	uW
Quality Factor	HFX <sub>Q</sub>		35000	—	—	
Spurious Mode Series Resistance	HFX <sub>SPUR</sub>	± 0.7 MHz away from XTAL <sub>FNOM</sub>	1100	—	—	Ω
Insulation Resistance 100 V	HFX <sub>IR</sub>		500	—	—	MΩ

#### 4.6.2 External Oscillator Required Characteristics

An external oscillator, like a TCXO, must provide a stable and high quality signal in order for this IC to meet its performance specifications. This section lists some of the requirements. If the host powers down the TCXO when going into a low power state, the host must also turn on the TCXO in advance of any transceiver activity.

**Table 4.7. Reference Oscillator Requirements**

Parameter	Symbol	Test Condition	Min	Typ	Max	Unit
Nominal frequency of HF crystal oscillator	TCXO <sub>FNOM</sub>		—	38.4	—	MHz
Frequency tolerance of TCXO over all conditions	TCXO <sub>FTOL</sub>		-20	—	20	ppm
Load Resistance of TCXO	TCXO <sub>RL</sub>		7	10	15	KOhm
Load capacitance of TCXO	TCXO <sub>CL</sub>		6	10	15	pF
Output level of TCXO	TCXO <sub>LEVEL</sub>		0.7	0.9	1.2	V p-p
Symmetry of TCXO	TCXO <sub>SYMT</sub>		45	50	55	%
Startup time of TCXO	TCXO <sub>START</sub>		—	—	2	ms
SSB Phase Noise of TCXO	SSB1	10Hz offset	—	—	-100	dBc/Hz
SSB Phase Noise of TCXO	SSB2	100Hz offset	—	—	-110	dBc/Hz
SSB Phase Noise of TCXO	SSB3	1KHz offset	—	—	-130	dBc/Hz
SSB Phase Noise of TCXO	SSB4	10KHz offset	—	—	-145	dBc/Hz
SSB Phase Noise of TCXO	SSB5	100KHz offset	—	—	-150	dBc/Hz
SSB Phase Noise of TCXO	SSB6	1 MHz offset	—	—	-150	dBc/Hz

#### 4.6.3 Low Power 32.768 kHz Clock Input Requirements

**Table 4.8. Low Power 32.768 kHz Clock Input Requirements**

Parameter	Symbol	Test Condition	Min	Typ	Max	Unit
Nominal Frequency of LP_CLK	FNOM <sub>LPCLK</sub>		—	32.768	—	KHz
Frequency Tolerance of LP_CLK over all conditions <sup>1</sup>	FTOL <sub>LPCLK</sub>		-1000	—	1000	ppm
Load of LP_CLK pin	R <sub>LPCLK</sub>		—	30	—	KOhm
Input Level at LP_CLK	SIGL <sub>LPCLK</sub>		0.7 * VDD <sub>IO</sub>	—	VDD <sub>IO</sub>	V p-p
Symmetry of LP_CLK	DUTY <sub>LPCLK</sub>		—	50	—	%

**Note:**

1. To optimize power consumption in DTIM modes, it is recommended that the frequency drift of LP\_CLK within 1 second be lower than +/- 100ppm.

## 4.7 Interface Terminal Characteristics

Unless otherwise indicated, typical conditions are: Operating Ambient Temp = 25 °C,  $V_{VDD\_IO} = V_{VDD\_D} = V_{VDD\_RF} = 1.8\text{ V}$ ;  $V_{VDD\_PA} = 3.3\text{V}$ , center frequency = 2,442 MHz, and measured by 50  $\Omega$  test equipment attached at antenna port.

### 4.7.1 Supply Terminal Specifications

There are four supply pins to attach to DC power sources: VDD\_PA, VDD\_RF, VDD\_D and VDD\_IO.

Please refer to the section on [4.2 Operating Conditions](#) for details on allowed voltages on these pins.

### 4.7.2 Digital I/O Terminal Specifications

**Table 4.9. Digital I/O Terminal Specifications**

Parameter	Symbol	Test Condition	Min	Typ	Max	Unit
Voltage input low (relative to $V_{VDD\_IO}$ )	$V_{IL}$		—	—	30	%
Voltage input high (relative to $V_{VDD\_IO}$ )	$V_{IH}$		70	—	—	%
Logic low output voltage (relative to $V_{VDD\_IO}$ )	$V_{OL}$	Sinking 5 mA, $V_{VDD\_IO} \geq 1.62\text{ V}$	—	—	25	%
Logic high output voltage (relative to $V_{VDD\_IO}$ )	$V_{OH}$	Sourcing 5 mA, $V_{VDD\_IO} \geq 1.62\text{ V}$	80	—	—	%
Input leakage current	$I_{Leak}$		—	1	—	nA
Pullup resistance	$R_{PU}$		30	43	65	k $\Omega$
Pulldown resistance <sup>1</sup>	$R_{PD}$		30	43	65	k $\Omega$
Output fall time from $V_{OH}$ to $V_{OL}$	$T_{OF}$	50 pF load, $V_{VDD\_IO} = 1.62\text{ V}$	—	15	—	ns
Output rise time from $V_{OL}$ to $V_{OH}$	$T_{OR}$	50 pF load, $V_{VDD\_IO} = 1.62\text{ V}$	—	15	—	ns

**Note:**  
 1. RESETn pin has only pull-up resistance.

## 4.8 Host Interface

The host interface allows control of WF200 by an MCU or SoC using either SPI or SDIO. Selection between SPI and SDIO is done upon the logic state on SDIO\_DAT2/HIF\_SEL pin during the rising edge of RESETn signal. If this signal is HIGH, the host interface is configured as SDIO, otherwise it is configured as SPI. The tables below summarizes the pin configurations for the two modes and the achievable speeds on both interfaces

**Table 4.10. WF200 SPI and SDIO interface pin configuration**

WF200 Pin Name	SPI Mode		SDIO Mode	
RESETn	0 -> 1	1	0 -> 1	1
SDIO_DAT2/HIF_SEL	0	x	1	SDIO_DAT2
SDIO_CLK/SPI_CLK	x	SPI_CLK	x	SDIO_CLK
SDIO_CMD/SPI_MOSI	x	SPI_MOSI	x	SDIO_CMD

WF200 Pin Name	SPI Mode		SDIO Mode	
SDIO_DAT0/SPI_MISO	x	SPI_MISO	x	SDIO_DAT0
SDIO_DAT1/SPI_WIRQ	x	WIRQ (interrupt request to the SPI host)	x	SDIO_DAT1
SDIO_DAT3/SPI_CS <sub>n</sub>	x	SPI_CS <sub>n</sub>	x	SDIO_DAT3

**Table 4.11. Host Interface Speeds**

Parameter	Symbol	Test Condition	Min	Typ	Max	Unit
SDIO V2.0 clock rate	SD <sub>Rate</sub>	Host Interface SDIO DS Mode	—	—	26	MHz
		Host Interface SDIO HS Mode	—	—	52	MHz
SPI clock rate	SPI <sub>Rate</sub>	Host Interface SPI	—	—	52	MHz

Besides the main host interface signals, a couple of other pins also complement the host interface. See AN1219 for more details:

- The GPIO/WUP pin should be used by the host to wake up the WF200 when in power-save mode. This pin is programmable and if power save is not enabled on the device, this pin can be configured as a GPIO. Note that this pin should be LOW to enable the WF200 to reach sleep or shutdown modes.
- GPIO/WIRQ can also optionally be used as a duplication of the IRQ signal from SPI or SDIO. If this is not required, the pin can be configured as a GPIO.

### 4.8.1 SPI Specification

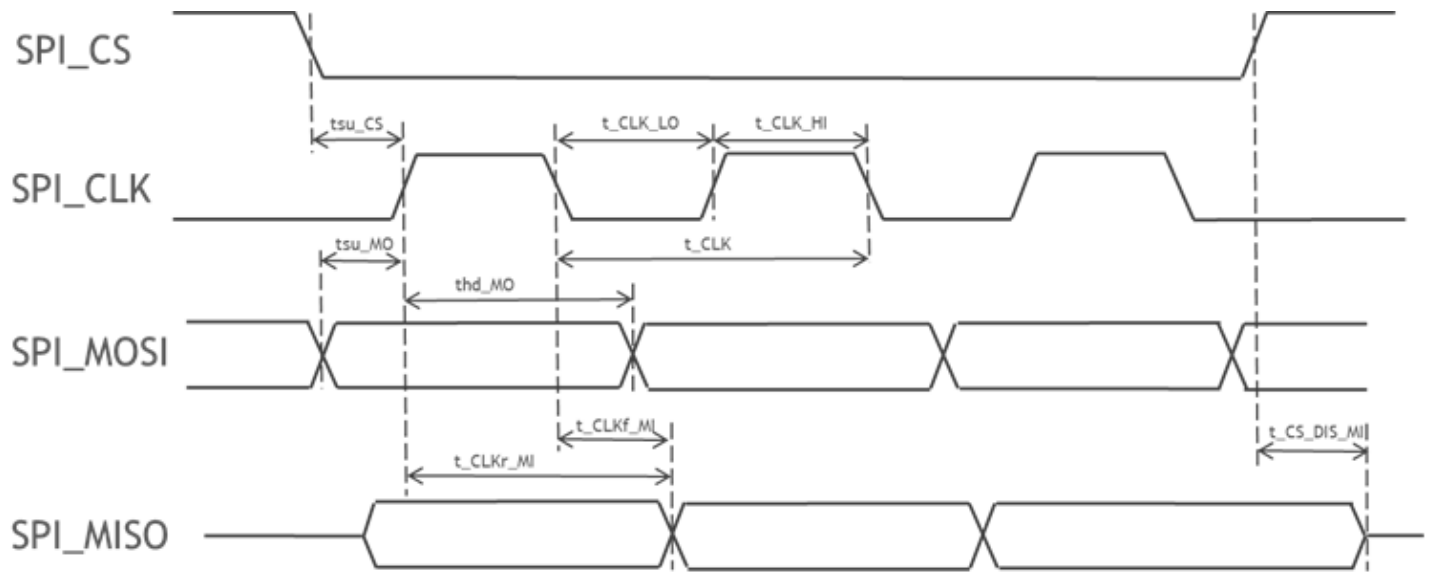


Figure 4.1. SPI Interface Timing Parameters

Table 4.12. SPI Interface Timing Specifications

Symbol	Description	Min.	Typ.	Max.	Unit
$t_{CLK}$	Clock period	19.23 <sup>1</sup>			ns
$t_{CLK\_HI}$	Clock high	9			ns
$t_{CLK\_LO}$	Clock low	9			ns
$t_{CS\_DIS\_MI}$	CS disable to MISO. VDD <sub>IO</sub> = 3.3V			8	ns
	CS disable to MISO. VDD <sub>IO</sub> = 1.8V			10	ns
$t_{SU\_CS}$	CS setup time	3			ns
$t_{SU\_MO}$	MOSI setup time	3			ns
$t_{HD\_MO}$	MOSI hold time	3			ns
$t_{CLKr\_MI}, t_{CLKf\_MI}$	CLK to MISO out; VDD <sub>IO</sub> = 3.3V			10	ns
	CLK to MISO out; VDD <sub>IO</sub> = 1.8V			21	ns

**Note:**

1. 19.23 ns = 1/52 MHz
2. MISO can optionally be latched either on rising edge or falling edge of CLK
3. All timing parameters valid for output load up to 2 mA

### 4.8.2 SDIO Specification

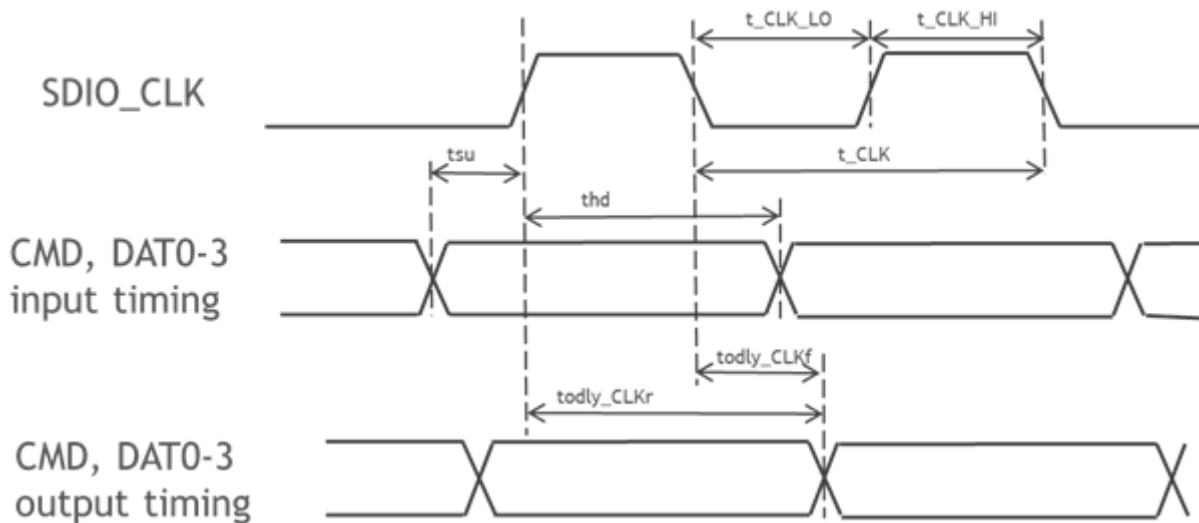


Figure 4.2. SDIO Interface Timing Parameters

Table 4.13. SDIO Interface Timing Specifications

Symbol	Description	Min	Typ	Max	Unit	Conditions
$t_{CLK\_HS}$	Clock period in high speed mode	19.23			ns	$CL \leq 20pF$
$t_{CLK\_DS}$	Clock period in default speed mode	38.46			ns	$CL \leq 20pF$
$t_{CLK\_LO}$	Clock low time	9			ns	$CL \leq 20pF$
$t_{CLK\_HI}$	Clock high time	9			ns	$CL \leq 20pF$
CMD, DAT0~3 Inputs (with reference to SDIO_CLK)						
$t_{SU}$	Input Set time	3			ns	$CL \leq 20pF$
$t_{HD}$	Input Hold time	3			ns	$CL \leq 20pF$
CMD, DAT0~3 Outputs (with reference to SDIO_CLK)						
$t_{ODLY\_CLKr}$ , $t_{ODLY\_CLKf}$	Output delay time (relative to rising and falling edge) for $VDD = 3.3V$			11	ns	$VDD_{IO} = 3.3V$ ; $CL \leq 20pF$
	Output delay time (relative to rising and falling edge) for $VDD = 1.8V$			22	ns	$VDD_{IO} = 1.8V$ ; $CL \leq 20pF$
$t_{OH}$	Output Hold time	3			ns	$CL \leq 20pF$
1. Output data can be latched either on rising edge (HS mode) or falling edge (DS mode) of CLK 2. All timing parameters valid for output load of up to 2 mA						

## 5. Typical Applications and Connections

### 5.1 Typical Application Circuit for SDIO Host Interface

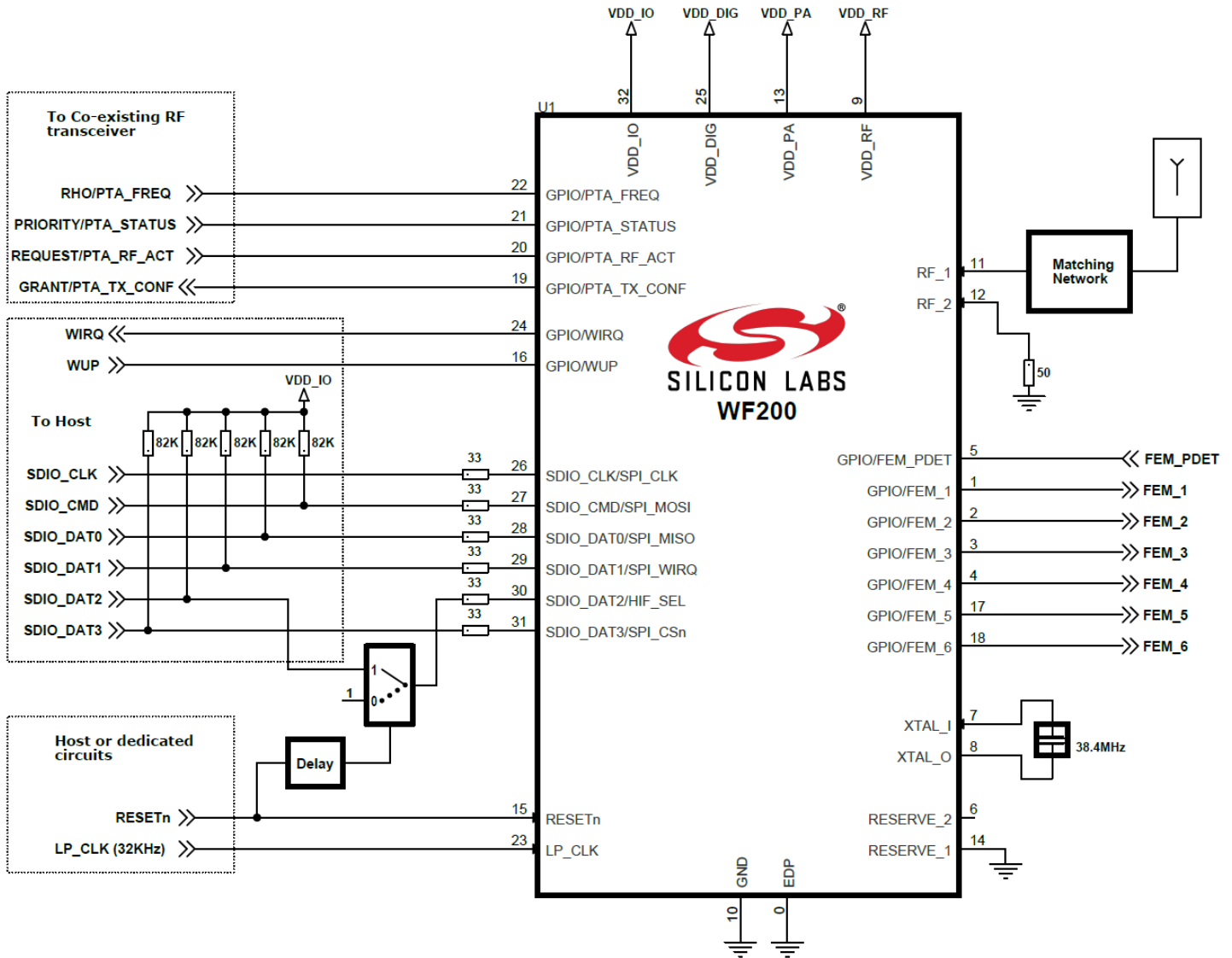


Figure 5.1. Typical Application Circuit SDIO Host Interface

**Note:**

- The SDIO pin pullup resistors are only required if the Host does not integrate internal pull-ups on SDIO signals as required by the SDIO standard.
- Refer to UG382: WF200 Hardware Design User's Guide for more details on the application circuit.

## 5.2 Typical Application Circuit for SPI Host Interface

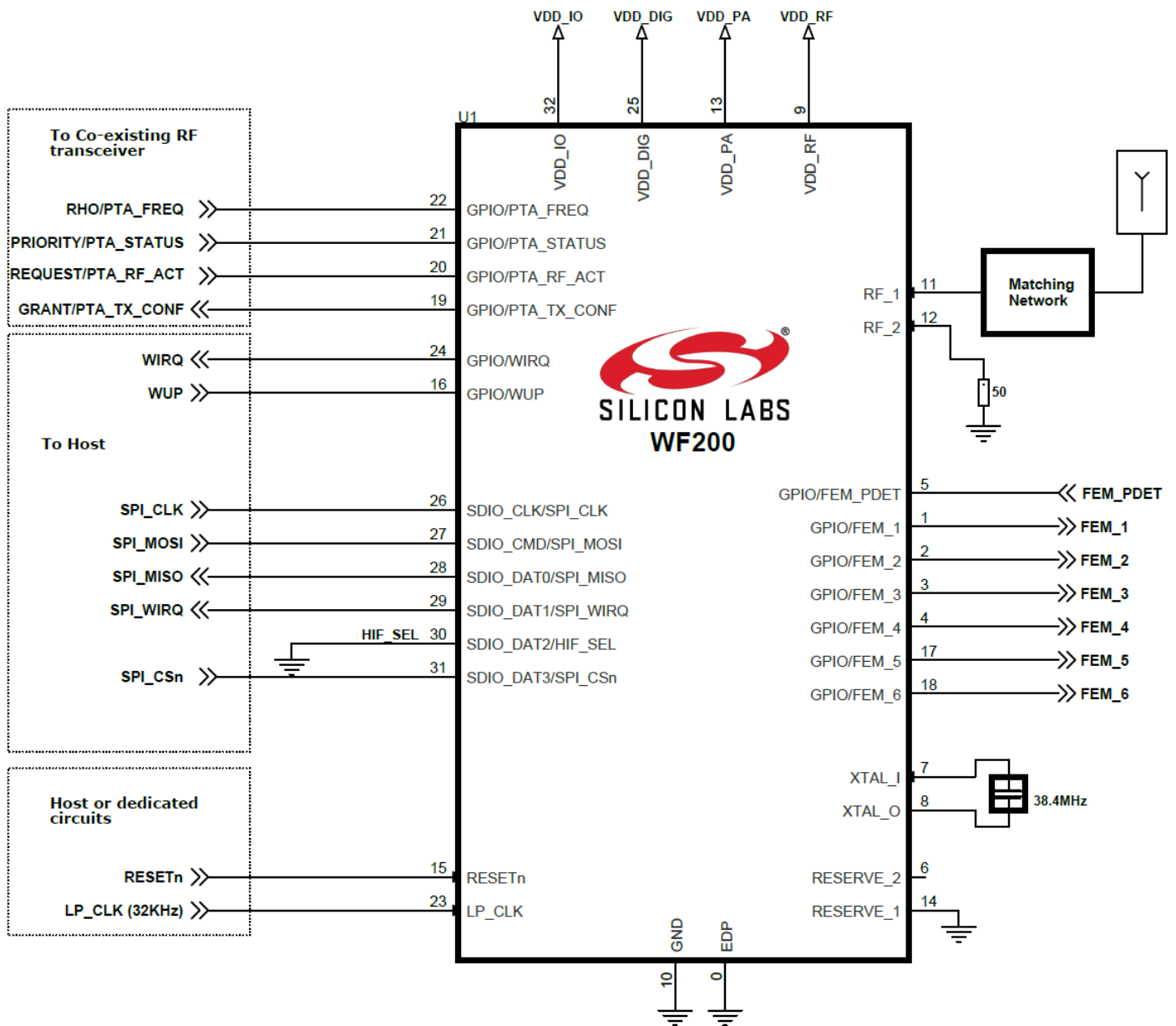


Figure 5.2. Typical Application Circuit SPI Host Interface

**Note:**

- Refer to UG382: WF200 Hardware Design User's Guide for more details on the application circuit.

### 5.3 Power States and Low-Power Modes

The current consumption on WF200 is highly dynamic. It varies significantly depending on its activity, the activation of power-save modes, and when it is in shutdown.

There are four main modes, each of them having several power states as detailed below.

**Traffic mode:** The Traffic mode is defined as the mode when WF200 is transmitting data, receiving data, or listening to the channel. If power save is not activated, the device stays in listen mode when there is no traffic. Current consumption is similar between receive and listen modes, while it is higher during transmission.

**Power save modes:** When power save mode is activated, the device goes to a low-consumption mode and wakes-up periodically to listen to network beacons, so the device stays associated to the network. The current consumption, while receiving beacons, is as mentioned above for reception.

There are three power-save/low-power consumption cases:

1. **Sleep:** If a 32 KHz clock is available at LP\_CLK input, then the device goes in sleep mode between reception of beacons. In this mode, most of the chip is turned off (including Xtal oscillator and host interface) to reduce the power consumption as much as possible. Given that the host interface is shut down in this mode, the host should assert the WUP pin to wake up the device before any communication with the host can be achieved.
2. **Sleep with XO on:** If low-power clock is not available on LP\_CLK or if the Xtal oscillator cannot be shut down if the Xtal is shared, then the device goes in "Sleep with XO on" mode between reception of beacons. In this mode, the Xtal oscillator is active, so the typical consumption is higher.
3. **Snooze:** If low-power clock is not available on LP\_CLK then the device goes in snooze mode between reception of beacons. In this mode, a smaller part of the device is shut down and the XO is always enabled, so the typical consumption is higher.

The sleep or snooze state/mode can also be achieved when not associated if the firmware decides there are no tasks to perform when the wake-up signal (pin GPIO/WUP) from host is low.

**Shutdown mode:** Shutdown mode is the case where the transceiver is shut down and reaches the lowest power consumption while still being connected to the power supplies. Getting out of stand-by requires a complete start-up sequence triggered by RESETn pin being set from low to high.

**Reset mode:** When RESETn is low, the consumption is typically 76  $\mu$ A, mainly due to the RESETn pull-up resistor within the device.

### 5.4 RF Connections

#### 5.4.1 Antenna Ports

This device has two RF ports to allow antenna diversity using an internal switch. In applications with only one antenna, the un-used port should be terminated to ground through a resistor between 47 to 51 Ohm. In applications desiring to use a Front End Module (FEM), one of these ports could be used for Transmit, and the other RF Port for Receive.

#### 5.4.2 Antenna Diversity

In Applications where the main antenna is subject to obstruction or de-tuning, a second antenna can be used at the alternate antenna port by using the switched antenna diversity report. The location of this second antenna should be such that both cannot be prevented from operating satisfactorily by the same event. A firmware feature can be invoked to determine which antenna has a better path to the remote WiFi Device.

#### 5.4.3 FEM Support

WF200 supports the use of an external Front End Module (FEM) for customers desiring higher output power than what is provided by the built-in RF front end inside WF200. The device has a low power PA that can be used to drive an external FEM. The following plots can be used to help configure the FEM power levels and settings so that the system has adequate margin to EVM, FCC restricted band emission and mask margin.

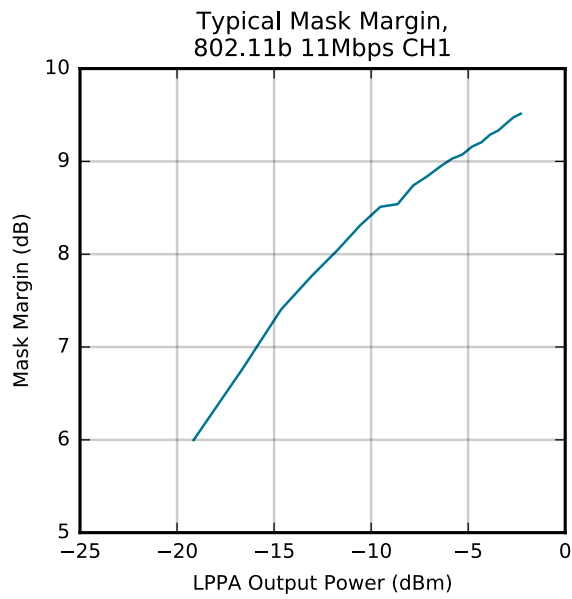
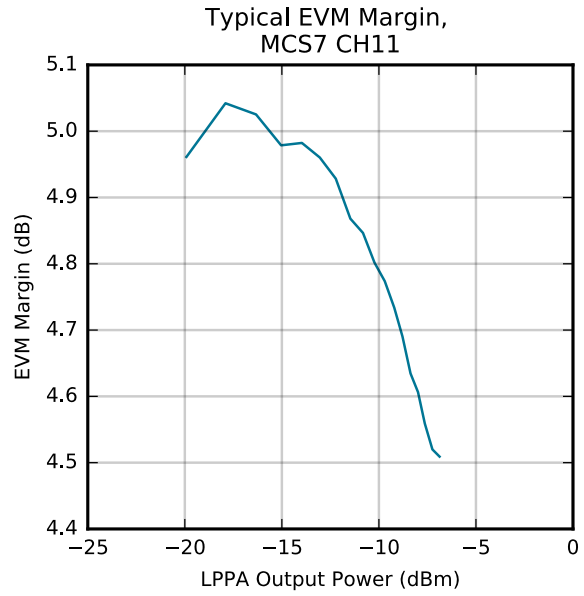
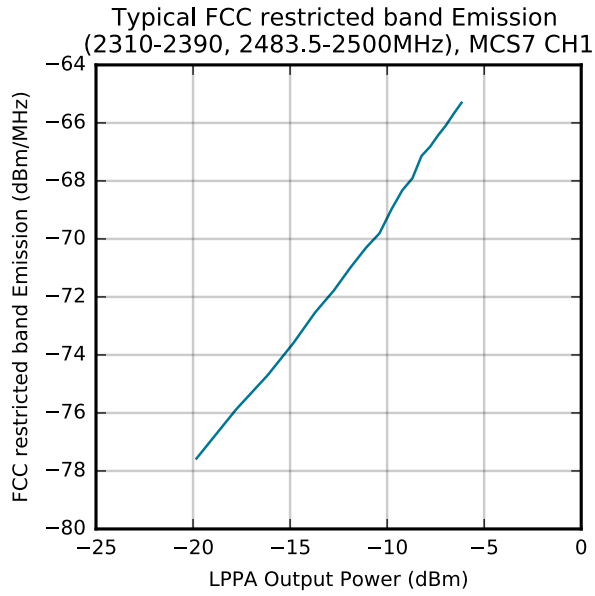


Figure 5.3. Low Power PA Emissions and Margin

## 5.5 Clocks

### 5.5.1 XTAL\_I and XTAL\_O connections for Crystal

Connect the signal pins of a 38.4MHz crystal to the XTAL\_O and XTAL\_I pins with very short traces. These traces on the PCB should have short length, and minimal parasitic load. There is normally no need for external parallel capacitors because this IC includes internal load capacitors which have programmable values. The value of these load capacitors will have to be determined which center the operating frequency for the design of the crystal and PCB. This value will have to be included in firmware. Firmware will program the prescribe load capacitance prior to startup, and the value should not change during operation. See UG382: WF200 Hardware Design Users Guide for more details of the crystal connections to this IC.

### 5.5.2 XTAL\_I and XTAL\_O connections for TCXO

When using a TCXO to provide 38.4MHz clock input, a series 1000pF capacitor is required between the TCXO output pin and XTAL\_I pin to block DC. The XTAL\_O pin can be left unconnected.

### 5.5.3 LP\_CLK Port

A 32.768KHz clock source should be supplied to LP\_CLK pin to enable the lowest power operation in power save modes. The frequency tolerance of this source affects wake up scheduling.

## 5.6 Multi-Protocol Coexistence

In case an RF transceiver using the same 2.4 GHz band (e.g. Bluetooth, Zigbee, or Thread) is co-located with the WF200 Wi-Fi transceiver, the Packet Traffic Arbitration (PTA) interface can be used to minimize mutual interference. In this case, PTA pins are connected to the other transceiver. The PTA interface is highly programmable and can use 1, 2, 3, or 4 pins upon configuration. WF200 embeds a Packet Traffic Arbitration block in order to share the access to the RF medium between WLAN and another standard.

Depending on manufacturer, PTA signal names can vary and the table below shows some alternative naming:

**Table 5.1. PTA Alternative Naming**

WF200 Pin Name	Alternative Names
PTA_TX_CONF	GRANT, WL_ACTIVE, WL_DENY
PTA_RF_ACT	REQUEST, BT_ACTIVE
PTA_STATUS	PRIORITY, BT_STATUS
PTA_FREQ	FREQ, BT_FREQ

PTA interface configuration is also achieved via the configuration file.

See <https://docs.silabs.com/wifi/wf200/additional-resources#documentation> for more information regarding PTA and coexistence management on WF200, as well as AN1017 and AN1128 for EFR32BGx and EFR32MGx devices supporting BLE, Zigbee, and Thread.

## 6. Pin Descriptions

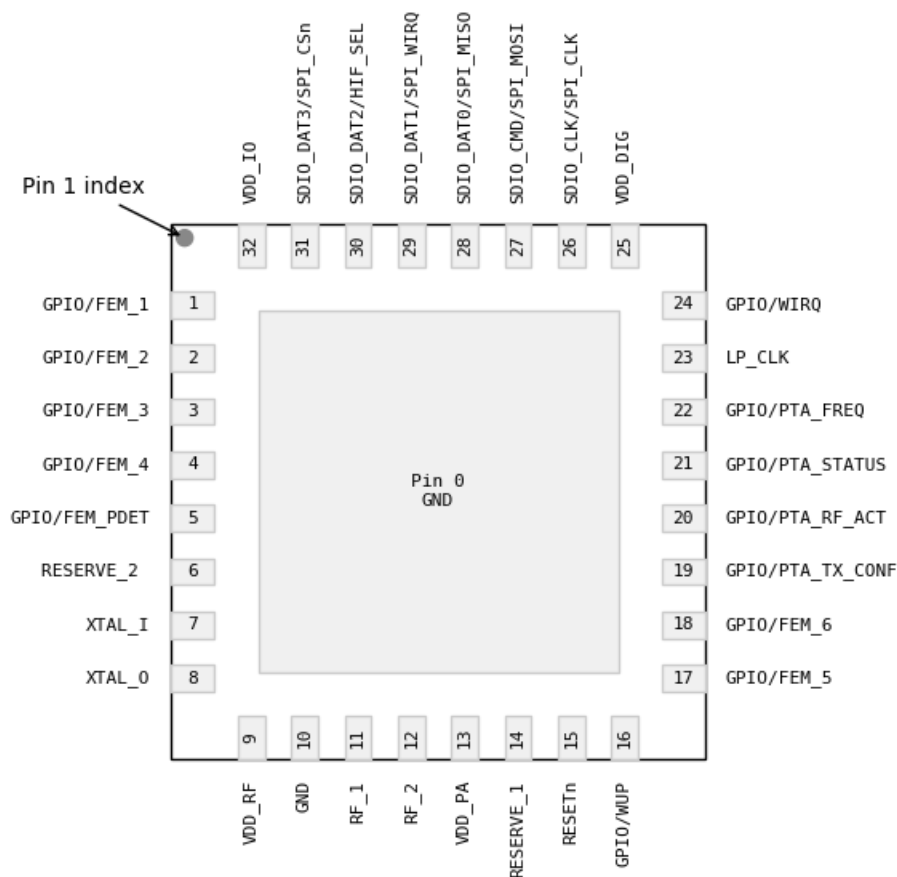


Figure 6.1. WF200 Pinout

Table 6.1. Pin Definitions

Pin #	Pin Name	I/O	Description / Default
1	GPIO/FEM_1	I/O	This pin can be used for dynamic control of an external front-end module (FEM), otherwise this can be used as GPIO.
2	GPIO/FEM_2	I/O	This pin can be used for dynamic control of an external front-end module (FEM), otherwise this can be used as GPIO.
3	GPIO/FEM_3	I/O	This pin can be used for dynamic control of an external front-end module (FEM), otherwise this can be used as GPIO.
4	GPIO/FEM_4	I/O	This pin can be used for dynamic control of an external Power amplifier detector output (Vdet) in case an external power amplifier or a FEM is used. Otherwise this can be used as GPIO.
5	GPIO/FEM_PDET	I/O	Programmable Pins / FEM Power detector Interface
6	RESERVE_2	I/O	Reserved. This pin should be left unconnected.
7	XTAL_I	I	Crystal pin 1 (or reference clock input if driven by TCXO)
8	XTAL_O	O	Crystal pin 2 (leave floating if XTAL_I driven by TCXO)
9	VDD_RF	I	RF power supply

Pin #	Pin Name	I/O	Description / Default
10	GND	GND	Ground
11	RF_1	I/O	RF Port 1 to connect to main antenna
12	RF_2	I/O	RF Port 2 to connect to diversity antenna
13	VDD_PA	I	PA Power Supply
14	RESERVE_1	GND	Reserved. For normal operation, this pin must be grounded
15	RESETn	I	Reset pin, active low
16	GPIO/WUP	I/O	This pin can be used to wake up the device from sleep mode, or used as a GPIO
17	GPIO/FEM_5	I/O	This pin can be used to dynamically control an external front-end module (FEM), otherwise this can be used as GPIO.
18	GPIO/FEM_6	I/O	This pin can be used to dynamically control an external front-end module (FEM), otherwise this can be used as GPIO.
19	GPIO/PTA_TX_CONF	I/O	As part of PTA interface, this pin can be used to manage co-existence with another 2.4 GHz radio or can be used as a GPIO
20	GPIO/PTA_RF_ACT	I/O	As part of PTA interface, this pin can be used to manage co-existence with another 2.4 GHz radio or can be used as a GPIO
21	GPIO/PTA_STATUS	I/O	As part of PTA interface, this pin can be used to manage co-existence with another 2.4 GHz radio or can be used as a GPIO
22	GPIO/PTA_FREQ	I/O	As part of PTA interface, this pin can be used to manage co-existence with another 2.4 GHz radio or can be used as a GPIO
23	GPIO/LP_CLK	I	Low Power clock input. This pin is typically connected to the 32 KHz reference clock.
24	GPIO/WIRQ	I/O	In SDIO mode, this pin is an interrupt pin from WF200 to host to indicate a message or data should be read. In SPI mode, this pin can be used as a GPIO.
25	VDD_DIG	I	Digital Power Supply. Identical to VDD_D
26	SDIO_CLK/ SPI_CLK	I	Host interface: SDIO_CLK or SPI_CLK
27	SDIO_CMD/ SPI_MOSI	I/O	Host interface: SDIO_CMD or SPI_MOSI
28	SDIO_DAT0/ SPI_MISO	I/O	Host interface: SDIO_DAT0 or SPI_MISO
29	SDIO_DAT1 / SPI_WIRQ	I/O	Host interface: SDIO_DAT1 or WIRQ
30	SDIO_DAT2/ HIF_SEL	I/O	Host interface selection: Used to select the host interface during reset rising edge. If Low, selects SPI interface. When High, selects SDIO interface and this pin becomes SDIO_DAT2
31	SDIO_DAT3/ SPI_CS <sub>n</sub>	I/O	Host interface: SDIO_DAT3 or SPI_CS <sub>n</sub>
32	VDD_IO	I	IO Power Supply
0	GND	GND	Exposed Die Pad

## 7. Package Outline

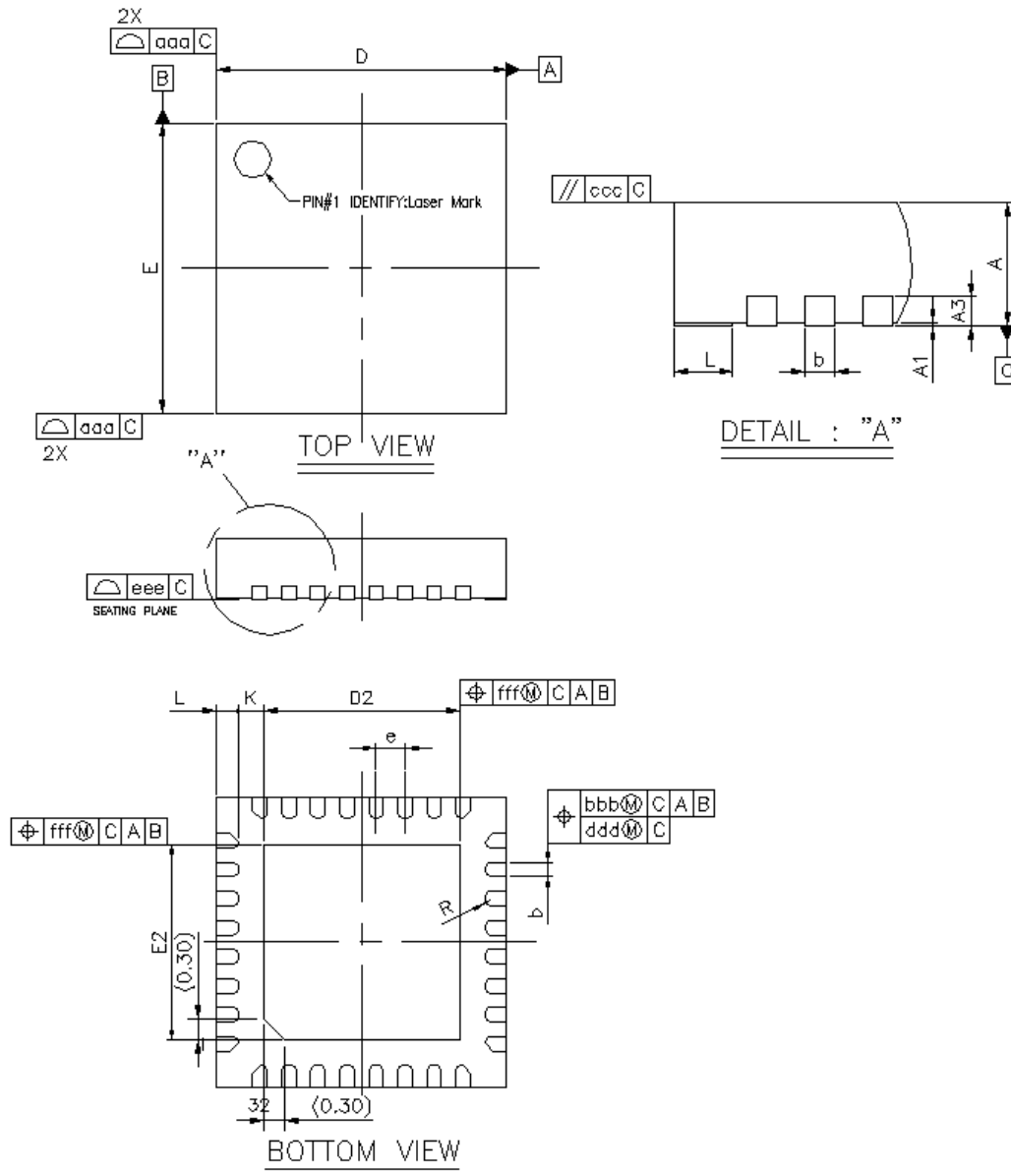
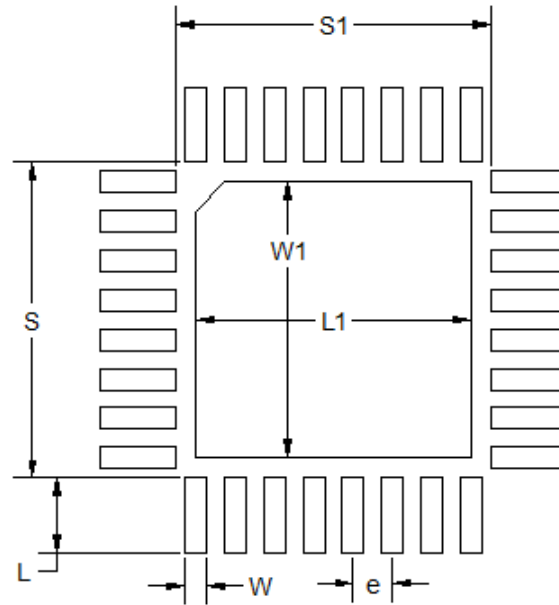


Figure 7.1. WF200 Package Outline

**Table 7.1. WF200 Package Diagram Dimensions**

Dimension	MIN		NOM	MAX
A	0.80		0.85	0.90
A1	0.00		0.02	0.05
A3	0.20 REF			
b	0.15		0.20	0.25
D	3.90		4.00	4.10
E	3.90		4.00	4.10
D2	2.60		2.70	2.80
E2	2.60		2.70	2.80
e	0.40 BSC			
L	0.20	0.30		0.40
K	0.20	---		---
R	0.075	---		0.125
aaa	0.10			
bbb	0.07			
ccc	0.10			
ddd	0.05			
eee	0.08			
fff	0.10			

## 8. Land Pattern



**Figure 8.1. WF200 Land Pattern**

Dimension	mm
L	0.76
W	0.22
e	0.40
S	3.21
S1	3.21
L1	2.80
W1	2.80

### **General**

- All dimensions shown are in millimeters (mm) unless otherwise noted.
- This land pattern design is based on the IPC-7351 guidelines.

### **Solder Mask Design**

- All metal pads are to be non-solder mask defined (NSMD). Clearance between the solder mask and the metal pad is to be 60  $\mu$ m minimum, all the way around the pad.

### **Stencil Design**

- A stainless steel, laser-cut and electro-polished stencil with trapezoidal walls should be used to assure good solder paste release.
- The stencil thickness should be 0.101mm (4 mils).
- The ratio of stencil aperture to land pad size should be 1:1 for all perimeter pads.
- A 2x2 array of 1.10mm x 1.10mm openings on 1.30mm pitch should be used for the center ground pad.

### **Card Assembly**

- A No-Clean, Type-3 solder paste is recommended.
- The recommended card reflow profile is per the JEDEC/IPC J-STD-020 specification for Small Body Components.

**Note:** Above notes and stencil design are shared as recommendations only. A customer or user may find it necessary to use different parameters and fine tune their SMT process as required for their application and tooling.

9. Top Marking

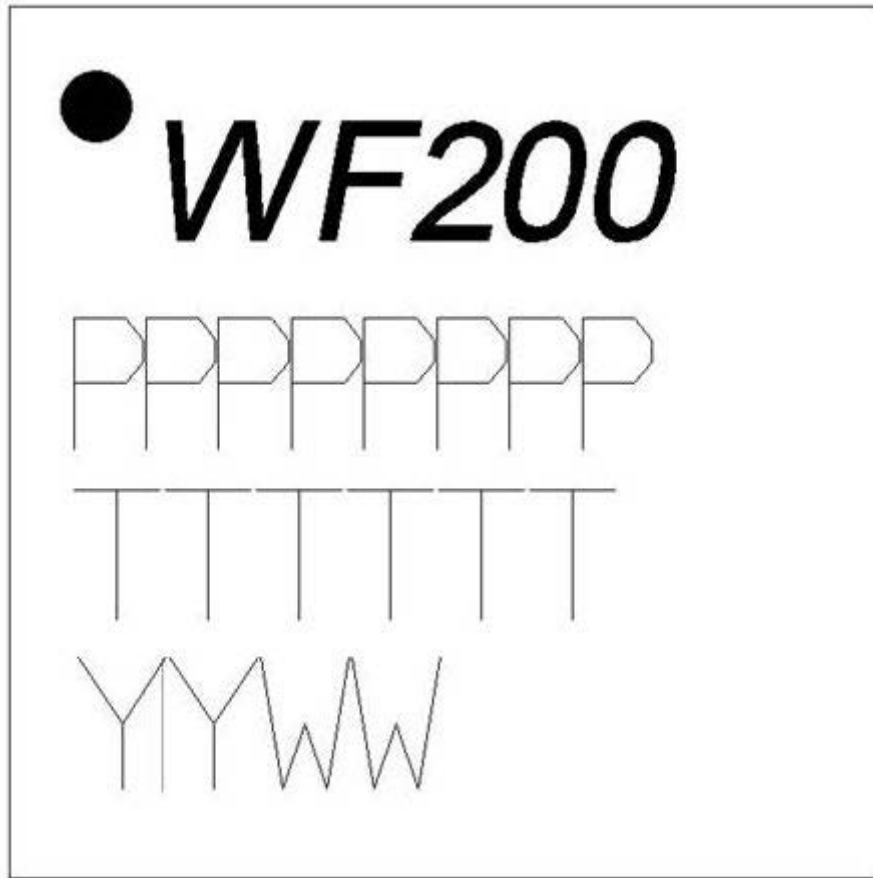


Figure 9.1. WF200 Top Marking

Table 9.1. Top Marking for WF200

OPN	PPPPPPP	TTTTT
WF200SD	SD	
WF200D	D	
<b>Note:</b> YY = Year. WW = Work Week		

## 10. Software Reference

This section gives a short overview of the software involved to run applications based on this device. The firmware running in the WF200 allows it to be used at Lower MAC level (in split MAC) or at the Upper Mac level (in Full MAC).

### 10.1 Host and Device Software

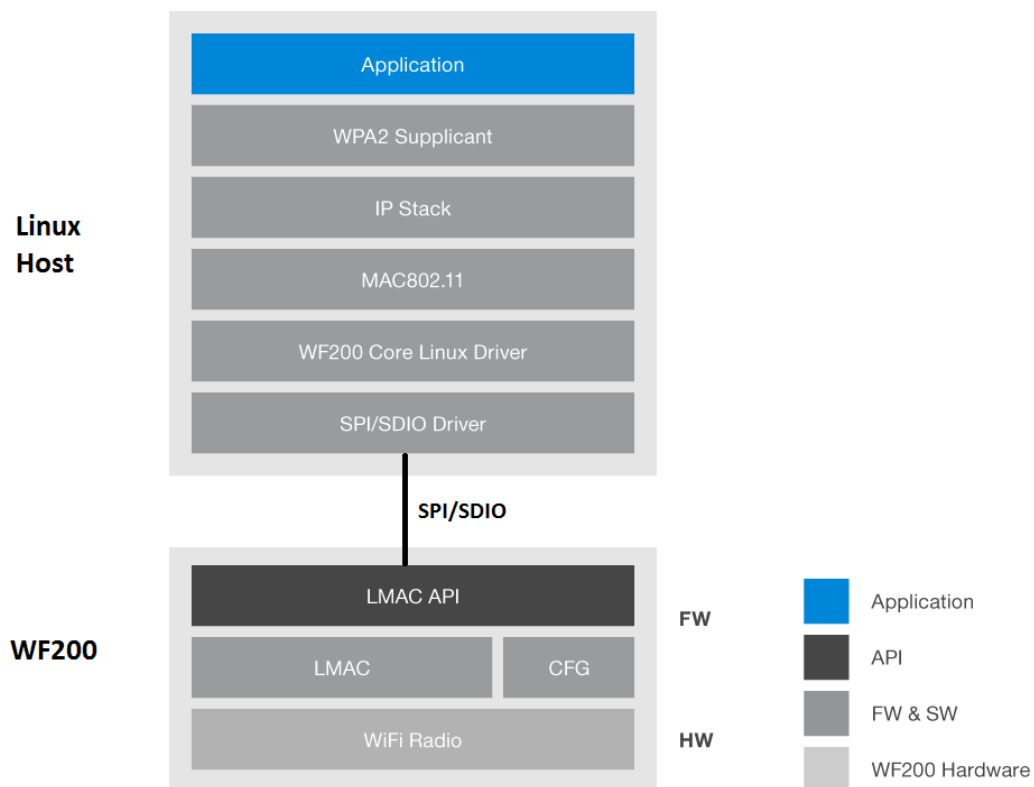
This device is intended to be used as a Network Co-Processor (NCP) which means that it requires a host processor to run the application. Depending on architecture choices based on required throughput, host memory size and power, the MAC layer can be split between WF200 and its host or fully ran in WF200.

#### 10.1.1 Split MAC

The so-called split MAC is the case where WF200 runs the Lower MAC section while the host processor runs the Upper MAC. This is a use case that typically fits the Linux application as MAC802.11 is provided with Linux

For such an application, Silicon Labs provides the embedded firmware implementing the Lower MAC as well as needed configuration tasks. Sample core Linux drivers are available for a variety of platforms.

The figure below shows the typical software architecture in Split MAC implementations.

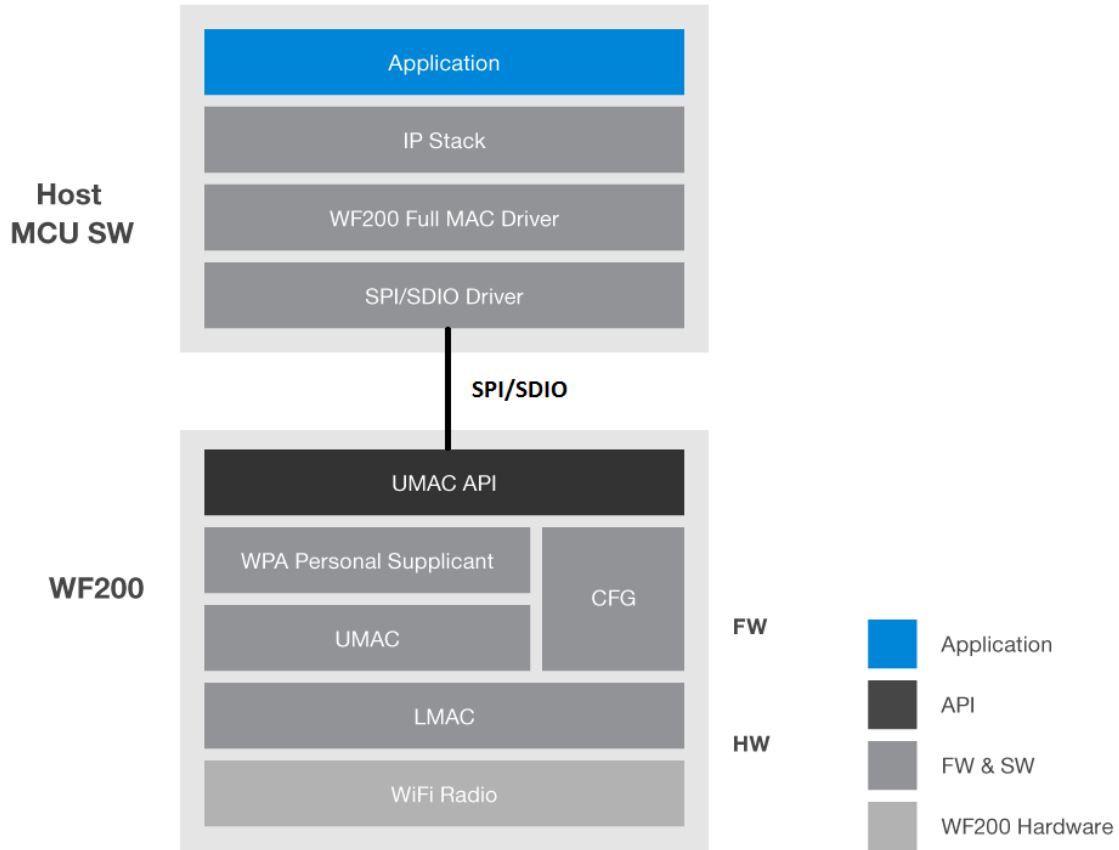


**Figure 10.1. Split MAC Implementation**

### 10.1.2 Full MAC

In this scenario, both the lower MAC and upper MAC are running in WF200. The WF200 contains a WPA/WPA2 personal supplicant, allowing it to handle full MAC responsibilities without utilizing the host MCU. The host receives an IP packet and implements all stack layers necessary above it.

The figure below shows the typical software architecture in Full MAC implementations.



**Figure 10.2. Full MAC Implementation**

**Note:** The WPA supplicant on WF200 does not support WPA enterprise. If WPA-enterprise is required, then it should be implemented above the IP stack in the host MCU software.

### 10.1.3 Software Documentation

Documentation required for software implementation is available at <https://docs.silabs.com/>.

## 10.2 Security

The WF200 implements several security features as listed below.

### 10.2.1 Secure Device

WF200 disables access to all debug ports.

## 10.2.2 Secure Boot

Secure Boot includes several features related to boot and firmware security. Firmware authentication and encryption do not have any impact on host software, whereas firmware roll back prevention requires more flexibility and is managed by each customer through software.

- Firmware authentication: The downloaded firmware is authenticated such that only Firmware provided by Silicon Labs can run in WF200.
- Firmware encryption: The downloaded firmware is encrypted when generated by Silicon Labs and is decrypted inside WF200 during firmware download.
- Firmware roll back prevention: If a security threat is discovered, Silicon Labs has the ability to increment in its firmware an anti-roll-back tag. This can be used by the customer to prevent the part from starting with a firmware having a tag lower than a specified one. This mechanism is managed by each customer on a case-by-case need.

## 10.2.3 Secure Link (WF200SD only)

Secure Link refers to the capability to have encrypted SPI/SDIO communication between the host and WF200. This feature requires the host and WF200 to exchange a key based on a shared secret stored on both sides nonvolatile secured memories and programmed at the end product manufacturing stage. The encrypted interface uses a Diffie-Hellman algorithm key exchanges on a per session/per device basis. As a result, a given link is secured uniquely on a given device, and keys are regenerated on a power cycle.

There are 3 possible cases for secure link:

- Secure link is not used: In this scenario, the part does not encrypt any communication with the host.
- Secure link is temporary enabled: Secure Link can be activated through software, with a software key which is not stored in WF200. Doing this allows to assess the performance and consumption impacts of secure link. In this mode, Secure Link is achieved as long as the part is not reset. The next restart of WF200 will make it start in Non-Secure Link mode.
- Permanent Secure Link: This mode is activated by software and the key exchanged is permanently stored in WF200 non-volatile memory. Once configured in this mode, WF200 only understands host interface messages which have been encrypted with the stored key.

Once a secure link has been established, the host can choose to only encrypt certain API messages between the host and the WF200 to reduce the power and latency overhead of encryption.

## 10.3 Startup, Sleep and Shutdown

### 10.3.1 Power On, Reset, and Boot

When RESETn pin is set HIGH, WF200 is getting out of its reset mode. All supply voltages should be settled within the operational range before the rising edge of RESETn pin. Then the boot sequence can be initiated by the host software with the following sequence:

- Some registers describing the required configuration before firmware download are written by the driver.
- The driver initiates the boot.
- The driver downloads the embedded firmware into WF200.
- The driver configures WF200 upon the hardware platform and requested features with a dedicated configuration file.

### 10.3.2 Sleep and Snooze Modes

The sleep or snooze modes are reached when power-save mode has been enabled on the WF200. These modes highly reduce power consumption while maintaining all configuration and context, so that the device can be quickly back to normal operation. A WF200 driver command is used to indicate that the driver wants the part to go to power-save. However it is the firmware on WF200 that decides when it switches into sleep mode based on Wi-Fi activity.

The part wake-up is achieved by asserting the GPIO/WUP pin.

The sleep mode requires a 32 KHz clock to be provided on LP\_CLK pin.

In case a 32 KHz clock is not available, the part can be set in a snooze mode which is functionally equivalent but draws more current.

### 10.3.3 Shutdown Mode

The shutdown mode can be used if the Wi-Fi feature is not needed for a long period of time. This mode achieves the lowest current consumption on the device but requires a full power-up reset and boot sequence to come back to the operational mode. This mode should be initiated by the host.

**Note:** A similar behavior could be achieved by asserting RESETn pin low, but would draw more current.

## 11. Revision History

### Revision 1.1

September, 2020

- Updated Ordering Guide
- Updated [Table 9.1 Top Marking for WF200 on page 32](#)

### Revision 1.00

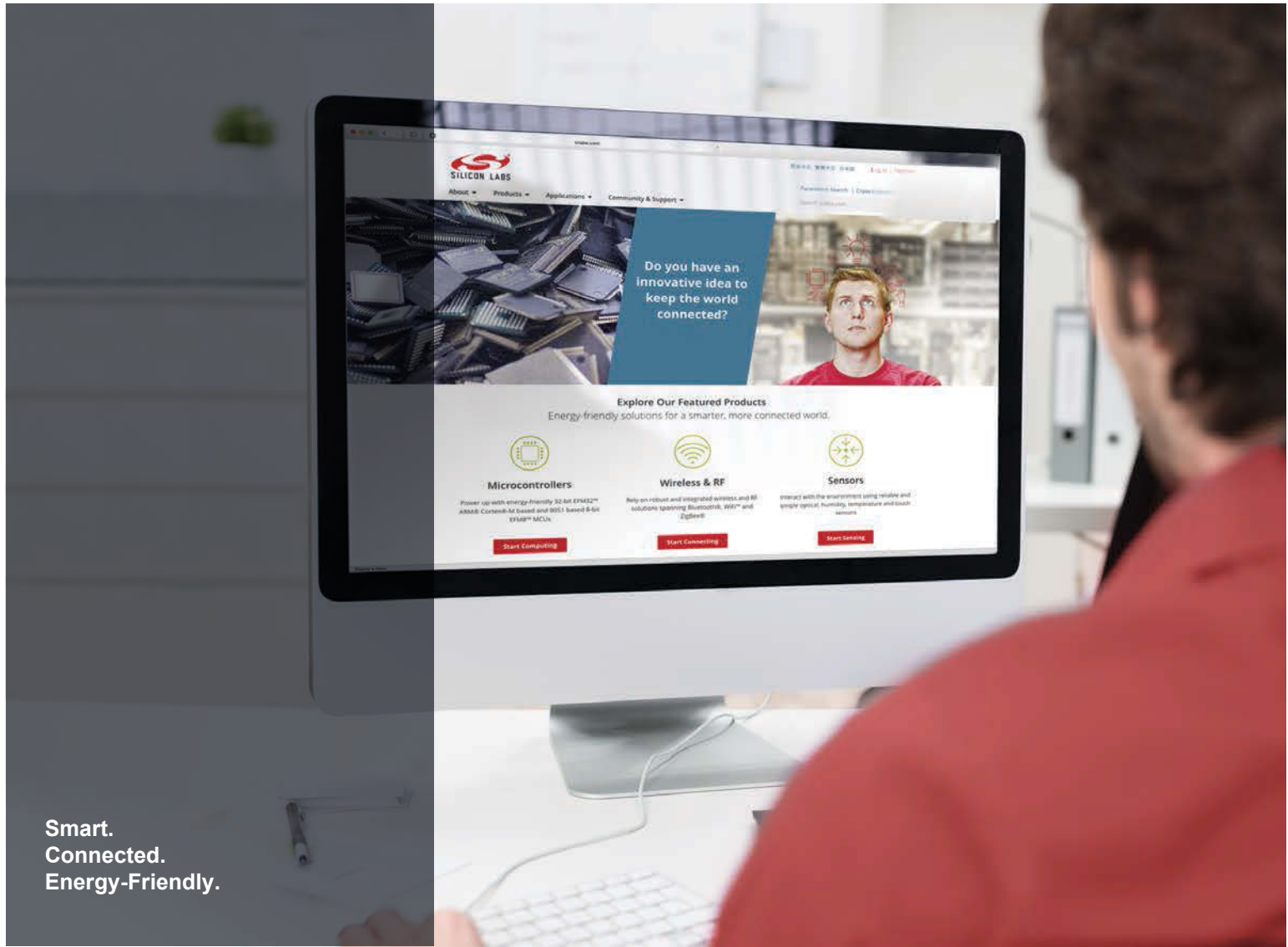
July, 2019

- Updates to Electrical specifications section
- Addition of low power PA graphs
- Updates to power consumption and supported bandwidth and channels table
- Textual and figure updates to improve clarity

### Revision 0.60

December, 2018

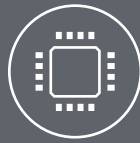
- Initial Release



Smart.  
Connected.  
Energy-Friendly.



**Products**  
[www.silabs.com/products](http://www.silabs.com/products)



**Quality**  
[www.silabs.com/quality](http://www.silabs.com/quality)



**Support and Community**  
[community.silabs.com](http://community.silabs.com)

**Disclaimer**

Silicon Labs intends to provide customers with the latest, accurate, and in-depth documentation of all peripherals and modules available for system and software implementers using or intending to use the Silicon Labs products. Characterization data, available modules and peripherals, memory sizes and memory addresses refer to each specific device, and "Typical" parameters provided can and do vary in different applications. Application examples described herein are for illustrative purposes only. Silicon Labs reserves the right to make changes without further notice to the product information, specifications, and descriptions herein, and does not give warranties as to the accuracy or completeness of the included information. Without prior notification, Silicon Labs may update product firmware during the manufacturing process for security or reliability reasons. Such changes will not alter the specifications or the performance of the product. Silicon Labs shall have no liability for the consequences of use of the information supplied in this document. This document does not imply or expressly grant any license to design or fabricate any integrated circuits. The products are not designed or authorized to be used within any FDA Class III devices, applications for which FDA premarket approval is required, or Life Support Systems without the specific written consent of Silicon Labs. A "Life Support System" is any product or system intended to support or sustain life and/or health, which, if it fails, can be reasonably expected to result in significant personal injury or death. Silicon Labs products are not designed or authorized for military applications. Silicon Labs products shall under no circumstances be used in weapons of mass destruction including (but not limited to) nuclear, biological or chemical weapons, or missiles capable of delivering such weapons. Silicon Labs disclaims all express and implied warranties and shall not be responsible or liable for any injuries or damages related to use of a Silicon Labs product in such unauthorized applications.

**Trademark Information**

Silicon Laboratories Inc.®, Silicon Laboratories®, Silicon Labs®, SiLabs® and the Silicon Labs logo®, Bluegiga®, Bluegiga Logo®, ClockBuilder®, CMEMS®, DSPLL®, EFM®, EFM32®, EFR®, Ember®, Energy Micro, Energy Micro logo and combinations thereof, "the world's most energy friendly microcontrollers", Ember®, EZLink®, EZRadio®, EZRadioPRO®, Gecko®, Gecko OS, Gecko OS Studio, ISOModem®, Precision32®, ProSLIC®, Simplicity Studio®, SiPHY®, Telegesis, the Telegesis Logo®, USBXpress®, Zentri, the Zentri logo and Zentri DMS, Z-Wave®, and others are trademarks or registered trademarks of Silicon Labs. ARM, CORTEX, Cortex-M3 and THUMB are trademarks or registered trademarks of ARM Holdings. Keil is a registered trademark of ARM Limited. Wi-Fi is a registered trademark of the Wi-Fi Alliance. All other products or brand names mentioned herein are trademarks of their respective holders.



Silicon Laboratories Inc.  
400 West Cesar Chavez  
Austin, TX 78701  
USA

<http://www.silabs.com>

## Looking for pricing, stock, or lifecycle information?

Click below to explore more details on WIN SOURCE:

 [View WF200CR](#) on WIN SOURCE

 [Silicon Labs](#) Information

## Optimize Your Supply Chain with WIN SOURCE Solutions

-  Global Sourcing Solution
-  Obsolete Management
-  Cost Control Management
-  Shortage Management
-  Alternative Solution
-  Excess Inventory Management