



CYW20736E

# Bluetooth Low Energy System-in-Package Module

Doc. # 002-15223 Rev. \*B

Cypress Semiconductor  
198 Champion Court  
San Jose, CA 95134-1709  
Phone (USA): 800.858.1810  
Phone (Intl): +1.408.943.2600  
[www.cypress.com](http://www.cypress.com)

## Copyrights

© Cypress Semiconductor Corporation, 2015-2017. This document is the property of Cypress Semiconductor Corporation and its subsidiaries, including Spansion LLC ("Cypress"). This document, including any software or firmware included or referenced in this document ("Software"), is owned by Cypress under the intellectual property laws and treaties of the United States and other countries worldwide. Cypress reserves all rights under such laws and treaties and does not, except as specifically stated in this paragraph, grant any license under its patents, copyrights, trademarks, or other intellectual property rights. If the Software is not accompanied by a license agreement and you do not otherwise have a written agreement with Cypress governing the use of the Software, then Cypress hereby grants you a personal, non-exclusive, nontransferable license (without the right to sublicense) (1) under its copyright rights in the Software (a) for Software provided in source code form, to modify and reproduce the Software solely for use with Cypress hardware products, only internally within your organization, and (b) to distribute the Software in binary code form externally to end users (either directly or indirectly through resellers and distributors), solely for use on Cypress hardware product units, and (2) under those claims of Cypress's patents that are infringed by the Software (as provided by Cypress, unmodified) to make, use, distribute, and import the Software solely for use with Cypress hardware products. Any other use, reproduction, modification, translation, or compilation of the Software is prohibited.

TO THE EXTENT PERMITTED BY APPLICABLE LAW, CYPRESS MAKES NO WARRANTY OF ANY KIND, EXPRESS OR IMPLIED, WITH REGARD TO THIS DOCUMENT OR ANY SOFTWARE OR ACCOMPANYING HARDWARE, INCLUDING, BUT NOT LIMITED TO, THE IMPLIED WARRANTIES OF MERCHANTABILITY AND FITNESS FOR A PARTICULAR PURPOSE. To the extent permitted by applicable law, Cypress reserves the right to make changes to this document without further notice. Cypress does not assume any liability arising out of the application or use of any product or circuit described in this document. Any information provided in this document, including any sample design information or programming code, is provided only for reference purposes. It is the responsibility of the user of this document to properly design, program, and test the functionality and safety of any application made of this information and any resulting product. Cypress products are not designed, intended, or authorized for use as critical components in systems designed or intended for the operation of weapons, weapons systems, nuclear installations, life-support devices or systems, other medical devices or systems (including resuscitation equipment and surgical implants), pollution control or hazardous substances management, or other uses where the failure of the device or system could cause personal injury, death, or property damage ("Unintended Uses"). A critical component is any component of a device or system whose failure to perform can be reasonably expected to cause the failure of the device or system, or to affect its safety or effectiveness. Cypress is not liable, in whole or in part, and you shall and hereby do release Cypress from any claim, damage, or other liability arising from or related to all Unintended Uses of Cypress products. You shall indemnify and hold Cypress harmless from and against all claims, costs, damages, and other liabilities, including claims for personal injury or death, arising from or related to any Unintended Uses of Cypress products.

Cypress, the Cypress logo, Spansion, the Spansion logo, and combinations thereof, WICED, PSoC, CapSense, EZ-USB, F-RAM, and Traveo are trademarks or registered trademarks of Cypress in the United States and other countries. For a more complete list of Cypress trademarks, visit [cypress.com](http://cypress.com). Other names and brands may be claimed as property of their respective owners.

# Preface



This document provides descriptions of the interfaces, pin assignments, and specifications of CYW20736E Bluetooth Low Energy (BLE) System-in-Package (SiP) module. It is intended for designers who are responsible for adding the CYW20736E module to wireless input devices including heart-rate monitors, blood pressure monitors, proximity sensors, temperature sensors, and battery monitors.

## Cypress Part Numbering Scheme

Cypress is converting the acquired IoT part numbers from Broadcom to the Cypress part numbering scheme. Due to this conversion, there is no change in form, fit, or function as a result of offering the device with Cypress part number marking. The table provides Cypress ordering part number that matches an existing IoT part number.

Table 2-1. Mapping Table for Part Number between Broadcom and Cypress

Broadcom Part Number	Cypress Part Number
BCM20736	CYW20736
BCM20736E	CYW20736E

## Acronyms and Abbreviations

In most cases, acronyms and abbreviations are defined on first use.

For a comprehensive list of acronyms and other terms used in Cypress documents, go to <http://www.cypress.com/glossary>.

## Document Conventions

The following conventions may be used in this document:

Convention	Description
<b>Bold</b>	User input and actions: for example, type <b>exit</b> , click <b>OK</b> , press <b>Alt+C</b>
Monospace	Code: <code>#include &lt;iostream&gt;</code> HTML: <code>&lt;td rowspan = 3&gt;</code> Command line commands and parameters: <code>w1 [-1] &lt;command&gt;</code>
< >	Placeholders for <i>required</i> elements: enter your <username> or w1 <command>
[ ]	Indicates <i>optional</i> command-line parameters: <code>w1 [-1]</code> Indicates bit and byte ranges (inclusive): <code>[0:3]</code> or <code>[7:0]</code>

## Technical Support

Cypress provides a wealth of data at <http://www.cypress.com/internet-things-iot> to help you to select the right IoT device for your design, and quickly and effectively integrate the device into your design. Cypress provides customer access to a wide range of information, including technical documentation, schematic diagrams, product bill of materials, PCB layout information, and software updates. Customers can acquire technical documentation and software from the Cypress Support Community website (<http://community.cypress.com/>).



# Contents



<b>1. Introduction</b>	<b>7</b>
1.1 Overview	7
1.1.1 Features	7
1.1.2 Application Profiles	7
1.1.3 Block Diagram	8
1.2 External Reset	8
1.2.1 32.768 kHz Oscillator	9
1.3 Pin Map and Signal Descriptions	10
1.4 Electrical Specifications	14
1.5 RF Specifications	15
1.6 ADC Specifications	16
1.7 Timing and AC Characteristics	17
1.7.1 SPI Timing	17
1.7.2 BSC Interface Timing	18
1.7.3 UART Timing	19
1.8 PCB Design and Manufacturing Recommendations	20
1.8.1 Pad and Solder Mask Opening Dimensions	20
1.8.2 PCB Stencil	20
1.8.3 Solder Reflow	21
1.9 Packaging and Storage Information	22
1.10 Mechanical Information	24
1.11 Ordering Information	25
<b>Revision History</b>	<b>27</b>



# 1. Introduction



## 1.1 Overview

The CYW20736E is a compact, highly integrated Bluetooth low energy (BLE) system-in-package (SiP) module. The CYW20736E SiP includes a 24 MHz clock and 512 Kb EEPROM, so only a minimal set of external components is needed to create a standalone BLE device.

The CYW20736E is designed to accelerate time to market. The Bluetooth stack and several application profiles are built into the module, allowing customers to focus on their core applications. To further reduce application development time, the CYW20736E includes integrated software support, with one-click installation of the complete environment and a one-click compile/build/link/load cycle. All this, coupled with an ultrasmall form factor and support for a wide voltage range, makes the CYW20736E well suited for virtually any Bluetooth Smart application.

### 1.1.1 Features

- ARM Cortex-M3 microcontroller unit (MCU)
- Embedded 512 Kb EEPROM
- Broadcom Serial Control (BSC), SPI, and UART interfaces
- FCC and CE compliant
- RoHS compliant, certified lead- and halogen-free
- Moisture Sensitivity Level (MSL) 3 compliant
- 6.5 mm × 6.5 mm × 1.2 mm Land Grid Array (LGA) 48-pin package

### 1.1.2 Application Profiles

The following profiles are supported in CYW20736E ROM:

- Battery status
- Blood pressure monitor
- Find me
- Heart rate monitor
- Proximity
- Thermometer
- Weight scale
- Time
- Blood glucose monitor

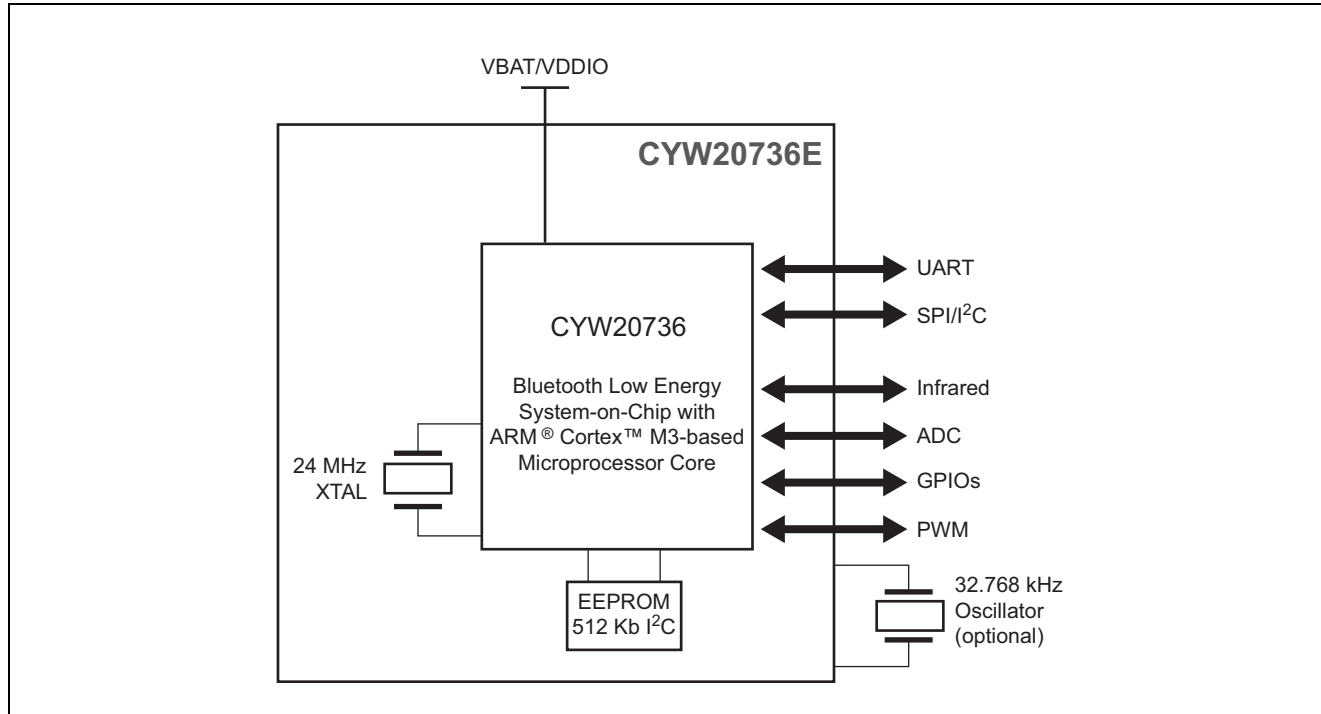
Additional profiles that can be supported in CYW20736E RAM include:

- Blood glucose monitor
- Temperature alarm
- Location
- Other custom profiles

### 1.1.3 Block Diagram

A block diagram of the CYW20736E BLE SiP is shown in [Figure 1-1](#).

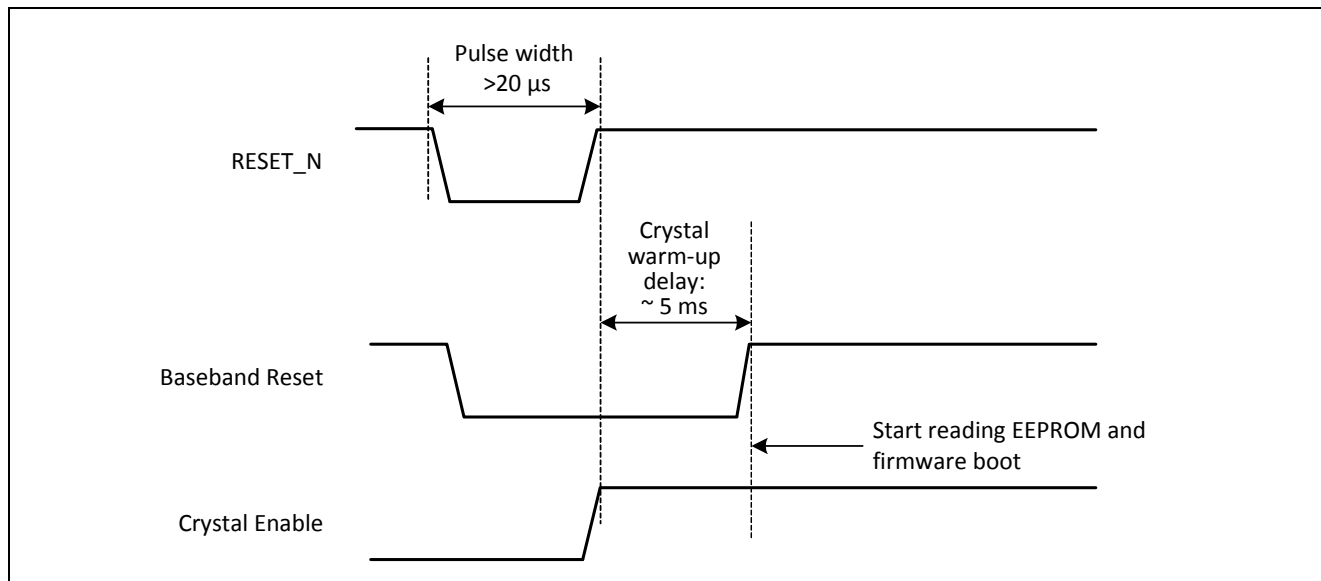
Figure 1-1. CYW20736E BLE SiP Block Diagram



## 1.2 External Reset

External reset timing for the CYW20736E is illustrated in [Figure 1-2](#).

Figure 1-2. External Reset Timing



### 1.2.1 32.768 kHz Oscillator

The CYW20736E includes a standard Pierce oscillator. The oscillator circuit includes a comparator with hysteresis on the output to create a single-ended digital output. The hysteresis eliminates chatter when the input is near the comparator threshold (~100 mV). The oscillator circuit can be designed for a 32 kHz or 32.768 kHz crystal oscillator, and can also be driven by an external clock input with a similar frequency. Characteristics for a 32 kHz oscillator are defined in [Table 1-1](#).

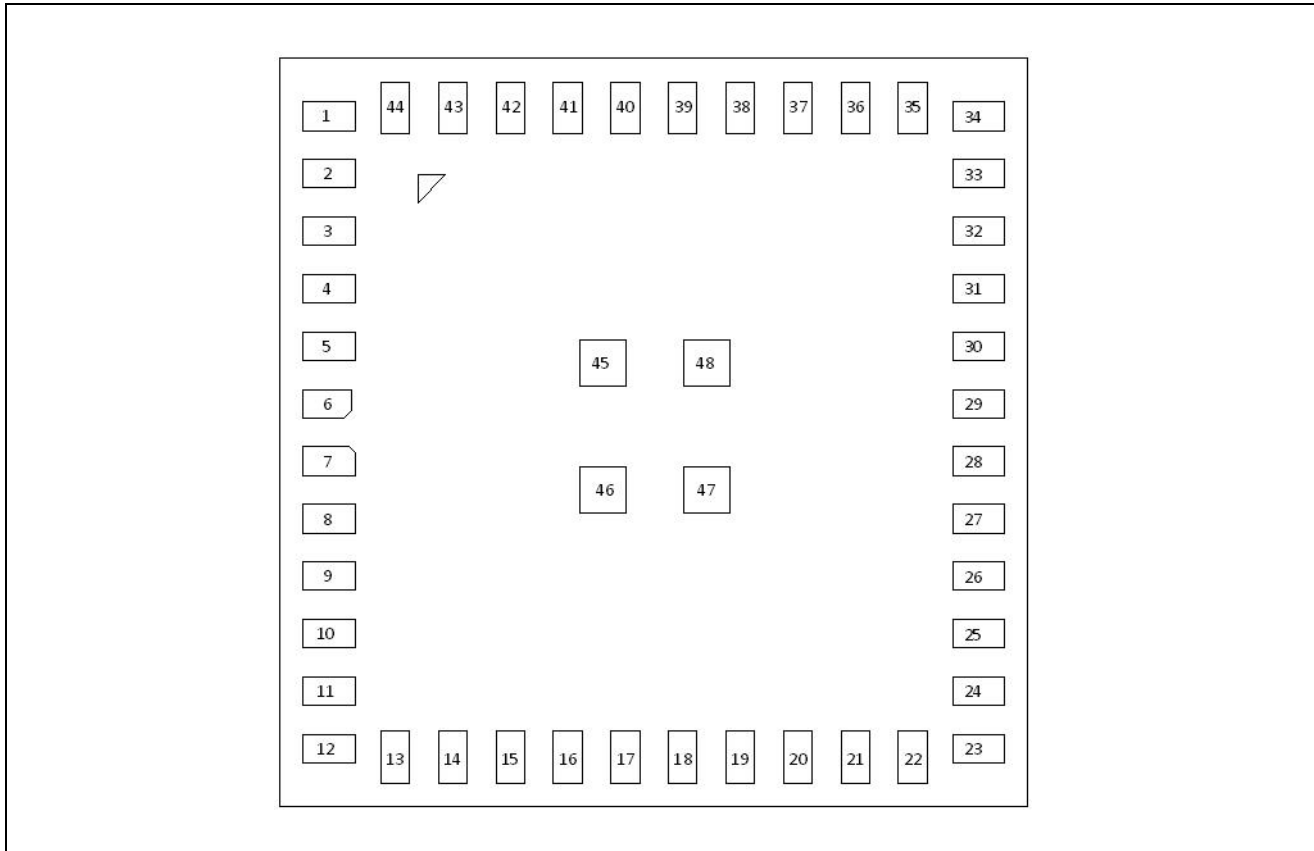
Table 1-1. 32 kHz Crystal Oscillator Characteristics

Parameter	Symbol	Conditions	Min.	Typ.	Max.	Unit
Output frequency	$F_{\text{oscout}}$	–	–	32.768	–	kHz
Frequency tolerance	$F_{\text{tol}}$	Crystal-dependent	–	100	–	ppm
Start-up time	$T_{\text{startup}}$	–	–	–	500	$\mu\text{s}$
Crystal drive level	$P_{\text{drv}}$	For crystal selection	0.5	–	–	$\mu\text{W}$
Crystal series resistance	$R_{\text{series}}$	For crystal selection	–	–	70	$\text{k}\Omega$
Crystal shunt capacitance	$C_{\text{shunt}}$	For crystal selection	–	–	1.3	pF

### 1.3 Pin Map and Signal Descriptions

The CYW20736E pin map is shown in [Figure 1-3](#).

Figure 1-3. CYW20736E (TOP View)



The signal name, type, and description of each pin in the CYW20736E is listed in [Table 1-2](#). The symbols shown under I/O Type indicate pin directions (I/O = bidirectional, I = input, O = output) and the internal pull-up/pull-down characteristics (PU = weak internal pull-up resistor and PD = weak internal pull-down resistor), if any.

Table 1-2. Pin Descriptions

Pin	Name	I/O Type	Description
1	GPIO: P27 PWM1	I	Default direction: Input. After POR state: Input floating. Drain current: 16 mA Alternate function: MOSI (master and slave) for SPI_2
2	GND	GND	GND
3	VBAT	I	Battery supply input.
4	GND	GND	GND
5	GND	GND	GND
6	GND	GND	GND
7	GND	GND	GND
8	GND	GND	GND

Table 1-2. Pin Descriptions (Cont.)

Pin	Name	I/O Type	Description
9	GND	GND	GND
10	ANT	O	External antenna connection (must be 50Ω)
11	GND	GND	GND
12	GND	GND	GND
13	GND	GND	GND
14	GND	GND	GND
15	GND	GND	GND
16	GND	GND	GND
17	GND	GND	GND
18	UART_RX	I	UART_RX. This pin is pulled low through an internal 10 kΩ resistor.
19	UART_TX	O, PU	UART_TX
20	GND	GND	GND
21	SCL	I/O, PU	SCL I/O, PU clock signal for an external I <sup>2</sup> C device
22	SDA	I/O, PU	SDA I/O, PU data signal for an external I <sup>2</sup> C device
23	GND	GND	GND
24	GND	GND	GND
25	GPIO: P1	I	Default direction: Input. After POR state: Input floating. This pin is tied to the WP pin of the embedded EEPROM and requires an external 10 kΩ pull-up
26	TMC	I	Test mode control. Pull this pin high to invoke test mode; leave it floating if not used. This pin is connected to GND through an internal 10 kΩ resistor.
27	RESET_N	I/O PU	Active-low system reset with open-drain output
28	GPIO: P0	I	Default direction: Input. After POR state: Input floating. Alternate functions: <ul style="list-style-type: none"> <li>■ A/D converter input</li> <li>■ Peripheral UART TX (PUART_TX)</li> <li>■ MOSI (master and slave) for SPI_2</li> <li>■ IR_RX</li> <li>■ 60Hz_main</li> </ul>
29	GND	GND	GND
30	GPIO: P3	I	Default direction: Input. After POR state: Input floating. Alternate functions: <ul style="list-style-type: none"> <li>■ Peripheral UART CTS (PUART_CTS)</li> <li>■ SPI_CLK (master and slave) for SPI_2</li> </ul>
31	GPIO: P2	I	Default direction: Input. After POR state: Input floating. Alternate functions: <ul style="list-style-type: none"> <li>■ Peripheral UART RX (PUART_RX)</li> <li>■ SPI_CS (slave only) for SPI_2</li> <li>■ SPI_MOSI (master only) for SPI_2</li> </ul>

Table 1-2. Pin Descriptions (Cont.)

Pin	Name	I/O Type	Description
32	GPIO: P4	I	Default direction: Input. After POR state: Input floating. Alternate functions: ■ Peripheral UART RX (PUART_RX) ■ MOSI (master and slave) for SPI_2. ■ IR_TX
33	GPIO: P8	I	Default direction: Input. After POR state: Input floating. Alternate functions: ■ A/D converter input. ■ External T/R switch control (~tx_pd)
34	GPIO: P33	I	Default direction: Input. After POR state: Input floating. Alternate functions: ■ A/D converter input ■ MOSI (slave only) for SPI_2 ■ Auxiliary clock output (ACLK1) ■ Peripheral UART RX (PUART_RX)
35	GPIO: P32	I	Default direction: Input. After POR state: Input floating. Alternate functions: ■ A/D converter input ■ SPI_CS (slave only) for SPI_2. ■ Auxiliary clock output (ACLK0) ■ Peripheral UART TX (PUART_TX)
36	GPIO: P25	I	Default direction: Input. After POR state: Input floating. Alternate functions: ■ MISO (master and slave) for SPI_2 ■ Peripheral UART RX (PUART_RX)
37	GPIO: P24	I	Default direction: Input. After POR state: Input floating. Alternate functions: ■ SPI_CLK (master and slave) for SPI_2 ■ Peripheral UART TX (PUART_TX)
38	GND	GND	GND
39	GPIO: P13 PWM3	I	Default Direction: Input After POR State: Input Floating Drain current: 16 mA Alternate function: A/D converter input
	GPIO: P28 PWM2	I	Default direction: Input. After POR state: Input floating. Drain current: 16 mA Alternate functions: ■ A/D converter input ■ LED1 ■ IR_TX

Table 1-2. Pin Descriptions (Cont.)

Pin	Name	I/O Type	Description
40	GPIO: P14 PWM2	I	Default direction: Input. After POR state: Input floating. Alternate function: A/D converter input
	GPIO: P38	I	Default direction: Input. After POR state: Input floating. Alternate functions: ■ A/D converter input ■ MOSI (master and slave) for SPI_2 ■ IR_TX
41	GPIO: P15	I	Default direction: Input. After POR state: Input floating. Alternate functions: ■ A/D converter input ■ IR_RX ■ 60 Hz_main
42	GPIO: P26 PWM0	I	Default direction: Input. After POR state: Input floating. Drain current: 16 mA Alternate function: SPI_CS (slave only) for SPI_2
43	GPIO: P12	I	Default direction: Input. After POR state: Input floating. Alternate functions: ■ A/D converter input ■ XTALO32K
	XTALO32K	O	Low-power oscillator (LPO) output. Alternate functions: P12 P26
44	GPIO: P11	I	Default direction: Input. After POR state: Input floating. Alternate functions: ■ A/D converter input ■ XTALI32K
	XTALI32K	I	Low-power oscillator (LPO) input. Alternate functions: ■ P11 ■ P27
45	GND	GND	GND
46	GND	GND	GND
47	GND	GND	GND
48	GND	GND	GND

## 1.4 Electrical Specifications

Absolute maximum ratings are defined in [Table 1-3](#).

Table 1-3. Absolute Maximum Ratings

Parameter	Min.	Max.	Unit
Supply power	NA	3.63	V
Storage temperature	-40	125	°C
Voltage ripple	0	±2	%
Power supply (VBAT absolute maximum rating)	1.62	3.63	V

Power for the CYW20736E module is provided by the host through the power pins.

Table 1-4. Voltage

Symbol	Parameter	Min.	Typ.	Max.	Unit
VBAT	Battery voltage	1.62	-	3.63	V

Table 1-5. Current Consumption

Operating Mode	Condition	Nominal	Maximum	Unit
Receive	Receiver and baseband are both operating, 100%	24	28	mA
Transmit	Transmitter and baseband are both operating, 100%	24	28	mA
Sleep	Wake in < 5 ms	55	60	µA
Deep Sleep	Wake on interrupt	2.0	2.5	µA

**Note:** All measurements taken at 25°C

Based on the current measurements in [Table 1-5](#), CYW20736E peak power values are:

- RX: 39.6 mW
- TX: 37.8 mW
- Sleep mode: 36 µW
- Deep Sleep mode: 2.4 µW

## 1.5 RF Specifications

CYW20736E receiver specifications are defined in [Table 1-6](#).

Table 1-6. Receiver Specifications

Parameter	Mode and Conditions	Min.	Typ.	Max.	Unit
Frequency range	–	2402	–	2480	MHz
RX sensitivity (standard)	Packets: 200 Payload: PRBS 9 Length: 37 Bytes Dirty Transmitter: off. PER: 30.8%	–	–94	–	dBm
Maximum input	–	–10	–	–	dBm

**Note:** All measurements taken at 3.0V (default voltage)

RF transmitter specifications are defined in [Table 1-7](#).

Table 1-7. Transmitter Specifications

Parameter	Min.	Typ.	Max.	Unit
<b>Transmitter</b>				
Frequency range <sup>a</sup>	2402	–	2480	MHz
Output power adjustment range	–20	–	4	dBm
Output power	–	2	–	dBm
Output power variation	–	2.5	–	dB
<b>LO Performance</b>				
Initial carrier frequency tolerance	–	–	±150	kHz
<b>Frequency Drift</b>				
Frequency drift	–	–	±50	kHz
Drift rate	–	–	20	kHz/50 $\mu$ s
<b>Frequency Deviation</b>				
Average deviation in payload (sequence: 00001111)	225	–	275	kHz
Average deviation in payload (sequence: 10101010)	185	–	–	kHz
Channel spacing	–	2	–	MHz

a. This parameter is taken from the Bluetooth 4.0 specification.

## 1.6 ADC Specifications

CYW20736E ADC specifications are defined in [Table 1-8](#).

Table 1-8. ADC Specifications

Parameter	Symbol	Conditions	Min.	Typ.	Max.	Unit
Number of input channels	–	–	–	9	–	–
Channel switching rate	$f_{ch}$	–	–	–	133.33	Kch/s
Input signal range	$V_{inp}$	–	0	–	3.63	V
Reference settling time	–	Charging refsel	7.5	–	–	$\mu$ s
Input resistance	$R_{inp}$	Effective, single-ended	–	500	–	k $\Omega$
Input capacitance	$C_{inp}$	–	–	–	5	pF
Conversion rate	$F_c$	–	5.859	–	187	kHz
Conversion time	$T_c$	–	5.35	–	170.7	$\mu$ s
Resolution	R	–	–	16	–	Bits
Absolute voltage measurement error	–	Using on-chip ADC firmware driver	–	$\pm 2$	–	%
Current	I	$I_{avdd1p2} + I_{avdd3p3}$	–	–	1	mA
Power	P	–	–	1.5	–	mW
Leakage Current	$I_{leakage}$	T = 25°C	–	–	100	nA
Power-up time	$T_{powerup}$	–	–	–	200	$\mu$ s
Integral nonlinearity	$I_{NL}$	In the guaranteed performance range	–1	–	1	LSB <sup>a</sup>
Differential nonlinearity	$D_{NL}$	In the guaranteed performance range	–1	–	1	LSB <sup>a</sup>

a. LSBs are expressed at the 10-bit level.

## 1.7 Timing and AC Characteristics

### 1.7.1 SPI Timing

SPI interface timing is illustrated in [Figure 1-4](#) and [Figure 1-5](#) and defined in [Table 1-9](#).

Figure 1-4. SPI Timing—Modes 0 and 2

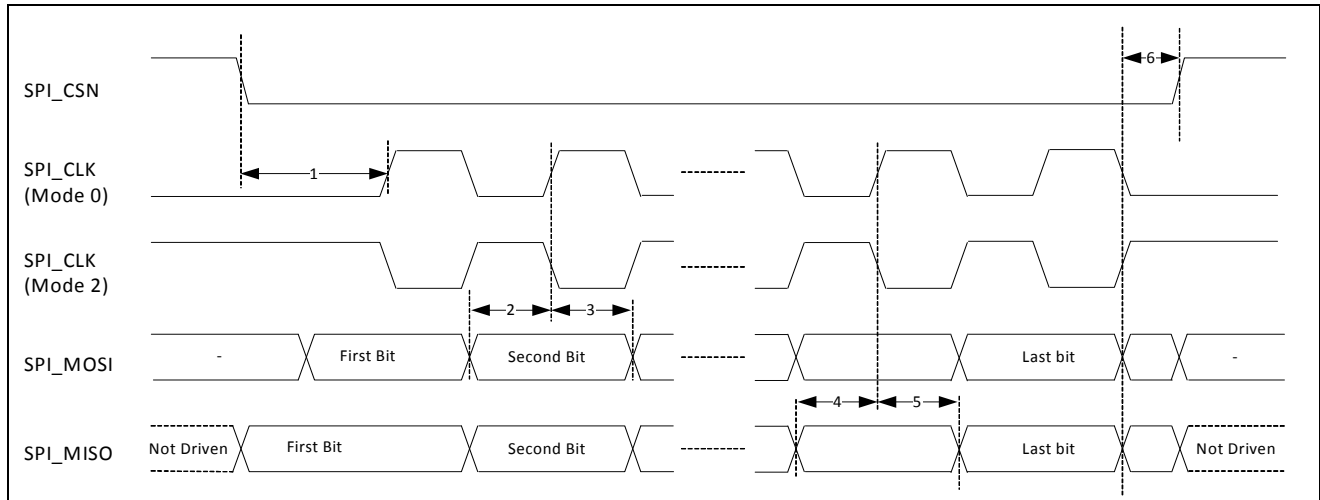


Figure 1-5. SPI Timing—Modes 1 and 3

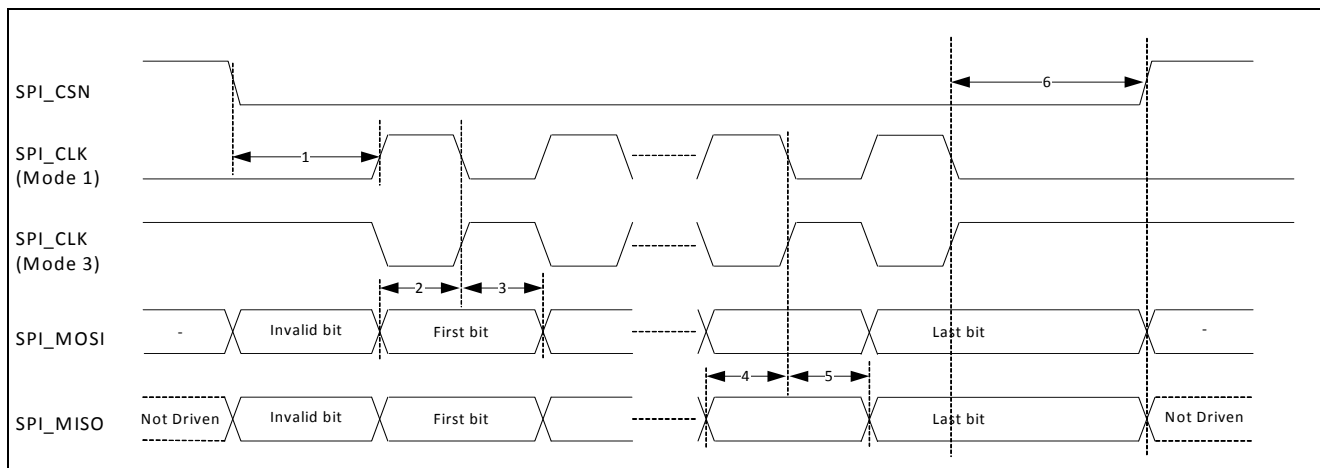


Table 1-9. SPI Interface Timing Specifications

Reference	Characteristics	Min.	Typ.	Max.
1	Time from CSN asserted to first clock edge	1 SCK	100	$\infty$
2	Master setup time	–	1/2SCK	–
3	Master hold time	1/2SCK	–	–
4	Slave setup time	–	1/2 SCK	–
5	Slave hold time	1/2 SCK	–	–
6	Time from last clock edge to CSN deasserted	SCK	10 SCK	100

## 1.7.2 BSC Interface Timing

BSC interface timing is illustrated in Figure 1-6 and is defined in Table 1-10.

Figure 1-6. BSC Interface Timing

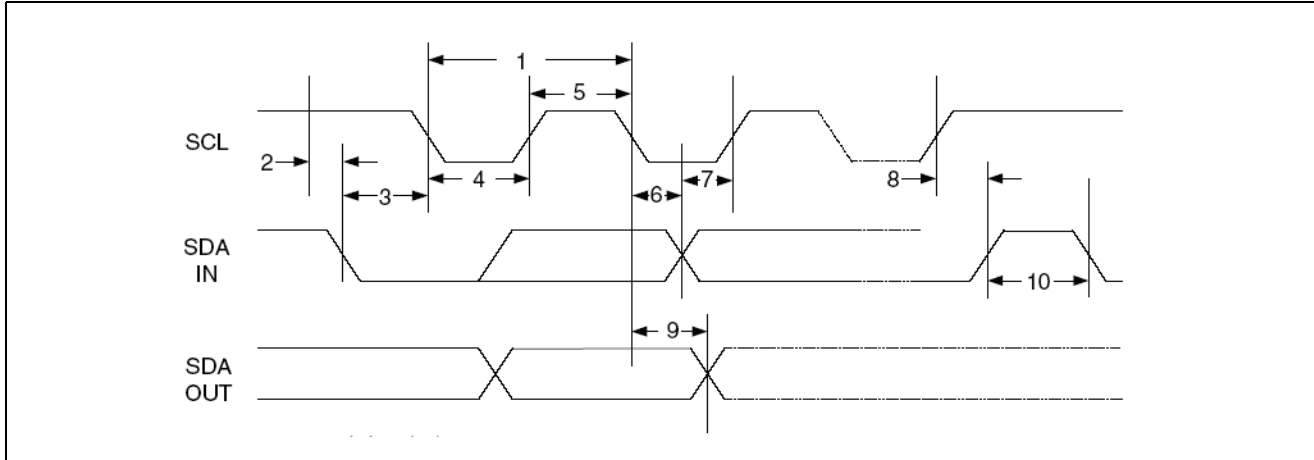


Table 1-10. BSC Interface Timing Specifications

Reference	Characteristics	Min.	Max.	Unit
1	Clock frequency	–	100, 400, 800, 1000	kHz
2	START condition setup time	650	–	ns
3	START condition hold time	280	–	ns
4	Clock low time	650	–	ns
5	Clock high time	280	–	ns
6	Data input hold time	0	–	ns
7	Data input setup time	100	–	ns
8	STOP condition setup time	280	–	ns
9	Output valid from clock	–	400	ns
10	Bus free time	650	–	ns

### 1.7.3 UART Timing

UART timing is illustrated in [Figure 1-7](#) and defined in [Table 1-11](#).

Figure 1-7. UART Timing

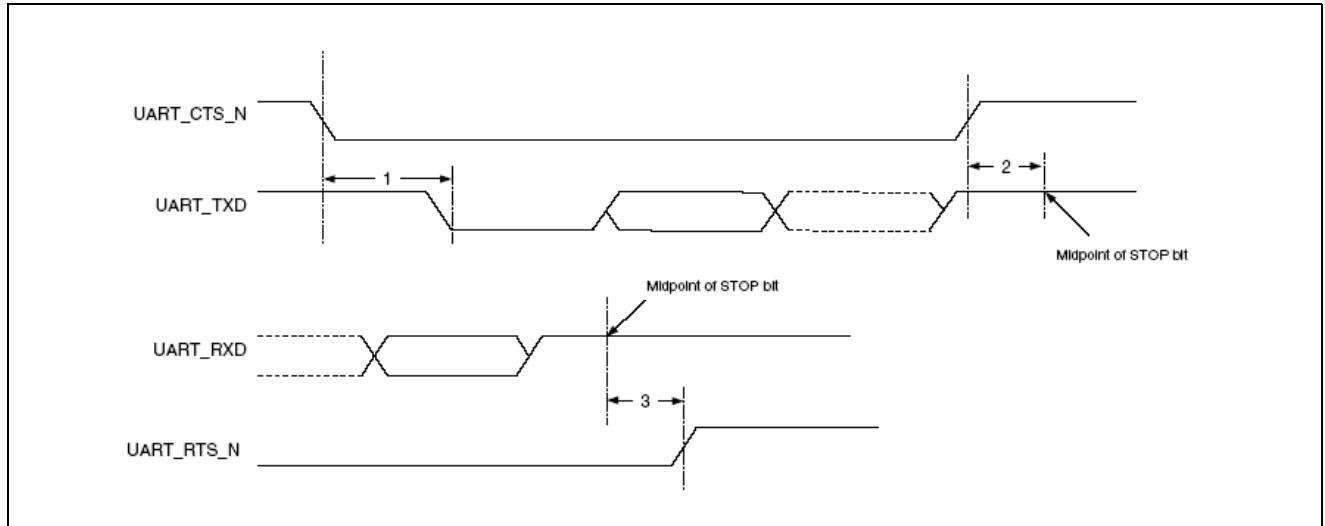


Table 1-11. UART Timing Specifications

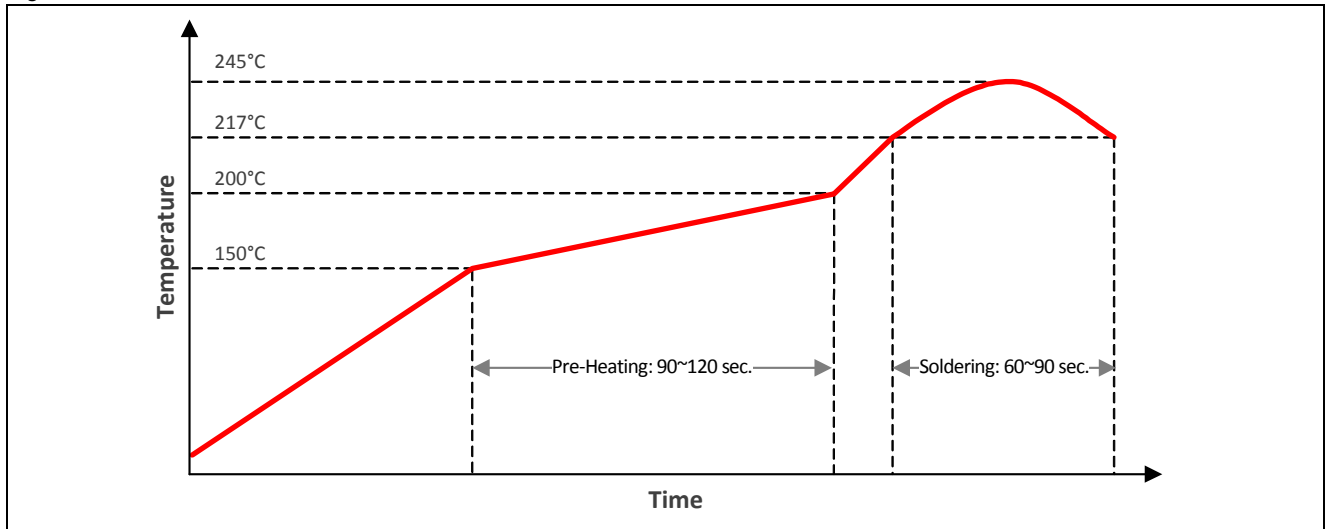
Reference	Characteristics	Min.	Max.	Unit
1	Delay time, UART_CTS_N low to UART_TXD valid	–	24	Baudout cycles
2	Setup time, UART_CTS_N high before midpoint of stop bit	–	10	ns
3	Delay time, midpoint of stop bit to UART_RTS_N high	–	2	Baudout cycles



### 1.8.3 Solder Reflow

The recommended solder reflow profile for the CYW20736E is defined in [Figure 1-9](#).

Figure 1-9. Solder Reflow Profile



## 1.9 Packaging and Storage Information

The CYW20736E is available in a tape and reel package and is shipped in an ESD-protected moisture-resistant (MSL-3) bag as shown in Figure 1-10. The storage temperature range is  $-40^{\circ}\text{C}$  to  $+125^{\circ}\text{C}$ .

Figure 1-10. CYW20736E ESD/Moisture Packaging



The moisture sensitivity label on the CYW20736E shipping bag is shown in Figure 1-11.

Figure 1-11. CYW20736E Moisture Sensitivity Label

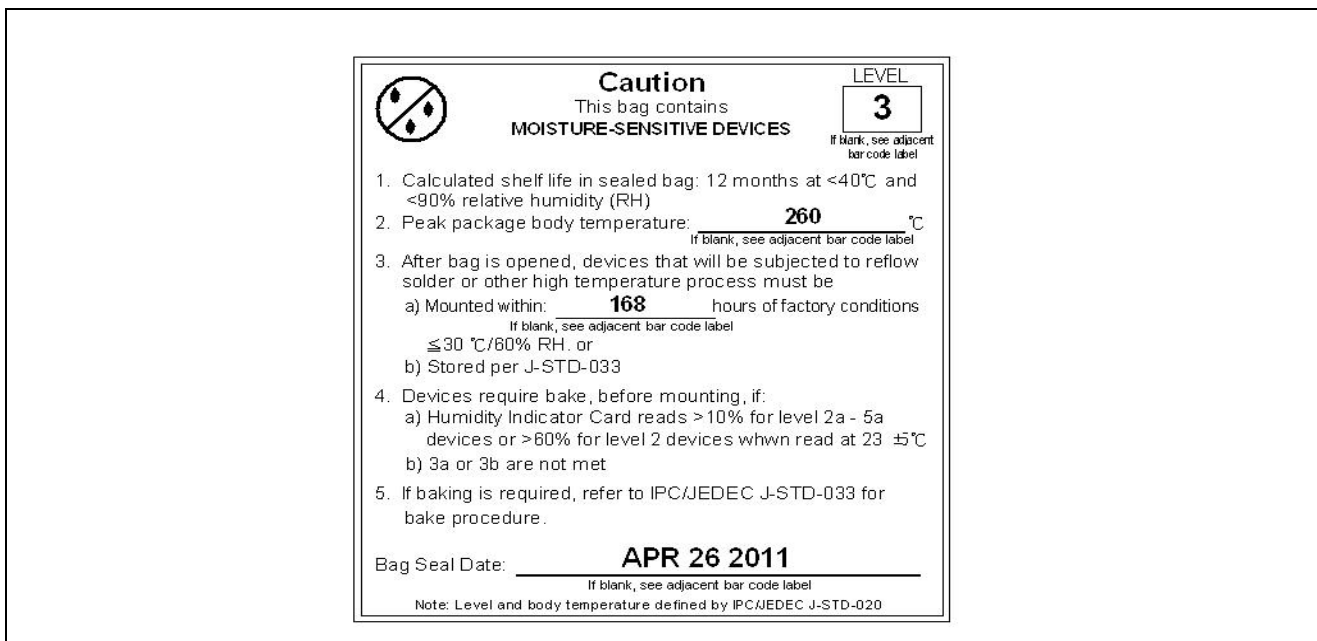
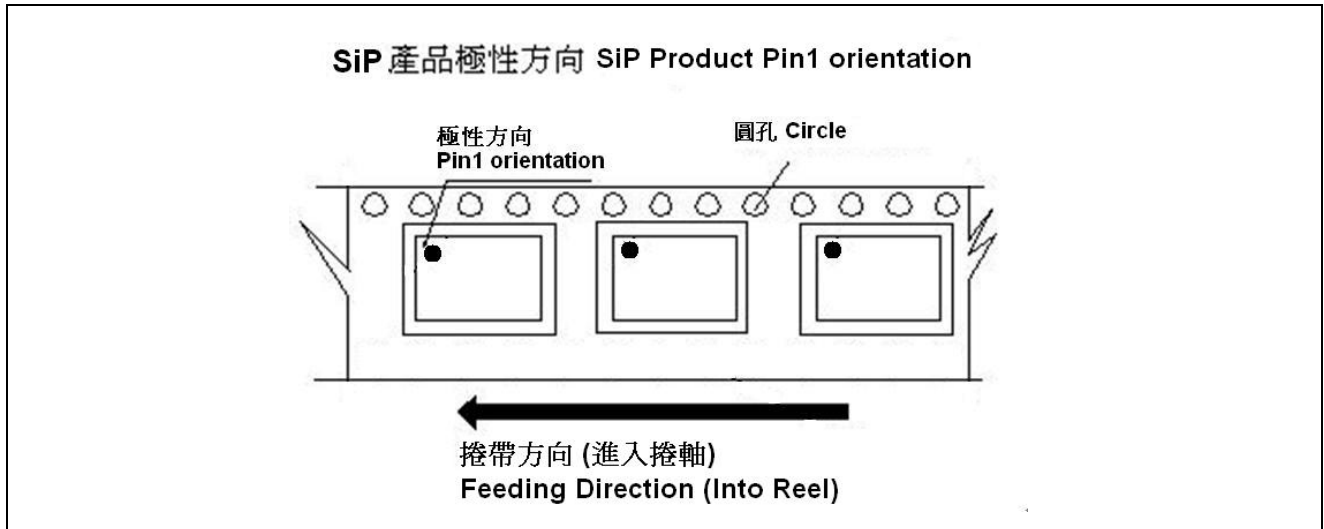


Figure 1-12 shows the location of pin 1 on the CYW20736E relative to its orientation on the tape packaging.

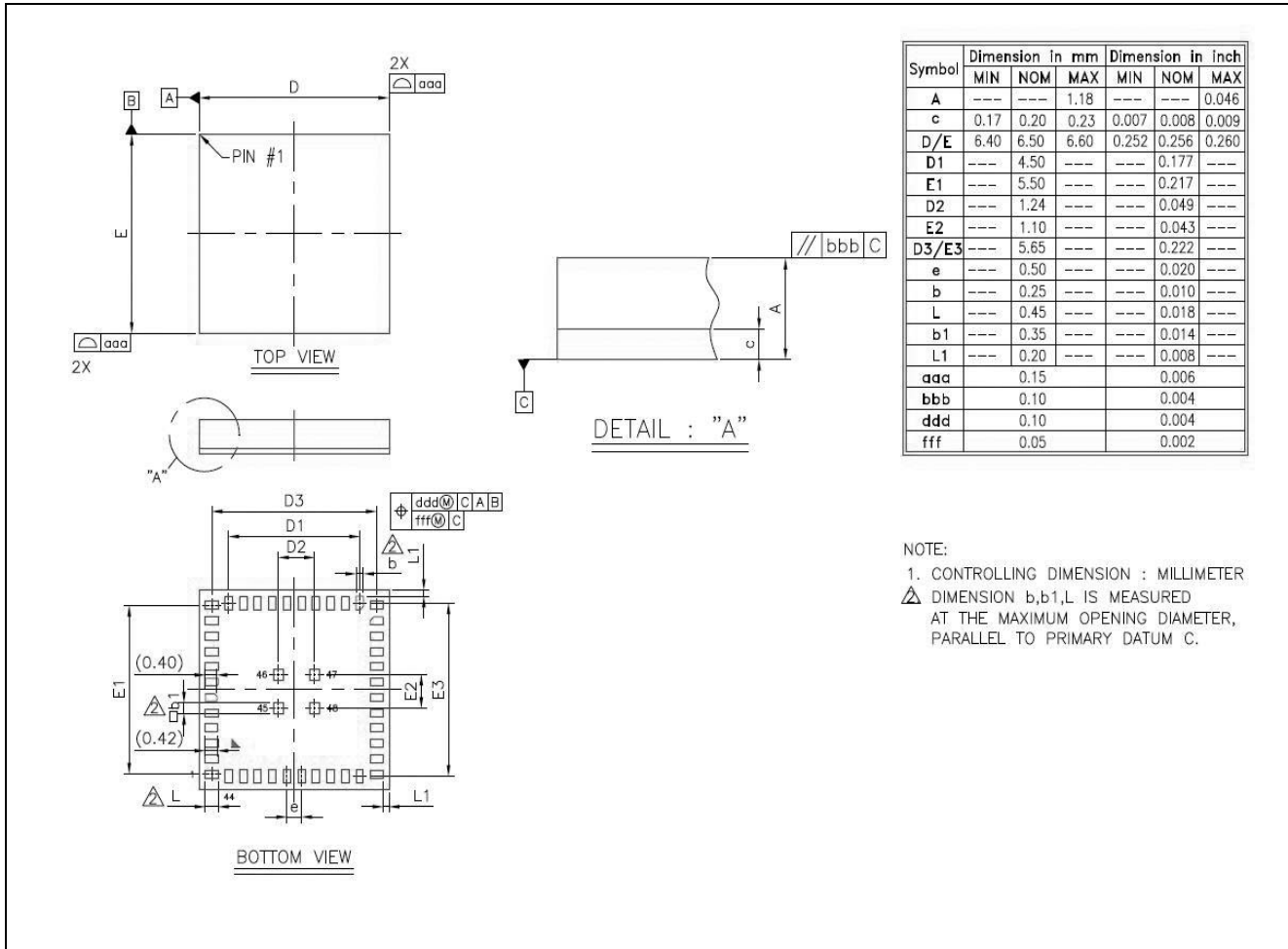
Figure 1-12. CYW20736E Tape and Reel Pin 1 Location



# 1.10 Mechanical Information

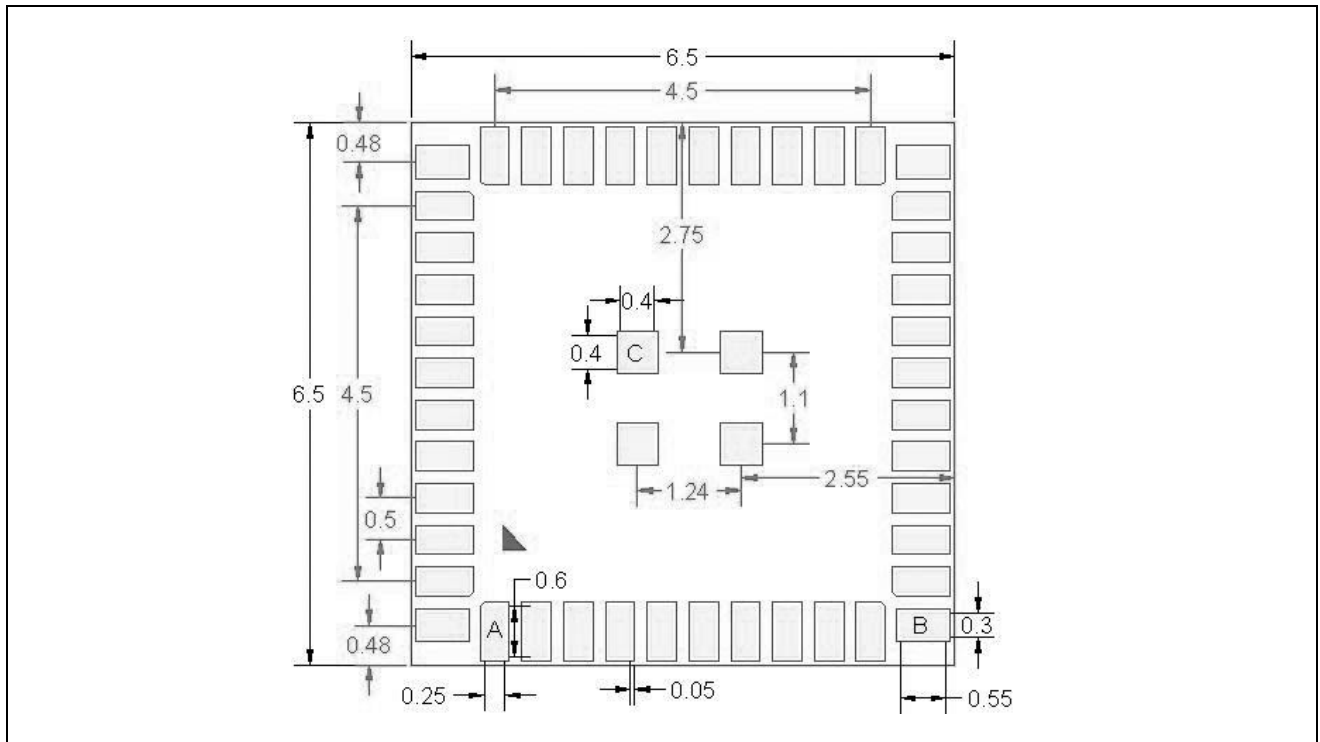
Package dimensions for the CYW20736E are shown in Figure 1-13.

Figure 1-13. CYW20736E Package Dimensions



Additional CYW20736E package dimensions are shown in Figure 1-14.

Figure 1-14. CYW20736E Pin Dimensions (Bottom View)



## 1.11 Ordering Information

Table 1-13. Ordering Information

Part	Package	Operating Temperature	Humidity
CYW20736E	48-pin LGA	-40°C to +85°C	95% max., noncondensing



# Revision History



## Document Revision History

Document Title: CYW20736E Bluetooth Low Energy System-in-Package Module				
Document Number: 002-15223				
Revision	ECN#	Issue Date	Origin of Change	Description of Change
**	-	08/17/2015	-	MMP20736E-TRM100-R: Initial Release
*A	-	04/11/2016	-	MMP20736E-TRM101-R <b>Updated:</b> <a href="#">Table 5, "Current Consumption"</a>
*B	5561731	01/27/2017	UTSV	Updated to Cypress Template.

## Looking for pricing, stock, or lifecycle information?

Click below to explore more details on WIN SOURCE:

 [View CYW20736E on WIN SOURCE](#)

 [Infineon Technologies](#) Information

## Optimize Your Supply Chain with WIN SOURCE Solutions

-  Global Sourcing Solution
-  Obsolete Management
-  Cost Control Management
-  Shortage Management
-  Alternative Solution
-  Excess Inventory Management