



ON Semiconductor®

<http://onsemi.com>

LA5774

Monolithic Linear IC

Separately-excited Step-down Switching Regulator (Variable Type)

Overview

The LA5774 is a Separately-excited step-down switching regulator (variable type).

Functions

- Low-ESR capacitor with increased reliability applicable as the output smoothing capacitor.
- High efficiency.
- Four external parts.
- Time-base generator (160kHz) incorporated.
- Current limiter incorporated.
- Thermal shutdown circuit incorporated.
- Soft start circuit incorporated.

Specifications

Absolute Maximum Ratings at $T_a = 25^\circ\text{C}$

Parameter	Symbol	Conditions	Ratings	Unit
Maximum Input voltage	$V_{IN\ max}$		30	V
Maximum Output current	$I_O\ max$		3	A
SW pin application reverse voltage	V_{SW}		-1	V
Allowable power dissipation	$P_d\ max1$	No heat sink	1.75	W
	$P_d\ max2$	Infinite heat sink	7.5	W
Operating temperature	T_{opr}		-30 to +125	$^\circ\text{C}$
Storage temperature	T_{stg}		-40 to +150	$^\circ\text{C}$

Stresses exceeding Maximum Ratings may damage the device. Maximum Ratings are stress ratings only. Functional operation above the Recommended Operating Conditions is not implied. Extended exposure to stresses above the Recommended Operating Conditions may affect device reliability.

Recommended Operating Conditions at $T_a = 25^\circ\text{C}$

Parameter	Symbol	Conditions	Ratings	Unit
Input voltage range	V_{IN}		4.5 to 28	V

LA5774

Electrical Characteristics at $T_a = 25^\circ\text{C}$, $V_O = 3.3\text{V}$

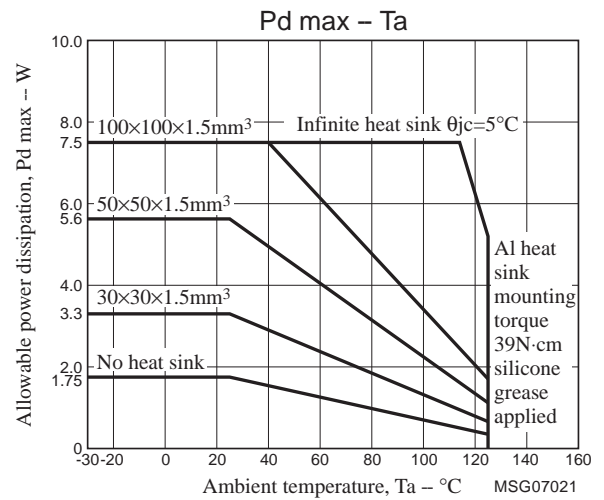
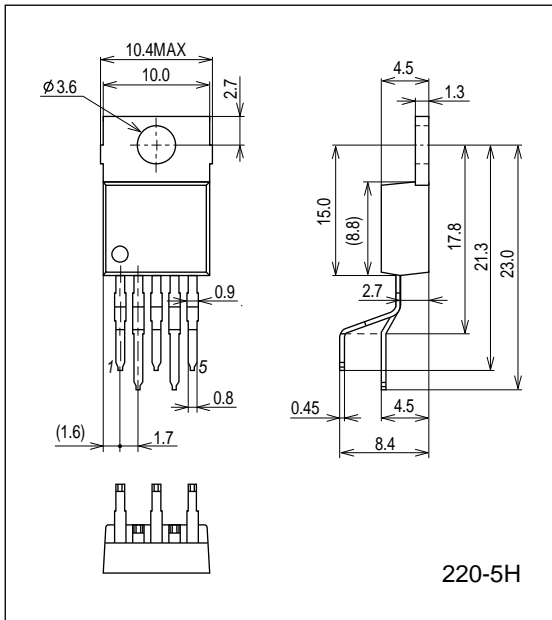
Parameter	Symbol	Conditions	Ratings			Unit
			min	typ	max	
Reference voltage	V_{OS}	$V_{IN} = 15\text{V}$, $I_O = 1.0\text{A}$	1.235	1.26	1.285	V
Efficiency	η	$V_{IN} = 15\text{V}$, $I_O = 1.0\text{A}$		78		%
Switching frequency	f	$V_{IN} = 15\text{V}$, $I_O = 1.0\text{A}$	128	160	192	kHz
Line regulation	$\Delta V_{O\text{LINE}}$	$V_{IN} = 8$ to 20V , $I_O = 1\text{A}$		40	100	mV
Load regulation	$\Delta V_{O\text{LOAD}}$	$V_{IN} = 15\text{V}$, $I_O = 0.5$ to 1.5A		10	30	mV
Output voltage temperature coefficient	$\Delta V_O/\Delta T_a$	Designed target value. *		± 0.5		mV/ $^\circ\text{C}$
Ripple attenuation factor	RREJ	$f = 100$ to 120Hz		45		dB
Current limiter operating voltage	I_S	$V_{IN} = 15\text{V}$	3.1			A
Thermal shutdown operating temperature	TSD	Designed target value. *		165		$^\circ\text{C}$
Thermal shutdown Hysteresis width	ΔTSD	Designed target value. *		15		$^\circ\text{C}$

* Design target value: No measurement made.

Package Dimensions

unit : mm (typ)

3079C

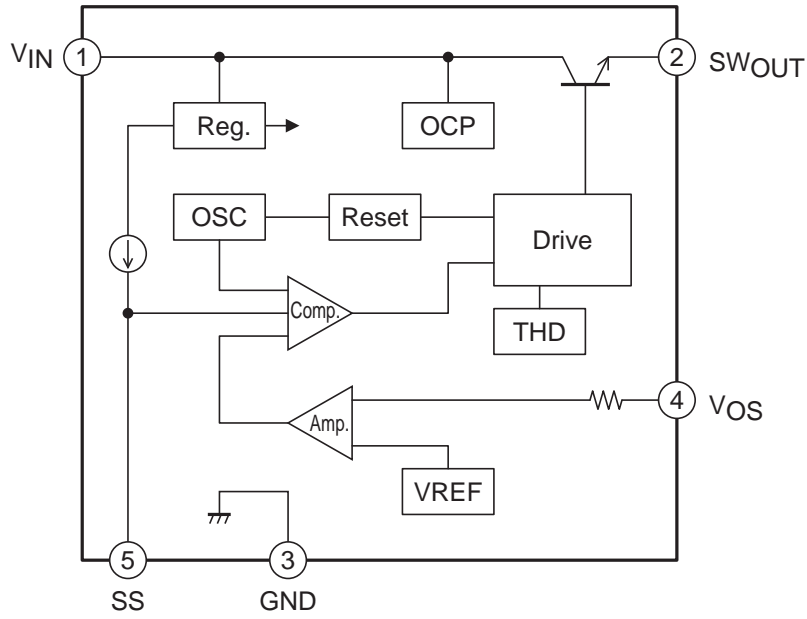


Pin Assignment

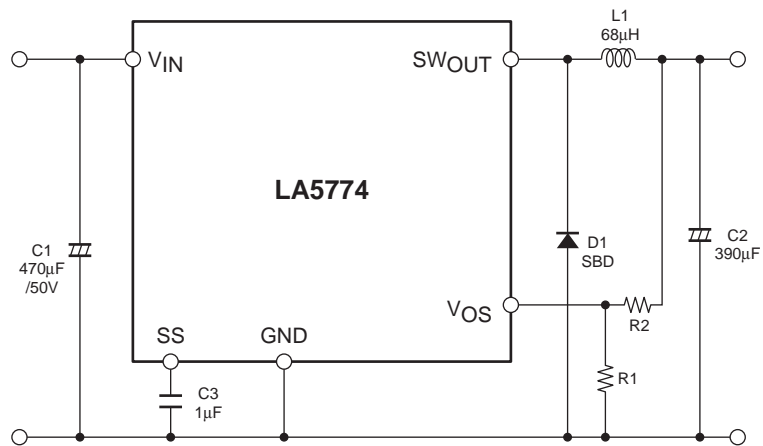
- (1) V_{IN} (2) SW_{OUT} (3) GND (4) V_{OS} (5) SS

LA5774

Block Diagram



Application Circuit Example



Notes: C3 is for the soft start function. Delete C3 and keep the SS pin open when the soft start function is not necessary.

Description of Functional Settings

1. Calculation equation to set the output voltage

This IC controls the switching output so that the V_{OS} pin voltage becomes 1.26V (typ).
The equation to set the output voltage is as follows:

$$V_O = \left(1 + \frac{R_2}{R_1}\right) \times 1.26V(\text{typ})$$

The V_{OS} pin has the inrush current of 1μA (typ). Therefore, the error becomes larger when R₁ and R₂ resistance values are large.

2. Start delay function

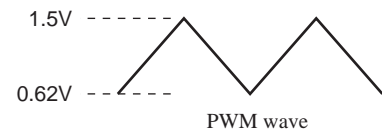
The SS pin has the internally-connected 22μA (typ) constant-current supply. When the voltage of SS pin exceeds the threshold voltage, the regulator starts operation. As the threshold voltage is 0.62V (typ), the start delay time can be calculated as follows:

ex. For setting at 1μF

$$Td = \frac{C \times V}{i} = \frac{1\mu F \times 0.62}{22\mu A} = 28.2 \text{ ms}$$

3. Soft start function

The internal PWM waveform has the voltage value as shown in the right.
If down-conversion from the voltage of V_{IN} = 15 V to V_{IN} = 3.3V is to be made, for example, the PWM-ON duty has the value as shown below.



$$PWMduty = \frac{V_{OUT}}{V_{IN} - V_{sat} + VF} = 23 \%$$

(Note that calculation is made with V_{sat} = 1V and VF = 0.2V)

The output voltage of error amplifier, which is 3.3 V, is the value with PWM = 23%, as calculated in the above equation, so that this voltage is determined as follows:

$$V_{er} = (\Delta VPWM) \times PWMduty + VPWML = 0.88V \times 0.23 + 0.62V = 0.82V$$

(ΔVPWM is the PWM amplitude value or 0.88V(typ) while VPWML is the lower limit voltage of PWM waveform or 0.62V(typ))

SS pin and error amplifier output voltages are designed to prefer the lower voltages, so that V_{OUT} will reach the designed regulation voltage in timing when the SS pin voltage exceeds the error amplifier output.

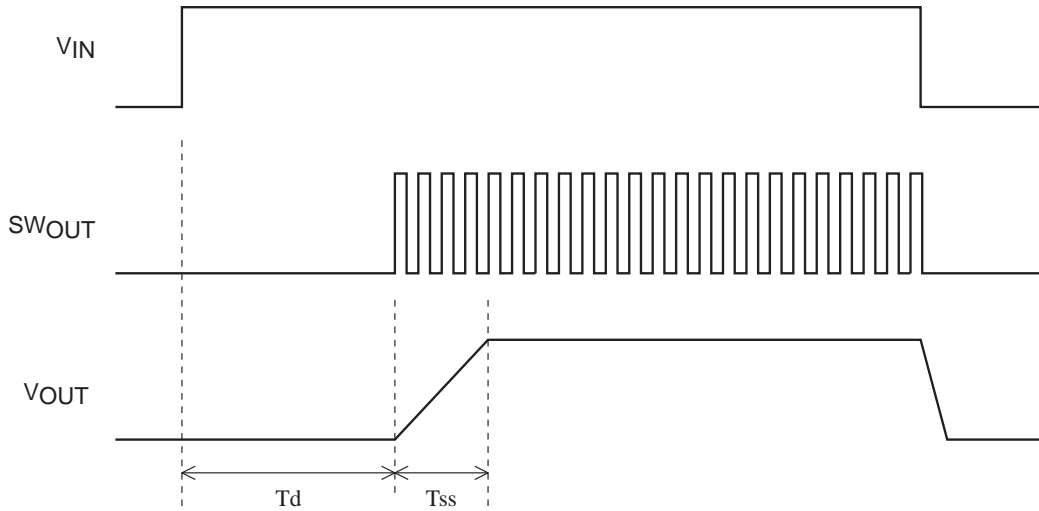
Therefore, the soft start time is calculated as follows:

$$T_{ss} = \frac{C \times \Delta VPWM \times PWMduty}{i} = \frac{C \times 0.88 \times PWMduty}{22\mu A}$$

For the set conditions of C = 1μF and PWMduty = 23%:

$$T_{ss} = \frac{1\mu F \times 0.88V \times 0.23}{22\mu A} = 9.2ms$$



Timing Chart



ON Semiconductor and the ON logo are registered trademarks of Semiconductor Components Industries, LLC (SCILLC). SCILLC owns the rights to a number of patents, trademarks, copyrights, trade secrets, and other intellectual property. A listing of SCILLC's product/patent coverage may be accessed at www.onsemi.com/site/pdf/Patent-Marking.pdf. SCILLC reserves the right to make changes without further notice to any products herein. SCILLC makes no warranty, representation or guarantee regarding the suitability of its products for any particular purpose, nor does SCILLC assume any liability arising out of the application or use of any product or circuit, and specifically disclaims any and all liability, including without limitation special, consequential or incidental damages. "Typical" parameters which may be provided in SCILLC data sheets and/or specifications can and do vary in different applications and actual performance may vary over time. All operating parameters, including "Typicals" must be validated for each customer application by customer's technical experts. SCILLC does not convey any license under its patent rights nor the rights of others. SCILLC products are not designed, intended, or authorized for use as components in systems intended for surgical implant into the body, or other applications intended to support or sustain life, or for any other application in which the failure of the SCILLC product could create a situation where personal injury or death may occur. Should Buyer purchase or use SCILLC products for any such unintended or unauthorized application, Buyer shall indemnify and hold SCILLC and its officers, employees, subsidiaries, affiliates, and distributors harmless against all claims, costs, damages, and expenses, and reasonable attorney fees arising out of, directly or indirectly, any claim of personal injury or death associated with such unintended or unauthorized use, even if such claim alleges that SCILLC was negligent regarding the design or manufacture of the part. SCILLC is an Equal Opportunity/Affirmative Action Employer. This literature is subject to all applicable copyright laws and is not for resale in any manner.

Looking for pricing, stock, or lifecycle information?

Click below to explore more details on WIN SOURCE:

-  [View LA5774-E on WIN SOURCE](#)
-  [ON Semiconductor](#) Information

Optimize Your Supply Chain with WIN SOURCE Solutions

-  Global Sourcing Solution
-  Obsolete Management
-  Cost Control Management
-  Shortage Management
-  Alternative Solution
-  Excess Inventory Management