



ON Semiconductor®

<http://onsemi.com>

LB11899J

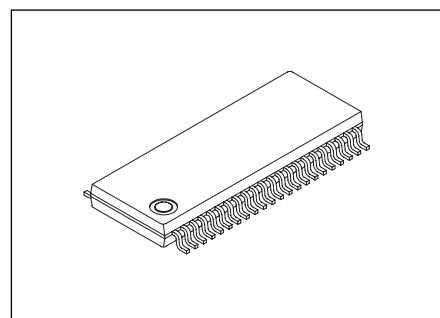
Monolithic Digital IC Three-in-One Motor Driver for Portable VCR

Overview

LB11899J is a three-in-one motor driver for portable VCR.

Function

- Capstan motor drive unit
 - 3-phase, 120 degrees full conducting, direct PWM drive
 - Built in PWM oscillator
 - Current limiter (It is fixed internally and setup externally.)
 - Forward/reverse rotation
 - 2 levels FG amplifier (Built-in gain resistor)
 - Control amplifier output pin
 - Over voltage protection function Built-in
- Drum motor drive unit
 - 3-phase, 120 degrees full conducting soft switching sensorless drive
 - FG sensorless function
 - 2 levels PG amplifier
 - FG and PG mixing output (Separated output is also possible.)
 - Over voltage protection function Built-in
- Loading motor drive unit
 - H-bridge forward/reverse rotation
 - Motor voltage switch
 - Short brake
 - Input control for 3 values
 - Over voltage protection function Built-in
- Common unit
 - Over-heat protection function (Thermal Shut Down)



SSOP44J(275mil)

Specifications

Absolute Maximum Ratings at Ta = 25°C

Parameter	Symbol	Conditions	Ratings	Unit
IC power source voltage	VCC max		6.5	V
Motor power source 1	CVCO max		30.0	V
Motor power source 2	DVCO max		30.0	V
Motor power source 2	LVCO max		30.0	V
Applied input voltage	V _{I1} max		-0.3 to V _{CC} +0.3	V
Motor output current1	ICOUT max	Peak current	1.1	A
Motor output current2	IDOUT max	Peak current (within 2sec)	0.65	A
	IDOUT2max	Constant current	0.2	A
Motor output current3	ILOUT max	Peak current (within 2sec)	0.65	A
	ILOUT2max	Constant current	0.2	A

Continued on next page.

ORDERING INFORMATION

See detailed ordering and shipping information on page 16 of this data sheet.

LB11899J

Continued from preceding page.

Parameter	Symbol	Conditions	Ratings	Unit
Allowable internal power dissipation	Pd max1	IC alone	0.6	W
	Pd max2	Specified board	1.8	W
Pin voltage range 1	VPIN max1	CRSS, CRSP, CUOUT, CVOUT, CWOUT	CMGND-VF to CV _{CC} +VF	V
Pin voltage range 2	VPIN max2	DRS, DCOM, DUOUT, DVOUT, DWOUT	DMGND-VF to DV _{CC} +VF	V
Pin voltage range 3	VPIN max3	LOUT1, LOUT2	LGND-VF to LV _{CC} +VF	V
Operating temperature	Topr		-20 to +75	°C
Storage temperature	Tstg		-55 to +150	°C

Stresses exceeding Maximum Ratings may damage the device. Maximum Ratings are stress ratings only. Functional operation above the Recommended Operating Conditions is not implied. Extended exposure to stresses above the Recommended Operating Conditions may affect device reliability.

Allowable Operating Range at Ta = 25°C

Parameter	Symbol	Conditions	Ratings	Unit
Power source voltage 1	VCC		4 to 6	V
Power source voltage 2	CV _{CO}		8 to 28	V
Power source voltage 3	DV _{CO}		8 to 16	V
Power source voltage 4	LV _{CO}		8 to 16	V
Electric potential difference between MGND and SGND	ΔGND	(MGND)-(SGND)	-0.3 to +0.4	V

Electrical Characteristics

Parameter	Symbol	Conditions	Ratings			Unit
			min	typ	max	
Common Unit at Ta = 25°C, VCC = 5V, CV _{CO} = DV _{CO} = LV _{CO} = 12V						
Power source current 1	ICC			17	25	mA
Power source current 2	ICVCO			0.15	2	mA
Power source current 3	IDVCO			0.53	2	mA
Power source current 4	ILVCO			1	2	mA
Power source current 5	IVCCQ	VCC = 0V, ICVCO+IDVCO+ILVCO		100	200	μA
Thermal shutdown temperature	TSD	*Design Target Value	140	160	180	°C
Thermal shutdown hysteresis	ΔTSD	*Design Target Value		15		°C
Capstan Motor Unit at Ta = 25°C, VCC = 5V, CV _{CO} = 12V						
Output saturation voltage 1	CVSAT	I _O = 0.8A, Source+Sink		2.4	3.5	V
Hall signal input level	VHALL		100			mVp-p
Hall in-phase input voltage	VCM		1.0		VCC-1.7	V
CILM pin input voltage range	VCLIM		0		VCC	V
CILM pin input current	ICLIM	CILIM = 3V		0.5	2.0	μA
CILIM control start voltage	VCLIMST	CRSS = 0.5Ω, VCRSP ≥ 10mV	2.44	2.515	2.590	V
CILIM gain	GCLIM	CCTL = 5V, CRSS = 0.5Ω	0.49	0.53	0.57	V/V
CILIM pin short brake release voltage	BROFF1		1.1		1.4	V
CCTL input voltage range	VCCTL		0		VCC	V
CCTL input current	ICCTL	CCTL = 3V		0.5	2.0	μA
CCTL control start voltage	OCCTL	CRSS = 0.5Ω, VCRSP ≥ 10mV	2.44	2.515	2.590	V
CCTL gain	GCCTL	CILIM=5V, CRSS = 0.5Ω	0.49	0.53	0.57	V/V
CCTL pin short brake release voltage	BROFF1		1.1		1.4	V
CCTL pin short brake flow current	IBROFF1			0.1	0.3	μA
F/R forward voltage	VFW		1.5		VCC	V

* Note: Thermal design must be set for a junction temperature of 140°C.

* It is a design target value and measurement is not carried out.

Continued on next page.

LB11899J

Continued from preceding page.

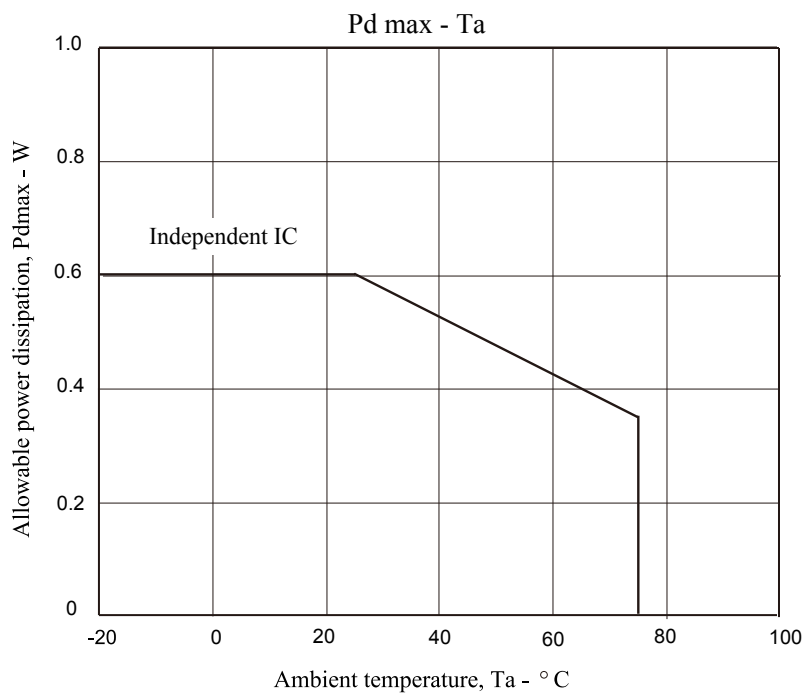
Parameter	Symbol	Conditions	Ratings			Unit
			min	typ	Max	
F/R reverse voltage	VRW		0		1	V
F/R input current	IFR	FRC = 3V		100	200	μA
FG amplifier reference voltage	VFGR		2.40	2.50	2.60	V
Linear amplifier gain DC 36kHz	GDC		29.5	31.1	32.7	times
	G36		20.0	25.0	30.0	times
Hysteresis amplifier output voltage	VHO	I _{HO} = 4mA		0.2	0.4	V
Hysteresis of hysteresis amplifier	VHS	Both hysteresis	56	72	86	mV
Hysteresis amplifier output duty ratio	FGDT	360Hz F _{gin} = 40mVp-p	49	50	51	%
PWM carrier frequency	FOSC	CPWM = 680pF	18.5	21.7	25.0	kHz
Over voltage protection current	IPROTC	VCC=0V	1			mA
MGND –SGND Resistance	RMSUB			10	30	Ω
Internal current limiter setup voltage	CLIM	RS = 100Ω	0.58	0.63	0.68	V
Drum Motor Unit at Ta = 25°C, VCC = 5V, DV _{CO} = 12V						
Output saturation voltage 2	DVSAT	IO=0.5A, Source+Sink		1.8	2.6	V
DCTL input voltage range	VDCTL		0		VREG	V
DCTL input current	IDCTL	DCTL = 3V			0.5	μA
DCTL control start voltage	ODCTL	VDRS ≥ 10mV	2.40	2.50	2.60	V
DCTL gain	GDCTL	DRS=0.5Ω,	0.40	0.50	0.60	V/V
PCOUT output current 1	IPCOU	Source side	20	45		μA
PCOUT output current 2	IPCOD	Sink side	20	45		μA
VCOIN input current	IVCOIN	VCOIN = 3V, sink current			1	μA
Minimum VCO frequency	FVCO min	CX = 0.022μF, VCOINN = Open	330	410	500	Hz
Maximum VCO frequency	FVCO max	CX = 0.022μF, VCOIN = 5V	15.0	18.0	21.0	kHz
C1/C2 source current ratio	RSOURCE	1-(IC1SOURCE/IC2SOURCE)	-12	0	12	%
C1/C2 sink current ratio	RSINK	1-(IC1SINK/IC2SINK)	-12	0	12	%
C1 source/sink current ratio	RC1	IC1SOURCE/IC1SINK	40	50	60	%
C2 source/sink current ratio	RC2	IC2SOURCE/IC2SINK	40	50	60	%
FGO output high level voltage	VFGH		4.7			V
FGO output low level voltage	VFGL				0.4	V
PG amplifier reference voltage	VPGREF		2.8	3.0	3.2	V
PG amplifier input offset	OPG		-4		+4	mV
PG amplifier input bias	IPG	PG- = 2.5V, source current			0.25	μA
Linear amplifier gain	GAMP	Freq = 1kHz	50			dB
Hysteresis amplifier threshold level 1	VHYS1		70	100	130	mV
Hysteresis amplifier threshold level 2	VHYS2		140	200	260	mV
PG output high level voltage	VPH		4.7			V
PG output low level voltage	VPL				0.2	V
FG/PG mix MID voltage	Vmid		2.4	2.5	2.6	V
Over voltage protection current	IPROTD	VCC=0V	1			mA
Internal current limiter setup voltage	DILM	RS = 100Ω	0.30	0.33	0.37	V
Loading Unit at Ta = 25°C, VCC = 5V, LV _{CO} = 12V						
Input voltage	1 (HIGH)	V _{INH}		4	5	V
	2 (Middle)	V _{INM}		2	3	V
	3 (LOW)	V _{INL}		0	1	V
Input current	I _{LIN0}	L _{IN} = 0V, source side		130	200	μA
	I _{LIN5}	L _{IN} = 5V, sink side		130	200	μA

Continued on next page.

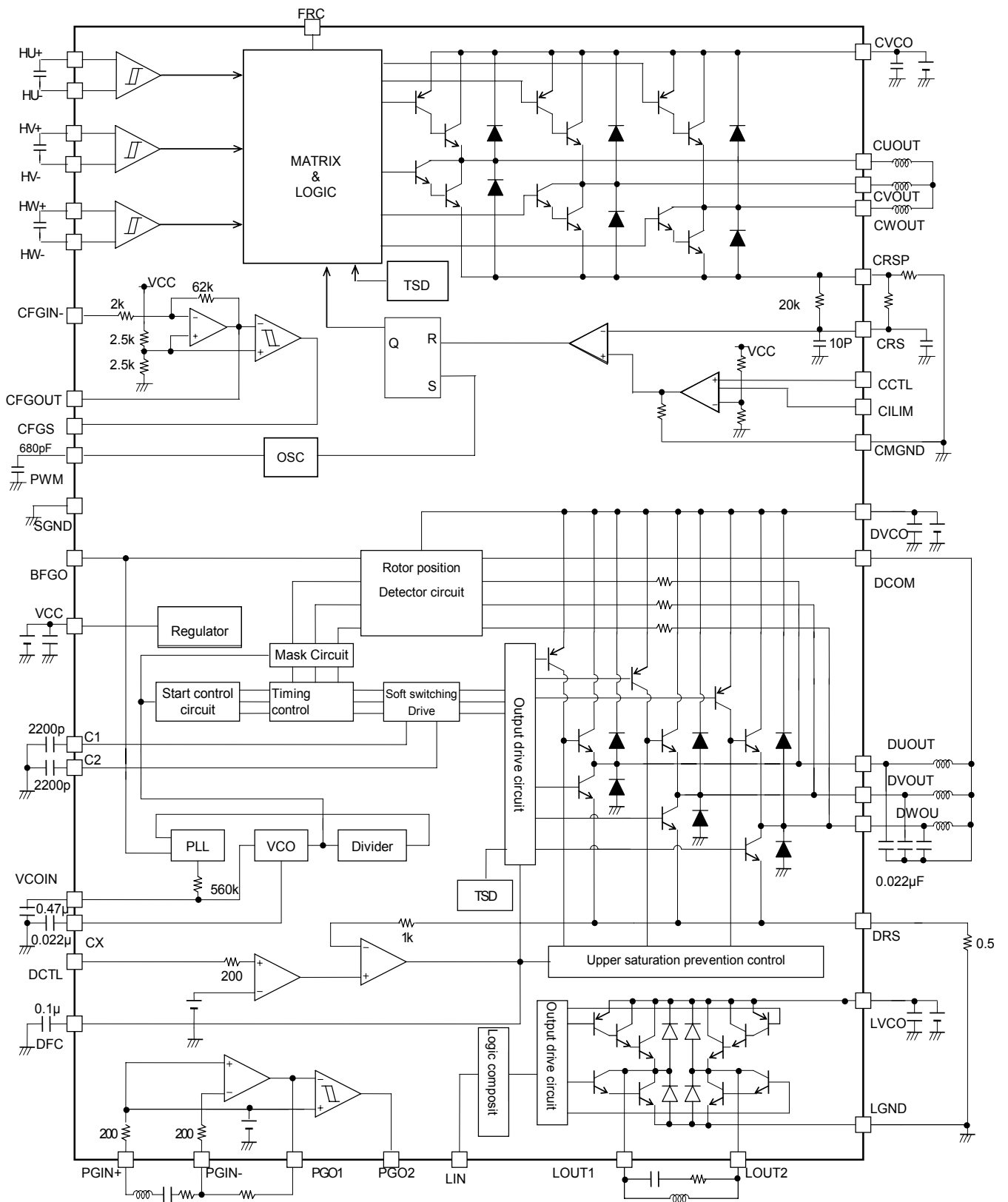
LB11899J

Continued from preceding page.

Parameter	Symbol		Conditions	Ratings			Unit
				min	min	max	
Saturation voltage	VSAT U-1		L_VREF = LV _{CC} Between output and LV _{CC} I _O = 0.6A, CW/CCW mode		2.0	2.5	V
	VSAT L-1		L_VREF = LV _{CC} Between output and LV _{CC} I _O = 0.6A, CW/CCW mode		1.3	1.8	V
	VSATIL		L_VREF = LV _{CC} SINK+SOURCE I _O = 0.4A, CW/CCW mode		2.8	3.5	V
Output transistor leak current	Upper	ILU	V _{CC} = 0V			50	μA
	Lower	ILL	V _{CC} = 0V			50	μA
Over voltage protection current	IPROTL		V _{CC} =0V	1			mA

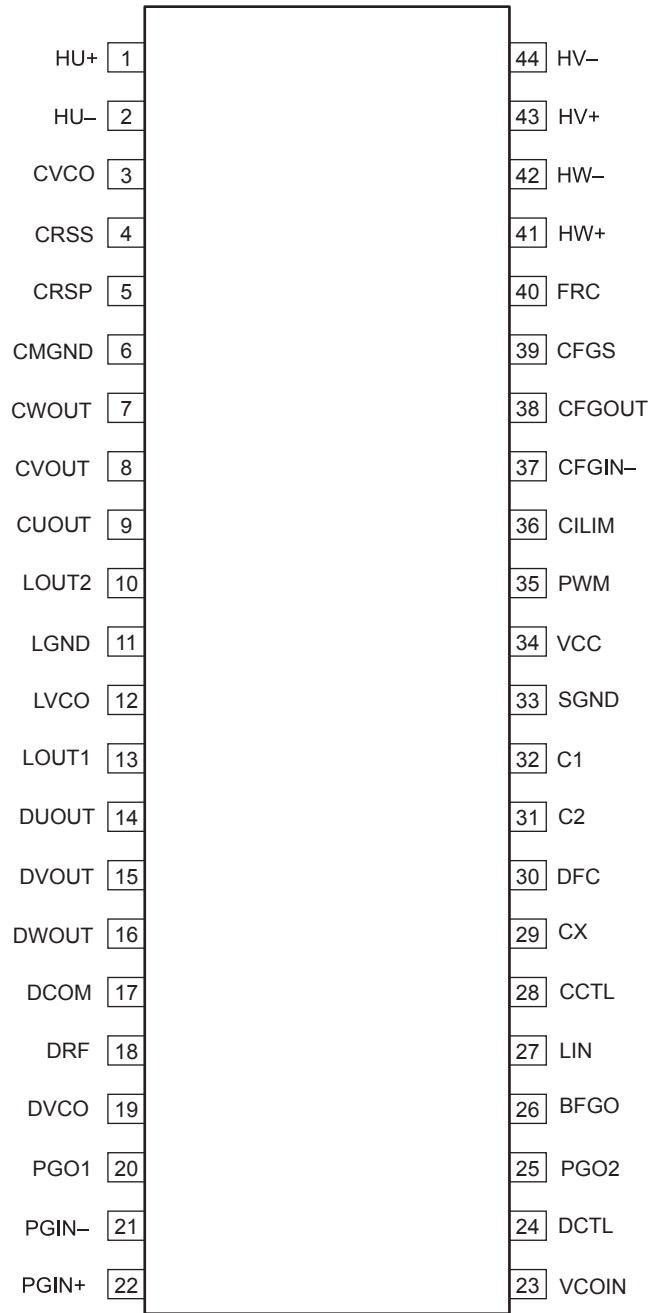


Block Diagram



LB11899J

Pin Assignment



TOP VIEW

LB11899J

Pin Description

Pin No	Symbol	Pin voltage	Pin Description	Equivalent Circuit
3	CV _{CO}	8V to 28V	Power pin of capstan motor driver	
19	DV _{CO}	8V to 28V	Power pin of drum motor driver	
12	LV _{CO}	8V to 28V	Power pin of loading motor driver	
34	V _{CC}	4V to 6V	Power pin to provide all voltages other than the output transistor and pre-drive	
6	CMGND		Capstan motor GND	
33	SGND		GND for all other than output	
1	HU+	1.5V to V _{CC} -1.5V	U-phase Hall element input pin HU+>HU- state for logic H	
2	HU-			
43	HV+		V-phase Hall element input pin. HV+>HV- state for logic H	
44	HV-			
41	HW+		W-phase Hall element input pin. HW+>HW- state for logic H	
42	HW-			
37	CFGIN-	1V to V _{CC} -1.5V	Capstan FGAMP reverse input pin	
38	CFGOUT		Capstan FGMP linear output pin Return resistor is incorporated with the amplification degree of about 31-fold.	
39	CFGS		FG Schmidt amp output pin of capstan block	
40	FRC	0V to V _{CC}	Capstan forward/reverse control pin	

Continued on next page.

LB11899J

Continued from preceding page.

Pin No	Symbol	Pin voltage	Pin Description	Equivalent Circuit
5	CRSS		Capstan current detection filter pin Connect the current detected at C-RFP to this pin after passing through the CR filter.	
35	PWM		Capacitor connection pin for PWM oscillation at capstan	
36	CILIM	0V to V _{CC}	Capstan current limit setting pin	
28	CCTL	0V to V _{CC}	Capstan speed control voltage application pin	
7	CWOUT		Capstan W-phase output pin	
8	CVOUT		Capstan V-phase output pin	
9	CUOUT		Capstan U-phase output pin	
5	CRSP		PWRTR GND and current return resistor connection pin	

Continued on next page.

LB11899J

Continued from preceding page.

Pin No	Symbol	Pin voltage	Pin Description	Equivalent Circuit
30	DFC		Drum frequency characteristics compensation pin. Insertion of a capacitor to GND stops oscillation of the closed loop of current control system	
24	DCTL	0V to V _{CC}	Drum speed control pin. Control is the constant current control to which current return is applied from DRS.	
22	PGIN+		Drum PG amplifier non-inverted input pin Biased internally to (3/5)×V _{CC}	
21	PGIN-		Drum PG amplifier inverted input pin	
20	PGO1		Drum PG amplifier linear output pin	

Continued on next page.

LB11899J

Continued from preceding page.

Pin No	Symbol	Pin voltage	Pin Description	Equivalent Circuit
25	PGO2		Drum PG Schmidt amplifier output pin	
26	BFGO		Drum motor reverse counter-electromotive voltage detection output pin (three-phase synthesizing)	
23	VCOIN		VCO circuit voltage input pin of drum block. The PCOUT pin voltage is input via CR filter.	
14	DUOUT		Drum motor driver output pin	
15	DVOUT			
16	DWOUT			
18	DRF		Minimum potential of drum motor driver output transistor. Constant-current control is made through detection of this voltage. The current limiter also functions by detecting this potential.	
17	DCOM		Motor coil neutral point input pin. The coil voltage waveform is detected with reference to this voltage.	

Continued on next page.

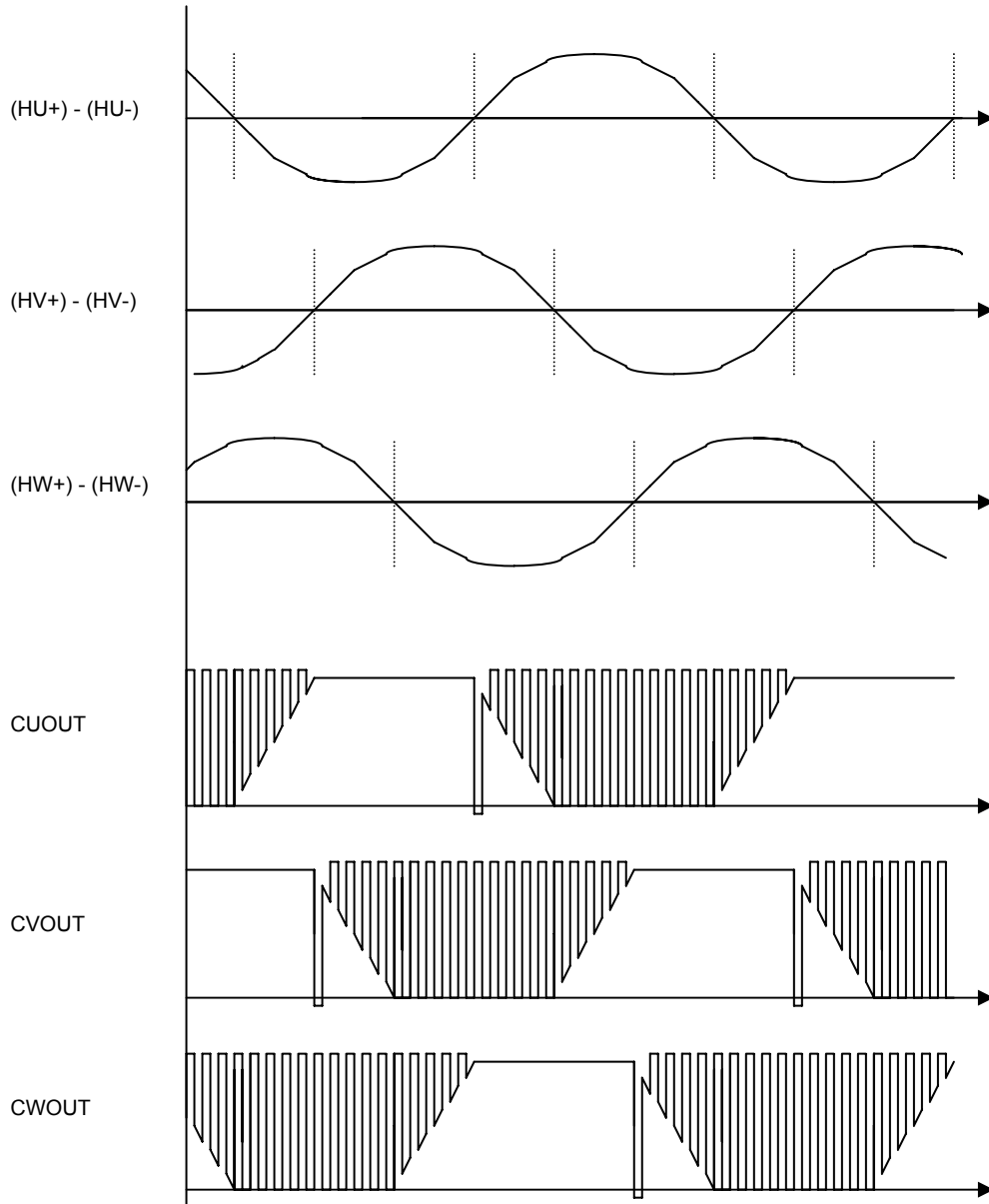
LB11899J

Continued from preceding page.

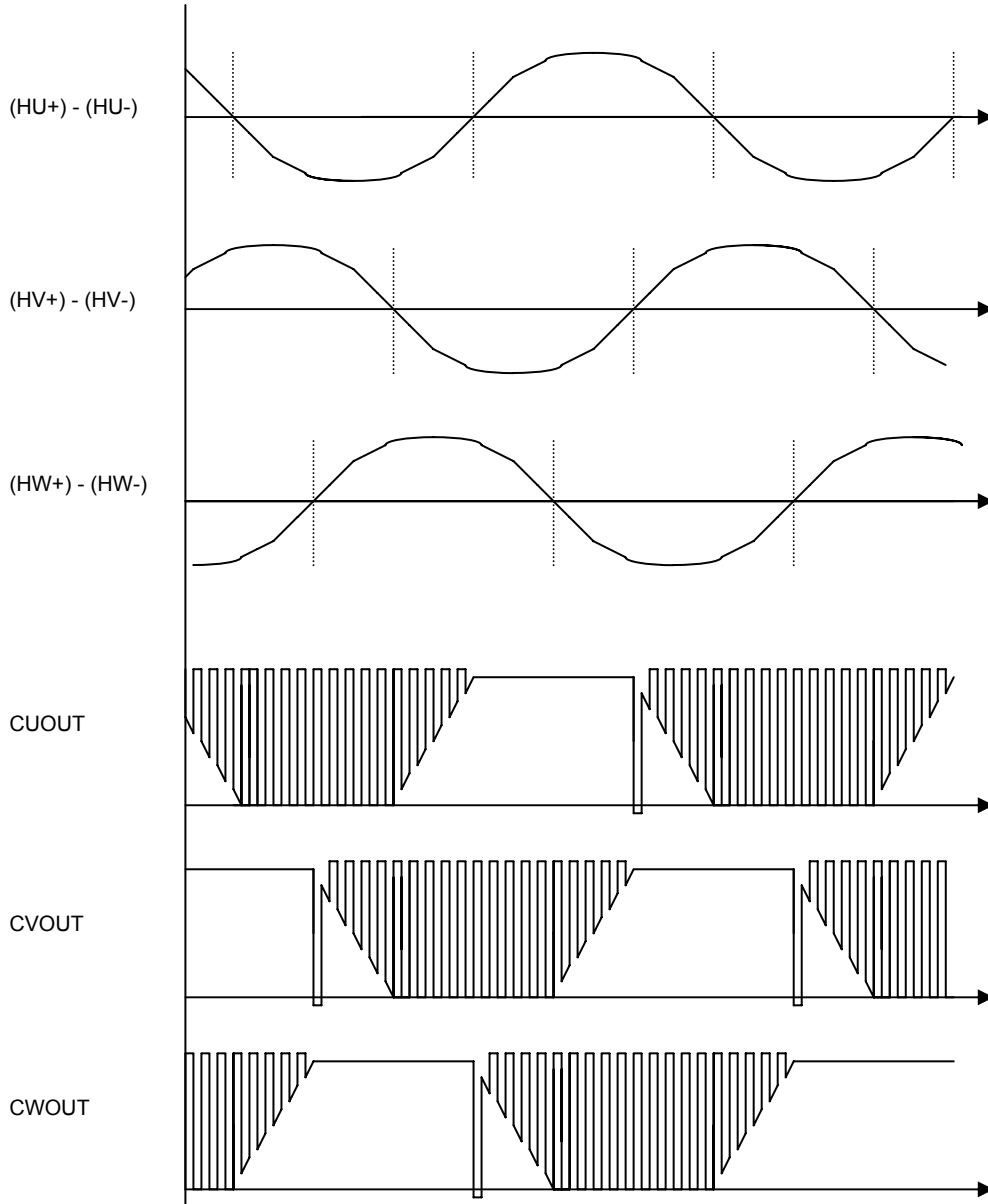
Pin No	Symbol	Pin voltage	Pin Description	Equivalent Circuit
32	C1		Triangular wave generating capacitor connection pin of drum block. This triangular wave performs soft-switching of the coil output waveform.	
31	C2			
29	CX		In the VCO circuit, the operation frequency range and minimum operation frequency are determined by means of the capacitor value connected to this pin and GND.	
27	LIN	0V to V _{CC}	Loading logic input pin	
13	LOUT1		Loading motor driver output pin	
10	LOUT2			
11	LGND		Loading output transistor GND pin	

Timing Chart and Truth Table

1. Capstan Motor Driver Drive waveform (FRC = L)



2. Capstan Motor Driver Drive waveform (FRC = H)



3. Capstan Motor Driver Truth Table & Control Functions

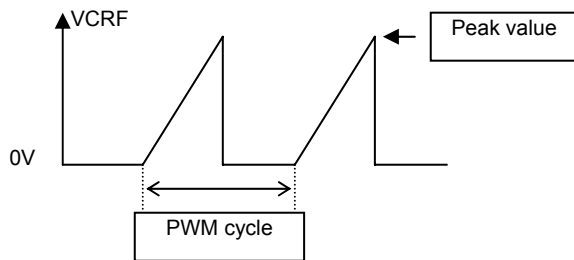
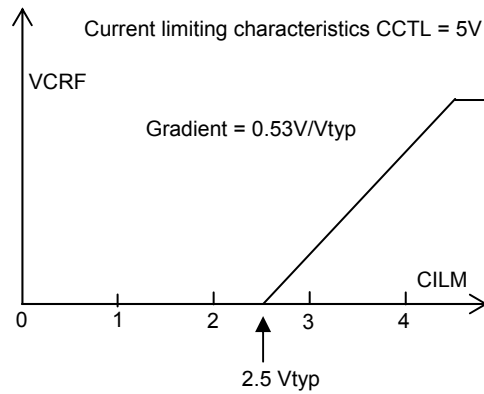
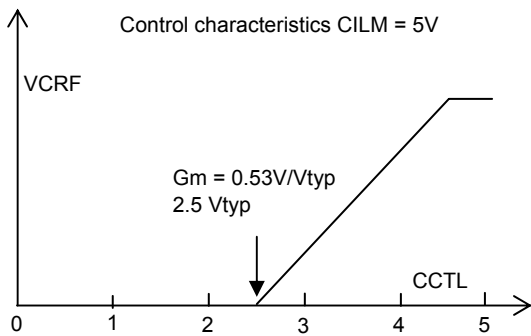
	Source→Sink	Hall input			FRC
		U	V	W	
1	V → W	H	H	L	H
	W → V				L
2	U → W	H	L	L	H
	W → U				L
3	U → V	H	L	H	H
	V → U				L
4	W → V	L	L	H	H
	V → W				L
5	W → U	L	H	H	H
	U → W				L
6	V → U	L	H	L	H
	U → V				L

Note) H of FRC means the voltage of 1.5V or more while L means the voltage of 1.0V or less. (At V_{CC} = 5V)

Note) For the Hall input, the input H means the condition in which (+) relative to each phase input (-) is higher by 0.1V.

The input L means the condition in which (+) relative to (-) is lower by 0.1V or more.

Control function & control limiting function

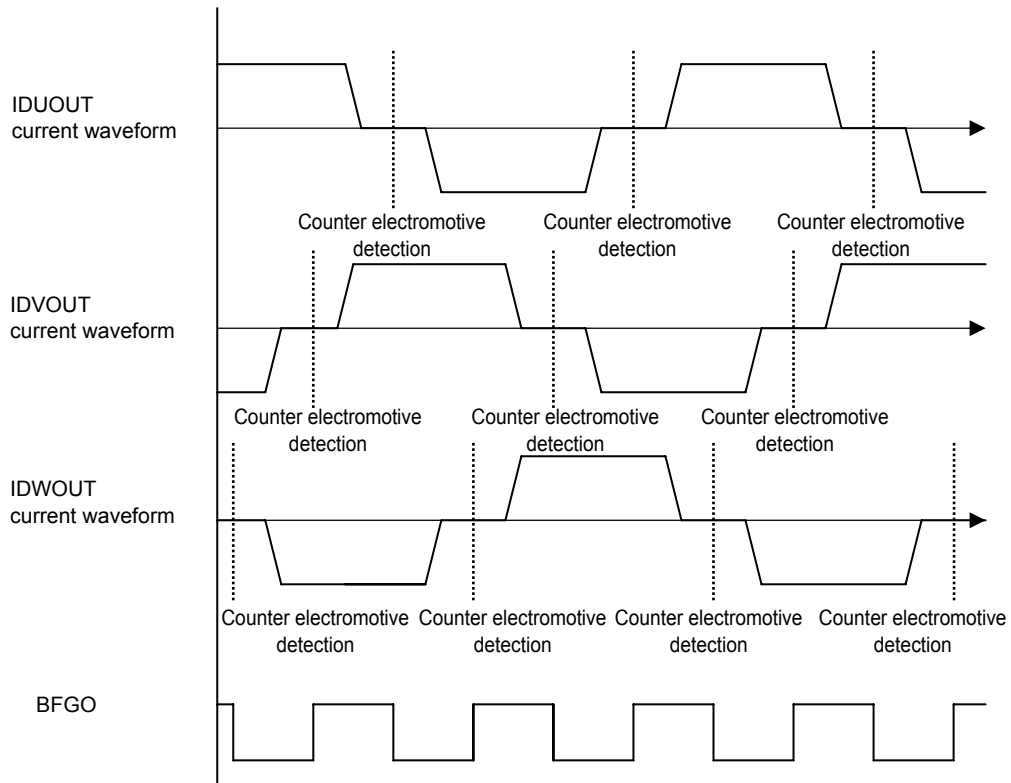


Caution: For the VCRF voltage of control characteristics, the peak value is to be measured.

Cautions for use)

- When the direct reversion brake is to be used, keep the voltage at the CILIM terminal 3.1V or less so that IOMAX is not exceeded.
- The capacitor to be used between power supply and GND should be an electrolytic capacitor of 47μF or more.

4. Drum Motor Driver Drive current waveform



5. Loading Motor Truth table

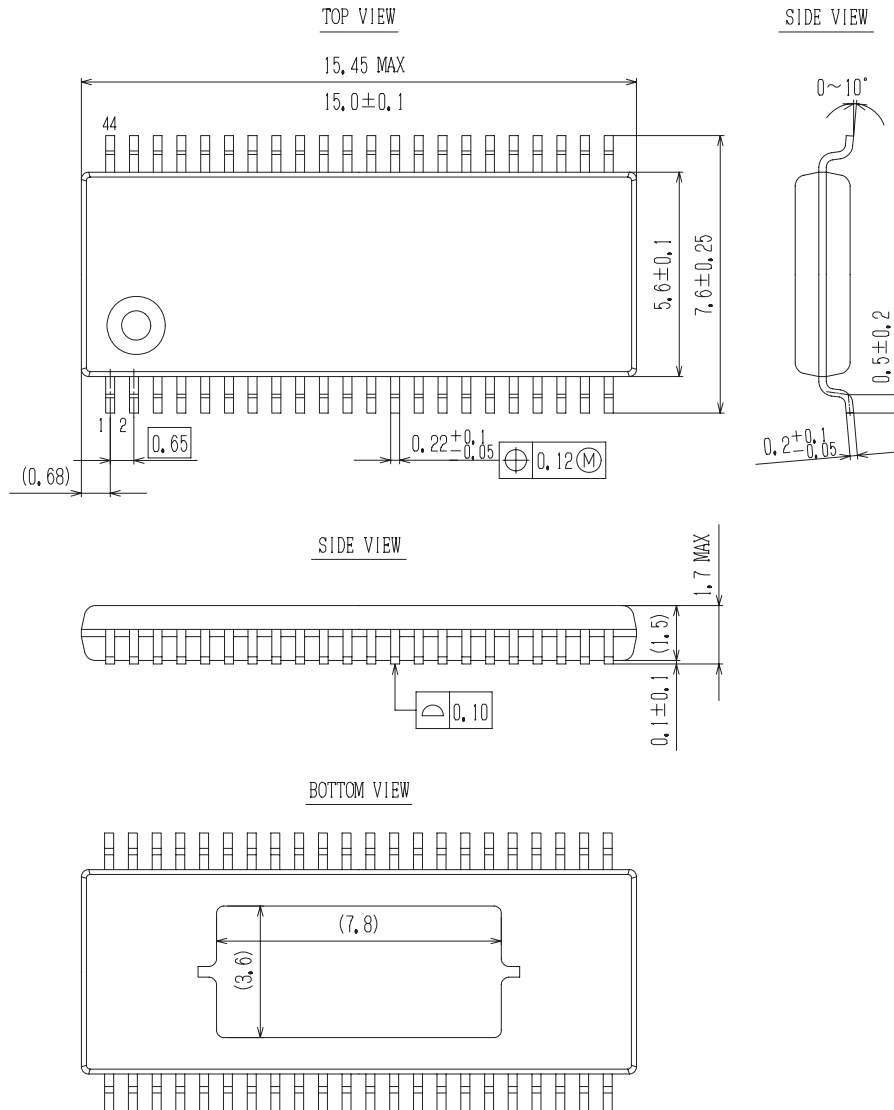
Input	Output		Mode
	LOUT1	LOUT2	
LIN			
L	L	H	Reverse
M (or OPEN)	L	L	Brake
H	H	L	Forward

LB11899J

PACKAGE DIMENSIONS

unit : mm

SSOP44J (275mil) Exposed Pad
CASE 940AG
ISSUE 0





ORDERING INFORMATION

Device	Package	Shipping (Qty / Packing)
LB11899J-MPB-E	SSOP44J (275mil) (Pb-Free)	30 / Fan-Fold
LB11899J-TRM-E	SSOP44J (275mil) (Pb-Free)	2000 / Tape & Reel

ON Semiconductor and the ON logo are registered trademarks of Semiconductor Components Industries, LLC (SCILLC). SCILLC owns the rights to a number of patents, trademarks, copyrights, trade secrets, and other intellectual property. A listing of SCILLC's product/patent coverage may be accessed at www.onsemi.com/site/pdf/Patent-Marking.pdf. SCILLC reserves the right to make changes without further notice to any products herein. SCILLC makes no warranty, representation or guarantee regarding the suitability of its products for any particular purpose, nor does SCILLC assume any liability arising out of the application or use of any product or circuit, and specifically disclaims any and all liability, including without limitation special, consequential or incidental damages. "Typical" parameters which may be provided in SCILLC data sheets and/or specifications can and do vary in different applications and actual performance may vary over time. All operating parameters, including "Typicals" must be validated for each customer application by customer's technical experts. SCILLC does not convey any license under its patent rights nor the rights of others. SCILLC products are not designed, intended, or authorized for use as components in systems intended for surgical implant into the body, or other applications intended to support or sustain life, or for any other application in which the failure of the SCILLC product could create a situation where personal injury or death may occur. Should Buyer purchase or use SCILLC products for any such unintended or unauthorized application, Buyer shall indemnify and hold SCILLC and its officers, employees, subsidiaries, affiliates, and distributors harmless against all claims, costs, damages, and expenses, and reasonable attorney fees arising out of, directly or indirectly, any claim of personal injury or death associated with such unintended or unauthorized use, even if such claim alleges that SCILLC was negligent regarding the design or manufacture of the part. SCILLC is an Equal Opportunity/Affirmative Action Employer. This literature is subject to all applicable copyright laws and is not for resale in any manner.

Looking for pricing, stock, or lifecycle information?

Click below to explore more details on WIN SOURCE:

-  [View LB11899J-MPB-E on WIN SOURCE](#)
-  [ON Semiconductor](#) Information

Optimize Your Supply Chain with WIN SOURCE Solutions

-  Global Sourcing Solution
-  Obsolete Management
-  Cost Control Management
-  Shortage Management
-  Alternative Solution
-  Excess Inventory Management