

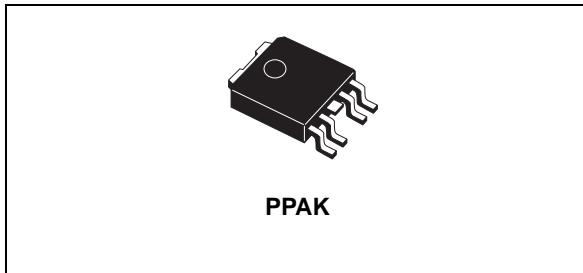


**THE DATASHEET OF  
LD49300PT10R**



## 3 A very low-dropout voltage regulator

Datasheet - production data



### Applications

- Graphics processors
- PC add-in cards
- Microprocessor core voltage supply
- Low voltage digital ICs
- High efficiency linear power supplies
- SMPS post regulators

### Features

- Input voltage range:
  - $V_I = 1.4 \text{ V to } 5.5 \text{ V}$
  - $V_{BIAS} = 3 \text{ V to } 6 \text{ V}$
- Stable with ceramic capacitors
- $\pm 1.5\%$  initial tolerance
- Maximum dropout voltage ( $V_I - V_O$ ) 400 mV over the operating temperature range
- Adjustable output voltage starting from 0.8 V
- Very fast transient response (up to 10 MHz bandwidth)
- Excellent line and load regulation specifications
- Logic-controlled shutdown option
- Thermal shutdown and current limit protection
- Junction temperature range:  $- 25 \text{ }^\circ\text{C to } 125 \text{ }^\circ\text{C}$

### Description

The LD49300 is a high-bandwidth, low-dropout, 3.0 A voltage regulator, ideal for powering core voltages of low power microprocessors. The LD49300 implements a dual supply configuration, which guarantees a very low output impedance and a fast transient response. The LD49300 requires a bias input supply and a main input supply, allowing ultra-low input voltages on the main supply rail. The input supply operates from 1.4 V to 5.5 V and bias supply requires between 3 V and 6 V to work properly. The LD49300 offers fixed output voltages from 0.8 V to 1.8 V and adjustable output voltages from 0.8 V. The LD49300 requires a minimum output capacitance for stability, and works optimally with small ceramic capacitors.

**Table 1. Device summary**

Order codes	Package	Packaging
LD49300PT08R <sup>(1)</sup>	PPAK (tape and reel)	2500 pieces per reel
LD49300PT10R	PPAK (tape and reel)	2500 pieces per reel
LD49300PT12R	PPAK (tape and reel)	2500 pieces per reel

1. Adjustable version.

# Contents

<b>1</b>	<b>Typical application circuits</b> .....	<b>3</b>
<b>2</b>	<b>Alternative application circuits</b> .....	<b>4</b>
<b>3</b>	<b>Pin configuration</b> .....	<b>5</b>
<b>4</b>	<b>Diagram</b> .....	<b>6</b>
<b>5</b>	<b>Maximum ratings</b> .....	<b>7</b>
<b>6</b>	<b>Electrical characteristics</b> .....	<b>8</b>
<b>7</b>	<b>Typical characteristics</b> .....	<b>9</b>
<b>8</b>	<b>Application hints</b> .....	<b>13</b>
	8.1 Input supply voltage (VIN) .....	13
	8.2 Bias supply voltage (VBIAS) .....	13
	8.3 External capacitors .....	13
	8.4 Output capacitor .....	13
	8.5 Minimum load current .....	13
	8.6 Power sequencing recommendations .....	14
	8.7 Power dissipation/heatsinking .....	14
	8.8 PPAK package heatsinking .....	15
	8.9 Adjustable regulator design .....	15
	8.10 Enable .....	16
<b>9</b>	<b>Package mechanical data</b> .....	<b>17</b>
<b>10</b>	<b>Packaging mechanical data</b> .....	<b>20</b>
<b>11</b>	<b>Revision history</b> .....	<b>22</b>

# 1 Typical application circuits

Figure 1. Adjustable version

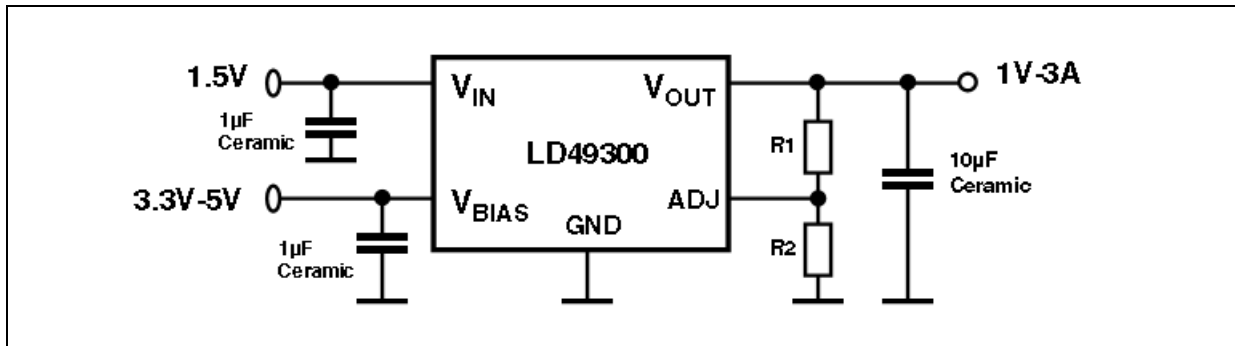
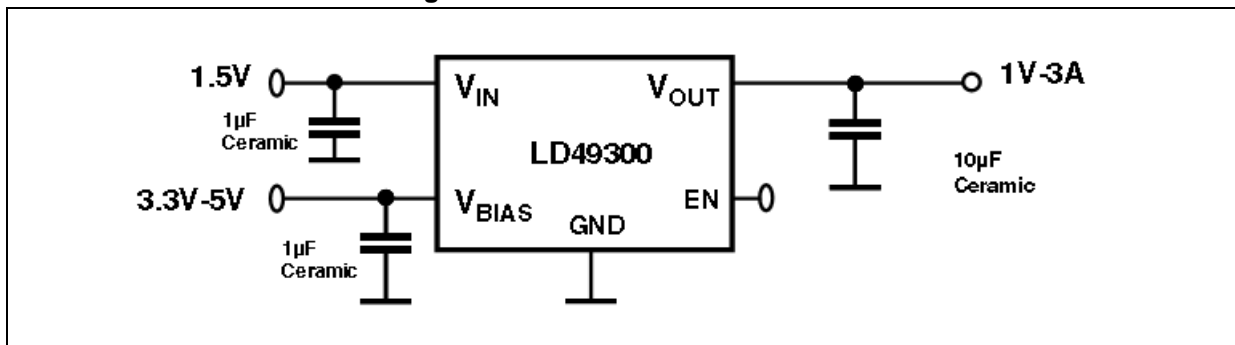


Figure 2. Fixed version with enable



## 2 Alternative application circuits

Figure 3. Single supply voltage solution

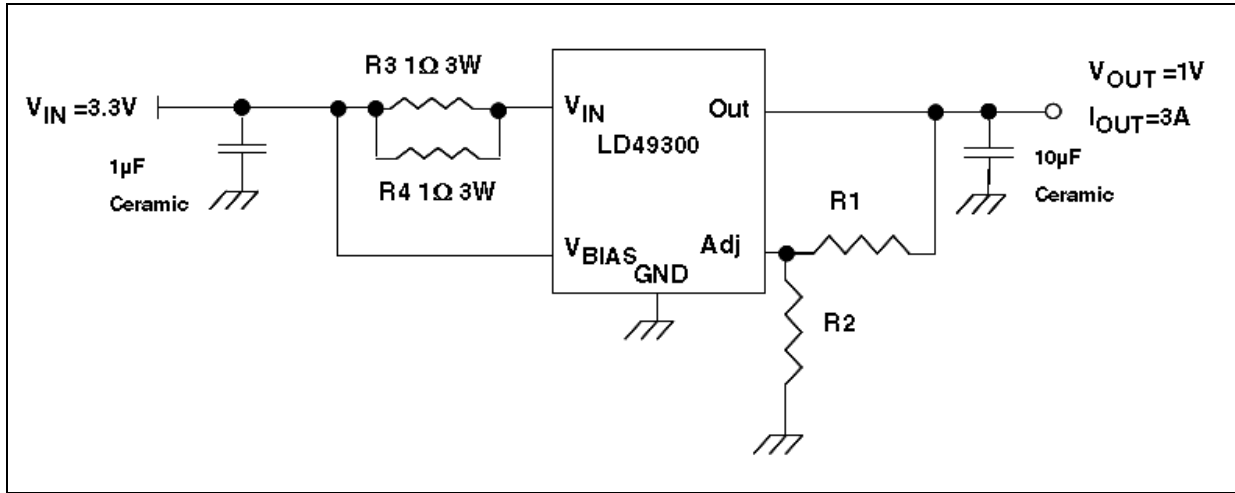
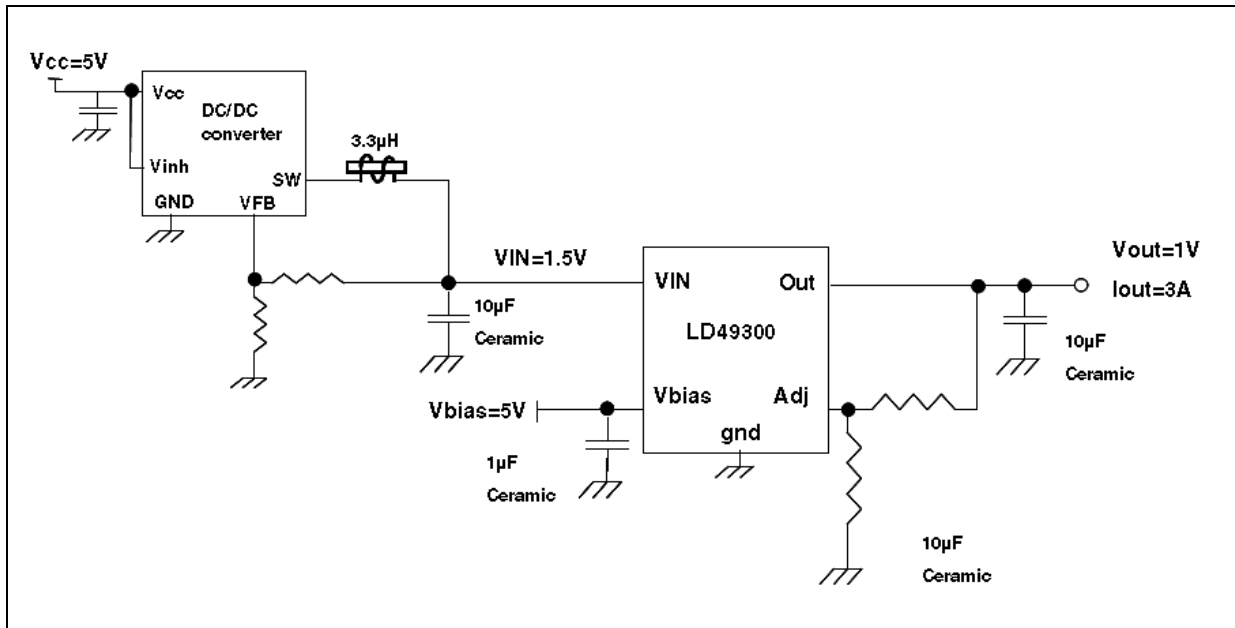


Figure 4. LD49300 and DC-DC pre-regulator to reduce power dissipation



### 3 Pin configuration

Figure 5. Pin connection (top view)

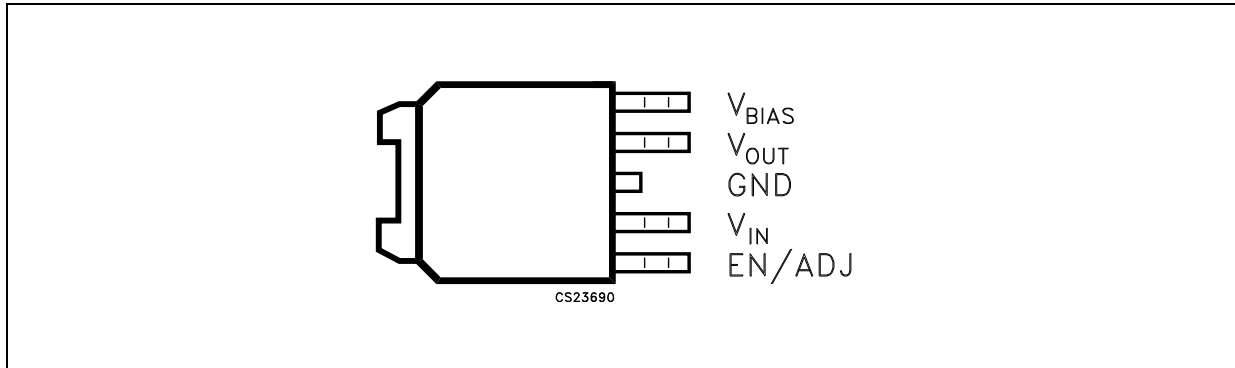
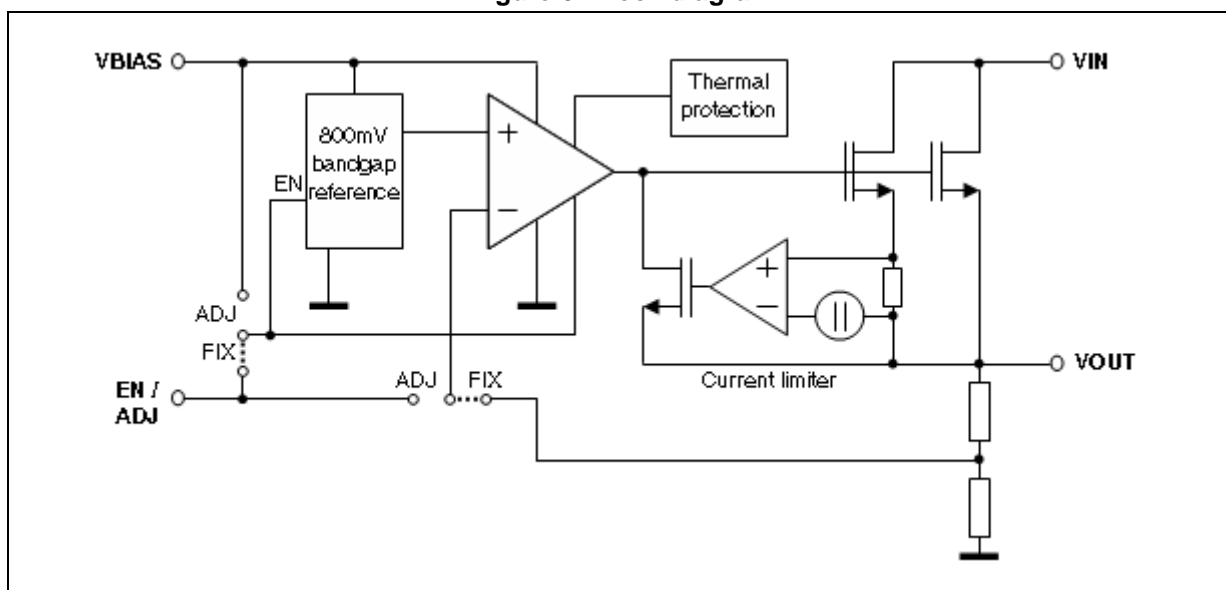


Table 2. Pin description

Pin	Symbol	Note
1	EN	Enable (input): logic high = enable, logic low = shutdown
	ADJ	Adjustable regulator feedback input connected to resistor voltage divider
2	$V_{IN}$	Input voltage regulator
3	GND	Ground (tab is connected to ground)
4	$V_{OUT}$	Regulator output
5	$V_{BIAS}$	Input bias voltage powers the circuitry on the regulator except the output power device

## 4 Diagram

Figure 6. Block diagram



## 5 Maximum ratings

**Table 3. Absolute maximum ratings**

Symbol	Parameter	Value	Unit
$V_{IN}$	Supply voltage	-0.3 to 7	V
$V_{OUT}$	Output voltage	-0.3 to $V_{IN} + 0.3$ -0.3 to $V_{BIAS} + 0.3$	V
$V_{BIAS}$	Bias supply voltage	-0.3 to 7	V
$V_{EN}$	Enable input voltage	-0.3 to 7	V
$P_D$	Power dissipation	Internally limited	
$T_{STG}$	Storage temperature range	-50 to 150	°C

*Note:* Absolute maximum ratings are those values beyond which damage to the device may occur. Functional operation under these conditions is not implied.  
All values are referred to ground.

**Table 4. Operating ratings**

Symbol	Parameter	Value	Unit
$V_{IN}$	Supply voltage	1.4 to 5.5	V
$V_{OUT}$	Output voltage	0.8 to 4.5	V
$V_{BIAS}$	Bias supply voltage	3 to 6	V
$V_{EN}$	Enable input voltage	0 to $V_{BIAS}$	V
$T_J$	Junction temperature range	- 25 to 125	°C

## 6 Electrical characteristics

$T_J = -25\text{ °C}$  to  $125\text{ °C}$ ;  $V_{BIAS} = V_O + 2.1\text{ V}^{(1)}$ ;  $V_I = V_O + 1\text{ V}$ ;  $V_{EN} = V_{BIAS}^{(2)}$ ;  $I_O = 10\text{ mA}$ ;  $C_I = 1\text{ }\mu\text{F}$ ;  $C_O = 10\text{ }\mu\text{F}$ ;  $C_{BIAS} = 1\text{ }\mu\text{F}$ ; unless otherwise specified. Typical values are referred to  $T_J = 25\text{ °C}$ .

**Table 5. Electrical characteristics**

Symbol	Parameter	Test conditions	Min.	Typ.	Max.	Unit
$V_O$	Output voltage accuracy	$T_J = 25\text{ °C}$ , fixed voltage option	-1.5		1.5	%
		$T_J = -25\text{ °C}$ to $125\text{ °C}$	-3		3	
$V_{LINE}$	Line regulation	$V_I = V_O + 1\text{ V}$ to $5.5\text{ V}$	-0.1		0.1	%/V
$V_{LOAD}$	Load regulation	$I_L = 0\text{ mA}$ to $3\text{ A}$ , $V_{BIAS} \geq 3\text{ V}$			1	%
$V_{DROP}$	Dropout voltage ( $V_I - V_O$ )	$I_L = 1.5\text{ A}$			200	mV
		$I_L = 3\text{ A}$			400	
$V_{DROP}$	Dropout voltage ( $V_{BIAS} - V_O$ )	$I_L = 3\text{ A}^{(1)}$		1.5	2.1	V
$I_{GND}$	Ground pin current	$I_L = 0\text{ mA}$		4	6	mA
		$I_L = 3\text{ A}$		4	6	
$I_{GND\_SHD}$	Ground pin current in shutdown	$V_{EN} \leq 0.4\text{ V}^{(2)}$			5	$\mu\text{A}$
$I_{VBIAS}$	Current through $V_{BIAS}$	$I_L = 0\text{ mA}$		3	5	mA
		$I_L = 3\text{ A}$		3	5	
$I_L$	Current limit	$V_O = 0\text{ V}$	4.5			A
<b>Enable input<sup>(2)</sup></b>						
$V_{EN}$	Enable input threshold (fixed voltage only)	Regulator enable	1.4			V
		Regulator shutdown			0.4	
$I_{EN}$	Enable pin input current			0.1	1	$\mu\text{A}$
<b>Reference</b>						
$V_{REF}$	Reference voltage	$T_J = 25\text{ °C}$	0.788	0.8	0.812	V
		$T_J = -25\text{ °C}$ to $125\text{ °C}$	0.776	0.8	0.824	
SVR	Supply voltage rejection	$V_I = 2.5\text{ V} \pm 0.5\text{ V}$ , $V_O = 1\text{ V}$ $F = 120\text{ Hz}$ , $V_{BIAS} = 3.3\text{ V}$		68		dB

1. For  $V_O \leq 1\text{ V}$ ,  $V_{BIAS}$  dropout specification is not applied due to  $3\text{ V}$  minimum  $V_{BIAS}$  input.

2. Fixed output voltage version only.

# 7 Typical characteristics

Figure 7. Reference voltage vs. temperature

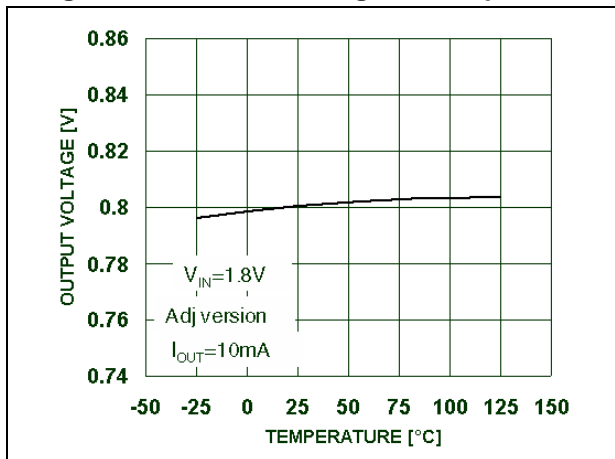


Figure 8. Output voltage vs. temperature

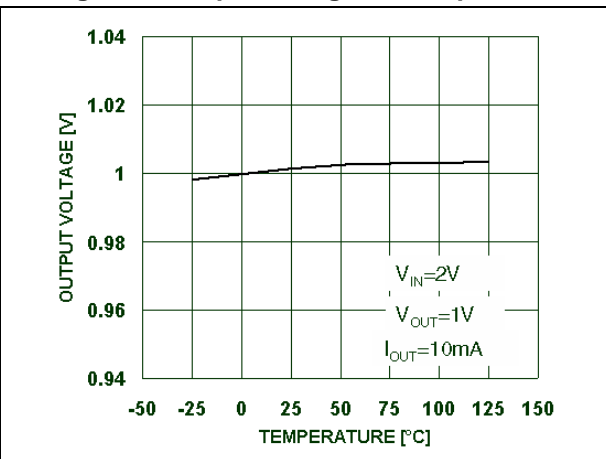


Figure 9. Load regulation vs. temperature

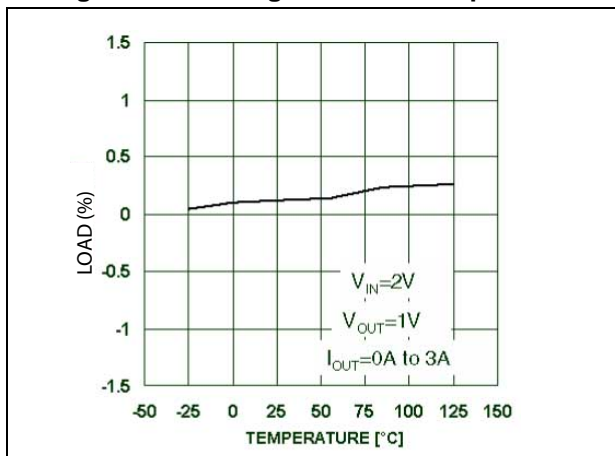


Figure 10. Line regulation vs. temperature

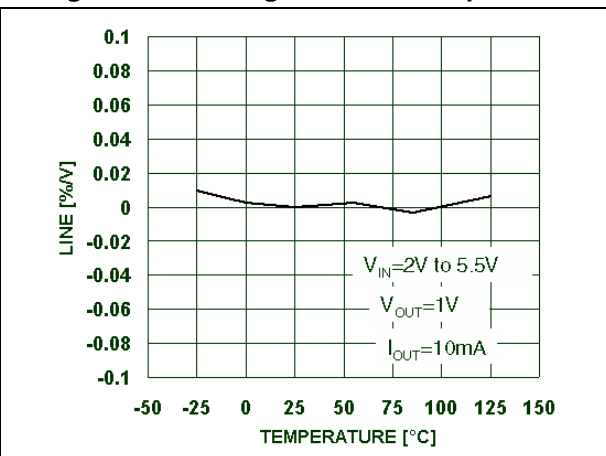


Figure 11. Output voltage vs. input voltage

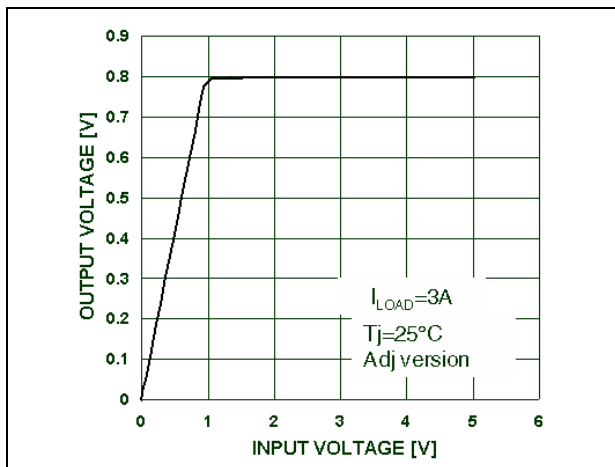


Figure 12. Dropout voltage (VIN-VOUT) vs. temperature (IOUT = 1.5 A)

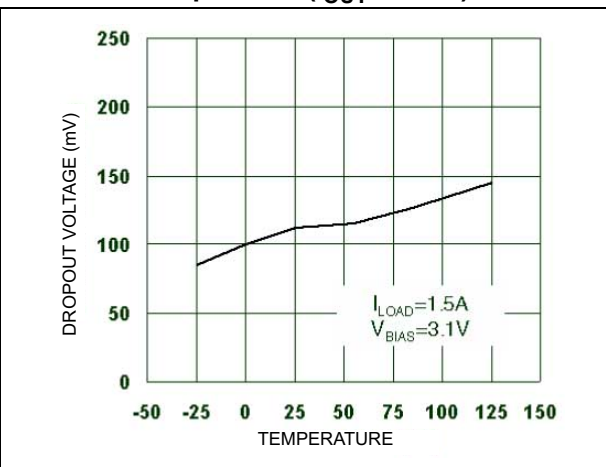


Figure 13. Dropout voltage ( $V_{IN}-V_{OUT}$ ) vs. temperature ( $I_{OUT} = 3\text{ A}$ )

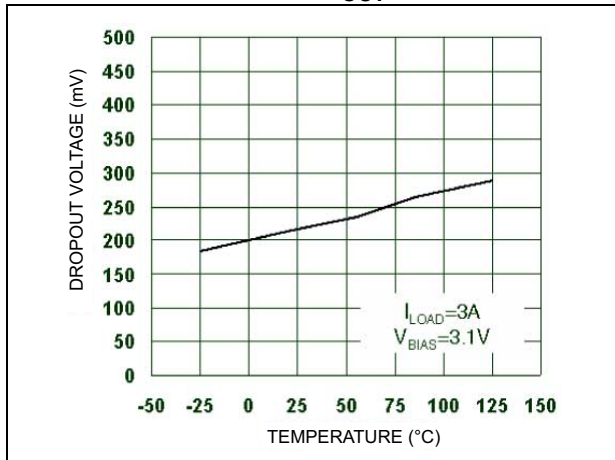


Figure 14.  $V_{BIAS}$  pin current vs. temperature

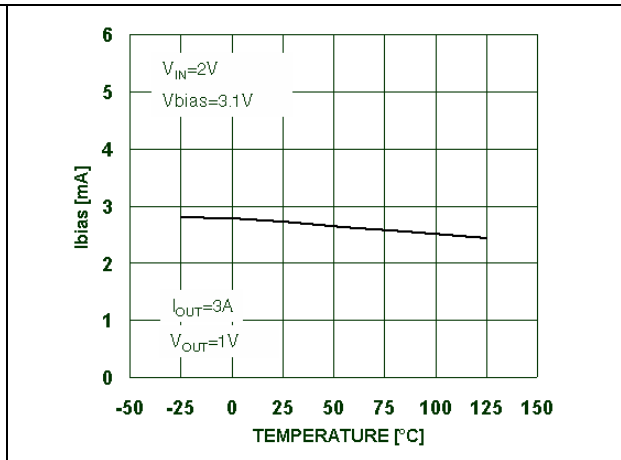


Figure 15. Noise vs. frequency

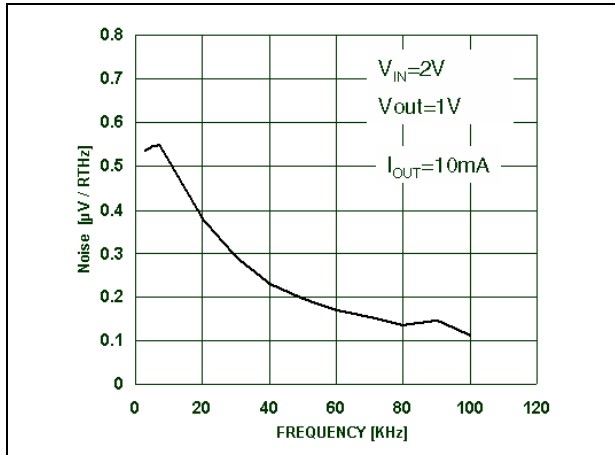


Figure 16. Quiescent current vs. temperature

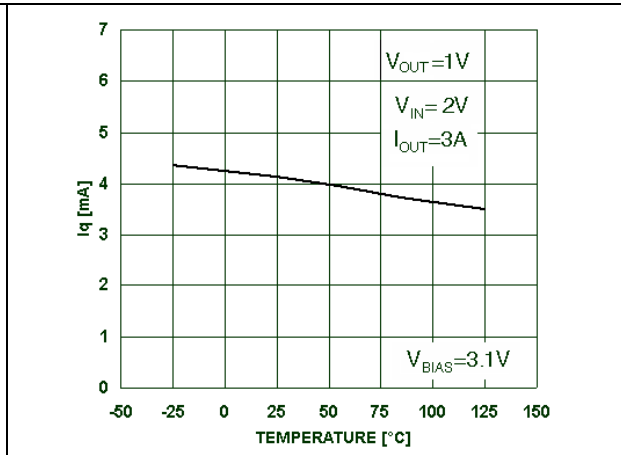


Figure 17. Supply voltage rejection vs. output current

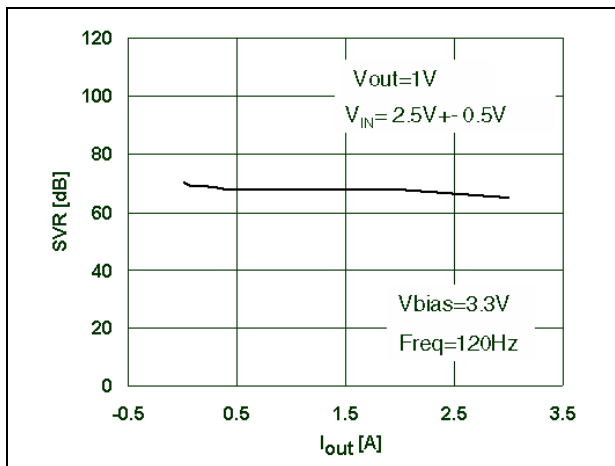


Figure 18. Stable region vs.  $C_{OUT}$  and high ESR

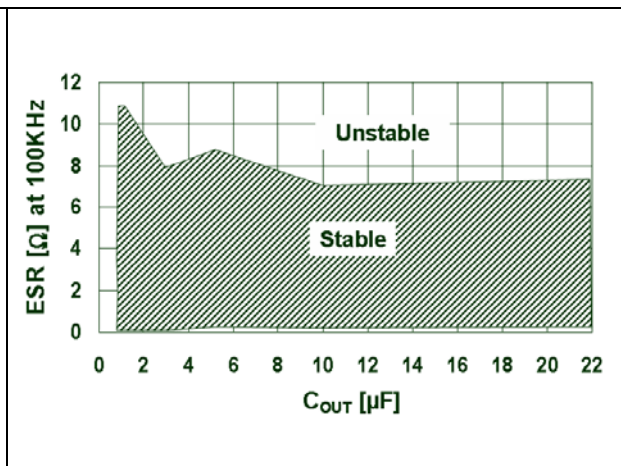


Figure 19. Stable region vs.  $C_{OUT}$  and low ESR

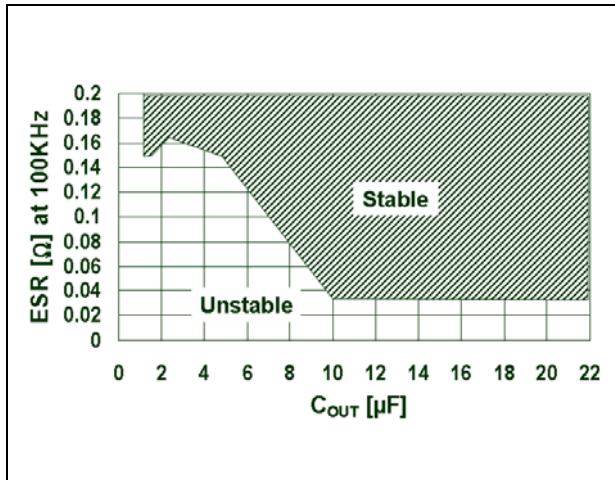


Figure 20.  $V_{BIAS}$  and  $V_{IN}$  start-up transient response ( $V_{IN}$  and  $V_{BIAS}$  startup at the same time)

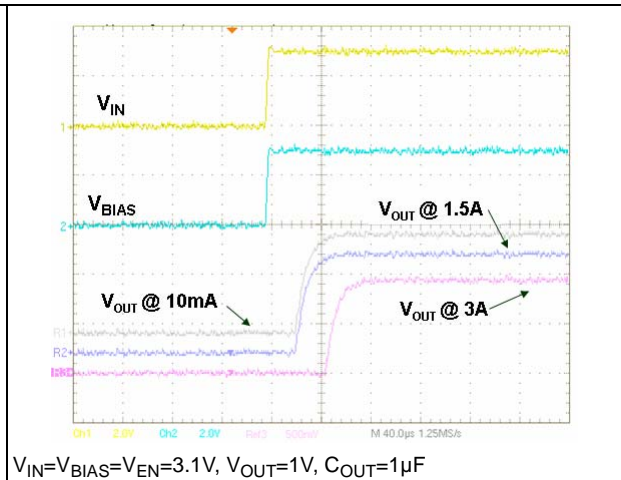


Figure 21.  $V_{IN}$  start-up transient response ( $V_{BIAS}$  startup before than  $V_{IN}$ )  $T_{rise} = 300 \mu s$

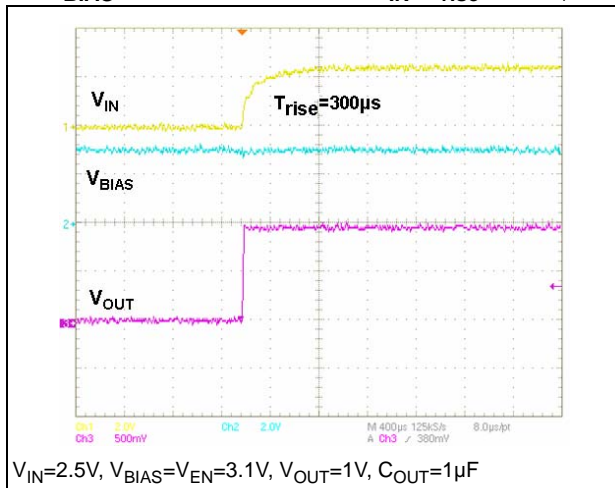


Figure 22.  $V_{IN}$  start-up transient response ( $V_{BIAS}$  startup before than  $V_{IN}$ )  $T_{rise} = 30 \mu s$

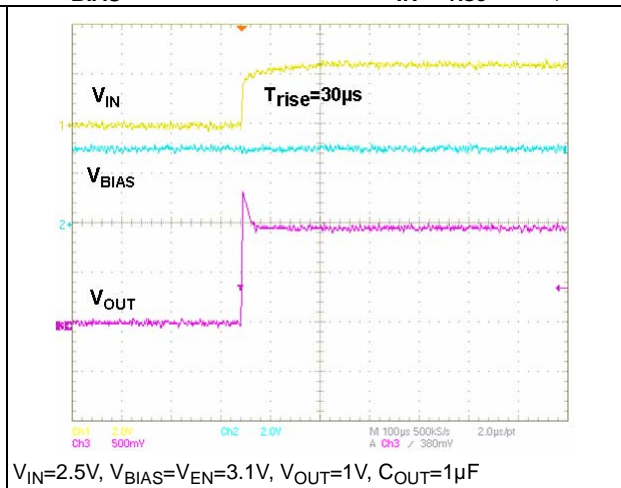


Figure 23.  $V_{IN}$  start-up transient response ( $V_{BIAS}$  startup before than  $V_{IN}$  and  $V_{EN} = V_{IN}$ )

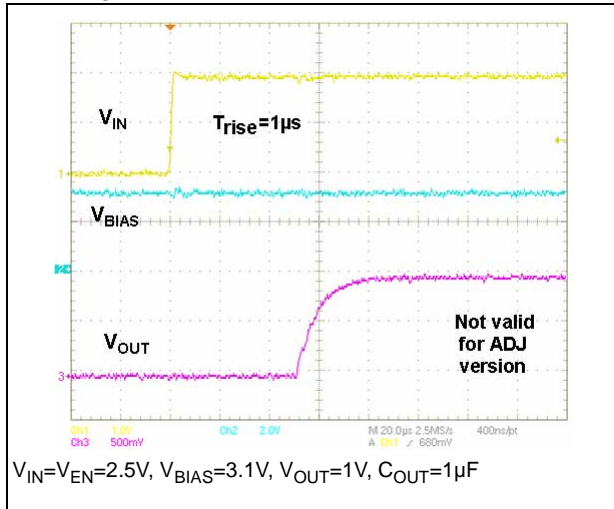
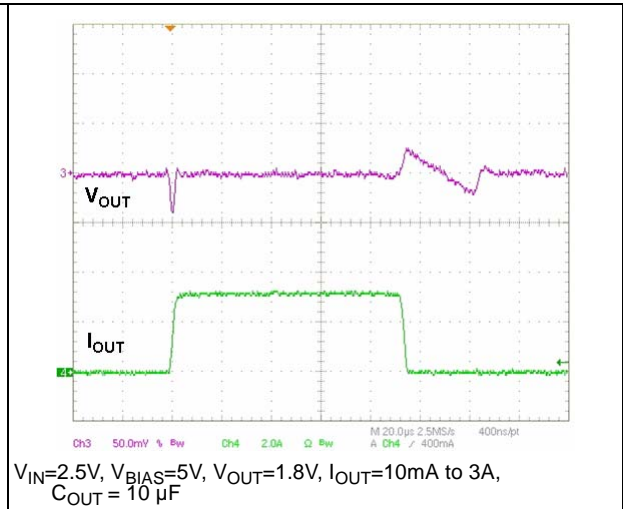


Figure 24. Load transient response



## 8 Application hints

The LD49300 is a low-dropout linear regulator, designed for high-current applications requiring a fast transient response. The LD49150 has separate input and bias voltage ports, in order to reduce dropout voltage. Thanks to the LD49300, a minimum quantity of external components is required.

### 8.1 Input supply voltage ( $V_{IN}$ )

$V_{IN}$  provides the LD49300 with power input current. The minimum input voltage can be as low as 1.4 V, allowing conversion from very low voltage supplies to achieve low output voltage levels and low power dissipation.

### 8.2 Bias supply voltage ( $V_{BIAS}$ )

The LD49300 control circuitry is supplied by  $V_{BIAS}$  pin, which requires a very low bias current (3 mA typ.) even at the maximum output current level (3 A). A bypass capacitor on  $V_{BIAS}$  pin improves the LD49300 performance during line and load transient. The small ceramic capacitor from  $V_{BIAS}$  to ground reduces high frequency noise that could be injected into the control circuitry. In typical applications, one ceramic chip capacitor of 1  $\mu$ F may be used.  $V_{BIAS}$  input voltage has to be 2.1 V above the output voltage, with a minimum  $V_{BIAS}$  input voltage of 3 V.

### 8.3 External capacitors

To assure regulator stability, input and output capacitors are required as shown in the typical application circuit.

### 8.4 Output capacitor

The LD49300 requires a minimum output capacitance to maintain stability. At least 1  $\mu$ F ceramic chip capacitor is required. However, specific capacitor selection assures the transient response. 1  $\mu$ F ceramic chip capacitor satisfies most applications but 10  $\mu$ F capacitor guarantees a better transient performance. In applications where  $V_{IN}$  level is close to the maximum operating voltage ( $V_{IN} > 4$  V), a 10  $\mu$ F minimum output capacitor avoids the overvoltage stress on the input/output power pins during short-circuit conditions due to parasitic inductive effect. The output capacitor has to be as closer as possible to the LD49300 output pin. ESR output capacitor (equivalent series resistance) has to be within the stable region as shown in [Section 7: Typical characteristics](#). Both ceramic and tantalum capacitors are suitable.

### 8.5 Minimum load current

The LD49300 does not require a minimum load to maintain the output voltage regulation.

## 8.6 Power sequencing recommendations

To assure the correct biasing and settling of the regulator internal circuitry during the start-up phase, as well as to avoid overvoltage spikes on the output, the correct power sequencing has to be provided.

As general rule,  $V_{IN}$  and  $V_{EN}$  signal timings should be chosen properly, so that they are applied to the device after  $V_{BIAS}$  voltage has already been settled on its minimum operative value (see [Section 8.2: Bias supply voltage \(VBIAS\)](#)). This can be achieved, for instance, by avoiding too slow  $V_{BIAS}$  rising edges ( $T_r > 10$  ms).

Provided that the above condition is satisfied, when fast  $V_{IN}$  transient input ( $T_r < 100$   $\mu$ s) is present, a smooth startup, with limited overvoltage on the output, can be achieved simultaneously by  $V_{IN}$  and  $V_{BIAS}$  voltage (refer to [Figure 20](#), [Figure 21](#) and [Figure 22](#)).

In the fixed voltage version, overvoltage spikes can be reduced during very fast startup ( $T_r \ll 100$   $\mu$ s) by pulling  $V_{EN}$  pin up to  $V_{IN}$  voltage (see [Figure 23](#)).

## 8.7 Power dissipation/heatsinking

In relation to the maximum power dissipation and maximum ambient temperature of the application, a heatsink may be required. Junction temperature has to be within the specified range under operating conditions. The total power dissipation of the device is given by:

### Equation 1

$$P_D = V_{IN} \times I_{IN} + V_{BIAS} \times I_{BIAS} - V_{OUT} \times I_{OUT}$$

where:

- $V_{IN}$  = input supply voltage
- $V_{BIAS}$  = bias supply voltage
- $V_{OUT}$  = output voltage
- $I_{OUT}$  = load current

The required  $\theta_{SA}$  thermal resistance for the heatsink is given by the following formula:

### Equation 2

$$\theta_{SA} = (T_J - T_A/P_D) - (\theta_{JC} + \theta_{CS})$$

$T_{Rmax}$ , the maximum allowed temperature rise depends on  $T_{Amax}$ , the maximum ambient temperature of the application, and  $T_{Jmax}$ , the maximum allowable junction temperature:

### Equation 3

$$T_{Rmax} = T_{Jmax} - T_{Amax}$$

The maximum allowable value for junction-to-ambient thermal resistance,  $\theta_{JA}$ , can be calculated as follows:

### Equation 4

$$\theta_{JAmax} = T_{Rmax} / P_D$$

For PPAK package only.

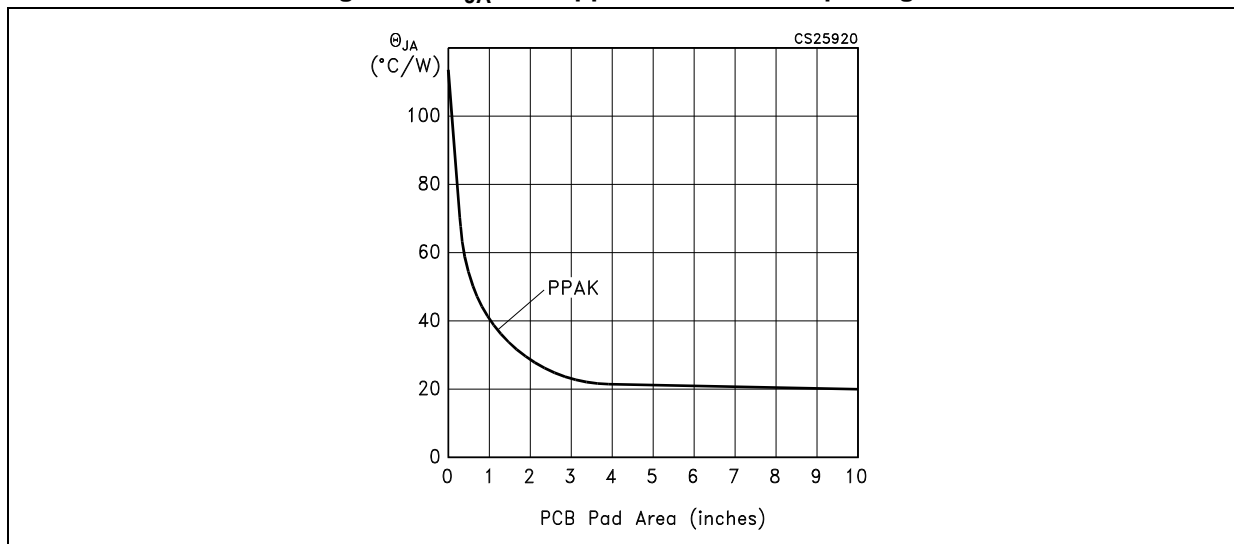
The thermal resistance depends on the amount of copper area or heatsink, and on the air flow. If  $\theta_{JA}$  maximum allowable value is  $\geq 100$  °C/W for PPAK package, no heatsink is needed since the package can dissipate enough heat to satisfy these requirements. If the value for allowable  $\theta_{JA}$  falls below these limits, a heatsink is required as described below.

## 8.8 PPAK package heatsinking

PPAK package uses the copper plane on the PCB as a heatsink. The tab of this package is soldered to the copper plane for heatsinking. The PCB ground plane can be used as a heatsink. This area can be the inner GND layer of a multi-layer PCB, or, in a dual-layer PCB, it can be the unbroken GND area on the bottom layer thermally connected to the tab through-via holes.

Figure 25 shows  $\theta_{JA}$  curve for PPAK package for different copper area sizes, using a typical PCB: thickness 1/16 G10 FR4.

Figure 25.  $\theta_{JA}$  vs. copper area for PPAK package



## 8.9 Adjustable regulator design

The LD49300 adjustable version allows the output voltage to be fixed anywhere between 0.8 V and 4.5 V using two resistors as shown in the typical application circuit. For example, to fix R1 resistor value between  $V_{OUT}$  and ADJ pin, the resistor value between ADJ and GND (R2) is calculated as follows:

### Equation 5

$$R2 = R1 [0.8 / (V_{OUT} - 0.8)]$$

where  $V_{OUT}$  is the desired output voltage.

R1 values should be lower than 10 k $\Omega$  to obtain a better load transient performance. Higher values up to 100 k $\Omega$  are suitable.

## 8.10 Enable

The LD49300 fixed output voltage version features an active high enable input (EN) that allows the on-off control of the regulator. EN input threshold is guaranteed between 0.4 V and 1.4 V. The regulator is in shutdown mode when  $V_{EN} < 0.4$  V and it is in operating mode ( $V_{OUT}$  activated) when  $V_{EN} > 1.4$  V. If it is not in use, EN pin has to be tied directly to  $V_{IN}$  to keep the regulator continuously activated. EN pin has not to be left with high impedance.

## 9 Package mechanical data

In order to meet environmental requirements, ST offers these devices in different grades of ECOPACK<sup>®</sup> packages, depending on their level of environmental compliance. ECOPACK<sup>®</sup> specifications, grade definitions and product status are available at: [www.st.com](http://www.st.com). ECOPACK<sup>®</sup> is an ST trademark.

Figure 26. PPAK drawing

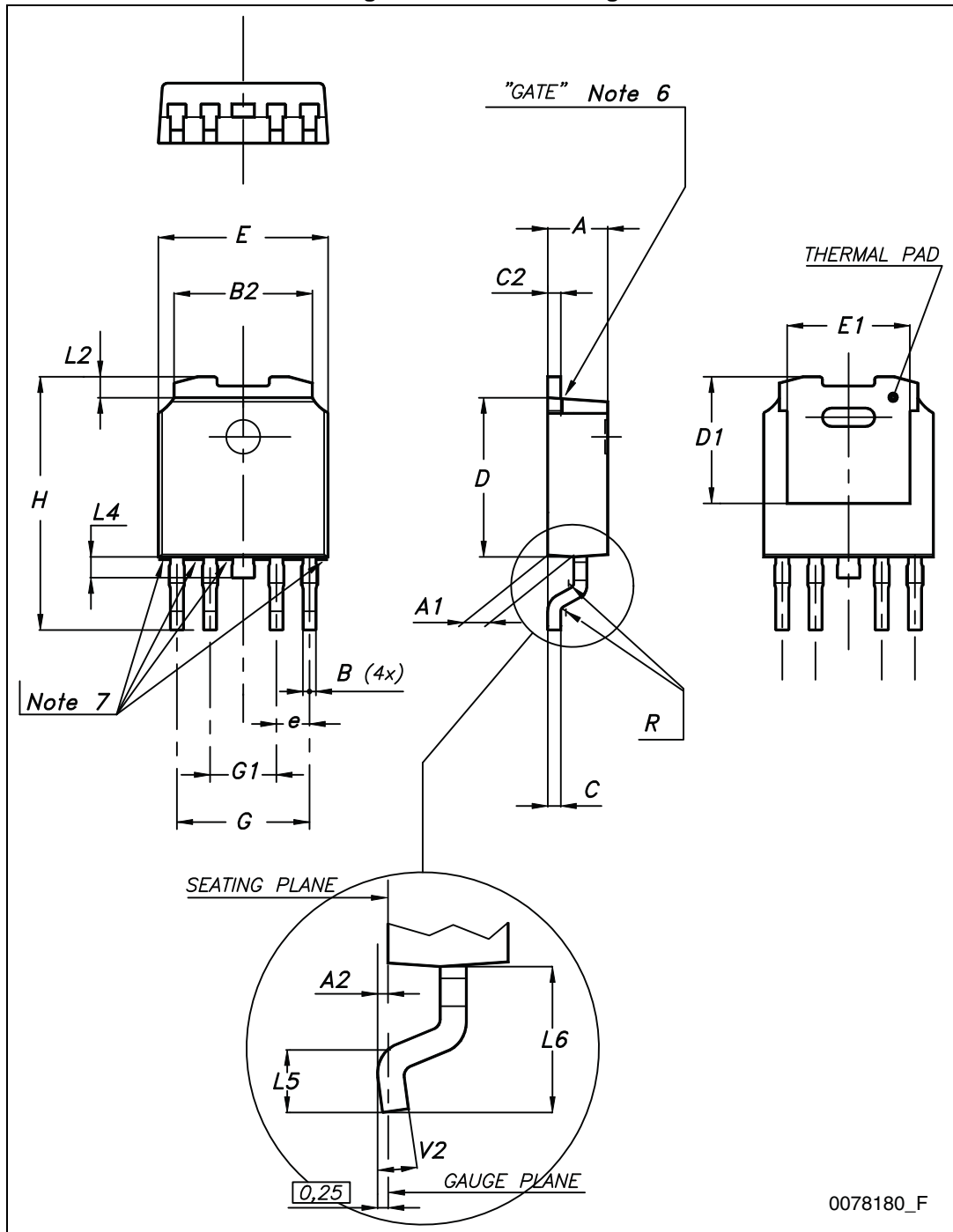


Table 6. PPAK mechanical data

Dim.	mm		
	Min.	Typ.	Max.
A	2.2		2.4
A1	0.9		1.1
A2	0.03		0.23
B	0.4		0.6
B2	5.2		5.4
C	0.45		0.6
C2	0.48		0.6
D	6		6.2
D1		5.1	
E	6.4		6.6
E1		4.7	
e		1.27	
G	4.9		5.25
G1	2.38		2.7
H	9.35		10.1
L2		0.8	1
L4	0.6		1
L5	1		
L6		2.8	
R		0.20	
V2	0°		8°

# 10 Packaging mechanical data

Figure 27. PPAK tape

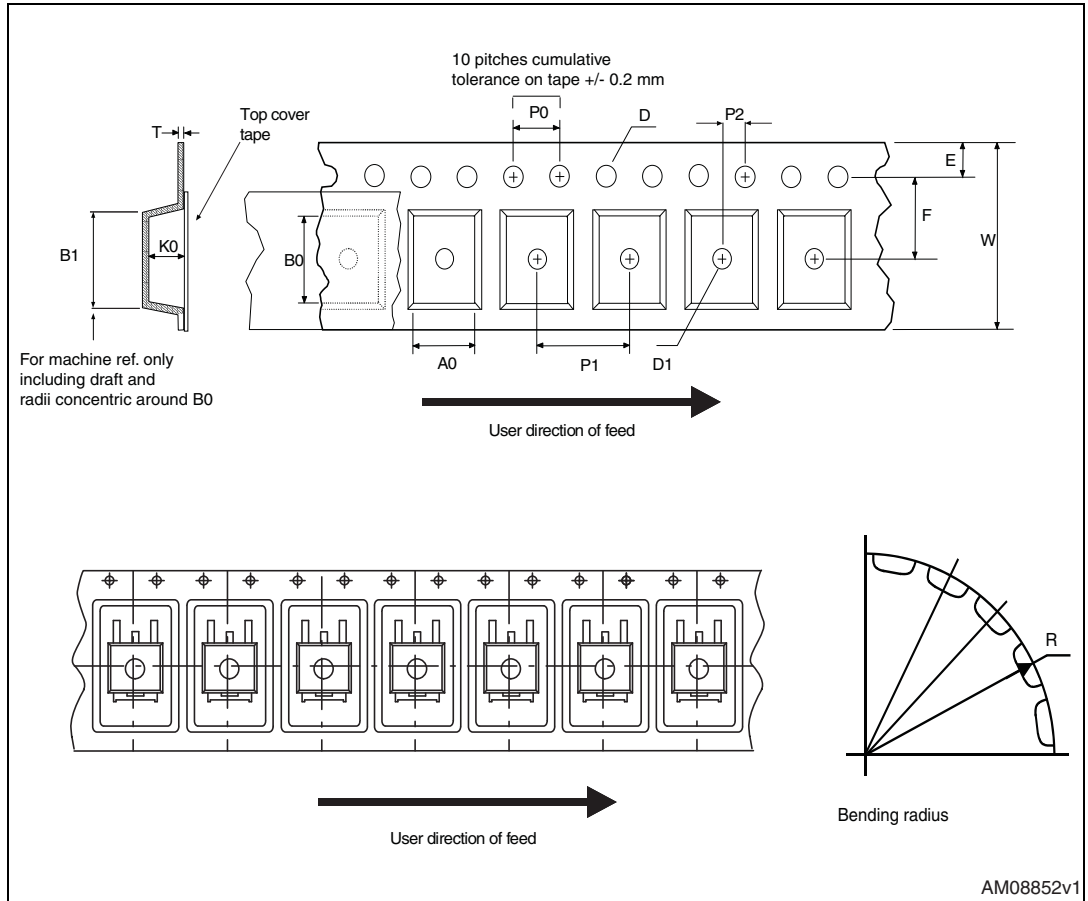


Figure 28. PPAK reel

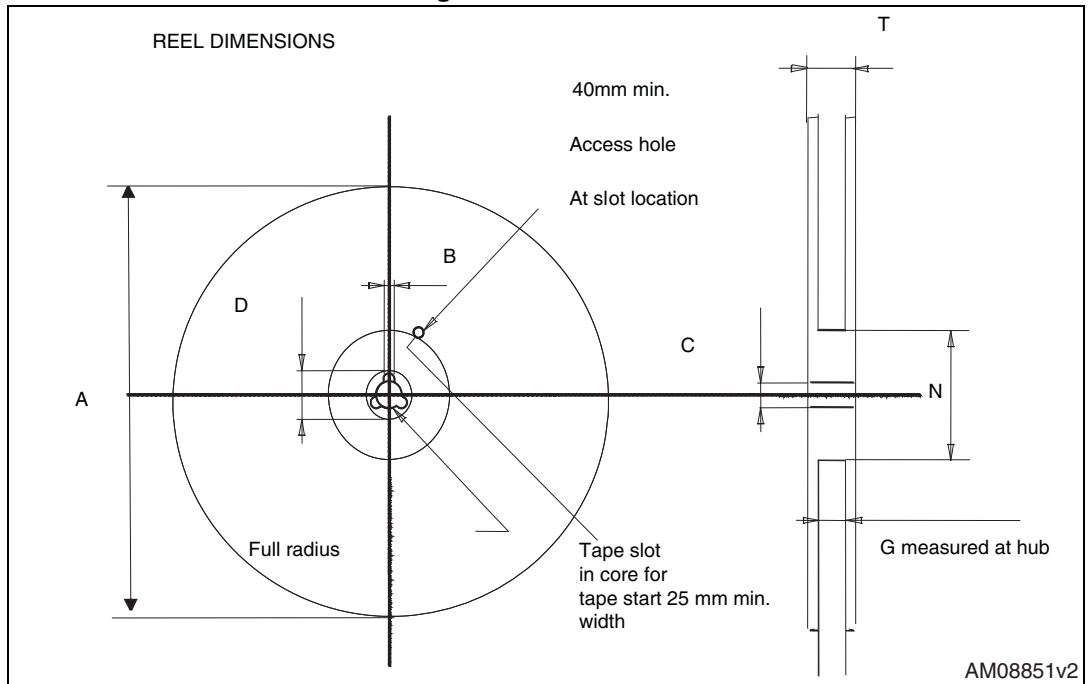


Table 7. PPAK tape and reel mechanical data

Tape			Reel		
Dim.	mm		Dim.	mm	
	Min.	Max.		Min.	Max.
A0	6.8	7	A		330
B0	10.4	10.6	B	1.5	
B1		12.1	C	12.8	13.2
D	1.5	1.6	D	20.2	
D1	1.5		G	16.4	18.4
E	1.65	1.85	N	50	
F	7.4	7.6	T		22.4
K0	2.55	2.75			
P0	3.9	4.1	Base qty.		2500
P1	7.9	8.1	Bulk qty.		2500
P2	1.9	2.1			
R	40				
T	0.25	0.35			
W	15.7	16.3			

# 11 Revision history

**Table 8. Document revision history**

Date	Revision	Changes
20-Nov-2006	1	Initial release.
01-Dec-2006	2	Add note in cover page.
29-Jun-2010	3	Modified <a href="#">Section 8.6: Power sequencing recommendations on page 14</a> .
26-May-2014	4	Changed the part numbers LD49300xx08, LD49300xx10 and LD49300xx12 to LD49300. Changed the title. Updated the description in cover page and <a href="#">Section 9: Package mechanical data</a> . Added <a href="#">Section 10: Packaging mechanical data</a> . Minor text changes.

**Please Read Carefully:**

Information in this document is provided solely in connection with ST products. STMicroelectronics NV and its subsidiaries ("ST") reserve the right to make changes, corrections, modifications or improvements, to this document, and the products and services described herein at any time, without notice.

All ST products are sold pursuant to ST's terms and conditions of sale.

Purchasers are solely responsible for the choice, selection and use of the ST products and services described herein, and ST assumes no liability whatsoever relating to the choice, selection or use of the ST products and services described herein.

No license, express or implied, by estoppel or otherwise, to any intellectual property rights is granted under this document. If any part of this document refers to any third party products or services it shall not be deemed a license grant by ST for the use of such third party products or services, or any intellectual property contained therein or considered as a warranty covering the use in any manner whatsoever of such third party products or services or any intellectual property contained therein.

**UNLESS OTHERWISE SET FORTH IN ST'S TERMS AND CONDITIONS OF SALE ST DISCLAIMS ANY EXPRESS OR IMPLIED WARRANTY WITH RESPECT TO THE USE AND/OR SALE OF ST PRODUCTS INCLUDING WITHOUT LIMITATION IMPLIED WARRANTIES OF MERCHANTABILITY, FITNESS FOR A PARTICULAR PURPOSE (AND THEIR EQUIVALENTS UNDER THE LAWS OF ANY JURISDICTION), OR INFRINGEMENT OF ANY PATENT, COPYRIGHT OR OTHER INTELLECTUAL PROPERTY RIGHT.**

**ST PRODUCTS ARE NOT DESIGNED OR AUTHORIZED FOR USE IN: (A) SAFETY CRITICAL APPLICATIONS SUCH AS LIFE SUPPORTING, ACTIVE IMPLANTED DEVICES OR SYSTEMS WITH PRODUCT FUNCTIONAL SAFETY REQUIREMENTS; (B) AERONAUTIC APPLICATIONS; (C) AUTOMOTIVE APPLICATIONS OR ENVIRONMENTS, AND/OR (D) AEROSPACE APPLICATIONS OR ENVIRONMENTS. WHERE ST PRODUCTS ARE NOT DESIGNED FOR SUCH USE, THE PURCHASER SHALL USE PRODUCTS AT PURCHASER'S SOLE RISK, EVEN IF ST HAS BEEN INFORMED IN WRITING OF SUCH USAGE, UNLESS A PRODUCT IS EXPRESSLY DESIGNATED BY ST AS BEING INTENDED FOR "AUTOMOTIVE, AUTOMOTIVE SAFETY OR MEDICAL" INDUSTRY DOMAINS ACCORDING TO ST PRODUCT DESIGN SPECIFICATIONS. PRODUCTS FORMALLY ESCC, QML OR JAN QUALIFIED ARE DEEMED SUITABLE FOR USE IN AEROSPACE BY THE CORRESPONDING GOVERNMENTAL AGENCY.**

Resale of ST products with provisions different from the statements and/or technical features set forth in this document shall immediately void any warranty granted by ST for the ST product or service described herein and shall not create or extend in any manner whatsoever, any liability of ST.

ST and the ST logo are trademarks or registered trademarks of ST in various countries.

Information in this document supersedes and replaces all information previously supplied.

The ST logo is a registered trademark of STMicroelectronics. All other names are the property of their respective owners.

© 2014 STMicroelectronics - All rights reserved

STMicroelectronics group of companies



Australia - Belgium - Brazil - Canada - China - Czech Republic - Finland - France - Germany - Hong Kong - India - Israel - Italy - Japan - Malaysia - Malta - Morocco - Philippines - Singapore - Spain - Sweden - Switzerland - United Kingdom - United States of America

[www.st.com](http://www.st.com)




## Looking for pricing, stock, or lifecycle information?

Click below to explore more details on WIN SOURCE:

-  [View LD49300PT10R](#) on WIN SOURCE
-  [STMicroelectronics](#) Information

## Optimize Your Supply Chain with WIN SOURCE Solutions

-  Global Sourcing Solution
-  Obsolete Management
-  Cost Control Management
-  Shortage Management
-  Alternative Solution
-  Excess Inventory Management