



# THE DATASHEET OF LDFPVR



# 1 A very low drop voltage regulator

Datasheet - production data



## Applications

- Computer and laptop
- Battery-powered equipments
- Industrial and medical equipment
- Consumer and set-top box

## Description

The LDF is a fast, very low drop linear regulator which operates from an input supply voltage in the range of 2.6 V to 16 V.

It is available in fixed and adjustable output voltage versions, from 0.8 V to 12 V.

The LDF features are: high output precision, very low-dropout voltage, low noise, and low quiescent current, therefore suitable for low voltage microprocessors and memory applications.

Enable logic control pin and power-good output are featured on PPAK/DFN packages.

Current and thermal protection are provided.

## Features

- Input voltage from 2.6 to 16 V
- Very low-dropout voltage (500 mV max. at 1 A load)
- Low quiescent current (200  $\mu$ A typ. @ 1 A load)
- Available in 1% precision in PPAK and DFN6 packages, 2% in DPAK
- 1 A guaranteed output current
- Wide range of output voltages available on request: adjustable from 0.8 V, fixed up to 12 V in 100 mV steps
- Logic-controlled electronic shutdown
- Power Good (PPAK and DFN packages)
- Fast dynamic response to line and load changes
- Internal current and thermal protections
- Temperature range: -40 °C to 125 °C

**Contents**

**1 Block diagram..... 3**

**2 Pin configuration ..... 4**

**3 Typical application ..... 5**

**4 Absolute maximum ratings..... 6**

**5 Electrical characteristics ..... 7**

**6 Application information ..... 11**

    6.1 External capacitors..... 11

        6.1.1 Input capacitor ..... 11

        6.1.2 Output capacitor ..... 11

    6.2 Output voltage setting for ADJ version ..... 11

    6.3 Enable pin operation ..... 11

    6.4 Power Good ..... 11

**7 Typical characteristics ..... 12**

**8 Package information ..... 16**

    8.1 DFN6 (3x3) package information ..... 16

    8.2 DFN6 (3x3) packing information..... 18

    8.3 DFN6 (2x2) package information ..... 20

    8.4 DFN6 (2x2) packing information..... 23

    8.5 PPAK package information ..... 24

    8.6 DPAK package information ..... 26

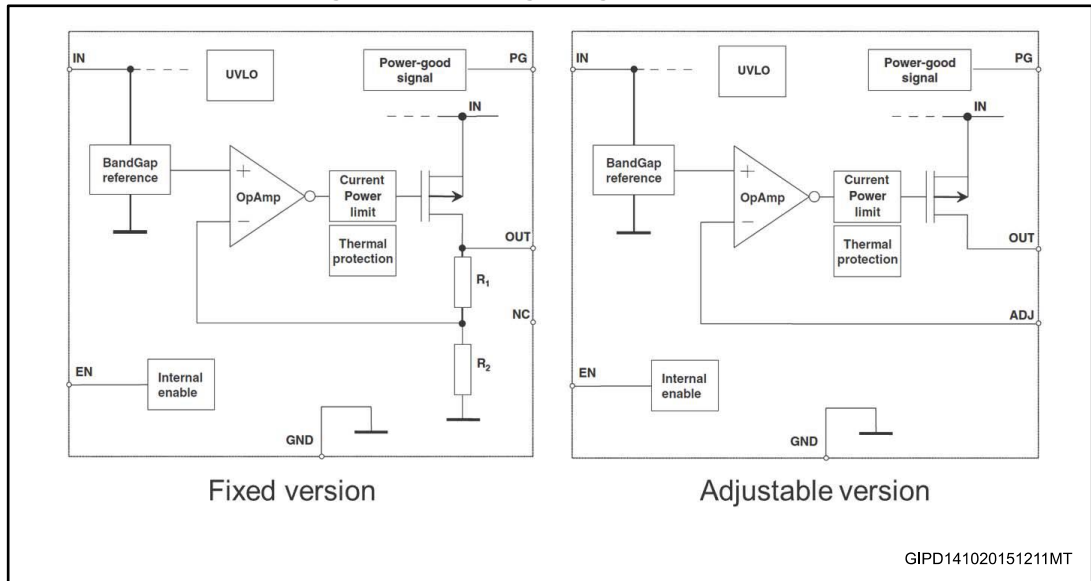
    8.7 PPAK and DPAK packing information ..... 29

**9 Ordering information..... 31**

**10 Revision history ..... 32**

# 1 Block diagram

Figure 1: Block diagram (generic version)



## 2 Pin configuration

Figure 2: Pin connection (top view)

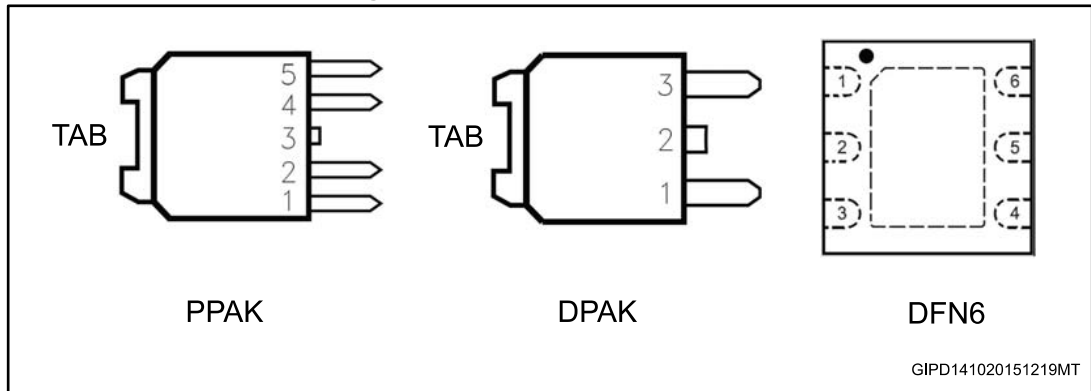


Table 1: DPAK, PPAK pin description

| Pin n° |      | Symbol           | Function  |
|--------|------|------------------|---|
| PPAK   | DPAK |                  |   |
| 5      | -    | ADJ/PG           | For adjustable versions: error amplifier input pin<br>For fixed versions: power-good output |
| 2      | 1    | V <sub>IN</sub>  | Input voltage   |
| 4      | 3    | V <sub>OUT</sub> | Output voltage  |
| 1      | -    | EN               | Enable pin logic input: low = shutdown, high = active                                       |
| 3      | 2    | GND              | Ground  |
| TAB    | TAB  | GND              | Ground  |

Table 2: DFN6-2x2 and 3x3 pin description

| Pin n°      | Symbol           | Function  |
|-------------|------------------|---|
| 2           | ADJ/NC           | For adjustable versions: error amplifier input pin<br>For fixed versions: not connected |
| 6           | V <sub>IN</sub>  | Input voltage   |
| 1           | V <sub>OUT</sub> | Output voltage  |
| 5           | EN               | Enable pin logic input: low = shutdown, high = active                                   |
| 3           | PG               | Power-good output   |
| 4           | GND              | Ground  |
| Exposed pad | GND              | Ground  |

### 3 Typical application

Figure 3: Fixed versions

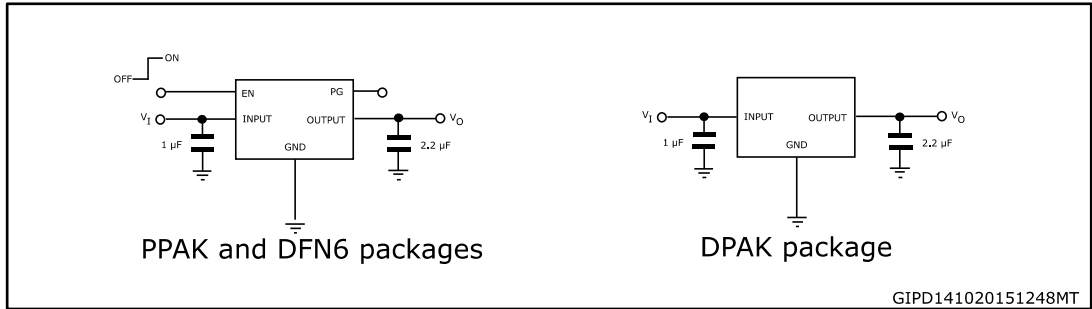
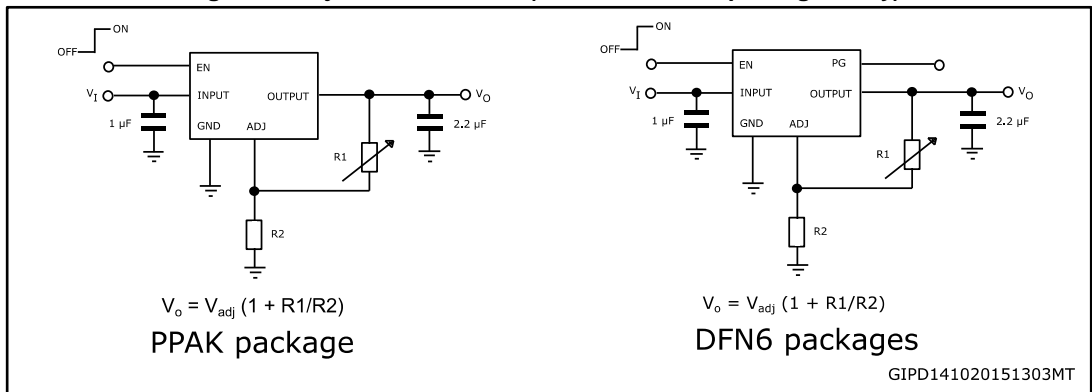


Figure 4: Adjustable versions (PPAK and DFN6 packages only)



## 4 Absolute maximum ratings

Table 3: Absolute maximum ratings

| Symbol     | Parameter                            | Value                   | Unit |
|------------|--------------------------------------|-------------------------|------|
| $V_{IN}$   | DC input voltage                     | - 0.3 to 20             | V    |
| $V_{OUT}$  | DC output voltage                    | - 0.3 to $V_{IN} + 0.3$ | V    |
| $V_{EN}$   | Enable input voltage                 | - 0.3 to $V_{IN} + 0.3$ | V    |
| $V_{ADJ}$  | ADJ pin voltage                      | -0.3 to 2               | V    |
| $V_{PG}$   | PG pin voltage                       | - 0.3 to $V_{IN} + 0.3$ | V    |
| $I_{LOAD}$ | Output current                       | Internally limited      | mA   |
| $P_D$      | Power dissipation                    | Internally limited      | mW   |
| $T_{STG}$  | Storage temperature range            | - 65 to 150             | °C   |
| $T_{OP}$   | Operating junction temperature range | - 40 to 125             | °C   |



Absolute maximum ratings are those values beyond which damage to the device may occur. Functional operation under these conditions is not implied. All values are referred to GND.

Table 4: Thermal data

| Symbol     | Parameter                           | Value |      |          |          | Unit |
|------------|-------------------------------------|-------|------|----------|----------|------|
|            |                                     | PPAK  | DPAK | DFN6-2x2 | DFN6-3x3 |      |
| $R_{thJA}$ | Thermal resistance junction-ambient | 100   | 100  | 65       | 55       | °C/W |
| $R_{thJC}$ | Thermal resistance junction-case    | 8     | 8    | 6.5      | 10       | °C/W |

## 5 Electrical characteristics

$T_J = 25\text{ °C}$ ,  $V_{IN} = V_{OUT(NOM)} + 1\text{ V}$ ,  $C_{IN} = 1\text{ }\mu\text{F}$ ,  $C_{OUT} = 2.2\text{ }\mu\text{F}$ ,  $I_{LOAD} = 10\text{ mA}$ ,  $V_{EN} = 2\text{ V}$ , unless otherwise specified.

Table 5: LDF (fixed versions) electrical characteristics

| Symbol           | Parameter                                  | Test conditions  | Min. | Typ.                 | Max. | Unit          |
|------------------|--|--|------|----------------------|------|---------------|
| $V_{IN}$         | Operating input voltage                    |  | 2.6  |                      | 16   | V             |
| $V_{OUT}$        | $V_{OUT}$ accuracy, PPAK and DFN6 versions | $V_{OUT} + 1\text{ V}^{(1)} \leq V_{IN} \leq 16\text{ V}$<br>$I_{LOAD} = 10\text{ mA}$                           | -1   |                      | 1    | %             |
|                  |  | $10\text{ mA} \leq I_{LOAD} \leq 1\text{ A}$<br>$T_J = -40\text{ to }125\text{ °C}$                              | -1.5 |                      | 1.5  | %             |
| $V_{OUT}$        | $V_{OUT}$ accuracy, DPAK version           | $V_{OUT} + 1\text{ V}^{(1)} \leq V_{IN} \leq 16\text{ V}$<br>$I_{LOAD} = 10\text{ mA}$                           | -2   |                      | 2    | %             |
|                  |  | $10\text{ mA} \leq I_{LOAD} \leq 1\text{ A}$<br>$T_J = -40\text{ to }125\text{ °C}$                              | -3   |                      | 3    | %             |
| $\Delta V_{OUT}$ | Static line regulation                     | $V_{OUT} + 1\text{ V}^{(1)} \leq V_{IN} \leq 16\text{ V}$  |      | 0.01                 |      | %V            |
|                  |  | $V_{OUT} + 1\text{ V}^{(1)} \leq V_{IN} \leq 16\text{ V}$<br>$T_J = -40\text{ to }125\text{ °C}$                 |      |                      | 0.04 |               |
| $\Delta V_{OUT}$ | Static load regulation                     | $10\text{ mA} \leq I_{LOAD} \leq 1\text{ A}$   |      | 0.2                  |      | %A            |
|                  |  | $10\text{ mA} \leq I_{LOAD} \leq 1\text{ A}$<br>$T_J = -40\text{ to }125\text{ °C}$                              |      |                      | 0.6  |               |
| $V_{DROP}$       | Dropout voltage <sup>(2)</sup>             | $I_{LOAD} = 1\text{ A}$<br>$-40\text{ °C} < T_J < 125\text{ °C}$   |      | 200                  | 500  | mV            |
| $I_q$            | Quiescent current                          | ON mode: $V_{EN} = 2\text{ V}$<br>$I_{LOAD} = 10\text{ mA to }1\text{ A}$<br>$T_J = -40\text{ to }125\text{ °C}$ |      | 200                  | 800  | $\mu\text{A}$ |
|                  |  | OFF mode: $V_{EN} = \text{GND}$ ,<br>PPAK and DFN versions   |      | 30                   |      |               |
|                  |  | OFF mode: $V_{EN} = \text{GND}$ ,<br>PPAK and DFN versions<br>$-40\text{ °C} < T_J < 125\text{ °C}$              |      |                      | 120  |               |
| $I_{SC}$         | Short-circuit current                      | $V_{IN} > 3\text{ V}$  |      | 1.5                  |      | A             |
| $V_{EN}$         | Enable input logic low                     | $V_{IN} = 2.6\text{ V to }16\text{ V}$   |      |                      | 0.8  | V             |
|                  | Enable input logic high                    | $-40\text{ °C} < T_J < 125\text{ °C}$  | 2    |                      |      |               |
| $I_{EN}$         | Enable pin input current                   | $V_{EN} = V_{IN}$  |      | 5                    | 10   | $\mu\text{A}$ |
| PG               | Power-good output threshold                | Rising edge  |      | $0.92 \cdot V_{OUT}$ |      | V             |
|                  |  | Falling edge   |      | $0.8 \cdot V_{OUT}$  |      |               |
|                  | Power-good output voltage low              | $I_{SINK} = 6\text{ mA}$<br>open drain output  |      | 0.4                  |      |               |

| Symbol     | Parameter                | Test conditions  | Min. | Typ. | Max. | Unit                               |
|------------|--------------------------|--|------|------|------|------------------------------------|
| SVR        | Supply voltage rejection | $V_{IN} = 4.5 \text{ V} \pm 0.5 V_{RIPPLE}$<br>$f = 120 \text{ Hz}$<br>$V_{OUT} = 3.3 \text{ V}$                     |      | 60   |      | dB                                 |
|            |                          | $V_{IN} = 4.5 \text{ V} \pm 0.5 V_{RIPPLE}$<br>$f = 120 \text{ Hz to } 100 \text{ kHz}$<br>$V_{OUT} = 3.3 \text{ V}$ |      | 45   |      |                                    |
| $e_N$      | Output noise voltage     | $Bw = 10 \text{ Hz to } 100 \text{ kHz}$ ,<br>$I_{LOAD} = 100 \text{ mA}$<br>$C_{OUT} = 2.2 \mu\text{F}$             |      | 45   |      | $\mu\text{V}_{RMS}$<br>/ $V_{OUT}$ |
| $T_{SHDN}$ | Thermal shutdown         |  |      | 170  |      | °C                                 |
|            | Hysteresis               |  |      | 10   |      |                                    |

**Notes:**

(1) For  $V_{OUT} < 1.6 \text{ V}$ ;  $V_{IN} = 2.6 \text{ V}$ .

(2) Dropout voltage is the input-to-output voltage difference at which the output voltage is 100 mV below its nominal value. This specification does not apply to output voltages below 1.6 V.

$T_J = 25\text{ °C}$ ,  $V_{IN} = V_{OUT(NOM)} + 1\text{ V}$ ,  $C_{IN} = 1\text{ }\mu\text{F}$ ,  $C_{OUT} = 2.2\text{ }\mu\text{F}$ ,  $I_{LOAD} = 10\text{ mA}$ ,  $V_{EN} = 2\text{ V}$ , unless otherwise specified.

**Table 6: LDF (adjustable version) electrical characteristics**

| Symbol  | Parameter                      | Test conditions  | Min. | Typ.                 | Max. | Unit          |
|---|--------------------------------|--|------|----------------------|------|---------------|
| $V_{IN}$  | Operating input voltage        |  | 2.6  |                      | 16   | V             |
| $V_{ADJ}$   | Reference voltage              | $V_{IN} = V_{OUT} + 1\text{ V}^{(1)}$  |      | 0.8                  |      | V             |
|   | Reference voltage tolerance    | $V_{OUT} + 1\text{ V}^{(1)} \leq V_{IN} \leq 16\text{ V}$<br>$I_{LOAD} = 10\text{ mA}$                           | -1   |                      | 1    | %             |
| $10\text{ mA} \leq I_{LOAD} \leq 1\text{ A}$<br>$T_J = -40\text{ to }125\text{ °C}$ |                                | -1.5   |      | 1.5                  |      |               |
| $\Delta V_{OUT}$  | Static line regulation         | $V_{OUT} + 1\text{ V}^{(1)} \leq V_{IN} \leq 16\text{ V}$  |      | 0.01                 |      | %V            |
|   |                                | $V_{OUT} + 1\text{ V}^{(1)} \leq V_{IN} \leq 16\text{ V}$<br>$T_J = -40\text{ to }125\text{ °C}$                 |      |                      | 0.04 |               |
| $\Delta V_{OUT}$  | Static load regulation         | $10\text{ mA} \leq I_{LOAD} \leq 1\text{ A}$   |      | 0.2                  |      | %A            |
|   |                                | $10\text{ mA} \leq I_{LOAD} \leq 1\text{ A}$<br>$T_J = -40\text{ to }125\text{ °C}$                              |      | 0.2                  | 0.6  |               |
| $V_{DROP}$  | Dropout voltage <sup>(2)</sup> | $V_{OUT}$ fixed to 2.5 V,<br>$I_{LOAD} = 1\text{ A}$<br>$-40\text{ °C} < T_J < 125\text{ °C}$                    |      | 200                  | 500  | mV            |
| $I_q$   | Quiescent current              | ON mode: $V_{EN} = 2\text{ V}$<br>$I_{LOAD} = 10\text{ mA to }1\text{ A}$<br>$T_J = -40\text{ to }125\text{ °C}$ |      | 200                  | 800  | $\mu\text{A}$ |
|   |                                | OFF mode: $V_{EN} = \text{GND}$<br>PPAK and DFN versions   |      | 30                   |      |               |
|   |                                | OFF mode: $V_{EN} = \text{GND}$<br>PPAK and DFN versions<br>$-40\text{ °C} < T_J < 125\text{ °C}$                |      |                      | 120  |               |
| $I_{SC}$  | Short-circuit current          | $V_{IN} > 3\text{ V}$  |      | 1.5                  |      | A             |
| $V_{EN}$  | Enable input logic low         | $V_{IN} = 2.6\text{ V to }16\text{ V}$<br>$-40\text{ °C} < T_J < 125\text{ °C}$                                  |      |                      | 0.8  | V             |
|   | Enable input logic high        |  | 2    |                      |      |               |
| $I_{EN}$  | Enable pin input current       | $V_{EN} = V_{IN}$  |      | 5                    | 10   | $\mu\text{A}$ |
| PG  | Power-good output threshold    | Rising edge  |      | $0.92 \cdot V_{ADJ}$ |      | V             |
|   |                                | Falling edge   |      | $0.8 \cdot V_{ADJ}$  |      |               |
|   | Power-good output voltage low  | $I_{SINK} = 6\text{ mA}$<br>open drain output  |      | 0.4                  |      |               |

Electrical characteristics

LDF

| Symbol            | Parameter                | Test conditions  | Min. | Typ. | Max. | Unit  |
|-------------------|--------------------------|--|------|------|------|---|
| SVR               | Supply voltage rejection | $V_{IN} = 3\text{ V} \pm 0.5\text{ V}_{\text{RIPPLE}}$<br>$f = 120\text{ Hz}$<br>$V_{OUT} = 0.8\text{ V}$                    |      | 62   |      | dB  |
|                   |                          | $V_{IN} = 3\text{ V} \pm 0.5\text{ V}_{\text{RIPPLE}}$<br>$f = 120\text{ Hz to } 100\text{ kHz}$<br>$V_{OUT} = 0.8\text{ V}$ |      | 55   |      |   |
| e <sub>N</sub>    | Output noise voltage     | $B_w = 10\text{ Hz to } 100\text{ kHz}$<br>$I_{LOAD} = 100\text{ mA}$<br>$C_{OUT} = 2.2\text{ }\mu\text{F}$                  |      | 50   |      | $\mu\text{V}_{\text{RMS}} / V_{\text{OUT}}$ |
| T <sub>SHDN</sub> | Thermal shutdown         |  |      | 170  |      | °C  |
|                   | Hysteresis               |  |      | 10   |      |   |

**Notes:**

(1) For  $V_{OUT} < 1.6\text{ V}$ ;  $V_{IN} = 2.6\text{ V}$ .

(2) Dropout voltage is the input-to-output voltage difference at which the output voltage is 100 mV below its nominal value. This specification does not apply to output voltages below 1.6 V.



## 6 Application information

### 6.1 External capacitors

The LDF voltage regulator requires external ceramic capacitors to assure the control loop stability. These capacitors must be selected to meet the requirements of minimum capacitance and equivalent series resistance (see [Figure 25: "Stability plane ADJ \(C<sub>OUT</sub>, ESR\)"](#) and [Figure 26: "Stability plane 3.3 V \(C<sub>OUT</sub>, ESR\)"](#)). Input/output capacitors should be located as close as possible to the relative pins.

#### 6.1.1 Input capacitor

An input capacitor, whose minimum value is 1 μF, must not be located farther than 0.5" from the input pin of the device and returned to a clean analog ground.

#### 6.1.2 Output capacitor

Ceramic capacitors could be used on the output, provided that they must meet the minimum amount of capacitance and E.S.R. (equivalent series resistance) value required. 2.2 μF is suggested as minimum capacitance to guarantee the stability of the regulator. Anyway, other C<sub>OUT</sub> values can be used according to the [Figure 25: "Stability plane ADJ \(C<sub>OUT</sub>, ESR\)"](#) and [Figure 26: "Stability plane 3.3 V \(C<sub>OUT</sub>, ESR\)"](#) showing the allowable ESR range as a function of the output capacitance. The output capacitor must maintain its ESR in the stable region over the full operating temperature range to assure stability. Besides, capacitor tolerance and temperature variation must be taken into account to assure the minimum amount of capacitance.

### 6.2 Output voltage setting for ADJ version

In the adjustable version, the output voltage can be set from 0.8 V up to the input voltage minus the voltage drop across the pass transistor (dropout voltage), by connecting a resistor divider between the ADJ pin and the output, thus allowing remote voltage sensing.

The resistor divider could be selected by the following equation:

$$V_{OUT} = V_{ADJ} \left( 1 + \frac{R1}{R2} \right) \quad \text{with } V_{ADJ} = 0.8 V (typ.)$$

It is recommended to use resistors with values in the range of 10 kΩ to 100 kΩ. Lower values can also be suitable, but current consumption increases.

### 6.3 Enable pin operation

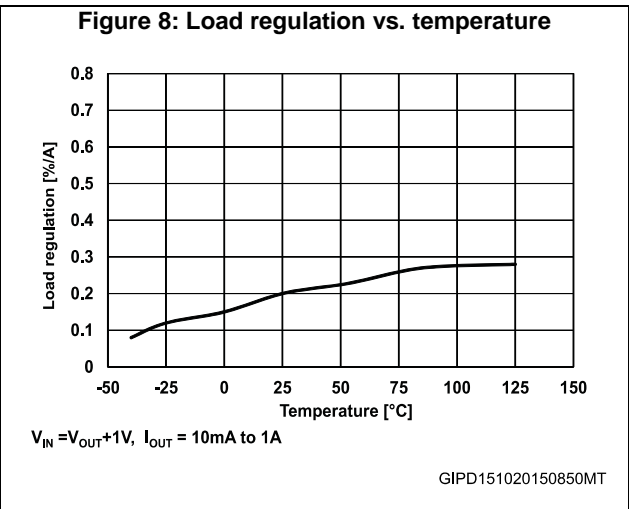
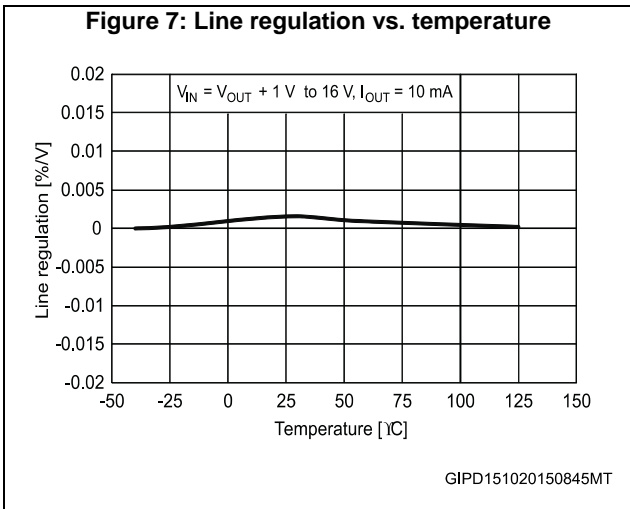
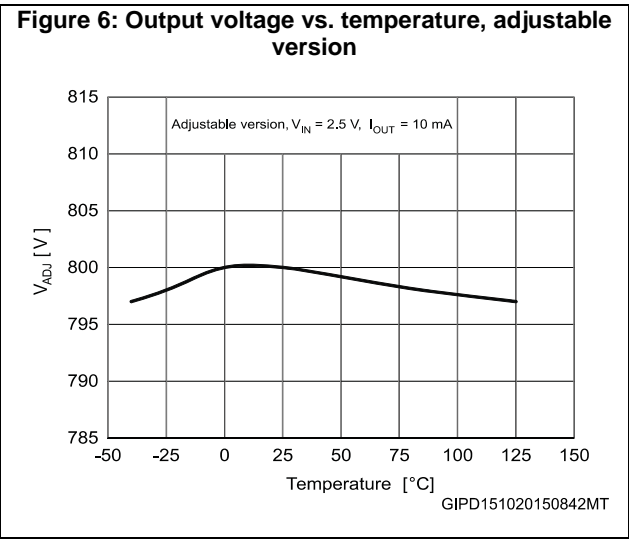
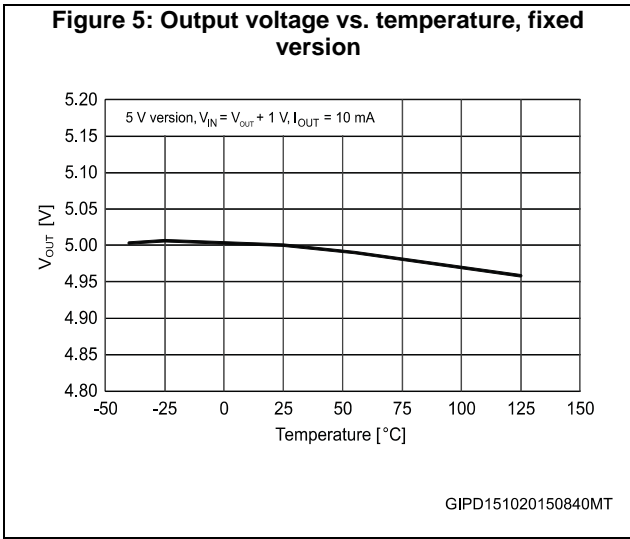
This pin can be used to turn OFF the regulator when it is pulled down, so to drastically reduce the current consumption. When the enable feature is not used, this pin must be tied to V<sub>IN</sub> to keep the regulator output in ON state every time. To assure the proper operation, the signal source, used to drive the EN pin, must be able to swing above and below the specified thresholds listed in the electrical characteristics (V<sub>EN</sub>). The EN pin must not be left floating because it is not internally pulled down/up.

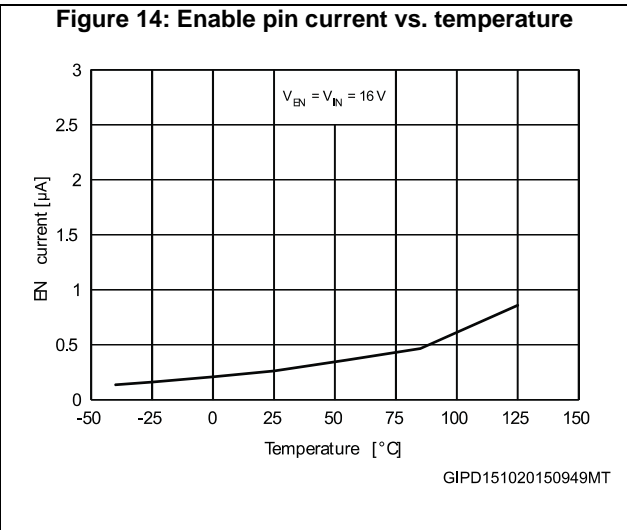
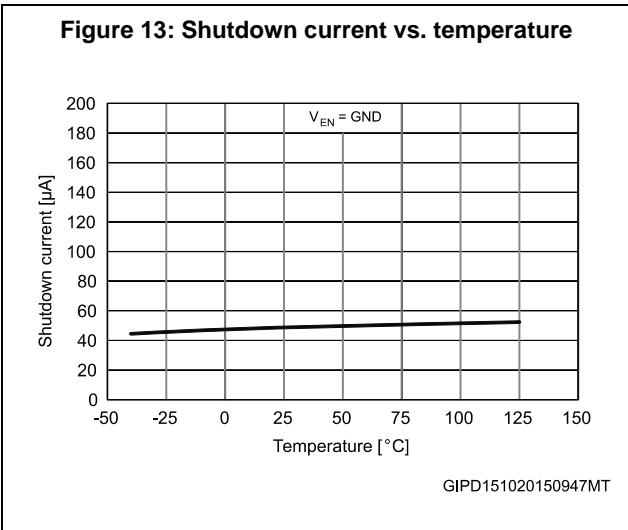
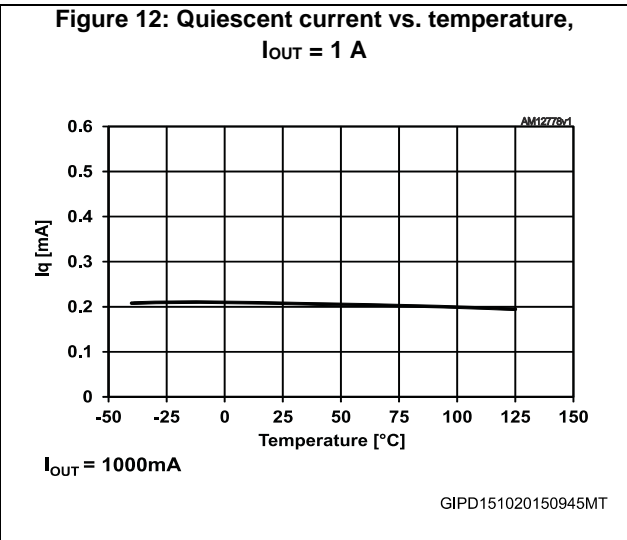
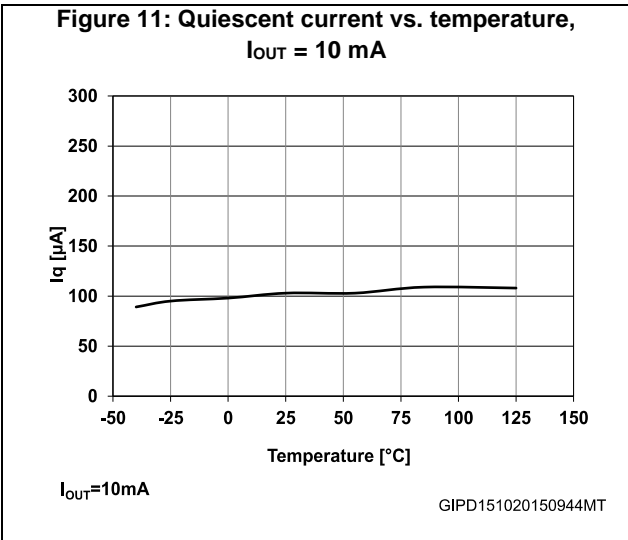
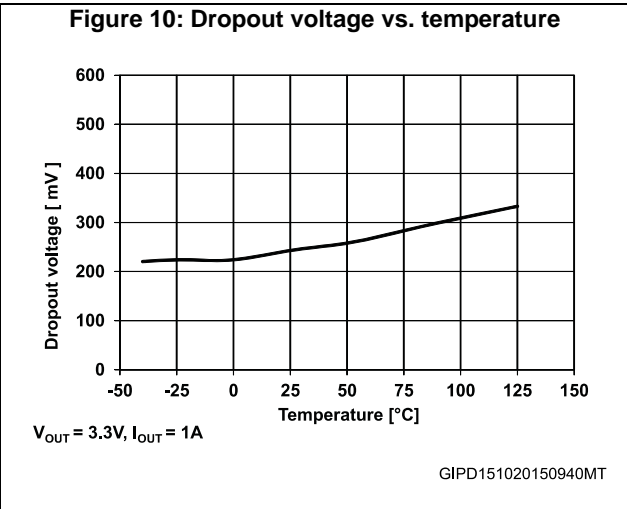
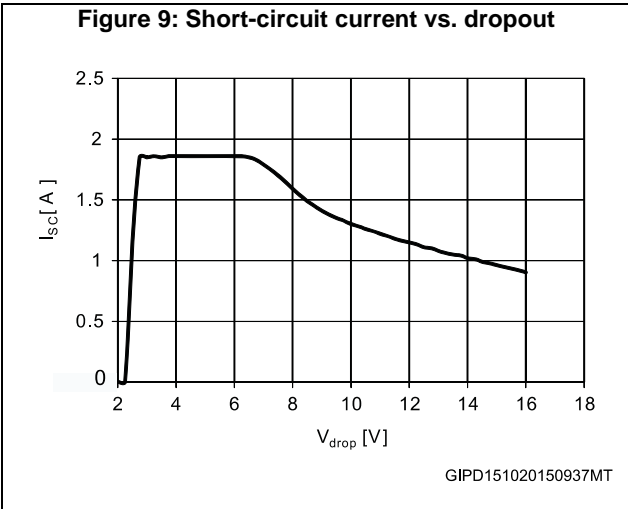
### 6.4 Power Good

The LDF features an open drain PG pin to sequence either external supplies or loads and to provide fault detection. This pin requires an external resistor (R<sub>PG</sub>) to pull Power Good high when the output is within the power-good tolerance window. Typical values for this resistor range from 10 kΩ to 100 kΩ.

# 7 Typical characteristics

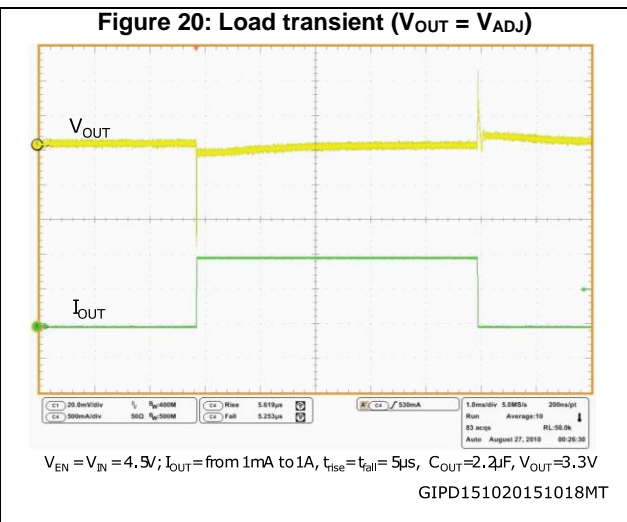
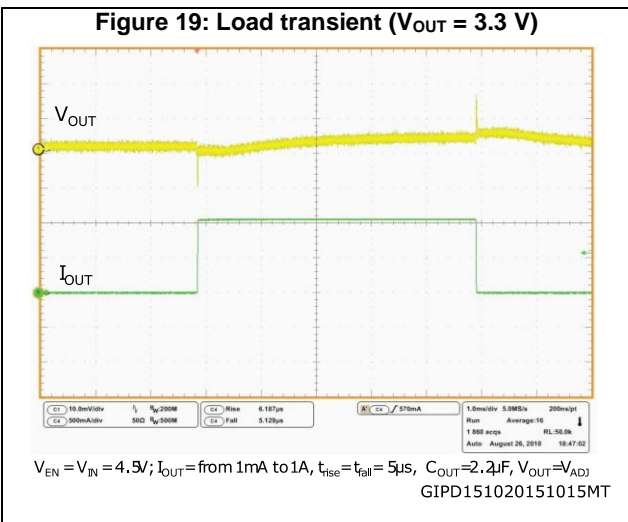
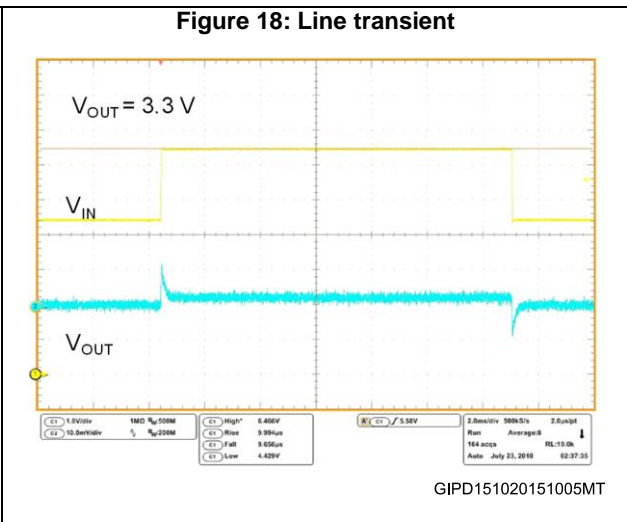
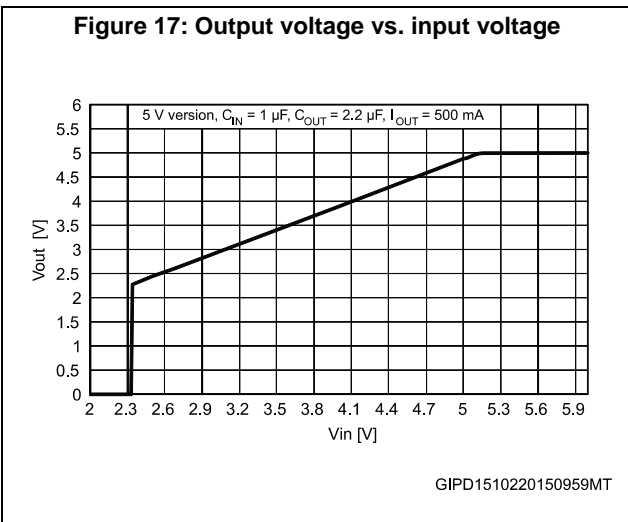
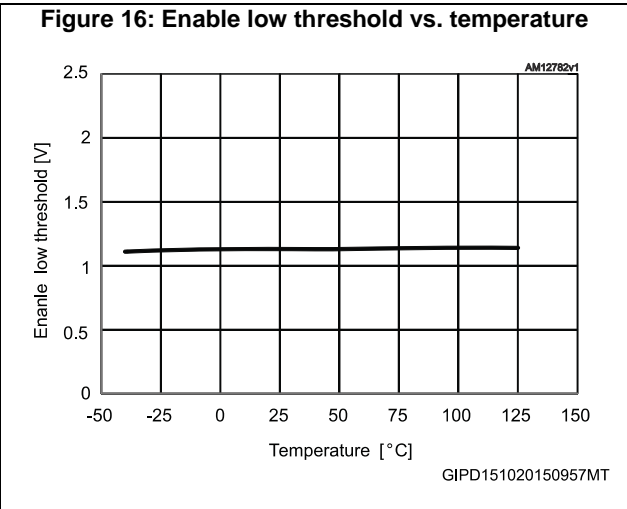
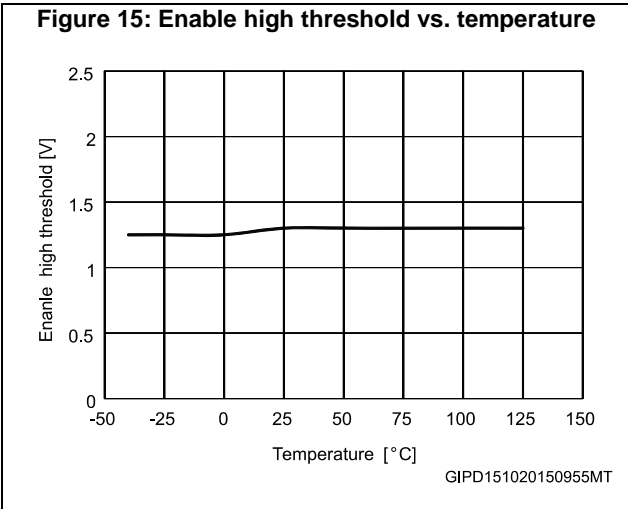
$C_{IN} = C_{OUT} = 1 \mu F$ ,  $V_{IN} = V_{OUT} + 1 V$ ,  $V_{EN}$  to  $V_{IN}$ ,  $I_{OUT} = 10 mA$ , unless otherwise specified.

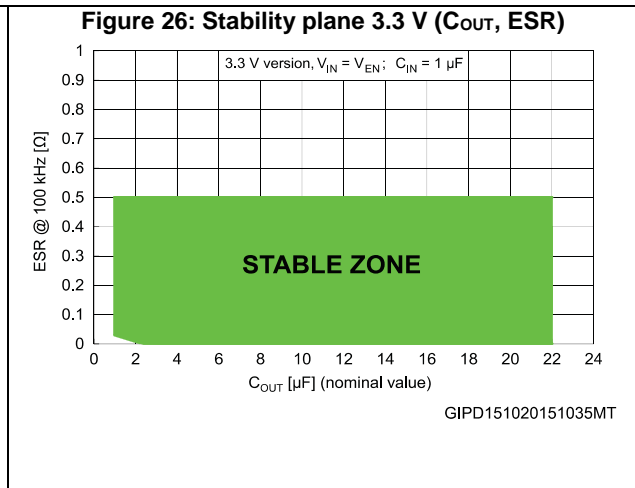
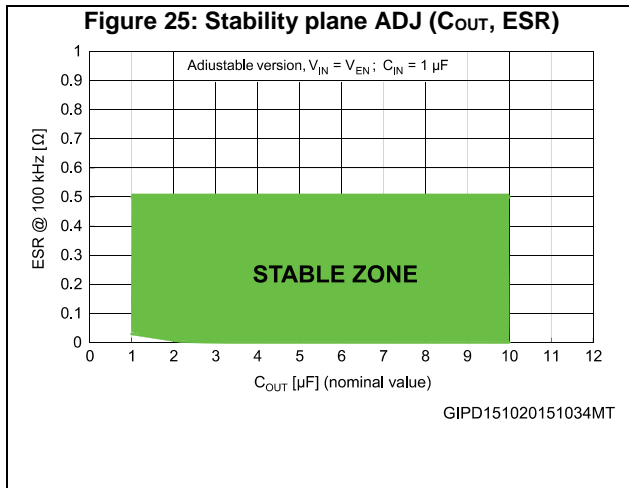
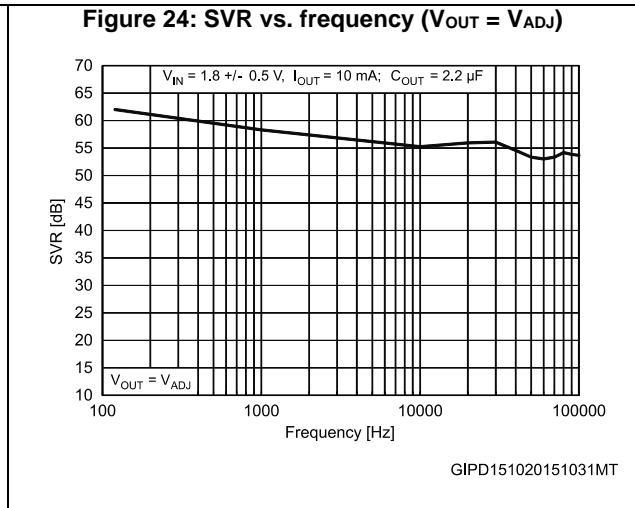
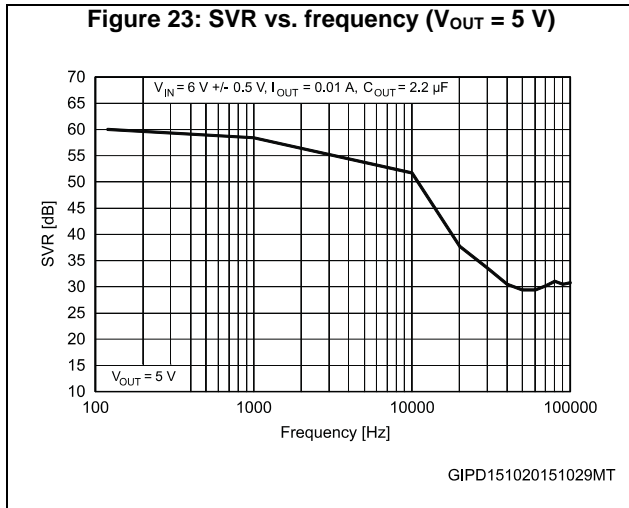
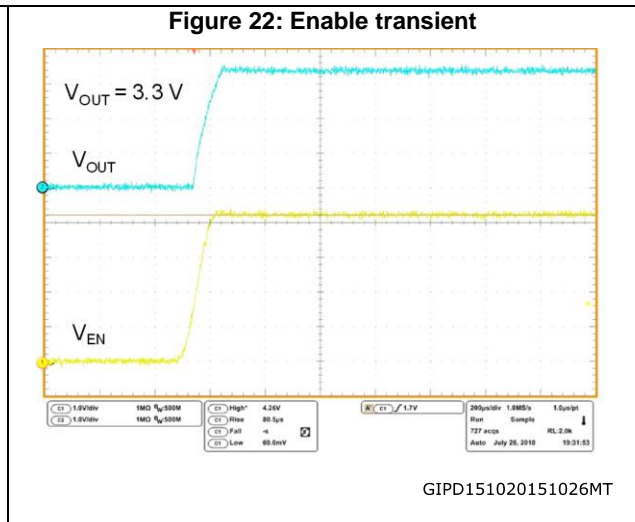
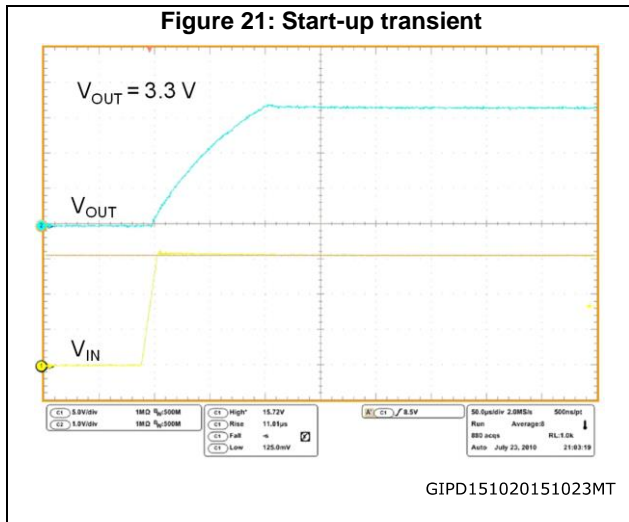




Typical characteristics

LDF





## 8 Package information

In order to meet environmental requirements, ST offers these devices in different grades of ECOPACK® packages, depending on their level of environmental compliance. ECOPACK® specifications, grade definitions and product status are available at: [www.st.com](http://www.st.com). ECOPACK® is an ST trademark.

### 8.1 DFN6 (3x3) package information

Figure 27: DFN6 (3x3) package outline

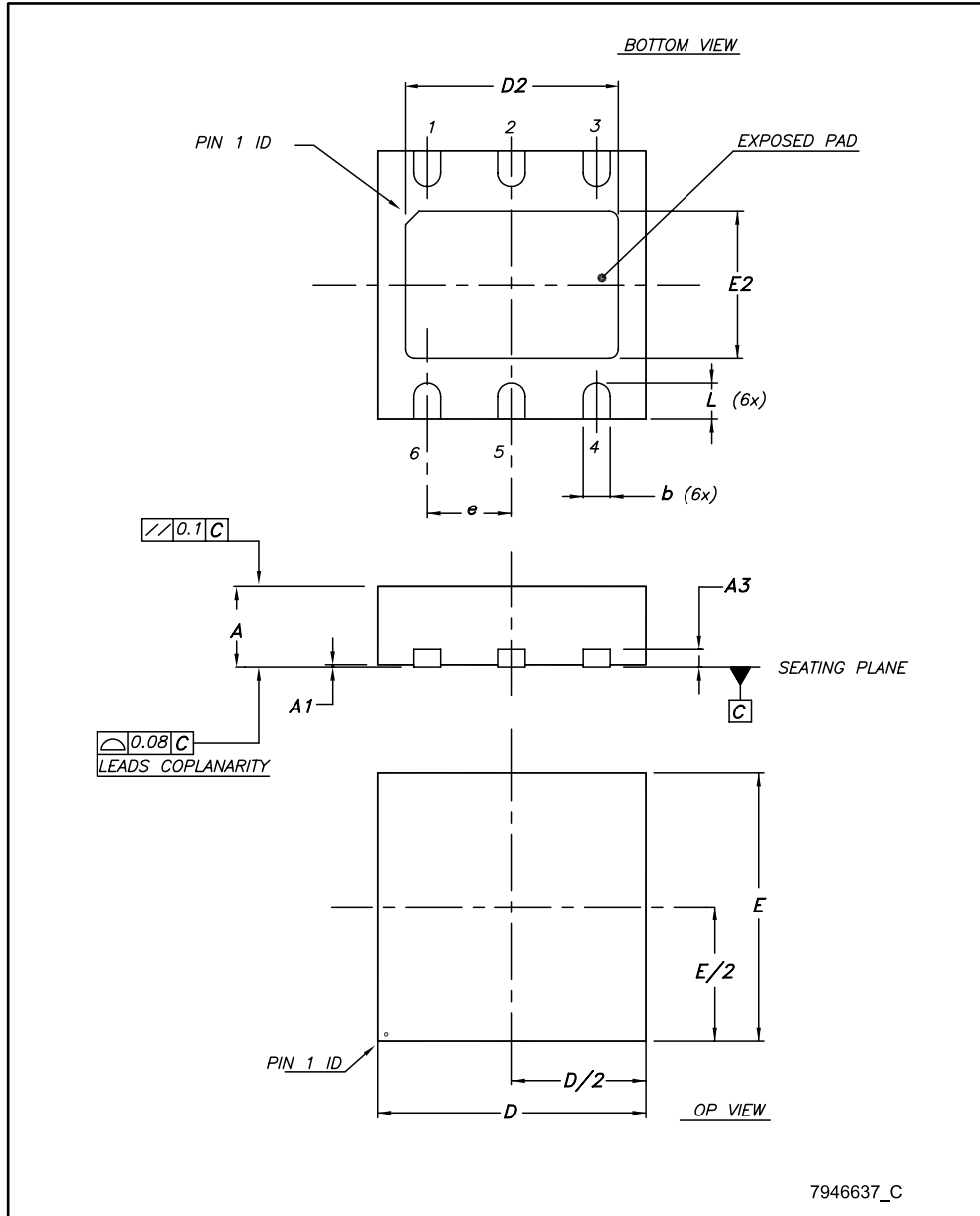
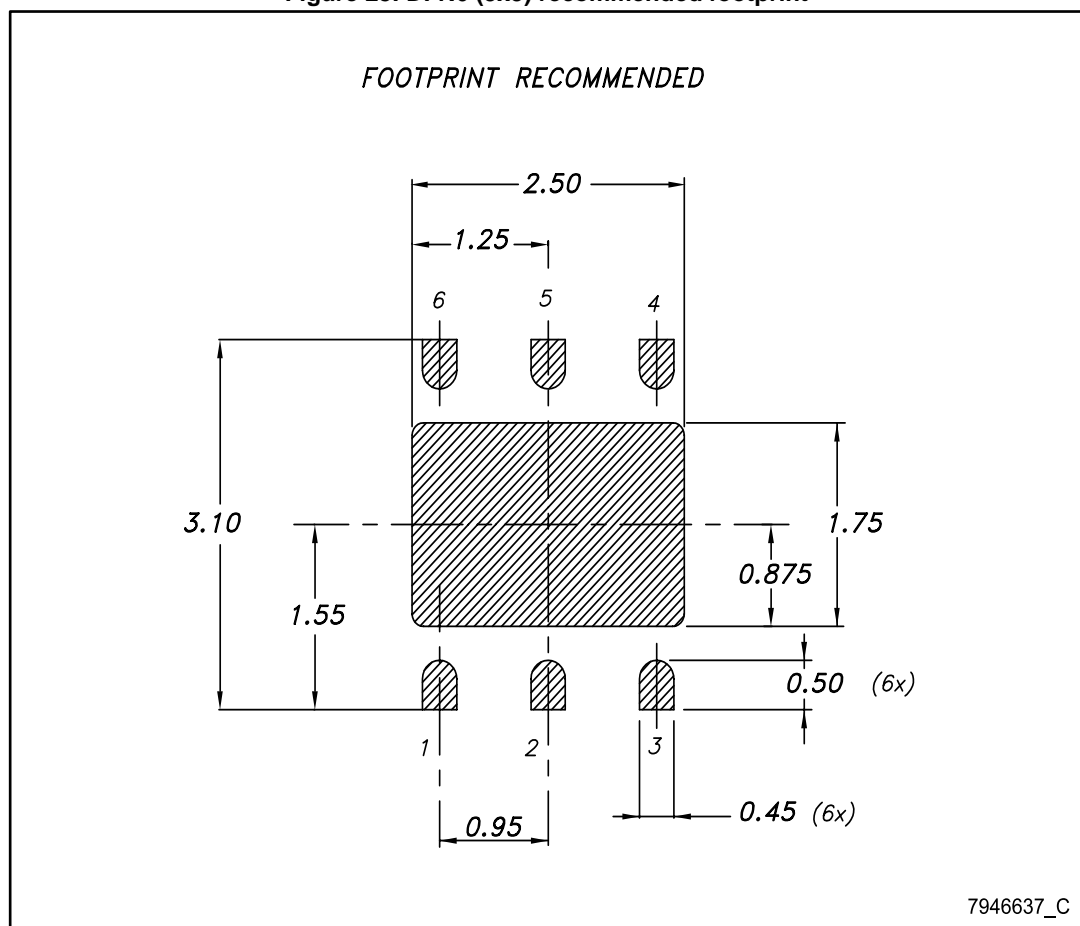


Table 7: DFN6 (3x3) mechanical data

| Dim. | mm   |      |      |
|------|------|------|------|
|      | Min. | Typ. | Max. |
| A    | 0.80 |      | 1    |
| A1   | 0    | 0.02 | 0.05 |
| A3   |      | 0.20 |      |
| b    | 0.23 |      | 0.45 |
| D    | 2.90 | 3    | 3.10 |
| D2   | 2.23 |      | 2.50 |
| E    | 2.90 | 3    | 3.10 |
| E2   | 1.50 |      | 1.75 |
| e    |      | 0.95 |      |
| L    | 0.30 | 0.40 | 0.50 |

Figure 28: DFN6 (3x3) recommended footprint



### 8.2 DFN6 (3x3) packing information

Figure 29: DFN6 (3x3) tape outline

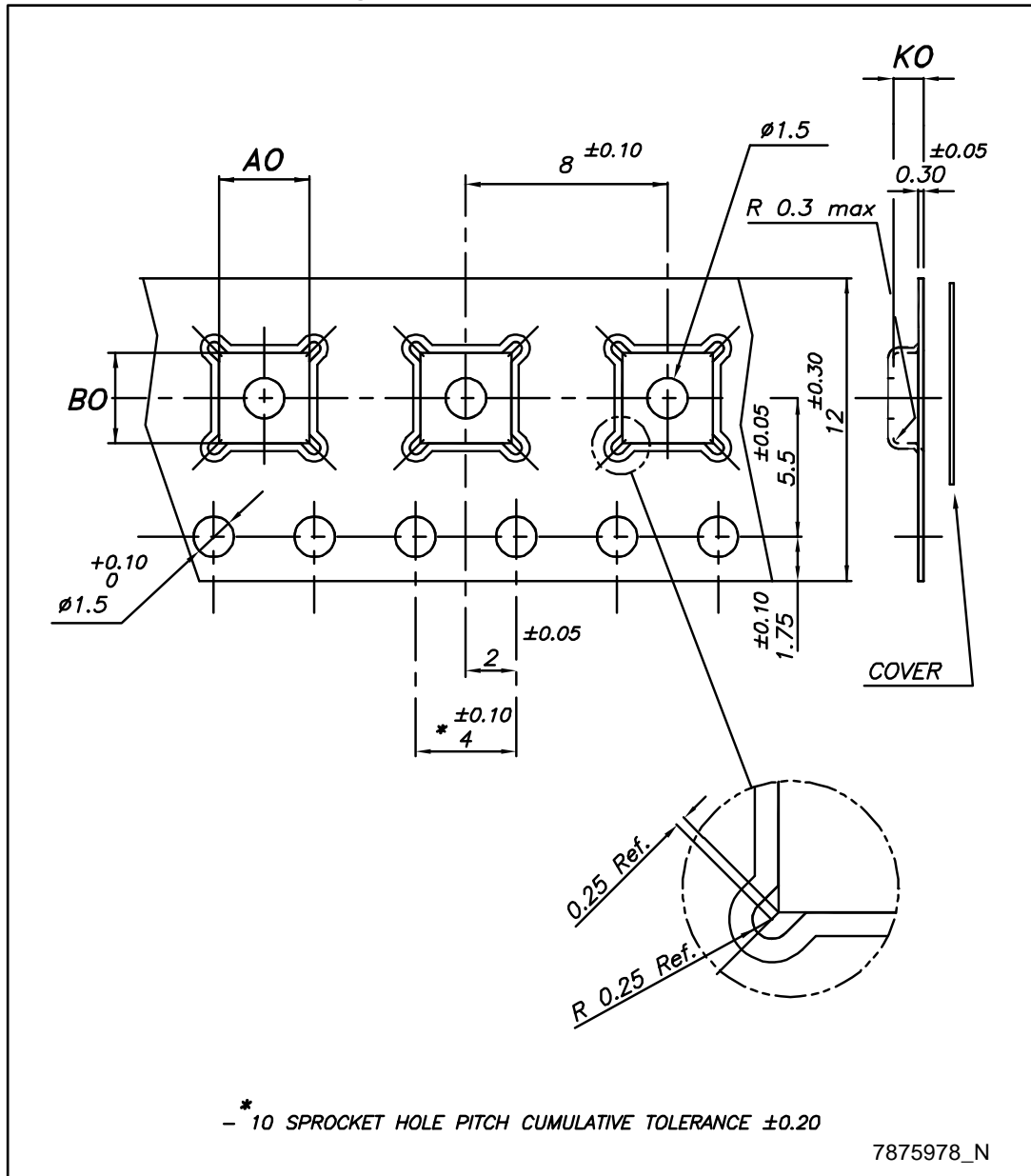


Figure 30: DFN6 (3x3) reel outline

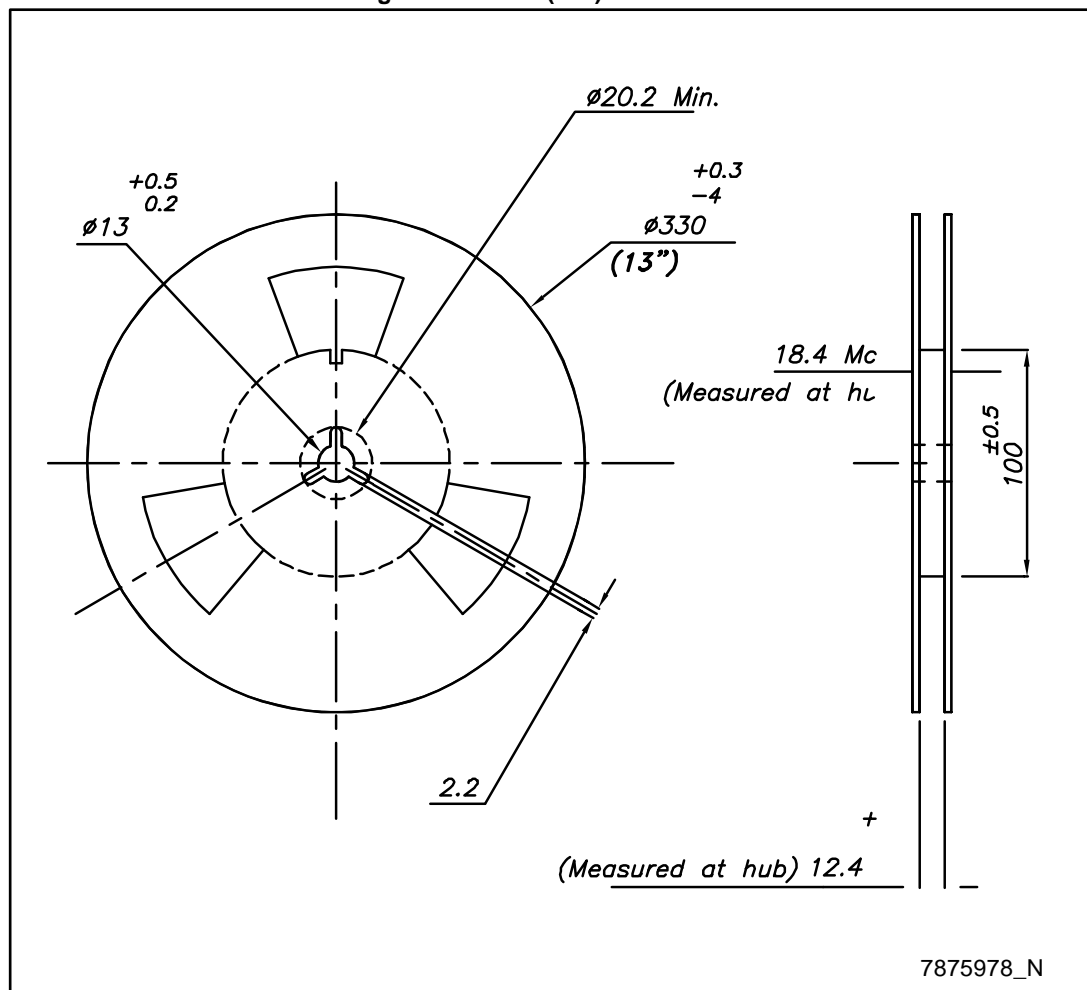


Table 8: DFN6 (3x3) tape and reel mechanical data

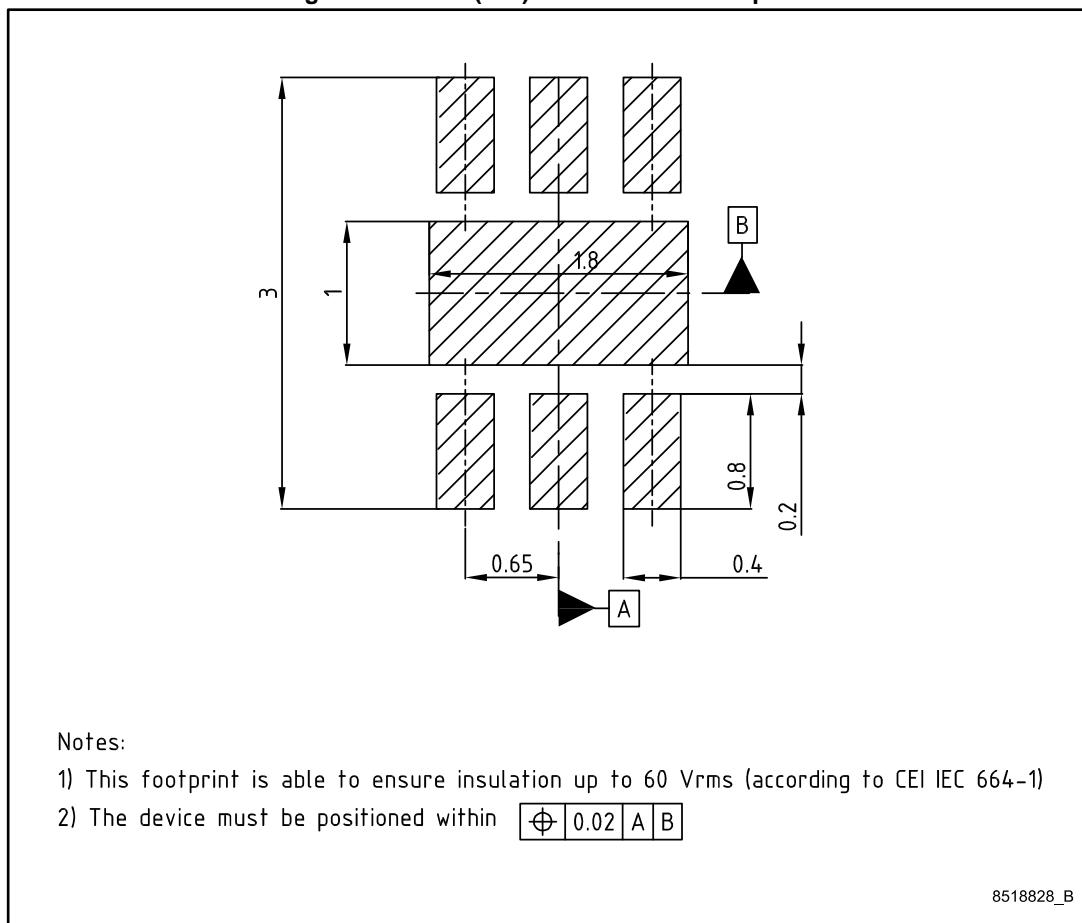
| Dim. | mm   |      |      |
|------|------|------|------|
|      | Min. | Typ. | Max. |
| A0   | 3.20 | 3.30 | 3.40 |
| B0   | 3.20 | 3.30 | 3.40 |
| K0   | 1    | 1.10 | 1.20 |



Table 9: DFN6 (2x2) mechanical data

| Dim. | mm       |      |      |
|------|----------|------|------|
|      | Min.     | Typ. | Max. |
| A    | 0.80     | 0.90 | 1.00 |
| A1   | 0.00     | 0.02 | 0.05 |
| b    | 0.25     | 0.30 | 0.35 |
| D    | 2.00 BSC |      |      |
| E    | 2.00 BSC |      |      |
| e    | 0.65 BSC |      |      |
| D2   | 1.45     |      | 1.70 |
| E2   | 0.85     |      | 1.10 |
| L    | 0.20     |      | 0.30 |
| K    | 0.15     |      |      |
| aaa  | 0.05     |      |      |
| bbb  | 0.10     |      |      |
| ccc  | 0.10     |      |      |
| ddd  | 0.05     |      |      |
| eee  | 0.08     |      |      |
| N    | 6        |      |      |

Figure 32: DFN6 (2x2) recommended footprint



## 8.4 DFN6 (2x2) packing information

Figure 33: DFN6 (2x2) reel outline

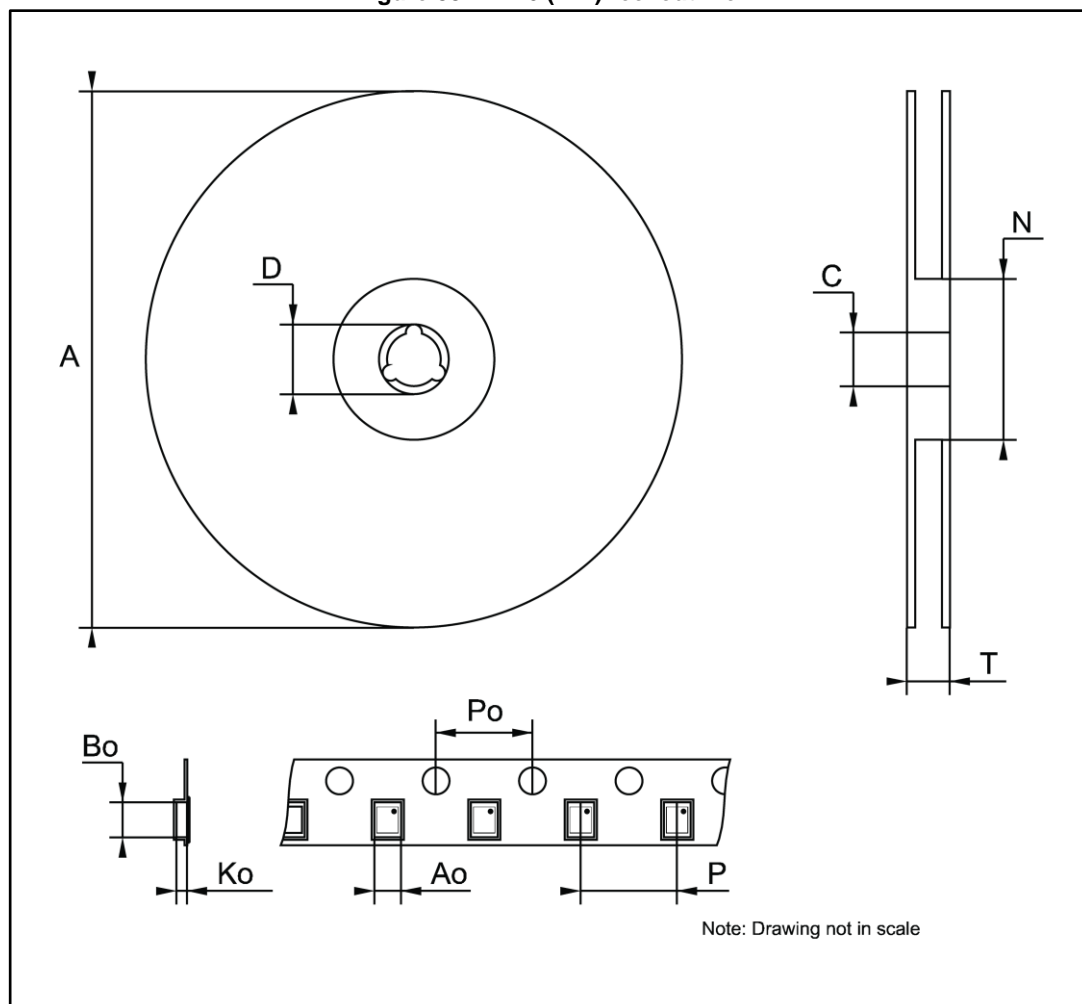
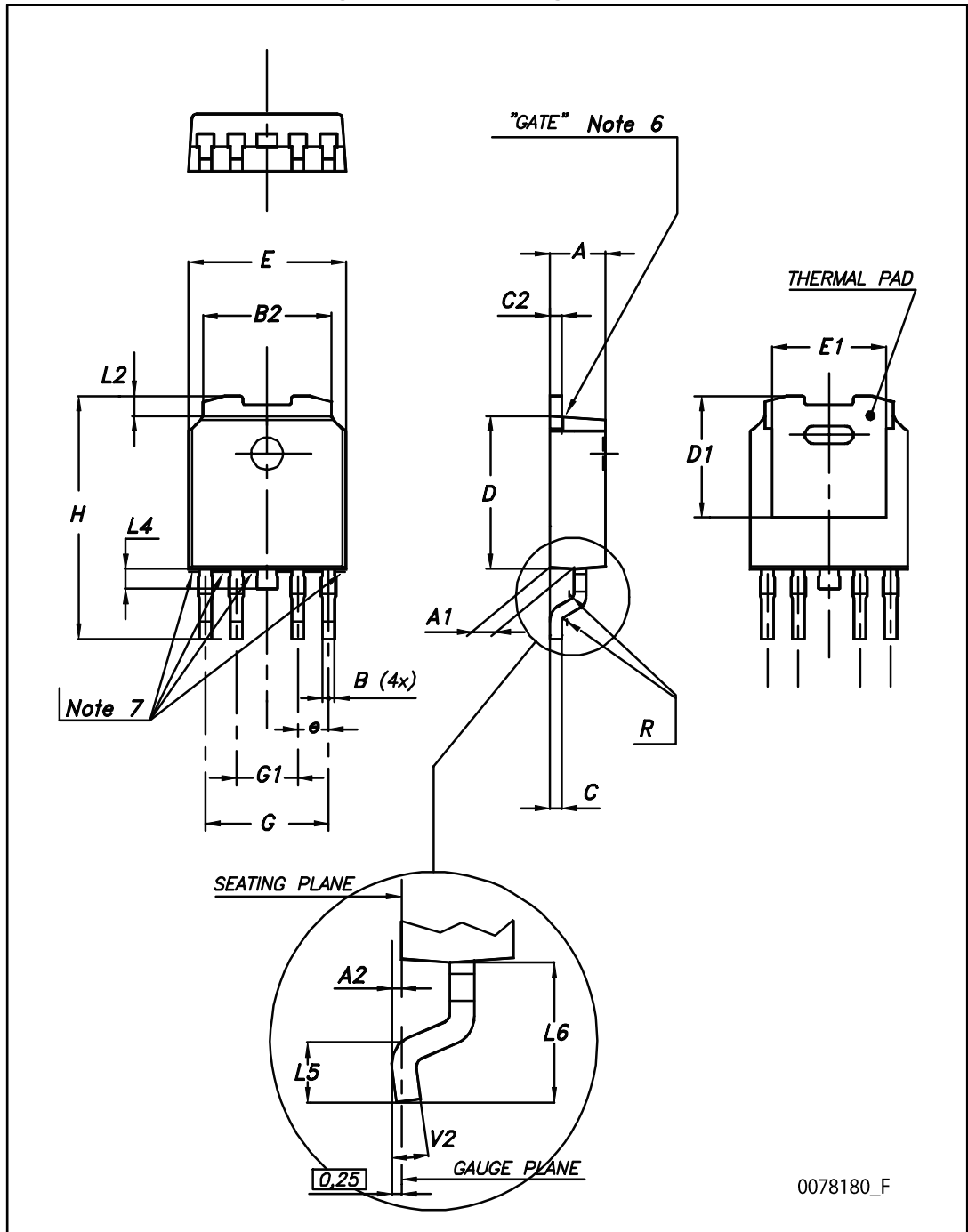


Table 10: DFN6 (2x2) tape and reel mechanical data

| Dim. | mm   |      |      |
|------|------|------|------|
|      | Min. | Typ. | Max. |
| A    |      |      | 180  |
| C    | 12.8 |      | 13.2 |
| D    | 20.2 |      |      |
| N    | 60   |      |      |
| T    |      |      | 14.4 |
| A0   |      | 2.4  |      |
| B0   |      | 2.4  |      |
| K0   |      | 1.3  |      |
| P0   |      | 4    |      |
| P    |      | 4    |      |

### 8.5 PPAK package information

Figure 34: PPAK package outline



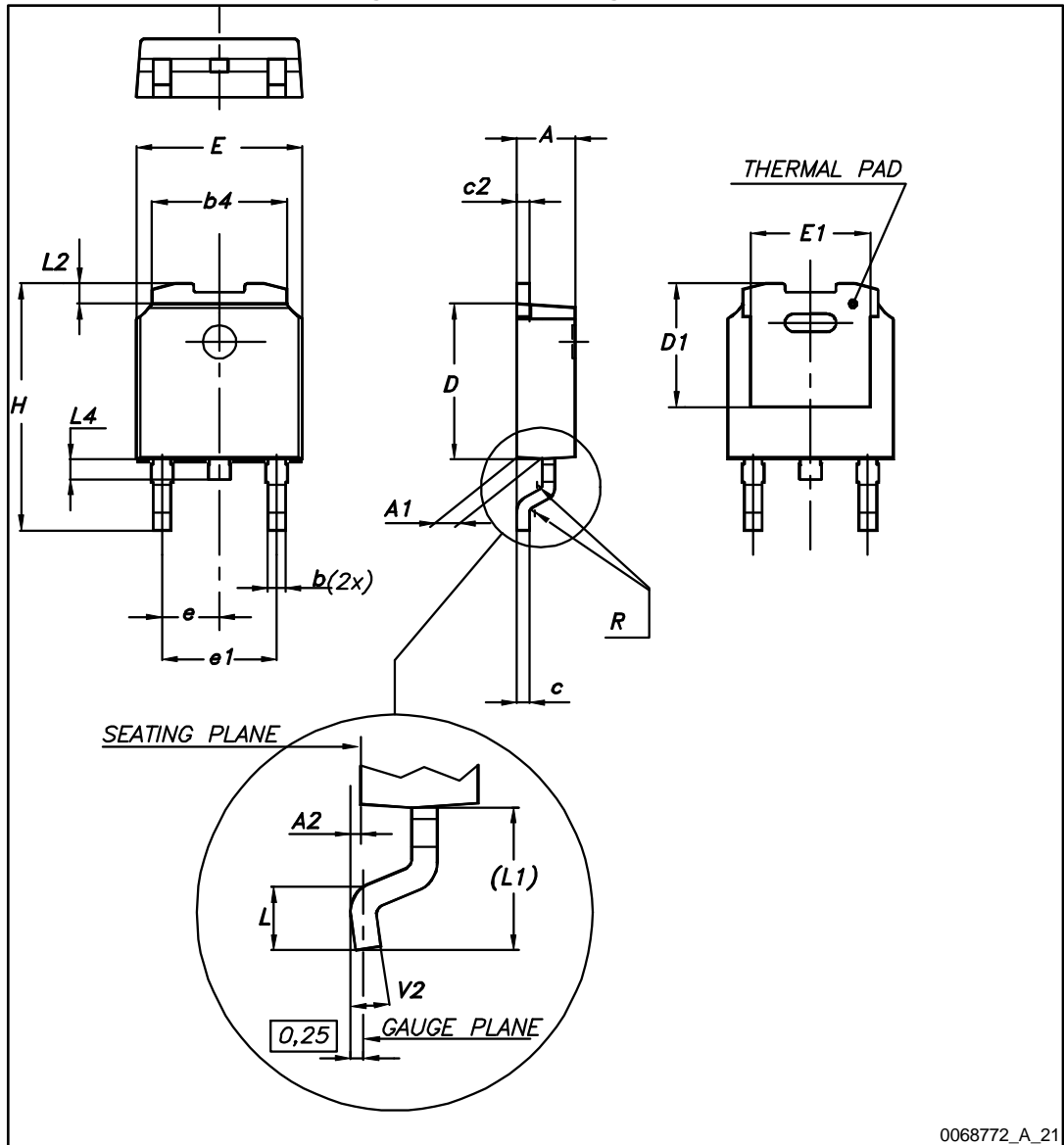
0078180\_F

Table 11: PPAK mechanical data

| Dim. | mm   |      |      |
|------|------|------|------|
|      | Min. | Typ. | Max. |
| A    | 2.2  |      | 2.4  |
| A1   | 0.9  |      | 1.1  |
| A2   | 0.03 |      | 0.23 |
| B    | 0.4  |      | 0.6  |
| B2   | 5.2  |      | 5.4  |
| C    | 0.45 |      | 0.6  |
| C2   | 0.48 |      | 0.6  |
| D    | 6    |      | 6.2  |
| D1   |      | 5.1  |      |
| E    | 6.4  |      | 6.6  |
| E1   |      | 4.7  |      |
| e    |      | 1.27 |      |
| G    | 4.9  |      | 5.25 |
| G1   | 2.38 |      | 2.7  |
| H    | 9.35 |      | 10.1 |
| L2   |      | 0.8  | 1    |
| L4   | 0.6  |      | 1    |
| L5   | 1    |      |      |
| L6   |      | 2.8  |      |
| R    |      | 0.20 |      |
| V2   | 0°   |      | 8°   |

### 8.6 DPAK package information

Figure 35: DPAK package outline

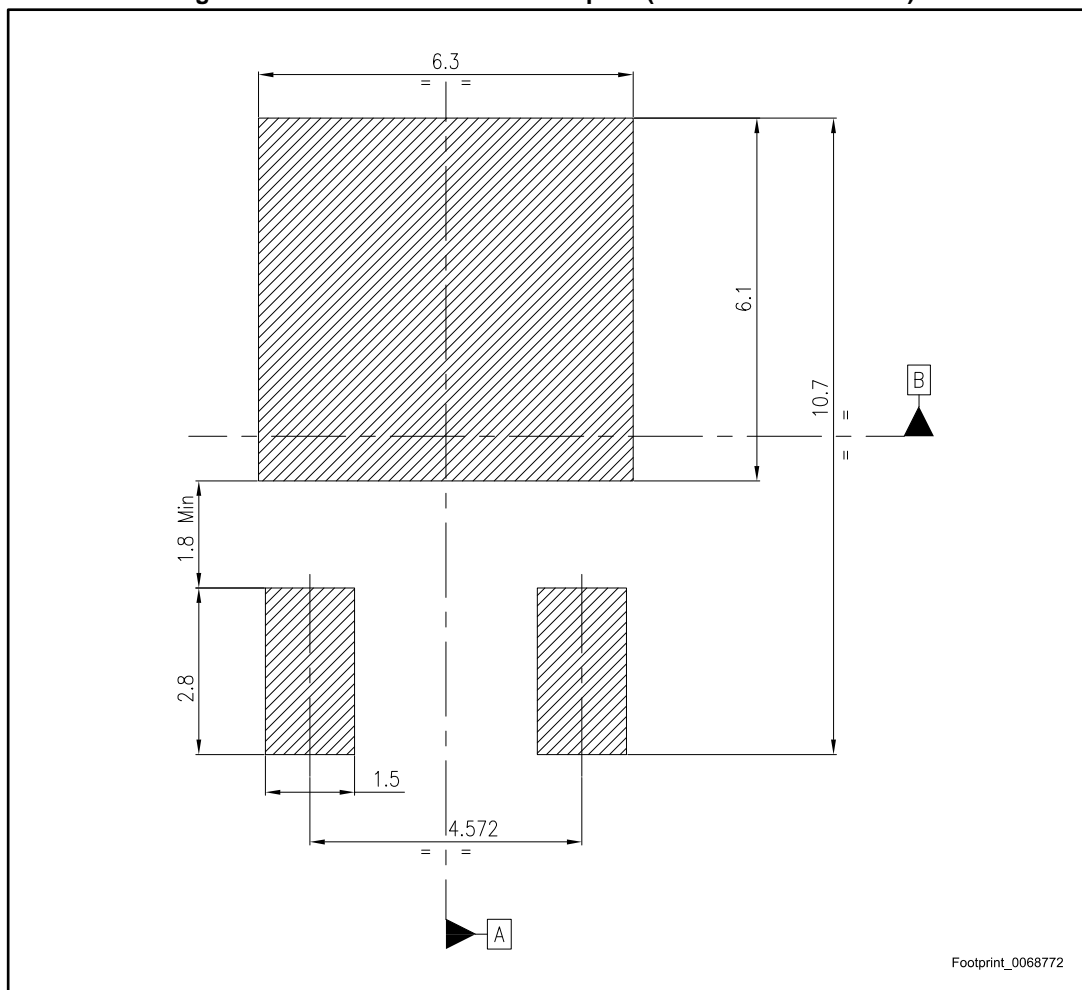


0068772\_A\_21

Table 12: DPAK mechanical data

| Dim. | mm   |      |       |
|------|------|------|-------|
|      | Min. | Typ. | Max.  |
| A    | 2.20 |      | 2.40  |
| A1   | 0.90 |      | 1.10  |
| A2   | 0.03 |      | 0.23  |
| b    | 0.64 |      | 0.90  |
| b4   | 5.20 |      | 5.40  |
| c    | 0.45 |      | 0.60  |
| c2   | 0.48 |      | 0.60  |
| D    | 6.00 |      | 6.20  |
| D1   |      | 5.10 |       |
| E    | 6.40 |      | 6.60  |
| E1   |      | 4.70 |       |
| e    |      | 2.28 |       |
| e1   | 4.40 |      | 4.60  |
| H    | 9.35 |      | 10.10 |
| L    | 1.00 |      | 1.50  |
| (L1) |      | 2.80 |       |
| L2   |      | 0.80 |       |
| L4   | 0.60 |      | 1.00  |
| R    |      | 0.20 |       |
| V2   | 0°   |      | 8°    |

Figure 36: DPAK recommended footprint (dimensions are in mm)



# 8.7 PPAK and DPAK packing information

Figure 37: PPAK and DPAK tape

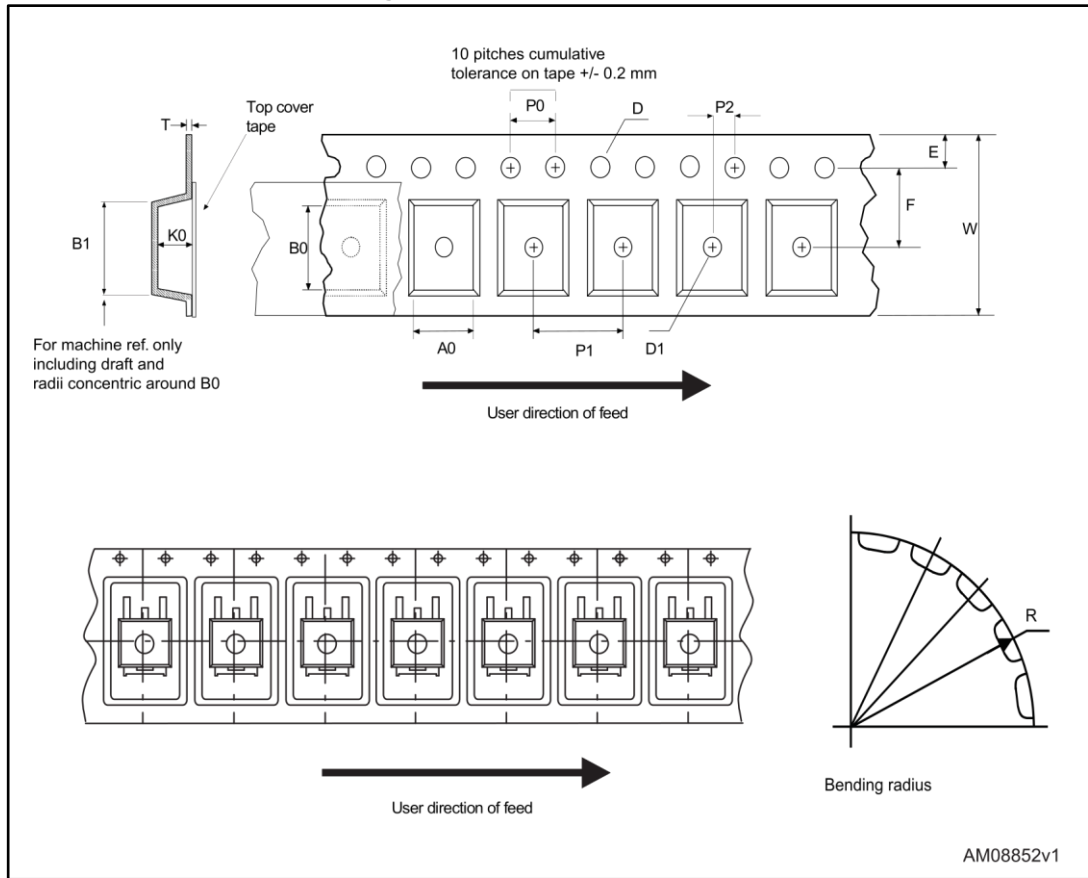


Figure 38: PPAK and DPAK reel

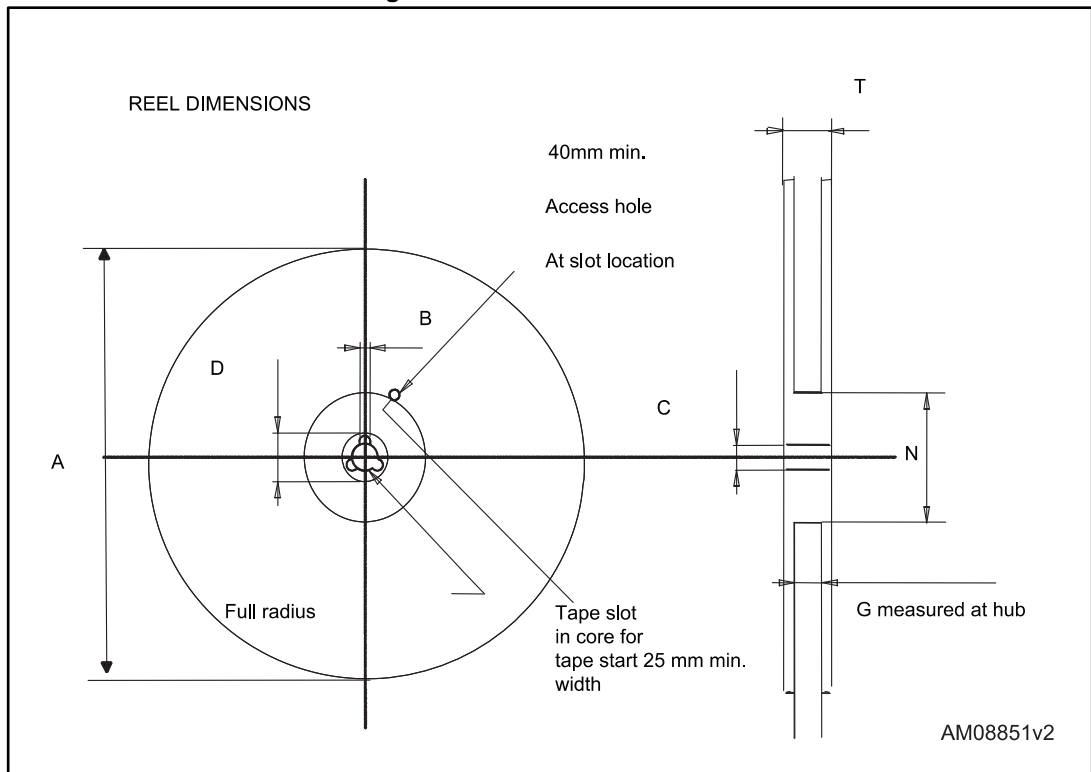


Table 13: PPAK and DPAK tape and reel mechanical data

| Tape |      |      | Reel      |      |      |
|------|------|------|-----------|------|------|
| Dim. | mm   |      | Dim.      | mm   |      |
|      | Min. | Max. |           | Min. | Max. |
| A0   | 6.8  | 7    | A         |      | 330  |
| B0   | 10.4 | 10.6 | B         | 1.5  |      |
| B1   |      | 12.1 | C         | 12.8 | 13.2 |
| D    | 1.5  | 1.6  | D         | 20.2 |      |
| D1   | 1.5  |      | G         | 16.4 | 18.4 |
| E    | 1.65 | 1.85 | N         | 50   |      |
| F    | 7.4  | 7.6  | T         |      | 22.4 |
| K0   | 2.55 | 2.75 |           |      |      |
| P0   | 3.9  | 4.1  | Base qty. |      | 2500 |
| P1   | 7.9  | 8.1  | Bulk qty. |      | 2500 |
| P2   | 1.9  | 2.1  |           |      |      |
| R    | 40   |      |           |      |      |
| T    | 0.25 | 0.35 |           |      |      |
| W    | 15.7 | 16.3 |           |      |      |

## 9 Ordering information

Different output voltage versions of the LDF available on request:

Table 14: Order code

| Package    |            |          |          | Output voltage (V) |
|------------|------------|----------|----------|--------------------|
| PPAK       | DPAK       | DFN6-3x3 | DFN6-2x2 |                    |
| LDF18PT-TR |            |          |          | 1.8                |
| LDF25PT-TR |            |          |          | 2.5                |
| LDF33PT-TR | LDF33DT-TR |          |          | 3.3                |
| LDFPT-TR   |            | LDFPUR   | LDFPVR   | ADJ                |

## 10 Revision history

Table 15: Document revision history

| Date        | Revision | Changes  |
|-------------|----------|--|
| 05-Dec-2013 | 1        | Initial release.   |
| 12-Apr-2017 | 2        | Updated <a href="#">Figure 14: "Enable pin current vs. temperature"</a> and <a href="#">Section 8: "Package information"</a> .<br>Added <a href="#">Section 6.2: "Output voltage setting for ADJ version"</a> .<br>Minor text changes. |

**IMPORTANT NOTICE – PLEASE READ CAREFULLY**

STMicroelectronics NV and its subsidiaries ("ST") reserve the right to make changes, corrections, enhancements, modifications, and improvements to ST products and/or to this document at any time without notice. Purchasers should obtain the latest relevant information on ST products before placing orders. ST products are sold pursuant to ST's terms and conditions of sale in place at the time of order acknowledgement.

Purchasers are solely responsible for the choice, selection, and use of ST products and ST assumes no liability for application assistance or the design of Purchasers' products.

No license, express or implied, to any intellectual property right is granted by ST herein.

Resale of ST products with provisions different from the information set forth herein shall void any warranty granted by ST for such product.



ST and the ST logo are trademarks of ST. All other product or service names are the property of their respective owners.

Information in this document supersedes and replaces information previously supplied in any prior versions of this document.

© 2017 STMicroelectronics – All rights reserved

## Looking for pricing, stock, or lifecycle information?

Click below to explore more details on WIN SOURCE:

-  [View LDFPVR on WIN SOURCE](#)
-  [STMicroelectronics Information](#)

## Optimize Your Supply Chain with WIN SOURCE Solutions

-  Global Sourcing Solution
-  Obsolete Management
-  Cost Control Management
-  Shortage Management
-  Alternative Solution
-  Excess Inventory Management