



# THE DATASHEET OF LM2833XSD/NOPB



## LM2833 1.5MHz/3MHz 3.0A Step-Down DC-DC Switching Regulator

Check for Samples: [LM2833](#)

### FEATURES

- Input Voltage Range of 3.0V to 5.5V
- Output Voltage Range of 0.6V to 4.5V
- Tiny MSOP-PowerPAD 10 or WSON-10 Package
- 3.0A Steady-State Output Current
- High Switching Frequencies
  - 1.5MHz (LM2833X)
  - 3.0MHz (LM2833Z)
- Enable Pin
- 56mΩ PMOS Switch
- 0.6V, 2% Internal Voltage Reference Over Line and Temperature
- Internal Soft-Start
- Internally Compensated Peak Current-Mode Control
- Cycle-by-Cycle Current Limit and Thermal Shutdown
- Frequency Foldback Protection
- Input Voltage UVLO (Under-Voltage Lockout)
- Output Over-Voltage Protection

### APPLICATIONS

- Multimedia Set Top Box
- Broadband Communications
- Core Power in HDDs
- Data Acquisition/Telemetry
- USB Powered Devices
- DSL Modems

### DESCRIPTION

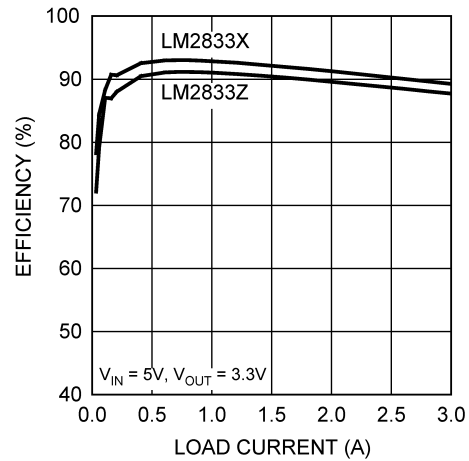
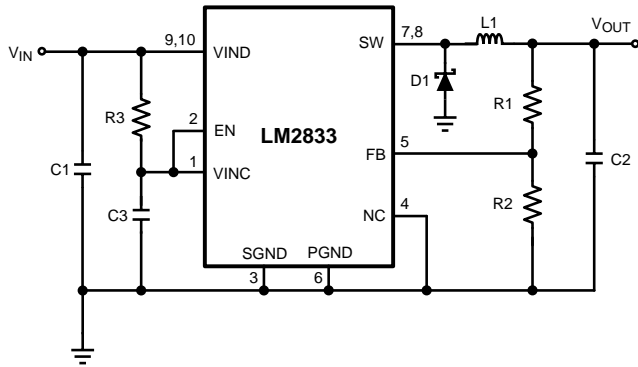
The LM2833 regulator is a monolithic, high frequency, PWM step-down DC/DC converter available in a 10-pin WSON or MSOP-PowerPAD package. It contains all the active functions to provide local DC/DC conversion with fast transient response and accurate regulation in the smallest possible PCB area. With a minimum of external components, the LM2833 is easy to use. The ability to drive 3.0A loads with an internal 56 mΩ PMOS switch using state-of-the-art 0.5μm BiCMOS technology results in the best power density available. The world-class control circuitry allows on-times as low as 30ns, thus supporting exceptionally high frequency conversion over the entire 3V to 5.5V input operating range down to the minimum output voltage of 0.6V. Switching frequency is internally set to 1.5MHz or 3.0MHz, allowing the use of extremely small surface mount inductors and capacitors. Even though the operating frequency is high, efficiencies up to 93% are easy to achieve. External shutdown is included, featuring an ultra-low stand-by current of 300nA. The LM2833 utilizes peak current-mode control and internal compensation to provide high-performance regulation over a wide range of operating conditions. Additional features include internal soft-start circuitry to reduce inrush current, cycle-by-cycle current limit, frequency foldback, thermal shutdown, and output over-voltage protection.



Please be aware that an important notice concerning availability, standard warranty, and use in critical applications of Texas Instruments semiconductor products and disclaimers thereto appears at the end of this data sheet.

All trademarks are the property of their respective owners.

Typical Application Circuit



Connection Diagrams

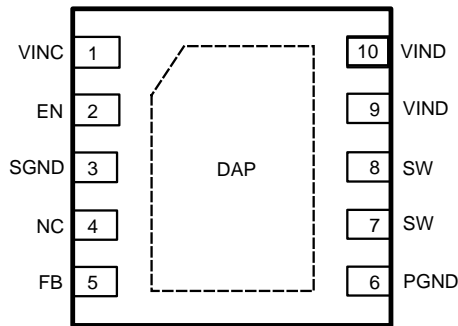


Figure 1. 10-Pin WSON  
See Package DSC

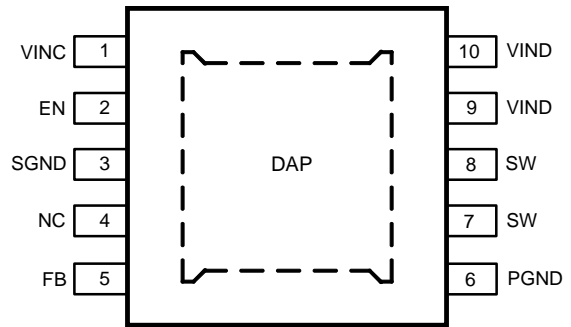


Figure 2. 10-pin MSOP-PowerPAD  
See Package DGQ

PIN DESCRIPTIONS

Pin(s)	Name	Description
1	VINC	Input supply for internal bias and control circuitry. Need to locally bypass this pin to GND.
2	EN	Enable control input. Logic high enables operation. Do not allow this pin to float or subject to voltages greater than $V_{IN} + 0.3V$ .
3	SGND	Signal (analog) ground. Place the bottom resistor of the feedback network as close as possible to this pin for good load regulation.
4	NC	No user function, connect this pin to GND.
5	FB	Feedback pin. Connect this pin to the external resistor divider to set output voltage.
6	PGND	Power ground pin. Provides ground return path for the internal driver.
7, 8	SW	Switch pins. Connect these pins to the inductor and catch diode.
9, 10	VIND	Input supply voltage. Connect a bypass capacitor locally from these pins to PGND.
DAP	Die Attach Pad	Connect to system ground for low thermal impedance, but it cannot be used as a primary GND connection.



These devices have limited built-in ESD protection. The leads should be shorted together or the device placed in conductive foam during storage or handling to prevent electrostatic damage to the MOS gates.

### Absolute Maximum Ratings<sup>(1)(2)</sup>

VINC, VIND		-0.5V to 7V
FB Voltage		-0.5V to 3V
EN Voltage		-0.5V to 7V
SW Voltage		-0.5V to 7V
ESD Susceptibility <sup>(3)</sup>		2kV
Junction Temperature <sup>(4)</sup>		150°C
Storage Temperature		-65°C to +150°C
Soldering Information	Infrared/Convection Reflow (15sec)	220°C

- (1) Absolute Maximum Ratings indicate limits beyond which damage to the device may occur, including inoperability and degradation of device reliability and/or performance. Functional operation of the device and/or non-degradation at the Absolute Maximum Ratings or other conditions beyond those indicated in the recommended Operating Ratings is not implied. The recommended Operating Ratings indicate conditions at which the device is functional and should not be operated beyond such conditions.
- (2) If Military/Aerospace specified devices are required, please contact Texas Instruments Sales Office/Distributors for availability and specifications.
- (3) Human body model, 1.5kΩ in series with 100pF.
- (4) Thermal shutdown will occur if the junction temperature exceeds the maximum junction temperature of the device.

### Operating Ratings

VINC, VIND		3V to 5.5V
Junction Temperature		-40°C to +125°C

## Electrical Characteristics

Unless otherwise specified under the **Conditions** column,  $V_{IN} = 5V$ . Limits in standard type are for  $T_J = 25^\circ\text{C}$  only; limits in **boldface type** apply over the junction temperature ( $T_J$ ) range of  $-40^\circ\text{C}$  to  $+125^\circ\text{C}$ . Minimum and Maximum limits are specified through test, design, or statistical correlation. Typical values represent the most likely parametric norm, and are provided for reference purposes only.

Symbol	Parameter	Conditions	Min	Typ	Max	Units
$V_{FB}$	Feedback Voltage	WSON-10 Package	<b>0.588</b>	0.600	<b>0.612</b>	V
		MSOP-PowerPAD-10 Package	<b>0.584</b>	0.600	<b>0.616</b>	
$\Delta V_{FB}/(\Delta V_{IN} \times V_{FB})$	Feedback Voltage Line Regulation	$V_{IN} = 3V$ to $5.5V$		0.08		%/V
$I_B$	Feedback Input Bias Current			0.1	<b>100</b>	nA
UVLO	Undervoltage Lockout	$V_{IN}$ Rising		2.70	<b>2.90</b>	V
		$V_{IN}$ Falling	<b>1.85</b>	2.35		
	UVLO Hysteresis			0.35		V
$f_{SW}$	Switching Frequency	LM2833X	<b>1.1</b>	1.5	<b>1.95</b>	MHz
		LM2833Z	<b>2.25</b>	3.0	<b>3.75</b>	
$D_{MAX}$	Maximum Duty Cycle	LM2833X	<b>86</b>	95		%
		LM2833Z	<b>80</b>	90		
$D_{MIN}$	Minimum Duty Cycle	LM2833X		5		%
		LM2833Z		7		
$R_{DS(ON)}$	Switch On Resistance	WSON-10 Package		58	<b>90</b>	m $\Omega$
		MSOP-PowerPAD 10 Package		56		
$I_{CL}$	Switch Current Limit		<b>3.4</b>	4.4		A
$V_{EN\_TH}$	Enable Threshold Voltage		<b>1.8</b>			V
	Shutdown Threshold Voltage				<b>0.4</b>	
$I_{SW}$	Switch Leakage			100		nA
$I_{EN}$	Enable Pin Current	Sink/Source		100		nA
$I_Q$	Quiescent Current (switching)	LM2833X, $V_{FB} = 0.55$		3.2	<b>5</b>	mA
		LM2833Z, $V_{FB} = 0.55$		4.3	<b>6.5</b>	
	Quiescent Current (shutdown)	All Options $V_{EN} = 0V$		300		nA
$V_{FB\_F}$	FB Frequency Foldback Threshold	All Options		0.32		V
$f_{FB}$	Foldback Frequency	LM2833X, $V_{FB} = 0V$		400		kHz
		LM2833Z, $V_{FB} = 0V$		800		
$\theta_{JA}$	Junction to Ambient 0 LFPM Air Flow <sup>(1)</sup>	WSON-10 Package		53		$^\circ\text{C}/W$
		MSOP-PowerPAD-10 Package		50		
$\theta_{JC}$	Junction to Case <sup>(1)</sup>	WSON-10 Package		12		$^\circ\text{C}/W$
		MSOP-PowerPAD-10 Package		11		
$T_{SD}$	Thermal Shutdown Threshold	Junction Temperature Rising		165		$^\circ\text{C}$
$T_{SD\_HYS}$	Thermal Shutdown Hysteresis	Junction Temperature Falling		15		$^\circ\text{C}$

(1) Applies for packages soldered directly onto a 4" x 3" 4-layer standard JEDEC board in still air.

### Typical Performance Characteristics

Unless otherwise specified,  $V_{IN} = 5V$  and  $T_A = 25^\circ C$ .

Efficiency vs Load Current - "LM2833X" and "LM2833Z"

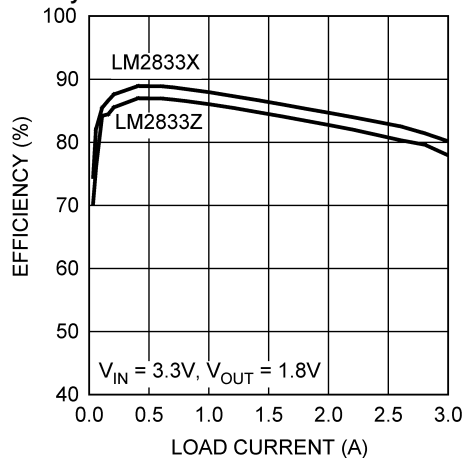


Figure 3.

Efficiency vs Load Current - "LM2833X"

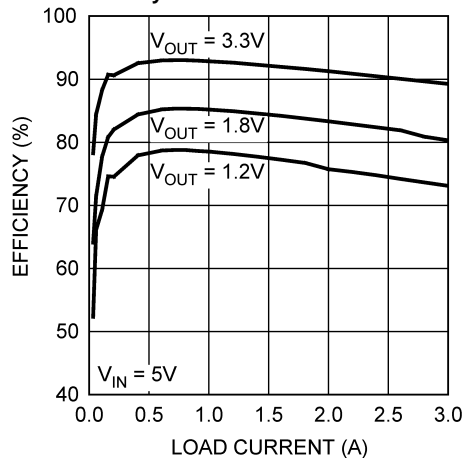


Figure 4.

Efficiency vs Load Current - "LM2833Z"

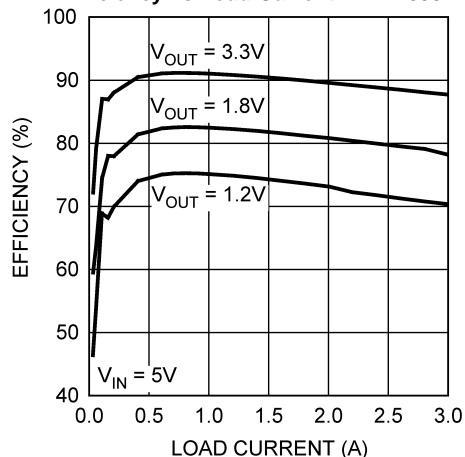


Figure 5.

Oscillator Frequency vs Temperature - "LM2833X"

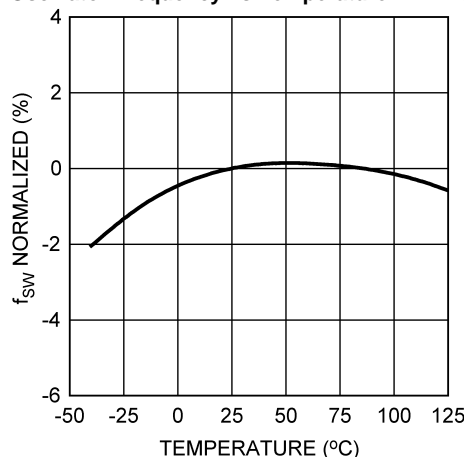


Figure 6.

Oscillator Frequency vs Temperature - "LM2833Z"

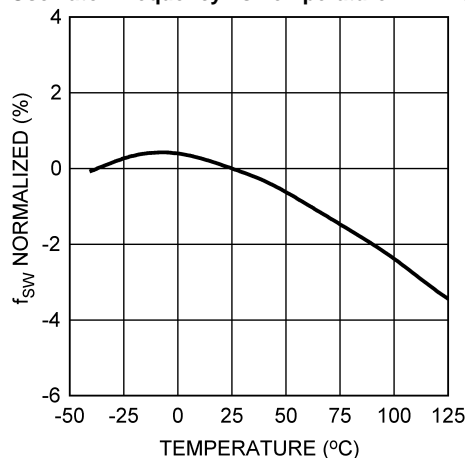


Figure 7.

Current Limit vs Temperature

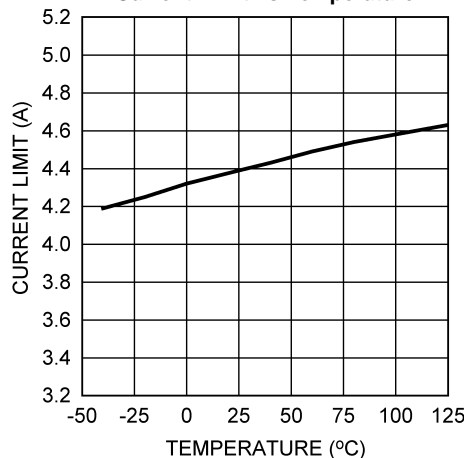


Figure 8.

**Typical Performance Characteristics (continued)**

Unless otherwise specified,  $V_{IN} = 5V$  and  $T_A = 25^\circ C$ .

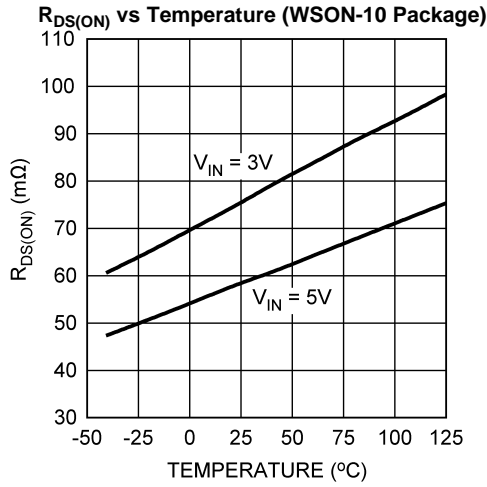


Figure 9.

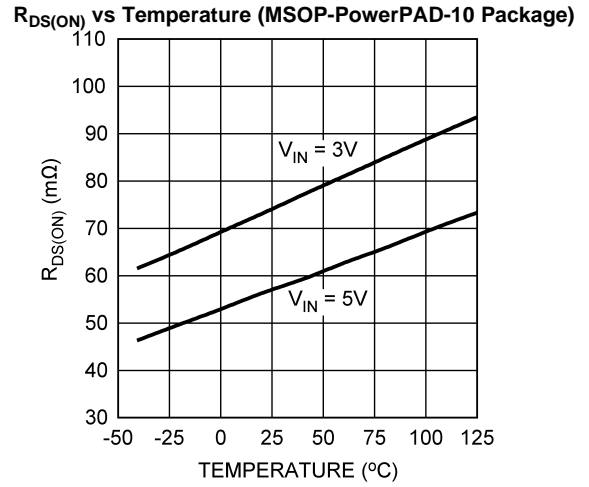


Figure 10.

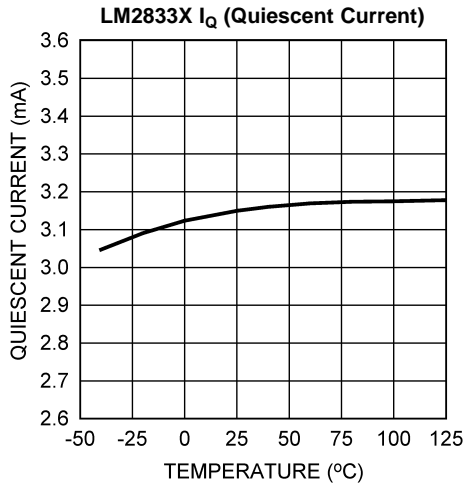


Figure 11.

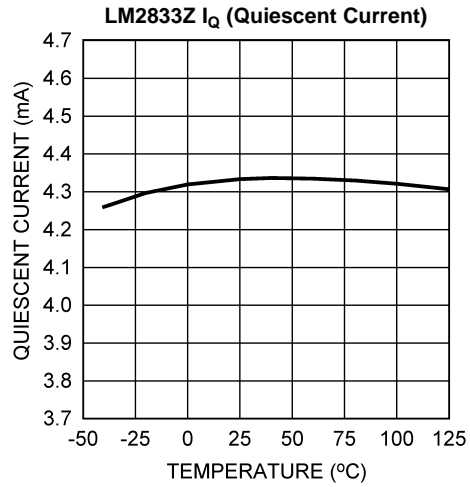


Figure 12.

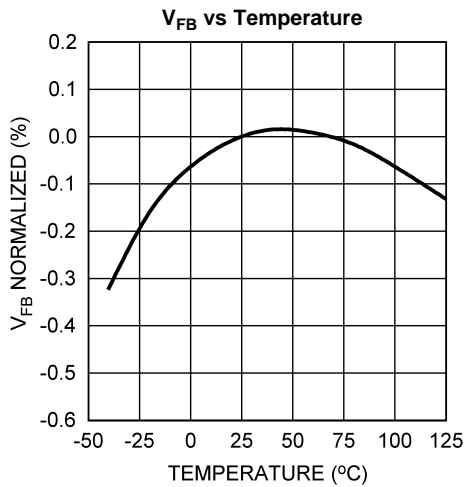


Figure 13.

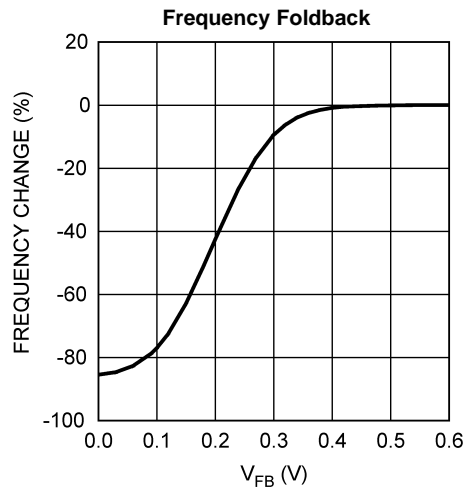


Figure 14.

Typical Performance Characteristics (continued)

Unless otherwise specified,  $V_{IN} = 5V$  and  $T_A = 25^\circ C$ .

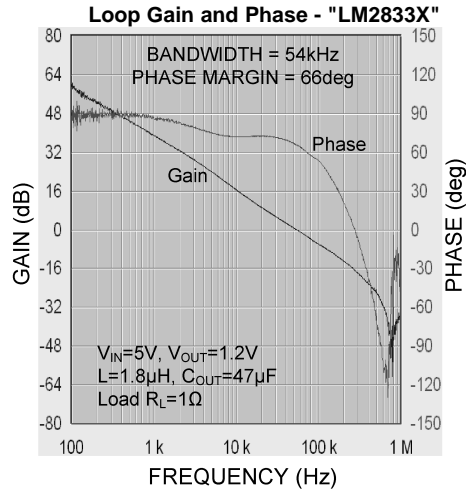


Figure 15.

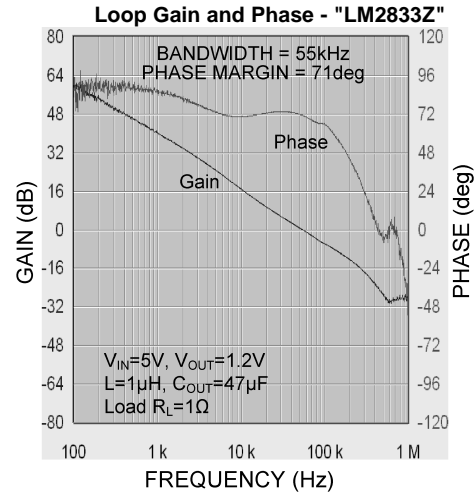


Figure 16.

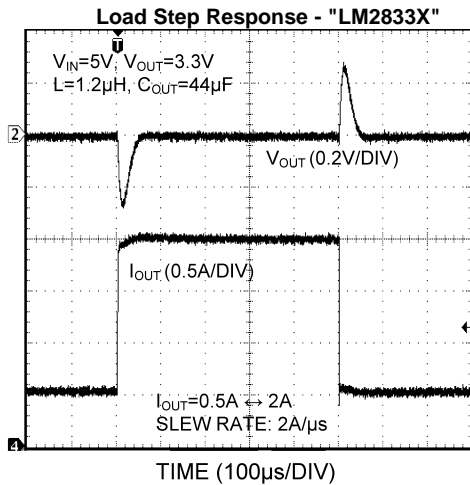


Figure 17.

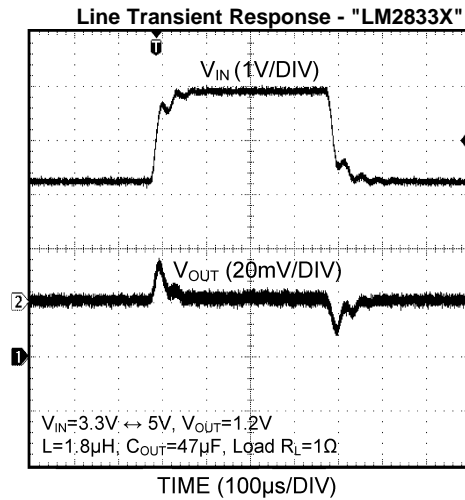


Figure 18.

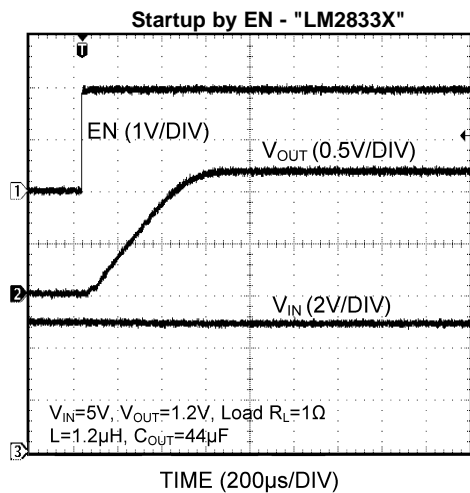


Figure 19.

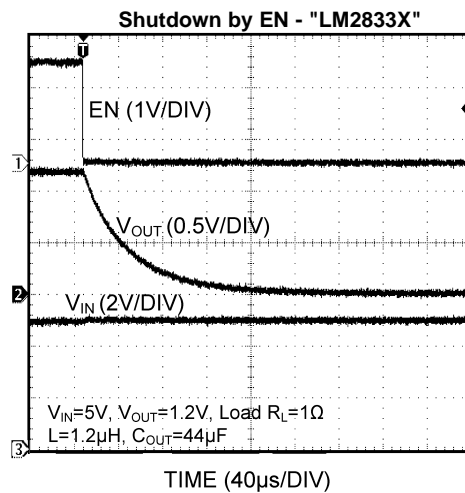
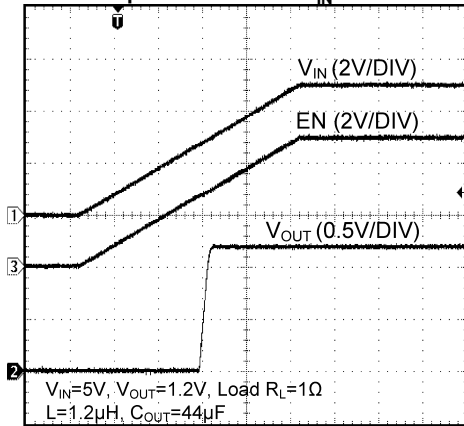


Figure 20.

**Typical Performance Characteristics (continued)**

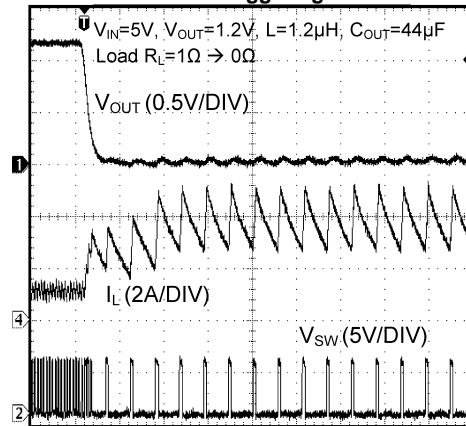
Unless otherwise specified,  $V_{IN} = 5V$  and  $T_A = 25^\circ C$ .

**Startup with EN tied to  $V_{IN}$  - "LM2833X"**



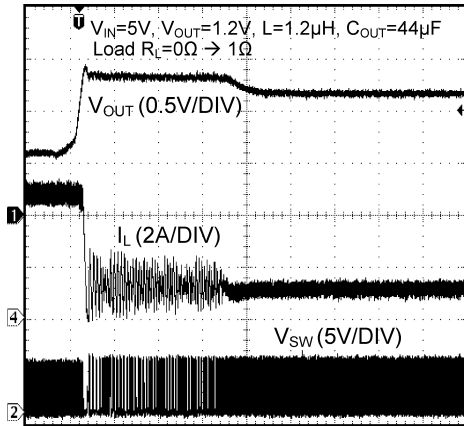
TIME (2ms/DIV)  
Figure 21.

**Short-circuit Triggering - "LM2833X"**



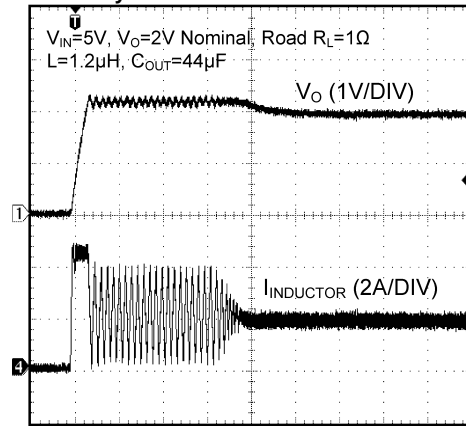
TIME (10μs/DIV)  
Figure 22.

**Short-circuit Release - "LM2833X"**



TIME (40μs/DIV)  
Figure 23.

**Recovery from Thermal Shutdown - "LM2833X"**



TIME (40μs/DIV)  
Figure 24.

Block Diagram

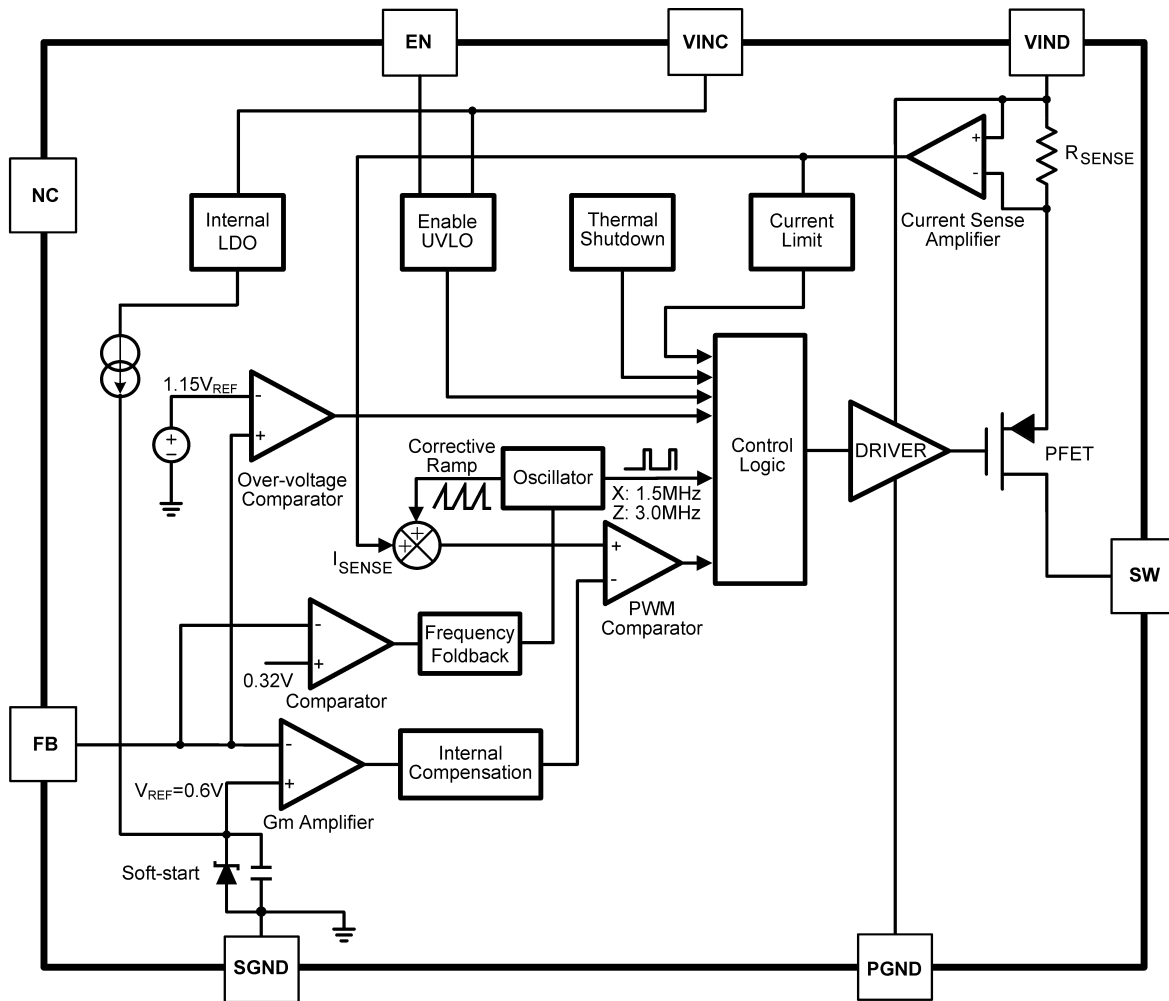


Figure 25. Simplified Block Diagram

## APPLICATION INFORMATION

### THEORY OF OPERATION

The LM2833 is a constant frequency PWM buck regulator IC that delivers a 3.0A load current. The regulator is available in preset switching frequencies of 1.5MHz or 3.0MHz. This high frequency allows the LM2833 to operate with small surface mount capacitors and inductors, resulting in a DC/DC converter that requires a minimum amount of board space. The LM2833 is internally compensated, therefore it is simple to use and requires few external components. The LM2833 uses peak current-mode control to regulate the output voltage. The following description of operation of the LM2833 will refer to the Typical Application Circuit, to the waveforms in Figure 26 and simplified block diagram in Figure 25. The LM2833 supplies a regulated output voltage by switching the internal PMOS power switch at a constant frequency and variable duty cycle. A switching cycle begins at the falling edge of the reset pulse generated by the internal oscillator. When this pulse goes low, the output control logic turns on the internal PMOS power switch. During this on-time, the SW pin voltage ( $V_{SW}$ ) swings up to approximately  $V_{IN}$ , and the inductor current ( $I_L$ ) increases with a linear slope.  $I_L$  is measured by the current sense amplifier, which generates an output proportional to the switch current. The sense signal is summed with the regulator's corrective ramp and compared to the error amplifier's output, which is proportional to the difference between the feedback voltage and  $V_{REF}$ . When the PWM comparator output goes high, the internal power switch turns off until the next switching cycle begins. During the switch off-time, the inductor current discharges through the catch diode D1, which forces the SW pin to swing below ground by the forward voltage ( $V_D$ ) of the catch diode. The regulator loop adjusts the duty cycle (D) to maintain a constant output voltage.

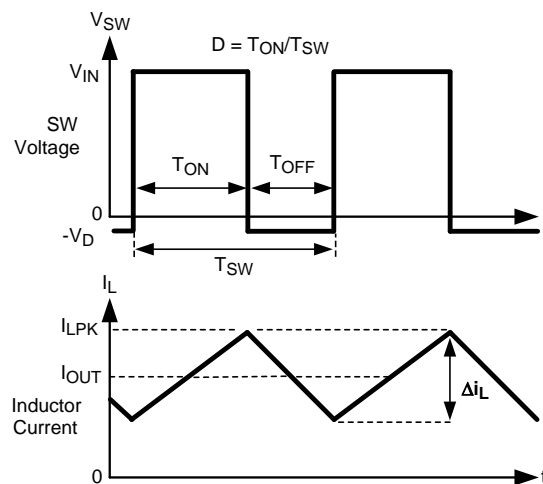


Figure 26. SW Pin Voltage and Inductor Current Waveforms

### SOFT-START/SHUTDOWN

The LM2833 has both enable and shutdown modes that are controlled by the EN pin. Connecting a voltage source greater than 1.8V to the EN pin enables the operation of the LM2833, while reducing this voltage below 0.4V places the part in a low quiescent current (300nA typical) shutdown mode. There is no internal pull-up on EN pin, therefore an external signal is required to initiate switching. Do not allow this pin to float or rise to 0.3V above  $V_{IN}$ . It should be noted that when the EN pin voltage rises above 1.8V while the input voltage is greater than UVLO, there is 15 $\mu$ s delay before switching starts. During this delay the LM2833 will go through a power on reset state after which the internal soft-start process commences. During soft-start, the error amplifier's reference voltage ramps from 0V to its nominal value of 0.6V in approximately 600 $\mu$ s. This forces the regulator output to ramp up in a controlled fashion, which helps reduce inrush current seen at the input and minimizes output voltage overshoot.

The simplest way to enable the operation of the LM2833 is to connect the EN pin to  $V_{IN}$  which allows self start-up of the LM2833 whenever the input voltage is applied. However, when an input voltage of slow rise time is used to power the application and if both the input voltage and the output voltage are not fully established before the soft-start time elapses, the control circuit will command maximum duty cycle operation of the internal power switch to bring up the output voltage rapidly. When the feedback pin voltage exceeds 0.6V, the duty cycle will have to

reduce from the maximum value accordingly, to maintain regulation. It takes a finite amount of time for this reduction of duty cycle and this can result in a transient in output voltage for a short duration, as shown in Figure 27. In applications where this output voltage overshoot is undesirable, one simple solution is to add a feed-forward capacitor ( $C_{FF}$ ) across the top feedback resistor R1 to speed Gm Amplifier recovery. In practice, a 27nF to 100nF ceramic capacitor is usually a good choice to remove the overshoot completely or limit the overshoot to an insignificant level during startup, as shown in Figure 28. Another more effective solution is to control EN pin voltage by a separate logic signal, and pull the signal high only after  $V_{IN}$  is fully established. In this way, the chip can execute a normal, complete soft start process, minimizing any output voltage overshoot. Under some circumstances at cold temperature, this approach may also be required to minimize any unwanted output voltage transients that may occur when the input voltage rises slowly. For a fast rising input voltage (100 $\mu$ s for example), there is no need to control EN separately or add a feed-forward capacitor since the soft-start can bring up output voltage smoothly as shown in Figure 29.

During startup, the LM2833 gradually increases the switching frequency from 400kHz (LM2833X) or 800kHz (LM2833Z) to the nominal fixed value, as the feedback voltage increases (see FREQUENCY FOLDBACK section for more information). Since the internal corrective ramp signal adjusts its slope dynamically, and is proportional to the switching frequency during startup, a larger output capacitance may be required to insure a smooth output voltage rise, at low programmed output voltage and high output load current.

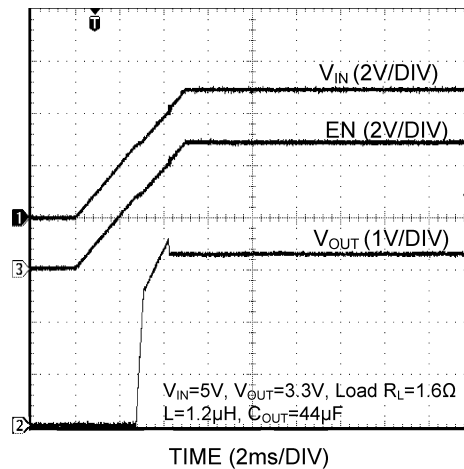


Figure 27. Startup Response to  $V_{IN}$

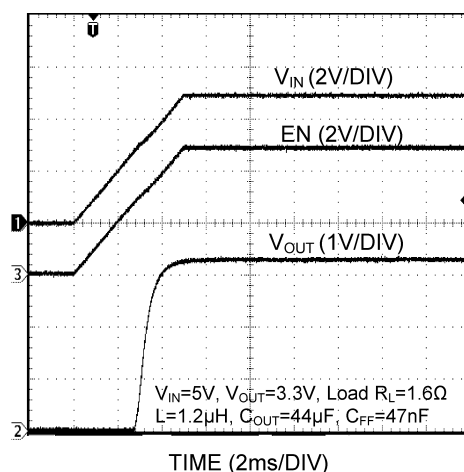
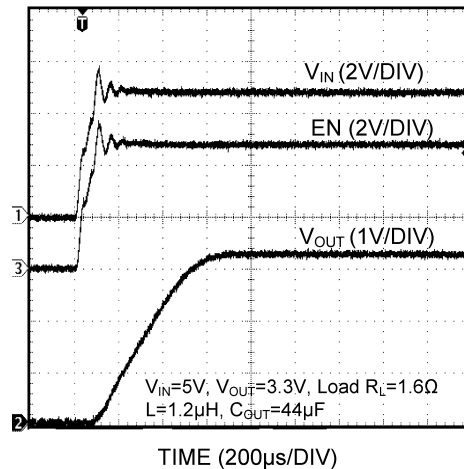


Figure 28. Startup Response to  $V_{IN}$  with  $C_{FF}$



**Figure 29. Startup Response to  $V_{IN}$  with 100µs rise time**

## FREQUENCY FOLDBACK

The LM2833 uses frequency foldback to help limit switch current and power dissipation during start-up, short-circuit and over load conditions by sensing if the feedback voltage is below 0.32V (typical). The LM2833 will reduce the switching frequency from the nominal fixed value (1.5MHz or 3.0MHz) down to 400kHz (LM2833X) or 800kHz (LM2833Z) when the feedback voltage drops to 0V. See [Figure 14](#) in the [Typical Performance Characteristics](#) section.

## LOAD STEP RESPONSE

The LM2833 has a fixed internal loop compensation, which results in a small-signal loop bandwidth highly related to the output voltage level. In general, the loop bandwidth at low voltage is larger than at high voltage due to the increased overall loop gain. The limited bandwidth at high output voltage may pose a challenge when loop step response is concerned. In this case, one effective approach to improving loop step response is to add a feed-forward capacitor ( $C_{FF}$ ) in the range of 27nF to 100nF in parallel with the upper feedback resistor (assuming the lower feedback resistor is 2kΩ), as shown in [Figure 30](#). The feed-forward capacitor introduces a zero-pole pair which helps compensate the loop. The position of the zero-pole pair is a function of the feedback resistors and capacitor:

$$\omega_z = \frac{1}{R1 \times C_{FF}} \text{ (rad/s)} \quad (1)$$

$$\omega_p = \frac{1}{R1 \times C_{FF}} \left(1 + \frac{R1}{R2}\right) \text{ (rad/s)} \quad (2)$$

Note the factor in parenthesis is the ratio of the output voltage to the feedback voltage. As the output voltage gets close to 0.6V, the pole moves towards the zero, tending to cancel it out. Consequently, adding  $C_{FF}$  will have less effect on the step response at lower output voltages.

As an example, [Figure 32](#) shows that at the output voltage of 3.3V, a 47nF of  $C_{FF}$  can boost the loop bandwidth to 117kHz, from the original 23kHz as shown in [Figure 31](#). Correspondingly, the responses to a load step between 0.3A and 3A without and with  $C_{FF}$  are shown in [Figure 33](#) and [Figure 34](#) respectively. The higher loop bandwidth as a result of  $C_{FF}$  reduces the total output excursion by more than half.

Aside from the above approach, increasing the output capacitance is generally also effective to reduce the excursion in output voltage caused by a load step. This approach remains valid for applications where the desired output voltages are close to the feedback voltage.

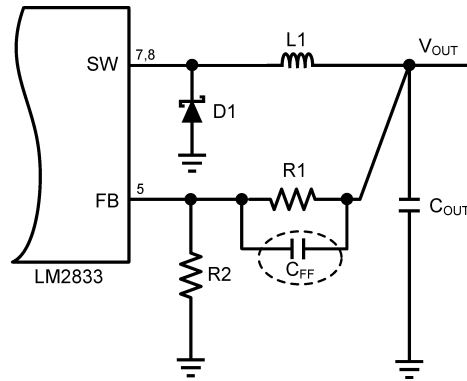


Figure 30. Adding a  $C_{FF}$  Capacitor

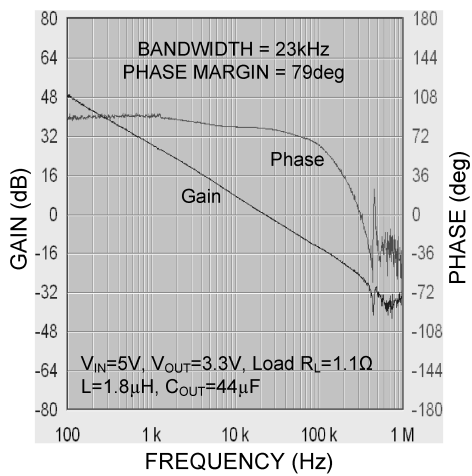


Figure 31. Loop Gain and Phase without  $C_{FF}$

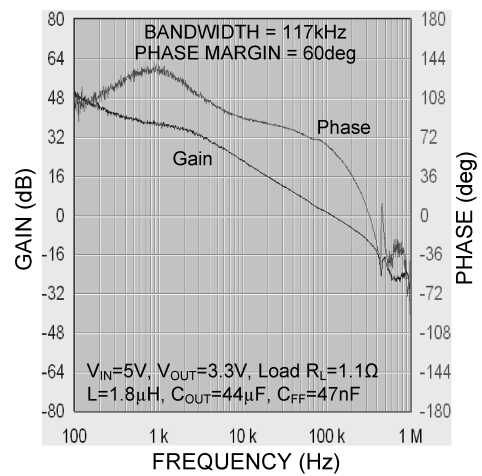


Figure 32. Loop Gain and Phase with  $C_{FF}$

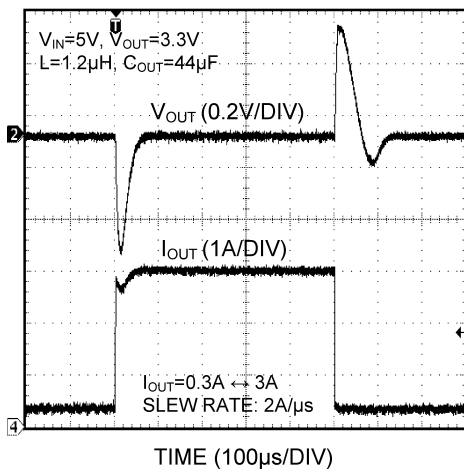


Figure 33. Load Step Response without  $C_{FF}$

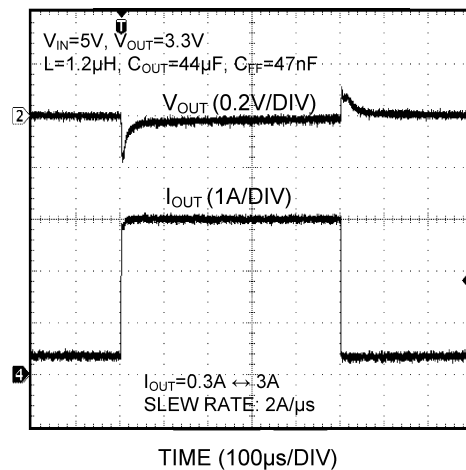


Figure 34. Load Step Response with  $C_{FF}$

## OUTPUT OVER-VOLTAGE PROTECTION

The LM2833 has a built in output over-voltage comparator that compares the FB pin voltage to a threshold voltage that is 15% higher than the internal reference  $V_{REF}$ . Once the FB pin voltage exceeds this threshold level (typically 0.69V), the internal PMOS power switch is turned off, which allows the output voltage to decrease towards regulation.

## UNDER-VOLTAGE LOCKOUT

Under-voltage lockout (UVLO) prevents the LM2833 from operating until the input voltage exceeds 2.70V (typical). The UVLO threshold has approximately 350mV of hysteresis, so the part will operate until  $V_{IN}$  drops below 2.35V (typical). Hysteresis prevents the part from turning off during power up if  $V_{IN}$  is non-monotonic.

## CURRENT LIMIT

The LM2833 uses cycle-by-cycle current limiting to protect the internal power switch. During each switching cycle, a current limit comparator detects if the power switch current exceeds 4.4A (typical), and turns off the switch until the next switching cycle begins.

## THERMAL SHUTDOWN

Thermal shutdown limits total power dissipation by turning off the internal power switch when the IC junction temperature typically exceeds 165°C. After thermal shutdown occurs, the power switch does not turn on again until the junction temperature drops below approximately 150°C.

## Design Guide

### INDUCTOR SELECTION

The Duty Cycle (D) can be approximated quickly using the ratio of output voltage ( $V_{OUT}$ ) to input voltage ( $V_{IN}$ ):

$$D = \frac{V_{OUT}}{V_{IN}} \quad (3)$$

The catch diode (D1) forward voltage drop and the voltage drop across the internal PMOS must be included to calculate a more accurate duty cycle. Calculate D by using the following formula:

$$D = \frac{V_{OUT} + V_D}{V_{IN} + V_D - V_{SW}} \quad (4)$$

$V_{SW}$  can be approximated by:

$$V_{SW} = I_{OUT} \times R_{DS(ON)}$$

where

- $I_{OUT}$  is output load current. (5)

The diode forward drop ( $V_D$ ) can range from 0.3V to 0.7V depending on the quality of the diode. The lower the  $V_D$ , the higher the operating efficiency of the converter.

The inductor value determines the output ripple current ( $\Delta i_L$ , as defined in [Figure 26](#)). Lower inductor values decrease the size of the inductor, but increase the output ripple current. An increase in the inductor value will decrease the output ripple current. In general, the ratio of ripple current to the output current is optimized when it is set between 0.2 and 0.4 for output currents above 2A. This ratio  $r$  is defined as:

$$r = \frac{\Delta i_L}{I_{OUT}} \quad (6)$$

One must ensure that the minimum current limit (3.4A) is not exceeded, so the peak current in the inductor must be calculated. The peak current ( $I_{LPK}$ ) in the inductor is calculated by:

$$I_{LPK} = I_{OUT} + \Delta i_L / 2 \quad (7)$$

When the designed maximum output current is reduced, the ratio  $r$  can be increased. At a current of 0.1A,  $r$  can be made as high as 0.9. The ripple ratio can be increased at lighter loads because the net ripple is actually quite low, and if  $r$  remains constant the inductor value can be made quite large. An equation empirically developed for the maximum ripple ratio at any current below 2A is:

$$r = 0.387 \times I_{OUT}^{-0.3667} \quad (8)$$

Note that this is just a guideline, and it needs to be combined with two important factors for proper selection of inductance values at any operating condition. The first consideration is at output voltage above 2.5V, one needs to ensure that the inductance given by the above guideline should not be less than 1 $\mu$ H for the LM2833X or 0.5 $\mu$ H for the LM2833Z. Since the LM2833 has a fixed internal corrective ramp signal, a very low inductance value at high output voltage will generate a very steep down slope of inductor current, which will result in an insufficient slope compensation, and cause instability known as sub-harmonic oscillation. Another consideration is at low load current, one needs to ensure that the inductance value given by the guideline should not exceed 10 $\mu$ H for the LM2833X and 4.7 $\mu$ H for the LM2833Z, since too much inductance effectively flattens the down slope of the inductor current, and may significantly limit the system bandwidth and phase margin resulting in instability.

The LM2833 operates at frequencies allowing the use of ceramic output capacitors without compromising transient response. Ceramic capacitors allow higher inductor ripple without significantly increasing output ripple. See the [OUTPUT CAPACITOR](#) section for more details on calculating output voltage ripple.

Now that the ripple current is determined, the inductance is calculated by:

$$L = \frac{V_{OUT} + V_D}{I_{OUT} \times r \times f_{SW}} \times (1-D)$$

where

- $f_{SW}$  is the switching frequency. (9)

When selecting an inductor, make sure that it is capable of supporting the peak output current without saturating. Inductor saturation will result in a sudden reduction in inductance and prevent the regulator from operating properly. Because of the operating frequency of the LM2833, ferrite based inductors are preferred to minimize core losses. This presents little restriction since the variety and availability of ferrite-based inductors is large. Lastly, inductors with lower series resistance (DCR) will provide better operating efficiency. For recommended inductor selection, refer to Design Examples.

## INPUT CAPACITOR

An input capacitor is necessary to ensure that  $V_{IN}$  does not drop excessively during switching transients. The primary specifications of the input capacitor are capacitance, voltage rating, RMS current rating, and ESL (Equivalent Series Inductance). The input voltage rating is specifically stated by the capacitor manufacturer. Make sure to check any recommended deratings and also verify if there is any significant change in capacitance at the operating input voltage and the operating temperature. The input capacitor maximum RMS input current rating ( $I_{RMS-IN}$ ) must be greater than:

$$I_{RMS-IN} = I_{OUT} \times \sqrt{D \times \left(1 - D + \frac{r^2}{12}\right)} \quad (10)$$

Neglecting inductor ripple simplifies the above equation to:

$$I_{RMS-IN} = I_{OUT} \times \sqrt{D \times (1 - D)} \quad (11)$$

It can be shown from the above equation that maximum RMS capacitor current occurs when  $D = 0.5$ . Always calculate the RMS at the point where the duty cycle  $D$  is closest to 0.5. The ESL of an input capacitor is usually determined by the effective cross sectional area of the current path. As a rule of thumb, a large leaded capacitor will have high ESL and a 1206 ceramic chip capacitor will have very low ESL. At the operating frequencies of the LM2833, leaded capacitors may have an ESL so large that the resulting impedance ( $2\pi fL$ ) will be higher than that required to provide stable operation. It is strongly recommended to use ceramic capacitors due to their low

ESR and low ESL. A 22 $\mu$ F multilayer ceramic capacitor (MLCC) is a good choice for most applications. In cases where large capacitance is required, use surface mount capacitors such as Tantalum capacitors and place at least a 4.7 $\mu$ F ceramic capacitor close to the  $V_{IN}$  pin. For MLCCs it is recommended to use X7R or X5R dielectrics. Consult capacitor manufacturer datasheet to see how rated capacitance varies over operating conditions.

## OUTPUT CAPACITOR

The output capacitor is selected based upon the desired output ripple and transient response. The initial current of a load transient is provided mainly by the output capacitor. The output ripple of the converter is:

$$\Delta V_{OUT} = \Delta I_L \left( R_{ESR} + \frac{1}{8 \times f_{SW} \times C_{OUT}} \right) \quad (12)$$

When using MLCCs, the ESR is typically so low that the capacitive ripple may dominate. When this occurs, the output ripple will be approximately sinusoidal and 90° phase shifted from the switching action. Given the availability and quality of MLCCs and the expected output voltage of designs using the LM2833, there is really no need to review any other capacitor technologies. Another benefit of ceramic capacitors is their ability to bypass high frequency noise. A certain amount of switching edge noise will couple through parasitic capacitances in the inductor to the output. A ceramic capacitor will bypass this noise while a tantalum will not. Since the output capacitor is one of the two external components that control the stability of the regulator control loop, most applications will require a minimum of 22 $\mu$ F output capacitance. In the case of low output voltage, a larger output capacitance is required to ensure sufficient phase margin. Capacitance can often, but not always, be increased significantly with little detriment to the regulator stability. Like the input capacitor, recommended multilayer ceramic capacitors are X7R or X5R types. Again, verify actual capacitance at the desired operating voltage and temperature. Check the RMS current rating of the capacitor. The maximum RMS current rating of the capacitor is:

$$I_{RMS-OUT} = I_{OUT} \times \frac{r}{\sqrt{12}} \quad (13)$$

One may select a 1206 size MLCC for output capacitor, since its current rating is typically above 1A, more than enough for the requirement.

## CATCH DIODE

The catch diode conducts during the switch off-time. A Schottky diode is recommended for its fast switching time and low forward voltage drop. The catch diode should be chosen such that its current rating is greater than:

$$I_D = I_{OUT} \times (1-D) \quad (14)$$

The reverse breakdown rating of the diode must be at least the maximum input voltage plus appropriate margin. To improve efficiency, choose a Schottky diode with a low forward voltage drop.

## OUTPUT VOLTAGE

The output voltage is set using the following equation where R2 is connected between the FB pin and GND, and R1 is connected between  $V_{OUT}$  and the FB pin. A good value for R2 is 2k $\Omega$ .

$$R1 = \left( \frac{V_{OUT}}{V_{REF}} - 1 \right) \times R2 \quad (15)$$

$$V_{REF} = 0.60V \quad (16)$$

## EFFICIENCY ESTIMATION

The complete LM2833 DC/DC converter efficiency can be calculated in the following manner:

$$\eta = \frac{P_{OUT}}{P_{IN}} \quad (17)$$

Or

$$\eta = \frac{P_{OUT}}{P_{OUT} + P_{LOSS}} \quad (18)$$

Calculations for determining the most significant power losses are shown below. Other losses totaling less than 2% are not discussed.

The main power loss ( $P_{LOSS}$ ) in the converter includes two basic types of losses: switching loss and conduction loss. In addition, there is loss associated with the power required for the internal circuitry of IC. Conduction losses usually dominate at higher output loads, whereas switching losses dominate at lower output loads. The first step in determining the losses is to calculate the duty cycle (D):

$$D = \frac{V_{OUT} + V_D}{V_{IN} + V_D - V_{SW}} \quad (19)$$

$V_{SW}$  is the voltage drop across the internal power switch when it is on, and is equal to:

$$V_{SW} = I_{OUT} \times R_{DS(ON)} \quad (20)$$

$V_D$  is the forward voltage drop across the catch diode. It can be obtained from the diode manufactures Electrical Characteristics section. If the DC voltage drop across the inductor ( $V_{DCR}$ ) is accounted for, the equation becomes:

$$D = \frac{V_{OUT} + V_D + V_{DCR}}{V_{IN} + V_D - V_{SW}} \quad (21)$$

The conduction losses in the catch diode are calculated as follows:

$$P_{DIODE} = V_D \times I_{OUT} \times (1-D) \quad (22)$$

Often this is the single most significant power loss in the circuit. Care should be taken to choose a Schottky diode with a low forward voltage drop.

Another significant external power loss is the conduction loss in the output inductor. The equation can be simplified to:

$$P_{IND} = I_{OUT}^2 \times R_{DCR} \quad (23)$$

The LM2833 conduction loss is mainly associated with the internal power switch:

$$P_{COND} = (I_{OUT}^2 \times D) \times \left(1 + \frac{1}{3} \times \left(\frac{\Delta i_L}{I_{OUT}}\right)^2\right) \times R_{DS(ON)} \quad (24)$$

If the inductor ripple current is fairly small, the conduction losses can be simplified to:

$$P_{COND} = I_{OUT}^2 \times R_{DS(ON)} \times D \quad (25)$$

Switching losses are also associated with the internal power switch. They occur during the switch on and off transition periods, where voltages and currents overlap resulting in power loss. The simplest means to determine this loss is to empirically measuring the rise and fall times (10% to 90%) of the switch at the switch node.

Switching Power Loss is calculated as follows:

$$P_{SWR} = 0.5 \times (V_{IN} \times I_{OUT} \times f_{SW} \times T_{RISE}) \quad (26)$$

$$P_{SWF} = 0.5 \times (V_{IN} \times I_{OUT} \times f_{SW} \times T_{FALL}) \quad (27)$$

$$P_{SW} = P_{SWR} + P_{SWF} \quad (28)$$

The power loss required for operation of the internal circuitry is given by:

$$P_Q = I_Q \times V_{IN} \quad (29)$$

$I_Q$  is the quiescent operating current, and is typically around 3.2mA for the LM2833X, and 4.3mA for the LM2833Z.

An example of efficiency calculation for a typical application is shown in [Table 1](#):

**Table 1. Power Loss Tabulation**

Conditions		Power loss	
$V_{IN}$	5V		
$V_{OUT}$	3.3V		
$I_{OUT}$	3.0A	$P_{OUT}$	9.9W
$V_D$	0.33V	$P_{DIODE}$	277mW
$R_{DS(ON)}$	56m $\Omega$	$P_{COND}$	363mW
$f_{SW}$	1.5MHz		
$T_{RISE}$	10ns	$P_{SW}$	225mW
$T_{FALL}$	10ns		
$IND_{DCR}$	28m $\Omega$	$P_{IND}$	252mW
$I_Q$	3.2mA	$P_Q$	16mW
$\eta$	89.7%		

D is calculated to be 0.72

$$P_{LOSS} = \Sigma ( P_{COND} + P_{SW} + P_Q + P_{IND} + P_{DIODE} ) \quad (30)$$

$$P_{LOSS} = 1.133W \quad (31)$$

## PCB LAYOUT CONSIDERATIONS

When planning layout there are a few things to consider to achieve a clean, regulated output. The most important consideration is the close coupling of the GND connections of the input capacitor C1 and the catch diode D1. These ground ends should be close to one another and be connected to the GND plane with at least two through-holes. Place these components as close to the IC as possible. The next consideration is the location of the GND connection of the output capacitor C2, which should be near the GND connections of C1 and D1. There should be a continuous ground plane on the bottom layer of a two-layer board except under the switching node island. The signal ground SGND (pin 3) and power ground PGND (pin 6) should be tied together and connected to ground plane through vias.

The FB pin is a high impedance node and care should be taken to make the FB trace short to avoid noise pickup that causes inaccurate regulation. The feedback resistors should be placed as close as possible to the IC, with the GND of R2 placed as close as possible to the SGND of the IC. The  $V_{OUT}$  trace to R1 should be routed away from the inductor and any other traces that are switching.

High AC currents flow through the  $V_{IN}$ , SW and  $V_{OUT}$  traces, so they should be as short and wide as possible. Radiated noise can be decreased by choosing a shielded inductor.

The remaining components should also be placed as close as possible to the IC. Please see Application Note AN-1229 [SNVA054](#) for further considerations and the LM2833 demo board as an example of a four-layer layout.

LM2833X Design Example 1

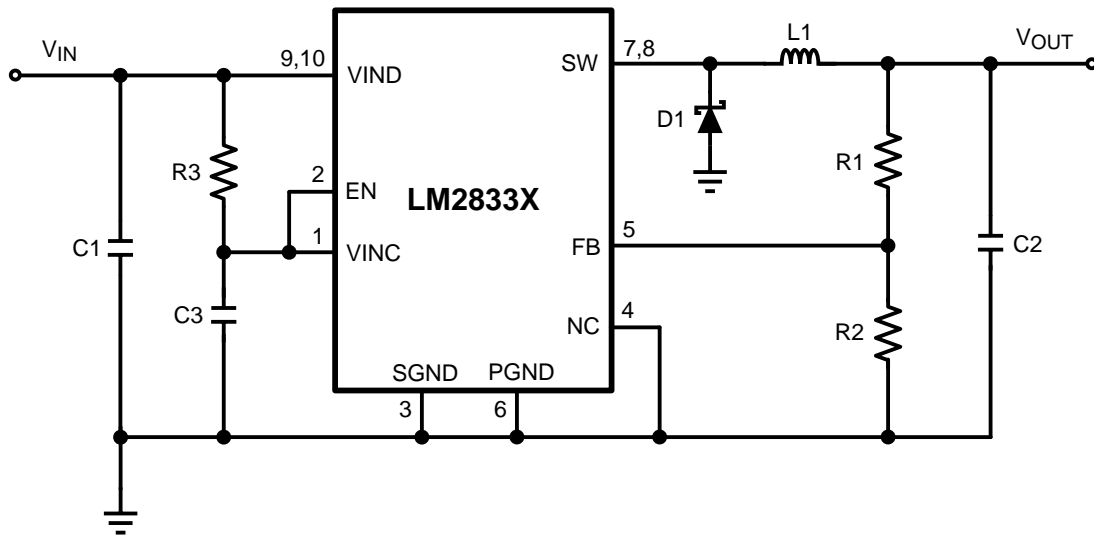


Figure 35. LM2833X (1.5MHz):  $V_{IN} = 3.3V$ , Output = 1.2V/3.0A

Table 2. Bill of Materials

Part ID	Part Value	Manufacturer	Part Number
U1	3.0A Buck Regulator	TI	LM2833X
C1, Input Cap	22 $\mu$ F, 6.3V, X5R	TDK	C3216X5R0J226M
C2, Output Cap	47 $\mu$ F, 6.3V, X5R	TDK	C3216X5R0J476M
C3, Bypass Cap	0.22 $\mu$ F, 10V, X7R	Murata	GRM216R71A224KC01D
D1, Catch Diode	Schottky, 0.33V at 3A, $V_R=30V$	Toshiba	CMS01
L1	1.8 $\mu$ H, 3.6A	TDK	LTF5022T-1R8N3R6
R1	2.0k $\Omega$ , 1%	Vishay	CRCW08052K00FKEA
R2	2.0k $\Omega$ , 1%	Vishay	CRCW08052K00FKEA
R3	10 $\Omega$ , 1%	Vishay	CRCW080510R0FKEA

## LM2833X Design Example 2

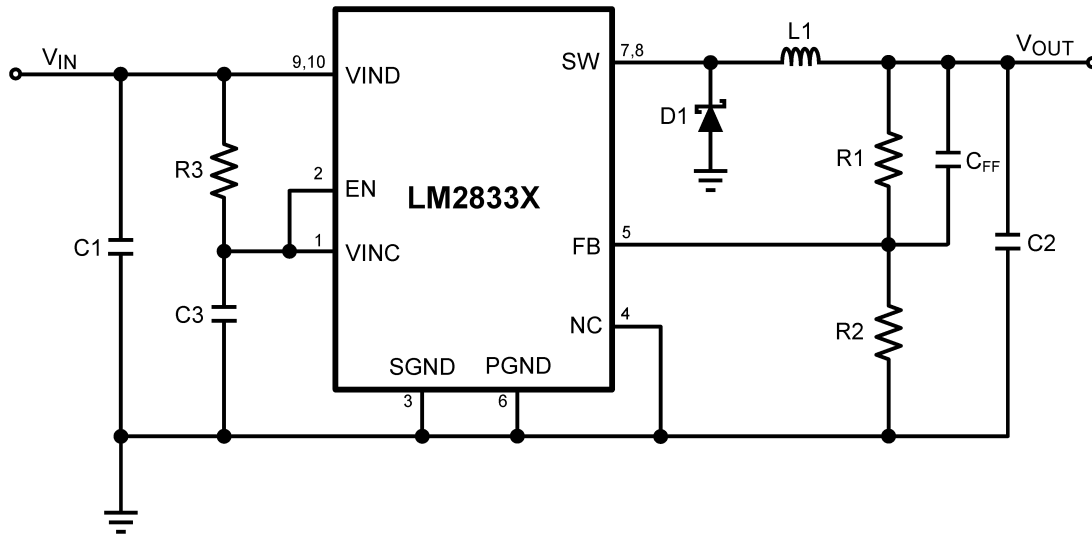


Figure 36. LM2833X (1.5MHz):  $V_{IN} = 5V$ , Output = 3.3V/3.0A

Table 3. Bill of Materials

Part ID	Part Value	Manufacturer	Part Number
U1	3.0A Buck Regulator	TI	LM2833X
C1, Input Cap	22µF, 6.3V, X5R	TDK	C3216X5R0J226M
C2, Output Cap	47µF, 6.3V, X5R	TDK	C3216X5R0J476M
C3, Bypass Cap	0.22µF, 10V, X7R	Murata	GRM216R71A224KC01D
$C_{FF}$ , Feed-forward Cap	47nF, 10V, X7R	AVX	0805ZC473JAZ2A
D1, Catch Diode	Schottky, 0.43V at 3A, $V_R=30V$	Vishay	SSA33L-E3/61T
L1	1.2µH, 4.2A	TDK	LTF5022T-1R2N4R2
R1	10.2kΩ, 1%	Vishay	CRCW080510K2FKEA
R2	2.26kΩ, 1%	Vishay	CRCW08052K26FKEA
R3	10Ω, 1%	Vishay	CRCW080510R0FKEA

LM2833Z Design Example 3

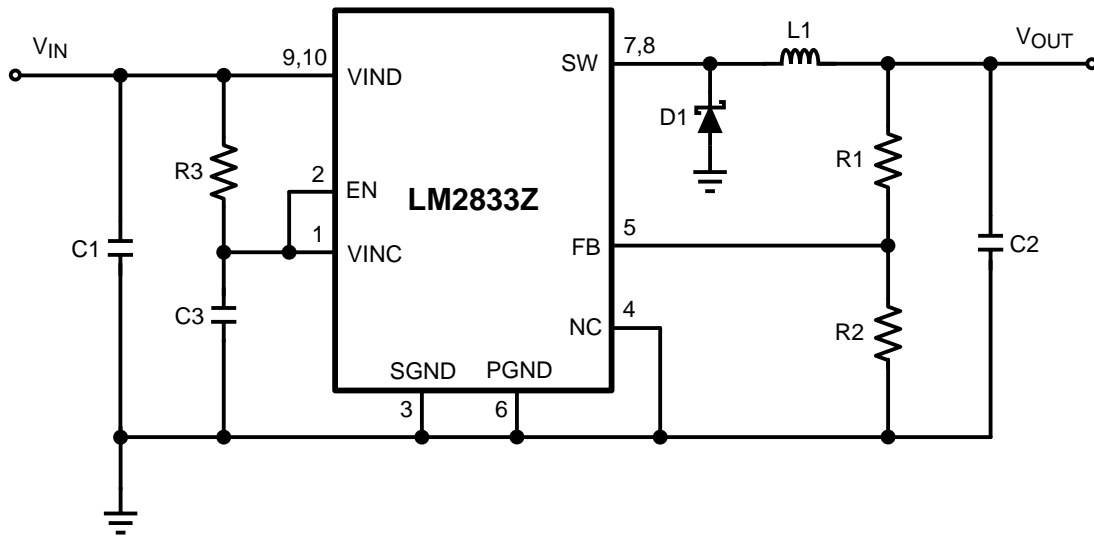


Figure 37. LM2833Z (3MHz):  $V_{IN} = 3.3V$ , Output = 1.2V/3.0A

Table 4. Bill of Materials

Part ID	Part Value	Manufacturer	Part Number
U1	3.0A Buck Regulator	TI	LM2833Z
C1, Input Cap	22μF, 6.3V, X5R	TDK	C3216X5R0J226M
C2, Output Cap	47μF, 6.3V, X5R	TDK	C3216X5R0J476M
C3, Bypass Cap	0.22μF, 10V, X7R	Murata	GRM216R71A224KC01D
D1, Catch Diode	Schottky, 0.33V at 3A, $V_R=30V$	Toshiba	CMS01
L1	1.0μH, 4.0A	Taiyo Yuden	NP04SZB1R0N
R1	2.0kΩ, 1%	Vishay	CRCW08052K00FKEA
R2	2.0kΩ, 1%	Vishay	CRCW08052K00FKEA
R3	10Ω, 1%	Vishay	CRCW080510R0FKEA

## LM2833Z Design Example 4

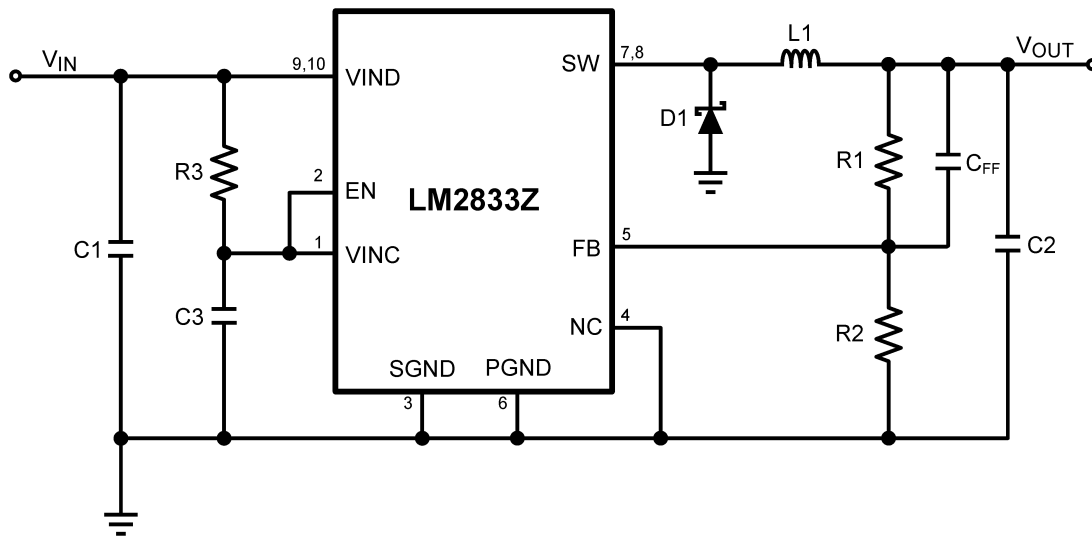


Figure 38. LM2833Z (3MHz):  $V_{IN} = 5V$ , Output = 3.3V/3.0A

Table 5. Bill of Materials

Part ID	Part Value	Manufacturer	Part Number
U1	3.0A Buck Regulator	TI	LM2833Z
C1, Input Cap	22µF, 6.3V, X5R	TDK	C3216X5R0J226M
C2, Output Cap	47µF, 6.3V, X5R	TDK	C3216X5R0J476M
C3, Bypass Cap	0.22µF, 10V, X7R	Murata	GRM216R71A224KC01D
$C_{FF}$ , Feed-forward Cap	47nF, 10V, X7R	AVX	0805ZC473JAZ2A
D1, Catch Diode	Schottky, 0.43V at 3A, $V_R=30V$	Vishay	SSA33L-E3/61T
L1	1.0µH, 4.0A	Taiyo Yuden	NP04SZB1R0N
R1	10.2kΩ, 1%	Vishay	CRCW080510K2FKEA
R2	2.26kΩ, 1%	Vishay	CRCW08052K26FKEA
R3	10Ω, 1%	Vishay	CRCW080510R0FKEA

---

**REVISION HISTORY**

<b>Changes from Revision D (April 2013) to Revision E</b>	<b>Page</b>
• Changed layout of National Data Sheet to TI format .....	<a href="#">22</a>

---

**PACKAGING INFORMATION**

Orderable Device	Status (1)	Package Type	Package Drawing	Pins	Package Qty	Eco Plan (2)	Lead/Ball Finish (6)	MSL Peak Temp (3)	Op Temp (°C)	Device Marking (4/5)	Samples
LM2833XMY/NOPB	ACTIVE	MSOP-PowerPAD	DGQ	10	1000	Green (RoHS & no Sb/Br)	CU SN	Level-3-260C-168 HR	-40 to 125	SPYB	<a href="#">Samples</a>
LM2833XSD/NOPB	ACTIVE	WSON	DSC	10	1000	Green (RoHS & no Sb/Br)	CU SN	Level-1-260C-UNLIM	-40 to 125	2833X	<a href="#">Samples</a>
LM2833ZMY/NOPB	ACTIVE	MSOP-PowerPAD	DGQ	10	1000	Green (RoHS & no Sb/Br)	CU SN	Level-3-260C-168 HR	-40 to 125	SPZB	<a href="#">Samples</a>
LM2833ZMYX/NOPB	ACTIVE	MSOP-PowerPAD	DGQ	10	3500	Green (RoHS & no Sb/Br)	CU SN	Level-3-260C-168 HR	-40 to 125	SPZB	<a href="#">Samples</a>
LM2833ZSD/NOPB	ACTIVE	WSON	DSC	10	1000	Green (RoHS & no Sb/Br)	CU SN	Level-1-260C-UNLIM	-40 to 125	2833Z	<a href="#">Samples</a>

(1) The marketing status values are defined as follows:

**ACTIVE:** Product device recommended for new designs.

**LIFEBUY:** TI has announced that the device will be discontinued, and a lifetime-buy period is in effect.

**NRND:** Not recommended for new designs. Device is in production to support existing customers, but TI does not recommend using this part in a new design.

**PREVIEW:** Device has been announced but is not in production. Samples may or may not be available.

**OBSOLETE:** TI has discontinued the production of the device.

(2) Eco Plan - The planned eco-friendly classification: Pb-Free (RoHS), Pb-Free (RoHS Exempt), or Green (RoHS & no Sb/Br) - please check <http://www.ti.com/productcontent> for the latest availability information and additional product content details.

**TBD:** The Pb-Free/Green conversion plan has not been defined.

**Pb-Free (RoHS):** TI's terms "Lead-Free" or "Pb-Free" mean semiconductor products that are compatible with the current RoHS requirements for all 6 substances, including the requirement that lead not exceed 0.1% by weight in homogeneous materials. Where designed to be soldered at high temperatures, TI Pb-Free products are suitable for use in specified lead-free processes.

**Pb-Free (RoHS Exempt):** This component has a RoHS exemption for either 1) lead-based flip-chip solder bumps used between the die and package, or 2) lead-based die adhesive used between the die and leadframe. The component is otherwise considered Pb-Free (RoHS compatible) as defined above.

**Green (RoHS & no Sb/Br):** TI defines "Green" to mean Pb-Free (RoHS compatible), and free of Bromine (Br) and Antimony (Sb) based flame retardants (Br or Sb do not exceed 0.1% by weight in homogeneous material)

(3) MSL, Peak Temp. - The Moisture Sensitivity Level rating according to the JEDEC industry standard classifications, and peak solder temperature.

(4) There may be additional marking, which relates to the logo, the lot trace code information, or the environmental category on the device.

(5) Multiple Device Markings will be inside parentheses. Only one Device Marking contained in parentheses and separated by a "~" will appear on a device. If a line is indented then it is a continuation of the previous line and the two combined represent the entire Device Marking for that device.

<sup>(6)</sup> Lead/Ball Finish - Orderable Devices may have multiple material finish options. Finish options are separated by a vertical ruled line. Lead/Ball Finish values may wrap to two lines if the finish value exceeds the maximum column width.

**Important Information and Disclaimer:**The information provided on this page represents TI's knowledge and belief as of the date that it is provided. TI bases its knowledge and belief on information provided by third parties, and makes no representation or warranty as to the accuracy of such information. Efforts are underway to better integrate information from third parties. TI has taken and continues to take reasonable steps to provide representative and accurate information but may not have conducted destructive testing or chemical analysis on incoming materials and chemicals. TI and TI suppliers consider certain information to be proprietary, and thus CAS numbers and other limited information may not be available for release.

In no event shall TI's liability arising out of such information exceed the total purchase price of the TI part(s) at issue in this document sold by TI to Customer on an annual basis.

**TAPE AND REEL INFORMATION**

**QUADRANT ASSIGNMENTS FOR PIN 1 ORIENTATION IN TAPE**


\*All dimensions are nominal

Device	Package Type	Package Drawing	Pins	SPQ	Reel Diameter (mm)	Reel Width W1 (mm)	A0 (mm)	B0 (mm)	K0 (mm)	P1 (mm)	W (mm)	Pin1 Quadrant
LM2833XMY/NOPB	MSOP-Power PAD	DGQ	10	1000	178.0	12.4	5.3	3.4	1.4	8.0	12.0	Q1
LM2833XSD/NOPB	WSO	DSC	10	1000	178.0	12.4	3.3	3.3	1.0	8.0	12.0	Q1
LM2833ZMY/NOPB	MSOP-Power PAD	DGQ	10	1000	178.0	12.4	5.3	3.4	1.4	8.0	12.0	Q1
LM2833ZMYX/NOPB	MSOP-Power PAD	DGQ	10	3500	330.0	12.4	5.3	3.4	1.4	8.0	12.0	Q1
LM2833ZSD/NOPB	WSO	DSC	10	1000	178.0	12.4	3.3	3.3	1.0	8.0	12.0	Q1

**TAPE AND REEL BOX DIMENSIONS**


\*All dimensions are nominal

Device	Package Type	Package Drawing	Pins	SPQ	Length (mm)	Width (mm)	Height (mm)
LM2833XMY/NOPB	MSOP-PowerPAD	DGQ	10	1000	210.0	185.0	35.0
LM2833XSD/NOPB	WSON	DSC	10	1000	210.0	185.0	35.0
LM2833ZMY/NOPB	MSOP-PowerPAD	DGQ	10	1000	210.0	185.0	35.0
LM2833ZMYX/NOPB	MSOP-PowerPAD	DGQ	10	3500	367.0	367.0	35.0
LM2833ZSD/NOPB	WSON	DSC	10	1000	210.0	185.0	35.0





## IMPORTANT NOTICE AND DISCLAIMER

TI PROVIDES TECHNICAL AND RELIABILITY DATA (INCLUDING DATASHEETS), DESIGN RESOURCES (INCLUDING REFERENCE DESIGNS), APPLICATION OR OTHER DESIGN ADVICE, WEB TOOLS, SAFETY INFORMATION, AND OTHER RESOURCES "AS IS" AND WITH ALL FAULTS, AND DISCLAIMS ALL WARRANTIES, EXPRESS AND IMPLIED, INCLUDING WITHOUT LIMITATION ANY IMPLIED WARRANTIES OF MERCHANTABILITY, FITNESS FOR A PARTICULAR PURPOSE OR NON-INFRINGEMENT OF THIRD PARTY INTELLECTUAL PROPERTY RIGHTS.



These resources are intended for skilled developers designing with TI products. You are solely responsible for (1) selecting the appropriate TI products for your application, (2) designing, validating and testing your application, and (3) ensuring your application meets applicable standards, and any other safety, security, or other requirements. These resources are subject to change without notice. TI grants you permission to use these resources only for development of an application that uses the TI products described in the resource. Other reproduction and display of these resources is prohibited. No license is granted to any other TI intellectual property right or to any third party intellectual property right. TI disclaims responsibility for, and you will fully indemnify TI and its representatives against, any claims, damages, costs, losses, and liabilities arising out of your use of these resources.

TI's products are provided subject to TI's Terms of Sale ([www.ti.com/legal/termsofsale.html](http://www.ti.com/legal/termsofsale.html)) or other applicable terms available either on [ti.com](http://ti.com) or provided in conjunction with such TI products. TI's provision of these resources does not expand or otherwise alter TI's applicable warranties or warranty disclaimers for TI products.

Mailing Address: Texas Instruments, Post Office Box 655303, Dallas, Texas 75265  
Copyright © 2019, Texas Instruments Incorporated

## Looking for pricing, stock, or lifecycle information?

Click below to explore more details on WIN SOURCE:

-  [View LM2833XSD/NOPB on WIN SOURCE](#)
-  [Texas Instruments](#) Information

## Optimize Your Supply Chain with WIN SOURCE Solutions

-  Global Sourcing Solution
-  Obsolete Management
-  Cost Control Management
-  Shortage Management
-  Alternative Solution
-  Excess Inventory Management