



**THE DATASHEET OF  
LM2903DGKRG4**



## LM393, LM293, LM193, LM2903 Dual Differential Comparators

### 1 Features

- Single-Supply or Dual Supplies
- Wide Range of Supply Voltage
  - Maximum Rating: 2 V to 36 V
  - Tested to 30 V: Non-V Devices
  - Tested to 32 V: V-Suffix Devices
- Low Supply-Current Drain Independent of Supply Voltage: 0.4 mA (Typical) Per Comparator
- Low Input Bias Current: 25 nA (Typical)
- Low Input Offset Current: 3 nA (Typical) (LM193)
- Low Input Offset Voltage: 2 mV (Typical)
- Common-Mode Input Voltage Range Includes Ground
- Differential Input Voltage Range Equal to Maximum-Rated Supply Voltage:  $\pm 36$  V
- Low Output Saturation Voltage
- Output Compatible With TTL, MOS, and CMOS
- On Products Compliant to MIL-PRF-38535, All Parameters Are Tested Unless Otherwise Noted. On All Other Products, Production Processing Does Not Necessarily Include Testing of All Parameters.

### 2 Applications

- Chemical or Gas Sensor
- Desktop PC
- Motor Control: AC Induction
- Weigh Scale

### 3 Description

These devices consist of two independent voltage comparators that are designed to operate from a single power supply over a wide range of voltages. Operation from dual supplies also is possible as long as the difference between the two supplies is 2 V to 36 V, and  $V_{CC}$  is at least 1.5 V more positive than the input common-mode voltage. Current drain is independent of the supply voltage. The outputs can be connected to other open-collector outputs to achieve wired-AND relationships.

The LM193 device is characterized for operation from  $-55^{\circ}\text{C}$  to  $+125^{\circ}\text{C}$ . The LM293 and LM293A devices are characterized for operation from  $-25^{\circ}\text{C}$  to  $+85^{\circ}\text{C}$ . The LM393 and LM393A devices are characterized for operation from  $0^{\circ}\text{C}$  to  $70^{\circ}\text{C}$ . The LM2903, LM2903V, and LM2903AV devices are characterized for operation from  $-40^{\circ}\text{C}$  to  $+125^{\circ}\text{C}$ .

#### Device Information<sup>(1)</sup>

| PART NUMBER  | PACKAGE   | BODY SIZE (NOM)    |
|--|-----------|--------------------|
| LM193D, LM293D, LM293AD, LM393D, LM393AD, LM2903D, LM2903QD, LM2903VQD, LM2903AVQD | SOIC (8)  | 4.90 mm x 6.00 mm  |
| LM293DGK, LM293ADGK, LM393DGK, LM393ADGK, LM2903DGK                                | VSSOP (8) | 3.00 mm x 5.00 mm  |
| LM293P, LM393P, LM393AP, LM2903P   | PDIP (8)  | 9.50 mm x 6.30 mm  |
| LM393PS, LM393APS, LM2903PS  | SO (8)    | 6.20 mm x 7.90 mm  |
| LM393PW, LM393APW, LM2903PW, LM2903VQPW, LM2903AVQPW                               | TSSOP (8) | 6.40 mm x 3.00 mm  |
| LM193JG  | CDIP (8)  | 10.00 mm x 7.00 mm |
| LM193FK  | LCCC (20) | 9.00 mm x 9.00 mm  |

(1) For all available packages, see the orderable addendum at the end of the data sheet.

#### Simplified Schematic



## Table of Contents

|  |           |  |           |
|--|-----------|--|-----------|
| <b>1 Features</b> .....  | <b>1</b>  | 7.1 Overview .....   | 10        |
| <b>2 Applications</b> .....  | <b>1</b>  | 7.2 Functional Block Diagram .....                                   | 10        |
| <b>3 Description</b> .....   | <b>1</b>  | 7.3 Feature Description .....  | 10        |
| <b>4 Revision History</b> .....  | <b>2</b>  | 7.4 Device Functional Modes .....                                    | 10        |
| <b>5 Pin Configuration and Functions</b> .....   | <b>3</b>  | <b>8 Application and Implementation</b> .....                        | <b>11</b> |
| <b>6 Specifications</b> .....  | <b>4</b>  | 8.1 Application Information .....                                    | 11        |
| 6.1 Absolute Maximum Ratings .....   | 4         | 8.2 Typical Application .....  | 11        |
| 6.2 ESD Ratings .....  | 4         | <b>9 Power Supply Recommendations</b> .....                          | <b>14</b> |
| 6.3 Recommended Operating Conditions .....   | 4         | <b>10 Layout</b> .....   | <b>14</b> |
| 6.4 Thermal Information LM293, LM393, LM2903 (all<br>suffixes) .....                   | 5         | 10.1 Layout Guidelines .....   | 14        |
| 6.5 Thermal Information LM193 .....  | 5         | 10.2 Layout Example .....  | 14        |
| 6.6 Electrical Characteristics for LM193, LM293, and<br>LM393 (without A suffix) ..... | 6         | <b>11 Device and Documentation Support</b> .....                     | <b>15</b> |
| 6.7 Electrical Characteristics for LM293A and LM393A .                                 | 7         | 11.1 Related Links .....   | 15        |
| 6.8 Electrical Characteristics for LM2903, LM2903V, and<br>LM2903AV .....              | 8         | 11.2 Receiving Notification of Documentation Updates                 | 15        |
| 6.9 Switching Characteristics (all devices) .....                                      | 8         | 11.3 Community Resources .....                                       | 15        |
| 6.10 Typical Characteristics .....   | 9         | 11.4 Trademarks .....  | 15        |
| <b>7 Detailed Description</b> .....  | <b>10</b> | 11.5 Electrostatic Discharge Caution .....                           | 15        |
|  |           | 11.6 Glossary .....  | 15        |
|  |           | <b>12 Mechanical, Packaging, and Orderable<br/>Information</b> ..... | <b>15</b> |

## 4 Revision History

NOTE: Page numbers for previous revisions may differ from page numbers in the current version.

| <b>Changes from Revision Y (June 2015) to Revision Z</b>                     | <b>Page</b> |
|--|-------------|
| • Changed text from: LM139 to: LM193 .....                                   | 1           |
| • Changed data sheet title .....   | 1           |
| • Added LM2903 part numbers .....  | 1           |
| • Added LM2903 part numbers .....  | 1           |
| • Changed VCC and ground pin function from: input to: – .....                | 3           |
| • Changed $T_J$ to $T_A$ , split part numbers .....                          | 4           |
| • Changed 25C to -25C due to typo in LM293 Temperature Tablenote .....       | 6           |
| • Remove text "four comparators" from $I_{CC}$ .....                         | 7           |
| • Changed 25C to -25C due to typo in LM293 Temperature Tablenote .....       | 7           |
| • Changed input error in <i>Feature Description</i> text .....               | 10          |
| • Changed Design Paramter maximum current from: 20 mA to: 4 mA .....         | 11          |
| • Changed and revised text in <i>Response Time</i> section .....             | 12          |
| • Added <i>Receiving Notification of Documentation Updates</i> section ..... | 15          |

| <b>Changes from Revision X (January 2014) to Revision Y</b>  | <b>Page</b> |
|--|-------------|
| • Added <i>ESD Ratings</i> table, <i>Feature Description</i> section, <i>Device Functional Modes</i> , <i>Application and Implementation</i> section, <i>Power Supply Recommendations</i> section, <i>Layout</i> section, <i>Device and Documentation Support</i> section, and <i>Mechanical, Packaging, and Orderable Information</i> section. .... | 1           |

---

**Changes from Revision W (July 2010) to Revision X****Page**

|   |    |
|---|----|
| • Updated document to new TI data sheet format - no specification changes. .... | 1  |
| • Updated <i>Features</i> .....   | 1  |
| • Removed <i>Ordering Information</i> table .....                               | 3  |
| • Added ESD warning. ....   | 15 |

---

## 5 Pin Configuration and Functions

D, DGK, JG, P, PS, or PW  
8-Pin SOIC, VSSOP, CDIP, PDIP, SO, or TSSOP  
Top View



FK Package  
20-Pin LCCC  
Top View



NC – No internal connection

### Pin Functions

| NAME            | PIN                                    |      | I/O    | DESCRIPTION                         |
|-----------------|--|------|--------|-------------------------------------|
|                 | SOIC, VSSOP, CDIP, PDIP, SO, and TSSOP | LCCC |        |                                     |
| 1OUT            | 1                                      | 2    | Output | Output pin of comparator 1          |
| 1IN-            | 2                                      | 5    | Input  | Negative input pin of comparator 1  |
| 1IN+            | 3                                      | 7    | Input  | Positive input pin of comparator 1  |
| GND             | 4                                      | 10   | —      | Ground                              |
| 2IN+            | 5                                      | 12   | Input  | Positive input pin of comparator 2  |
| 2IN-            | 6                                      | 15   | Input  | Negative input pin of comparator 2  |
| 2OUT            | 7                                      | 17   | Output | Output pin of comparator 2          |
| V <sub>CC</sub> | 8                                      | 20   | —      | Supply Pin                          |
| NC              | —                                      | 1    | N/A    | No Connect (No Internal Connection) |
|                 |  | 3    |        |                                     |
|                 |  | 4    |        |                                     |
|                 |  | 6    |        |                                     |
|                 |  | 8    |        |                                     |
|                 |  | 9    |        |                                     |
|                 |  | 11   |        |                                     |
|                 |  | 13   |        |                                     |
|                 |  | 14   |        |                                     |
|                 |  | 16   |        |                                     |
|                 |  | 18   |        |                                     |
|                 |  | 19   |        |                                     |

## 6 Specifications

### 6.1 Absolute Maximum Ratings

over operating free-air temperature range (unless otherwise noted)<sup>(1)</sup>

|                  |   | MIN        | MAX | UNIT |
|------------------|---|------------|-----|------|
| V <sub>CC</sub>  | Supply voltage <sup>(2)</sup>                             |            | 36  | V    |
| V <sub>ID</sub>  | Differential input voltage <sup>(3)</sup>                 |            | ±36 | V    |
| V <sub>I</sub>   | Input voltage (either input)                              | −0.3       | 36  | V    |
| I <sub>IK</sub>  | Input current <sup>(4)</sup>                              |            | −50 | mA   |
| V <sub>O</sub>   | Output voltage  |            | 36  | V    |
| I <sub>O</sub>   | Output current  |            | 20  | mA   |
|                  | Duration of output short circuit to ground <sup>(5)</sup> | Unlimited  |     |      |
| T <sub>J</sub>   | Operating virtual-junction temperature                    |            | 150 | °C   |
|                  | Case temperature for 60 s                                 | FK package | 260 | °C   |
|                  | Lead temperature 1.6 mm (1/16 in) from case for 60 s      | JG package | 300 | °C   |
| T <sub>stg</sub> | Storage temperature                                       | −65        | 150 | °C   |

- (1) Stresses beyond those listed under *Absolute Maximum Ratings* may cause permanent damage to the device. These are stress ratings only, and functional operation of the device at these or any other conditions beyond those indicated under *Recommended Operating Conditions* is not implied. Exposure to absolute-maximum-rated conditions for extended periods may affect device reliability.
- (2) All voltage values, except differential voltages, are with respect to network ground.
- (3) Differential voltages are at IN+ with respect to IN−.
- (4) Input current flows thorough parasitic diode to ground and will turn on parasitic transistors that will increase ICC and may cause output to be incorrect. Normal operation resumes when input current is removed.
- (5) Short circuits from outputs to V<sub>CC</sub> can cause excessive heating and eventual destruction.

### 6.2 ESD Ratings

|                    |                         | VALUE  | UNIT |
|--------------------|-------------------------|--|------|
| V <sub>(ESD)</sub> | Electrostatic discharge | Human body model (HBM), per ANSI/ESDA/JEDEC JS-001 <sup>(1)</sup>              | 1000 |
|                    |                         | Charged-device model (CDM), per JEDEC specification JESD22-C101 <sup>(2)</sup> | 750  |

- (1) JEDEC document JEP155 states that 500-V HBM allows safe manufacturing with a standard ESD control process.
- (2) JEDEC document JEP157 states that 250-V CDM allows safe manufacturing with a standard ESD control process.

### 6.3 Recommended Operating Conditions

over operating free-air temperature range (unless otherwise noted)

|                 |                       | MIN                       | MAX | UNIT |    |
|-----------------|-----------------------|---------------------------|-----|------|----|
| V <sub>CC</sub> | Supply voltage        | non-V devices             | 2   | 30   | V  |
|                 |                       | V devices                 | 2   | 32   | V  |
| T <sub>A</sub>  | Operating temperature | LM193                     | −55 | 125  | °C |
|                 |                       | LM293, LM293A             | −25 | 85   | °C |
|                 |                       | LM393, LM393A             | 0   | 70   | °C |
|                 |                       | LM2903, LM2903V, LM2903AV | −40 | 125  | °C |

#### 6.4 Thermal Information LM293, LM393, LM2903 (all suffixes)

| THERMAL METRIC <sup>(1)</sup>                                   | LM293, LM393, LM2903 |             |          |         |            | UNIT |
|---|----------------------|-------------|----------|---------|------------|------|
|   | D (SOIC)             | DGK (VSSOP) | P (PDIP) | PS (SO) | PW (TSSOP) |      |
|   | 8 PINS               | 8 PINS      | 8 PINS   | 8 PINS  | 8 PINS     |      |
| R <sub>θJA</sub> Junction-to-ambient thermal resistance         | 131.8                | 199.4       | 73.7     | 139     | 194.1      | °C/W |
| R <sub>θJC(top)</sub> Junction-to-case (top) thermal resistance | 78.4                 | 90.2        | 62.6     | 98.9    | 77         | °C/W |
| R <sub>θJB</sub> Junction-to-board thermal resistance           | 72.2                 | 120.8       | 50.8     | 83.7    | 123        | °C/W |
| Ψ <sub>JT</sub> Junction-to-top characterization parameter      | 26.5                 | 21.5        | 39.2     | 47.4    | 13.1       | °C/W |
| Ψ <sub>JB</sub> Junction-to-board characterization parameter    | 71.7                 | 119.1       | 50.7     | 83      | 121.3      | °C/W |

(1) For more information about traditional and new thermal metrics, see the [Semiconductor and IC Package Thermal Metrics](#) application report.

#### 6.5 Thermal Information LM193

| THERMAL METRIC <sup>(1)</sup>                                   | LM193     |           | UNIT |
|---|-----------|-----------|------|
|   | JG (GDIP) | FK (LCCC) |      |
|   | 8 PINS    | 20 PINS   |      |
| R <sub>θJC(top)</sub> Junction-to-case (top) thermal resistance | 14.5      | 5.61      | °C/W |

(1) For more information about traditional and new thermal metrics, see the [Semiconductor and IC Package Thermal Metrics](#) application report.

## 6.6 Electrical Characteristics for LM193, LM293, and LM393 (without A suffix)

 at specified free-air temperature,  $V_{CC} = 5\text{ V}$  (unless otherwise noted)

| PARAMETER  | TEST CONDITIONS  | $T_A$ <sup>(1)</sup>   | LM193               |      |     | LM293<br>LM393      |      |               | UNIT |
|--|--|------------------------|---------------------|------|-----|---------------------|------|---------------|------|
|  |  |                        | MIN                 | TYP  | MAX | MIN                 | TYP  | MAX           |      |
| $V_{IO}$ Input offset voltage                            | $V_{CC} = 5\text{ V to }30\text{ V}$ ,<br>$V_{IC} = V_{ICR\text{ min}}$ ,<br>$V_O = 1.4\text{ V}$                    | 25°C                   | 2                   | 5    |     | 2                   | 5    | mV            |      |
|  |  | Full range             |                     |      | 9   |                     | 9    |               |      |
| $I_{IO}$ Input offset current                            | $V_O = 1.4\text{ V}$   | 25°C                   | 3                   | 25   |     | 5                   | 50   | nA            |      |
|  |  | Full range             |                     | 100  |     | 250                 |      |               |      |
| $I_{IB}$ Input bias current                              | $V_O = 1.4\text{ V}$   | 25°C                   | -25                 | -100 |     | -25                 | -250 | nA            |      |
|  |  | Full range             |                     | -300 |     | -400                |      |               |      |
| $V_{ICR}$ Common-mode input-voltage range <sup>(2)</sup> |  | 25°C                   | 0 to $V_{CC} - 1.5$ |      |     | 0 to $V_{CC} - 1.5$ |      | V             |      |
|  |  | Full range             | 0 to $V_{CC} - 2$   |      |     | 0 to $V_{CC} - 2$   |      |               |      |
| $A_{VD}$ Large-signal differential-voltage amplification | $V_{CC} = 15\text{ V}$ ,<br>$V_O = 1.4\text{ V to }11.4\text{ V}$ ,<br>$R_L \geq 15\text{ k}\Omega\text{ to }V_{CC}$ | 25°C                   | 50                  | 200  |     | 50                  | 200  | V/mV          |      |
| $I_{OH}$ High-level output current                       | $V_{OH} = 5\text{ V}$  | $V_{ID} = 1\text{ V}$  | 25°C                | 0.1  |     | 0.1                 | 50   | nA            |      |
|  | $V_{OH} = 30\text{ V}$   | $V_{ID} = 1\text{ V}$  | Full range          | 1    |     | 1                   |      | $\mu\text{A}$ |      |
| $V_{OL}$ Low-level output voltage                        | $I_{OL} = 4\text{ mA}$ , $V_{ID} = -1\text{ V}$  | 25°C                   | 150                 | 400  |     | 130                 | 400  | mV            |      |
|  |  | Full range             | 700                 |      | 700 |                     |      |               |      |
| $I_{OL}$ Low-level output current                        | $V_{OL} = 1.5\text{ V}$ , $V_{ID} = -1\text{ V}$   | 25°C                   | 6                   |      | 6   |                     | mA   |               |      |
| $I_{CC}$ Supply current                                  | $R_L = \infty$   | $V_{CC} = 5\text{ V}$  | 25°C                | 0.8  | 1   | 0.45                | 1    | mA            |      |
|  |  | $V_{CC} = 30\text{ V}$ | Full range          | 2.5  |     | 0.55 2.5            |      |               |      |

- (1) Full range (minimum or maximum) for LM193 is  $-55^\circ\text{C}$  to  $125^\circ\text{C}$ , for LM293 is  $-25^\circ\text{C}$  to  $85^\circ\text{C}$ , and for LM393 is  $0^\circ\text{C}$  to  $70^\circ\text{C}$ . All characteristics are measured with zero common-mode input voltage, unless otherwise specified.
- (2) The voltage at either input should not be allowed to go negative by more than 0.3 V otherwise output may be incorrect and excessive input current can flow. The upper end of the common-mode voltage range is limited by  $V_{CC} - 2\text{V}$ . However only one input needs to be in the valid common mode range, the other input can go up the maximum  $V_{CC}$  level and the comparator provides a proper output state. Either or both inputs can go to maximum  $V_{CC}$  level without damage.

## 6.7 Electrical Characteristics for LM293A and LM393A

 at specified free-air temperature,  $V_{CC} = 5\text{ V}$  (unless otherwise noted)

| PARAMETER  | TEST CONDITIONS  | $T_A$ <sup>(1)</sup> | LM293A<br>LM393A |                        |      | UNIT          |
|--|--|----------------------|------------------|------------------------|------|---------------|
|  |  |                      | MIN              | TYP                    | MAX  |               |
| $V_{IO}$ Input offset voltage                            | $V_{CC} = 5\text{ V to }30\text{ V}$ , $V_O = 1.4\text{ V}$<br>$V_{IC} = V_{ICR(\min)}$                      | 25°C                 |                  | 1                      | 2    | mV            |
|  |  | Full range           |                  |                        | 4    |               |
| $I_{IO}$ Input offset current                            | $V_O = 1.4\text{ V}$   | 25°C                 |                  | 5                      | 50   | nA            |
|  |  | Full range           |                  |                        | 150  |               |
| $I_{IB}$ Input bias current                              | $V_O = 1.4\text{ V}$   | 25°C                 |                  | -25                    | -250 | nA            |
|  |  | Full range           |                  |                        | -400 |               |
| $V_{ICR}$ Common-mode input-voltage range <sup>(2)</sup> |  | 25°C                 |                  | 0 to<br>$V_{CC} - 1.5$ |      | V             |
|  |  | Full range           |                  | 0 to<br>$V_{CC} - 2$   |      |               |
| $A_{VD}$ Large-signal differential-voltage amplification | $V_{CC} = 15\text{ V}$ , $V_O = 1.4\text{ V to }11.4\text{ V}$ ,<br>$R_L \geq 15\text{ k}\Omega$ to $V_{CC}$ | 25°C                 |                  | 50                     | 200  | V/mV          |
| $I_{OH}$ High-level output current                       | $V_{OH} = 5\text{ V}$ , $V_{ID} = 1\text{ V}$  | 25°C                 |                  | 0.1                    | 50   | nA            |
|  | $V_{OH} = 30\text{ V}$ , $V_{ID} = 1\text{ V}$   | Full range           |                  |                        | 1    | $\mu\text{A}$ |
| $V_{OL}$ Low-level output voltage                        | $I_{OL} = 4\text{ mA}$ , $V_{ID} = -1\text{ V}$  | 25°C                 |                  | 110                    | 400  | mV            |
|  |  | Full range           |                  |                        | 700  |               |
| $I_{OL}$ Low-level output current                        | $V_{OL} = 1.5\text{ V}$ , $V_{ID} = -1\text{ V}$ ,   | 25°C                 |                  | 6                      |      | mA            |
| $I_{CC}$ Supply current                                  | $R_L = \infty$   | 25°C                 |                  | 0.60                   | 1    | mA            |
|  |  | Full range           |                  | 0.72                   | 2.5  |               |

- (1) Full range (minimum or maximum) for LM293A is  $-25^\circ\text{C}$  to  $85^\circ\text{C}$ , and for LM393A is  $0^\circ\text{C}$  to  $70^\circ\text{C}$ . All characteristics are measured with zero common-mode input voltage, unless otherwise specified.
- (2) The voltage at either input should not be allowed to go negative by more than 0.3 V otherwise output may be incorrect and excessive input current can flow. The upper end of the common-mode voltage range is limited by  $V_{CC} - 2\text{V}$ . However only one input needs to be in the valid common mode range, the other input can go up the maximum  $V_{CC}$  level and the comparator provides a proper output state. Either or both inputs can go to maximum  $V_{CC}$  level without damage.

## 6.8 Electrical Characteristics for LM2903, LM2903V, and LM2903AV

 at specified free-air temperature,  $V_{CC} = 5\text{ V}$  (unless otherwise noted)

| PARAMETER  | TEST CONDITIONS   | $T_A$ <sup>(1)</sup>  | LM2903, LM2903V     |     |     | LM2903AV            |     |      | UNIT          |
|--|---|-----------------------|---------------------|-----|-----|---------------------|-----|------|---------------|
|  |   |                       | MIN                 | TYP | MAX | MIN                 | TYP | MAX  |               |
| $V_{IO}$ Input offset voltage                            | $V_{CC} = 5\text{ V to MAX}^{(2)}$ ,<br>$V_O = 1.4\text{ V}$ ,<br>$V_{IC} = V_{ICR(min)}$ ,                   | 25°C                  | 2 7                 |     |     | 1 2                 |     |      | mV            |
|  |   | Full range            | 15                  |     |     | 4                   |     |      |               |
| $I_{IO}$ Input offset current                            | $V_O = 1.4\text{ V}$  | 25°C                  | 5 50                |     |     | 5 50                |     |      | nA            |
|  |   | Full range            | 200                 |     |     | 200                 |     |      |               |
| $I_{IB}$ Input bias current                              | $V_O = 1.4\text{ V}$  | 25°C                  | –25 –250            |     |     | –25 –250            |     |      | nA            |
|  |   | Full range            | –500                |     |     | –500                |     |      |               |
| $V_{ICR}$ Common-mode input-voltage range <sup>(3)</sup> |   | 25°C                  | 0 to $V_{CC} - 1.5$ |     |     | 0 to $V_{CC} - 1.5$ |     |      | V             |
|  |   | Full range            | 0 to $V_{CC} - 2$   |     |     | 0 to $V_{CC} - 2$   |     |      |               |
| $A_{VD}$ Large-signal differential-voltage amplification | $V_{CC} = 15\text{ V}$ , $V_O = 1.4\text{ V to } 11.4\text{ V}$ ,<br>$R_L \geq 15\text{ k}\Omega$ to $V_{CC}$ | 25°C                  | 25                  | 100 |     | 25                  | 100 | V/mV |               |
| $I_{OH}$ High-level output current                       | $V_{OH} = 5\text{ V}$ , $V_{ID} = 1\text{ V}$<br>$V_{OH} = V_{CC} \text{ MAX}^{(2)}$ , $V_{ID} = 1\text{ V}$  | 25°C                  | 0.1 50              |     |     | 0.1 50              |     |      | nA            |
|  |   | Full range            | 1                   |     |     | 1                   |     |      | $\mu\text{A}$ |
| $V_{OL}$ Low-level output voltage                        | $I_{OL} = 4\text{ mA}$ , $V_{ID} = -1\text{ V}$ ,   | 25°C                  | 150 400             |     |     | 150 400             |     |      | mV            |
|  |   | Full range            | 700                 |     |     | 700                 |     |      |               |
| $I_{OL}$ Low-level output current                        | $V_{OL} = 1.5\text{ V}$ , $V_{ID} = -1\text{ V}$  | 25°C                  | 6                   |     |     | 6                   |     |      | mA            |
| $I_{CC}$ Supply current                                  | $R_L = \infty$  | $V_{CC} = 5\text{ V}$ | 0.8 1               |     |     | 0.8 1               |     |      | mA            |
|  |   | Full range            | 2.5                 |     |     | 2.5                 |     |      |               |

- (1) Full range (minimum or maximum) for LM2903 is  $-40^\circ\text{C}$  to  $125^\circ\text{C}$ . All characteristics are measured with zero common-mode input voltage, unless otherwise specified.
- (2)  $V_{CC} \text{ MAX} = 30\text{ V}$  for non-V devices and  $32\text{ V}$  for V-suffix devices.
- (3) The voltage at either input should not be allowed to go negative by more than  $0.3\text{ V}$  otherwise output may be incorrect and excessive input current can flow. The upper end of the common-mode voltage range is limited by  $V_{CC} - 2\text{V}$ . However only one input needs to be in the valid common mode range, the other input can go up the maximum  $V_{CC}$  level and the comparator provides a proper output state. Either or both inputs can go to maximum  $V_{CC}$  level without damage.

## 6.9 Switching Characteristics (all devices)

 $V_{CC} = 5\text{ V}$ ,  $T_A = 25^\circ\text{C}$ 

| PARAMETER     | TEST CONDITIONS   | TYP                                   | UNIT |
|---------------|---|---------------------------------------|------|
| Response time | $R_L$ connected to $5\text{ V}$ through $5.1\text{ k}\Omega$ ,<br>$C_L = 15\text{ pF}^{(1)(2)}$ | 100-mV input step with 5-mV overdrive | 1.3  |
|               |   | TTL-level input step                  | 0.3  |

- (1)  $C_L$  includes probe and jig capacitance.
- (2) The response time specified is the interval between the input step function and the instant when the output crosses  $1.4\text{ V}$ .

### 6.10 Typical Characteristics



Figure 1. Supply Current vs Supply Voltage



Figure 2. Input Bias Current vs Supply Voltage



Figure 3. Output Saturation Voltage

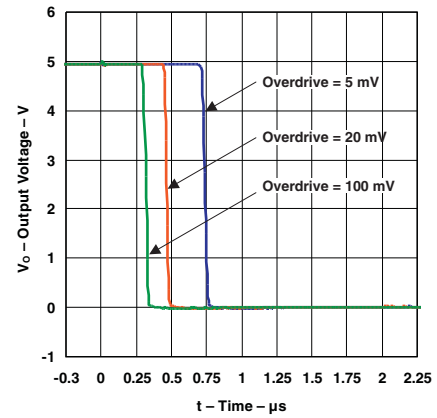


Figure 4. Response Time for Various Overdrives Negative Transition

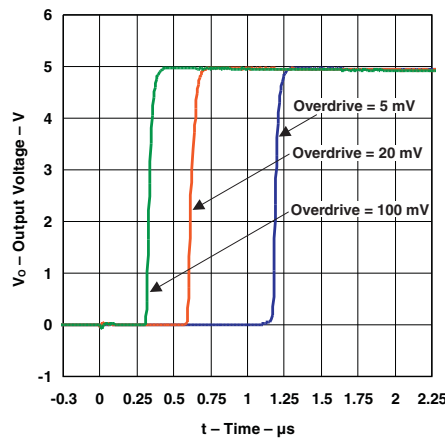


Figure 5. Response Time for Various Overdrives Positive Transition

## 7 Detailed Description

### 7.1 Overview

These dual comparators have the ability to operate up to absolute maximum of 36 V on the supply pin. This device has proven ubiquity and versatility across a wide range of applications. This is due to very wide supply voltages range (2 V to 36 V), low  $I_q$  and fast response of the devices.

The open-drain output allows the user to configure the output's logic high voltage ( $V_{OH}$ ) and can be used to enable the comparator to be used in AND functionality.

### 7.2 Functional Block Diagram

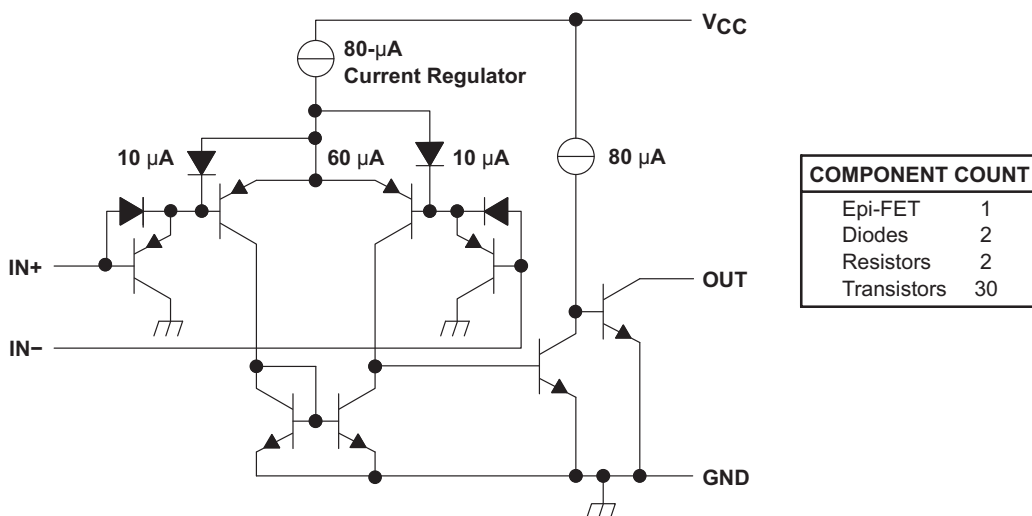


Figure 6. Schematic (Each Comparator)

### 7.3 Feature Description

The comparator consists of a PNP darlington pair input, allowing the device to operate with very high gain and fast response with minimal input bias current. The input Darlington pair creates a limit on the input common mode voltage capability, allowing the comparator to accurately function from ground to  $V_{CC} - 1.5$  V input. Allow for  $V_{CC} - 2$  V at cold temperature.

The output consists of an open drain NPN (pull-down or low side) transistor. The output NPN will sink current when the negative input voltage is higher than the positive input voltage and the offset voltage. The  $V_{OL}$  is resistive and will scale with the output current. See Figure 3 for  $V_{OL}$  values with respect to the output current.

### 7.4 Device Functional Modes

#### 7.4.1 Voltage Comparison

The device operates solely as a voltage comparator, comparing the differential voltage between the positive and negative pins and outputting a logic low or high impedance (logic high with pullup) based on the input differential polarity.

## 8 Application and Implementation

### NOTE

Information in the following applications sections is not part of the TI component specification, and TI does not warrant its accuracy or completeness. TI's customers are responsible for determining suitability of components for their purposes. Customers should validate and test their design implementation to confirm system functionality.

### 8.1 Application Information

The device will typically be used to compare a single signal to a reference or two signals against each other. Many users take advantage of the open drain output to drive the comparison logic output to a logic voltage level to an MCU or logic device. The wide supply range and high voltage capability makes this comparator optimal for level shifting to a higher or lower voltage.

### 8.2 Typical Application



**Figure 7. Single-Ended and Differential Comparator Configurations**

#### 8.2.1 Design Requirements

For this design example, use the parameters listed in [Table 1](#) as the input parameters.

**Table 1. Design Parameters**

| DESIGN PARAMETER                | EXAMPLE VALUE             |
|---------------------------------|---------------------------|
| Input Voltage Range             | 0 V to $V_{sup}-2$ V      |
| Supply Voltage                  | 4.5 V to $V_{CC}$ maximum |
| Logic Supply Voltage            | 0 V to $V_{CC}$ maximum   |
| Output Current ( $R_{PULLUP}$ ) | 1 $\mu$ A to 4 mA         |
| Input Overdrive Voltage         | 100 mV                    |
| Reference Voltage               | 2.5 V                     |
| Load Capacitance ( $C_L$ )      | 15 pF                     |

#### 8.2.2 Detailed Design Procedure

When using the device in a general comparator application, determine the following:

- Input Voltage Range
- Minimum Overdrive Voltage
- Output and Drive Current
- Response Time

##### 8.2.2.1 Input Voltage Range

When choosing the input voltage range, the input common mode voltage range ( $V_{ICR}$ ) must be taken in to account. If temperature operation is below 25°C the  $V_{ICR}$  can range from 0 V to  $V_{CC}-2.0$  V. This limits the input voltage range to as high as  $V_{CC}-2.0$  V and as low as 0 V. Operation outside of this range can yield incorrect comparisons.

The following is a list of input voltage situation and their outcomes:

1. When both IN- and IN+ are both within the common-mode range:
  - a. If IN- is higher than IN+ and the offset voltage, the output is low and the output transistor is sinking current
  - b. If IN- is lower than IN+ and the offset voltage, the output is high impedance and the output transistor is not conducting
2. When IN- is higher than common-mode and IN+ is within common-mode, the output is low and the output transistor is sinking current
3. When IN+ is higher than common-mode and IN- is within common-mode, the output is high impedance and the output transistor is not conducting
4. When IN- and IN+ are both higher than common-mode, the output is low and the output transistor is sinking current

### 8.2.2.2 Minimum Overdrive Voltage

Overdrive Voltage is the differential voltage produced between the positive and negative inputs of the comparator over the offset voltage ( $V_{IO}$ ). To make an accurate comparison the Overdrive Voltage ( $V_{OD}$ ) should be higher than the input offset voltage ( $V_{IO}$ ). Overdrive voltage can also determine the response time of the comparator, with the response time decreasing with increasing overdrive. [Figure 8](#) and [Figure 9](#) show positive and negative response times with respect to overdrive voltage.

### 8.2.2.3 Output and Drive Current

Output current is determined by the load/pull-up resistance and logic/pullup voltage. The output current will produce a output low voltage ( $V_{OL}$ ) from the comparator. In which  $V_{OL}$  is proportional to the output current. Use [Typical Characteristics](#) to determine  $V_{OL}$  based on the output current.

The output current can also effect the transient response. See [Response Time](#) for more information.

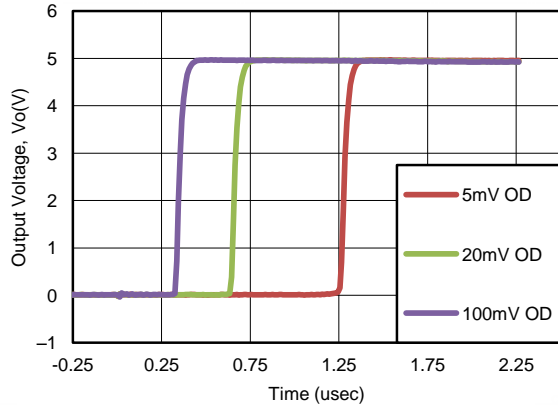
### 8.2.2.4 Response Time

Response time is a function of input over drive. See [Application Curves](#) for typical response times. The rise and falls times can be determined by the load capacitance ( $C_L$ ), load/pullup resistance ( $R_{PULLUP}$ ) and equivalent collector-emitter resistance ( $R_{CE}$ ).

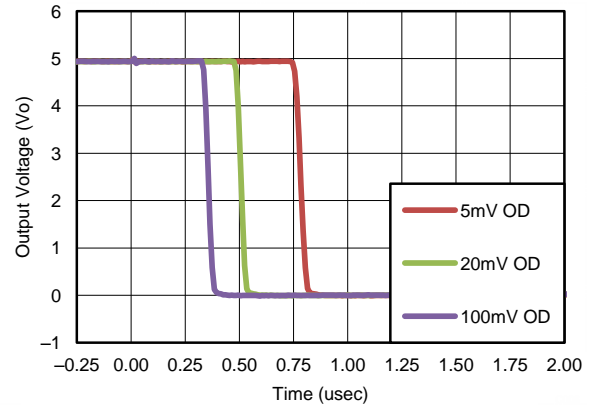
- The rise time ( $\tau_R$ ) is approximately  $\tau_R \sim R_{PULLUP} \times C_L$
- The fall time ( $\tau_F$ ) is approximately  $\tau_F \sim R_{CE} \times C_L$ 
  - $R_{CE}$  can be determine by taking the slope of [Typical Characteristics](#) in its linear region at the desired temperature, or by dividing the  $V_{OL}$  by  $I_{out}$

### 8.2.3 Application Curves

The following curves were generated with 5 V on  $V_{CC}$  and  $V_{Logic}$ ,  $R_{PULLUP} = 5.1 \text{ k}\Omega$ , and 50 pF scope probe.



**Figure 8. Response Time for Various Overdrives (Positive Transition)**



**Figure 9. Response Time for Various Overdrives (Negative Transition)**

## 9 Power Supply Recommendations

For fast response and comparison applications with noisy or AC inputs, TI recommends to use a bypass capacitor on the supply pin to reject any variation on the supply voltage. This variation can eat into the input common-mode range of the comparator and create an inaccurate comparison.

## 10 Layout

### 10.1 Layout Guidelines

For accurate comparator applications without hysteresis it is important maintain a stable power supply with minimized noise and glitches. To achieve this, it is best to add a bypass capacitor between the supply voltage and ground. This should be implemented on the positive power supply and negative supply (if available). If a negative supply is not being used, do not put a capacitor between the IC's GND pin and system ground.

Minimize coupling between outputs and inverting inputs to prevent output oscillations. Do not run output and inverting input traces in parallel unless there is a  $V_{CC}$  or GND trace between output and inverting input traces to reduce coupling. When series resistance is added to inputs, place resistor close to the device.

### 10.2 Layout Example

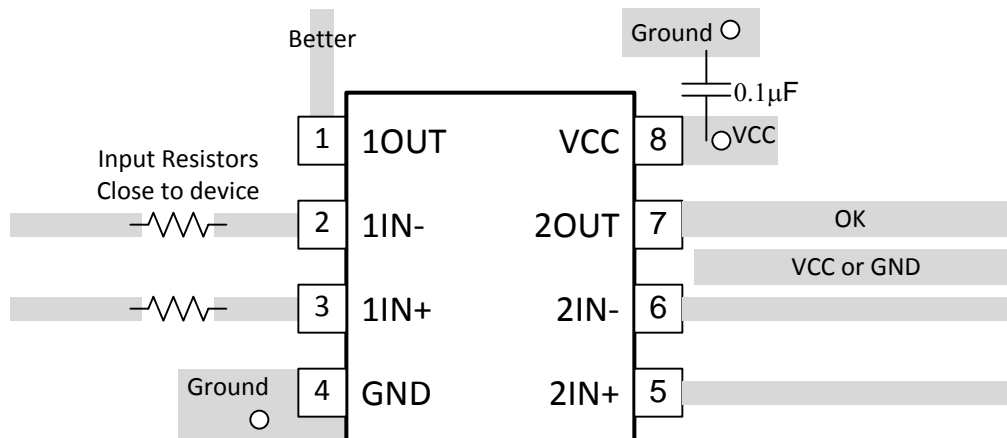


Figure 10. LM2903 Layout Example

## 11 Device and Documentation Support

### 11.1 Related Links

The table below lists quick access links. Categories include technical documents, support and community resources, tools and software, and quick access to order now.

**Table 2. Related Links**

| PARTS   | PRODUCT FOLDER             | ORDER NOW                  | TECHNICAL DOCUMENTS        | TOOLS & SOFTWARE           | SUPPORT & COMMUNITY        |
|---------|----------------------------|----------------------------|----------------------------|----------------------------|----------------------------|
| LM193   | <a href="#">Click here</a> | <a href="#">Click here</a> | <a href="#">Click here</a> | <a href="#">Click here</a> | <a href="#">Click here</a> |
| LM293   | <a href="#">Click here</a> | <a href="#">Click here</a> | <a href="#">Click here</a> | <a href="#">Click here</a> | <a href="#">Click here</a> |
| LM293A  | <a href="#">Click here</a> | <a href="#">Click here</a> | <a href="#">Click here</a> | <a href="#">Click here</a> | <a href="#">Click here</a> |
| LM393   | <a href="#">Click here</a> | <a href="#">Click here</a> | <a href="#">Click here</a> | <a href="#">Click here</a> | <a href="#">Click here</a> |
| LM393A  | <a href="#">Click here</a> | <a href="#">Click here</a> | <a href="#">Click here</a> | <a href="#">Click here</a> | <a href="#">Click here</a> |
| LM2903  | <a href="#">Click here</a> | <a href="#">Click here</a> | <a href="#">Click here</a> | <a href="#">Click here</a> | <a href="#">Click here</a> |
| LM2903V | <a href="#">Click here</a> | <a href="#">Click here</a> | <a href="#">Click here</a> | <a href="#">Click here</a> | <a href="#">Click here</a> |

### 11.2 Receiving Notification of Documentation Updates

To receive notification of documentation updates, navigate to the device product folder on ti.com. In the upper right corner, click on *Alert me* to register and receive a weekly digest of any product information that has changed. For change details, review the revision history included in any revised document.

### 11.3 Community Resources

The following links connect to TI community resources. Linked contents are provided "AS IS" by the respective contributors. They do not constitute TI specifications and do not necessarily reflect TI's views; see TI's [Terms of Use](#).

**TI E2E™ Online Community** *TI's Engineer-to-Engineer (E2E) Community*. Created to foster collaboration among engineers. At [e2e.ti.com](http://e2e.ti.com), you can ask questions, share knowledge, explore ideas and help solve problems with fellow engineers.

**Design Support** *TI's Design Support* Quickly find helpful E2E forums along with design support tools and contact information for technical support.

### 11.4 Trademarks

E2E is a trademark of Texas Instruments.  
All other trademarks are the property of their respective owners.

### 11.5 Electrostatic Discharge Caution



These devices have limited built-in ESD protection. The leads should be shorted together or the device placed in conductive foam during storage or handling to prevent electrostatic damage to the MOS gates.

### 11.6 Glossary

**SLYZ022** — *TI Glossary*.

This glossary lists and explains terms, acronyms, and definitions.

## 12 Mechanical, Packaging, and Orderable Information

The following pages include mechanical, packaging, and orderable information. This information is the most current data available for the designated devices. This data is subject to change without notice and revision of this document. For browser based versions of this data sheet, refer to the left hand navigation.

**PACKAGING INFORMATION**

| Orderable Device | Status<br>(1) | Package Type | Package Drawing | Pins | Package Qty | Eco Plan<br>(2)         | Lead/Ball Finish<br>(6)    | MSL Peak Temp<br>(3) | Op Temp (°C) | Device Marking<br>(4/5) | Samples                 |
|------------------|---------------|--------------|-----------------|------|-------------|-------------------------|----------------------------|----------------------|--------------|-------------------------|-------------------------|
| LM193DR          | ACTIVE        | SOIC         | D               | 8    | 2500        | Green (RoHS & no Sb/Br) | CU NIPDAU                  | Level-1-260C-UNLIM   | -55 to 125   | LM193                   | <a href="#">Samples</a> |
| LM193DRG4        | ACTIVE        | SOIC         | D               | 8    | 2500        | Green (RoHS & no Sb/Br) | CU NIPDAU                  | Level-1-260C-UNLIM   | -55 to 125   | LM193                   | <a href="#">Samples</a> |
| LM2903AVQDR      | ACTIVE        | SOIC         | D               | 8    | 2500        | Green (RoHS & no Sb/Br) | CU NIPDAU                  | Level-1-260C-UNLIM   | -40 to 125   | L2903AV                 | <a href="#">Samples</a> |
| LM2903AVQDRG4    | ACTIVE        | SOIC         | D               | 8    | 2500        | Green (RoHS & no Sb/Br) | CU NIPDAU                  | Level-1-260C-UNLIM   | -40 to 125   | L2903AV                 | <a href="#">Samples</a> |
| LM2903AVQPWR     | ACTIVE        | TSSOP        | PW              | 8    | 2000        | Green (RoHS & no Sb/Br) | CU NIPDAU                  | Level-1-260C-UNLIM   | -40 to 125   | L2903AV                 | <a href="#">Samples</a> |
| LM2903AVQPWRG4   | ACTIVE        | TSSOP        | PW              | 8    | 2000        | Green (RoHS & no Sb/Br) | CU NIPDAU                  | Level-1-260C-UNLIM   | -40 to 125   | L2903AV                 | <a href="#">Samples</a> |
| LM2903D          | ACTIVE        | SOIC         | D               | 8    | 75          | Green (RoHS & no Sb/Br) | CU NIPDAU                  | Level-1-260C-UNLIM   | -40 to 125   | LM2903                  | <a href="#">Samples</a> |
| LM2903DE4        | ACTIVE        | SOIC         | D               | 8    | 75          | Green (RoHS & no Sb/Br) | CU NIPDAU                  | Level-1-260C-UNLIM   | -40 to 125   | LM2903                  | <a href="#">Samples</a> |
| LM2903DG4        | ACTIVE        | SOIC         | D               | 8    | 75          | Green (RoHS & no Sb/Br) | CU NIPDAU                  | Level-1-260C-UNLIM   | -40 to 125   | LM2903                  | <a href="#">Samples</a> |
| LM2903DGKR       | ACTIVE        | VSSOP        | DGK             | 8    | 2500        | Green (RoHS & no Sb/Br) | CU NIPDAU  <br>CU NIPDAUAG | Level-1-260C-UNLIM   | -40 to 125   | (MAP, MAS, MAU)         | <a href="#">Samples</a> |
| LM2903DGKRG4     | ACTIVE        | VSSOP        | DGK             | 8    | 2500        | Green (RoHS & no Sb/Br) | CU NIPDAUAG                | Level-1-260C-UNLIM   | -40 to 125   | (MAP, MAS, MAU)         | <a href="#">Samples</a> |
| LM2903DR         | ACTIVE        | SOIC         | D               | 8    | 2500        | Green (RoHS & no Sb/Br) | CU NIPDAU   CU SN          | Level-1-260C-UNLIM   | -40 to 125   | LM2903                  | <a href="#">Samples</a> |
| LM2903DRE4       | ACTIVE        | SOIC         | D               | 8    | 2500        | Green (RoHS & no Sb/Br) | CU NIPDAU                  | Level-1-260C-UNLIM   | -40 to 125   | LM2903                  | <a href="#">Samples</a> |
| LM2903DRG3       | ACTIVE        | SOIC         | D               | 8    | 2500        | Green (RoHS & no Sb/Br) | CU SN                      | Level-1-260C-UNLIM   | -40 to 125   | LM2903                  | <a href="#">Samples</a> |
| LM2903DRG4       | ACTIVE        | SOIC         | D               | 8    | 2500        | Green (RoHS & no Sb/Br) | CU NIPDAU                  | Level-1-260C-UNLIM   | -40 to 125   | LM2903                  | <a href="#">Samples</a> |
| LM2903P          | ACTIVE        | PDIP         | P               | 8    | 50          | Green (RoHS & no Sb/Br) | CU NIPDAU                  | N / A for Pkg Type   | -40 to 125   | LM2903P                 | <a href="#">Samples</a> |
| LM2903PSR        | ACTIVE        | SO           | PS              | 8    | 2000        | Green (RoHS & no Sb/Br) | CU NIPDAU                  | Level-1-260C-UNLIM   | -40 to 125   | L2903                   | <a href="#">Samples</a> |

| Orderable Device | Status<br>(1) | Package Type | Package Drawing | Pins | Package Qty | Eco Plan<br>(2)         | Lead/Ball Finish<br>(6) | MSL Peak Temp<br>(3) | Op Temp (°C) | Device Marking<br>(4/5) | Samples                 |
|------------------|---------------|--------------|-----------------|------|-------------|-------------------------|-------------------------|----------------------|--------------|-------------------------|-------------------------|
| LM2903PSRG4      | ACTIVE        | SO           | PS              | 8    | 2000        | Green (RoHS & no Sb/Br) | CU NIPDAU               | Level-1-260C-UNLIM   | -40 to 125   | L2903                   | <a href="#">Samples</a> |
| LM2903PWR        | ACTIVE        | TSSOP        | PW              | 8    | 2000        | Green (RoHS & no Sb/Br) | CU NIPDAU   CU SN       | Level-1-260C-UNLIM   | -40 to 125   | L2903                   | <a href="#">Samples</a> |
| LM2903PWRG3      | ACTIVE        | TSSOP        | PW              | 8    | 2000        | Green (RoHS & no Sb/Br) | CU SN                   | Level-1-260C-UNLIM   | -40 to 125   | L2903                   | <a href="#">Samples</a> |
| LM2903PWRG4      | ACTIVE        | TSSOP        | PW              | 8    | 2000        | Green (RoHS & no Sb/Br) | CU NIPDAU               | Level-1-260C-UNLIM   | -40 to 125   | L2903                   | <a href="#">Samples</a> |
| LM2903QD         | ACTIVE        | SOIC         | D               | 8    | 75          | Green (RoHS & no Sb/Br) | CU NIPDAU               | Level-1-260C-UNLIM   | -40 to 125   | 2903Q                   | <a href="#">Samples</a> |
| LM2903QDG4       | ACTIVE        | SOIC         | D               | 8    | 75          | Green (RoHS & no Sb/Br) | CU NIPDAU               | Level-1-260C-UNLIM   | -40 to 125   | 2903Q                   | <a href="#">Samples</a> |
| LM2903QDRG4      | ACTIVE        | SOIC         | D               | 8    | 2500        | Green (RoHS & no Sb/Br) | CU NIPDAU               | Level-1-260C-UNLIM   | -40 to 125   | 2903Q                   | <a href="#">Samples</a> |
| LM2903VQDR       | ACTIVE        | SOIC         | D               | 8    | 2500        | Green (RoHS & no Sb/Br) | CU NIPDAU               | Level-1-260C-UNLIM   | -40 to 125   | L2903V                  | <a href="#">Samples</a> |
| LM2903VQDRG4     | ACTIVE        | SOIC         | D               | 8    | 2500        | Green (RoHS & no Sb/Br) | CU NIPDAU               | Level-1-260C-UNLIM   | -40 to 125   | L2903V                  | <a href="#">Samples</a> |
| LM2903VQPWR      | ACTIVE        | TSSOP        | PW              | 8    | 2000        | Green (RoHS & no Sb/Br) | CU NIPDAU               | Level-1-260C-UNLIM   | -40 to 125   | L2903V                  | <a href="#">Samples</a> |
| LM2903VQPWRG4    | ACTIVE        | TSSOP        | PW              | 8    | 2000        | Green (RoHS & no Sb/Br) | CU NIPDAU               | Level-1-260C-UNLIM   | -40 to 125   | L2903V                  | <a href="#">Samples</a> |
| LM293AD          | ACTIVE        | SOIC         | D               | 8    | 75          | Green (RoHS & no Sb/Br) | CU NIPDAU               | Level-1-260C-UNLIM   | -25 to 85    | LM293A                  | <a href="#">Samples</a> |
| LM293ADE4        | ACTIVE        | SOIC         | D               | 8    | 75          | Green (RoHS & no Sb/Br) | CU NIPDAU               | Level-1-260C-UNLIM   | -25 to 85    | LM293A                  | <a href="#">Samples</a> |
| LM293ADGKR       | ACTIVE        | VSSOP        | DGK             | 8    | 2500        | Green (RoHS & no Sb/Br) | CU NIPDAU   CU NIPDAUAG | Level-1-260C-UNLIM   | -25 to 85    | (MDP, MDS, MDU)         | <a href="#">Samples</a> |
| LM293ADGKRG4     | ACTIVE        | VSSOP        | DGK             | 8    | 2500        | Green (RoHS & no Sb/Br) | CU NIPDAUAG             | Level-1-260C-UNLIM   | -25 to 85    | (MDP, MDS, MDU)         | <a href="#">Samples</a> |
| LM293ADR         | ACTIVE        | SOIC         | D               | 8    | 2500        | Green (RoHS & no Sb/Br) | CU NIPDAU   CU SN       | Level-1-260C-UNLIM   | -25 to 85    | LM293A                  | <a href="#">Samples</a> |
| LM293ADRG4       | ACTIVE        | SOIC         | D               | 8    | 2500        | Green (RoHS & no Sb/Br) | CU NIPDAU               | Level-1-260C-UNLIM   | -25 to 85    | LM293A                  | <a href="#">Samples</a> |
| LM293D           | ACTIVE        | SOIC         | D               | 8    | 75          | Green (RoHS & no Sb/Br) | CU NIPDAU               | Level-1-260C-UNLIM   | -25 to 85    | LM293                   | <a href="#">Samples</a> |

| Orderable Device | Status<br>(1) | Package Type | Package Drawing | Pins | Package Qty | Eco Plan<br>(2)         | Lead/Ball Finish<br>(6) | MSL Peak Temp<br>(3) | Op Temp (°C) | Device Marking<br>(4/5) | Samples                 |
|------------------|---------------|--------------|-----------------|------|-------------|-------------------------|-------------------------|----------------------|--------------|-------------------------|-------------------------|
| LM293DGKR        | ACTIVE        | VSSOP        | DGK             | 8    | 2500        | Green (RoHS & no Sb/Br) | CU NIPDAU   CU NIPDAUAG | Level-1-260C-UNLIM   | -25 to 85    | (MCP, MCS, MCU)         | <a href="#">Samples</a> |
| LM293DGKRG4      | ACTIVE        | VSSOP        | DGK             | 8    | 2500        | Green (RoHS & no Sb/Br) | CU NIPDAUAG             | Level-1-260C-UNLIM   | -25 to 85    | (MCP, MCS, MCU)         | <a href="#">Samples</a> |
| LM293DR          | ACTIVE        | SOIC         | D               | 8    | 2500        | Green (RoHS & no Sb/Br) | CU NIPDAU   CU SN       | Level-1-260C-UNLIM   | -25 to 85    | LM293                   | <a href="#">Samples</a> |
| LM293DRE4        | ACTIVE        | SOIC         | D               | 8    | 2500        | Green (RoHS & no Sb/Br) | CU NIPDAU               | Level-1-260C-UNLIM   | -25 to 85    | LM293                   | <a href="#">Samples</a> |
| LM293DRG3        | ACTIVE        | SOIC         | D               | 8    | 2500        | Green (RoHS & no Sb/Br) | CU SN                   | Level-1-260C-UNLIM   | -25 to 85    | LM293                   | <a href="#">Samples</a> |
| LM293DRG4        | ACTIVE        | SOIC         | D               | 8    | 2500        | Green (RoHS & no Sb/Br) | CU NIPDAU               | Level-1-260C-UNLIM   | -25 to 85    | LM293                   | <a href="#">Samples</a> |
| LM293P           | ACTIVE        | PDIP         | P               | 8    | 50          | Green (RoHS & no Sb/Br) | CU NIPDAU   CU SN       | N / A for Pkg Type   | -25 to 85    | LM293P                  | <a href="#">Samples</a> |
| LM293PE4         | ACTIVE        | PDIP         | P               | 8    | 50          | Green (RoHS & no Sb/Br) | CU NIPDAU               | N / A for Pkg Type   | -25 to 85    | LM293P                  | <a href="#">Samples</a> |
| LM393AD          | ACTIVE        | SOIC         | D               | 8    | 75          | Green (RoHS & no Sb/Br) | CU NIPDAU               | Level-1-260C-UNLIM   | 0 to 70      | LM393A                  | <a href="#">Samples</a> |
| LM393ADE4        | ACTIVE        | SOIC         | D               | 8    | 75          | Green (RoHS & no Sb/Br) | CU NIPDAU               | Level-1-260C-UNLIM   | 0 to 70      | LM393A                  | <a href="#">Samples</a> |
| LM393ADG4        | ACTIVE        | SOIC         | D               | 8    | 75          | Green (RoHS & no Sb/Br) | CU NIPDAU               | Level-1-260C-UNLIM   | 0 to 70      | LM393A                  | <a href="#">Samples</a> |
| LM393ADGKR       | ACTIVE        | VSSOP        | DGK             | 8    | 2500        | Green (RoHS & no Sb/Br) | CU NIPDAU   CU NIPDAUAG | Level-1-260C-UNLIM   | 0 to 70      | (M8P, M8S, M8U)         | <a href="#">Samples</a> |
| LM393ADGKRG4     | ACTIVE        | VSSOP        | DGK             | 8    | 2500        | Green (RoHS & no Sb/Br) | CU NIPDAUAG             | Level-1-260C-UNLIM   | 0 to 70      | (M8P, M8S, M8U)         | <a href="#">Samples</a> |
| LM393ADR         | ACTIVE        | SOIC         | D               | 8    | 2500        | Green (RoHS & no Sb/Br) | CU NIPDAU   CU SN       | Level-1-260C-UNLIM   | 0 to 70      | LM393A                  | <a href="#">Samples</a> |
| LM393ADRE4       | ACTIVE        | SOIC         | D               | 8    | 2500        | Green (RoHS & no Sb/Br) | CU NIPDAU               | Level-1-260C-UNLIM   | 0 to 70      | LM393A                  | <a href="#">Samples</a> |
| LM393ADRG4       | ACTIVE        | SOIC         | D               | 8    | 2500        | Green (RoHS & no Sb/Br) | CU NIPDAU               | Level-1-260C-UNLIM   | 0 to 70      | LM393A                  | <a href="#">Samples</a> |
| LM393AP          | ACTIVE        | PDIP         | P               | 8    | 50          | Green (RoHS & no Sb/Br) | CU NIPDAU   CU SN       | N / A for Pkg Type   | 0 to 70      | LM393AP                 | <a href="#">Samples</a> |
| LM393APE4        | ACTIVE        | PDIP         | P               | 8    | 50          | Green (RoHS & no Sb/Br) | CU NIPDAU               | N / A for Pkg Type   | 0 to 70      | LM393AP                 | <a href="#">Samples</a> |

| Orderable Device | Status<br>(1) | Package Type | Package Drawing | Pins | Package Qty | Eco Plan<br>(2)         | Lead/Ball Finish<br>(6) | MSL Peak Temp<br>(3) | Op Temp (°C) | Device Marking<br>(4/5) | Samples                 |
|------------------|---------------|--------------|-----------------|------|-------------|-------------------------|-------------------------|----------------------|--------------|-------------------------|-------------------------|
| LM393APSR        | ACTIVE        | SO           | PS              | 8    | 2000        | Green (RoHS & no Sb/Br) | CU NIPDAU               | Level-1-260C-UNLIM   | 0 to 70      | L393A                   | <a href="#">Samples</a> |
| LM393APWR        | ACTIVE        | TSSOP        | PW              | 8    | 2000        | Green (RoHS & no Sb/Br) | CU NIPDAU   CU SN       | Level-1-260C-UNLIM   | 0 to 70      | L393A                   | <a href="#">Samples</a> |
| LM393APWRE4      | ACTIVE        | TSSOP        | PW              | 8    | 2000        | Green (RoHS & no Sb/Br) | CU NIPDAU               | Level-1-260C-UNLIM   | 0 to 70      | L393A                   | <a href="#">Samples</a> |
| LM393APWRG4      | ACTIVE        | TSSOP        | PW              | 8    | 2000        | Green (RoHS & no Sb/Br) | CU NIPDAU               | Level-1-260C-UNLIM   | 0 to 70      | L393A                   | <a href="#">Samples</a> |
| LM393D           | ACTIVE        | SOIC         | D               | 8    | 75          | Green (RoHS & no Sb/Br) | CU NIPDAU               | Level-1-260C-UNLIM   | 0 to 70      | LM393                   | <a href="#">Samples</a> |
| LM393DE4         | ACTIVE        | SOIC         | D               | 8    | 75          | Green (RoHS & no Sb/Br) | CU NIPDAU               | Level-1-260C-UNLIM   | 0 to 70      | LM393                   | <a href="#">Samples</a> |
| LM393DG4         | ACTIVE        | SOIC         | D               | 8    | 75          | Green (RoHS & no Sb/Br) | CU NIPDAU               | Level-1-260C-UNLIM   | 0 to 70      | LM393                   | <a href="#">Samples</a> |
| LM393DGKR        | ACTIVE        | VSSOP        | DGK             | 8    | 2500        | Green (RoHS & no Sb/Br) | CU NIPDAU   CU NIPDAUAG | Level-1-260C-UNLIM   | 0 to 70      | (M9P, M9S, M9U)         | <a href="#">Samples</a> |
| LM393DGKRG4      | ACTIVE        | VSSOP        | DGK             | 8    | 2500        | Green (RoHS & no Sb/Br) | CU NIPDAUAG             | Level-1-260C-UNLIM   | 0 to 70      | (M9P, M9S, M9U)         | <a href="#">Samples</a> |
| LM393DR          | ACTIVE        | SOIC         | D               | 8    | 2500        | Green (RoHS & no Sb/Br) | CU NIPDAU   CU SN       | Level-1-260C-UNLIM   | 0 to 70      | LM393                   | <a href="#">Samples</a> |
| LM393DRE4        | ACTIVE        | SOIC         | D               | 8    | 2500        | Green (RoHS & no Sb/Br) | CU NIPDAU               | Level-1-260C-UNLIM   | 0 to 70      | LM393                   | <a href="#">Samples</a> |
| LM393DRG3        | ACTIVE        | SOIC         | D               | 8    | 2500        | Green (RoHS & no Sb/Br) | CU SN                   | Level-1-260C-UNLIM   | 0 to 70      | LM393                   | <a href="#">Samples</a> |
| LM393DRG4        | ACTIVE        | SOIC         | D               | 8    | 2500        | Green (RoHS & no Sb/Br) | CU NIPDAU               | Level-1-260C-UNLIM   | 0 to 70      | LM393                   | <a href="#">Samples</a> |
| LM393P           | ACTIVE        | PDIP         | P               | 8    | 50          | Green (RoHS & no Sb/Br) | CU NIPDAU   CU SN       | N / A for Pkg Type   | 0 to 70      | LM393P                  | <a href="#">Samples</a> |
| LM393PE3         | ACTIVE        | PDIP         | P               | 8    | 50          | Pb-Free (RoHS)          | CU SN                   | N / A for Pkg Type   | 0 to 70      | LM393P                  | <a href="#">Samples</a> |
| LM393PE4         | ACTIVE        | PDIP         | P               | 8    | 50          | Green (RoHS & no Sb/Br) | CU NIPDAU               | N / A for Pkg Type   | 0 to 70      | LM393P                  | <a href="#">Samples</a> |
| LM393PSR         | ACTIVE        | SO           | PS              | 8    | 2000        | Green (RoHS & no Sb/Br) | CU NIPDAU               | Level-1-260C-UNLIM   | 0 to 70      | L393                    | <a href="#">Samples</a> |
| LM393PSRG4       | ACTIVE        | SO           | PS              | 8    | 2000        | Green (RoHS & no Sb/Br) | CU NIPDAU               | Level-1-260C-UNLIM   | 0 to 70      | L393                    | <a href="#">Samples</a> |

| Orderable Device | Status<br>(1) | Package Type | Package Drawing | Pins | Package Qty | Eco Plan<br>(2)         | Lead/Ball Finish<br>(6) | MSL Peak Temp<br>(3) | Op Temp (°C) | Device Marking<br>(4/5) | Samples                 |
|------------------|---------------|--------------|-----------------|------|-------------|-------------------------|-------------------------|----------------------|--------------|-------------------------|-------------------------|
| LM393PW          | ACTIVE        | TSSOP        | PW              | 8    | 150         | Green (RoHS & no Sb/Br) | CU NIPDAU               | Level-1-260C-UNLIM   | 0 to 70      | L393                    | <a href="#">Samples</a> |
| LM393PWG4        | ACTIVE        | TSSOP        | PW              | 8    | 150         | Green (RoHS & no Sb/Br) | CU NIPDAU               | Level-1-260C-UNLIM   | 0 to 70      | L393                    | <a href="#">Samples</a> |
| LM393PWR         | ACTIVE        | TSSOP        | PW              | 8    | 2000        | Green (RoHS & no Sb/Br) | CU NIPDAU   CU SN       | Level-1-260C-UNLIM   | 0 to 70      | L393                    | <a href="#">Samples</a> |
| LM393PWRG3       | ACTIVE        | TSSOP        | PW              | 8    | 2000        | Green (RoHS & no Sb/Br) | CU SN                   | Level-1-260C-UNLIM   | 0 to 70      | L393                    | <a href="#">Samples</a> |
| LM393PWRG4       | ACTIVE        | TSSOP        | PW              | 8    | 2000        | Green (RoHS & no Sb/Br) | CU NIPDAU               | Level-1-260C-UNLIM   | 0 to 70      | L393                    | <a href="#">Samples</a> |

(1) The marketing status values are defined as follows:

**ACTIVE:** Product device recommended for new designs.

**LIFEBUY:** TI has announced that the device will be discontinued, and a lifetime-buy period is in effect.

**NRND:** Not recommended for new designs. Device is in production to support existing customers, but TI does not recommend using this part in a new design.

**PREVIEW:** Device has been announced but is not in production. Samples may or may not be available.

**OBSELETE:** TI has discontinued the production of the device.

(2) **RoHS:** TI defines "RoHS" to mean semiconductor products that are compliant with the current EU RoHS requirements for all 10 RoHS substances, including the requirement that RoHS substance do not exceed 0.1% by weight in homogeneous materials. Where designed to be soldered at high temperatures, "RoHS" products are suitable for use in specified lead-free processes. TI may reference these types of products as "Pb-Free".

**RoHS Exempt:** TI defines "RoHS Exempt" to mean products that contain lead but are compliant with EU RoHS pursuant to a specific EU RoHS exemption.

**Green:** TI defines "Green" to mean the content of Chlorine (Cl) and Bromine (Br) based flame retardants meet JS709B low halogen requirements of <=1000ppm threshold. Antimony trioxide based flame retardants must also meet the <=1000ppm threshold requirement.

(3) MSL, Peak Temp. - The Moisture Sensitivity Level rating according to the JEDEC industry standard classifications, and peak solder temperature.

(4) There may be additional marking, which relates to the logo, the lot trace code information, or the environmental category on the device.

(5) Multiple Device Markings will be inside parentheses. Only one Device Marking contained in parentheses and separated by a "~" will appear on a device. If a line is indented then it is a continuation of the previous line and the two combined represent the entire Device Marking for that device.

(6) Lead/Ball Finish - Orderable Devices may have multiple material finish options. Finish options are separated by a vertical ruled line. Lead/Ball Finish values may wrap to two lines if the finish value exceeds the maximum column width.

**Important Information and Disclaimer:** The information provided on this page represents TI's knowledge and belief as of the date that it is provided. TI bases its knowledge and belief on information provided by third parties, and makes no representation or warranty as to the accuracy of such information. Efforts are underway to better integrate information from third parties. TI has taken and

continues to take reasonable steps to provide representative and accurate information but may not have conducted destructive testing or chemical analysis on incoming materials and chemicals. TI and TI suppliers consider certain information to be proprietary, and thus CAS numbers and other limited information may not be available for release.

In no event shall TI's liability arising out of such information exceed the total purchase price of the TI part(s) at issue in this document sold by TI to Customer on an annual basis.

**OTHER QUALIFIED VERSIONS OF LM2903, LM293 :**

- Automotive: [LM2903-Q1](#)
- Enhanced Product: [LM293-EP](#)

**NOTE: Qualified Version Definitions:**

- Automotive - Q100 devices qualified for high-reliability automotive applications targeting zero defects
- Enhanced Product - Supports Defense, Aerospace and Medical Applications

**TAPE AND REEL INFORMATION**

**QUADRANT ASSIGNMENTS FOR PIN 1 ORIENTATION IN TAPE**


\*All dimensions are nominal

| Device         | Package Type | Package Drawing | Pins | SPQ  | Reel Diameter (mm) | Reel Width W1 (mm) | A0 (mm) | B0 (mm) | K0 (mm) | P1 (mm) | W (mm) | Pin1 Quadrant |
|----------------|--------------|-----------------|------|------|--------------------|--------------------|---------|---------|---------|---------|--------|---------------|
| LM193DR        | SOIC         | D               | 8    | 2500 | 330.0              | 12.4               | 6.4     | 5.2     | 2.1     | 8.0     | 12.0   | Q1            |
| LM2903AVQDR    | SOIC         | D               | 8    | 2500 | 330.0              | 12.5               | 6.4     | 5.2     | 2.1     | 8.0     | 12.0   | Q1            |
| LM2903AVQPWR   | TSSOP        | PW              | 8    | 2000 | 330.0              | 12.4               | 7.0     | 3.6     | 1.6     | 8.0     | 12.0   | Q1            |
| LM2903AVQPWRG4 | TSSOP        | PW              | 8    | 2000 | 330.0              | 12.4               | 7.0     | 3.6     | 1.6     | 8.0     | 12.0   | Q1            |
| LM2903DGKR     | VSSOP        | DGK             | 8    | 2500 | 330.0              | 12.4               | 5.3     | 3.4     | 1.4     | 8.0     | 12.0   | Q1            |
| LM2903DR       | SOIC         | D               | 8    | 2500 | 330.0              | 12.4               | 6.4     | 5.2     | 2.1     | 8.0     | 12.0   | Q1            |
| LM2903DR       | SOIC         | D               | 8    | 2500 | 330.0              | 15.4               | 6.4     | 5.2     | 2.1     | 8.0     | 12.0   | Q1            |
| LM2903DR       | SOIC         | D               | 8    | 2500 | 330.0              | 12.4               | 6.4     | 5.2     | 2.1     | 8.0     | 12.0   | Q1            |
| LM2903DRG3     | SOIC         | D               | 8    | 2500 | 330.0              | 12.8               | 6.4     | 5.2     | 2.1     | 8.0     | 12.0   | Q1            |
| LM2903DRG4     | SOIC         | D               | 8    | 2500 | 330.0              | 12.4               | 6.4     | 5.2     | 2.1     | 8.0     | 12.0   | Q1            |
| LM2903DRG4     | SOIC         | D               | 8    | 2500 | 330.0              | 12.4               | 6.4     | 5.2     | 2.1     | 8.0     | 12.0   | Q1            |
| LM2903PWR      | TSSOP        | PW              | 8    | 2000 | 330.0              | 12.4               | 7.0     | 3.6     | 1.6     | 8.0     | 12.0   | Q1            |
| LM2903PWR      | TSSOP        | PW              | 8    | 2000 | 330.0              | 12.4               | 7.0     | 3.6     | 1.6     | 8.0     | 12.0   | Q1            |
| LM2903PWRG3    | TSSOP        | PW              | 8    | 2000 | 330.0              | 12.4               | 7.0     | 3.6     | 1.6     | 8.0     | 12.0   | Q1            |
| LM2903PWRG4    | TSSOP        | PW              | 8    | 2000 | 330.0              | 12.4               | 7.0     | 3.6     | 1.6     | 8.0     | 12.0   | Q1            |
| LM2903QDRG4    | SOIC         | D               | 8    | 2500 | 330.0              | 12.4               | 6.4     | 5.2     | 2.1     | 8.0     | 12.0   | Q1            |
| LM2903VQDR     | SOIC         | D               | 8    | 2500 | 330.0              | 12.5               | 6.4     | 5.2     | 2.1     | 8.0     | 12.0   | Q1            |
| LM2903VQPWR    | TSSOP        | PW              | 8    | 2000 | 330.0              | 12.4               | 7.0     | 3.6     | 1.6     | 8.0     | 12.0   | Q1            |

| Device        | Package Type | Package Drawing | Pins | SPQ  | Reel Diameter (mm) | Reel Width W1 (mm) | A0 (mm) | B0 (mm) | K0 (mm) | P1 (mm) | W (mm) | Pin1 Quadrant |
|---------------|--------------|-----------------|------|------|--------------------|--------------------|---------|---------|---------|---------|--------|---------------|
| LM2903VQPWRG4 | TSSOP        | PW              | 8    | 2000 | 330.0              | 12.4               | 7.0     | 3.6     | 1.6     | 8.0     | 12.0   | Q1            |
| LM293ADGKR    | VSSOP        | DGK             | 8    | 2500 | 330.0              | 12.4               | 5.3     | 3.4     | 1.4     | 8.0     | 12.0   | Q1            |
| LM293ADR      | SOIC         | D               | 8    | 2500 | 330.0              | 15.4               | 6.4     | 5.2     | 2.1     | 8.0     | 12.0   | Q1            |
| LM293ADR      | SOIC         | D               | 8    | 2500 | 330.0              | 12.4               | 6.4     | 5.2     | 2.1     | 8.0     | 12.0   | Q1            |
| LM293ADR      | SOIC         | D               | 8    | 2500 | 330.0              | 12.4               | 6.4     | 5.2     | 2.1     | 8.0     | 12.0   | Q1            |
| LM293ADRG4    | SOIC         | D               | 8    | 2500 | 330.0              | 12.4               | 6.4     | 5.2     | 2.1     | 8.0     | 12.0   | Q1            |
| LM293ADRG4    | SOIC         | D               | 8    | 2500 | 330.0              | 12.4               | 6.4     | 5.2     | 2.1     | 8.0     | 12.0   | Q1            |
| LM293DGKR     | VSSOP        | DGK             | 8    | 2500 | 330.0              | 12.4               | 5.3     | 3.4     | 1.4     | 8.0     | 12.0   | Q1            |
| LM293DR       | SOIC         | D               | 8    | 2500 | 330.0              | 12.8               | 6.4     | 5.2     | 2.1     | 8.0     | 12.0   | Q1            |
| LM293DR       | SOIC         | D               | 8    | 2500 | 330.0              | 12.4               | 6.4     | 5.2     | 2.1     | 8.0     | 12.0   | Q1            |
| LM293DRG3     | SOIC         | D               | 8    | 2500 | 330.0              | 12.8               | 6.4     | 5.2     | 2.1     | 8.0     | 12.0   | Q1            |
| LM293DRG4     | SOIC         | D               | 8    | 2500 | 330.0              | 12.4               | 6.4     | 5.2     | 2.1     | 8.0     | 12.0   | Q1            |
| LM293DRG4     | SOIC         | D               | 8    | 2500 | 330.0              | 12.4               | 6.4     | 5.2     | 2.1     | 8.0     | 12.0   | Q1            |
| LM393ADGKR    | VSSOP        | DGK             | 8    | 2500 | 330.0              | 12.4               | 5.3     | 3.4     | 1.4     | 8.0     | 12.0   | Q1            |
| LM393ADR      | SOIC         | D               | 8    | 2500 | 330.0              | 12.8               | 6.4     | 5.2     | 2.1     | 8.0     | 12.0   | Q1            |
| LM393ADR      | SOIC         | D               | 8    | 2500 | 330.0              | 15.4               | 6.4     | 5.2     | 2.1     | 8.0     | 12.0   | Q1            |
| LM393ADR      | SOIC         | D               | 8    | 2500 | 330.0              | 12.4               | 6.4     | 5.2     | 2.1     | 8.0     | 12.0   | Q1            |
| LM393ADR      | SOIC         | D               | 8    | 2500 | 330.0              | 12.4               | 6.4     | 5.2     | 2.1     | 8.0     | 12.0   | Q1            |
| LM393ADRG4    | SOIC         | D               | 8    | 2500 | 330.0              | 12.4               | 6.4     | 5.2     | 2.1     | 8.0     | 12.0   | Q1            |
| LM393ADRG4    | SOIC         | D               | 8    | 2500 | 330.0              | 12.4               | 6.4     | 5.2     | 2.1     | 8.0     | 12.0   | Q1            |
| LM393APWR     | TSSOP        | PW              | 8    | 2000 | 330.0              | 12.4               | 7.0     | 3.6     | 1.6     | 8.0     | 12.0   | Q1            |
| LM393APWR     | TSSOP        | PW              | 8    | 2000 | 330.0              | 12.4               | 7.0     | 3.6     | 1.6     | 8.0     | 12.0   | Q1            |
| LM393APWRG4   | TSSOP        | PW              | 8    | 2000 | 330.0              | 12.4               | 7.0     | 3.6     | 1.6     | 8.0     | 12.0   | Q1            |
| LM393DGKR     | VSSOP        | DGK             | 8    | 2500 | 330.0              | 12.4               | 5.3     | 3.4     | 1.4     | 8.0     | 12.0   | Q1            |
| LM393DR       | SOIC         | D               | 8    | 2500 | 330.0              | 12.4               | 6.4     | 5.2     | 2.1     | 8.0     | 12.0   | Q1            |
| LM393DR       | SOIC         | D               | 8    | 2500 | 330.0              | 12.4               | 6.4     | 5.2     | 2.1     | 8.0     | 12.0   | Q1            |
| LM393DRG3     | SOIC         | D               | 8    | 2500 | 330.0              | 12.8               | 6.4     | 5.2     | 2.1     | 8.0     | 12.0   | Q1            |
| LM393DRG3     | SOIC         | D               | 8    | 2500 | 330.0              | 15.4               | 6.4     | 5.2     | 2.1     | 8.0     | 12.0   | Q1            |
| LM393DRG4     | SOIC         | D               | 8    | 2500 | 330.0              | 12.4               | 6.4     | 5.2     | 2.1     | 8.0     | 12.0   | Q1            |
| LM393DRG4     | SOIC         | D               | 8    | 2500 | 330.0              | 12.4               | 6.4     | 5.2     | 2.1     | 8.0     | 12.0   | Q1            |
| LM393PWR      | TSSOP        | PW              | 8    | 2000 | 330.0              | 12.4               | 7.0     | 3.6     | 1.6     | 8.0     | 12.0   | Q1            |
| LM393PWR      | TSSOP        | PW              | 8    | 2000 | 330.0              | 12.4               | 7.0     | 3.6     | 1.6     | 8.0     | 12.0   | Q1            |
| LM393PWRG3    | TSSOP        | PW              | 8    | 2000 | 330.0              | 12.4               | 7.0     | 3.6     | 1.6     | 8.0     | 12.0   | Q1            |
| LM393PWRG4    | TSSOP        | PW              | 8    | 2000 | 330.0              | 12.4               | 7.0     | 3.6     | 1.6     | 8.0     | 12.0   | Q1            |

**TAPE AND REEL BOX DIMENSIONS**


\*All dimensions are nominal

| Device         | Package Type | Package Drawing | Pins | SPQ  | Length (mm) | Width (mm) | Height (mm) |
|----------------|--------------|-----------------|------|------|-------------|------------|-------------|
| LM193DR        | SOIC         | D               | 8    | 2500 | 350.0       | 350.0      | 43.0        |
| LM2903AVQDR    | SOIC         | D               | 8    | 2500 | 340.5       | 338.1      | 20.6        |
| LM2903AVQPWR   | TSSOP        | PW              | 8    | 2000 | 367.0       | 367.0      | 35.0        |
| LM2903AVQPWRG4 | TSSOP        | PW              | 8    | 2000 | 367.0       | 367.0      | 35.0        |
| LM2903DGKR     | VSSOP        | DGK             | 8    | 2500 | 364.0       | 364.0      | 27.0        |
| LM2903DR       | SOIC         | D               | 8    | 2500 | 367.0       | 367.0      | 35.0        |
| LM2903DR       | SOIC         | D               | 8    | 2500 | 333.2       | 345.9      | 28.6        |
| LM2903DR       | SOIC         | D               | 8    | 2500 | 340.5       | 338.1      | 20.6        |
| LM2903DRG3     | SOIC         | D               | 8    | 2500 | 364.0       | 364.0      | 27.0        |
| LM2903DRG4     | SOIC         | D               | 8    | 2500 | 367.0       | 367.0      | 35.0        |
| LM2903DRG4     | SOIC         | D               | 8    | 2500 | 340.5       | 338.1      | 20.6        |
| LM2903PWR      | TSSOP        | PW              | 8    | 2000 | 367.0       | 367.0      | 35.0        |
| LM2903PWR      | TSSOP        | PW              | 8    | 2000 | 364.0       | 364.0      | 27.0        |
| LM2903PWRG3    | TSSOP        | PW              | 8    | 2000 | 364.0       | 364.0      | 27.0        |
| LM2903PWRG4    | TSSOP        | PW              | 8    | 2000 | 367.0       | 367.0      | 35.0        |
| LM2903QDRG4    | SOIC         | D               | 8    | 2500 | 350.0       | 350.0      | 43.0        |
| LM2903VQDR     | SOIC         | D               | 8    | 2500 | 340.5       | 338.1      | 20.6        |
| LM2903VQPWR    | TSSOP        | PW              | 8    | 2000 | 367.0       | 367.0      | 35.0        |
| LM2903VQPWRG4  | TSSOP        | PW              | 8    | 2000 | 367.0       | 367.0      | 35.0        |
| LM293ADGKR     | VSSOP        | DGK             | 8    | 2500 | 364.0       | 364.0      | 27.0        |

| Device      | Package Type | Package Drawing | Pins | SPQ  | Length (mm) | Width (mm) | Height (mm) |
|-------------|--------------|-----------------|------|------|-------------|------------|-------------|
| LM293ADR    | SOIC         | D               | 8    | 2500 | 333.2       | 345.9      | 28.6        |
| LM293ADR    | SOIC         | D               | 8    | 2500 | 340.5       | 338.1      | 20.6        |
| LM293ADR    | SOIC         | D               | 8    | 2500 | 367.0       | 367.0      | 35.0        |
| LM293ADRG4  | SOIC         | D               | 8    | 2500 | 340.5       | 338.1      | 20.6        |
| LM293ADRG4  | SOIC         | D               | 8    | 2500 | 367.0       | 367.0      | 35.0        |
| LM293DGKR   | VSSOP        | DGK             | 8    | 2500 | 364.0       | 364.0      | 27.0        |
| LM293DR     | SOIC         | D               | 8    | 2500 | 364.0       | 364.0      | 27.0        |
| LM293DR     | SOIC         | D               | 8    | 2500 | 367.0       | 367.0      | 35.0        |
| LM293DRG3   | SOIC         | D               | 8    | 2500 | 364.0       | 364.0      | 27.0        |
| LM293DRG4   | SOIC         | D               | 8    | 2500 | 367.0       | 367.0      | 35.0        |
| LM293DRG4   | SOIC         | D               | 8    | 2500 | 340.5       | 338.1      | 20.6        |
| LM393ADGKR  | VSSOP        | DGK             | 8    | 2500 | 364.0       | 364.0      | 27.0        |
| LM393ADR    | SOIC         | D               | 8    | 2500 | 364.0       | 364.0      | 27.0        |
| LM393ADR    | SOIC         | D               | 8    | 2500 | 333.2       | 345.9      | 28.6        |
| LM393ADR    | SOIC         | D               | 8    | 2500 | 340.5       | 338.1      | 20.6        |
| LM393ADR    | SOIC         | D               | 8    | 2500 | 367.0       | 367.0      | 35.0        |
| LM393ADRG4  | SOIC         | D               | 8    | 2500 | 367.0       | 367.0      | 35.0        |
| LM393ADRG4  | SOIC         | D               | 8    | 2500 | 340.5       | 338.1      | 20.6        |
| LM393APWR   | TSSOP        | PW              | 8    | 2000 | 364.0       | 364.0      | 27.0        |
| LM393APWR   | TSSOP        | PW              | 8    | 2000 | 367.0       | 367.0      | 35.0        |
| LM393APWRG4 | TSSOP        | PW              | 8    | 2000 | 367.0       | 367.0      | 35.0        |
| LM393DGKR   | VSSOP        | DGK             | 8    | 2500 | 364.0       | 364.0      | 27.0        |
| LM393DR     | SOIC         | D               | 8    | 2500 | 340.5       | 338.1      | 20.6        |
| LM393DR     | SOIC         | D               | 8    | 2500 | 367.0       | 367.0      | 35.0        |
| LM393DRG3   | SOIC         | D               | 8    | 2500 | 364.0       | 364.0      | 27.0        |
| LM393DRG3   | SOIC         | D               | 8    | 2500 | 333.2       | 345.9      | 28.6        |
| LM393DRG4   | SOIC         | D               | 8    | 2500 | 367.0       | 367.0      | 35.0        |
| LM393DRG4   | SOIC         | D               | 8    | 2500 | 340.5       | 338.1      | 20.6        |
| LM393PWR    | TSSOP        | PW              | 8    | 2000 | 367.0       | 367.0      | 35.0        |
| LM393PWR    | TSSOP        | PW              | 8    | 2000 | 364.0       | 364.0      | 27.0        |
| LM393PWRG3  | TSSOP        | PW              | 8    | 2000 | 364.0       | 364.0      | 27.0        |
| LM393PWRG4  | TSSOP        | PW              | 8    | 2000 | 367.0       | 367.0      | 35.0        |



D0008A

# PACKAGE OUTLINE

SOIC - 1.75 mm max height

SMALL OUTLINE INTEGRATED CIRCUIT



4214825/C 02/2019

## NOTES:

- Linear dimensions are in inches [millimeters]. Dimensions in parenthesis are for reference only. Controlling dimensions are in inches. Dimensioning and tolerancing per ASME Y14.5M.
- This drawing is subject to change without notice.
- This dimension does not include mold flash, protrusions, or gate burrs. Mold flash, protrusions, or gate burrs shall not exceed  $.006$  [0.15] per side.
- This dimension does not include interlead flash.
- Reference JEDEC registration MS-012, variation AA.

# EXAMPLE BOARD LAYOUT

D0008A

SOIC - 1.75 mm max height

SMALL OUTLINE INTEGRATED CIRCUIT



LAND PATTERN EXAMPLE  
 EXPOSED METAL SHOWN  
 SCALE:8X



SOLDER MASK DETAILS

4214825/C 02/2019

NOTES: (continued)

- 6. Publication IPC-7351 may have alternate designs.
- 7. Solder mask tolerances between and around signal pads can vary based on board fabrication site.

# EXAMPLE STENCIL DESIGN

D0008A

SOIC - 1.75 mm max height

SMALL OUTLINE INTEGRATED CIRCUIT



SOLDER PASTE EXAMPLE  
BASED ON .005 INCH [0.125 MM] THICK STENCIL  
SCALE:8X

4214825/C 02/2019

NOTES: (continued)

8. Laser cutting apertures with trapezoidal walls and rounded corners may offer better paste release. IPC-7525 may have alternate design recommendations.
9. Board assembly site may have different recommendations for stencil design.

## MECHANICAL DATA

PS (R-PDSO-G8)

PLASTIC SMALL-OUTLINE PACKAGE



- NOTES:
- A. All linear dimensions are in millimeters.
  - B. This drawing is subject to change without notice.
  - C. Body dimensions do not include mold flash or protrusion, not to exceed 0,15.

PS (R-PDSO-G8)

PLASTIC SMALL OUTLINE



- NOTES:
- A. All linear dimensions are in millimeters.
  - B. This drawing is subject to change without notice.
  - C. Publication IPC-7351 is recommended for alternate designs.
  - D. Laser cutting apertures with trapezoidal walls and also rounding corners will offer better paste release. Customers should contact their board assembly site for stencil design recommendations. Refer to IPC-7525 for other stencil recommendations.
  - E. Customers should contact their board fabrication site for solder mask tolerances between and around signal pads.







- NOTES:
- A. All linear dimensions are in millimeters.
  - B. This drawing is subject to change without notice.
  - C. Publication IPC-7351 is recommended for alternate designs.
  - D. Laser cutting apertures with trapezoidal walls and also rounding corners will offer better paste release. Customers should contact their board assembly site for stencil design recommendations. Refer to IPC-7525 for other stencil recommendations.
  - E. Customers should contact their board fabrication site for solder mask tolerances between and around signal pads.

PW0008A



**PACKAGE OUTLINE**  
**TSSOP - 1.2 mm max height**

SMALL OUTLINE PACKAGE



4221848/A 02/2015

NOTES:

1. All linear dimensions are in millimeters. Any dimensions in parenthesis are for reference only. Dimensioning and tolerancing per ASME Y14.5M.
2. This drawing is subject to change without notice.
3. This dimension does not include mold flash, protrusions, or gate burrs. Mold flash, protrusions, or gate burrs shall not exceed 0.15 mm per side.
4. This dimension does not include interlead flash. Interlead flash shall not exceed 0.25 mm per side.
5. Reference JEDEC registration MO-153, variation AA.

# EXAMPLE BOARD LAYOUT

PW0008A

TSSOP - 1.2 mm max height

SMALL OUTLINE PACKAGE



LAND PATTERN EXAMPLE  
SCALE:10X



SOLDER MASK DETAILS  
NOT TO SCALE

4221848/A 02/2015

NOTES: (continued)

- 6. Publication IPC-7351 may have alternate designs.
- 7. Solder mask tolerances between and around signal pads can vary based on board fabrication site.

# EXAMPLE STENCIL DESIGN

PW0008A

TSSOP - 1.2 mm max height

SMALL OUTLINE PACKAGE



SOLDER PASTE EXAMPLE  
BASED ON 0.125 mm THICK STENCIL  
SCALE:10X

4221848/A 02/2015

NOTES: (continued)

8. Laser cutting apertures with trapezoidal walls and rounded corners may offer better paste release. IPC-7525 may have alternate design recommendations.
9. Board assembly site may have different recommendations for stencil design.

## IMPORTANT NOTICE AND DISCLAIMER

TI PROVIDES TECHNICAL AND RELIABILITY DATA (INCLUDING DATASHEETS), DESIGN RESOURCES (INCLUDING REFERENCE DESIGNS), APPLICATION OR OTHER DESIGN ADVICE, WEB TOOLS, SAFETY INFORMATION, AND OTHER RESOURCES "AS IS" AND WITH ALL FAULTS, AND DISCLAIMS ALL WARRANTIES, EXPRESS AND IMPLIED, INCLUDING WITHOUT LIMITATION ANY IMPLIED WARRANTIES OF MERCHANTABILITY, FITNESS FOR A PARTICULAR PURPOSE OR NON-INFRINGEMENT OF THIRD PARTY INTELLECTUAL PROPERTY RIGHTS.

These resources are intended for skilled developers designing with TI products. You are solely responsible for (1) selecting the appropriate TI products for your application, (2) designing, validating and testing your application, and (3) ensuring your application meets applicable standards, and any other safety, security, or other requirements. These resources are subject to change without notice. TI grants you permission to use these resources only for development of an application that uses the TI products described in the resource. Other reproduction and display of these resources is prohibited. No license is granted to any other TI intellectual property right or to any third party intellectual property right. TI disclaims responsibility for, and you will fully indemnify TI and its representatives against, any claims, damages, costs, losses, and liabilities arising out of your use of these resources.

TI's products are provided subject to TI's Terms of Sale ([www.ti.com/legal/termsofsale.html](http://www.ti.com/legal/termsofsale.html)) or other applicable terms available either on [ti.com](http://ti.com) or provided in conjunction with such TI products. TI's provision of these resources does not expand or otherwise alter TI's applicable warranties or warranty disclaimers for TI products.

Mailing Address: Texas Instruments, Post Office Box 655303, Dallas, Texas 75265  
Copyright © 2019, Texas Instruments Incorporated

## Looking for pricing, stock, or lifecycle information?

Click below to explore more details on WIN SOURCE:

 [View LM2903DGKRG4](#) on WIN SOURCE

 [Texas Instruments](#) Information

## Optimize Your Supply Chain with WIN SOURCE Solutions

-  Global Sourcing Solution
-  Obsolete Management
-  Cost Control Management
-  Shortage Management
-  Alternative Solution
-  Excess Inventory Management