

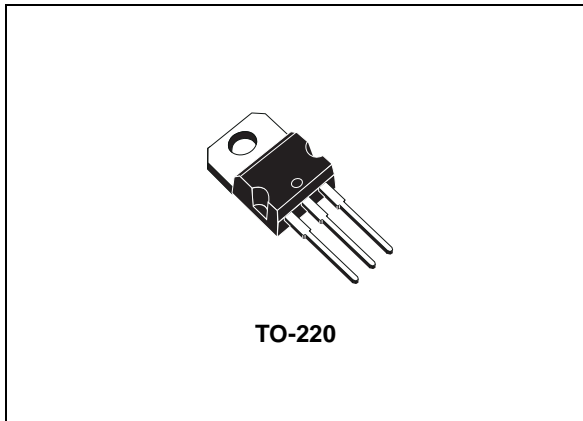


# THE DATASHEET OF LM337SP



## Three-terminal adjustable negative voltage regulators

Datasheet - production data



current limit, thermal overload protection and safe area protection. All overload protection circuitry remains fully functional even if the adjustment terminal is disconnected.

**Table 1. Device summary**

Order codes	Packages	Temperature range
LM337SP	TO-220	0 °C to 125 °C

### Features

- Output voltage adjustable down to  $V_{REF}$
- 1.5 A guaranteed output current
- 0.3%/V typical load regulation
- 0.01%/V typical line regulation
- Current limit constant with temperature
- Ripple rejection: 77 dB
- Standard 3-lead transistor packages
- Excellent thermal regulation: 0.002%/V
- 50 ppm/°C temperature coefficient

### Description

The LM337 series are adjustable 3-terminal negative voltage regulators capable of supplying in excess -1.5 A over a -1.2 to -37 V output voltage range. They are exceptionally easy to use and require only two external resistors to set the output voltage. Further, both line and load regulation are better than standard fixed regulators. Also, LM337 regulators are supplied in standard transistor packages which are easily mounted and handled. In addition to higher performance than fixed regulators, the LM337 series offer full overload protection available only in integrated circuits. Included on the chip are

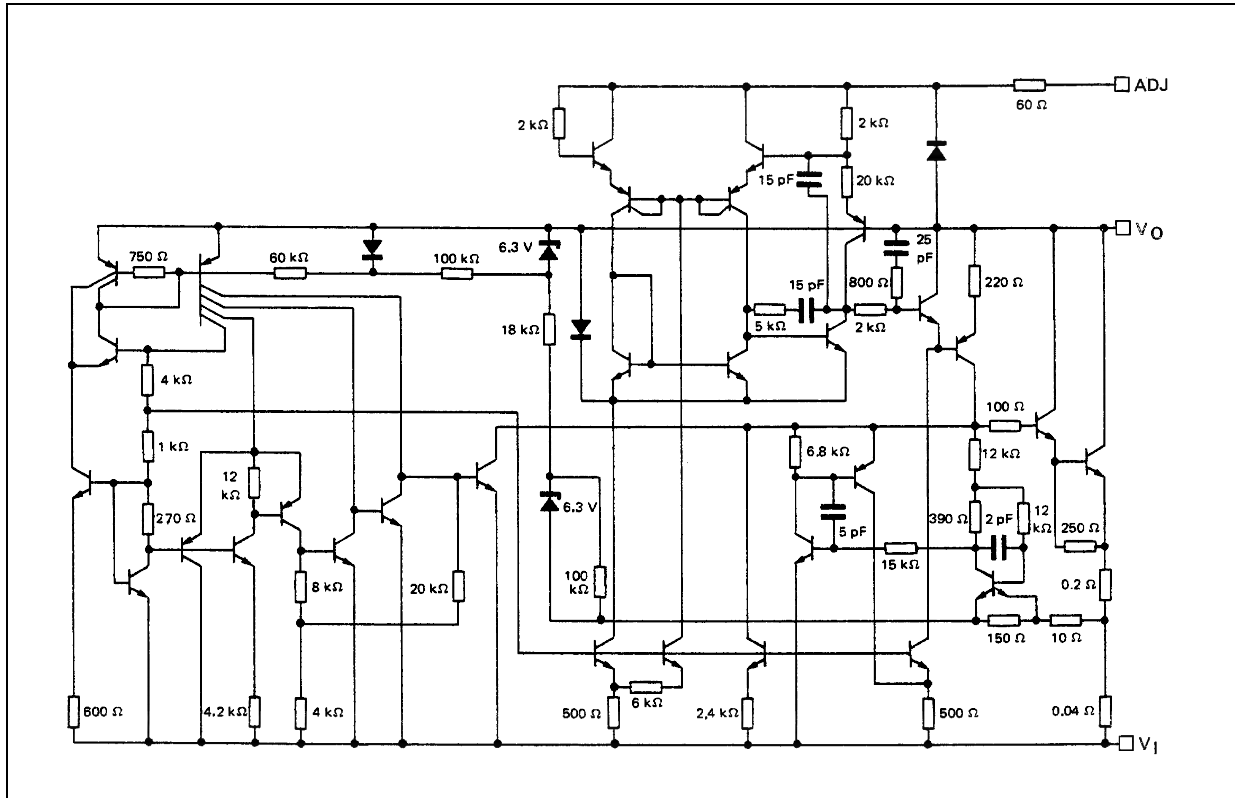
---

# Contents

1	Diagram .....	3
2	Pin configuration .....	4
3	Maximum ratings .....	5
4	Electrical characteristics .....	6
5	Typical characteristics .....	7
6	Thermal regulation .....	9
7	Typical application .....	10
8	Package mechanical data .....	13
9	Revision history .....	16

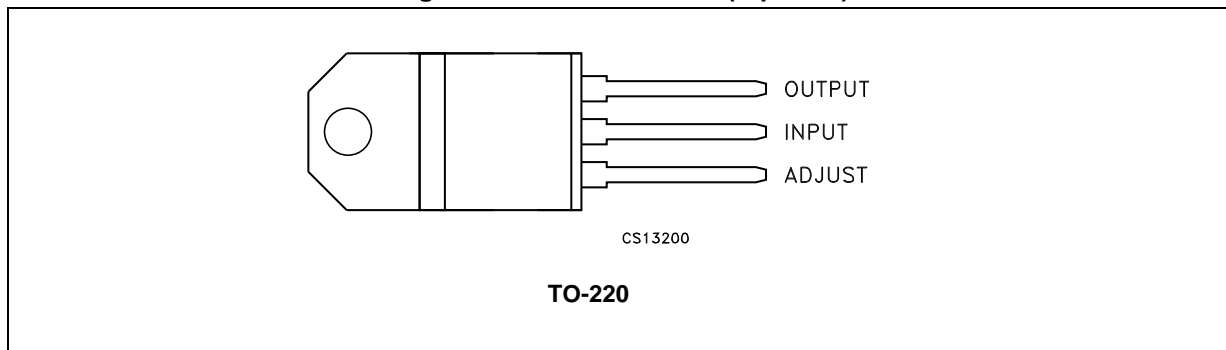
# 1 Diagram

Figure 1. Schematic diagram



## 2 Pin configuration

Figure 2. Pin connections (top view)



### 3 Maximum ratings

**Table 2. Absolute maximum ratings**

Symbol	Parameter	Value	Unit
$V_I - V_O$	Input output voltage differential	40	V
$I_O$	Output current	1.5	A
$P_D$	Power dissipation	Internally limited	
$T_{STG}$	Storage temperature range	- 65 to 150	°C
$T_{OP}$	Operating junction temperature range	0 to 125	°C

*Note: Absolute maximum ratings are those values beyond which damage to the device may occur. Functional operation under these condition is not implied.*

**Table 3. Thermal data**

Symbol	Parameter	TO-220	Unit
$R_{thJC}$	Thermal resistance junction-case max.	3	°C/W
$R_{thJA}$	Thermal resistance junction-ambient max.	70	°C/W

## 4 Electrical characteristics

$T_J = 0$  to  $150\text{ }^\circ\text{C}$   $V_I - V_O = 5\text{ V}$ ,  $I_O = 0.5\text{ A}$  unless otherwise specified.

**Table 4. Electrical characteristics**

Symbol	Parameter	Test conditions	Min.	Typ.	Max.	Unit	
$V_{REF}$	Reference voltage	$T_a = 25^\circ\text{C}$	-1.213	-1.25	-1.287	V	
		$ V_I - V_O  = 3$ to $40\text{ V}$ , $T_J = T_{min}$ to $T_{max}$ $ I_O  = 10\text{ mA}$ to $ I_{O(max)} $ , $P \leq P_{max}$	-1.2	-1.25	-1.3		
$K_{VI}$	Line regulation <sup>(1)</sup>	$T_a = 25^\circ\text{C}$ $ V_I - V_O  = 3$ to $40\text{ V}$	$I_O = 0.1\text{ A}$		0.01	0.04	%V
			$I_O = 20\text{ mA}$		0.01	0.04	
$K_{VO}$	Load regulation <sup>(1)</sup>	$T_a = 25^\circ\text{C}$ $ I_O  = 10\text{ mA}$ to $ I_{O(max)} $	$ V_O  \leq 5\text{ V}$		15	50	mV
			$ V_O  \geq 5\text{ V}$		0.3	1	%
	Thermal regulation	$T_a = 25^\circ\text{C}$ , pulse $10\text{ ms}$		0.003	0.04	%/W	
$I_{ADJ}$	Adjustment pin current			65	100	$\mu\text{A}$	
$\Delta I_{ADJ}$	Adjustment pin current change	$T_a = 25^\circ\text{C}$ , $ I_O  = 10\text{ mA}$ to $ I_{O(max)} $ $ V_I - V_O  = 3$ to $40\text{ V}$		2	5	$\mu\text{A}$	
$K_{VI}$	Line regulation <sup>(1)</sup>	$ V_I - V_O  = 3$ to $40\text{ V}$		0.02	0.07	%V	
$K_{VO}$	Load regulation <sup>(1)</sup>	$ I_O  = 10\text{ mA}$ to $ I_{O(max)} $	$ V_O  \leq 5\text{ V}$		20	70	mV
			$ V_O  \geq 5\text{ V}$		0.3	1.5	%
$ I_{O(min)} $	Minimum load current	$ V_I - V_O  \leq 40\text{ V}$		2.5	10	mA	
		$ V_I - V_O  \leq 10\text{ V}$		1.5	6		
$I_{OS}$	Short circuit output current	$ V_I - V_O  \leq 15\text{ V}$	1.5	2.2		A	
		$ V_I - V_O  = 40\text{ V}$ , $T_J = 25^\circ\text{C}$	0.15	0.4			
$V_{NO}$	RMS output noise (% of $V_O$ )	$T_a = 25^\circ\text{C}$ , $f = 10\text{ Hz}$ to $10\text{ kHz}$		0.003		%	
$R_{VF}$	Ripple rejection ratio	$V_O = -10\text{ V}$ , $f = 120\text{ Hz}$		60		dB	
		$C_{ADJ} = 10\text{ }\mu\text{F}$	66	77			
$K_{VT}$	Temperature stability			0.6		%	
$K_{VH}$	Long term stability	$T_a = 125^\circ\text{C}$ , $1000\text{ H}$		0.3	1	%	

1. Regulation is measured at constant junction temperature, using pulse testing with a low duty cycle. Changes in output voltage due to heating effects are covered under the specification for thermal regulation.

## 5 Typical characteristics

Figure 3. Load regulation

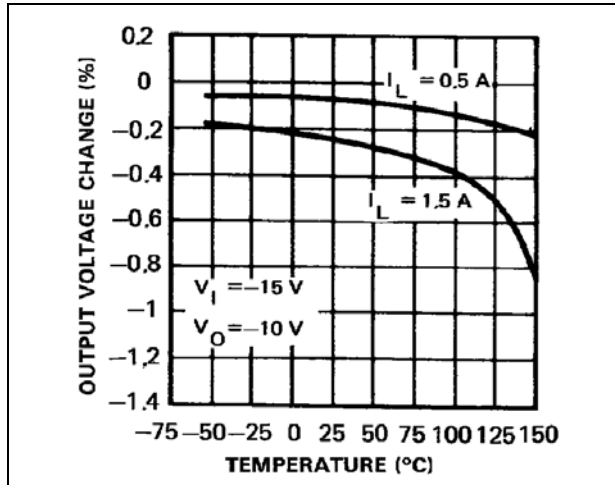


Figure 4. Current limit

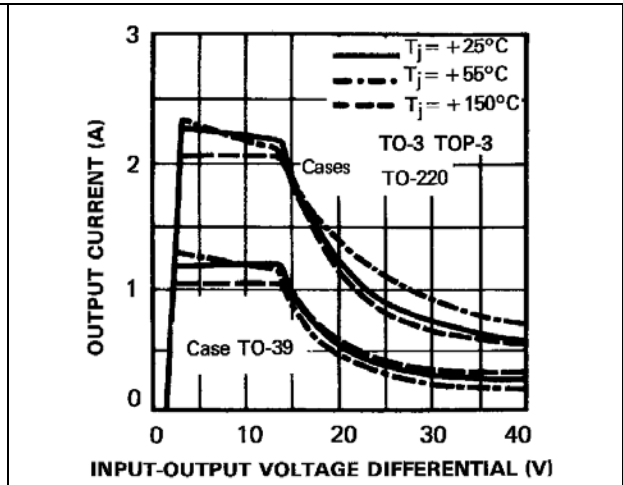


Figure 5. Adjustment current

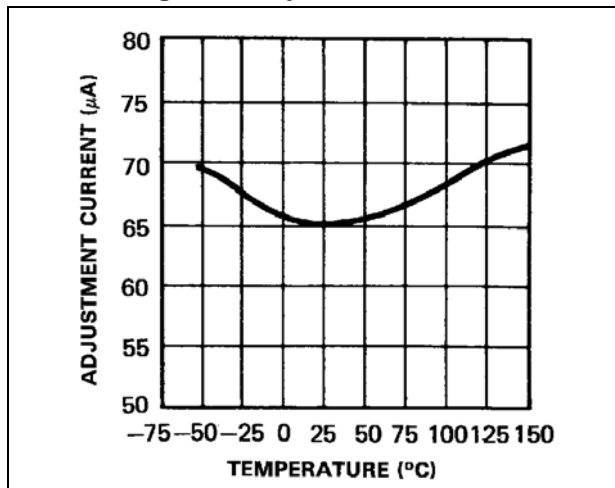


Figure 6. Dropout voltage

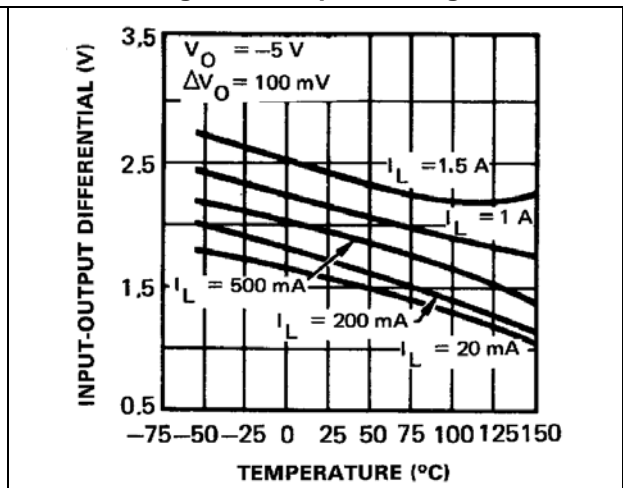


Figure 7. Temperature stability

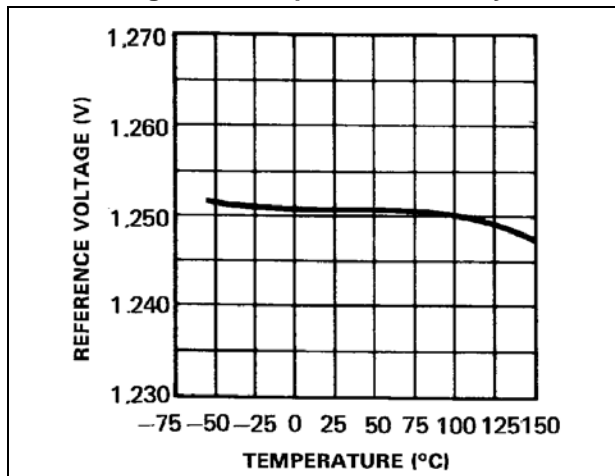


Figure 8. Minimum operating current

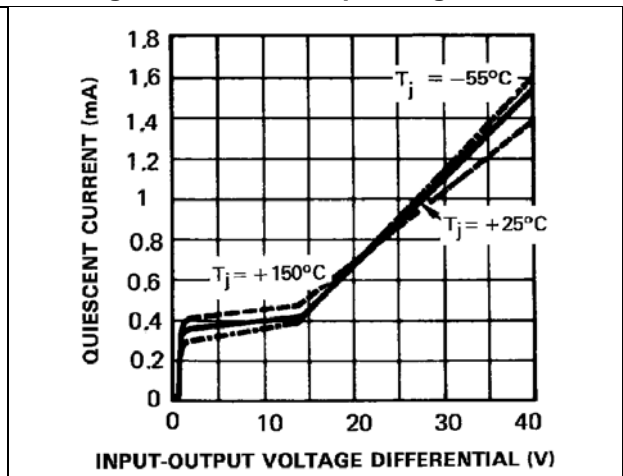


Figure 9. Ripple rejection vs. output voltage

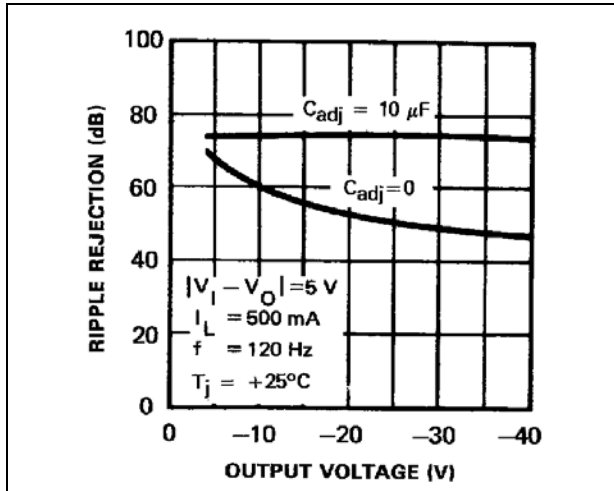


Figure 10. Ripple rejection vs. frequency

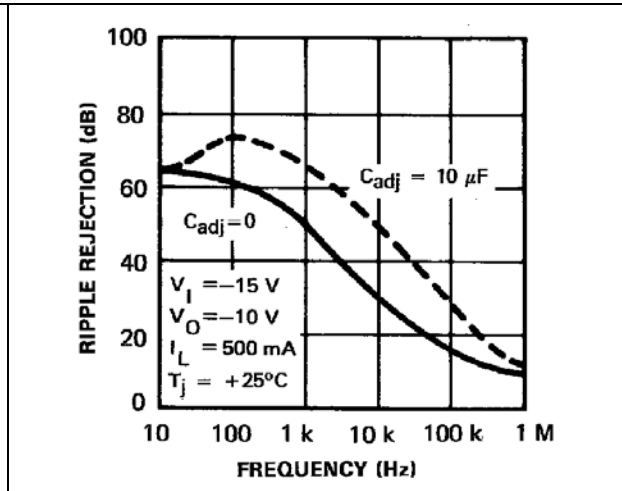


Figure 11. Ripple rejection vs. output current

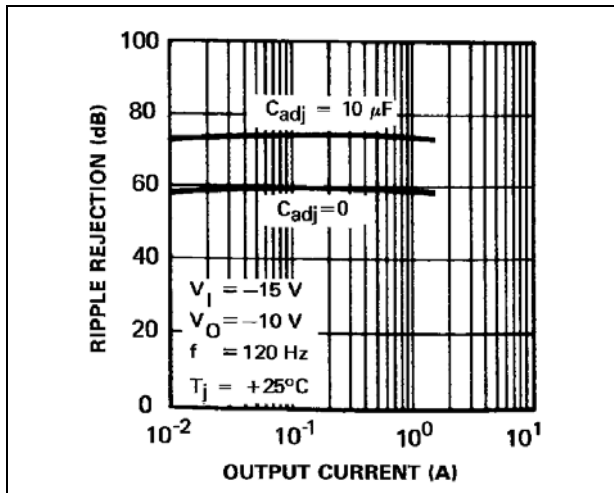


Figure 12. Output impedance

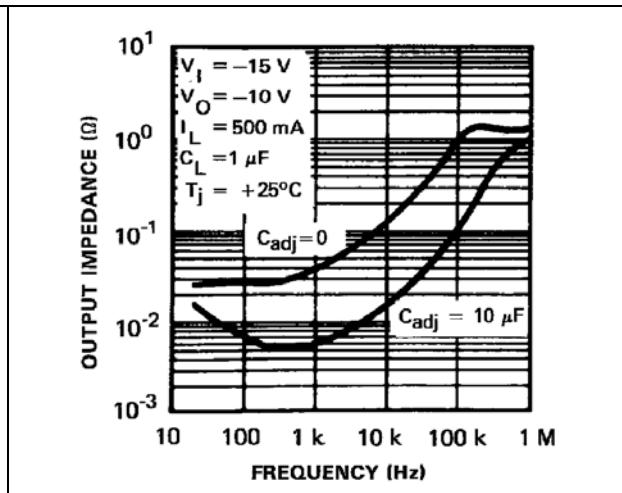


Figure 13. Line transient response

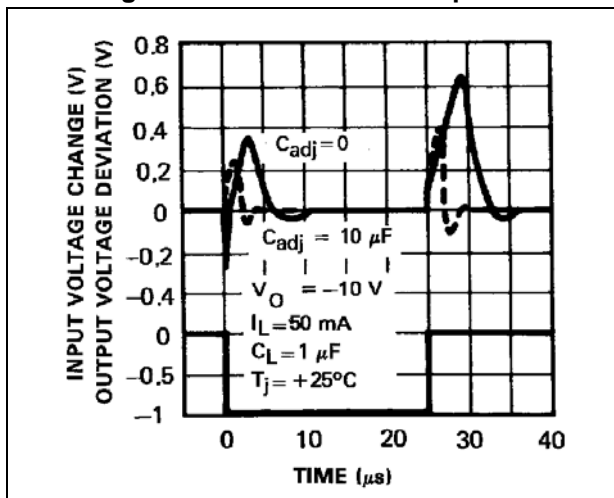
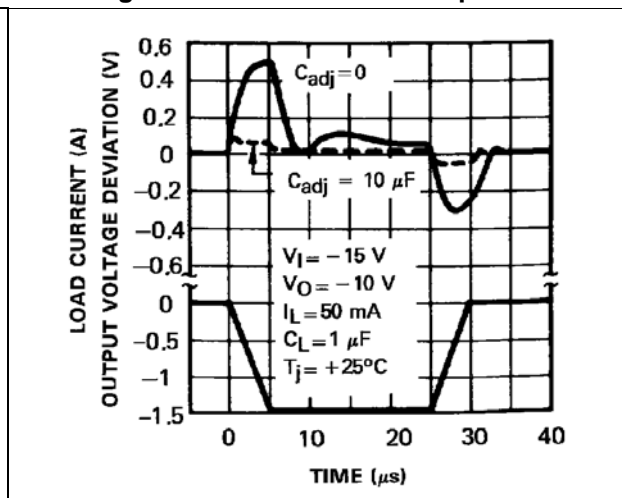


Figure 14. Load transient response



## 6 Thermal regulation

When power is dissipated in an IC, a temperature gradient occurs across the IC chip affecting the individual IC circuit components. With an IC regulator, this gradient can be especially severe since power dissipation is large.

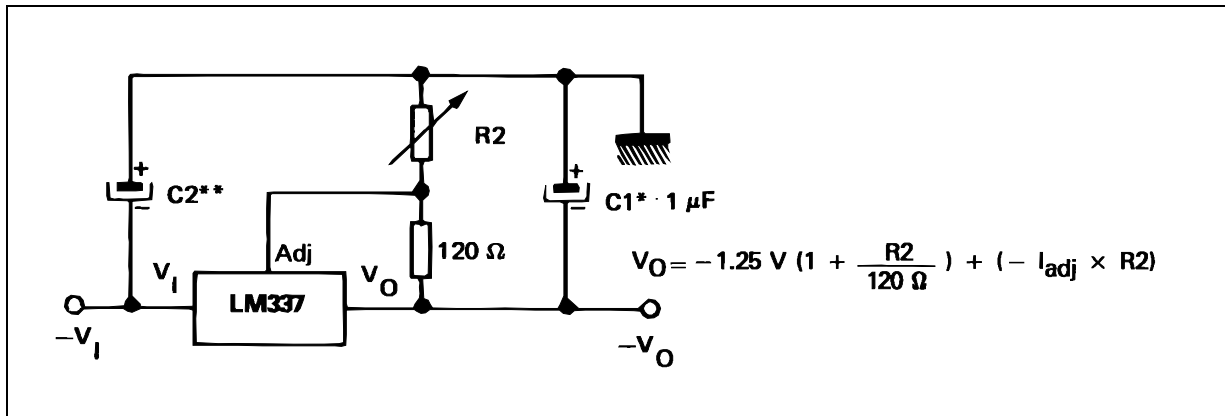
Thermal regulation is the effect of these temperature gradients on output voltage (in percentage output change) per watt of power change in a specified time. Thermal regulation error is independent of electrical regulation or temperature coefficient, and occurs within 5 ms to 50 ms after a change in power dissipation. Thermal regulation depends on IC layout as well as electrical design. The thermal regulation of a voltage regulator is defined as the percentage change of  $V_O$ , per watt, within the first 10ms after a step of power, is applied.

In [Figure 1](#), a typical LM337's output drifts only 3 mV for 0.03% of  $V_O = -10$  V) when a 10 W pulse is applied for 10 ms. This performance is thus well inside the specification limit of  $0.02\%/W \times 10$  W = 0.2% max. When the 10 W pulse is ended the thermal regulation again shows a 3 mV step as the LM337 chip cools off. Note that the load regulation error of about 8 mV (0.08%) is additional to the thermal regulation error.

In [Figure 2](#), when the 10 W pulse is applied for 100 ms, the output drifts only slightly beyond the drift in the first 10 ms and the thermal error stays well within 0.1% (10 mV).

# 7 Typical application

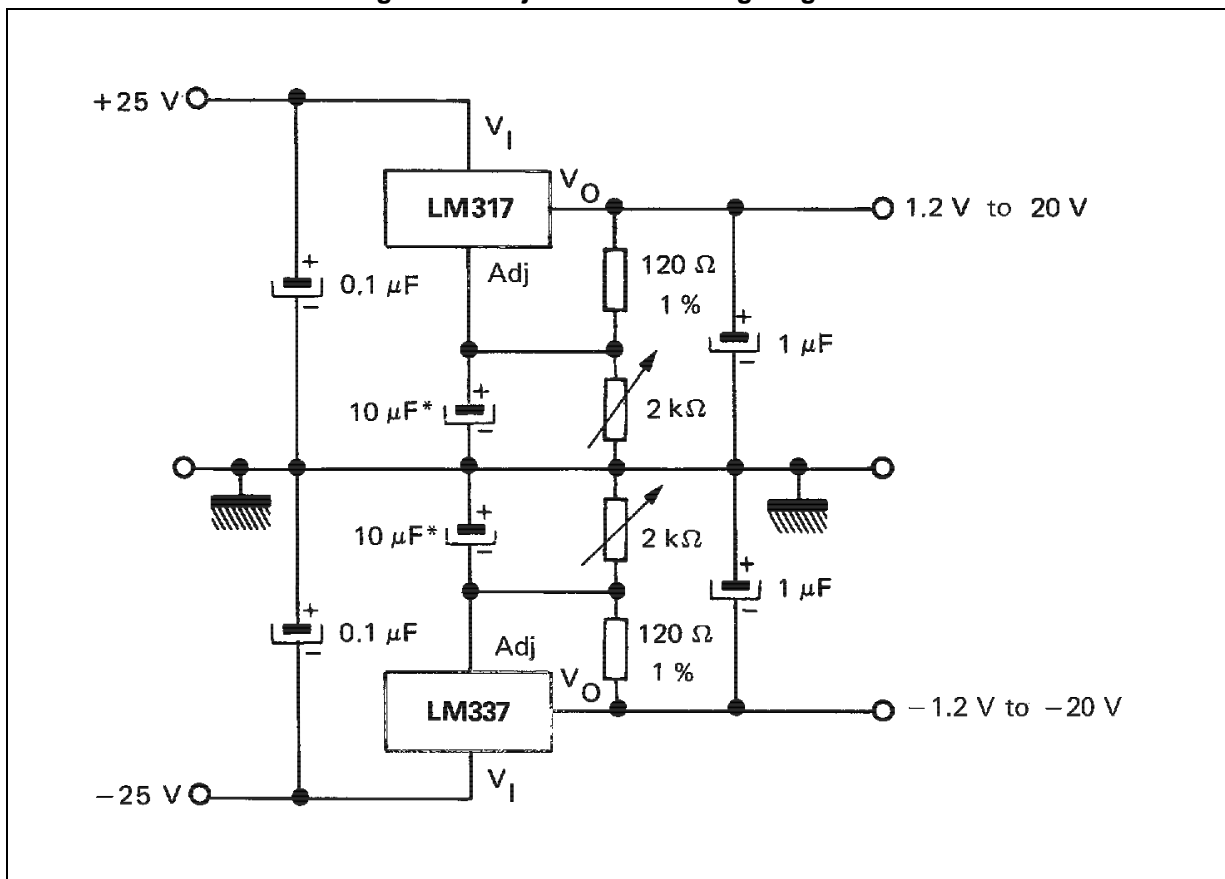
Figure 15. Adjustable negative voltage regulator



\* C1 = 1 μF solid tantalum or 10 μF aluminium electrolytic required for stability.

\*\* C2 = 1 μF solid tantalum is required only if regulator is more than 10 cm from power supply filter capacitors

Figure 16. Adjustable lab voltage regulator



\* The 10 μF capacitors are optimal to improve ripple rejection.

Figure 17. Current regulator

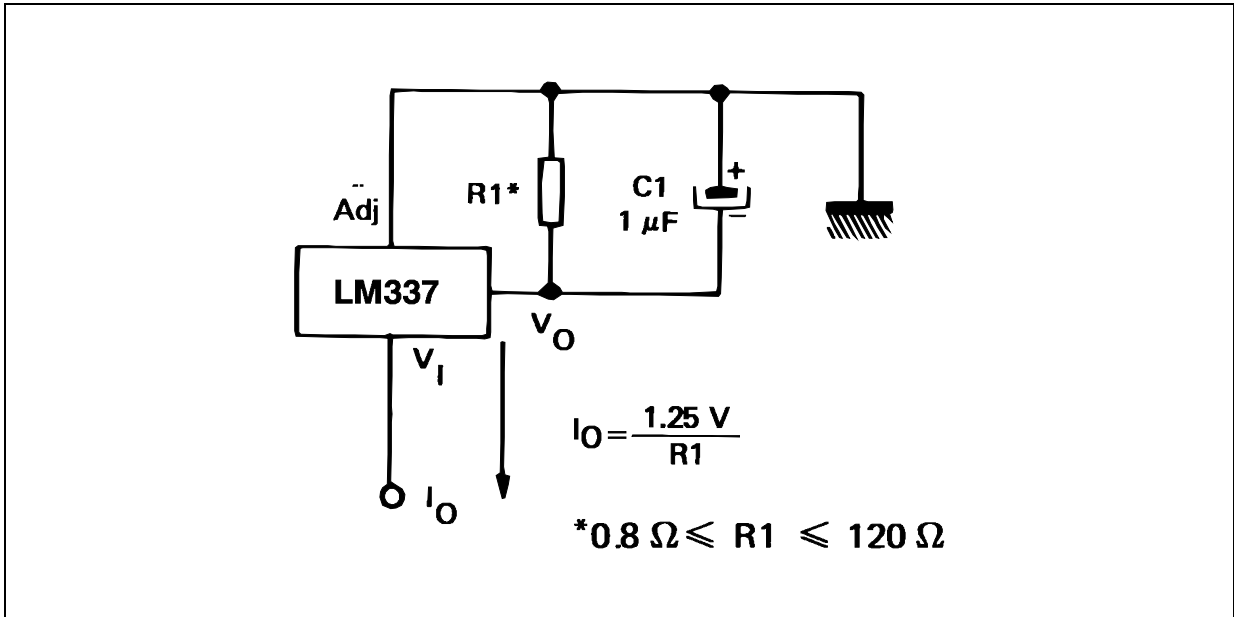
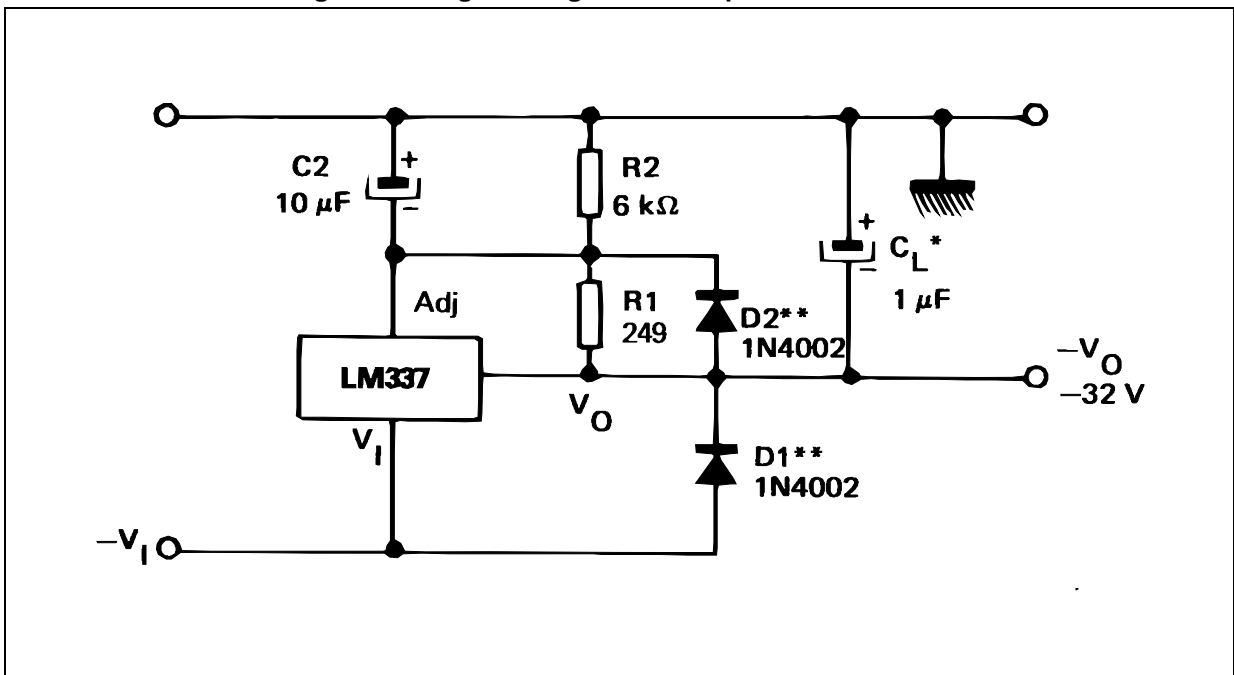


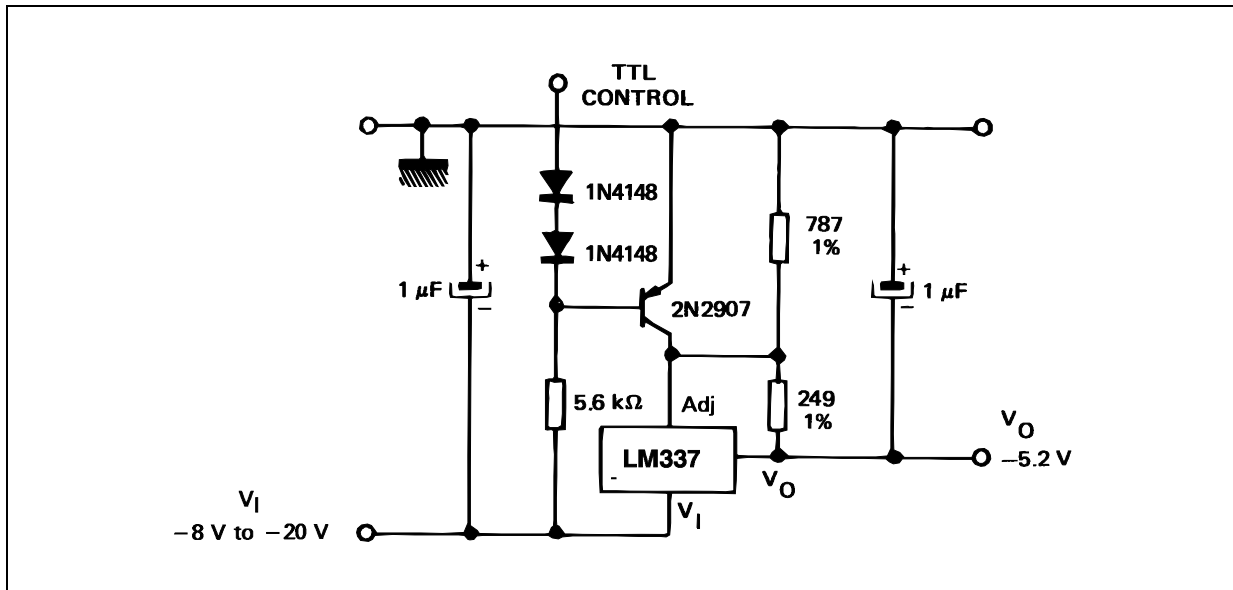
Figure 18. Negative regulator with protection diodes



\* When CL is larger than 20 μF, D1 protects the LM337 in case the input supply is shorted.

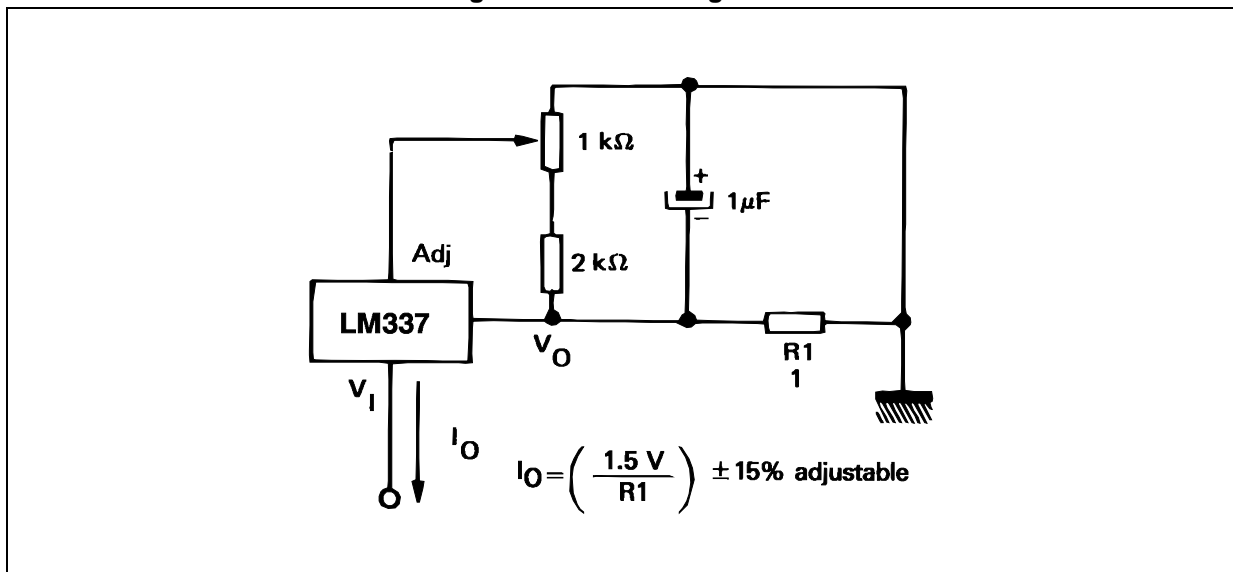
\*\* When C2 is larger than 10 μF and VO is larger than -25 V, D2 protects the LM337 in case the output is shorted.

Figure 19. - 5.2 V regulator with electronic shutdown (1)



1. Minimum output = - 1.3 V when control input is low.

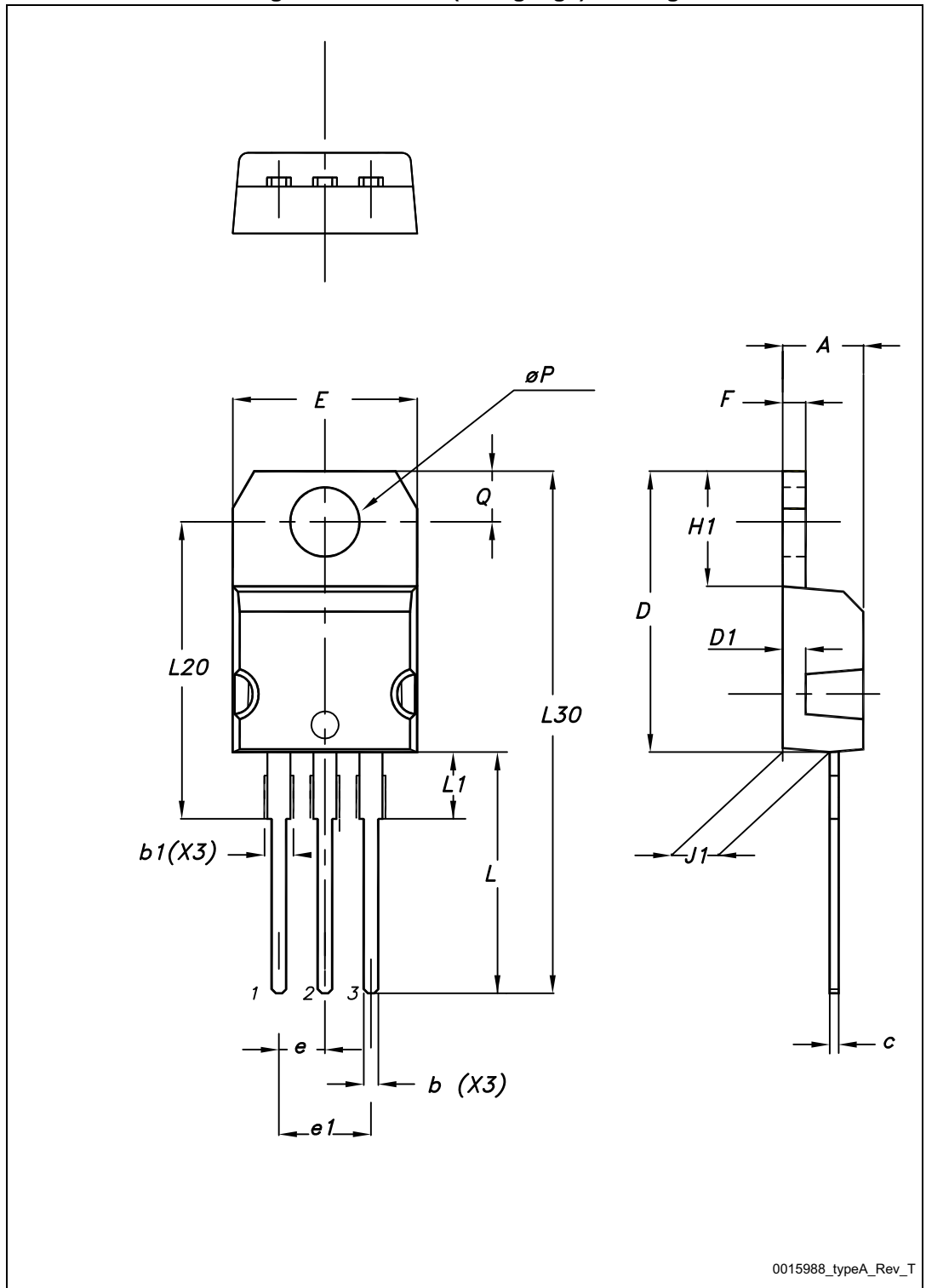
Figure 20. Current regulator



## 8 Package mechanical data

In order to meet environmental requirements, ST offers these devices in different grades of ECOPACK<sup>®</sup> packages, depending on their level of environmental compliance. ECOPACK<sup>®</sup> specifications, grade definitions and product status are available at: [www.st.com](http://www.st.com). ECOPACK<sup>®</sup> is an ST trademark.

Figure 21. TO-220 (dual gauge) drawing



0015988\_typeA\_Rev\_T

Table 5. TO-220 mechanical data

Dim.	mm		
	Min.	Typ.	Max.
A	4.40		4.60
b	0.61		0.88
b1	1.14		1.70
c	0.48		0.70
D	15.25		15.75
D1		1.27	
E	10		10.40
e	2.40		2.70
e1	4.95		5.15
F	1.23		1.32
H1	6.20		6.60
J1	2.40		2.72
L	13		14
L1	3.50		3.93
L20		16.40	
L30		28.90	
ØP	3.75		3.85
Q	2.65		2.95

## 9 Revision history

**Table 6. Document revision history**

Date	Revision	Changes
19-Jul-2004	1	First issue.
10-Jan-2005	2	Modified pin connection for TO-3.
17-Jul-2008	3	Added: <a href="#">Table 1 on page 1</a> .
03-Oct-2011	4	Modified: <a href="#">Table 1 on page 1</a> .
05-May-2014	5	The part number LM137 has been moved to a separate datasheet. Removed TO-3 package. Updated the description in cover page. Modified <a href="#">Table 1: Device summary</a> , <a href="#">Section 2: Pin configuration</a> , <a href="#">Section 3: Maximum ratings</a> , <a href="#">Section 4: Electrical characteristics</a> , <a href="#">Section 6: Thermal regulation</a> and <a href="#">Section 8: Package mechanical data</a> . Minor text changes.

**Please Read Carefully:**

Information in this document is provided solely in connection with ST products. STMicroelectronics NV and its subsidiaries ("ST") reserve the right to make changes, corrections, modifications or improvements, to this document, and the products and services described herein at any time, without notice.

All ST products are sold pursuant to ST's terms and conditions of sale.

Purchasers are solely responsible for the choice, selection and use of the ST products and services described herein, and ST assumes no liability whatsoever relating to the choice, selection or use of the ST products and services described herein.

No license, express or implied, by estoppel or otherwise, to any intellectual property rights is granted under this document. If any part of this document refers to any third party products or services it shall not be deemed a license grant by ST for the use of such third party products or services, or any intellectual property contained therein or considered as a warranty covering the use in any manner whatsoever of such third party products or services or any intellectual property contained therein.

**UNLESS OTHERWISE SET FORTH IN ST'S TERMS AND CONDITIONS OF SALE ST DISCLAIMS ANY EXPRESS OR IMPLIED WARRANTY WITH RESPECT TO THE USE AND/OR SALE OF ST PRODUCTS INCLUDING WITHOUT LIMITATION IMPLIED WARRANTIES OF MERCHANTABILITY, FITNESS FOR A PARTICULAR PURPOSE (AND THEIR EQUIVALENTS UNDER THE LAWS OF ANY JURISDICTION), OR INFRINGEMENT OF ANY PATENT, COPYRIGHT OR OTHER INTELLECTUAL PROPERTY RIGHT.**

**ST PRODUCTS ARE NOT DESIGNED OR AUTHORIZED FOR USE IN: (A) SAFETY CRITICAL APPLICATIONS SUCH AS LIFE SUPPORTING, ACTIVE IMPLANTED DEVICES OR SYSTEMS WITH PRODUCT FUNCTIONAL SAFETY REQUIREMENTS; (B) AERONAUTIC APPLICATIONS; (C) AUTOMOTIVE APPLICATIONS OR ENVIRONMENTS, AND/OR (D) AEROSPACE APPLICATIONS OR ENVIRONMENTS. WHERE ST PRODUCTS ARE NOT DESIGNED FOR SUCH USE, THE PURCHASER SHALL USE PRODUCTS AT PURCHASER'S SOLE RISK, EVEN IF ST HAS BEEN INFORMED IN WRITING OF SUCH USAGE, UNLESS A PRODUCT IS EXPRESSLY DESIGNATED BY ST AS BEING INTENDED FOR "AUTOMOTIVE, AUTOMOTIVE SAFETY OR MEDICAL" INDUSTRY DOMAINS ACCORDING TO ST PRODUCT DESIGN SPECIFICATIONS. PRODUCTS FORMALLY ESCC, QML OR JAN QUALIFIED ARE DEEMED SUITABLE FOR USE IN AEROSPACE BY THE CORRESPONDING GOVERNMENTAL AGENCY.**

Resale of ST products with provisions different from the statements and/or technical features set forth in this document shall immediately void any warranty granted by ST for the ST product or service described herein and shall not create or extend in any manner whatsoever, any liability of ST.

ST and the ST logo are trademarks or registered trademarks of ST in various countries.

Information in this document supersedes and replaces all information previously supplied.

The ST logo is a registered trademark of STMicroelectronics. All other names are the property of their respective owners.

© 2014 STMicroelectronics - All rights reserved

STMicroelectronics group of companies



Australia - Belgium - Brazil - Canada - China - Czech Republic - Finland - France - Germany - Hong Kong - India - Israel - Italy - Japan - Malaysia - Malta - Morocco - Philippines - Singapore - Spain - Sweden - Switzerland - United Kingdom - United States of America

[www.st.com](http://www.st.com)



## Looking for pricing, stock, or lifecycle information?

Click below to explore more details on WIN SOURCE:

-  [View LM337SP](#) on WIN SOURCE
-  [STMicroelectronics](#) Information

## Optimize Your Supply Chain with WIN SOURCE Solutions

-  Global Sourcing Solution
-  Obsolete Management
-  Cost Control Management
-  Shortage Management
-  Alternative Solution
-  Excess Inventory Management