



**THE DATASHEET OF  
LM5035BSQ/NOPB**



## LM5035B PWM Controller with Integrated Half-Bridge and SyncFET Drivers

Check for Samples: [LM5035B](#)

### FEATURES

- 105V / 2A Half-Bridge Gate Drivers
- Synchronous Rectifier Control Outputs with Programmable Delays
- Synchronous Rectifiers Turned Off in Shutdown Modes.
- Reduced Deadtime Between High and Low Side Drive for Higher Maximum Duty Cycle.
- High Voltage (105V) Start-up Regulator
- Voltage mode Control with Line Feed-Forward and Volt Second Limiting
- Resistor Programmed, 2MHz Capable Oscillator
- Programmable Line Under-Voltage Lockout and Over-Voltage Protection
- Internal Thermal Shutdown Protection
- Adjustable Soft-Start
- Versatile Dual Mode Over-Current Protection with Hiccup Delay Timer
- Cycle-by-Cycle Over-Current Protection
- Direct Opto-coupler Interface
- 5V Reference Output

### PACKAGES

- TSSOP-20
- WQFN-24 (4mm x 5mm)

### DESCRIPTION

The LM5035B Half-Bridge Controller/Gate Driver contains all of the features necessary to implement half-bridge topology power converters using voltage mode control with line voltage feed-forward.

The LM5035B is a functional variant of the LM5035A half-bridge PWM controller. The LM5035B provides higher maximum duty cycle and higher start-up regulator output current than the LM5035A or LM5035. Also, the Synchronous Rectifier drive outputs of the LM5035B are held low in shutdown modes.

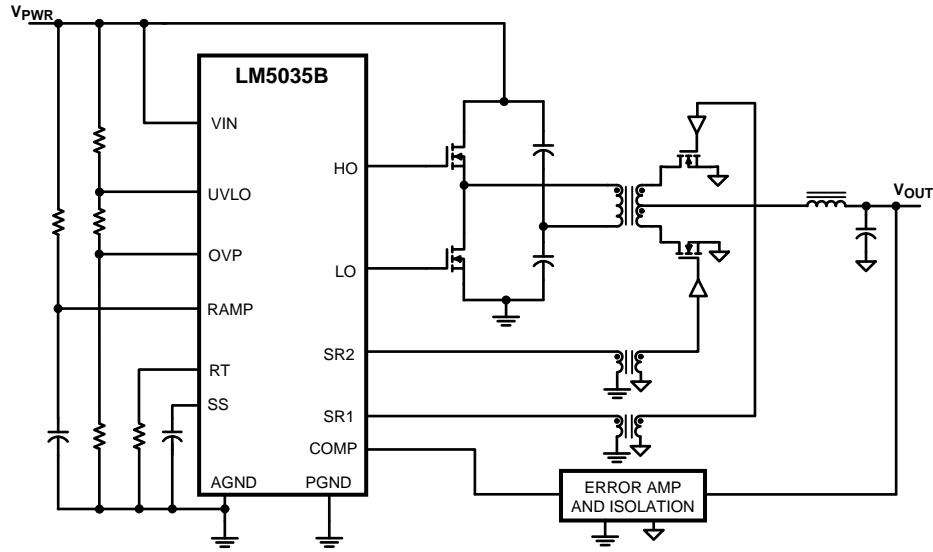
The LM5035, LM5035A, and LM5035B include a floating high-side gate driver, which is capable of operating with supply voltages up to 105V. Both the high-side and low-side gate drivers are capable of 2A peak. An internal high voltage startup regulator is included, along with programmable line undervoltage lockout (UVLO) and overvoltage protection (OVP). The oscillator is programmed with a single resistor to frequencies up to 2MHz. The oscillator can also be synchronized to an external clock. A current sense input and a programmable timer provide cycle-by-cycle current limit and adjustable hiccup mode overload protection. The differences between LM5035, LM5035A, LM5035B, and LM5035C are summarized in [Table 2](#).



Please be aware that an important notice concerning availability, standard warranty, and use in critical applications of Texas Instruments semiconductor products and disclaimers thereto appears at the end of this data sheet.

All trademarks are the property of their respective owners.

Simplified Application Diagram



Connection Diagram

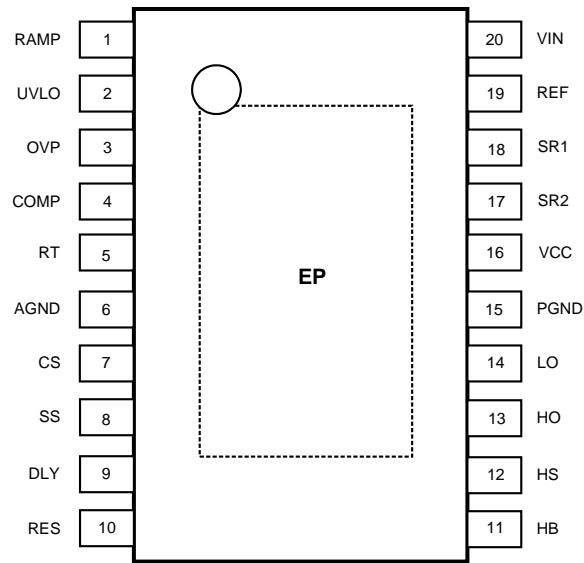


Figure 1. 20-Lead TSSOP Top View

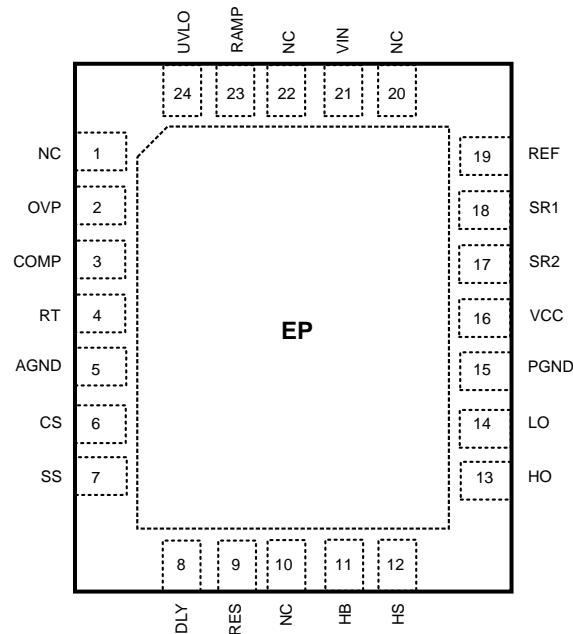


Figure 2. WQFN-24 Package  
Top View

PIN DESCRIPTIONS

| TSSOP PIN | WQFN PIN | Name | Description  | Application Information  |
|-----------|----------|------|--|--|
| 1         | 23       | RAMP | Modulator ramp signal                              | An external RC circuit from VIN sets the ramp slope. This pin is discharged at the conclusion of every cycle by an internal FET. Discharge is initiated by either the internal clock or the Volt • Second clamp comparator.  |
| 2         | 24       | UVLO | Line Under-Voltage Lockout                         | An external voltage divider from the power source sets the shutdown and standby comparator levels. When UVLO reaches the 0.4V threshold the VCC and REF regulators are enabled. When UVLO reaches the 1.25V threshold, the SS pin is released and the device enters the active mode. Hysteresis is set by an internal current sink that pulls 23 $\mu$ A from the external resistor divider. |
| 3         | 2        | OVP  | Line Over-Voltage Protection                       | An external voltage divider from the power source sets the shutdown levels. The threshold is 1.25V. Hysteresis is set by an internal current source that sources 23 $\mu$ A into the external resistor divider.  |
| 4         | 3        | COMP | Input to the Pulse Width Modulator                 | An external opto-coupler connected to the COMP pin sources current into an internal NPN current mirror. The PWM duty cycle is maximum with zero input current, while 1mA reduces the duty cycle to zero. The current mirror improves the frequency response by reducing the AC voltage across the opto-coupler detector.   |
| 5         | 4        | RT   | Oscillator Frequency Control and Sync Clock Input. | Normally biased at 2V. An external resistor connected between RT and AGND sets the internal oscillator frequency. The internal oscillator can be synchronized to an external clock with a frequency higher than the free running frequency set by the RT resistor.   |
| 6         | 5        | AGND | Analog Ground                                      | Connect directly to Power Ground.  |
| 7         | 6        | CS   | Current Sense input for current limit              | If CS exceeds 0.25V the output pulse will be terminated, entering cycle-by-cycle current limit. An internal switch holds CS low for 50ns after HO or LO switches high to blank leading edge transients.  |

### PIN DESCRIPTIONS (continued)

| TSSOP PIN | WQFN PIN | Name | Description  | Application Information   |
|-----------|----------|------|--|---|
| 8         | 7        | SS   | Soft-start Input   | An internal 110 $\mu$ A current source charges an external capacitor to set the soft-start rate. During a current limit restart sequence, the internal current source is reduced to 1.2 $\mu$ A to increase the delay before retry.   |
| 9         | 8        | DLY  | Timing programming pin for the LO and HO to SR1 and SR2 outputs.                     | An external resistor to ground sets the timing for the non-overlap time of HO to SR1 and LO to SR2.   |
| 10        | 9        | RES  | Restart Timer  | If cycle-by-cycle current limit is exceeded during any cycle, a 22 $\mu$ A current is sourced to the RES pin capacitor. If the RES capacitor voltage reaches 2.5V, the soft-start capacitor will be fully discharged and then released with a pull-up current of 1.2 $\mu$ A. After the first output pulse at LO (when SS > COMP offset, typically 1V), the SS pin charging current will revert to 110 $\mu$ A. |
| 11        | 11       | HB   | Boost voltage for the HO driver  | An external diode is required from VCC to HB and an external capacitor is required from HS to HB to power the HO gate driver.   |
| 12        | 12       | HS   | Switch node  | Connection common to the transformer and both power switches. Provides a return path for the HO gate driver.  |
| 13        | 13       | HO   | High side gate drive output.   | Output of the high side PWM gate driver. Capable of sinking 2A peak current.  |
| 14        | 14       | LO   | Low side gate drive output.  | Output of the low side PWM gate driver. Capable of sinking 2A peak current.   |
| 15        | 15       | PGND | Power Ground   | Connect directly to Analog Ground.  |
| 16        | 16       | VCC  | Output of the high voltage start-up regulator. The VCC voltage is regulated to 7.6V. | If an auxiliary winding raises the voltage on this pin above the regulation setpoint, the Start-up Regulator will shutdown, thus reducing the internal power dissipation.   |
| 17        | 17       | SR2  | Synchronous rectifier driver output.   | Control output of the synchronous FET gate. Capable of 0.5A peak current.   |
| 18        | 18       | SR1  | Synchronous rectifier driver output.   | Control output of the synchronous FET gate. Capable of 0.5A peak current.   |
| 19        | 19       | REF  | Output of 5V Reference   | Maximum output current is 20mA. Locally decoupled with a 0.1 $\mu$ F capacitor.   |
| 20        | 21       | VIN  | Input voltage source   | Input to the Start-up Regulator. Operating input range is 13V to 100V with transient capability to 105V. For power sources outside of this range, the LM5035B can be biased directly at VCC by an external regulator.   |
| EP        | EP       | EP   | Exposed Pad, underside of package  | No electrical contact. Connect to system ground plane for reduced thermal resistance.   |
|           | 1        | NC   | No connection  | No electrical contact.  |
|           | 10       | NC   | No connection  | No electrical contact.  |
|           | 20       | NC   | No connection  | No electrical contact.  |
|           | 22       | NC   | No connection  | No electrical contact.  |



These devices have limited built-in ESD protection. The leads should be shorted together or the device placed in conductive foam during storage or handling to prevent electrostatic damage to the MOS gates.

**Absolute Maximum Ratings<sup>(1)(2)</sup>**

|                           |                  |     |
|---------------------------|------------------|-----|
| VIN to GND                | -0.3V to 105V    |     |
| HS to GND                 | -1V to 105V      |     |
| HB to GND                 | -0.3V to 118V    |     |
| HB to HS                  | -0.3V to 18V     |     |
| VCC to GND                | -0.3V to 16V     |     |
| RT, DLY to GND            | -0.3V to 5.5V    |     |
| COMP Input Current        | 10mA             |     |
| CS                        | 1.0V             |     |
| All other inputs to GND   | -0.3V to 7V      |     |
| ESD Rating <sup>(3)</sup> | Human Body Model | 2kV |
| Storage Temperature Range | -65°C to 150°C   |     |
| Junction Temperature      | 150°C            |     |

- (1) Absolute Maximum Ratings are limits beyond which damage to the device may occur. Operating Ratings are conditions under which operation of the device is intended to be functional. For ensured specifications and test conditions, see the Electrical Characteristics.
- (2) If Military/Aerospace specified devices are required, please contact the Texas Instruments Sales Office/ Distributors for availability and specifications.
- (3) The human body model is a 100 pF capacitor discharged through a 1.5 kΩ resistor into each pin. 2kV for all pins. The HB, HO, and HS pins are rated for 150V, machine model.

**Operating Ratings<sup>(1)</sup>**

|                                 |                 |
|---------------------------------|-----------------|
| VIN Voltage                     | 13V to 105V     |
| External Voltage Applied to VCC | 8V to 15V       |
| Operating Junction Temperature  | -40°C to +125°C |

- (1) Absolute Maximum Ratings are limits beyond which damage to the device may occur. Operating Ratings are conditions under which operation of the device is intended to be functional. For ensured specifications and test conditions, see the Electrical Characteristics.

**Electrical Characteristics**

Specifications with standard typeface are for  $T_J = 25^\circ\text{C}$ , and those with **boldface** type apply over full **Operating Junction Temperature range**.  $V_{VIN} = 48\text{V}$ ,  $V_{VCC} = 10\text{V}$  externally applied,  $R_{RT} = 15.0\text{ k}\Omega$ ,  $R_{DLY} = 27.4\text{ k}\Omega$ ,  $V_{UVLO} = 3\text{V}$ ,  $V_{OVP} = 0\text{V}$  unless otherwise stated<sup>(1)(2)</sup>.

| Symbol  | Parameter                                    | Conditions   | Min          | Typ  | Max          | Units         |
|---|--|--|--------------|------|--------------|---------------|
| <b>Startup Regulator (VCC pin)</b>                    |  |  |              |      |              |               |
| $V_{VCC}$   | VCC voltage                                  | $I_{VCC} = 10\text{mA}$  | <b>7.3</b>   | 7.6  | <b>7.9</b>   | V             |
| $I_{VCC(LIM)}$  | VCC current limit                            | $V_{VCC} = 7\text{V}$  | <b>58</b>    |      |              | mA            |
| $V_{VCCUV}$   | VCC Under-voltage threshold (VCC increasing) | $V_{IN} = V_{VCC}$ , $\Delta V_{VCC}$ from the regulation setpoint | <b>0.2</b>   | 0.1  |              | V             |
|   | VCC decreasing                               | $V_{VCC} - \text{PGND}$  | <b>5.5</b>   | 6.2  | <b>6.9</b>   | V             |
| $I_{VIN}$   | Startup regulator current                    | $V_{IN} = 90\text{V}$ , $UVLO = 0\text{V}$                         |              | 30   | <b>70</b>    | $\mu\text{A}$ |
|   | Supply current into VCC from external source | Outputs & COMP open, $V_{VCC} = 10\text{V}$ , Outputs Switching    |              | 4    | <b>6</b>     | mA            |
| <b>Voltage Reference Regulator (REF pin)</b>          |  |  |              |      |              |               |
| $V_{REF}$   | REF Voltage                                  | $I_{REF} = 0\text{mA}$   | <b>4.85</b>  | 5    | <b>5.15</b>  | V             |
|   | REF Voltage Regulation                       | $I_{REF} = 0$ to 10mA  |              | 25   | <b>50</b>    | mV            |
|   | REF Current Limit                            | REF = 4.5V   | <b>15</b>    | 20   |              | mA            |
| <b>Under-Voltage Lock Out and shutdown (UVLO pin)</b> |  |  |              |      |              |               |
| $V_{UVLO}$  | Under-voltage threshold                      |  | <b>1.212</b> | 1.25 | <b>1.288</b> | V             |
| $I_{UVLO}$  | Hysteresis current                           | UVLO pin sinking   | <b>19</b>    | 23   | <b>27</b>    | $\mu\text{A}$ |
|   | Under-voltage Shutdown Threshold             | UVLO voltage falling   |              | 0.3  |              | V             |

- (1) All limits are specified. All electrical characteristics having room temperature limits are tested during production with  $T_A = 25^\circ\text{C}$ . All hot and cold limits are specified by correlating the electrical characteristics to process and temperature variations and applying statistical process control.
- (2) Typical specifications represent the most likely parametric norm at  $25^\circ\text{C}$  operation

## Electrical Characteristics (continued)

Specifications with standard typeface are for  $T_J = 25^\circ\text{C}$ , and those with **boldface** type apply over full **Operating Junction Temperature range**.  $V_{\text{VIN}} = 48\text{V}$ ,  $V_{\text{VCC}} = 10\text{V}$  externally applied,  $R_{\text{RT}} = 15.0\text{ k}\Omega$ ,  $R_{\text{DLY}} = 27.4\text{ k}\Omega$ ,  $V_{\text{UVLO}} = 3\text{V}$ ,  $V_{\text{OVP}} = 0\text{V}$  unless otherwise stated<sup>(1)(2)</sup>.

| Symbol  | Parameter                                      | Conditions   | Min          | Typ  | Max          | Units         |
|---|--|--|--------------|------|--------------|---------------|
|   | Under-voltage Standby Enable Threshold         | UVLO voltage rising  |              | 0.4  |              | V             |
| <b>Over-Voltage Protection (OVP pin)</b>        |  |  |              |      |              |               |
| $V_{\text{OVP}}$                                | Over-Voltage threshold                         |  | <b>1.212</b> | 1.25 | <b>1.288</b> | V             |
| $I_{\text{OVP}}$                                | Hysteresis current                             | OVP pin sourcing   | <b>19</b>    | 23   | <b>27</b>    | $\mu\text{A}$ |
| <b>Current Sense Input (CS Pin)</b>             |  |  |              |      |              |               |
| $V_{\text{CS}}$                                 | Current Limit Threshold                        |  | <b>0.228</b> | 0.25 | <b>0.272</b> | V             |
|   | CS delay to output                             | CS from zero to 1V. Time for HO and LO to fall to 90% of VCC. Output load = 0 pF.                      |              | 80   |              | ns            |
|   | Leading edge blanking time at CS               |  |              | 50   |              | ns            |
|   | CS sink impedance (clocked)                    | Internal FET sink impedance  |              | 32   | <b>60</b>    | $\Omega$      |
| <b>Current Limit Restart (RES Pin)</b>          |  |  |              |      |              |               |
| $V_{\text{RES}}$                                | RES Threshold                                  |  | <b>2.4</b>   | 2.5  | <b>2.6</b>   | V             |
|   | Charge source current                          | $V_{\text{RES}} = 1.5\text{V}$   | <b>16</b>    | 22   | <b>28</b>    | $\mu\text{A}$ |
|   | Discharge sink current                         | $V_{\text{RES}} = 1\text{V}$   | <b>8</b>     | 12   | <b>16</b>    | $\mu\text{A}$ |
| <b>Soft-Start (SS Pin)</b>                      |  |  |              |      |              |               |
| $I_{\text{SS}}$                                 | Charging current in normal operation           | $V_{\text{SS}} = 0$  | <b>80</b>    | 110  | <b>140</b>   | $\mu\text{A}$ |
|   | Charging current during a hiccup mode restart  | $V_{\text{SS}} = 0$  | <b>0.6</b>   | 1.2  | <b>1.8</b>   | $\mu\text{A}$ |
|   | Soft-stop Current Sink                         | $V_{\text{SS}} = 2.5\text{V}$  | <b>80</b>    | 110  | <b>140</b>   | $\mu\text{A}$ |
| <b>Oscillator (RT Pin)</b>                      |  |  |              |      |              |               |
| $F_{\text{SW1}}$                                | Frequency 1 (at HO, half oscillator frequency) | $R_{\text{RT}} = 15\text{ k}\Omega$ , $T_J = 25^\circ\text{C}$   | <b>185</b>   | 200  | <b>215</b>   | kHz           |
|   |  | $R_{\text{RT}} = 15\text{ k}\Omega$ , $T_J = -40^\circ\text{C}$ to $125^\circ\text{C}$                 | <b>180</b>   |      | <b>220</b>   |               |
| $F_{\text{SW2}}$                                | Frequency 2 (at HO, half oscillator frequency) | $R_{\text{RT}} = 5.49\text{ k}\Omega$  | <b>430</b>   | 500  | <b>570</b>   | kHz           |
|   | DC level                                       |  |              | 2    |              | V             |
|   | Input Sync threshold                           |  | <b>2.5</b>   | 3    | <b>3.4</b>   | V             |
| <b>PWM Controller (Comp Pin)</b>                |  |  |              |      |              |               |
|   | Delay to output                                |  |              | 80   |              | ns            |
| $V_{\text{PWM-OS}}$                             | SS to RAMP offset                              |  | <b>0.7</b>   | 1    | <b>1.2</b>   | V             |
|   | Minimum duty cycle                             | $\text{SS} = 0\text{V}$  |              |      | <b>0</b>     | %             |
|   | Small signal impedance                         | $I_{\text{COMP}} = 600\mu\text{A}$ , COMP current to PWM voltage                                       |              | 6200 |              | $\Omega$      |
| <b>Main Output Drivers (HO and LO Pins)</b>     |  |  |              |      |              |               |
|   | Output high voltage                            | $I_{\text{OUT}} = 50\text{mA}$ , $V_{\text{HB}} - V_{\text{HO}}$ , $V_{\text{VCC}} - V_{\text{LO}}$    | <b>0.5</b>   | 0.25 |              | V             |
|   | Output low voltage                             | $I_{\text{OUT}} = 100\text{ mA}$   |              | 0.2  | <b>0.5</b>   | V             |
|   | Rise time                                      | $C_{\text{LOAD}} = 1\text{ nF}$  |              | 15   |              | ns            |
|   | Fall time                                      | $C_{\text{LOAD}} = 1\text{ nF}$  |              | 13   |              | ns            |
|   | Peak source current                            | $V_{\text{HO,LO}} = 0\text{V}$ , $V_{\text{VCC}} = 10\text{V}$   |              | 1.25 |              | A             |
|   | Peak sink current                              | $V_{\text{HO,LO}} = 10\text{V}$ , $V_{\text{VCC}} = 10\text{V}$  |              | 2    |              | A             |
|   | HB Threshold                                   | $V_{\text{CC}}$ rising   |              | 3.8  |              | V             |
| <b>Voltage Feed-Forward (RAMP Pin)</b>          |  |  |              |      |              |               |
|   | RAMP comparator threshold                      | COMP current = 0   | <b>2.4</b>   | 2.5  | <b>2.6</b>   | V             |
| <b>Synchronous Rectifier Drivers (SR1, SR2)</b> |  |  |              |      |              |               |
|   | Output high voltage                            | $I_{\text{OUT}} = 10\text{mA}$ , $V_{\text{VCC}} - V_{\text{SR1}}$ , $V_{\text{VCC}} - V_{\text{SR2}}$ | <b>0.25</b>  | 0.1  |              | V             |
|   | Output low voltage                             | $I_{\text{OUT}} = 20\text{ mA}$ (sink)   |              | 0.08 | <b>0.2</b>   | V             |

## Electrical Characteristics (continued)

Specifications with standard typeface are for  $T_J = 25^\circ\text{C}$ , and those with **boldface** type apply over full **Operating Junction Temperature range**.  $V_{\text{VIN}} = 48\text{V}$ ,  $V_{\text{VCC}} = 10\text{V}$  externally applied,  $R_{\text{RT}} = 15.0\text{ k}\Omega$ ,  $R_{\text{DLY}} = 27.4\text{ k}\Omega$ ,  $V_{\text{UVLO}} = 3\text{V}$ ,  $V_{\text{OVP}} = 0\text{V}$  unless otherwise stated<sup>(1)(2)</sup>.

| Symbol                    | Parameter   | Conditions   | Min       | Typ | Max        | Units              |
|---------------------------|---|--|-----------|-----|------------|--------------------|
|                           | Rise time   | $C_{\text{LOAD}} = 1\text{ nF}$                                  |           | 40  |            | ns                 |
|                           | Fall time   | $C_{\text{LOAD}} = 1\text{ nF}$                                  |           | 20  |            | ns                 |
|                           | Peak source current   | $V_{\text{SR}} = 0$ , $V_{\text{VCC}} = 10\text{V}$              |           | 0.5 |            | A                  |
|                           | Peak sink current   | $V_{\text{SR}} = V_{\text{VCC}}$ , $V_{\text{VCC}} = 10\text{V}$ |           | 0.5 |            | A                  |
| T1                        | Deadtime, SR1 falling to HO rising,<br>SR2 falling to LO rising | $R_{\text{DLY}} = 10\text{k}$                                    |           | 33  |            | ns                 |
|                           |   | $R_{\text{DLY}} = 27.4\text{k}$                                  | <b>68</b> | 86  | <b>120</b> | ns                 |
|                           |   | $R_{\text{DLY}} = 100\text{k}$                                   |           | 300 |            | ns                 |
| T2                        | Deadtime, HO falling to SR1 rising,<br>LO falling to SR2 rising | $R_{\text{DLY}} = 10\text{k}$                                    |           | 18  |            | ns                 |
|                           |   | $R_{\text{DLY}} = 27.4\text{k}$                                  | <b>20</b> | 29  | <b>42</b>  | ns                 |
|                           |   | $R_{\text{DLY}} = 100\text{k}$                                   |           | 80  |            | ns                 |
| <b>Thermal Shutdown</b>   |   |  |           |     |            |                    |
| $T_{\text{SD}}$           | Shutdown temperature  |  |           | 165 |            | $^\circ\text{C}$   |
|                           | Hysteresis  |  |           | 20  |            | $^\circ\text{C}$   |
| <b>Thermal Resistance</b> |   |  |           |     |            |                    |
| $\theta_{\text{JA}}$      | Junction to ambient, 0 LFPM Air Flow                            | TSSOP-20 package   |           | 40  |            | $^\circ\text{C/W}$ |
| $\theta_{\text{JC}}$      | Junction to Case (EP) Thermal resistance                        | TSSOP-20 package   |           | 4   |            | $^\circ\text{C/W}$ |
| $\theta_{\text{JA}}$      | Junction to ambient, 0 LFM Air Flow                             | WQFN-24 (4 mm x 5 mm)  |           | 40  |            | $^\circ\text{C/W}$ |
| $\theta_{\text{JC}}$      | Junction to Case Thermal resistance                             | WQFN-24 (4 mm x 5 mm)  |           | 6   |            | $^\circ\text{C/W}$ |

### Typical Performance Characteristics

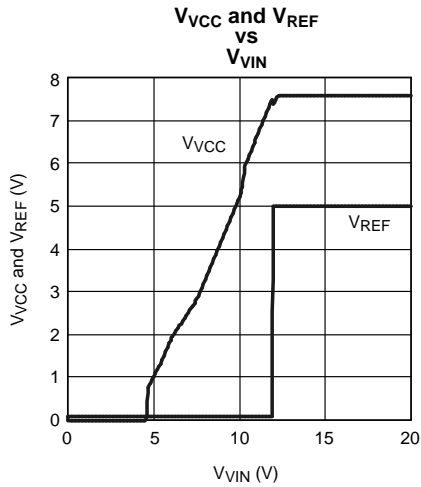


Figure 3.

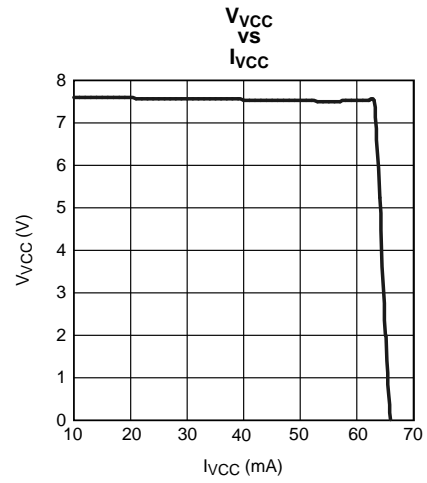


Figure 4.

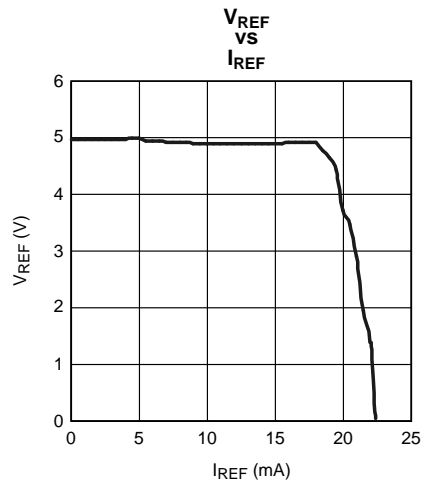


Figure 5.

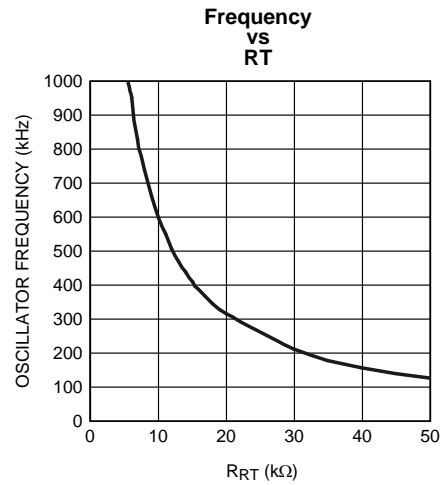


Figure 6.

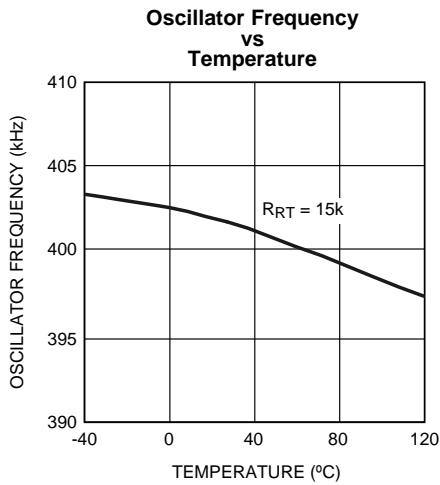


Figure 7.

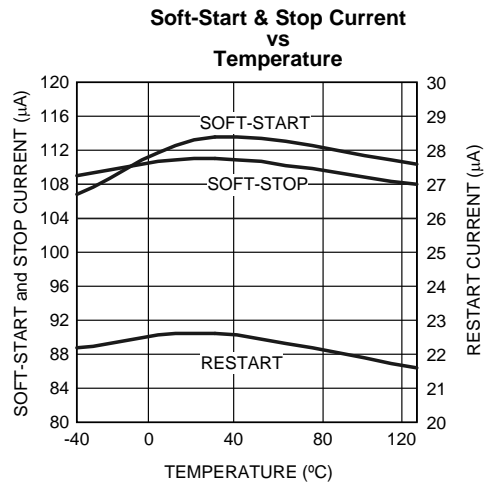


Figure 8.

Typical Performance Characteristics (continued)

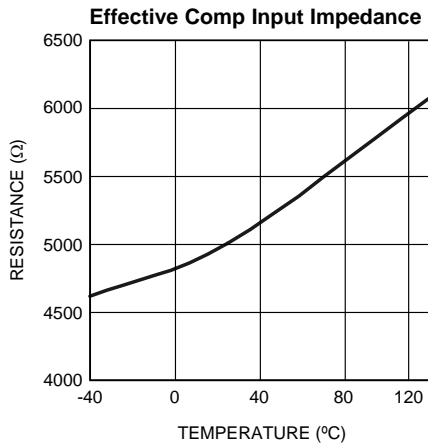


Figure 9.

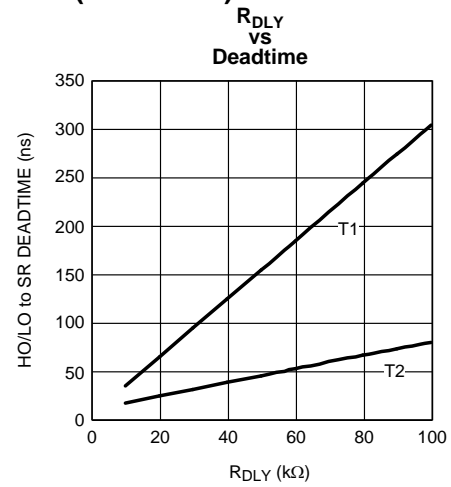


Figure 10.

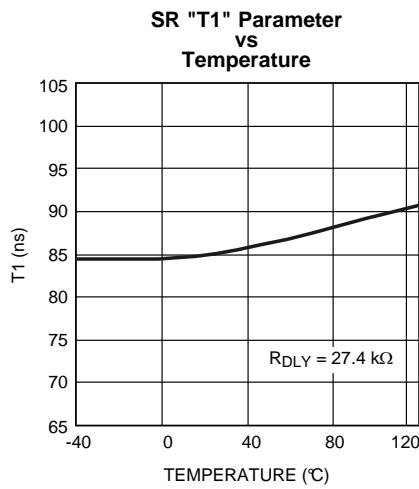


Figure 11.

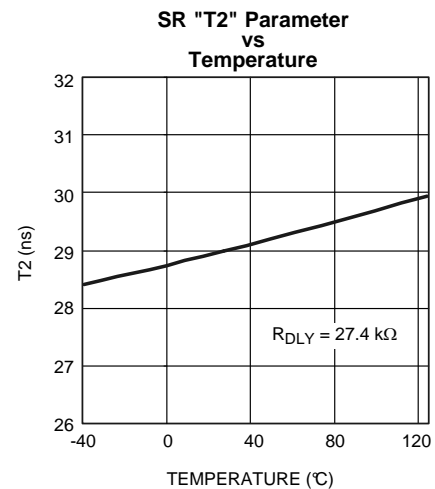


Figure 12.

Block Diagram

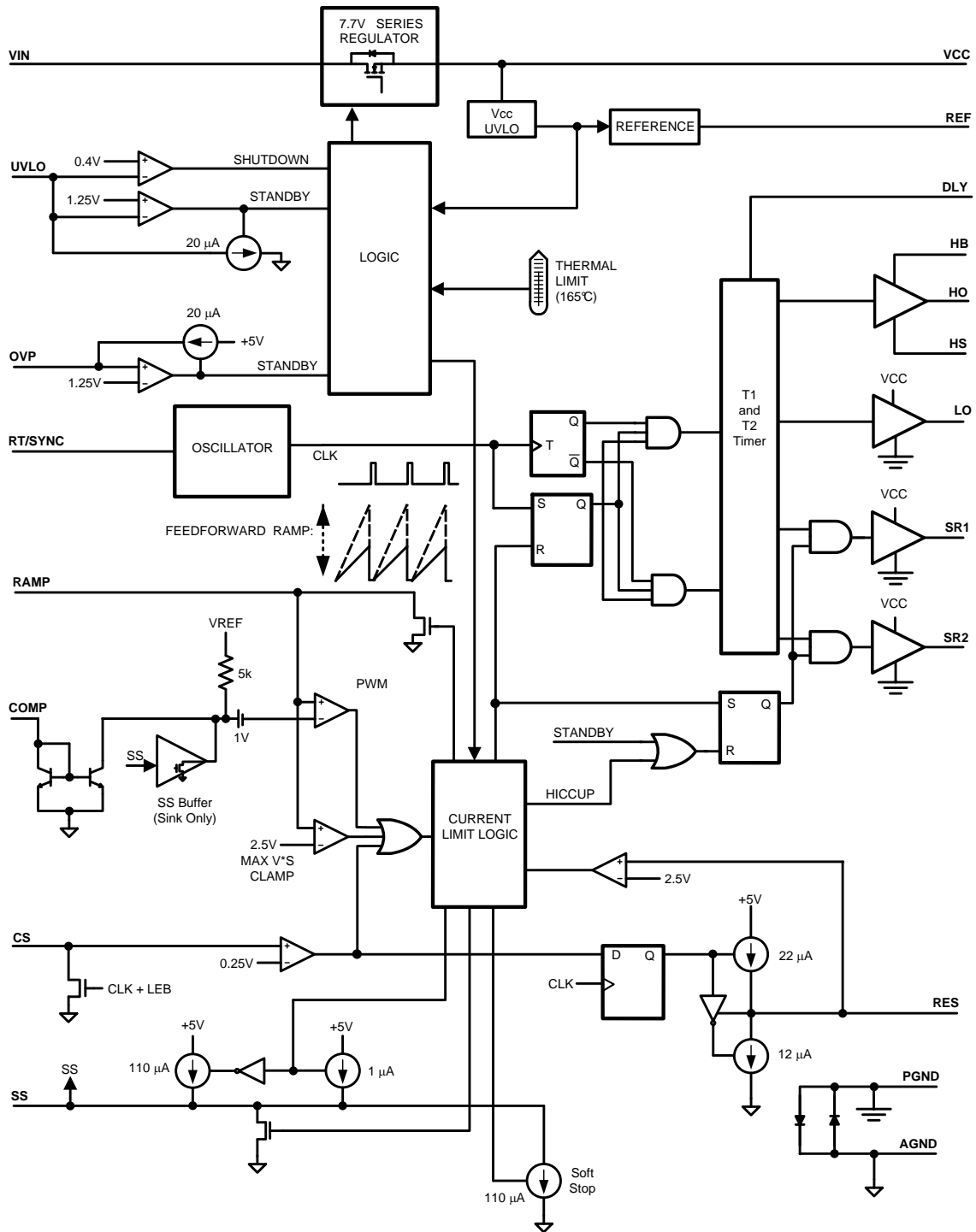


Figure 13.

## FUNCTIONAL DESCRIPTION

The LM5035B PWM controller contains all of the features necessary to implement half-bridge voltage-mode controlled power converters. The LM5035B provides two gate driver outputs to directly drive the primary side power MOSFETs and two signal level outputs to control secondary synchronous rectifiers through an isolation interface. Secondary side drivers, such as the LM5110, are typically used to provide the necessary gate drive current to control the sync MOSFETs. Synchronous rectification allows higher conversion efficiency and greater power density than conventional PN or Schottky rectifier techniques. The LM5035B can be configured to operate with bias voltages ranging from 8V to 105V. Additional features include line under-voltage lockout, cycle-by-cycle current limit, voltage feed-forward compensation, hiccup mode fault protection with adjustable delays, soft-start, a 2MHz capable oscillator with synchronization capability, precision reference, thermal shutdown and programmable volt-second clamping. These features simplify the design of voltage-mode half-bridge DC-DC power converters. The Functional Block Diagram is shown in [Figure 13](#).

### High-Voltage Start-Up Regulator

The LM5035B contains an internal high voltage start-up regulator that allows the input pin (VIN) to be connected directly to a nominal 48 VDC input voltage. The regulator input can withstand transients up to 105V. The regulator output at VCC (7.6V) is internally current limited to 58mA minimum. When the UVLO pin potential is greater than 0.4V, the VCC regulator is enabled to charge an external capacitor connected to the VCC pin. The VCC regulator provides power to the voltage reference (REF) and the output drivers (LO, SR1 and SR2). When the voltage on the VCC pin exceeds the UVLO threshold of 7.6V, the internal voltage reference (REF) reaches its regulation setpoint of 5V and the UVLO voltage is greater than 1.25V, the controller outputs are enabled. The value of the VCC capacitor depends on the total system design, and its start-up characteristics. The recommended range of values for the VCC capacitor is 0.1  $\mu$ F to 100  $\mu$ F.

The VCC under-voltage comparator threshold is lowered to 6.2V (typical) after VCC reaches the regulation setpoint. If VCC falls below this value, the outputs are disabled, and the soft-start capacitor is discharged. If VCC increases above 7.6V, the outputs will be enabled and a soft-start sequence will commence.

The internal power dissipation of the LM5035B can be reduced by powering VCC from an external supply. In typical applications, an auxiliary transformer winding is connected through a diode to the VCC pin. This winding must raise the VCC voltage above 8.3V to shut off the internal start-up regulator. Powering VCC from an auxiliary winding improves efficiency while reducing the controller's power dissipation. The under-voltage comparator circuit will still function in this mode, requiring that VCC never falls below 6.2V during the start-up sequence.

During a fault mode, when the converter auxiliary winding is inactive, external current draw on the VCC line should be limited such that the power dissipated in the start-up regulator does not exceed the maximum power dissipation of the IC package.

An external DC bias voltage can be used instead of the internal regulator by connecting the external bias voltage to both the VCC and the VIN pins. The external bias must be greater than 8.3V to exceed the VCC UVLO threshold and less than the VCC maximum operating voltage rating (15V).

### Line Under-Voltage Detector

The LM5035B contains a dual level Under-Voltage Lockout (UVLO) circuit. When the UVLO pin voltage is below 0.4V, the controller is in a low current shutdown mode. When the UVLO pin voltage is greater than 0.4V but less than 1.25V, the controller is in standby mode. In standby mode the VCC and REF bias regulators are active while the controller outputs are disabled. When the VCC and REF outputs exceed the VCC and REF under-voltage thresholds and the UVLO pin voltage is greater than 1.25V, the outputs are enabled and normal operation begins. An external set-point voltage divider from VIN to GND can be used to set the minimum operating voltage of the converter. The divider must be designed such that the voltage at the UVLO pin will be greater than 1.25V when VIN enters the desired operating range. UVLO hysteresis is accomplished with an internal 23  $\mu$ A current sink that is switched on or off into the impedance of the set-point divider. When the UVLO threshold is exceeded, the current sink is deactivated to quickly raise the voltage at the UVLO pin. When the UVLO pin voltage falls below the 1.25V threshold, the current sink is enabled causing the voltage at the UVLO pin to quickly fall. The hysteresis of the 0.4V shutdown comparator is internally fixed at 100 mV.

The UVLO pin can also be used to implement various remote enable / disable functions. Turning off a converter by forcing the UVLO pin to the standby condition provides a controlled soft-stop. See the [Soft Start](#) section for more details.

### Line Over Voltage / Load Over Voltage / Remote Thermal Protection

The LM5035B provides a multi-purpose OVP pin that supports several fault protection functions. When the OVP pin voltage exceeds 1.25V, the controller is held in standby mode which immediately halts the PWM pulses at the HO and LO pins. In standby mode, the VCC and REF bias regulators are active while the controller outputs are disabled. When the OVP pin voltage falls below the 1.25V OVP threshold, the outputs are enabled and normal soft-start sequence begins. Hysteresis is accomplished with an internal 23  $\mu$ A current source that is switched on or off into the impedance of the OVP pin set-point divider. When the OVP threshold is exceeded, the current source is enabled to quickly raise the voltage at the OVP pin. When the OVP pin voltage falls below the 1.25V threshold, the current source is disabled causing the voltage at the OVP pin to quickly fall.

Several examples of the use of this pin are provided in the [Application Information](#) section.

### Reference

The REF pin is the output of a 5V linear regulator that can be used to bias an opto-coupler transistor and external housekeeping circuits. The regulator output is internally current limited to 15mA (minimum).

### Cycle-by-Cycle Current Limit

The CS pin is driven by a signal representative of the transformer primary current. If the voltage sensed at CS pin exceeds 0.25V, the current sense comparator terminates the HO or LO output driver pulse. If the high current condition persists, the controller operates in a cycle-by-cycle current limit mode with duty cycle determined by the current sense comparator instead of the PWM comparator. Cycle-by-cycle current limiting may trigger the hiccup mode restart cycle depending on the configuration of the RES pin (see below).

A small R-C filter connect to the CS pin and located near the controller is recommended to suppress noise. An internal 32 $\Omega$  MOSFET connected to the CS input discharges the external current sense filter capacitor at the conclusion of every cycle. The discharge MOSFET remains on for an additional 50 ns after the HO or LO driver switches high to blank leading edge transients in the current sensing circuit. Discharging the CS pin filter each cycle and blanking leading edge spikes reduces the filtering requirements and improves the current sense response time.

The current sense comparator is very fast and responds to short duration noise pulses. Layout considerations are critical for the current sense filter and sense resistor. The capacitor associated with the CS filter must be placed very close to the device and connected directly to the CS and AGND pins. If a current sense transformer is used, both leads of the transformer secondary should be routed to the filter network, which should be located close to the IC. If a sense resistor located in the source of the main MOSFET switch is used for current sensing, a low inductance type of resistor is required. When designing with a current sense resistor, all of the noise sensitive low power ground connections should be connected together near the AGND pin, and a single connection should be made to the power ground (sense resistor ground point).

### Overload Protection Timer

The LM5035B provides a current limit restart timer to disable the outputs and force a delayed restart (hiccup mode) if a current limit condition is repeatedly sensed. The number of cycle-by-cycle current limit events required to trigger the restart is programmable by the external capacitor at the RES pin. During each PWM cycle, the LM5035B either sources or sinks current from the RES pin capacitor. If no current limit is detected during a cycle, a 12  $\mu$ A discharge current sink is enabled to pull the RES pin to ground. If a current limit is detected, the 12  $\mu$ A sink current is disabled and a 22 $\mu$ A current source causes the voltage at the RES pin to gradually increase. The LM5035B protects the converter with cycle-by-cycle current limiting while the voltage at RES pin increases. If the RES voltage reaches the 2.5V threshold, the following restart sequence occurs (also see [Figure 14](#)):

- The RES capacitor and SS capacitors are fully discharged
- The soft-start current source is reduced from 110  $\mu$ A to 1  $\mu$ A
- The SS capacitor voltage slowly increases. When the SS voltage reaches  $\approx$ 1V, the PWM comparator will produce the first narrow output pulse. After the first pulse occurs, the SS source current reverts to the normal 110  $\mu$ A level. The SS voltage increases at its normal rate, gradually increasing the duty cycle of the output drivers

- If the overload condition persists after restart, cycle-by-cycle current limiting will begin to increase the voltage on the RES capacitor again, repeating the hiccup mode sequence
- If the overload condition no longer exists after restart, the RES pin will be held at ground by the 12  $\mu\text{A}$  current sink and normal operation resumes

The overload timer function is very versatile and can be configured for the following modes of protection:

1. **Cycle-by-cycle only:** The hiccup mode can be completely disabled by connecting a zero to 50 k $\Omega$  resistor from the RES pin to AGND. In this configuration, the cycle-by-cycle protection will limit the output current indefinitely and no hiccup sequences will occur.
2. **Hiccup only:** The timer can be configured for immediate activation of a hiccup sequence upon detection of an overload by leaving the RES pin open circuit.
3. **Delayed Hiccup:** Connecting a capacitor to the RES pin provides a programmed interval of cycle-by-cycle limiting before initiating a hiccup mode restart, as previously described. The dual advantages of this configuration are that a short term overload will not cause a hiccup mode restart but during extended overload conditions, the average dissipation of the power converter will be very low.
4. **Externally Controlled Hiccup:** The RES pin can also be used as an input. By externally driving the pin to a level greater than the 2.5V hiccup threshold, the controller will be forced into the delayed restart sequence. For example, the external trigger for a delayed restart sequence could come from an over-temperature protection circuit or an output over-voltage sensor.

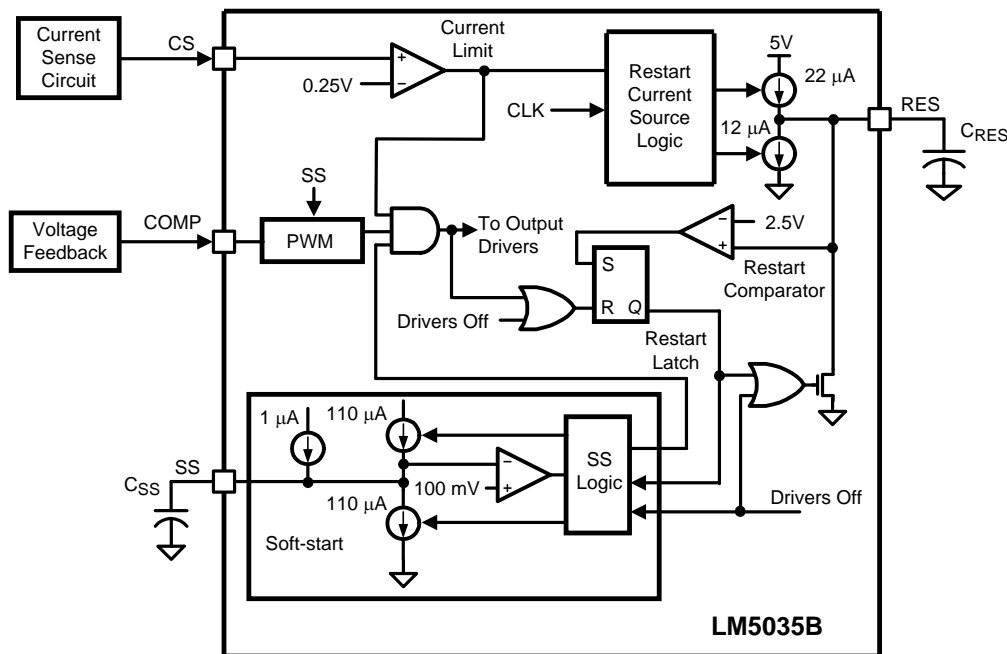
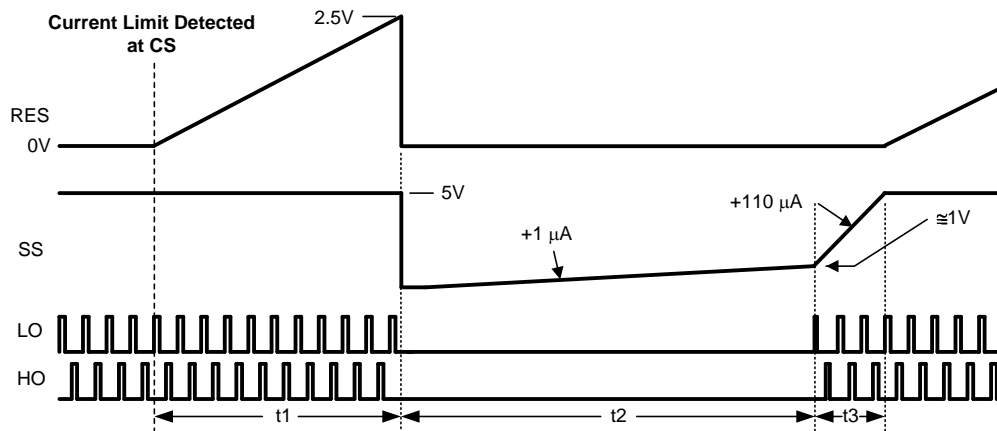
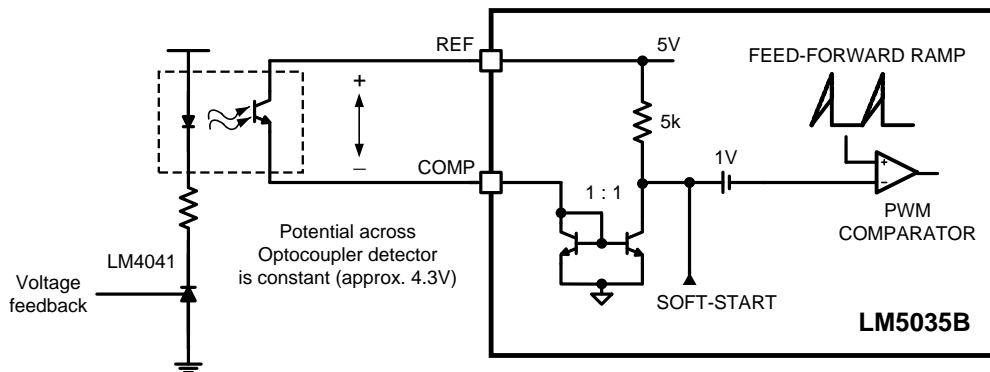


Figure 14. Current Limit Restart Circuit



**Figure 15. Current Limit Restart Timing**



**Figure 16. Optocoupler to COMP Interface**

### Soft-Start

The soft-start circuit allows the regulator to gradually reach a steady state operating point, thereby reducing start-up stresses and current surges. When bias is supplied to the LM5035B, the SS pin capacitor is discharged by an internal MOSFET. When the UVLO, VCC and REF pins reach their operating thresholds, the SS capacitor is released and charged with a 110  $\mu\text{A}$  current source. The PWM comparator control voltage is clamped to the SS pin voltage by an internal amplifier. When the PWM comparator input reaches 1V, output pulses commence with slowly increasing duty cycle. The voltage at the SS pin eventually increases to 5V, while the voltage at the PWM comparator increases to the value required for regulation as determined by the voltage feedback loop.

One method to shutdown the regulator is to ground the SS pin. This forces the internal PWM control signal to ground, reducing the output duty cycle quickly to zero. Releasing the SS pin begins a soft-start cycle and normal operation resumes. A second shutdown method is discussed in the [ULVO](#) section.

## Soft-Stop

If the UVLO pin voltage falls below the 1.25V standby threshold but above the 0.4V shutdown threshold, the 110  $\mu$ A SS pin source current is disabled and a 110  $\mu$ A sink current discharges the soft-start capacitor. As SS voltage falls and clamps the PWM comparator input, the PWM duty cycle will gradually fall to zero. The soft-stop feature produces a gradual reduction of the power converter output voltage. This soft-stop method of turning off the converter reduces energy in the output capacitor before control of the main and synchronous rectification MOSFETs is disabled. The PWM pulses may cease before the SS voltage reduces the duty cycle if the VCC or REF voltage drops below the respective under-voltage thresholds during the soft-stop process.

## PWM Comparator

The pulse width modulation (PWM) comparator compares the voltage ramp signal at the RAMP pin to the loop error signal. This comparator is optimized for speed in order to achieve minimum controllable duty cycles. The loop error signal is received from the external feedback and isolation circuit in the form of a control current into the COMP pin. The COMP pin current is internally mirrored by a matched pair of NPN transistors which sink current through a 5 k $\Omega$  resistor connected to the 5V reference. The resulting control voltage passes through a 1V level shift before being applied to the PWM comparator.

An opto-coupler detector can be connected between the REF pin and the COMP pin. Because the COMP pin is controlled by a current input, the potential difference across the optocoupler detector is nearly constant. The bandwidth limiting phase delay which is normally introduced by the significant capacitance of the opto-coupler is thereby greatly reduced. Higher loop bandwidths can be realized since the bandwidth-limiting pole associated with the opto-coupler is now at a much higher frequency. The PWM comparator polarity is configured such that with no current into the COMP pin, the controller produces the maximum duty cycle at the main gate driver outputs, HO and LO.

## Feed-Forward Ramp and Volt • Second Clamp

An external resistor ( $R_{FF}$ ) and capacitor ( $C_{FF}$ ) connected to VIN, AGND, and the RAMP pin are required to create the PWM ramp signal. The slope of the signal at RAMP will vary in proportion to the input line voltage. This varying slope provides line feed-forward information necessary to improve line transient response with voltage mode control. The RAMP signal is compared to the error signal by the pulse width modulator comparator to control the duty cycle of the HO and LO outputs. With a constant error signal, the on-time ( $T_{ON}$ ) varies inversely with the input voltage (VIN) to stabilize the Volt • Second product of the transformer primary signal. The power path gain of conventional voltage-mode pulse width modulators (oscillator generated ramp) varies directly with input voltage. The use of a line generated ramp (input voltage feed-forward) nearly eliminates this gain variation. As a result, the feedback loop is only required to make very small corrections for large changes in input voltage.

In addition to the PWM comparator, a Volt • Second Clamp comparator also monitors the RAMP pin. If the ramp amplitude exceeds the 2.5V threshold of the Volt • Second Clamp comparator, the on-time is terminated. The  $C_{FF}$  ramp capacitor is discharged by an internal 32 $\Omega$  discharge MOSFET controlled by the V•S Clamp comparator. If the RAMP signal does not exceed 2.5V before the end of the clock period, then the internal clock will enable the discharge MOSFET to reset capacitor  $C_{FF}$ .

By proper selection of  $R_{FF}$  and  $C_{FF}$  values, the maximum on-time of HO and LO can be set to the desired duration. The on-time set by the Volt • Second Clamp varies inversely to the line voltage because the RAMP capacitor is charged by a resistor ( $R_{FF}$ ) connected to VIN while the threshold of the clamp is a fixed voltage (2.5V). An example will illustrate the use of the Volt • Second Clamp comparator to achieve a 50% duty cycle limit at 200kHz with a 48V line input. A 50% duty cycle at a 200kHz requires a 2.5 $\mu$ s on-time. To achieve this maximum on-time clamp level:

$$R_{FF} \times C_{FF} = \frac{T_{ON} + 10\%}{\ln\left[\left(1 - \frac{2.5V}{VIN}\right)^{-1}\right]} = \frac{2.5 \mu s + 0.25 \mu s}{\ln\left[\left(1 - \frac{2.5V}{48V}\right)^{-1}\right]} = 51.4 \mu s \quad (1)$$

The recommended capacitor value range for  $C_{FF}$  is 100 pF to 1000 pF. 470 pF is a standard value that can be paired with an 110 k $\Omega$  to approximate the desired 51.4 $\mu$ s time constant. If load transient response is slowed by the 10% margin, the  $R_{FF}$  value can be increased. The system signal-to-noise will be slightly decreased by increasing  $R_{FF} \times C_{FF}$ .

## Oscillator, Sync Capability

The LM5035B oscillator frequency is set by a single external resistor connected between the RT and AGND pins. To set a desired oscillator frequency, the necessary RT resistor is calculated from:

$$RT = \left( \frac{1}{F_{OSC}} - 110 \text{ ns} \right) \times 6.25 \times 10^9 \quad (2)$$

For example, if the desired oscillator frequency is 400kHz (HO and LO each switching at 200 kHz) a 15 kΩ resistor would be the nearest standard one percent value.

Each output (HO, LO, SR1 and SR2) switches at half the oscillator frequency. The voltage at the RT pin is internally regulated to a nominal 2V. The RT resistor should be located as close as possible to the IC, and connected directly to the pins (RT and AGND). The tolerance of the external resistor, and the frequency tolerance indicated in the Electrical Characteristics, must be taken into account when determining the worst case frequency range.

The LM5035B can be synchronized to an external clock by applying a narrow pulse to the RT pin. The external clock must be at least 10% higher than the free-running oscillator frequency set by the RT resistor. If the external clock frequency is less than the RT resistor programmed frequency, the LM5035B will ignore the synchronizing pulses. The synchronization pulse width at the RT pin must be a minimum of 15 ns wide. The clock signal should be coupled into the RT pin through a 100 pF capacitor or a value small enough to ensure the pulse width at RT is less than 60% of the clock period under all conditions. When the synchronizing pulse transitions low-to-high (rising edge), the voltage at the RT pin must be driven to exceed 3.2V volts from its nominal 2 VDC level. During the clock signal's low time, the voltage at the RT pin will be clamped at 2 VDC by an internal regulator. The output impedance of the RT regulator is approximately 100Ω. The RT resistor is always required, whether the oscillator is free running or externally synchronized.

## Gate Driver Outputs (HO & LO)

The LM5035B provides two alternating gate driver outputs, the floating high side gate driver HO and the ground referenced low side driver LO. Each driver is capable of sourcing 1.25A and sinking 2A peak. The HO and LO outputs operate in an alternating manner, at one-half the internal oscillator frequency. The LO driver is powered directly by the VCC regulator. The HO gate driver is powered from a bootstrap capacitor connected between HB and HS. An external diode connected between VCC (anode pin) and HB (cathode pin) provides the high side gate driver power by charging the bootstrap capacitor from VCC when the switch node (HS pin) is low. When the high side MOSFET is turned on, HB rises to a peak voltage equal to  $V_{VCC} + V_{HS}$  where  $V_{HS}$  is the switch node voltage.

The HB and VCC capacitors should be placed close to the pins of the LM5035B to minimize voltage transients due to parasitic inductances since the peak current sourced to the MOSFET gates can exceed 1.25A. The recommended value of the HB capacitor is 0.01 μF or greater. A low ESR / ESL capacitor, such as a surface mount ceramic, should be used to prevent voltage droop during the HO transitions.

The maximum duty cycle for each output is equal to or slightly less than 50% due to any programmed sync rectifier delay. The programmed sync rectifier delay is determined by the DLY pin resistor. If the COMP pin is open circuit, the outputs will operate at maximum duty cycle. The maximum duty cycle for each output can be calculated with the following equation:

$$\text{Maximum Duty Cycle} = \frac{\frac{1}{2}T_S - T_1}{T_S}$$

where

- $T_S$  is the period of one complete cycle for either the HO or LO outputs
- $T_1$  is the programmed sync rectifier delay

(3)

For example, if the oscillator frequency is 200 kHz, each output will cycle at 100 kHz ( $T_S = 10 \mu s$ ). Using no programmed delay, the maximum duty cycle at this frequency is calculated to be 50%. Using a programmed sync rectifier delay of 100 ns, the maximum duty cycle is reduced to 49%. Because there is no fixed dead-time in the LM5035B, it is recommended that the delay pin resistor not be less than 10K. Internal delays, which are not ensured, are the only protection against cross conduction if the programmed delay is zero, or very small.

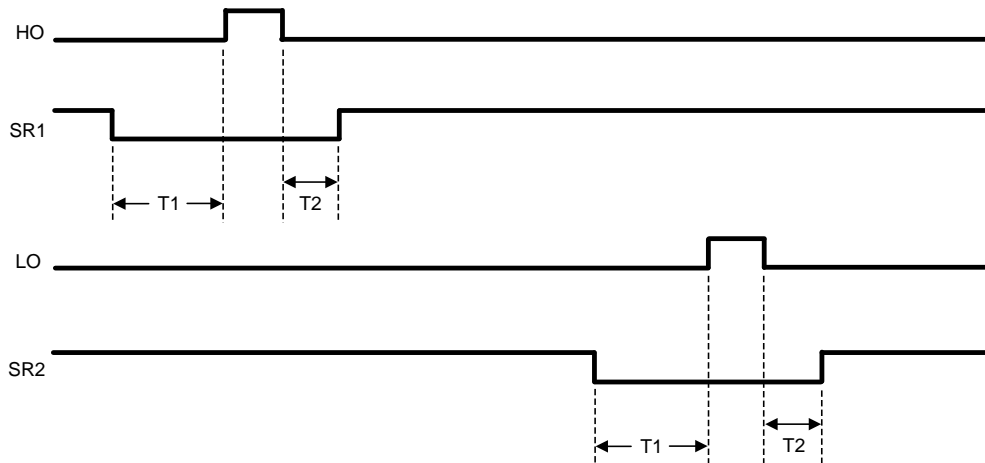


Figure 17. HO, LO, SR1 and SR2 Timing Diagram

### Synchronous Rectifier Control Outputs (SR1 & SR2)

Synchronous rectification (SR) of the transformer secondary provides higher efficiency, especially for low output voltage converters. The reduction of rectifier forward voltage drop (0.5V - 1.5V) to 10mV - 200mV  $V_{DS}$  voltage for a MOSFET significantly reduces rectification losses. In a typical application, the transformer secondary winding is center tapped, with the output power inductor in series with the center tap. The SR MOSFETs provide the ground path for the energized secondary winding and the inductor current. Figure 17 shows that the SR2 MOSFET is conducting while HO enables power transfer from the primary. The SR1 MOSFET must be disabled during this period since the secondary winding connected to the SR1 MOSFET drain is twice the voltage of the center tap. At the conclusion of the HO pulse, the inductor current continues to flow through the SR1 MOSFET body diode. Since the body diode causes more loss than the SR MOSFET, efficiency can be improved by minimizing the T2 period while maintaining sufficient timing margin over all conditions (component tolerances, etc.) to prevent shoot-through current. When LO enables power transfer from the primary, the SR1 MOSFET is enabled and the SR2 MOSFET is off.

During the time that neither HO nor LO is active, the inductor current is shared between both the SR1 and SR2 MOSFETs which effectively shorts the transformer secondary and cancels the inductance in the windings. The SR2 MOSFET is disabled before LO delivers power to the secondary to prevent power being shunted to ground. The SR2 MOSFET body diode continues to carry about half the inductor current until the primary power raises the SR2 MOSFET drain voltage and reverse biases the body diode. Ideally, dead-time T1 would be set to the minimum time that allows the SR MOSFET to turn off before the SR MOSFET body diode starts conducting.

The SR1 and SR2 outputs are powered directly by the VCC regulator. Each output is capable of sourcing and sinking 0.5A peak. Typically, the SR1 and SR2 signals control SR MOSFET gate drivers through a pulse transformer. The actual gate sourcing and sinking currents are provided by the secondary-side bias supply and gate drivers.

The timing of SR1 and SR2 with respect to HO and LO is shown in Figure 17. SR1 is configured out of phase with HO and SR2 is configured out of phase with LO. The deadtime between transitions is programmable by a resistor connected from the DLY pin to the AGND pin. Typically,  $R_{DLY}$  is set in the range of 10k $\Omega$  to 100k $\Omega$ . The deadtime periods can be calculated using the following formulae:

$$T1 = .003 \times R_{DLY} + 4.6 \text{ ns} \quad (4)$$

$$T2 = .0007 \times R_{DLY} + 10.01 \text{ ns} \quad (5)$$

When UVLO falls below 1.25V, or during hiccup current limit, both SR1 and SR2 are held low. During normal operation, if soft-start is held low, both SR1 and SR2 will be high.

## Thermal Protection

Internal Thermal Shutdown circuitry is provided to protect the integrated circuit in the event the maximum rated junction temperature is exceeded. When activated, typically at 165°C, the controller is forced into a low power standby state with the output drivers (HO, LO, SR1 and SR2), the bias regulators (VCC and REF) disabled. This helps to prevent catastrophic failures from accidental device overheating. During thermal shutdown, the soft-start capacitor is fully discharged and the controller follows a normal start-up sequence after the junction temperature falls to the operating level (145°C).

## Applications Information

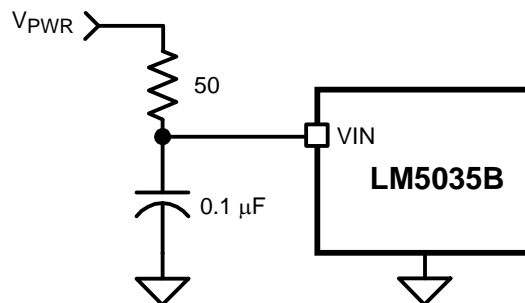
The following information is intended to provide guidelines for the power supply designer using the LM5035B.

### VIN

The voltage applied to the VIN pin, which may be the same as the system voltage applied to the power transformer's primary ( $V_{PWR}$ ), can vary in the range of 13 to 105V. The current into VIN depends primarily on the gate charge provided to the output drivers, the switching frequency, and any external loads on the VCC and REF pins. It is recommended the filter shown in [Figure 18](#) be used to suppress transients which may occur at the input supply. This is particularly important when VIN is operated close to the maximum operating rating of the LM5035B.

When power is applied to VIN and the UVLO pin voltage is greater than 0.4V, the VCC regulator is enabled and supplies current into an external capacitor connected to the VCC pin. When the voltage on the VCC pin reaches the regulation point of 7.6V, the voltage reference (REF) is enabled. The reference regulation set point is 5V. The HO, LO, SR1 and SR2 outputs are enabled when the two bias regulators reach their set point and the UVLO pin potential is greater than 1.25V. In typical applications, an auxiliary transformer winding is connected through a diode to the VCC pin. This winding must raise the VCC voltage above 8.3V to shut off the internal start-up regulator.

After the outputs are enabled and the external VCC supply voltage has begun supplying power to the IC, the current into VIN drops below 1 mA. VIN should remain at a voltage equal to or above the VCC voltage to avoid reverse current through protection diodes.



**Figure 18. Input Transient Protection**

### FOR APPLICATIONS >100V

For applications where the system input voltage exceeds 100V or the IC power dissipation is of concern, the LM5035B can be powered from an external start-up regulator as shown in [Figure 19](#). In this configuration, the VIN and the VCC pins should be connected together, which allows the LM5035B to be operated below 13V. The voltage at the VCC pin must be greater than 8.3V yet not exceed 15V. An auxiliary winding can be used to reduce the power dissipation in the external regulator once the power converter is active. The NPN base-emitter reverse breakdown voltage, which can be as low as 5V for some transistors, should be considered when selecting the transistor.

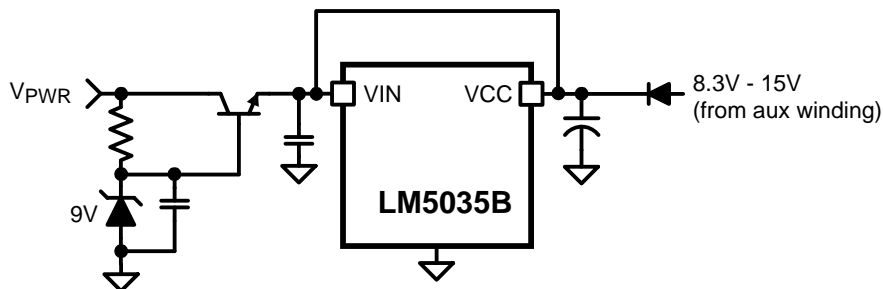


Figure 19. Start-Up Regulator for  $V_{PWR} > 100V$

### CURRENT SENSE

The CS pin needs to receive an input signal representative of the transformer's primary current, either from a current sense transformer or from a resistor in series with the source of the LO switch, as shown in Figure 20 and Figure 21. In both cases, the sensed current creates a ramping voltage across  $R_1$ , and the  $R_F/C_F$  filter suppresses noise and transients.  $R_1$ ,  $R_F$  and  $C_F$  should be located as close to the LM5035B as possible, and the ground connection from the current sense transformer, or  $R_1$ , should be a dedicated track to the AGND pin. The current sense components must provide greater than 0.25V at the CS pin when an over-current condition exists.

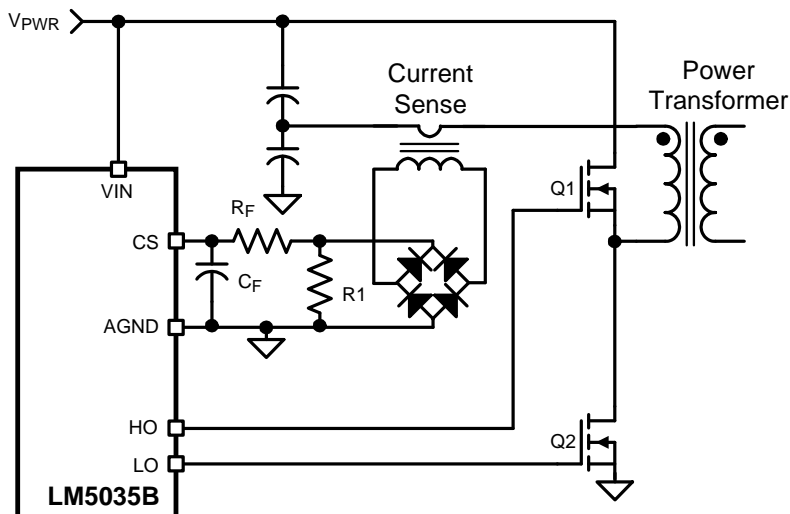
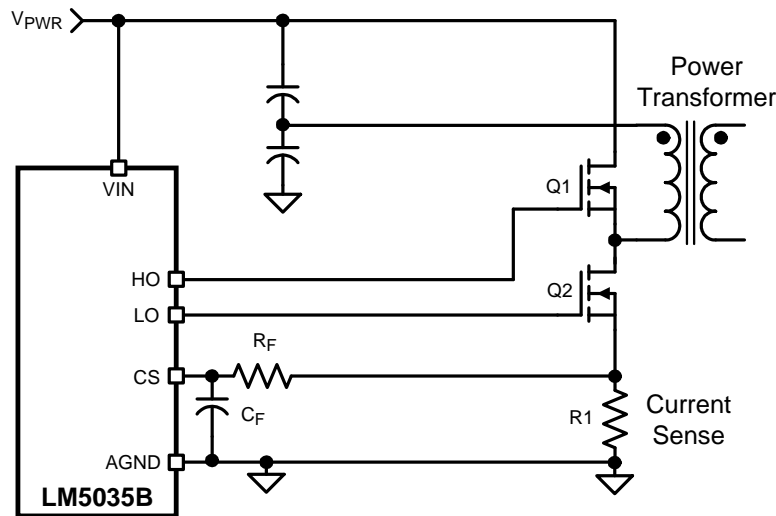


Figure 20. Current Sense Using Current Sense Transformer



**Figure 21. Current Sense Using Current Sense Resistor (R1)**

If the current sense resistor method is used, the over-current condition will only be sensed while LO is driving the low-side MOSFET. Over-current while HO is driving the high-side MOSFET will not be detected. In this configuration, it will take 4 times as long for continuous cycle-by-cycle current limiting to initiate a restart event since each over-current event during LO enables the 22µA RES pin current source for one oscillator period, and then the lack of an over-current event during HO enables the 12µA RES pin current sink for one oscillator period. The time average of this toggling is equivalent to a continuous 5 µA current source into the RES capacitor, increasing the delay by a factor of four. The value of the RES capacitor can be reduced to decrease the time before restart cycle is initiated.

When using the resistor current sense method, an imbalance in the input capacitor voltages may develop when operating in cycle-by-cycle current limiting mode. If the imbalance persists for an extended period, excessive currents in the non-sensed MOSFET, and possible transformer saturation may result. This condition is inherent to the half-bridge topology operated with cycle-by-cycle current limiting and is compounded by only sensing in one leg of the half-bridge circuit. The imbalance is greatest at large duty cycles (low input voltages). If using this method, it is recommended that the capacitor on the RES pin be no larger than 220 pF. Check the final circuit and reduce the RES capacitor further, or omit the capacitor completely to ensure the voltages across the bridge capacitors remain balanced. The current limit value may decrease slightly as the RES capacitor is reduced.

### HO, HB, HS and LO

Attention must be given to the PC board layout for the low-side driver and the floating high-side driver pins HO, HB and HS. A low ESR/ESL capacitor (such as a ceramic surface mount capacitor) should be connected close to the LM5035B, between HB and HS to provide high peak currents during turn-on of the high-side MOSFET. The capacitor should be large enough to supply the MOSFET gate charge ( $Q_g$ ) without discharging to the point where the drop in gate voltage affects the MOSFET  $R_{DS(ON)}$ . A value ten to twenty times  $Q_g$  is recommended.

$$C_{BOOST} = 20 \times \frac{Q_g}{VCC} \quad (6)$$

The diode ( $D_{BOOST}$ ) that charges  $C_{BOOST}$  from VCC when the low-side MOSFET is conducting should be capable of withstanding the full converter input voltage range. When the high-side MOSFET is conducting, the reverse voltage at the diode is approximately the same as the MOSFET drain voltage because the high-side driver is boosted up to the converter input voltage by the HS pin, and the high side MOSFET gate is driven to the HS voltage plus VCC. Since the anode of  $D_{BOOST}$  is connected to VCC, the reverse potential across the diode is equal to the input voltage minus the VCC voltage.  $D_{BOOST}$  average current is less than 20mA in most applications, so a low current ultra-fast recovery diode is recommended to limit the loss due to diode junction capacitance. Schottky diodes are also a viable option, particularly for lower input voltage applications, but attention must be paid to leakage currents at high temperatures.

The internal gate drivers need a very low impedance path to the respective decoupling capacitors; the VCC cap for the LO driver and C<sub>BOOST</sub> for the HO driver. These connections should be as short as possible to reduce inductance and as wide as possible to reduce resistance. The loop area, defined by the gate connection and its respective return path, should be minimized.

The high-side gate driver can also be used with HS connected to PGND for applications other than a half bridge converter (e.g. Push-Pull). The HB pin is then connected to VCC, or any supply greater than the high-side driver undervoltage lockout (approximately 6.5V). In addition, the high-side driver can be configured for high voltage offline applications where the high-side MOSFET gate is driven via a gate drive transformer.

### PROGRAMMABLE DELAY (DLY)

The R<sub>DLY</sub> resistor programs the delays between the SR1 and SR2 signals and the HO and LO driver outputs. [Figure 17](#) shows the relationship between these outputs. The DLY pin is nominally set at 2.5V and the current is sensed through R<sub>DLY</sub> to ground. This current is used to adjust the amount of deadtime before the HO and LO pulse (T1) and after the HO and LO pulse (T2). Typically R<sub>DLY</sub> is in the range of 10kΩ to 100kΩ. The deadtime periods can be calculated using the following formulae:

$$T1 = .003 \times R_{DLY} + 4.6 \text{ ns} \quad (7)$$

$$T2 = .0007 \times R_{DLY} + 10.01 \text{ ns} \quad (8)$$

This may cause lower than optimal system efficiency if the delays through the SR signal transformer network, the secondary gate drivers and the SR MOSFETs are greater than the delay to turn on the HO or LO MOSFETs. Should an SR MOSFET remain on while the opposing primary MOSFET is supplying power through the power transformer, the secondary winding will experience a momentary short circuit, causing a significant power loss to occur.

When choosing the R<sub>DLY</sub> value, worst case propagation delays and component tolerances should be considered to assure that there is never a time where both SR MOSFETs are enabled AND one of the primary side MOSFETs is enabled. The time period T1 should be set so that the SR MOSFET has turned off before the primary MOSFET is enabled. Conversely, T1 and T2 should be kept as low as tolerances allow to optimize efficiency. The SR body diode conducts during the time between the SR MOSFET turns off and the power transformer begins supplying energy. Power losses increase when this happens since the body diode voltage drop is many times higher than the MOSFET channel voltage drop. The interval of body diode conduction can be observed with an oscilloscope as a negative 0.7V to 1.5V pulse at the SR MOSFET drain.

### UVLO AND OVP VOLTAGE DIVIDER SELECTION FOR R1, R2, AND R3

Two dedicated comparators connected to the UVLO and OVP pins are used to detect under-voltage and over-voltage conditions. The threshold value of these comparators, V<sub>UVLO</sub> and V<sub>OVP</sub>, is 1.25V (typical). The two functions can be programmed independently with two voltage dividers from VIN to AGND as shown in [Figure 22](#) and [Figure 23](#), or with a three-resistor divider as shown in [Figure 24](#). Independent UVLO and OVP pins provide greater flexibility for the user to select the operational voltage range of the system. Hysteresis is accomplished by 23 μA current sources (I<sub>UVLO</sub> and I<sub>OVP</sub>), which are switched on or off into the sense pin resistor dividers as the comparators change state.

When the UVLO pin voltage is below 0.4V, the controller is in a low current shutdown mode. For a UVLO pin voltage greater than 0.4V but less than 1.25V the controller is in standby mode. Once the UVLO pin voltage is greater than 1.25V, the controller is fully enabled. Two external resistors can be used to program the minimum operational voltage for the power converter as shown in [Figure 22](#). When the UVLO pin voltage falls below the 1.25V threshold, an internal 23 μA current sink is enabled to lower the voltage at the UVLO pin, thus providing threshold hysteresis. Resistance values for R1 and R2 can be determined from the following equations.

$$R_1 = \frac{V_{HYS}}{23 \mu A} \quad (9)$$

$$R_2 = \frac{1.25V \times R_1}{V_{PWR} - 1.25V - (23 \mu A \times R_1)}$$

where

- V<sub>PWR</sub> is the desired turn-on voltage
- V<sub>HYS</sub> is the desired UVLO hysteresis at V<sub>PWR</sub> (10)

For example, if the LM5035B is to be enabled when  $V_{PWR}$  reaches 34V, and disabled when  $V_{PWR}$  is decreased to 32V, R1 should be 87 k $\Omega$ , and R2 should be 3.54k $\Omega$ . The voltage at the UVLO pin should not exceed 7V at any time. Be sure to check both the power and voltage rating (0603 resistors can be rated as low as 50V) for the selected R1 resistor.

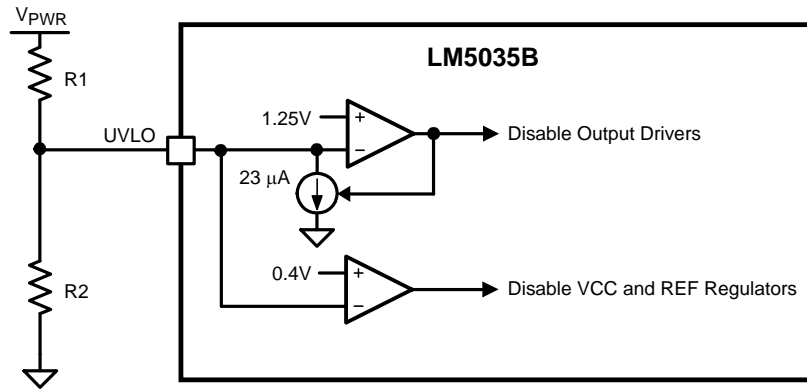


Figure 22. Basic UVLO Configuration

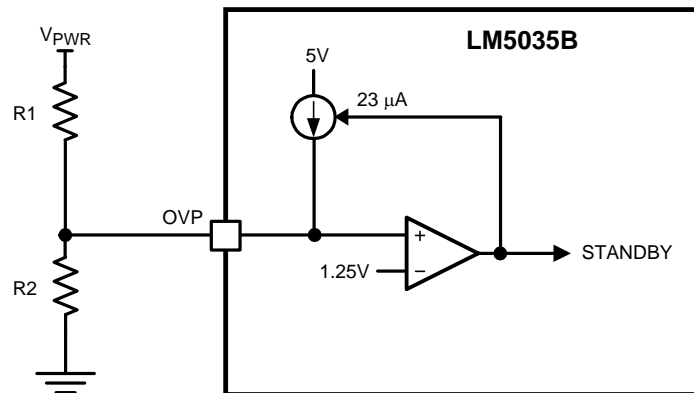


Figure 23. Basic Over-Voltage Protection

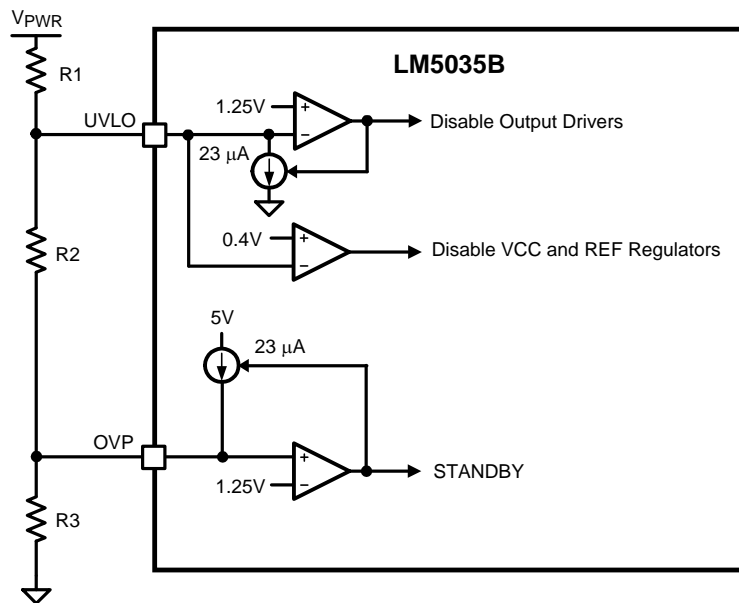


Figure 24. UVLO/OVP Divider

The impedance seen looking into the resistor divider from the UVLO and OVP pins determines the hysteresis level. UVLO and OVP enable and disable thresholds are calculated using the equations in the table below for the three-resistor divider illustrated in Figure 24.

Table 1. UVO/OVP Divider Formulas

|  |  |
|--|--|
| Outputs disabled due to VIN falling below UVLO threshold | $UVLO_{off} = 1.25V \times \left( \frac{R_1 + R_2 + R_3}{R_2 + R_3} \right)$ |
| Outputs enabled due to VIN rising above UVLO threshold   | $UVLO_{on} = UVLO_{off} + (23 \mu A \times R_1)$                             |
| Outputs disabled due to VIN rising above OVP threshold   | $OVP_{off} = 1.25V \times \left( \frac{R_1 + R_2 + R_3}{R_3} \right)$        |
| Outputs enabled due to VIN falling below OVP threshold   | $OVP_{on} = OVP_{off} - [23 \mu A \times (R_1 + R_2)]$                       |

The typical operating ranges of undervoltage and overvoltage thresholds are calculated from the above equations. For example, for resistor values  $R_1 = 86.6k\Omega$ ,  $R_2 = 2.10k\Omega$  and  $R_3 = 1.40k\Omega$  the computed thresholds are:

UVLO turn-off = 32.2V

UVLO turn-on = 34.2V

OVP turn-on = 78.4V

OVP turn-off = 80.5V

To maintain the threshold's accuracy, a resistor tolerance of 1% or better is recommended.

The design process starts with the choice of the voltage difference between the UVLO enabling and disabling thresholds. This will also approximately set the difference between OVP enabling and disabling regulation:

$$R_1 = \frac{UVLO_{on} - UVLO_{off}}{23 \mu A} \quad (11)$$

Next, the combined resistance of  $R_2$  and  $R_3$  is calculated by choosing the threshold for the UVLO disabling threshold:

$$R_{\text{COMBINED}} = \frac{1.25\text{V} \times R_1}{\text{UVLO}_{\text{off}} - 1.25\text{V}} \quad (12)$$

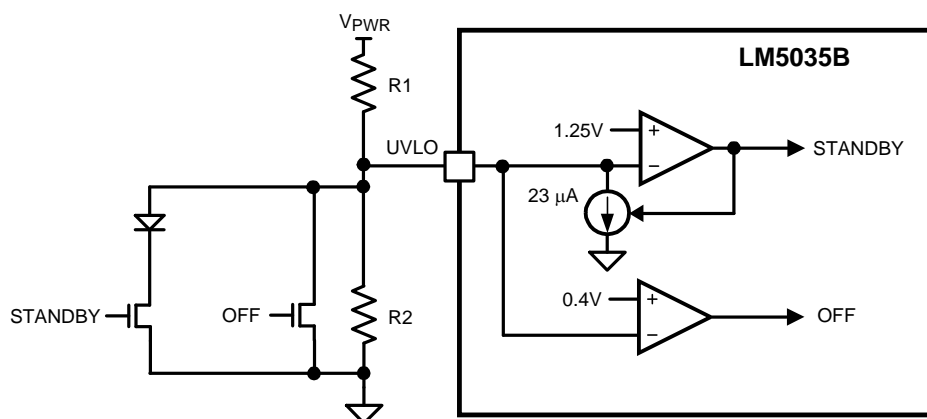
Then  $R_3$  is determined by selecting the OVP disabling threshold:

$$R_3 = \frac{1.25\text{V} \times (R_1 + R_{\text{COMBINED}})}{\text{OVP}_{\text{off}}} \quad (13)$$

Finally,  $R_3$  is subtracted from  $R_{\text{COMBINED}}$  to give  $R_2$ :

$$R_2 = R_{\text{COMBINED}} - R_3 \quad (14)$$

Remote configuration of the controller's operational modes can be accomplished with open drain device(s) connected to the UVLO pin as shown in Figure 25.



**Figure 25. Remote Standby and Disable Control**

## FAULT PROTECTION

The Over Voltage Protection (OVP) comparator of the LM5035B can be configured for line or load fault protection or thermal protection using an external temperature sensor or thermistor. Figure 23 shows a line over voltage shutdown application using a voltage divider between the input power supply,  $V_{\text{PWR}}$ , and AGND to monitor the line voltage.

Figure 26 demonstrates the use of the OVP pin for latched output over-voltage fault protection, using a zener and opto-coupler. When  $V_{\text{OUT}}$  exceeds the conduction threshold of the opto-coupler diode and zener, the opto-coupler momentarily turns on Q1 and the LM5035B enters standby mode, disabling the drivers and enabling the hysteresis current source on the OVP pin. Once the current source is enabled, the OVP voltage will remain at 2.3V ( $23 \mu\text{A} \times 100 \text{k}\Omega$ ) without additional drive from the external circuit. If the opto-coupler transistor emitter were directly connected to the OVP pin, then leakage current in the zener diode amplified by the opto-coupler's gain could falsely trip the protection latch. R1 and Q1 are added reduce the sensitivity to low level currents in the opto-coupler. Using the values of Figure 26, the opto-coupler collector current must equal  $V_{\text{BE}(Q1)} / R1 = 350 \mu\text{A}$  before OVP latches. Once the controller has switched to standby mode, the outputs no longer switch but the VCC and REF regulators continue functioning and supply bias to the external circuitry. VCC must fall below 6.2V or the UVLO pin must fall below 0.4V to clear the OVP latch.

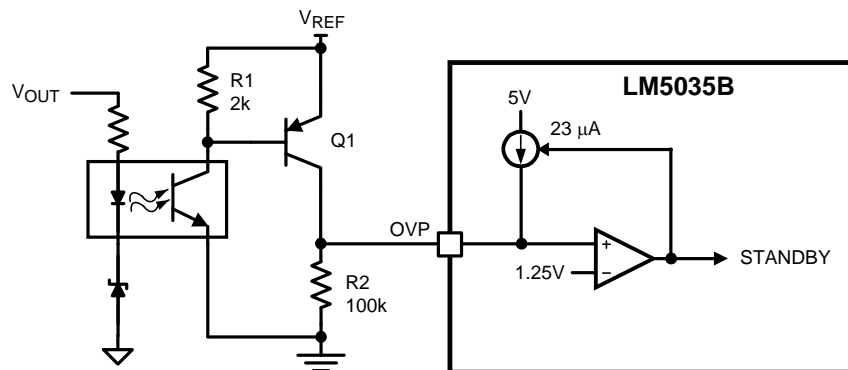


Figure 26. Latched Load Over-Voltage Protection

Figure 27 shows an application of the OVP comparator for Remote Thermal Protection using a thermistor (or multiple thermistors) which may be located near the main heat sources of the power supply. The negative temperature coefficient (NTC) thermistor is nearly logarithmic, and in this example a 100kΩ thermistor with the  $\beta$  material constant of 4500 kelvins changes to approximately 2 kΩ at 130°C. Setting R1 to one-third of this resistance (665Ω) establishes 130°C as the desired trip point (for  $V_{REF} = 5V$ ). In a temperature band from 20°C below to 20°C above the OVP threshold, the voltage divider is nearly linear with 25 mV per°C sensitivity.

R2 provides temperature hysteresis by raising the OVP comparator input by  $R2 \times 23 \mu A$ . For example, if a 22kΩ resistor is selected for R2, then the OVP pin voltage will increase by  $22 \text{ k}\Omega \times 23 \mu A = 506 \text{ mV}$ . The NTC temperature must therefore fall by  $506 \text{ mV} / 25 \text{ mV per}^\circ\text{C} = 20^\circ\text{C}$  before the LM5035B switches from the standby mode to the normal mode.

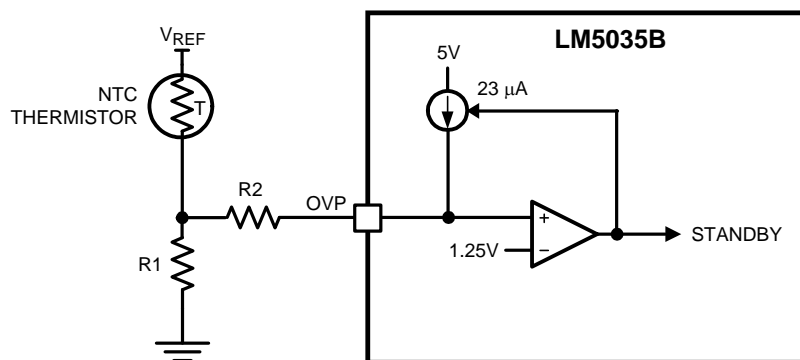


Figure 27. Remote Thermal Protection

### HICCUP MODE CURRENT LIMIT RESTART (RES)

The basic operation of the hiccup mode current limit restart is described in the functional description. The delay time to restart is programmed with the selection of the RES pin capacitor  $C_{RES}$  as illustrated in Figure 27.

In the case of continuous cycle-by-cycle current limit detection at the CS pin, the time required for  $C_{RES}$  to reach the 2.5V hiccup mode threshold is:

$$t_1 = \frac{C_{RES} \times 2.5V}{22 \mu A} = 114 \text{ k}\Omega \times C_{RES}$$

(15)

For example, if  $C_{RES} = 0.01 \mu\text{F}$  the time  $t_1$  is approximately 1.14 ms.

The cool down time,  $t_2$  is set by the soft-start capacitor ( $C_{SS}$ ) and the internal  $1 \mu\text{A}$  SS current source, and is equal to:

$$t_2 = \frac{C_{SS} \times 1\text{V}}{1 \mu\text{A}} = 1 \text{M}\Omega \times C_{SS} \quad (16)$$

If  $C_{SS} = 0.01 \mu\text{F}$   $t_2$  is  $\approx 10 \text{ms}$ .

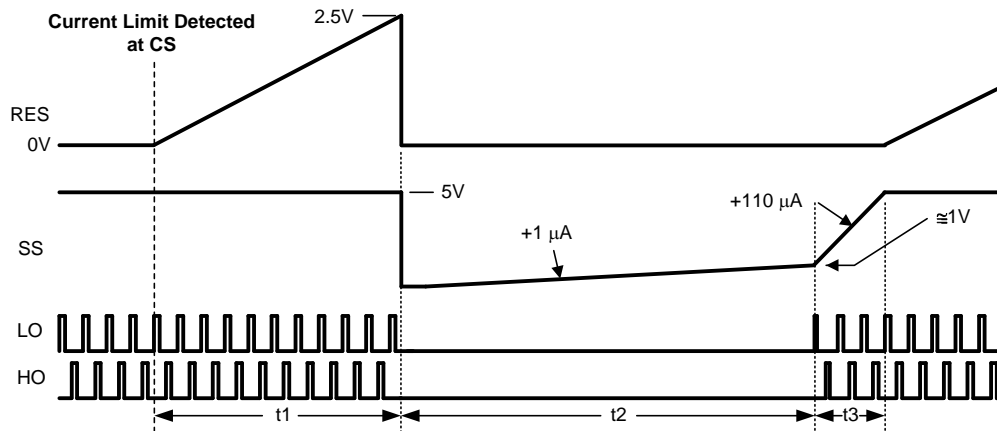
The soft-start time  $t_3$  is set by the internal  $110 \mu\text{A}$  current source, and is equal to:

$$t_3 = \frac{C_{SS} \times 4\text{V}}{110 \mu\text{A}} = 40 \text{k}\Omega \times C_{SS} \quad (17)$$

If  $C_{SS} = 0.01 \mu\text{F}$   $t_3$  is  $\approx 363 \mu\text{s}$ .

The time  $t_2$  provides a periodic cool-down time for the power converter in the event of a sustained overload or short circuit. This off time results in lower average input current and lower power dissipation within the power components. It is recommended that the ratio of  $t_2 / (t_1 + t_3)$  be in the range of 5 to 10 to take advantage of this feature.

If the application requires no delay from the first detection of a current limit condition to the onset of the hiccup mode ( $t_1 = 0$ ), the RES pin can be left open (no external capacitor). If it is desired to disable the hiccup mode entirely, the RES pin should be connected to ground (AGND).



**Figure 28. Hiccup Over-Load Restart Timing**

## Printed Circuit Board Layout

The LM5035B Current Sense and PWM comparators are very fast, and respond to short duration noise pulses. The components at the CS, COMP, SS, OVP, UVLO, DLY and the RT pins should be as physically close as possible to the IC, thereby minimizing noise pickup on the PC board tracks.

Layout considerations are critical for the current sense filter. If a current sense transformer is used, both leads of the transformer secondary should be routed to the sense filter components and to the IC pins. The ground side of the transformer should be connected via a dedicated PC board track to the AGND pin, rather than through the ground plane.

If the current sense circuit employs a sense resistor in the drive transistor source, low inductance resistors should be used. In this case, all the noise sensitive, low-current ground tracks should be connected in common near the IC, and then a single connection made to the power ground (sense resistor ground point).

The gate drive outputs of the LM5035B should have short, direct paths to the power MOSFETs in order to minimize inductance in the PC board traces. The SR control outputs should also have minimum routing distance through the pulse transformers and through the secondary gate drivers to the sync FETs.

The two ground pins (AGND, PGND) must be connected together with a short, direct connection, to avoid jitter due to relative ground bounce.

If the internal dissipation of the LM5035B produces high junction temperatures during normal operation, the use of multiple vias under the IC to a ground plane can help conduct heat away from the IC. Judicious positioning of the PC board within the end product, along with use of any available air flow (forced or natural convection) will help reduce the junction temperatures. If using forced air cooling, avoid placing the LM5035B in the airflow shadow of tall components, such as input capacitors.

### Application Circuit Example

The following schematic shows an example of a 100W half-bridge power converter controlled by the LM5035B. The operating input voltage range ( $V_{PWR}$ ) is 36V to 75V, and the output voltage is 3.3V. The output current capability is 30 Amps. Current sense transformer T2 provides information to the CS pin for current limit protection. The error amplifier and reference, U3 and U5 respectively, provide voltage feedback via opto-coupler U4. Synchronous rectifiers Q4, Q5, Q6 and Q7 minimize rectification losses in the secondary. An auxiliary winding on transformer T1 provides power to the LM5035B VCC pin when the output is in regulation. The input voltage UVLO thresholds are  $\approx 34V$  for increasing  $V_{PWR}$ , and  $\approx 32V$  for decreasing  $V_{PWR}$ . The circuit can be shut down by driving the ON/OFF input (J2) below 1.25V with an open-collector or open-drain circuit. An external synchronizing frequency can be applied through a 100pF capacitor to the RT input (U1 pin 5). The regulator output is current limited at  $\approx 34A$ .

**Table 2. Differences between LM5035, LM5035A, LM5035B, and LM5035C<sup>(1)(2)</sup>**

| Performance Feature:                               | LM5035               | LM5035A               | LM5035B               | LM5035C               |
|--|----------------------|-----------------------|-----------------------|-----------------------|
| Sync Rectifier Dead-time Ratio (T1:T2)             | 2:1                  | 3:1                   | 3:1                   | 3:1                   |
| Soft-start: Hiccup Mode Charging Current           | 50 $\mu$ A:1 $\mu$ A | 100 $\mu$ A:1 $\mu$ A | 100 $\mu$ A:1 $\mu$ A | 100 $\mu$ A:1 $\mu$ A |
| Bootstrap (HB-HS) Under-Voltage Lockout            | 5V                   | 3.9V                  | 3.9V                  | 3.9V                  |
| Start-up Regulator Current                         | 20mA (min)           | 25mA (min)            | 40mA (min)            | 40mA (min)            |
| SR State in UVLO Shutdown and Hiccup Current Limit | High                 | High                  | Low                   | Low                   |
| HO,LO On-Time at Max Duty Cycle                    | 0.5*T-T1-70 ns       | 0.5*T-T1-70 ns        | 0.5*T-T1              | 0.5*T-T1              |
| Soft-Stop after UVLO                               | HO,LO                | Yes                   | Yes                   | No                    |
|  | SR1,2                | Yes                   | Yes                   | No                    |
| SR1, SR2 VOH (high state output)                   | VCC                  | VCC                   | VCC                   | REF (5V)              |

(1) T1 = Delay from SR1, SR2 to leading edge of HO, LO

(2) T = Period of HO or LO

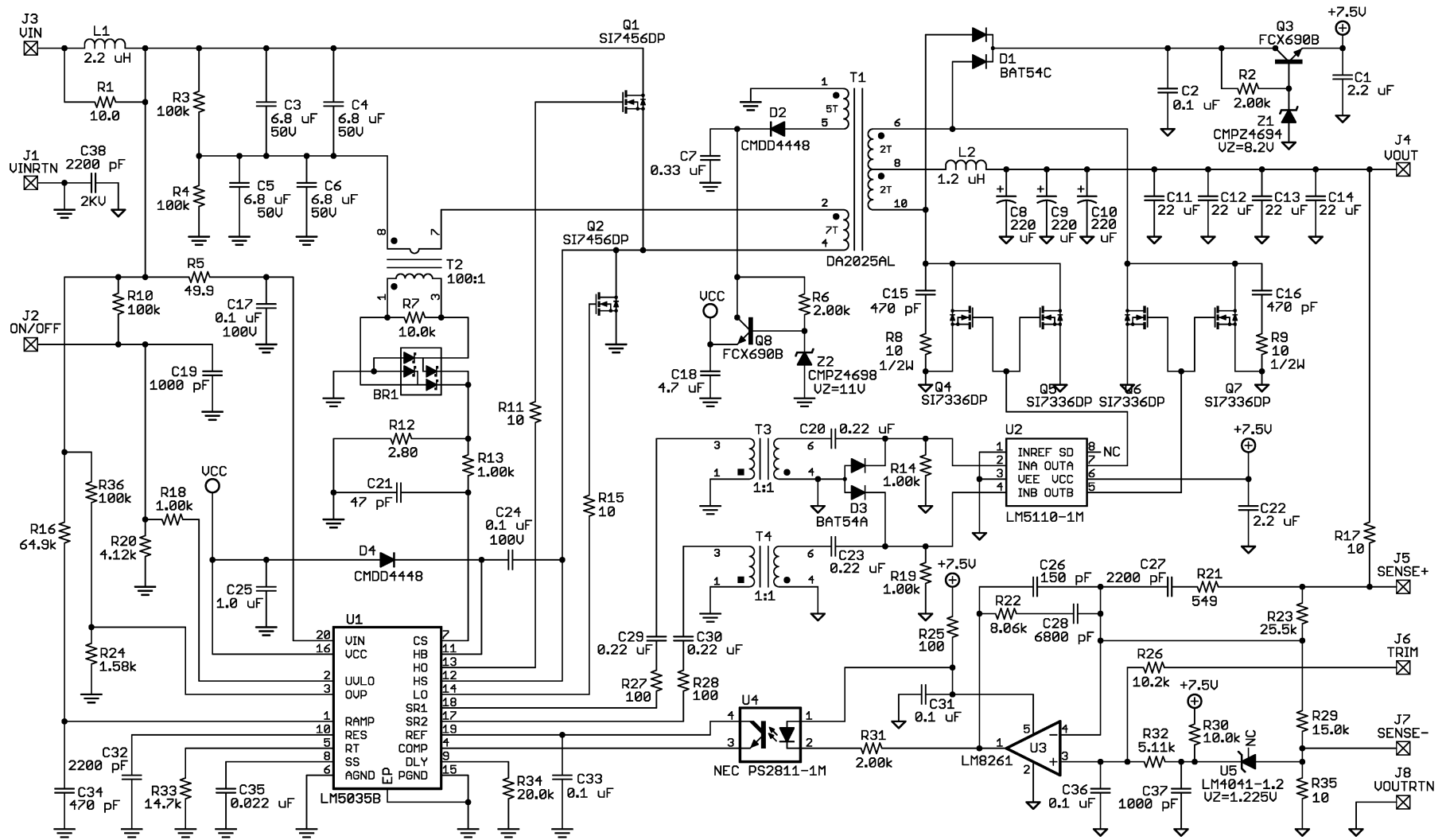


Figure 29. Evaluation Board Schematic

---

**REVISION HISTORY**

| <b>Changes from Revision B (April 2013) to Revision C</b>  | <b>Page</b>              |
|--|--------------------------|
| <hr/> <ul style="list-style-type: none"><li>• Changed layout of National Data Sheet to TI format .....</li></ul> | <hr/> <a href="#">28</a> |

**PACKAGING INFORMATION**

| Orderable Device | Status<br>(1) | Package Type | Package Drawing | Pins | Package Qty | Eco Plan<br>(2)         | Lead/Ball Finish | MSL Peak Temp<br>(3) | Op Temp (°C) | Top-Side Markings<br>(4) | Samples                 |
|------------------|---------------|--------------|-----------------|------|-------------|-------------------------|------------------|----------------------|--------------|--------------------------|-------------------------|
| LM5035BMH/NOPB   | ACTIVE        | HTSSOP       | PWP             | 20   | 73          | Green (RoHS & no Sb/Br) | CU SN            | Level-1-260C-UNLIM   | -40 to 125   | LM5035<br>BMH            | <a href="#">Samples</a> |
| LM5035BMHX/NOPB  | ACTIVE        | HTSSOP       | PWP             | 20   | 2500        | Green (RoHS & no Sb/Br) | CU SN            | Level-1-260C-UNLIM   | -40 to 125   | LM5035<br>BMH            | <a href="#">Samples</a> |
| LM5035BSQ/NOPB   | ACTIVE        | WQFN         | NHZ             | 24   | 1000        | Green (RoHS & no Sb/Br) | CU SN            | Level-1-260C-UNLIM   | -40 to 125   | 5035BSQ                  | <a href="#">Samples</a> |
| LM5035BSQX/NOPB  | ACTIVE        | WQFN         | NHZ             | 24   | 4500        | Green (RoHS & no Sb/Br) | CU SN            | Level-1-260C-UNLIM   | -40 to 125   | 5035BSQ                  | <a href="#">Samples</a> |

(1) The marketing status values are defined as follows:

**ACTIVE:** Product device recommended for new designs.

**LIFEBUY:** TI has announced that the device will be discontinued, and a lifetime-buy period is in effect.

**NRND:** Not recommended for new designs. Device is in production to support existing customers, but TI does not recommend using this part in a new design.

**PREVIEW:** Device has been announced but is not in production. Samples may or may not be available.

**OBSOLETE:** TI has discontinued the production of the device.

(2) Eco Plan - The planned eco-friendly classification: Pb-Free (RoHS), Pb-Free (RoHS Exempt), or Green (RoHS & no Sb/Br) - please check <http://www.ti.com/productcontent> for the latest availability information and additional product content details.

**TBD:** The Pb-Free/Green conversion plan has not been defined.

**Pb-Free (RoHS):** TI's terms "Lead-Free" or "Pb-Free" mean semiconductor products that are compatible with the current RoHS requirements for all 6 substances, including the requirement that lead not exceed 0.1% by weight in homogeneous materials. Where designed to be soldered at high temperatures, TI Pb-Free products are suitable for use in specified lead-free processes.

**Pb-Free (RoHS Exempt):** This component has a RoHS exemption for either 1) lead-based flip-chip solder bumps used between the die and package, or 2) lead-based die adhesive used between the die and leadframe. The component is otherwise considered Pb-Free (RoHS compatible) as defined above.

**Green (RoHS & no Sb/Br):** TI defines "Green" to mean Pb-Free (RoHS compatible), and free of Bromine (Br) and Antimony (Sb) based flame retardants (Br or Sb do not exceed 0.1% by weight in homogeneous material)

(3) MSL, Peak Temp. -- The Moisture Sensitivity Level rating according to the JEDEC industry standard classifications, and peak solder temperature.

(4) Multiple Top-Side Markings will be inside parentheses. Only one Top-Side Marking contained in parentheses and separated by a "~" will appear on a device. If a line is indented then it is a continuation of the previous line and the two combined represent the entire Top-Side Marking for that device.

**Important Information and Disclaimer:** The information provided on this page represents TI's knowledge and belief as of the date that it is provided. TI bases its knowledge and belief on information provided by third parties, and makes no representation or warranty as to the accuracy of such information. Efforts are underway to better integrate information from third parties. TI has taken and continues to take reasonable steps to provide representative and accurate information but may not have conducted destructive testing or chemical analysis on incoming materials and chemicals. TI and TI suppliers consider certain information to be proprietary, and thus CAS numbers and other limited information may not be available for release.

In no event shall TI's liability arising out of such information exceed the total purchase price of the TI part(s) at issue in this document sold by TI to Customer on an annual basis.



**TAPE AND REEL INFORMATION**

**QUADRANT ASSIGNMENTS FOR PIN 1 ORIENTATION IN TAPE**


\*All dimensions are nominal

| Device          | Package Type | Package Drawing | Pins | SPQ  | Reel Diameter (mm) | Reel Width W1 (mm) | A0 (mm) | B0 (mm) | K0 (mm) | P1 (mm) | W (mm) | Pin1 Quadrant |
|-----------------|--------------|-----------------|------|------|--------------------|--------------------|---------|---------|---------|---------|--------|---------------|
| LM5035BMHX/NOPB | HTSSOP       | PWP             | 20   | 2500 | 330.0              | 16.4               | 6.95    | 7.1     | 1.6     | 8.0     | 16.0   | Q1            |
| LM5035BSQ/NOPB  | WQFN         | NHZ             | 24   | 1000 | 178.0              | 12.4               | 4.3     | 5.3     | 1.3     | 8.0     | 12.0   | Q1            |
| LM5035BSQX/NOPB | WQFN         | NHZ             | 24   | 4500 | 330.0              | 12.4               | 4.3     | 5.3     | 1.3     | 8.0     | 12.0   | Q1            |

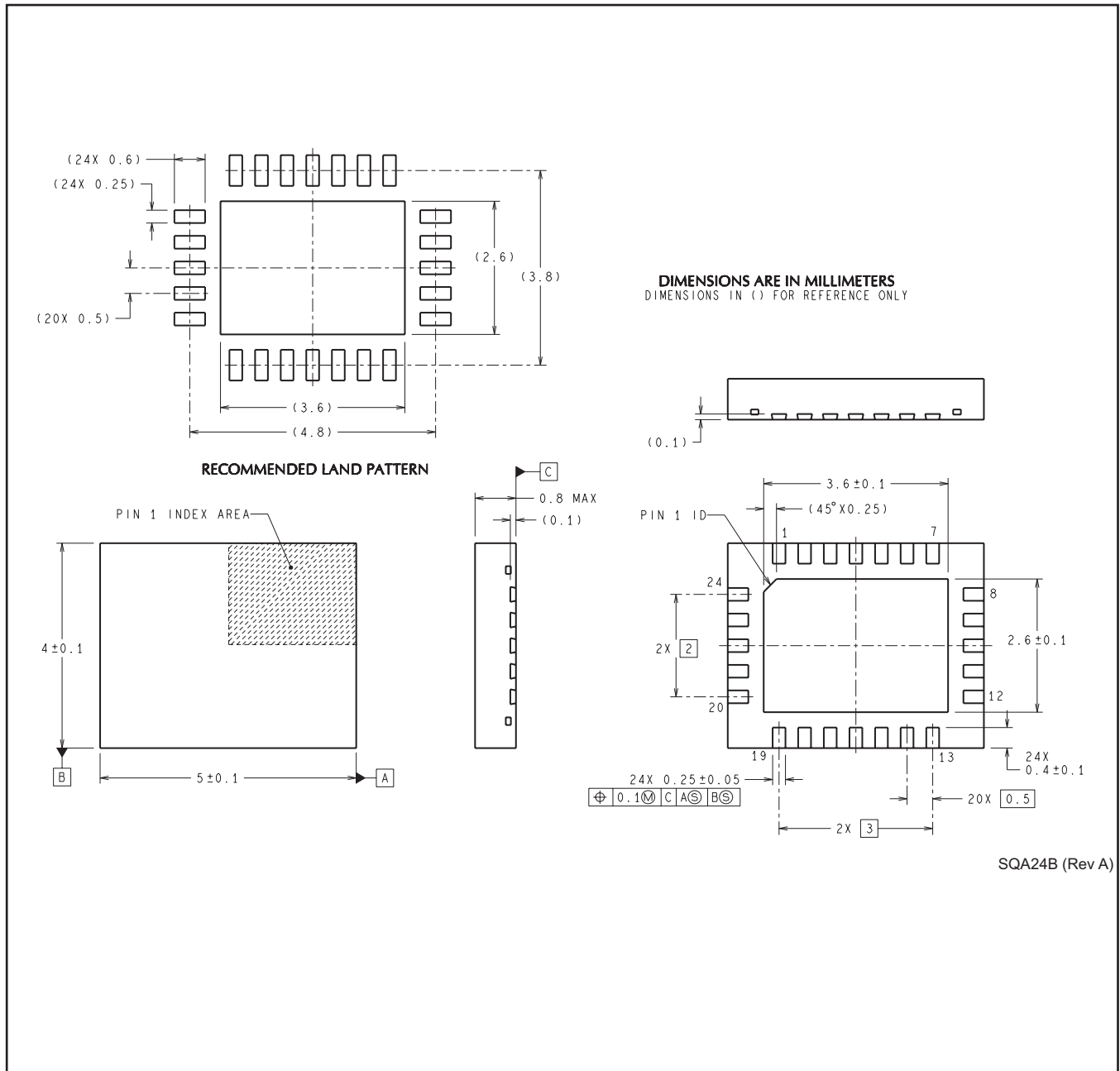
**TAPE AND REEL BOX DIMENSIONS**


\*All dimensions are nominal

| Device          | Package Type | Package Drawing | Pins | SPQ  | Length (mm) | Width (mm) | Height (mm) |
|-----------------|--------------|-----------------|------|------|-------------|------------|-------------|
| LM5035BMHX/NOPB | HTSSOP       | PWP             | 20   | 2500 | 367.0       | 367.0      | 35.0        |
| LM5035BSQ/NOPB  | WQFN         | NHZ             | 24   | 1000 | 210.0       | 185.0      | 35.0        |
| LM5035BSQX/NOPB | WQFN         | NHZ             | 24   | 4500 | 367.0       | 367.0      | 35.0        |



NHZ0024B



## IMPORTANT NOTICE

Texas Instruments Incorporated and its subsidiaries (TI) reserve the right to make corrections, enhancements, improvements and other changes to its semiconductor products and services per JESD46, latest issue, and to discontinue any product or service per JESD48, latest issue. Buyers should obtain the latest relevant information before placing orders and should verify that such information is current and complete. All semiconductor products (also referred to herein as "components") are sold subject to TI's terms and conditions of sale supplied at the time of order acknowledgment.

TI warrants performance of its components to the specifications applicable at the time of sale, in accordance with the warranty in TI's terms and conditions of sale of semiconductor products. Testing and other quality control techniques are used to the extent TI deems necessary to support this warranty. Except where mandated by applicable law, testing of all parameters of each component is not necessarily performed.

TI assumes no liability for applications assistance or the design of Buyers' products. Buyers are responsible for their products and applications using TI components. To minimize the risks associated with Buyers' products and applications, Buyers should provide adequate design and operating safeguards.

TI does not warrant or represent that any license, either express or implied, is granted under any patent right, copyright, mask work right, or other intellectual property right relating to any combination, machine, or process in which TI components or services are used. Information published by TI regarding third-party products or services does not constitute a license to use such products or services or a warranty or endorsement thereof. Use of such information may require a license from a third party under the patents or other intellectual property of the third party, or a license from TI under the patents or other intellectual property of TI.

Reproduction of significant portions of TI information in TI data books or data sheets is permissible only if reproduction is without alteration and is accompanied by all associated warranties, conditions, limitations, and notices. TI is not responsible or liable for such altered documentation. Information of third parties may be subject to additional restrictions.

Resale of TI components or services with statements different from or beyond the parameters stated by TI for that component or service voids all express and any implied warranties for the associated TI component or service and is an unfair and deceptive business practice. TI is not responsible or liable for any such statements.

Buyer acknowledges and agrees that it is solely responsible for compliance with all legal, regulatory and safety-related requirements concerning its products, and any use of TI components in its applications, notwithstanding any applications-related information or support that may be provided by TI. Buyer represents and agrees that it has all the necessary expertise to create and implement safeguards which anticipate dangerous consequences of failures, monitor failures and their consequences, lessen the likelihood of failures that might cause harm and take appropriate remedial actions. Buyer will fully indemnify TI and its representatives against any damages arising out of the use of any TI components in safety-critical applications.

In some cases, TI components may be promoted specifically to facilitate safety-related applications. With such components, TI's goal is to help enable customers to design and create their own end-product solutions that meet applicable functional safety standards and requirements. Nonetheless, such components are subject to these terms.

No TI components are authorized for use in FDA Class III (or similar life-critical medical equipment) unless authorized officers of the parties have executed a special agreement specifically governing such use.

Only those TI components which TI has specifically designated as military grade or "enhanced plastic" are designed and intended for use in military/aerospace applications or environments. Buyer acknowledges and agrees that any military or aerospace use of TI components which have **not** been so designated is solely at the Buyer's risk, and that Buyer is solely responsible for compliance with all legal and regulatory requirements in connection with such use.

TI has specifically designated certain components as meeting ISO/TS16949 requirements, mainly for automotive use. In any case of use of non-designated products, TI will not be responsible for any failure to meet ISO/TS16949.

### Products

|                              |  |
|------------------------------|--|
| Audio                        | <a href="http://www.ti.com/audio">www.ti.com/audio</a>                               |
| Amplifiers                   | <a href="http://amplifier.ti.com">amplifier.ti.com</a>                               |
| Data Converters              | <a href="http://dataconverter.ti.com">dataconverter.ti.com</a>                       |
| DLP® Products                | <a href="http://www.dlp.com">www.dlp.com</a>   |
| DSP                          | <a href="http://dsp.ti.com">dsp.ti.com</a>   |
| Clocks and Timers            | <a href="http://www.ti.com/clocks">www.ti.com/clocks</a>                             |
| Interface                    | <a href="http://interface.ti.com">interface.ti.com</a>                               |
| Logic                        | <a href="http://logic.ti.com">logic.ti.com</a>                                       |
| Power Mgmt                   | <a href="http://power.ti.com">power.ti.com</a>                                       |
| Microcontrollers             | <a href="http://microcontroller.ti.com">microcontroller.ti.com</a>                   |
| RFID                         | <a href="http://www.ti-rfid.com">www.ti-rfid.com</a>                                 |
| OMAP Applications Processors | <a href="http://www.ti.com/omap">www.ti.com/omap</a>                                 |
| Wireless Connectivity        | <a href="http://www.ti.com/wirelessconnectivity">www.ti.com/wirelessconnectivity</a> |

### Applications



|                               |  |
|-------------------------------|--|
| Automotive and Transportation | <a href="http://www.ti.com/automotive">www.ti.com/automotive</a>                         |
| Communications and Telecom    | <a href="http://www.ti.com/communications">www.ti.com/communications</a>                 |
| Computers and Peripherals     | <a href="http://www.ti.com/computers">www.ti.com/computers</a>                           |
| Consumer Electronics          | <a href="http://www.ti.com/consumer-apps">www.ti.com/consumer-apps</a>                   |
| Energy and Lighting           | <a href="http://www.ti.com/energy">www.ti.com/energy</a>                                 |
| Industrial                    | <a href="http://www.ti.com/industrial">www.ti.com/industrial</a>                         |
| Medical                       | <a href="http://www.ti.com/medical">www.ti.com/medical</a>                               |
| Security                      | <a href="http://www.ti.com/security">www.ti.com/security</a>                             |
| Space, Avionics and Defense   | <a href="http://www.ti.com/space-avionics-defense">www.ti.com/space-avionics-defense</a> |
| Video and Imaging             | <a href="http://www.ti.com/video">www.ti.com/video</a>                                   |

### TI E2E Community

[e2e.ti.com](http://e2e.ti.com)

## Looking for pricing, stock, or lifecycle information?

Click below to explore more details on WIN SOURCE:

-  [View LM5035BSQ/NOPB on WIN SOURCE](#)
-  [Texas Instruments](#) Information

## Optimize Your Supply Chain with WIN SOURCE Solutions

-  Global Sourcing Solution
-  Obsolete Management
-  Cost Control Management
-  Shortage Management
-  Alternative Solution
-  Excess Inventory Management