



**THE DATASHEET OF
LM723CD013TR**

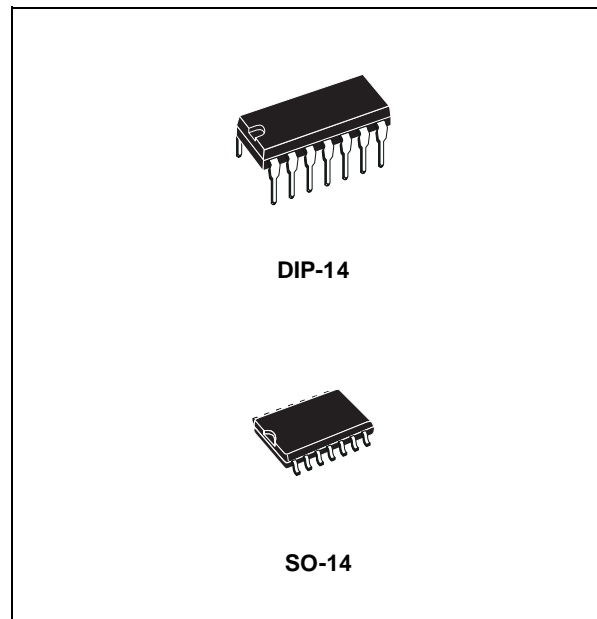


HIGH PRECISION VOLTAGE REGULATOR

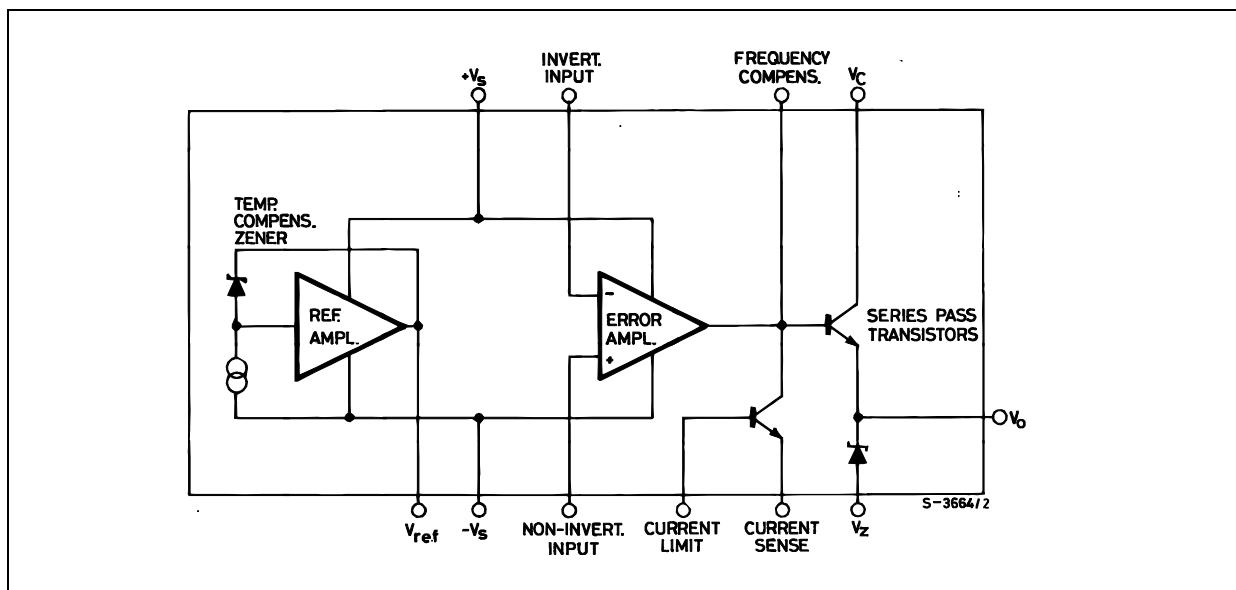
- INPUT VOLTAGE UP TO 40V
- OUTPUT VOLTAGE ADJUSTABLE FROM 2 TO 37V
- POSITIVE OR NEGATIVE SUPPLY OPERATION
- SERIES, SHUNT, SWITCHING OR FLOATING OPERATION
- OUTPUT CURRENT TO 150mA WITHOUT EXTERNAL PASS TRANSISTOR
- ADJUSTABLE CURRENT LIMITING

DESCRIPTION

The LM723 is a monolithic integrated programmable voltage regulator, assembled in 14-lead dual in-line plastic and SO-14 micro package. The circuit provides internal current limiting. When the output current exceeds 150mA an external NPN or PNP pass element may be used. Provisions are made for adjustable current limiting and remote shut-down.



SCHEMATIC DIAGRAM



LM723

ABSOLUTE MAXIMUM RATINGS

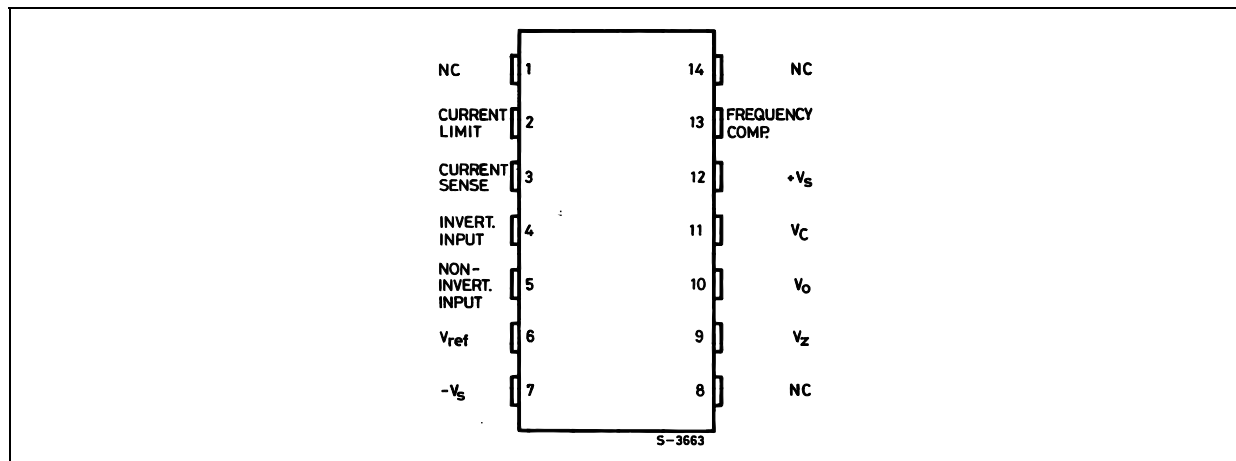
Symbol	Parameter	Value		Unit
		LM723	LM723C	
V_I	DC Input Voltage	40	40	V
ΔV_{I-O}	Dropout Voltage	40	40	V
I_O	Output Current	150	150	mA
I_{REF}	Current from V_{REF}	15	25	mA
T_{op}	Operating Temperature	-55 to 125	0 to 70	°C
T_{stg}	Storage Temperature	-65 to 150	-65 to 150	°C
T_J	Junction Temperature	150	125	°C

Absolute Maximum Ratings are those values beyond which damage to the device may occur. Functional operation under these condition is not implied.

THERMAL DATA

Symbol	Parameter		DIP14	SO-14	Unit
$R_{thj-amb}$	Thermal Resistance Junction-Ambient	Max	200	160	°C/W

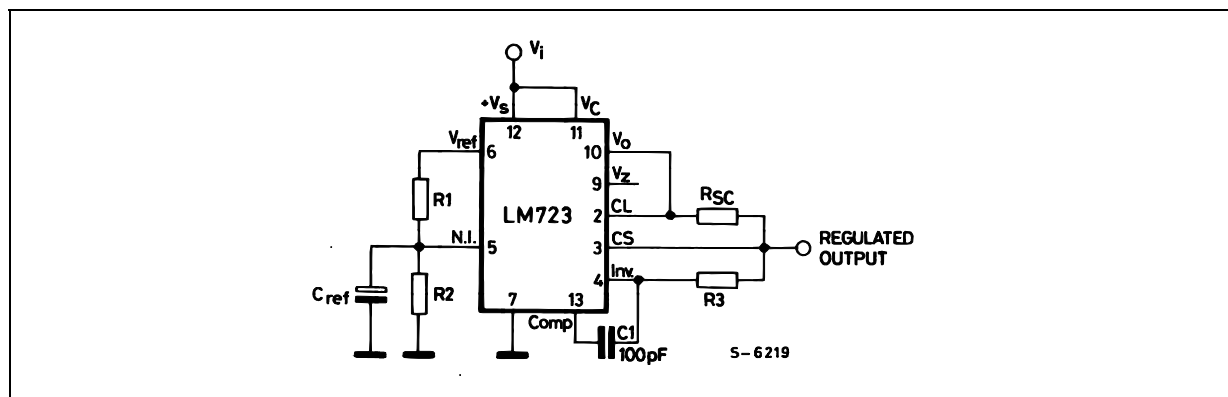
PIN CONNECTION (top view)



ORDERING CODES

TYPE	DIP-14	SO-14
LM723	LM723N	
LM723C	LM723CN	LM723CD

TEST CIRCUITS (pin configuration relative to the plastic package)



$V_I = 12\text{V}$; $V_O = 5\text{V}$; $I_O = 1\text{mA}$; $R_1/R_2 \leq 10\text{K}\Omega$

ELECTRICAL CHARACTERISTICS FOR LM723 (refer to the test circuits, $T_{\text{amb}} = 25^\circ\text{C}$, unless otherwise specified.)

Symbol	Parameter	Test Conditions	Min.	Typ.	Max.	Unit
$\Delta V_O/\Delta V_I$	Line Regulation	$V_I = 12$ to 15 V		0.01	0.1	%
		$V_I = 12$ to 40 V		0.02	0.2	
		$V_I = 12$ to 15 V , $T_a = -55$ to 125°C			0.3	
$\Delta V_O/V_O$	Load Regulation	$I_O = 1$ to 50 mA		0.03	0.15	%
		$I_O = 1$ to 10 mA , $T_a = -55$ to 125°C			0.6	
V_{REF}	Reference Voltage	$I_{\text{REF}} = 160\ \mu\text{A}$	6.95	7.15	7.35	V
SVR	Supply Voltage Rejection	$f = 100\text{ Hz}$ to 10KHz	$C_{\text{REF}} = 0$	74		dB
			$C_{\text{REF}} = 5\ \mu\text{F}$	86		
$\Delta V_O/\Delta T$	Output Voltage Drift				150	ppm/ $^\circ\text{C}$
I_{SC}	Output Current Limit	$R_{\text{SC}} = 10\ \Omega$, $V_O = 0\text{ V}$		65		mA
V_I	Input Voltage Range		9.5		40	V
V_O	Output Voltage Range		2		37	V
$V_O - V_I$			3		38	V
I_d	Quiescent Current	$V_I = 30\text{V}$, $I_O = 0\text{ mA}$		2.3	5	mA
K_{VH}	Long Term Stability			0.1		%/1000 hrs
eN	Output Noise Voltage	BW = 100 Hz to 10 KHz	$C_{\text{REF}} = 0$	20		μV
			$C_{\text{REF}} = 5\ \mu\text{F}$	2.5		

ELECTRICAL CHARACTERISTICS FOR LM723C (refer to the test circuits, $T_{amb} = 25^{\circ}\text{C}$, unless otherwise specified.)

Symbol	Parameter	Test Conditions	Min.	Typ.	Max.	Unit	
$\Delta V_O/\Delta V_I$	Line Regulation	$V_I = 12 \text{ to } 15 \text{ V}$		0.01	0.1	%	
		$V_I = 12 \text{ to } 40 \text{ V}$		0.1	0.5		
		$V_I = 12 \text{ to } 15 \text{ V}, T_a = 0 \text{ to } 70^{\circ}\text{C}$			0.3		
$\Delta V_O/V_O$	Load Regulation	$I_O = 1 \text{ to } 50 \text{ mA}$		0.03	0.2	%	
		$I_O = 1 \text{ to } 10 \text{ mA}, T_a = 0 \text{ to } 70^{\circ}\text{C}$			0.6		
V_{REF}	Reference Voltage	$I_{REF} = 160 \mu\text{A}$	6.8	7.15	7.5	V	
SVR	Supply Voltage Rejection	$f = 100 \text{ Hz to } 10\text{KHz}$	$C_{REF} = 0$		74		dB
			$C_{REF} = 5\mu\text{F}$		86		
$\Delta V_O/\Delta T$	Output Voltage Drift				150	ppm/ $^{\circ}\text{C}$	
I_{SC}	Output Current Limit	$R_{SC} = 10\Omega, V_O = 0 \text{ V}$		65		mA	
V_I	Input Voltage Range		9.5		40	V	
V_O	Output Voltage Range		2		37	V	
$V_O - V_I$			3		38	V	
I_d	Quiescent Current	$V_I = 30\text{V}, I_O = 0 \text{ mA}$		2.3	4	mA	
K_{VH}	Long Term Stability			0.1		%/1000 hrs	
eN	Output Noise Voltage	$\text{BW} = 100 \text{ Hz to } 10 \text{ KHz}$	$C_{REF} = 0$		20		μV
			$C_{REF} = 5\mu\text{F}$		2.5		

TYPICAL PERFORMANCE CHARACTERISTICS (unless otherwise specified $V_{O(NOM)} = 3.3\text{ V}$)

Figure 1 : Maximum Output Current vs Voltage Drop

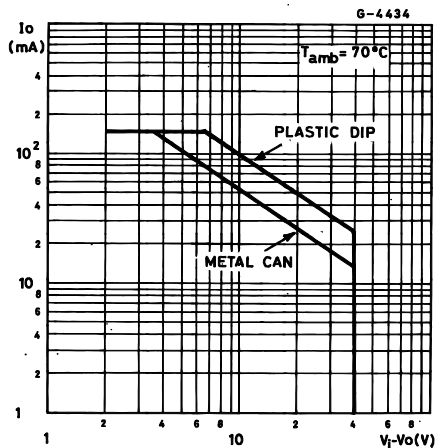


Figure 2 : Current Limiting Characteristics

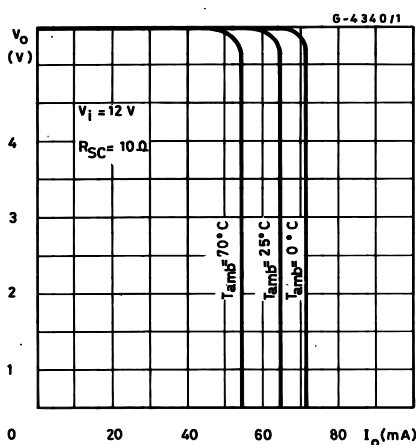


Figure 3 : Current Limiting Characteristics vs Junction Temperature

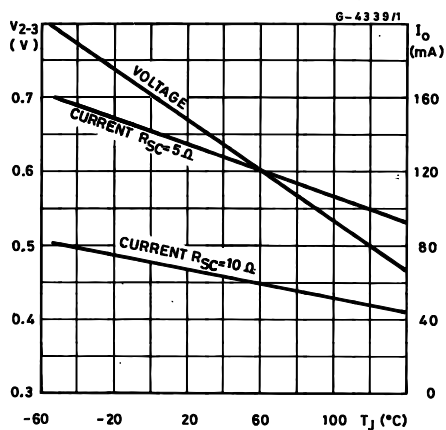


Figure 4 : Load Regulation Characteristics without Current Limiting

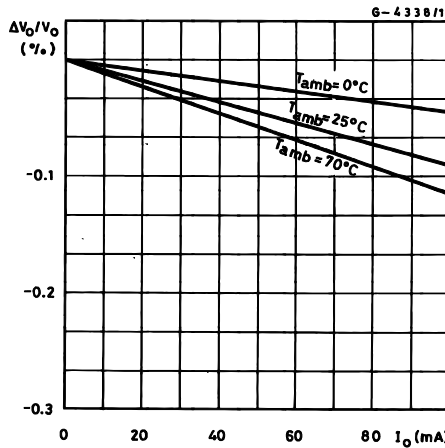


Figure 5 : Load Regulation Characteristics with Current Limiting

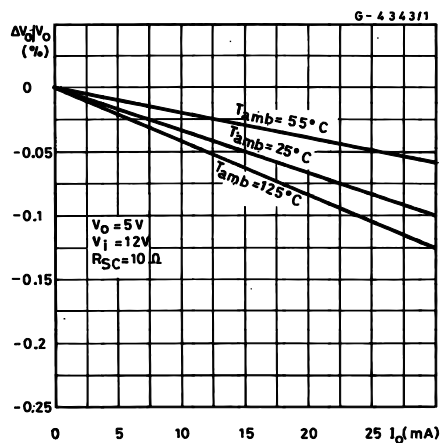


Figure 6 : Load Regulation Characteristics with Current Limiting

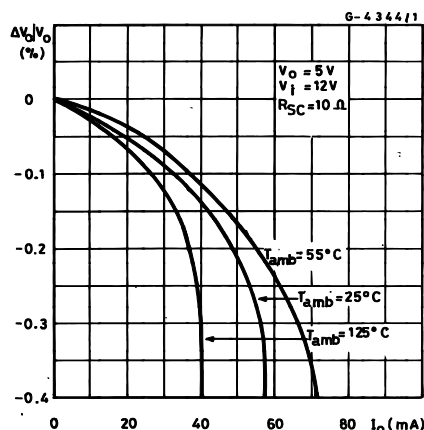


Figure 7 : Line Regulation vs Voltage Drop

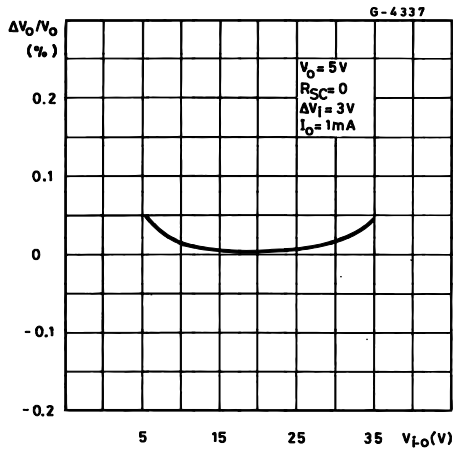


Figure 10 : Line Transient Response

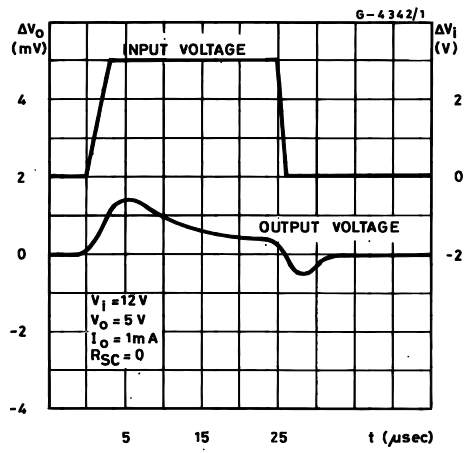


Figure 8 : Load Regulation vs Voltage Drop

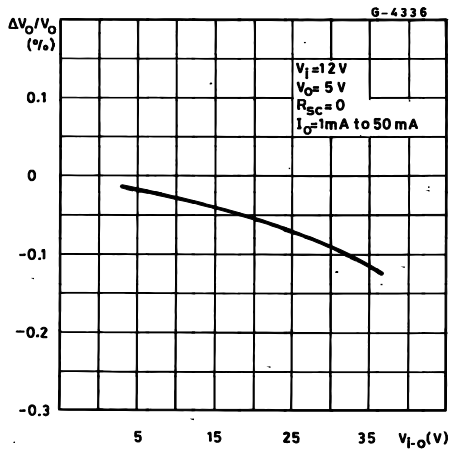


Figure 11 : Load Transient Response

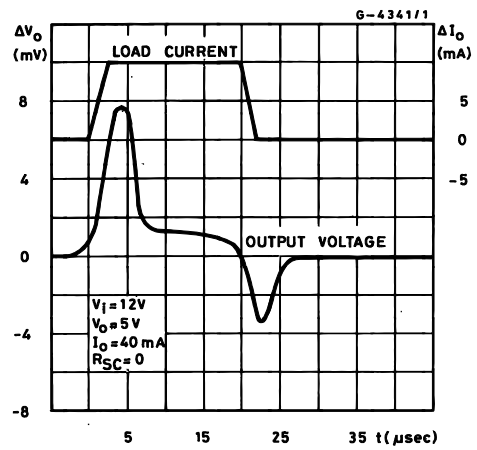


Figure 9 : Quiescent Drain Current vs Input Voltage

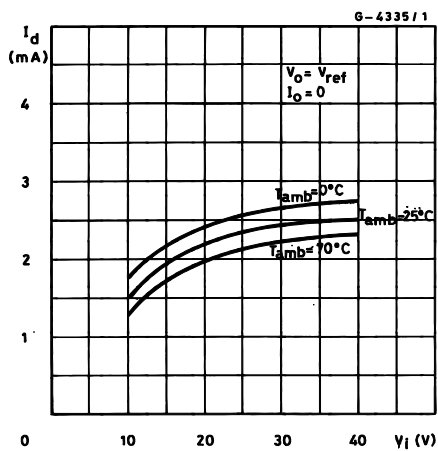


Figure 12 : Output Impedance vs Frequency

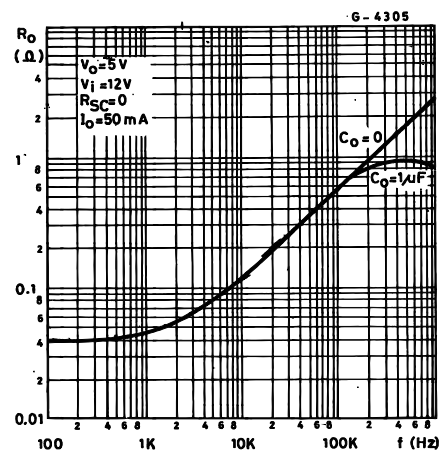


TABLE 1: Resistor Values (K Ω) for standard Output Voltages

Output Voltage	Applicable Figures	Fixed Output $\pm 5\%$		Output Adjustable $\pm 10\%$ *		
		R1	R2	R1	P1	R2
+3	13, 16, 17, 18, 21, 23	4.12	3.01	1.8	0.5	1.2
+5	13, 16, 17, 18, 21, 23	2.15	4.99	0.75	0.5	2.2
+6	13, 16, 17, 18, 21, 23	1.15	6.04	0.5	0.5	2.7
+9	14, 16, 17, 18, 21, 23	1.87	7.15	0.75	1	2.7
+12	14, 16, 17, 18, 21, 23	4.87	7.15	2	1	3
+15	14, 16, 17, 18, 21, 23	7.87	7.15	3.3	1	3
+28	14, 16, 17, 18, 21, 23	21	7.15	5.6	1	2
+45	19	3.57	48.7	2.2	10	39
+75	19	3.57	78.7	2.2	10	68
+100	19	3.57	102	2.2	10	91
+250	19	3.57	255	2.2	10	240
-6**	15	3.57	2.43	1.2	0.5	0.75
-9	15	3.48	5.36	1.2	0.5	2
-12	15	3.57	8.45	1.2	0.5	3.3
-15	15	3.65	11.5	1.2	0.5	4.3
-28	15	3.57	24.3	1.2	0.5	10
-45	20	3.57	21.2	2.2	10	33
-100	20	3.57	97.6	2.2	10	91
-250	20	3.57	249	2.2	10	240

* Replace R1/R2 divider with the circuit of fig. 24.

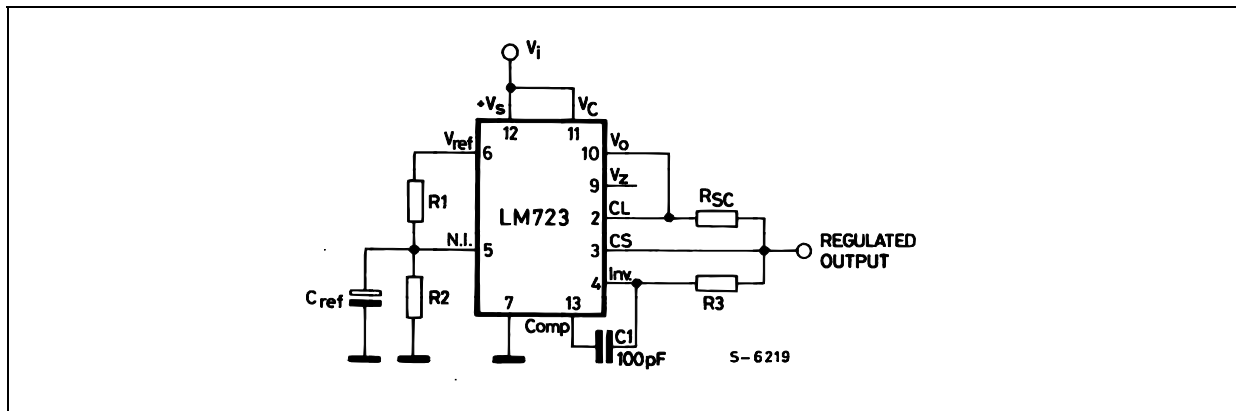
** V+ must be connected to a +3V or greater supply.

TABLE 2: Formula for Intermediate Output Voltages

Outputs from 2 to 7V Fig. 13, 16, 17, 18, 21, 23 $V_O = (V_{REF} \times R_2) / (R_1 + R_2)$	Outputs from 4 to 250V Fig. 19 $V_O = (V_{REF}/2) \times [(R_2 - R_1) / R_1]; R_3 = R_4$	Current Limit $I_{LIMIT} = V_{SENSE} / R_{SC}$
Outputs from 7 to 37V Fig. 14, 16, 17, 18, 21, 23 $V_O = V_{REF} \times [(R_1 + R_2) / R_2]$	Outputs from -6 to -250V Fig. 15, 20 $V_O = (V_{REF}/2) \times [(R_1 + R_2) / R_1]; R_3 = R_4$	Foldback Current Limiting $I_{KNEE} = [(V_O \times R_3) / (R_{SC} \times R_4)] \times [V_{SENSE} \times (R_3 + R_4) / (R_{SC} \times R_4)]$ $I_{SHORTCKT} = (V_{SENSE} / R_{SC}) \times [(R_3 + R_4) / R_4]$

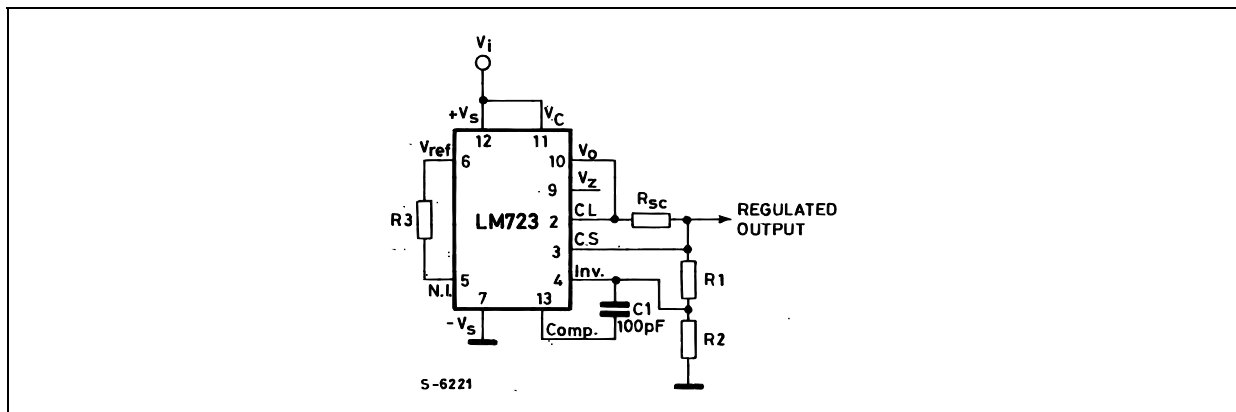
APPLICATIONS INFORMATION

Figure 13 : Basic Low Voltage Regulator ($V_O = 2$ to $7V$).



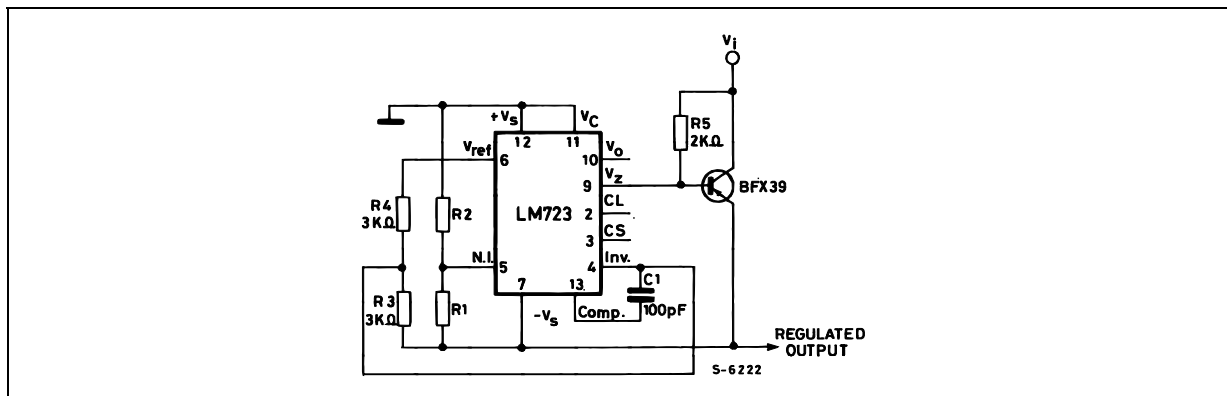
NOTE: $R_3 = (R_1 \times R_2) / (R_1 + R_2)$ for minimum temperature drift.
 R_3 may be eliminated for minimum component count.
 Typical performance
 Regulated Output Voltage.....5V
 Line Regulation ($\Delta V_I = 3V$).....0.5mV
 Load Regulation ($\Delta I_O = 50mA$)...1.5mV

Figure 14 : Basic High Voltage Regulator ($V_O = 7$ to $37V$)



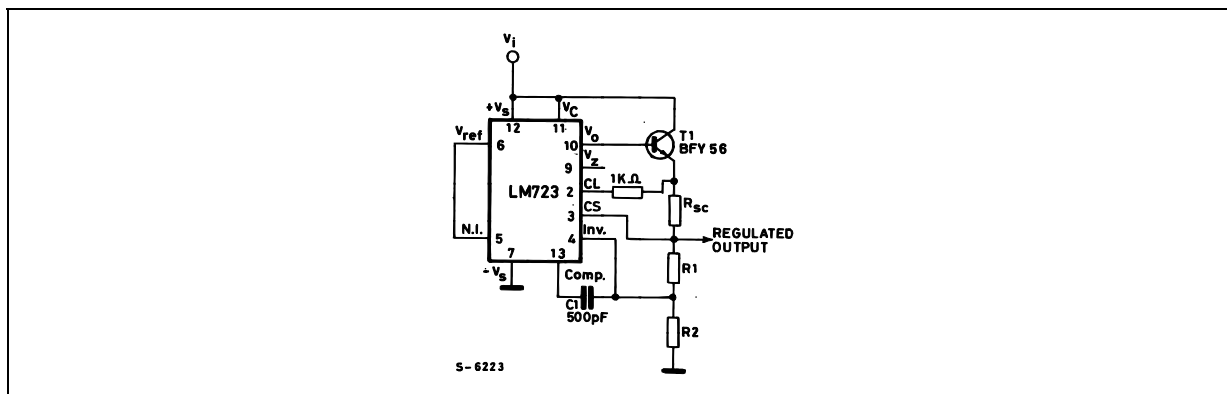
NOTE: $R_3 = (R_1 \times R_2) / (R_1 + R_2)$ for minimum temperature drift.
 R_3 may be eliminated for minimum component count.
 Typical performance
 Regulated Output Voltage.....15V
 Line Regulation ($\Delta V_I = 3V$).....1.5mV
 Load Regulation ($\Delta I_O = 50mA$)....4.5mV

Figure 15 : Negative Voltage Regulator



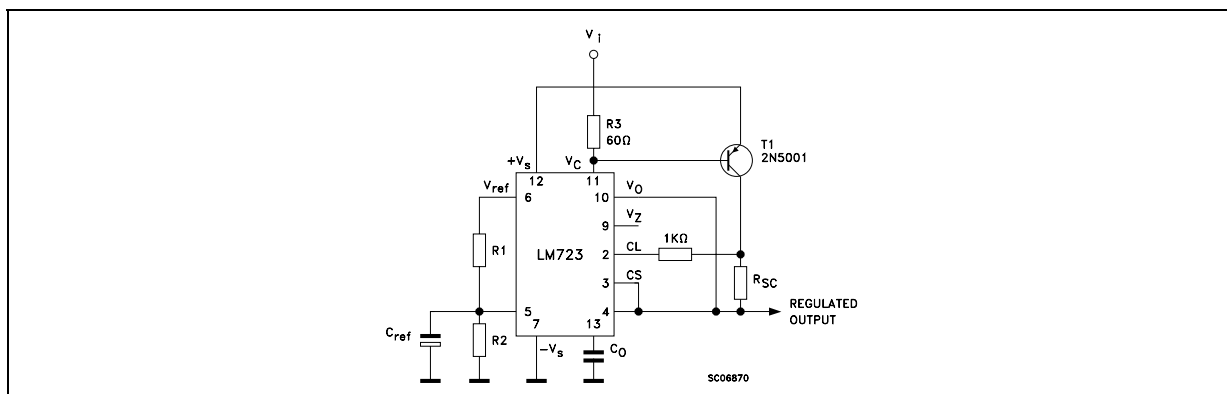
Typical performance
 Regulated Output Voltage.....15V
 Line Regulation ($\Delta V_I = 3V$).....1mV
 Load Regulation ($\Delta I_O = 100mA$).....2mV

Figure 16 : Positive Voltage Regulator (External NPN Pass Transistor)



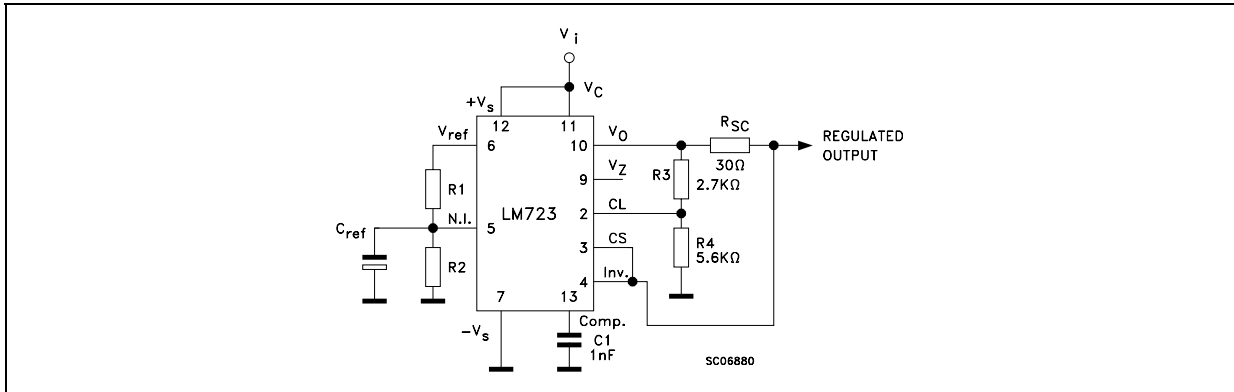
Typical performance
 Regulated Output Voltage.....15V
 Line Regulation ($\Delta V_I = 3V$).....1.5mV
 Load Regulation ($\Delta I_O = 1A$).....15mV

Figure 17 : Positive Voltage Regulator (External PNP Pass Transistor)



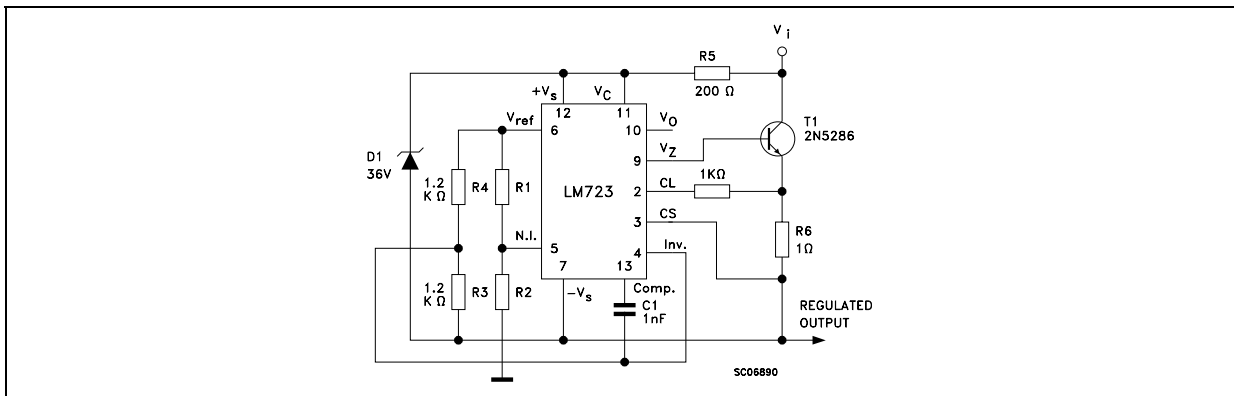
Typical performance
 Regulated Output Voltage.....5V
 Line Regulation ($\Delta V_I = 3V$).....0.5mV
 Load Regulation ($\Delta I_O = 1A$).....1.5mV

Figure 18 : Foldback current limiting



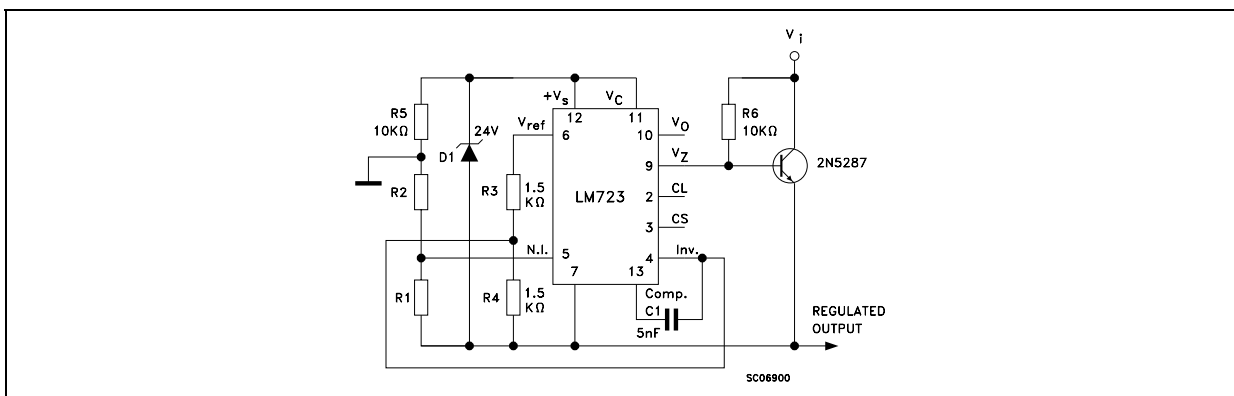
Typical performance
 Regulated Output Voltage.....5V
 Line Regulation ($\Delta V_I = 3V$).....0.5mV
 Load Regulation ($\Delta I_O = 10mA$).....1mV
 Current Limit Knee.....20mA

Figure 19 : Positive Floating Regulator



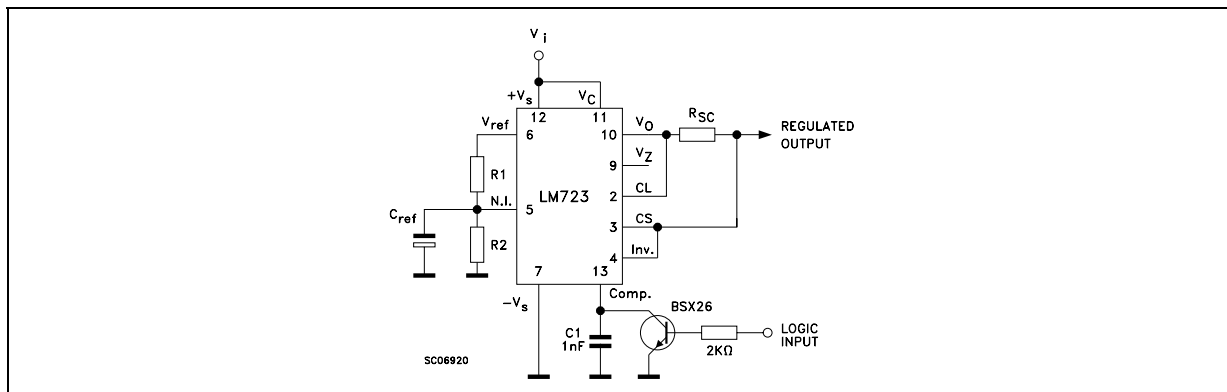
Typical performance
 Regulated Output Voltage.....100V
 Line Regulation ($\Delta V_I = 20V$).....15mV
 Load Regulation ($\Delta I_O = 50mA$).....20mV

Figure 20 : Negative Floating Regulator



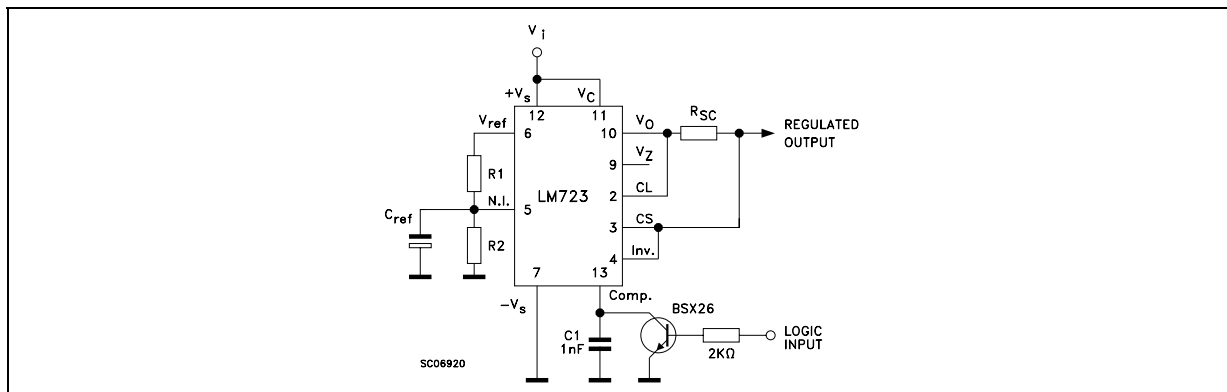
Typical performance
 Regulated Output Voltage.....-100V
 Line Regulation ($\Delta V_I = 20V$).....30mV
 Load Regulation ($\Delta I_O = 100mA$).....20mV

Figure 21 : Positive Switching Regulator



Typical performance
 Regulated Output Voltage.....5V
 Line Regulation ($\Delta V_i = 30V$).....10mV
 Load Regulation ($\Delta I_O = 2A$).....80mV

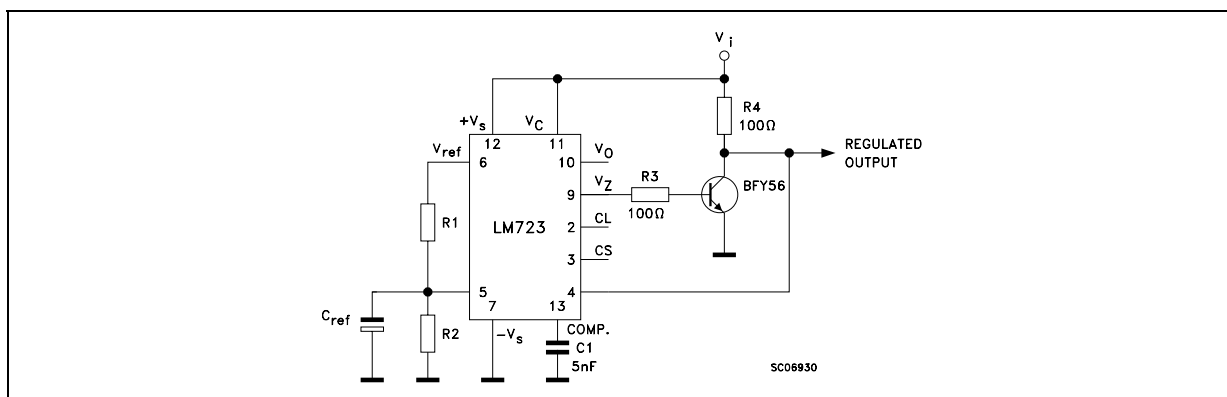
Figure 22 : Remote Shutdown Regulator with Current Limiting



Note: current limit transistor may be used for shutdown if current limiting is not required.

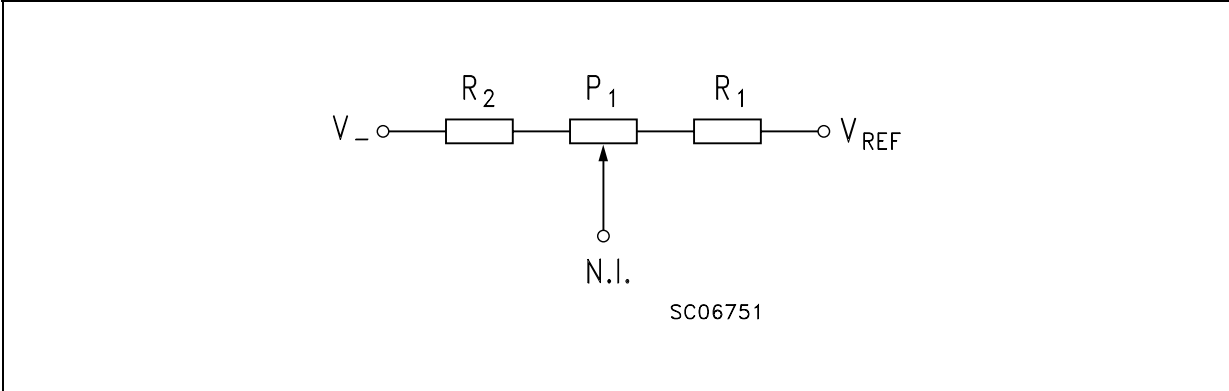
Typical performance
 Regulated Output Voltage.....5V
 Line Regulation ($\Delta V_i = 3V$).....0.5mV
 Load Regulation ($\Delta I_O = 50mA$).....1.5mV

Figure 23 : Shunt Regulator



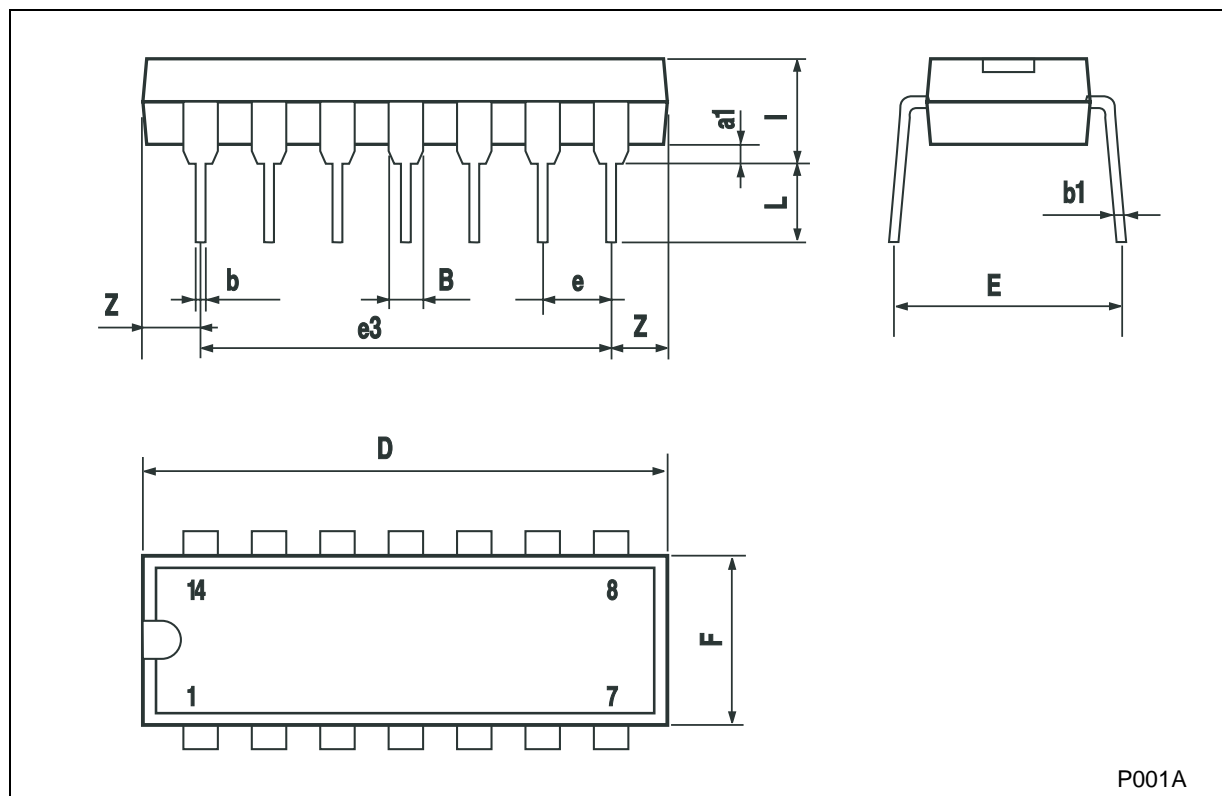
Typical performance
 Regulated Output Voltage.....5V
 Line Regulation ($\Delta V_i = 10V$).....2mV
 Load Regulation ($\Delta I_O = 100mA$).....5mV

Figure 24 : Output Voltage Adjust



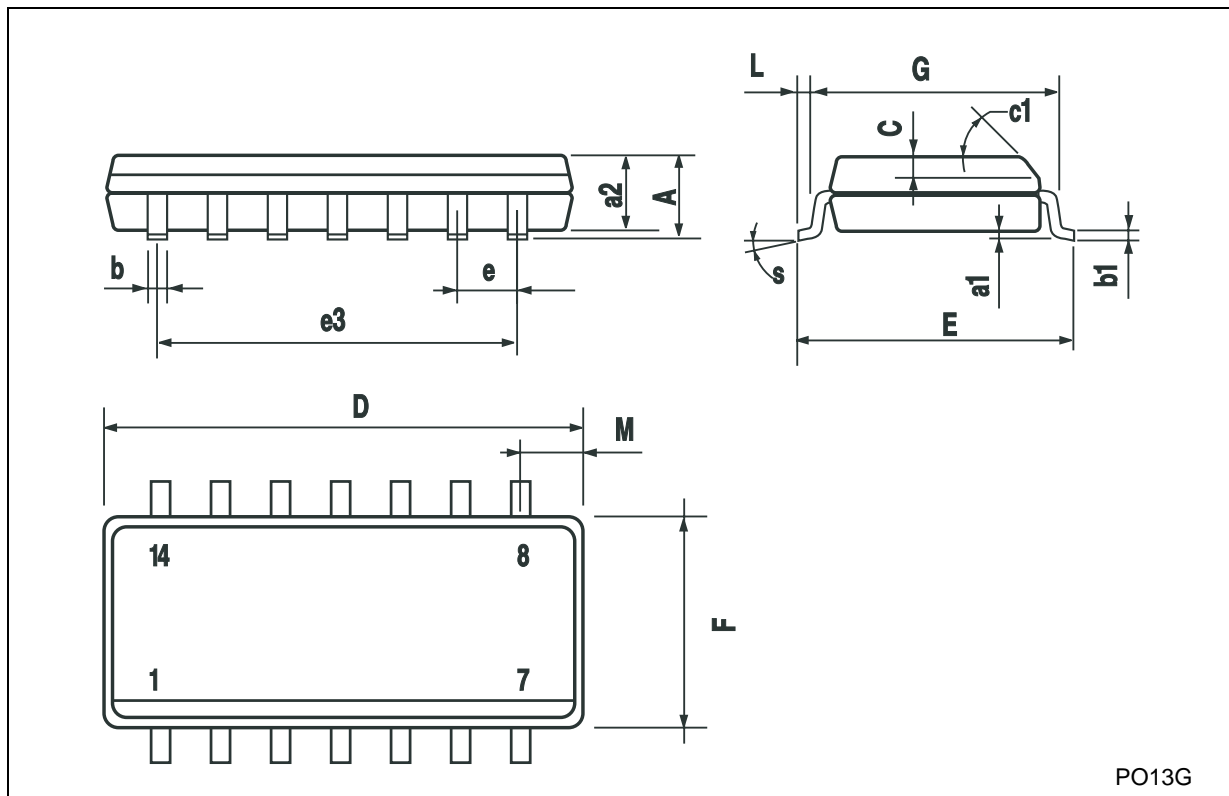
Plastic DIP-14 MECHANICAL DATA

DIM.	mm.			inch		
	MIN.	TYP	MAX.	MIN.	TYP.	MAX.
a1	0.51			0.020		
B	1.39		1.65	0.055		0.065
b		0.5			0.020	
b1		0.25			0.010	
D			20			0.787
E		8.5			0.335	
e		2.54			0.100	
e3		15.24			0.600	
F			7.1			0.280
I			5.1			0.201
L		3.3			0.130	
Z	1.27		2.54	0.050		0.100



SO-14 MECHANICAL DATA

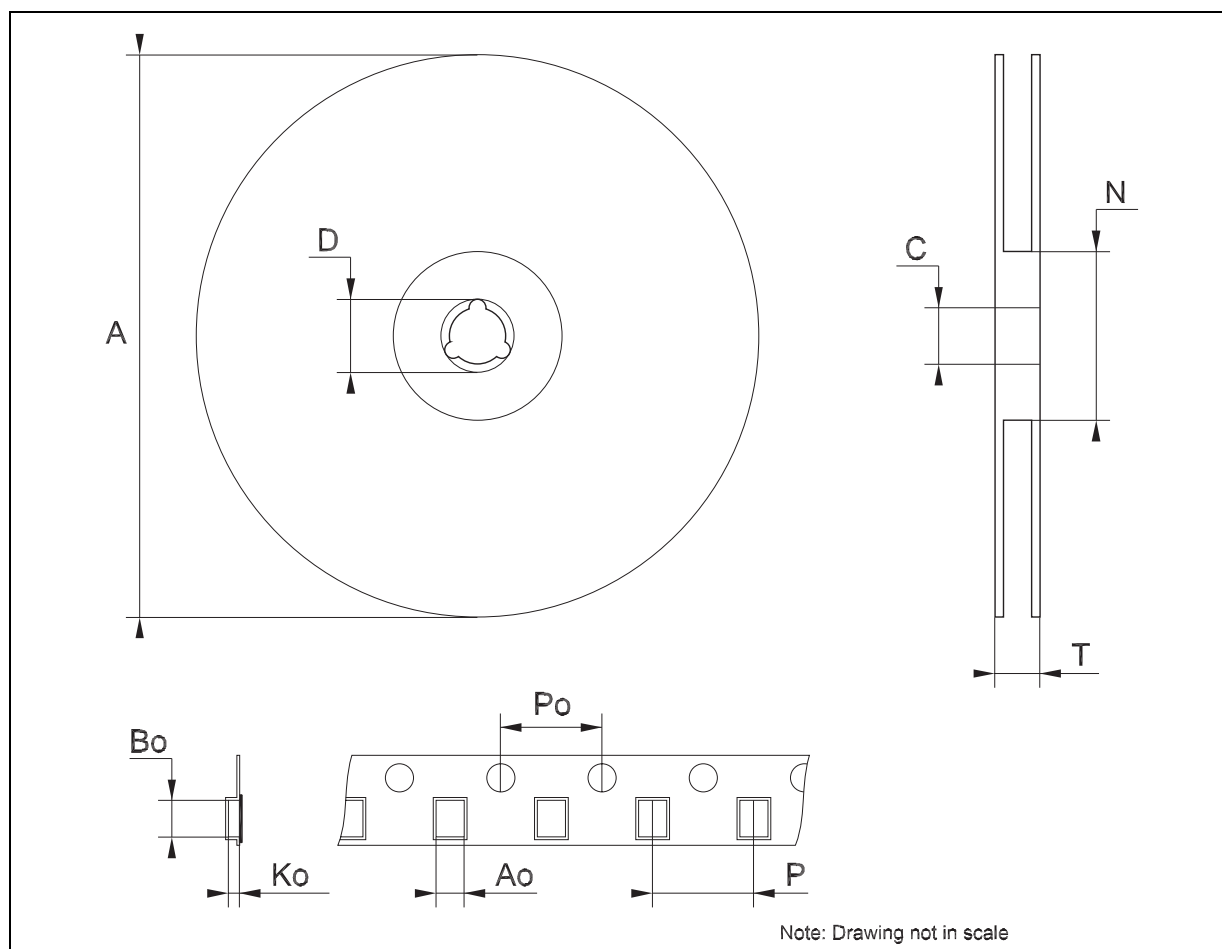
DIM.	mm.			inch		
	MIN.	TYP.	MAX.	MIN.	TYP.	MAX.
A			1.75			0.068
a1	0.1		0.2	0.003		0.007
a2			1.65			0.064
b	0.35		0.46	0.013		0.018
b1	0.19		0.25	0.007		0.010
C		0.5			0.019	
c1	45° (typ.)					
D	8.55		8.75	0.336		0.344
E	5.8		6.2	0.228		0.244
e		1.27			0.050	
e3		7.62			0.300	
F	3.8		4.0	0.149		0.157
G	4.6		5.3	0.181		0.208
L	0.5		1.27	0.019		0.050
M			0.68			0.026
S	8° (max.)					



PO13G

Tape & Reel SO-14 MECHANICAL DATA

DIM.	mm.			inch		
	MIN.	TYP	MAX.	MIN.	TYP.	MAX.
A			330			12.992
C	12.8		13.2	0.504		0.519
D	20.2			0.795		
N	60			2.362		
T			22.4			0.882
Ao	6.4		6.6	0.252		0.260
Bo	9		9.2	0.354		0.362
Ko	2.1		2.3	0.082		0.090
Po	3.9		4.1	0.153		0.161
P	7.9		8.1	0.311		0.319



Information furnished is believed to be accurate and reliable. However, STMicroelectronics assumes no responsibility for the consequences of use of such information nor for any infringement of patents or other rights of third parties which may result from its use. No license is granted by implication or otherwise under any patent or patent rights of STMicroelectronics. Specifications mentioned in this publication are subject to change without notice. This publication supersedes and replaces all information previously supplied. STMicroelectronics products are not authorized for use as critical components in life support devices or systems without express written approval of STMicroelectronics.

The ST logo is a registered trademark of STMicroelectronics
All other names are the property of their respective owners

© 2003 STMicroelectronics - All Rights Reserved
STMicroelectronics GROUP OF COMPANIES

Australia - Belgium - Brazil - Canada - China - Czech Republic - Finland - France - Germany - Hong Kong - India - Israel - Italy - Japan -
Malaysia - Malta - Morocco - Singapore - Spain - Sweden - Switzerland - United Kingdom - United States.

<http://www.st.com>

Looking for pricing, stock, or lifecycle information?

Click below to explore more details on WIN SOURCE:

 [View LM723CD013TR](#) on WIN SOURCE

 [STMicroelectronics](#) Information

Optimize Your Supply Chain with WIN SOURCE Solutions

-  Global Sourcing Solution
-  Obsolete Management
-  Cost Control Management
-  Shortage Management
-  Alternative Solution
-  Excess Inventory Management