



**THE DATASHEET OF  
LMZ31506HRUQT**



## LMZ31506H 6-A Power Module With 4.5-V to 14.5-V Input in QFN Package

### 1 Features

- Complete Integrated Power Solution Allows Small Footprint, Low-Profile Design
- 9-mm × 15-mm × 2.8-mm package
- Efficiencies Up To 96%
- Wide-Output Voltage Adjust 1.2 V to 5.5 V, with 1% Reference Accuracy
- Optional Split Power Rail allows Input Voltage Down to 1.7 V
- Adjustable Switching Frequency (480 kHz to 780 kHz)
- Synchronizes to an External Clock
- Adjustable Slow-Start
- Output Voltage Sequencing and Tracking
- Power Good Output
- Programmable Undervoltage Lockout (UVLO)
- Output Overcurrent Protection
- Over Temperature Protection
- Pre-bias Output Start-up
- Operating Temperature Range: –40°C to +85°C
- Enhanced Thermal Performance: 13°C/W
- Meets EN55022 Class B Emissions - Integrated Shielded Inductor
- Create a Custom Design Using the LMZ31506H With the [WEBENCH® Power Designer](#)

### 2 Applications

- Broadband and Communications Infrastructure
- Automated Test and Medical Equipment
- Compact PCI / PCI Express / PXI Express
- DSP and FPGA Point of Load Applications
- High-Density Distributed Power Systems

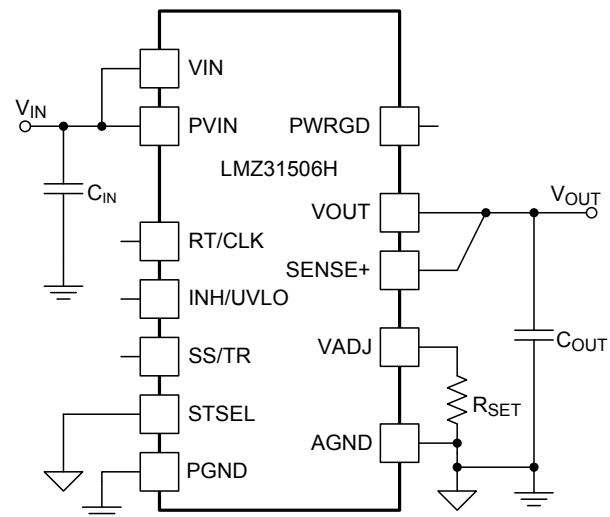
### 3 Description

The LMZ31506H power module is an easy-to-use integrated power solution that combines a 6-A DC-to-DC converter with power MOSFETs, a shielded inductor, and passives into a low profile, QFN package. This total power solution allows as few as 3 external components and eliminates the loop compensation and magnetics part selection process.

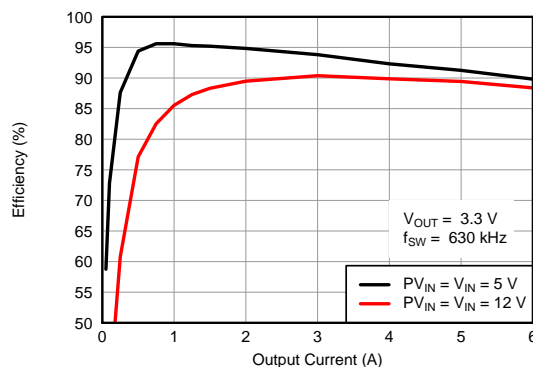
The 9×15×2.8 mm QFN package is easy to solder onto a printed circuit board and allows a compact point-of-load design with greater than 90% efficiency and excellent power dissipation with a thermal impedance of 13°C/W junction to ambient. The device delivers the full 6-A rated output current at 85°C ambient temperature without airflow.

The LMZ31506H offers the flexibility and the feature-set of a discrete point-of-load design and is ideal for powering performance DSPs and FPGAs. Advanced packaging technology afford a robust and reliable power solution compatible with standard QFN mounting and testing techniques.

#### Simplified Application



#### Efficiency



### 3.1 Absolute Maximum Ratings<sup>(1)</sup>

over operating temperature range (unless otherwise noted)

|  |  | VALUE                     | UNIT |
|--|--|---------------------------|------|
| Input Voltage                                    | VIN  | –0.3 to 16                | V    |
|  | PVIN   | –0.3 to 16                | V    |
|  | INH/UVLO   | –0.3 to 6                 | V    |
|  | VADJ   | –0.3 to 3                 | V    |
|  | PWRGD  | –0.3 to 6                 | V    |
|  | SS/TR  | –0.3 to 3                 | V    |
|  | STSEL  | –0.3 to 3                 | V    |
|  | RT/CLK   | –0.3 to 6                 | V    |
| Output Voltage                                   | PH   | –1 to 20                  | V    |
|  | PH 10ns Transient                                      | –3 to 20                  | V    |
| V <sub>DIFF</sub> (GND to exposed thermal pad)   |  | –0.2 to 0.2               | V    |
| Source Current                                   | RT/CLK   | ±100                      | µA   |
|  | PH   | Current Limit             | A    |
| Sink Current                                     | PH   | Current Limit             | A    |
|  | PVIN   | Current Limit             | A    |
|  | PWRGD  | –0.1 to 5                 | mA   |
| Operating Junction Temperature                   |  | –40 to 125 <sup>(2)</sup> | °C   |
| Storage Temperature                              |  | –65 to 150                | °C   |
| Peak Reflow Case Temperature <sup>(3)</sup>      |  | 245 <sup>(4)</sup>        | °C   |
| Maximum Number of Reflows Allowed <sup>(3)</sup> |  | 3 <sup>(4)</sup>          |      |
| Mechanical Shock                                 | Mil-STD-883D, Method 2002.3, 1 msec, 1/2 sine, mounted | 1500                      | G    |
| Mechanical Vibration                             | Mil-STD-883D, Method 2007.2, 20-2000Hz                 | 20                        |      |

- (1) Stresses beyond those listed under absolute maximum ratings may cause permanent damage to the device. These are stress ratings only, and functional operation of the device at these or any other conditions beyond those indicated under recommended operating conditions is not implied. Exposure to absolute-maximum-rated conditions for extended periods may affect device reliability.
- (2) See the temperature derating curves in the *Typical Characteristics* section for thermal information.
- (3) For soldering specifications, refer to the [Soldering Requirements for BQFN Packages](#) application note.
- (4) Devices with a date code prior to week 14 2018 (1814) have a peak reflow case temperature of 240°C with a maximum of one reflow

### 3.2 Thermal Information

| THERMAL METRIC <sup>(1)</sup> |   | LMZ31506H | UNIT |
|-------------------------------|---|-----------|------|
|                               |   | RUQ47     |      |
|                               |   | 47 PINS   |      |
| $\theta_{JA}$                 | Junction-to-ambient thermal resistance <sup>(2)</sup>       | 13        | °C/W |
| $\theta_{JCTop}$              | Junction-to-case (top) thermal resistance <sup>(3)</sup>    | 9         |      |
| $\theta_{JB}$                 | Junction-to-board thermal resistance <sup>(4)</sup>         | 6         |      |
| $\psi_{JT}$                   | Junction-to-top characterization parameter <sup>(5)</sup>   | 2.5       |      |
| $\psi_{JB}$                   | Junction-to-board characterization parameter <sup>(6)</sup> | 5         |      |
| $\theta_{JCbott}$             | Junction-to-case (bottom) thermal resistance <sup>(7)</sup> | 3.8       |      |

- For more information about traditional and new thermal metrics, see the *Semiconductor and IC Package Thermal Metrics* application report (SPRA953).
- The junction-to-ambient thermal resistance under natural convection is obtained in a simulation on a JEDEC-standard, high-K board, as specified in JESD51-7, in an environment described in JESD51-2a.
- The junction-to-case (top) thermal resistance is obtained by simulating a cold plate test on the package top. No specific JEDEC-standard test exists, but a close description can be found in the ANSI SEMI standard G30-88.
- The junction-to-board thermal resistance is obtained by simulating in an environment with a ring cold plate fixture to control the PCB temperature, as described in JESD51-8.
- The junction-to-top characterization parameter,  $\psi_{JT}$ , estimates the junction temperature of a device in a real system and is extracted from the simulation data for obtaining  $R_{\theta JA}$ , using a procedure described in JESD51-2a (sections 6 and 7).
- The junction-to-board characterization parameter,  $\psi_{JB}$ , estimates the junction temperature of a device in a real system and is extracted from the simulation data for obtaining  $R_{\theta JA}$ , using a procedure described in JESD51-2a (sections 6 and 7).
- The junction-to-case (bottom) thermal resistance is obtained by simulating a cold plate test on the exposed (power) pad. No specific JEDEC standard test exists, but a close description can be found in the ANSI SEMI standard G30-88.

### 3.3 Package Specifications

| LMZ31506H                   |   | UNIT       |
|-----------------------------|---|------------|
| Weight                      |   | 1.26 grams |
| Flammability                | Meets UL 94 V-O   |            |
| MTBF Calculated reliability | Per Bellcore TR-332, 50% stress, $T_A = 40^\circ\text{C}$ , ground benign | 33.9 Mhrs  |

### 3.4 Electrical Characteristics

over  $-40^\circ\text{C}$  to  $85^\circ\text{C}$  free-air temperature,  $P_{VIN} = V_{IN} = 12\text{ V}$ ,  $V_{OUT} = 1.8\text{ V}$ ,  $I_{OUT} = 6\text{ A}$ ,  
 $C_{IN1} = 2 \times 22\text{-}\mu\text{F}$  ceramic,  $C_{IN2} = 68\text{ }\mu\text{F}$  poly-tantalum,  $C_{OUT1} = 4 \times 47\text{-}\mu\text{F}$  ceramic (unless otherwise noted)

| PARAMETER                                  | TEST CONDITIONS                               | MIN  | TYP  | MAX                        | UNIT |
|--|---|--|------|----------------------------|------|
| $I_{OUT}$ Output current                   | $T_A = 85^\circ\text{C}$ , natural convection | 0  |      | 6                          | A    |
| $V_{IN}$ Input bias voltage range          | Over $I_{OUT}$ range                          | 4.5  |      | 14.5                       | V    |
| $P_{VIN}$ Input switching voltage range    | Over $I_{OUT}$ range                          | 1.7 <sup>(1)</sup>   |      | 14.5                       | V    |
| $UVLO$ $V_{IN}$ Undervoltage lockout       | $V_{IN}$ = increasing                         |  | 4.0  | 4.5                        | V    |
|  | $V_{IN}$ = decreasing                         | 3.5  | 3.85 |                            |      |
| $V_{OUT(adj)}$ Output voltage adjust range | Over $I_{OUT}$ range                          | 1.2  |      | 5.5                        | V    |
| $V_{OUT}$                                  | Set-point voltage tolerance                   |  |      | $\pm 1.0\%$ <sup>(2)</sup> |      |
|  | Temperature variation                         | $-40^\circ\text{C} \leq T_A \leq +85^\circ\text{C}$ , $I_{OUT} = 0\text{ A}$ |      | $\pm 0.3\%$                |      |
|  | Line regulation                               | Over $P_{VIN}$ range, $T_A = 25^\circ\text{C}$ , $I_{OUT} = 0\text{ A}$      |      | $\pm 0.1\%$                |      |
|  | Load regulation                               | Over $I_{OUT}$ range, $T_A = 25^\circ\text{C}$                               |      | $\pm 0.1\%$                |      |
|  | Total output voltage variation                | Includes set-point, line, load, and temperature variation                    |      | $\pm 1.5\%$ <sup>(2)</sup> |      |

- The minimum  $P_{VIN}$  voltage is 1.7V or  $(V_{OUT} + 0.5\text{ V})$ , whichever is greater.  $V_{IN}$  must be greater than 4.5 V.
- The stated limit of the set-point voltage tolerance includes the tolerance of both the internal voltage reference and the internal adjustment resistor. The overall output voltage tolerance will be affected by the tolerance of the external  $R_{SET}$  resistor.

## Electrical Characteristics (continued)

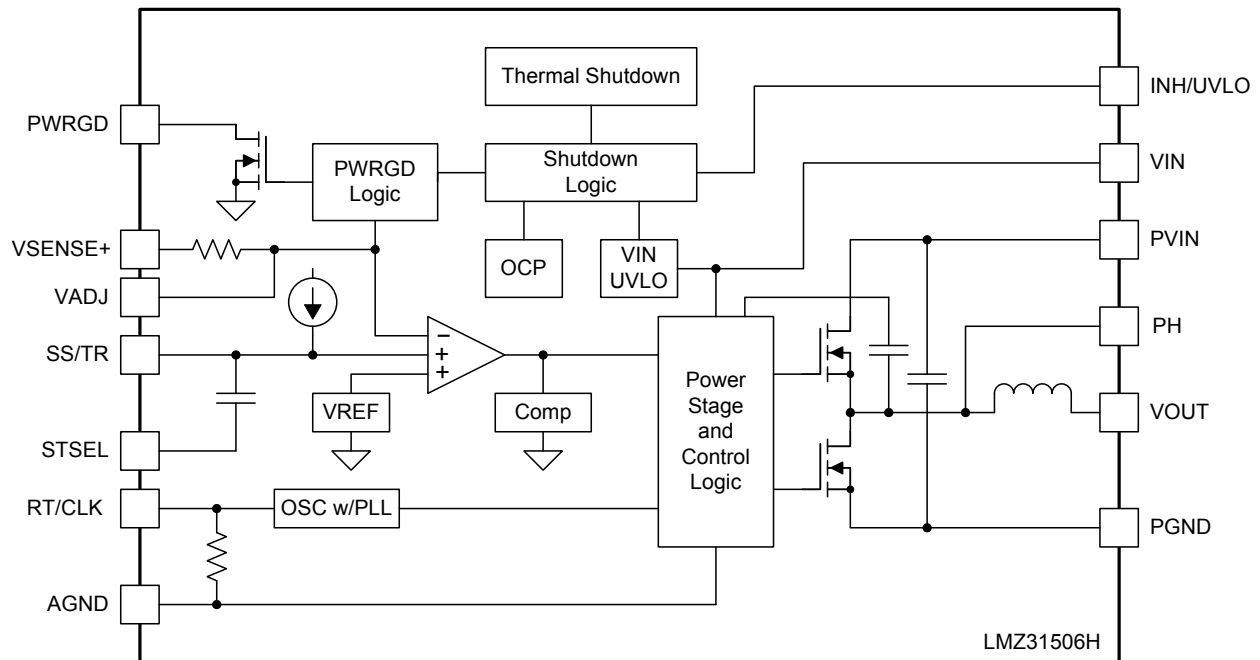
over -40°C to 85°C free-air temperature,  $P_{VIN} = V_{IN} = 12\text{ V}$ ,  $V_{OUT} = 1.8\text{ V}$ ,  $I_{OUT} = 6\text{ A}$ ,  
 $C_{IN1} = 2 \times 22\text{-}\mu\text{F}$  ceramic,  $C_{IN2} = 68\text{ }\mu\text{F}$  poly-tantalum,  $C_{OUT1} = 4 \times 47\text{-}\mu\text{F}$  ceramic (unless otherwise noted)

| PARAMETER   | TEST CONDITIONS  |   | MIN               | TYP                | MAX                 | UNIT             |  |
|---|--|---|-------------------|--------------------|---------------------|------------------|--|
| $\eta$ Efficiency                                 | PVIN = VIN = 12 V<br>I <sub>O</sub> = 3 A                      | V <sub>OUT</sub> = 5V, f <sub>SW</sub> = 780kHz   |                   | 93 %               |                     |                  |  |
|   |  | V <sub>OUT</sub> = 3.3V, f <sub>SW</sub> = 630kHz |                   | 90 %               |                     |                  |  |
|   |  | V <sub>OUT</sub> = 2.5V, f <sub>SW</sub> = 530kHz |                   | 89 %               |                     |                  |  |
|   |  | V <sub>OUT</sub> = 1.8V, f <sub>SW</sub> = 480kHz |                   | 87 %               |                     |                  |  |
|   |  | V <sub>OUT</sub> = 1.5V, f <sub>SW</sub> = 480kHz |                   | 85 %               |                     |                  |  |
|   |  | V <sub>OUT</sub> = 1.2V, f <sub>SW</sub> = 480kHz |                   | 83 %               |                     |                  |  |
|   | PVIN = VIN = 5 V<br>I <sub>O</sub> = 3 A                       | V <sub>OUT</sub> = 3.3V, f <sub>SW</sub> = 630kHz |                   | 94 %               |                     |                  |  |
|   |  | V <sub>OUT</sub> = 2.5V, f <sub>SW</sub> = 530kHz |                   | 92 %               |                     |                  |  |
|   |  | V <sub>OUT</sub> = 1.8V, f <sub>SW</sub> = 480kHz |                   | 90 %               |                     |                  |  |
|   |  | V <sub>OUT</sub> = 1.5V, f <sub>SW</sub> = 480kHz |                   | 88 %               |                     |                  |  |
| V <sub>OUT</sub> = 1.2V, f <sub>SW</sub> = 480kHz |  | 86 %  |                   |                    |                     |                  |  |
| Output voltage ripple                             | 20 MHz bandwidth   |   |                   | 30                 |                     | mV <sub>PP</sub> |  |
| I <sub>LIM</sub> Overcurrent threshold            |  |   |                   | 11                 |                     | A                |  |
| Transient response                                | 1.0 A/ $\mu$ s load step from 50 to 100% I <sub>OUT(max)</sub> | Recovery time                                     |                   | 80                 |                     | $\mu$ s          |  |
|   |  | V <sub>OUT</sub> over/undershoot                  |                   | 60                 |                     | mV               |  |
| V <sub>INH-H</sub> Inhibit Control                | Inhibit High Voltage   |   | 1.30              |                    | Open <sup>(3)</sup> | V                |  |
| V <sub>INH-L</sub> Inhibit Control                | Inhibit Low Voltage  |   | -0.3              |                    | 1.05                | V                |  |
| INH Input current                                 | INH < 1.1 V  |   |                   | -1.15              |                     | $\mu$ A          |  |
| INH Hysteresis current                            | INH > 1.26 V   |   |                   | -3.4               |                     | $\mu$ A          |  |
| I <sub>I(stby)</sub> Input standby current        | INH pin to AGND  |   |                   | 2                  | 4                   | $\mu$ A          |  |
| Power Good  | PWRGD Thresholds   | V <sub>OUT</sub> rising                           | Good              | 94%                |                     |                  |  |
|   |  |   | Fault             | 109%               |                     |                  |  |
|   | PWRGD Low Voltage  | V <sub>OUT</sub> falling                          | Fault             | 91%                |                     |                  |  |
|   |  |   | Good              | 106%               |                     |                  |  |
|   | I(PWRGD) = 2 mA  |   |                   |                    | 0.3                 | V                |  |
| f <sub>SW</sub> Switching frequency               | Over VIN and I <sub>OUT</sub> ranges, RT/CLK pin OPEN          |   | 400               | 480                | 560                 | kHz              |  |
| f <sub>CLK</sub> Synchronization frequency        |  |   | 480               |                    | 780                 | kHz              |  |
| V <sub>CLK-H</sub> CLK High-Level Threshold       | CLK Control  |   | 2.0               |                    | 5.5                 | V                |  |
| V <sub>CLK-L</sub> CLK Low-Level Threshold        |  |   |                   |                    | 0.8                 | V                |  |
| D <sub>CLK</sub> CLK Duty cycle                   |  |   | 20%               |                    | 80%                 |                  |  |
| Thermal Shutdown                                  | Thermal shutdown   |   | 160               | 175                |                     | °C               |  |
|   | Thermal shutdown hysteresis                                    |   |                   | 10                 |                     | °C               |  |
| C <sub>IN</sub> External input capacitance        | Ceramic  |   | 44 <sup>(4)</sup> |                    |                     | $\mu$ F          |  |
|   | Non-ceramic  |   | 68 <sup>(4)</sup> |                    |                     | $\mu$ F          |  |
| C <sub>OUT</sub> External output capacitance      | Ceramic  |   | 47 <sup>(5)</sup> | 200                | 1500                | $\mu$ F          |  |
|   | Non-ceramic  |   |                   | 220 <sup>(5)</sup> | 5000                | $\mu$ F          |  |
|   | Equivalent series resistance (ESR)                             |   |                   |                    | 35                  | m $\Omega$       |  |

- (3) This control pin has an internal pullup. If this pin is left open circuit, the device operates when input power is applied. A small low-leakage (<300 nA) MOSFET is recommended for control. See the application section for further guidance.
- (4) A minimum of 100 $\mu$ F of polymer tantalum and/or ceramic external capacitance is required across the input (VIN and PVIN connected) for proper operation. Locate the capacitor close to the device. See [Table 5](#) for more details. When operating with split VIN and PVIN rails, place 4.7 $\mu$ F of ceramic capacitance directly at the VIN pin.
- (5) The amount of required output capacitance varies depending on the output voltage (see [Table 3](#)). The amount of required capacitance must include at least 1x 47 $\mu$ F ceramic capacitor. Locate the capacitance close to the device. Adding additional capacitance close to the load improves the response of the regulator to load transients. See [Table 3](#) and [Table 5](#) more details.

## 4 Device Information

Functional Block Diagram



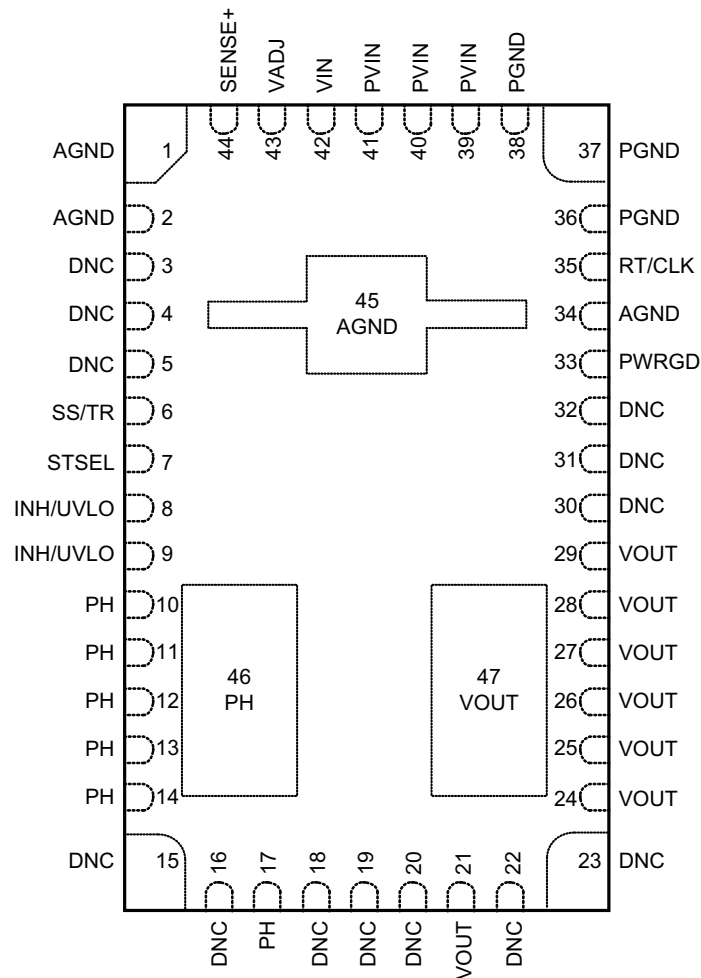
### Pin Functions

| TERMINAL |     | DESCRIPTION  |
|----------|-----|--|
| NAME     | NO. |  |
| AGND     | 1   | Zero VDC reference for the analog control circuitry. Connect AGND to PGND at a single point. Connect near the output capacitors.   |
|          | 2   |  |
|          | 34  |  |
|          | 45  |  |
| INH/UVLO | 8   | Inhibit and UVLO adjust pin. Use an open drain or open collector output logic to control the INH function. A resistor divider between this pin, AGND and VIN adjusts the UVLO voltage. Tie both pins together when using this control. |
|          | 9   |  |
| DNC      | 3   | Do not connect. These pins must remain isolated from one another. Do not connect these pins to AGND or to any voltage. These pins must be soldered to isolated pads.   |
|          | 4   |  |
|          | 5   |  |
|          | 15  |  |
|          | 16  |  |
|          | 18  |  |
|          | 19  |  |
|          | 20  |  |
|          | 22  |  |
|          | 23  |  |
|          | 30  |  |
| PGND     | 32  | Common ground connection for the PVIN, VIN, and VOUT power connections.  |
|          | 36  |  |
|          | 37  |  |
| PH       | 38  | Phase switch node. These pins should be connected by a small copper island under the device for thermal relief. Do not place any external component on this pin or tie it to a pin of another function.                                |
|          | 10  |  |
|          | 11  |  |
|          | 12  |  |
|          | 13  |  |
|          | 14  |  |
|          | 17  |  |
| PWRGD    | 46  | Power good fault pin. Asserts low if the output voltage is low. A pull-up resistor is required.  |
|          | 33  |  |
| PVIN     | 39  | Input switching voltage. this pin supplies voltage the power switches of the converter.  |
|          | 40  |  |
|          | 41  |  |
| RT/CLK   | 35  | This pin automatically selects between RT mode and CLK mode. An external timing resistor adjusts the switching frequency of the device. In CLK mode, the device synchronizes to an external clock.                                     |
| SENSE+   | 44  | Remote sense connection. Connect this pin to VOUT at the load for improved regulation. This pin must be connected to VOUT at the load, or at the device pins.  |
| SS/TR    | 6   | Slow-start and tracking pin. Connecting an external capacitor to this pin adjusts the output voltage rise time. A voltage applied to this pin allows for tracking and sequencing control.  |
| STSEL    | 7   | Slow-start or track feature select. Connect this pin to AGND to enable the internal SS capacitor with a SS interval of approximately 1.1 ms. Leave this pin open to enable the TR feature.   |
| VADJ     | 43  | Connecting a resistor between this pin and AGND sets the output voltage.   |
| VIN      | 42  | Input bias voltage pin. Supplies the control circuitry of the power converter.   |

**Pin Functions (continued)**

| TERMINAL |     | DESCRIPTION  |
|----------|-----|--|
| NAME     | NO. |  |
| VOUT     | 21  | Output voltage. Connect output capacitors between these pins and PGND. |
|          | 24  |  |
|          | 25  |  |
|          | 26  |  |
|          | 27  |  |
|          | 28  |  |
|          | 29  |  |
|          | 47  |  |

**RUQ PACKAGE  
47 PIN  
TOP VIEW**



## 5 Typical Characteristics (PVIN = VIN = 12 V)

The electrical characteristic data has been developed from actual products tested at 25°C. This data is considered typical for the converter. Applies to Figure 1, Figure 2, and Figure 3. The temperature derating curves represent the conditions at which internal components are at or below the manufacturer's maximum operating temperatures. Derating limits apply to devices soldered directly to a 100 mm × 100 mm double-sided PCB with 1 oz. copper. Applies to Figure 4.

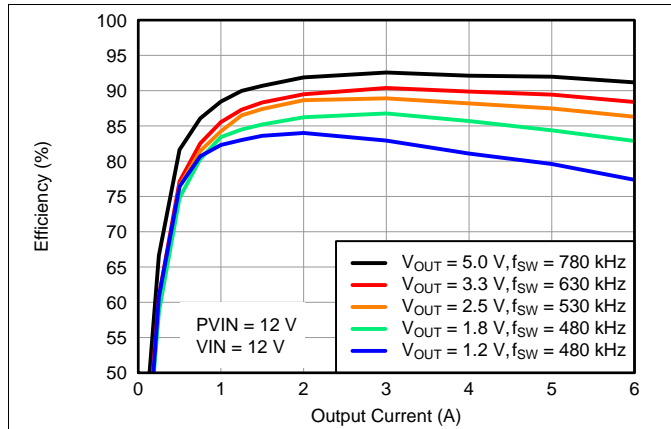


Figure 1. Efficiency vs. Output Current

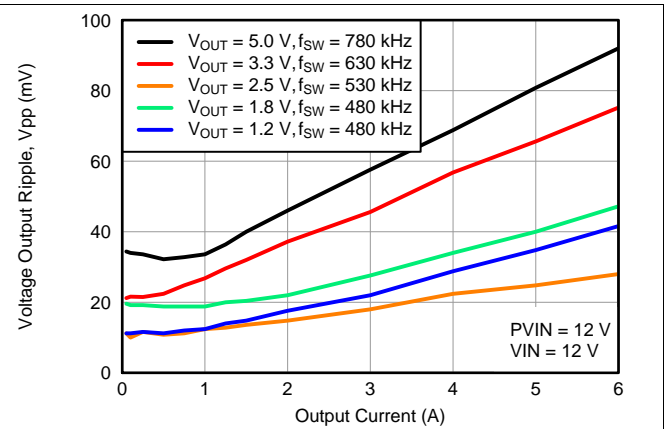


Figure 2. Voltage Ripple vs. Output Current

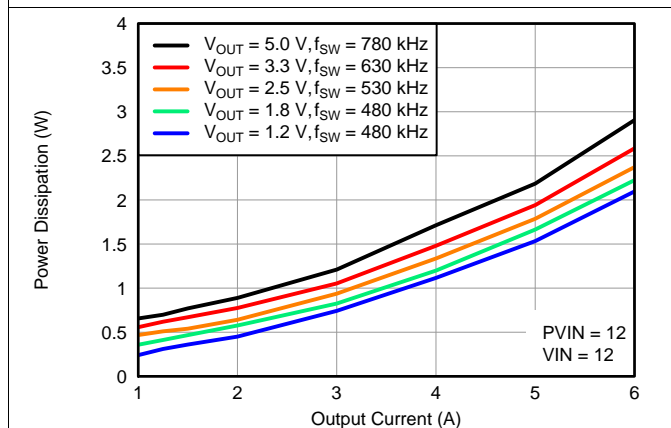


Figure 3. Power Dissipation vs. Output Current

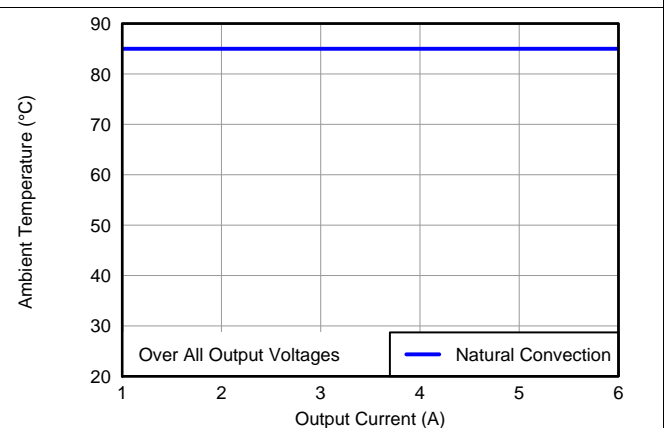


Figure 4. Safe Operating Area

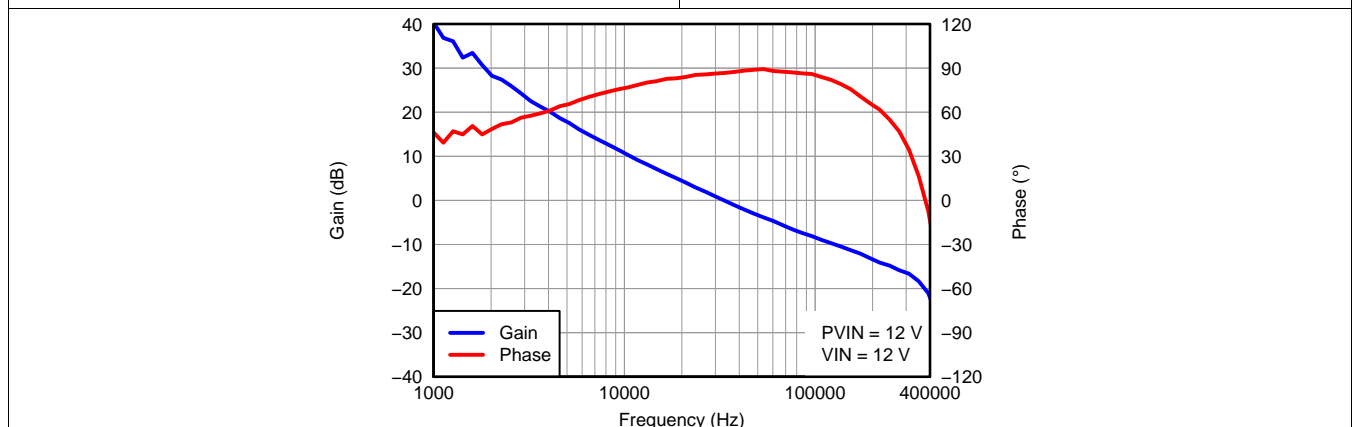
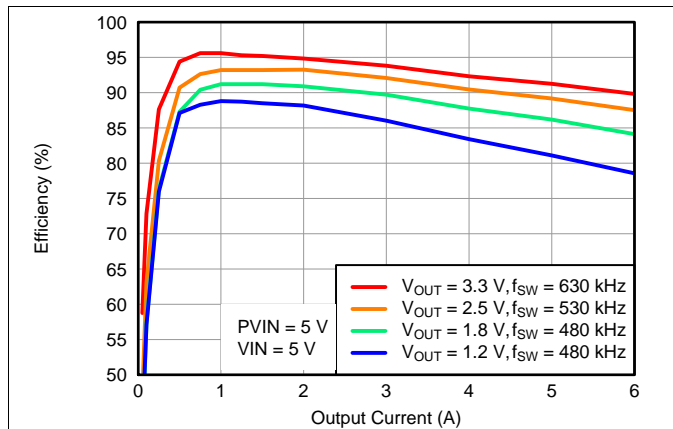


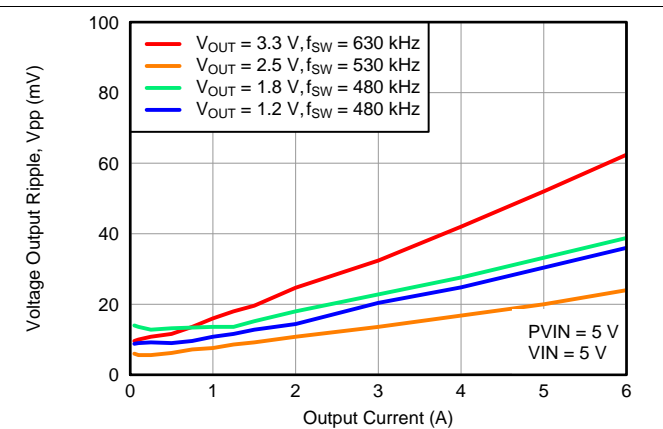
Figure 5.  $V_{OUT}=1.2\text{ V}$ ,  $I_{OUT}=3\text{ A}$ ,  $C_{OUT1}=47\text{ }\mu\text{F}$  ceramic,  $C_{OUT2}=330\text{ }\mu\text{F}$  POSCAP,  $f_{SW}=480\text{ kHz}$

## 6 Typical Characteristics (PVIN = VIN = 5 V)

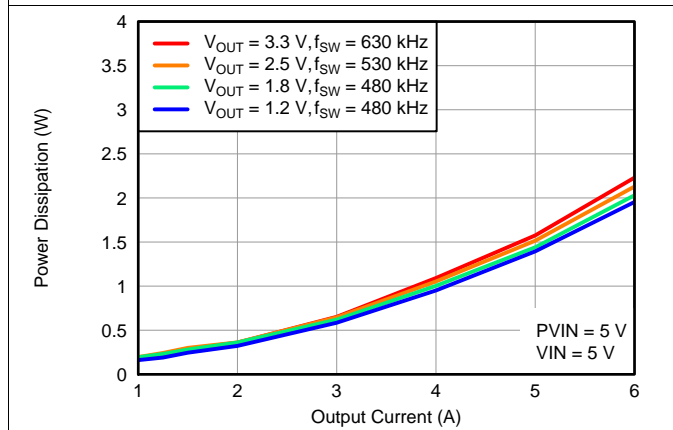
The electrical characteristic data has been developed from actual products tested at 25°C. This data is considered typical for the converter. Applies to Figure 6, Figure 7, and Figure 8. The temperature derating curves represent the conditions at which internal components are at or below the manufacturer's maximum operating temperatures. Derating limits apply to devices soldered directly to a 100 mm × 100 mm double-sided PCB with 1 oz. copper. Applies to Figure 9.



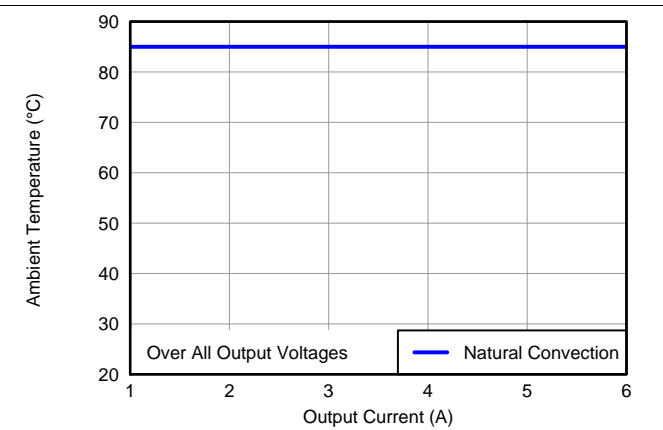
**Figure 6. Efficiency vs. Output Current**



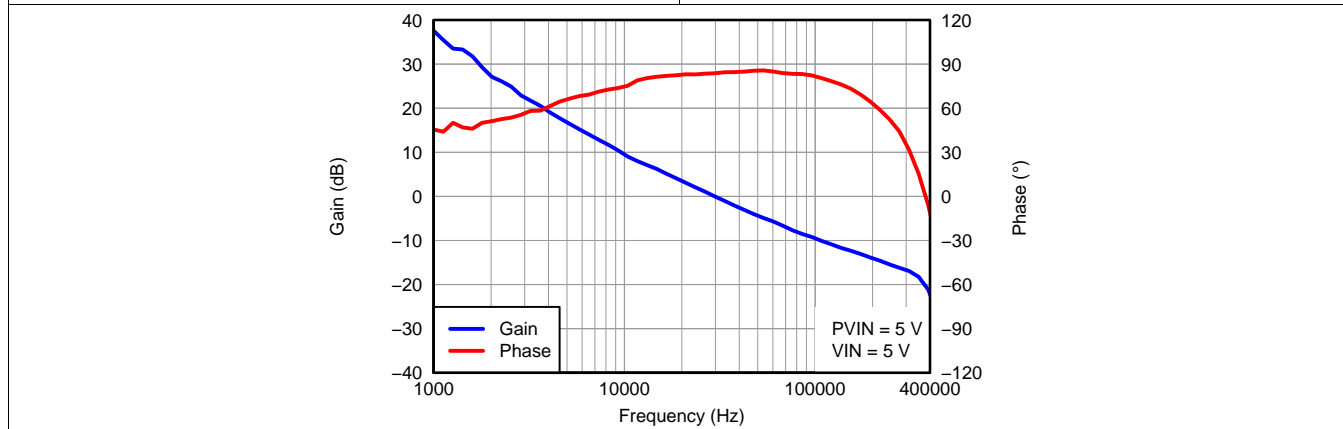
**Figure 7. Voltage Ripple vs. Output Current**



**Figure 8. Power Dissipation vs. Output Current**



**Figure 9. Safe Operating Area**



**Figure 10. V<sub>OUT</sub>=1.2 V, I<sub>OUT</sub>=3 A, C<sub>OUT1</sub>=47 μF ceramic, C<sub>OUT2</sub>= 330 μF POSCAP, f<sub>SW</sub>=480 kHz**

## 7 Typical Characteristics (PVIN = 12 V, VIN = 5 V)

The electrical characteristic data has been developed from actual products tested at 25°C. This data is considered typical for the converter. Applies to Figure 11, Figure 12, and Figure 13. The temperature derating curves represent the conditions at which internal components are at or below the manufacturer's maximum operating temperatures. Derating limits apply to devices soldered directly to a 100 mm x 100 mm double-sided PCB with 1 oz. copper. Applies to Figure 14 and Figure 15.

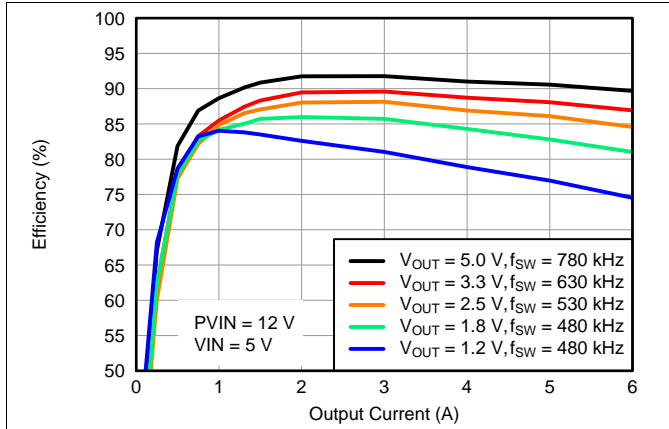


Figure 11. Efficiency vs. Output Current

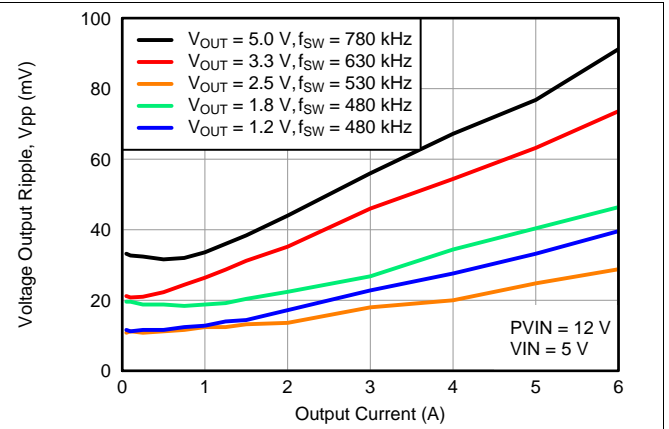


Figure 12. Voltage Ripple vs. Output Current

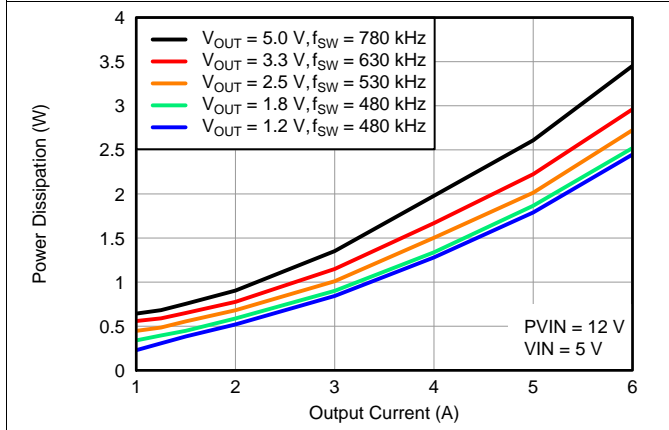


Figure 13. Power Dissipation vs. Output Current

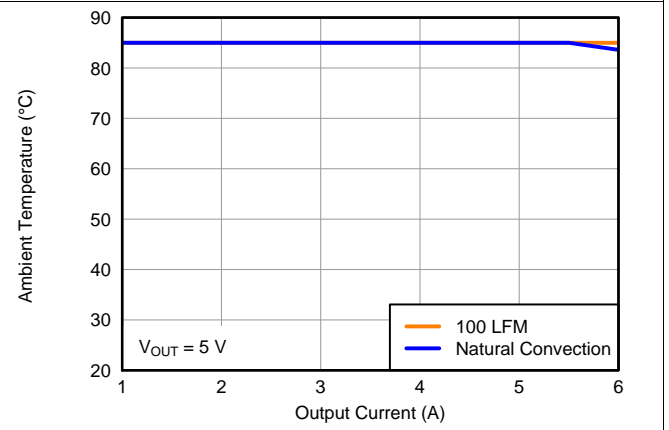


Figure 14. Safe Operating Area

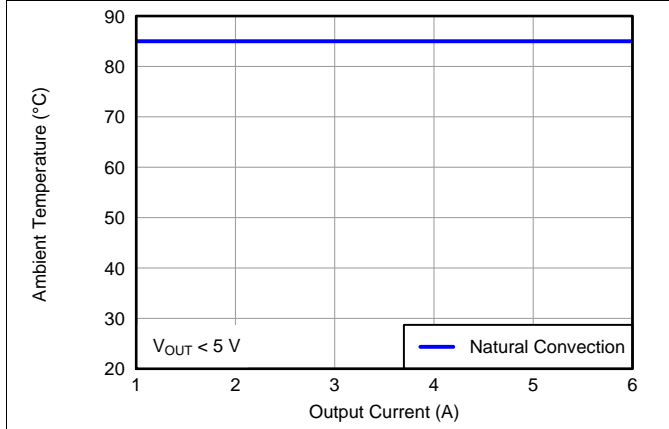


Figure 15. Safe Operating Area

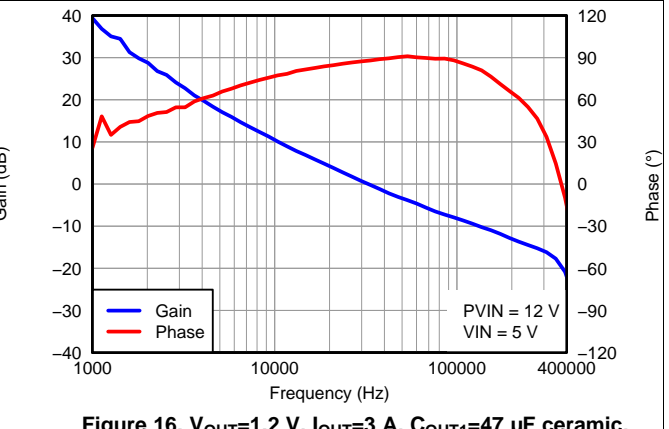


Figure 16.  $V_{OUT}=1.2\text{ V}$ ,  $I_{OUT}=3\text{ A}$ ,  $C_{OUT1}=47\text{ }\mu\text{F}$  ceramic,  $C_{OUT2}=330\text{ }\mu\text{F}$  POSCAP,  $f_{SW}=480\text{ kHz}$

## 8 Application Information

### 8.1 Adjusting the Output Voltage

The VADJ control sets the output voltage of the LMZ31506H. The output voltage adjustment range is from 1.2V to 5.5V. The adjustment method requires the addition of R<sub>SET</sub>, which sets the output voltage, the connection of SENSE+ to VOUT, and in some cases R<sub>RT</sub> which sets the switching frequency. The R<sub>SET</sub> resistor must be connected directly between the VADJ (pin 43) and AGND (pin 45). The SENSE+ pin (pin 44) must be connected to VOUT either at the load for improved regulation or at VOUT of the device. The R<sub>RT</sub> resistor must be connected directly between the RT/CLK (pin 35) and AGND (pin 34).

Table 1 gives the standard external R<sub>SET</sub> resistor for a number of common bus voltages, along with the required R<sub>RT</sub> resistor for that output voltage.

**Table 1. Standard R<sub>SET</sub> Resistor Values for Common Output Voltages**

| RESISTORS             | OUTPUT VOLTAGE V <sub>OUT</sub> (V) |      |      |       |       |       |
|-----------------------|-------------------------------------|------|------|-------|-------|-------|
|                       | 1.2                                 | 1.5  | 1.8  | 2.5   | 3.3   | 5.0   |
| R <sub>SET</sub> (kΩ) | 2.87                                | 1.62 | 1.13 | 0.665 | 0.453 | 0.267 |
| R <sub>RT</sub> (kΩ)  | open                                | open | open | 1000  | 332   | 165   |

For other output voltages, the value of the required resistor can either be calculated using the following formula, or simply selected from the range of values given in Table 2.

$$R_{SET} = \frac{1.43}{\left(\left(\frac{V_{OUT}}{0.8}\right) - 1\right)} \text{ (k}\Omega\text{)} \quad (1)$$

**Table 2. Standard R<sub>SET</sub> Resistor Values**

| V <sub>OUT</sub> (V) | R <sub>SET</sub> (kΩ) | R <sub>RT</sub> (kΩ) | f <sub>sw</sub> (kHz) | V <sub>OUT</sub> (V) | R <sub>SET</sub> (kΩ) | R <sub>RT</sub> (kΩ) | f <sub>sw</sub> (kHz) |
|----------------------|-----------------------|----------------------|-----------------------|----------------------|-----------------------|----------------------|-----------------------|
| 1.2                  | 2.87                  | open                 | 480                   | 3.4                  | 0.442                 | 332                  | 630                   |
| 1.3                  | 2.26                  | open                 | 480                   | 3.5                  | 0.422                 | 332                  | 630                   |
| 1.4                  | 1.91                  | open                 | 480                   | 3.6                  | 0.402                 | 332                  | 630                   |
| 1.5                  | 1.62                  | open                 | 480                   | 3.7                  | 0.392                 | 332                  | 630                   |
| 1.6                  | 1.43                  | open                 | 480                   | 3.8                  | 0.374                 | 249                  | 680                   |
| 1.7                  | 1.27                  | open                 | 480                   | 3.9                  | 0.365                 | 249                  | 680                   |
| 1.8                  | 1.13                  | open                 | 480                   | 4.0                  | 0.357                 | 249                  | 680                   |
| 1.9                  | 1.02                  | open                 | 480                   | 4.1                  | 0.348                 | 249                  | 680                   |
| 2.0                  | 0.953                 | open                 | 480                   | 4.2                  | 0.332                 | 196                  | 730                   |
| 2.1                  | 0.866                 | open                 | 480                   | 4.3                  | 0.324                 | 196                  | 730                   |
| 2.2                  | 0.806                 | open                 | 480                   | 4.4                  | 0.316                 | 196                  | 730                   |
| 2.3                  | 0.750                 | open                 | 480                   | 4.5                  | 0.309                 | 196                  | 730                   |
| 2.4                  | 0.715                 | open                 | 480                   | 4.6                  | 0.301                 | 196                  | 730                   |
| 2.5                  | 0.665                 | 1000                 | 530                   | 4.7                  | 0.294                 | 196                  | 730                   |
| 2.6                  | 0.634                 | 1000                 | 530                   | 4.8                  | 0.287                 | 165                  | 780                   |
| 2.7                  | 0.604                 | 1000                 | 530                   | 4.9                  | 0.280                 | 165                  | 780                   |
| 2.8                  | 0.562                 | 1000                 | 530                   | 5.0                  | 0.267                 | 165                  | 780                   |
| 2.9                  | 0.536                 | 1000                 | 530                   | 5.1                  | 0.267                 | 165                  | 780                   |
| 3.0                  | 0.511                 | 499                  | 580                   | 5.2                  | 0.261                 | 165                  | 780                   |
| 3.1                  | 0.499                 | 499                  | 580                   | 5.3                  | 0.255                 | 165                  | 780                   |
| 3.2                  | 0.475                 | 499                  | 580                   | 5.4                  | 0.249                 | 165                  | 780                   |
| 3.3                  | 0.453                 | 332                  | 630                   | 5.5                  | 0.243                 | 165                  | 780                   |

## 8.2 Capacitor Recommendations for the LMZ31506H Power Supply

### 8.2.1 Capacitor Technologies

#### 8.2.1.1 Electrolytic, Polymer-Electrolytic Capacitors

When using electrolytic capacitors, high-quality, computer-grade electrolytic capacitors are recommended. Polymer-electrolytic type capacitors are recommended for applications where the ambient operating temperature is less than 0°C. The Sanyo OS-CON capacitor series is suggested due to the lower ESR, higher rated surge, power dissipation, ripple current capability, and small package size. Aluminum electrolytic capacitors provide adequate decoupling over the frequency range of 2 kHz to 150 kHz, and are suitable when ambient temperatures are above 0°C.

#### 8.2.1.2 Ceramic Capacitors

The performance of aluminum electrolytic capacitors is less effective than ceramic capacitors above 150 kHz. Multilayer ceramic capacitors have a low ESR and a resonant frequency higher than the bandwidth of the regulator. They can be used to reduce the reflected ripple current at the input as well as improve the transient response of the output.

#### 8.2.1.3 Tantalum, Polymer-Tantalum Capacitors

Polymer-tantalum type capacitors are recommended for applications where the ambient operating temperature is less than 0°C. The Sanyo POSCAP series and Kemet T530 capacitor series are recommended rather than many other tantalum types due to their lower ESR, higher rated surge, power dissipation, ripple current capability, and small package size. Tantalum capacitors that have no stated ESR or surge current rating are not recommended for power applications.

### 8.2.2 Input Capacitor

The LMZ31506H requires a minimum input capacitance of 100  $\mu\text{F}$  of ceramic and/or polymer-tantalum capacitors. The ripple current rating of the capacitor must be at least 450 mArms. [Table 5](#) includes a preferred list of capacitors by vendor.

### 8.2.3 Output Capacitor

The required output capacitance is determined by the output voltage of the LMZ31506H. See [Table 3](#) for the amount of required capacitance. The required output capacitance can be comprised of either all ceramic capacitors, or a combination of ceramic and bulk capacitors. The required output capacitance must include at least 1x 47  $\mu\text{F}$  ceramic capacitor. When adding additional non-ceramic bulk capacitors, low-ESR devices like the ones recommended in [Table 5](#) are required. The required capacitance above the minimum is determined by actual transient deviation requirements. See [Table 4](#) for typical transient response values for several output voltage, input voltage and capacitance combinations. [Table 5](#) includes a preferred list of capacitors by vendor.

**Table 3. Required Output Capacitance**

| V <sub>OUT</sub> RANGE (V) |       | MINIMUM REQUIRED C <sub>OUT</sub> ( $\mu\text{F}$ ) |
|----------------------------|-------|---|
| MIN                        | MAX   |   |
| 1.2                        | < 3.0 | 200 <sup>(1)</sup>                                  |
| 3.0                        | < 4.0 | 100 <sup>(1)</sup>                                  |
| 4.0                        | 5.5   | 47 $\mu\text{F}$ ceramic                            |

(1) Minimum required must include at least one 47  $\mu\text{F}$  ceramic capacitor.

**Table 4. Output Voltage Transient Response**

| <b>C<sub>IN1</sub> = 2 x 22 µF CERAMIC, C<sub>IN2</sub> = 68 µF POSCAP, LOAD STEP = 3 A, 1 A/µs</b> |                            |                                 |                              |                               |                       |                           |
|---|----------------------------|---------------------------------|------------------------------|-------------------------------|-----------------------|---------------------------|
| <b>V<sub>OUT</sub> (V)</b>  | <b>PV<sub>IN</sub> (V)</b> | <b>C<sub>OUT1</sub> Ceramic</b> | <b>C<sub>OUT2</sub> BULK</b> | <b>VOLTAGE DEVIATION (mV)</b> | <b>PEAK-PEAK (mV)</b> | <b>RECOVERY TIME (µs)</b> |
| 1.2   | 3.3                        | 4x 47 µF                        | None                         | 73                            | 137                   | 70                        |
|   |                            | 1x 47 µF                        | 330 µF                       | 50                            | 90                    | 75                        |
|   | 5                          | 4x 47 µF                        | None                         | 63                            | 117                   | 70                        |
|   |                            | 1x 47 µF                        | 330 µF                       | 45                            | 85                    | 75                        |
|   | 12                         | 4x 47 µF                        | None                         | 45                            | 109                   | 70                        |
|   |                            | 1x 47 µF                        | 330 µF                       | 35                            | 70                    | 75                        |
| 1.5   | 3.3                        | 4x 47 µF                        | None                         | 80                            | 160                   | 80                        |
|   |                            | 1x 47 µF                        | 220 µF                       | 65                            | 130                   | 70                        |
|   | 5                          | 4x 47 µF                        | None                         | 60                            | 115                   | 80                        |
|   |                            | 1x 47 µF                        | 220 µF                       | 60                            | 120                   | 70                        |
|   | 12                         | 4x 47 µF                        | None                         | 45                            | 98                    | 80                        |
|   |                            | 1x 47 µF                        | 220 µF                       | 50                            | 100                   | 70                        |
| 1.8   | 3.3                        | 4x 47 µF                        | None                         | 90                            | 180                   | 80                        |
|   |                            | 1x 47 µF                        | 220 µF                       | 72                            | 142                   | 110                       |
|   | 5                          | 4x 47 µF                        | None                         | 80                            | 160                   | 80                        |
|   |                            | 1x 47 µF                        | 220 µF                       | 67                            | 132                   | 110                       |
|   | 12                         | 4x 47 µF                        | None                         | 60                            | 120                   | 80                        |
|   |                            | 1x 47 µF                        | 220 µF                       | 60                            | 119                   | 110                       |
| 2.5   | 3.3                        | 4x 47 µF                        | None                         | 108                           | 214                   | 75                        |
|   |                            | 1x 47 µF                        | 100 µF                       | 93                            | 186                   | 110                       |
|   | 5                          | 4x 47 µF                        | None                         | 100                           | 200                   | 75                        |
|   |                            | 1x 47 µF                        | 100 µF                       | 92                            | 180                   | 110                       |
|   | 12                         | 4x 47 µF                        | None                         | 88                            | 174                   | 75                        |
|   |                            | 1x 47 µF                        | 100 µF                       | 80                            | 157                   | 110                       |
| 3.3   | 5                          | 2x 47 µF                        | None                         | 160                           | 320                   | 100                       |
|   |                            | 1x 47 µF                        | 100 µF                       | 110                           | 220                   | 100                       |
|   | 12                         | 2x 47 µF                        | None                         | 140                           | 280                   | 100                       |
|   |                            | 1x 47 µF                        | 100 µF                       | 100                           | 200                   | 100                       |
| 5.0   | 5                          | 1x 47 µF                        | None                         | 200                           | 400                   | 100                       |
|   |                            | 1x 47 µF                        | 100 µF                       | 150                           | 300                   | 130                       |
|   | 12                         | 1x 47 µF                        | None                         | 180                           | 360                   | 100                       |
|   |                            | 1x 47 µF                        | 100 µF                       | 150                           | 300                   | 130                       |

**Table 5. Recommended Input/Output Capacitors<sup>(1)</sup>**

| VENDOR | SERIES | PART NUMBER        | CAPACITOR CHARACTERISTICS |                  |                         |
|--------|--------|--------------------|---------------------------|------------------|-------------------------|
|        |        |                    | WORKING VOLTAGE (V)       | CAPACITANCE (μF) | ESR <sup>(2)</sup> (mΩ) |
| Murata | X5R    | GRM32ER61E226K     | 16                        | 22               | 2                       |
| TDK    | X5R    | C3225X5R0J476K     | 6.3                       | 47               | 2                       |
| Murata | X5R    | GRM32ER60J476M     | 6.3                       | 47               | 2                       |
| Sanyo  | POSCAP | 16TQC68M           | 16                        | 68               | 50                      |
| Kemet  | T520   | T520V107M010ASE025 | 10                        | 100              | 25                      |
| Sanyo  | POSCAP | 6TPE100MI          | 6.3                       | 100              | 25                      |
| Sanyo  | POSCAP | 2R5TPE220M7        | 2.5                       | 220              | 7                       |
| Kemet  | T530   | T530D227M006ATE006 | 6.3                       | 220              | 6                       |
| Kemet  | T530   | T530D337M006ATE010 | 6.3                       | 330              | 10                      |
| Sanyo  | POSCAP | 2TPF330M6          | 2.0                       | 330              | 6                       |
| Sanyo  | POSCAP | 6TPE330MFL         | 6.3                       | 330              | 15                      |

**(1) Capacitor Supplier Verification**

Please verify availability of capacitors identified in this table.

**RoHS, Lead-free and Material Details**

Please consult capacitor suppliers regarding material composition, RoHS status, lead-free status, and manufacturing process requirements.

**(2) Maximum ESR @ 100kHz, 25°C.**

### 8.3 Transient Response

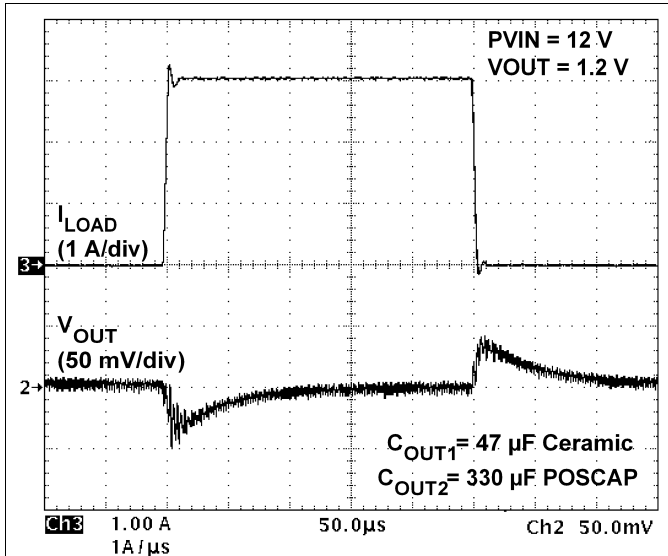


Figure 17. PVIN = 12V, VOUT = 1.2V, 3A Load Step

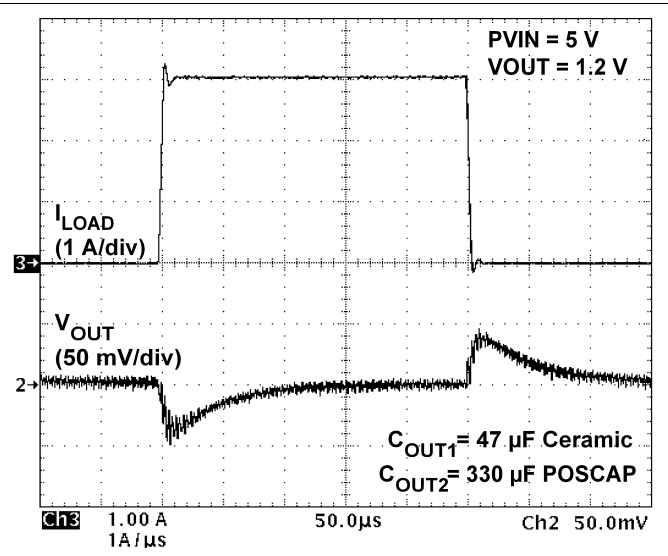


Figure 18. PVIN = 5V, VOUT = 1.2V, 3A Load Step

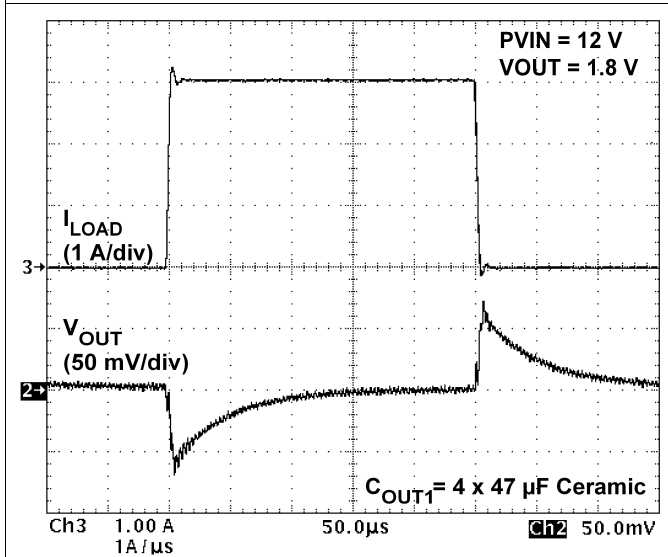


Figure 19. PVIN = 12V, VOUT = 1.8V, 3A Load Step

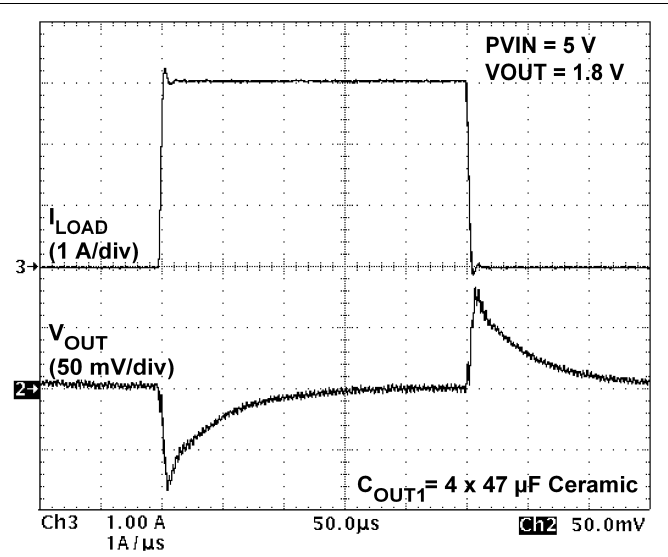
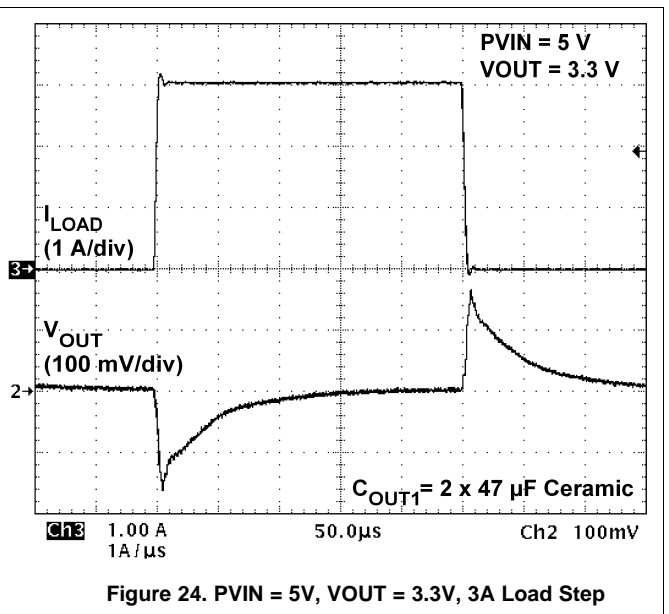
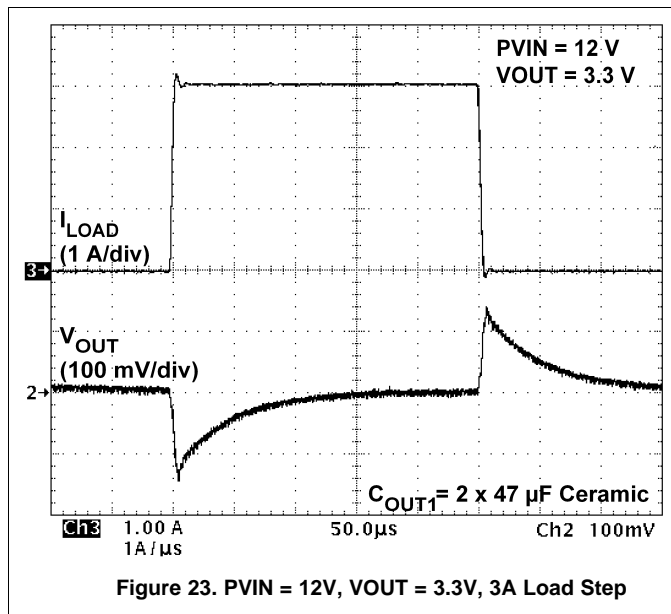
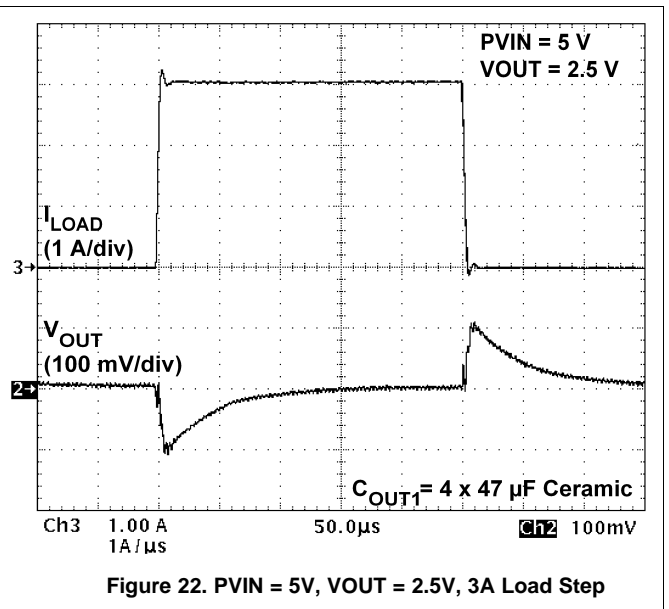
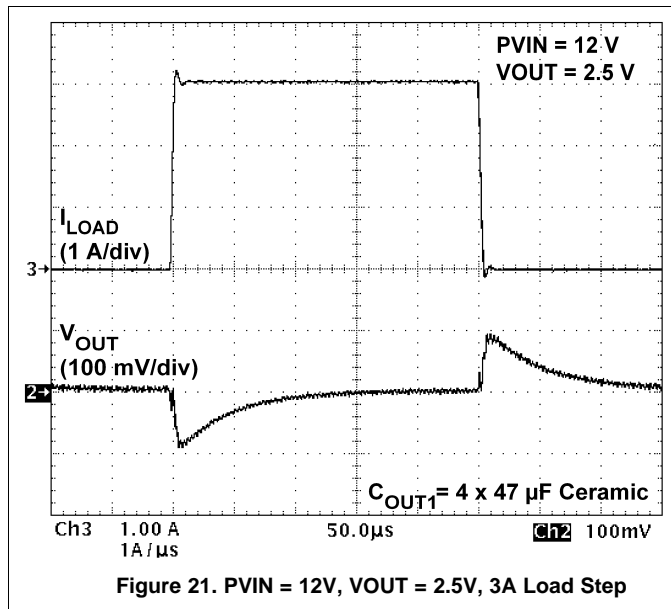
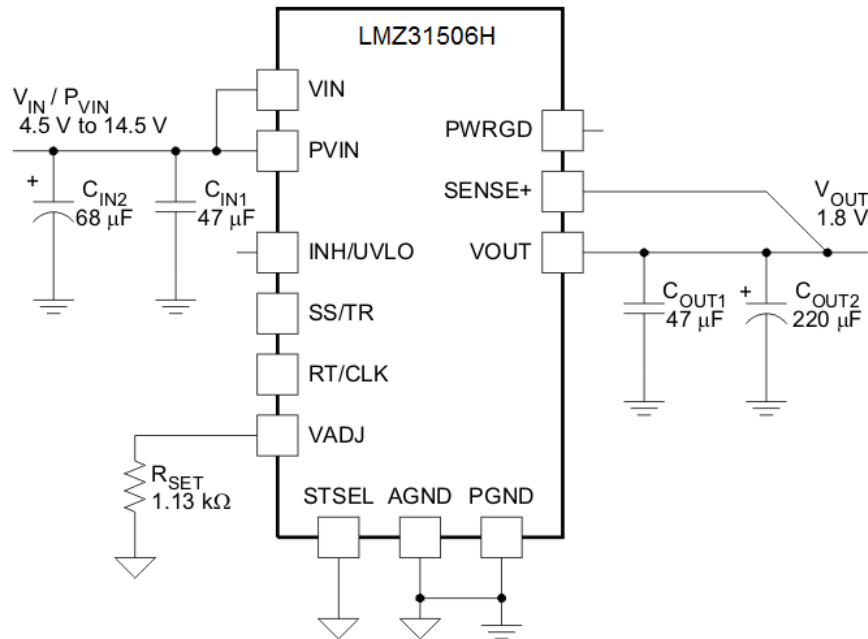


Figure 20. PVIN = 5V, VOUT = 1.8V, 3A Load Step

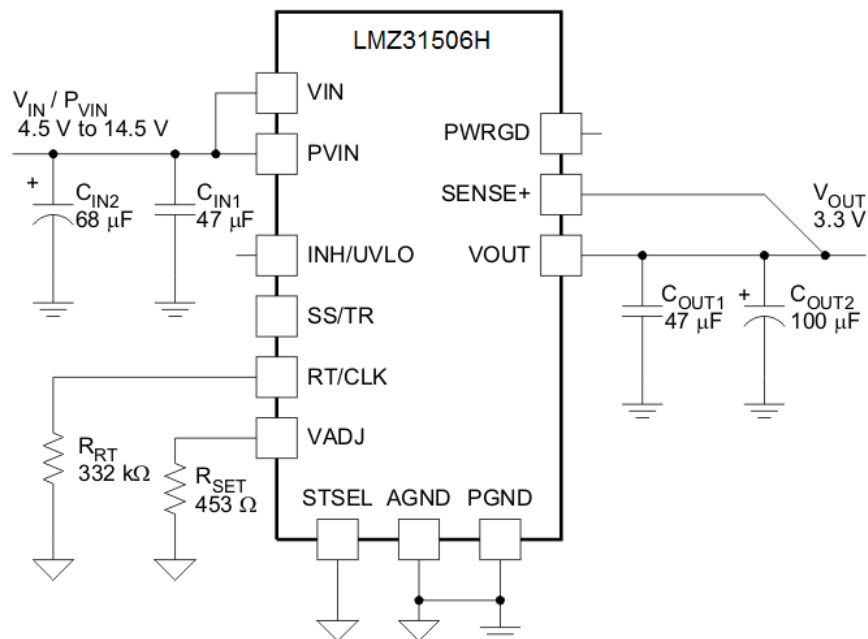
Transient Response (continued)



## 8.4 Application Schematics



**Figure 25. Typical Schematic**  
**PVIN = VIN = 4.5 V to 14.5 V, VOUT = 1.8 V**



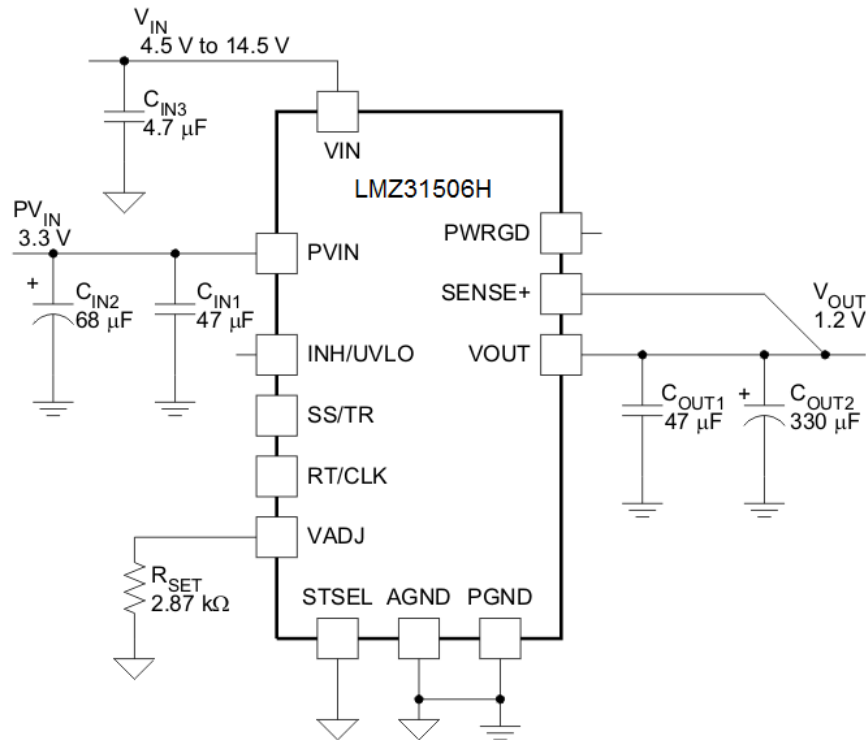
**Figure 26. Typical Schematic**  
**PVIN = VIN = 4.5 V to 14.5 V, VOUT = 3.3 V**

LMZ31506H

SNVS996B –JULY 2013–REVISED APRIL 2018

www.ti.com

Application Schematics (continued)



**Figure 27. Typical Schematic**  
**PVIN = 3.3 V, VIN = 4.5 V to 14.5 V, VOUT = 1.2 V**

## 8.5 Custom Design With WEBENCH® Tools

[Click here](#) to create a custom design using the LMZ31506H device with the WEBENCH® Power Designer.

1. Start by entering the input voltage ( $V_{IN}$ ), output voltage ( $V_{OUT}$ ), and output current ( $I_{OUT}$ ) requirements.
2. Optimize the design for key parameters such as efficiency, footprint, and cost using the optimizer dial.
3. Compare the generated design with other possible solutions from Texas Instruments.

The WEBENCH Power Designer provides a customized schematic along with a list of materials with real-time pricing and component availability.

In most cases, these actions are available:

- Run electrical simulations to see important waveforms and circuit performance
- Run thermal simulations to understand board thermal performance
- Export customized schematic and layout into popular CAD formats
- Print PDF reports for the design, and share the design with colleagues

Get more information about WEBENCH tools at [www.ti.com/WEBENCH](http://www.ti.com/WEBENCH).

## 8.6 VIN and PVIN Input Voltage

The LMZ31506H allows for a variety of applications by using the VIN and PVIN pins together or separately. The VIN voltage supplies the internal control circuits of the device. The PVIN voltage provides the input voltage to the power converter system.

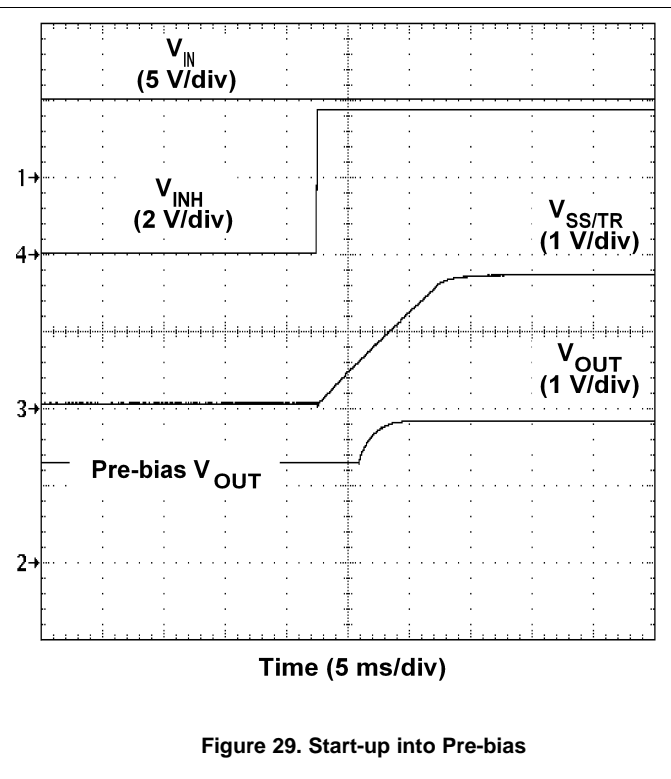
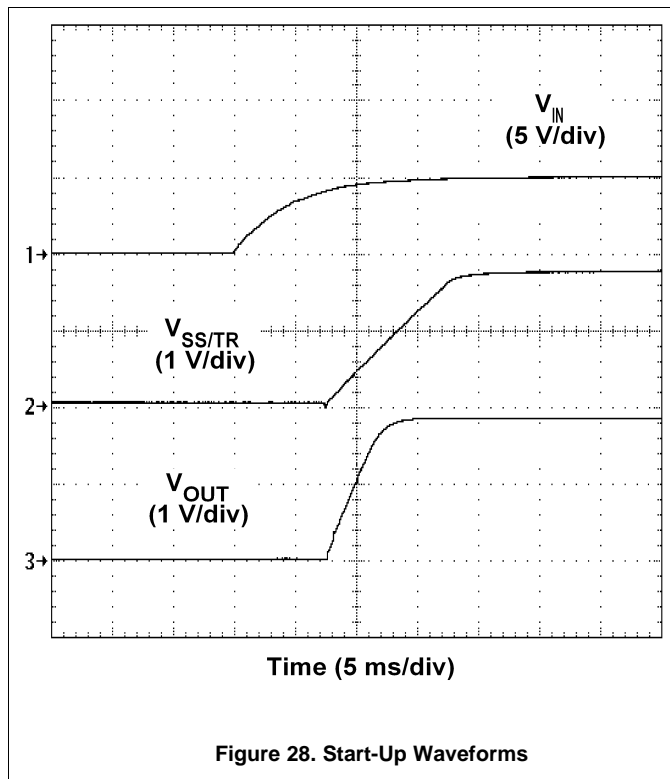
If tied together, the input voltage for the VIN pin and the PVIN pin can range from 4.5 V to 14.5 V. If using the VIN pin separately from the PVIN pin, the VIN pin must be between 4.5 V and 14.5 V, and the PVIN pin can range from as low as 1.7 V to 14.5 V. A voltage divider connected to the INH/UVLO pin can adjust the either input voltage UVLO appropriately. See the [Programmable Undervoltage Lockout \(UVLO\)](#) section of this datasheet for more information.

## 8.7 Power Good (PWRGD)

The PWRGD pin is an open drain output. Once the voltage on the SENSE+ pin is between 94% and 106% of the set voltage, the PWRGD pin pull-down is released and the pin floats. The recommended pull-up resistor value is between 10 k $\Omega$  and 100 k $\Omega$  to a voltage source that is 5.5 V or less. The PWRGD pin is in a defined state once VIN is greater than 1.0 V, but with reduced current sinking capability. The PWRGD pin achieves full current sinking capability once the VIN pin is above 4.5V. The PWRGD pin is pulled low when the voltage on SENSE+ is lower than 91% or greater than 109% of the nominal set voltage. Also, the PWRGD pin is pulled low if the input UVLO or thermal shutdown is asserted, the INH pin is pulled low, or the SS/TR pin is below 1.4 V.

## 8.8 Power-Up Characteristics

When configured as shown in the front page schematic, the LMZ31506H produces a regulated output voltage following the application of a valid input voltage. During the power-up, internal soft-start circuitry slows the rate that the output voltage rises, thereby limiting the amount of in-rush current that can be drawn from the input source. The soft-start circuitry introduces a short time delay from the point that a valid input voltage is recognized. [Figure 28](#) shows the start-up waveforms for a LMZ31506H, operating from a 5-V input ( $P_{VIN}=V_{IN}$ ) and with the output voltage adjusted to 1.8 V. [Figure 29](#) shows the start-up waveforms for a LMZ31506H starting up into a pre-biased output voltage. The waveforms were measured with a 3-A constant current load.



## 8.9 Pre-Biased Start-Up

The LMZ31506H has been designed to prevent discharging a pre-biased output. During monotonic pre-biased startup, the LMZ31506H does not allow current to sink until the SS/TR pin voltage is higher than 1.4 V.

## 8.10 Remote Sense

The SENSE+ pin must be connected to  $V_{OUT}$  at the load, or at the device pins.

Connecting the SENSE+ pin to  $V_{OUT}$  at the load improves the load regulation performance of the device by allowing it to compensate for any I-R voltage drop between its output pins and the load. An I-R drop is caused by the high output current flowing through the small amount of pin and trace resistance. This should be limited to a maximum of 300 mV.

### NOTE

The remote sense feature is not designed to compensate for the forward drop of nonlinear or frequency dependent components that may be placed in series with the converter output. Examples include OR-ing diodes, filter inductors, ferrite beads, and fuses. When these components are enclosed by the SENSE+ connection, they are effectively placed inside the regulation control loop, which can adversely affect the stability of the regulator.

### 8.11 Output On/Off Inhibit (INH)

The INH pin provides electrical on/off control of the device. Once the INH pin voltage exceeds the threshold voltage, the device starts operation. If the INH pin voltage is pulled below the threshold voltage, the regulator stops switching and enters low quiescent current state.

The INH pin has an internal pull-up current source, allowing the user to float the INH pin for enabling the device. If an application requires controlling the INH pin, use an open drain/collector device, or a suitable logic gate to interface with the pin.

Figure 30 shows the typical application of the inhibit function. The Inhibit control has its own internal pull-up to VIN potential. An open-collector or open-drain device is recommended to control this input.

Turning Q1 on applies a low voltage to the inhibit control (INH) pin and disables the output of the supply, shown in Figure 31. If Q1 is turned off, the supply executes a soft-start power-up sequence, as shown in Figure 32. A regulated output voltage is produced within 10 ms. The waveforms were measured with a 3-A constant current load.

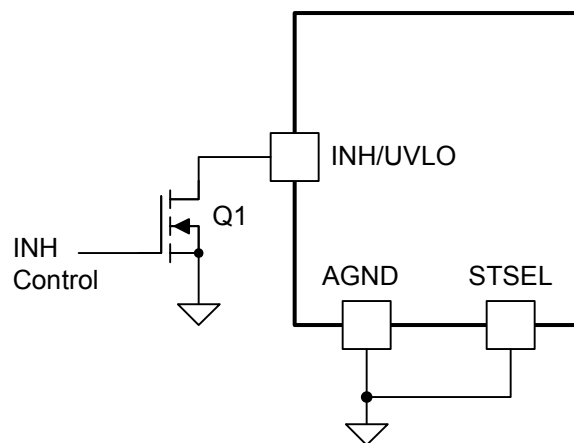
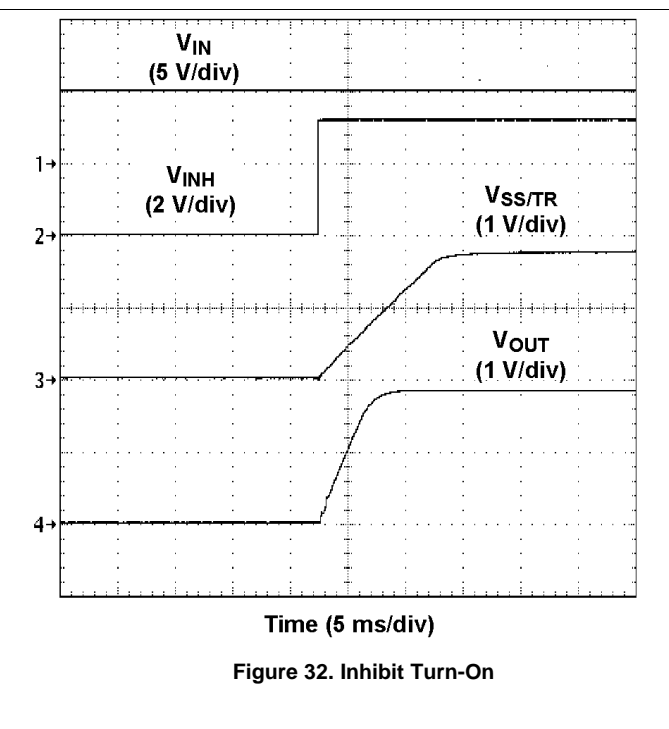
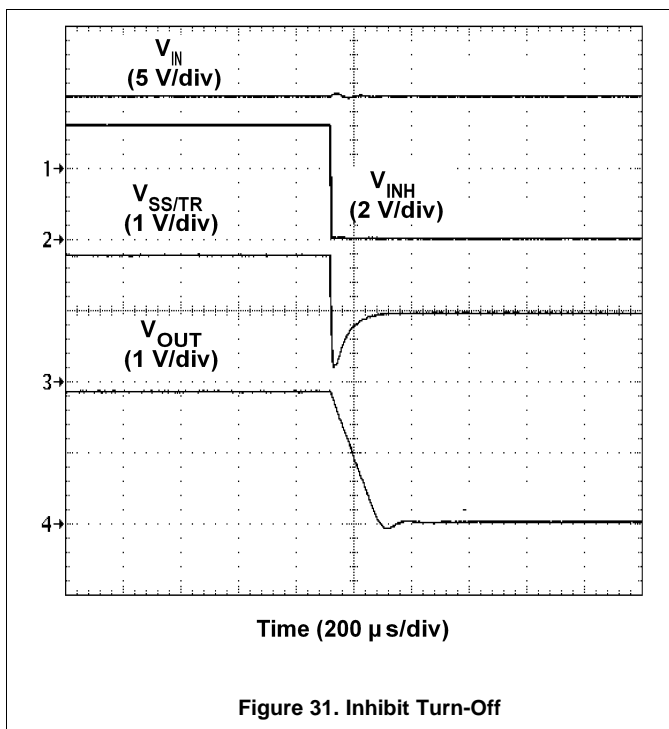


Figure 30. Typical Inhibit Control



### 8.12 Slow Start (SS/TR)

Connecting the STSEL pin to AGND and leaving SS/TR pin open enables the internal SS capacitor with a slow start interval of approximately 1.1 ms. Adding additional capacitance between the SS pin and AGND increases the slow start time. Table 6 shows an additional SS capacitor connected to the SS/TR pin and the STSEL pin connected to AGND. See Table 6 below for SS capacitor values and timing interval.

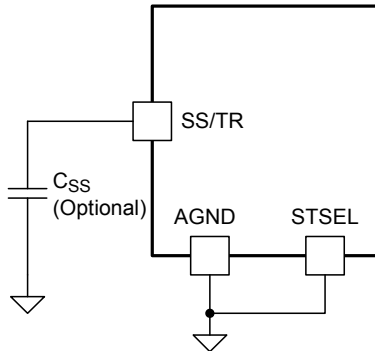


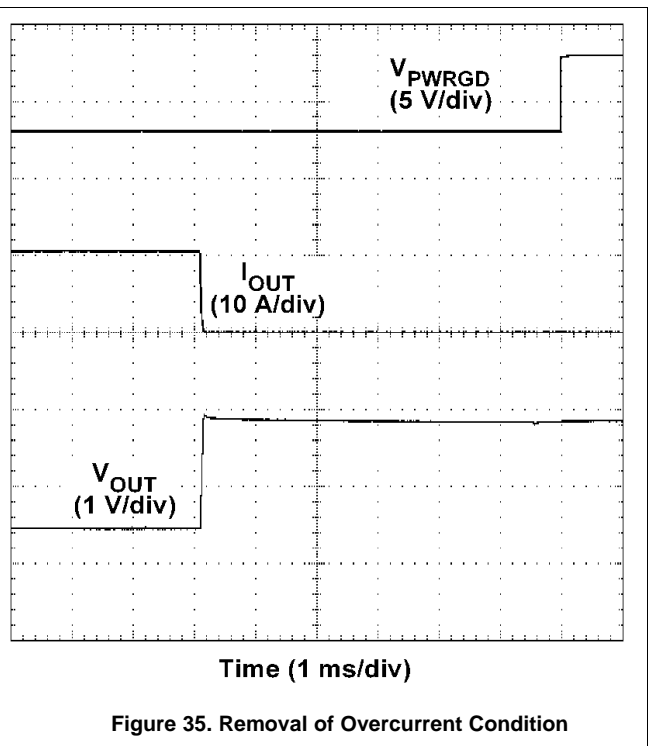
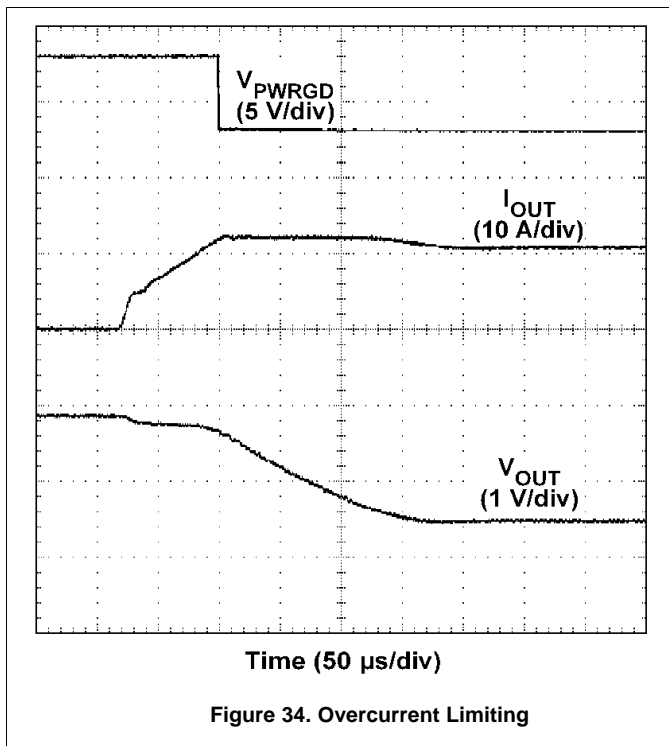
Figure 33. Slow-Start Capacitor (C<sub>SS</sub>) and STSEL Connection

Table 6. Slow-Start Capacitor Values and Slow-Start Time

| C <sub>SS</sub> (pF) | open | 2200 | 4700 | 10000 | 15000 | 22000 | 25000 |
|----------------------|------|------|------|-------|-------|-------|-------|
| SS Time (msec)       | 1.1  | 1.9  | 2.8  | 4.6   | 6.4   | 8.8   | 9.8   |

### 8.13 Overcurrent Protection

For protection against load faults, the LMZ31506H uses current limiting. The device is protected from overcurrent conditions by cycle-by-cycle current limiting. During an overcurrent condition the output current is limited and the output voltage is reduced, as shown in Figure 34. When the overcurrent condition is removed, the output voltage returns to the established voltage, as shown in Figure 35.



### 8.14 Synchronization (CLK)

An internal phase locked loop (PLL) has been implemented to allow synchronization between 480 kHz and 780 kHz, and to easily switch from RT mode to CLK mode. To implement the synchronization feature, connect a square wave clock signal to the RT/CLK pin with a duty cycle between 20% to 80%. The clock signal amplitude must transition lower than 0.8 V and higher than 2.0 V. The start of the switching cycle is synchronized to the falling edge of RT/CLK pin. In applications where both RT mode and CLK mode are needed, the device can be configured as shown in .

Before the external clock is present, the device works in RT mode and the switching frequency is set by RT resistor. When the external clock is present, the CLK mode overrides the RT mode. The first time the CLK pin is pulled above the RT/CLK high threshold (2.0 V), the device switches from RT mode to th CLK mode and the RT/CLK pin becomes high impedance as the PLL starts to lock onto the frequency of the external clock. It is not recommended to switch from CLK mode back to RT mode because the internal switching frequency drops to 100 kHz first before returning to the switching frequency set by the RT resistor ( $R_{RT}$ ).

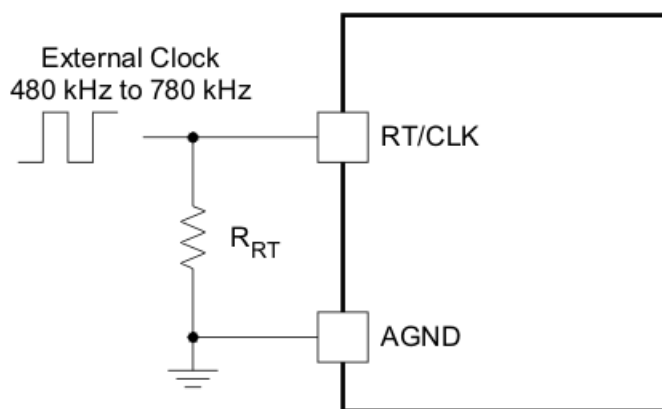


Figure 36. CLK/RT Configuration

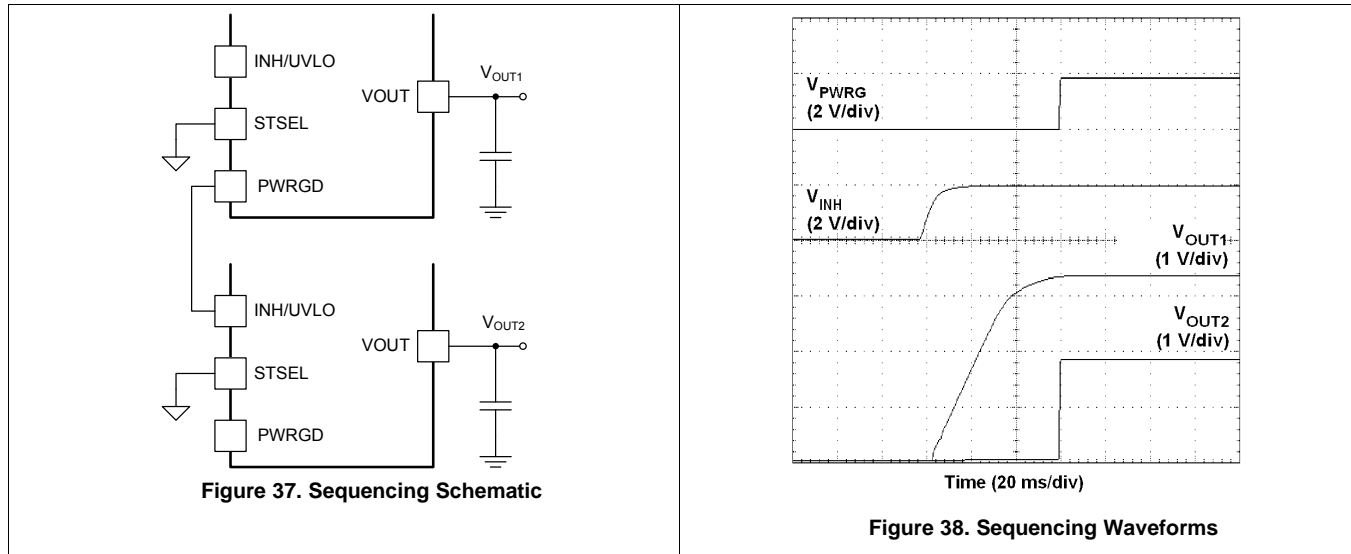
The synchronization frequency must be selected based on the output voltages of the devices being synchronized. Table 7 shows the allowable frequencies for a given range of output voltages. For the most efficient solution, always synchronize to the lowest allowable frequency. For example, an application requires synchronizing three LMZ31506H devices with output voltages of 1.2 V, 1.8 V and 2.5 V, all powered from  $P_{VIN} = 12 V$ . Table 7 shows that all three output voltages can be synchronized to either 530 kHz, 580 kHz, or 630 kHz. For best efficiency, choose 530 kHz as the synchronization frequency.

Table 7. Synchronization Frequency vs Output Voltage

| SYNCHRONIZATION<br>FREQUENCY (kHz) | $R_{RT}$ (k $\Omega$ ) | $P_{VIN} = 12 V$    |     | $P_{VIN} = 5 V$     |     |
|------------------------------------|------------------------|---------------------|-----|---------------------|-----|
|                                    |                        | $V_{OUT}$ RANGE (V) |     | $V_{OUT}$ RANGE (V) |     |
|                                    |                        | MIN                 | MAX | MIN                 | MAX |
| 480                                | OPEN                   | 1.2                 | 2.5 | 1.2                 | 4.5 |
| 530                                | 1000                   | 1.2                 | 2.9 |                     |     |
| 580                                | 499                    | 1.2                 | 3.2 |                     |     |
| 630                                | 332                    | 1.2                 | 3.7 |                     |     |
| 680                                | 249                    | 1.3                 | 4.1 |                     |     |
| 730                                | 196                    | 1.4                 | 4.7 |                     |     |
| 780                                | 165                    | 1.5                 | 5.5 |                     |     |

## 8.15 Sequencing (SS/TR)

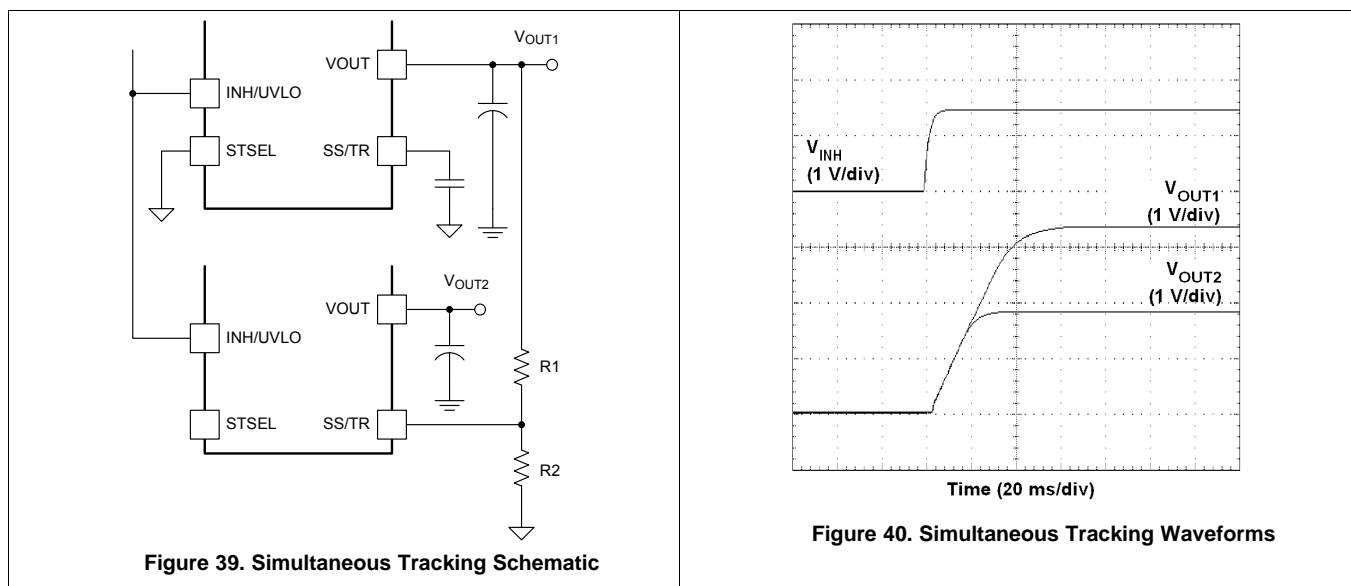
Many of the common power supply sequencing methods can be implemented using the SS/TR, INH and PWRGD pins. The sequential method is illustrated in [Figure 37](#) using two LMZ31506H devices. The PWRGD pin of the first device is coupled to the INH pin of the second device which enables the second power supply once the primary supply reaches regulation. [Figure 38](#) shows sequential turn-on waveforms of two LMZ31506H devices.



Simultaneous power supply sequencing can be implemented by connecting the resistor network of R1 and R2 shown in [Figure 39](#) to the output of the power supply that needs to be tracked or to another voltage reference source. [Figure 40](#) shows simultaneous turn-on waveforms of two LMZ31506H devices. Use [Equation 2](#) and [Equation 3](#) to calculate the values of R1 and R2.

$$R1 = \frac{(V_{OUT2} \times 12.6)}{0.8} \text{ (k}\Omega\text{)} \quad (2)$$

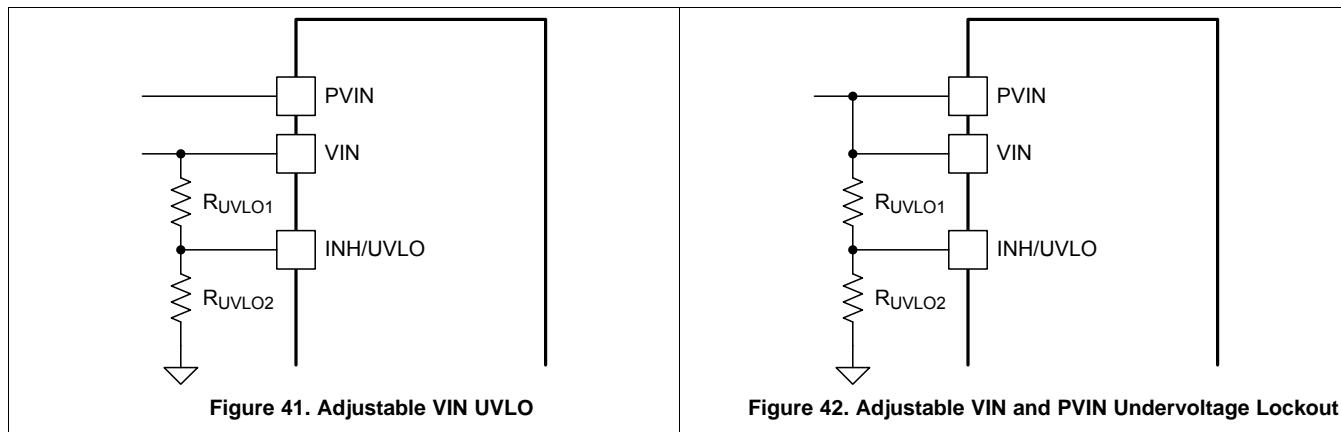
$$R2 = \frac{0.8 \times R1}{(V_{OUT2} - 0.8)} \text{ (k}\Omega\text{)} \quad (3)$$



## 8.16 Programmable Undervoltage Lockout (UVLO)

The LMZ31506H implements internal UVLO circuitry on the VIN pin. The device is disabled when the VIN pin voltage falls below the internal VIN UVLO threshold. The internal VIN UVLO rising threshold is 4.5 V(max) with a typical hysteresis of 150 mV.

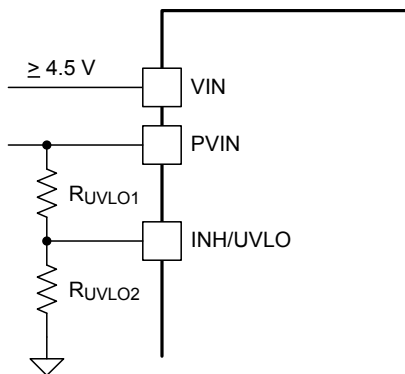
If an application requires either a higher UVLO threshold on the VIN pin or a higher UVLO threshold for a combined VIN and PVIN, then the UVLO pin can be configured as shown in [Figure 41](#) or [Figure 42](#). [Table 8](#) lists standard values for  $R_{UVLO1}$  and  $R_{UVLO2}$  to adjust the VIN UVLO voltage up.



**Table 8. Standard Resistor values for Adjusting VIN UVLO**

| VIN UVLO (V)              | 5.0  | 5.5  | 6.0  | 6.5  | 7.0  | 7.5  | 8.0  | 8.5  | 9.0  | 9.5  | 10.0 |
|---------------------------|------|------|------|------|------|------|------|------|------|------|------|
| $R_{UVLO1}$ (k $\Omega$ ) | 68.1 | 68.1 | 68.1 | 68.1 | 68.1 | 68.1 | 68.1 | 68.1 | 68.1 | 68.1 | 68.1 |
| $R_{UVLO2}$ (k $\Omega$ ) | 21.5 | 18.7 | 16.9 | 15.4 | 14.0 | 13.0 | 12.1 | 11.3 | 10.5 | 9.76 | 9.31 |
| Hysteresis (V)            | 400  | 415  | 430  | 450  | 465  | 480  | 500  | 515  | 530  | 550  | 565  |

For a split rail application, if a secondary UVLO on PVIN is required, VIN must be  $\geq 4.5$ V. [Figure 43](#) shows the PVIN UVLO configuration. Use [Table 9](#) to select  $R_{UVLO1}$  and  $R_{UVLO2}$  for PVIN. If PVIN UVLO is set for less than 3.0 V, a 5.1-V zener diode should be added to clamp the voltage on the UVLO pin below 6 V.



**Figure 43. Adjustable PVIN Undervoltage Lockout, (VIN  $\geq 4.5$  V)**

**Table 9. Standard Resistor Values for Adjusting PVIN UVLO, (VIN  $\geq 4.5$  V)**

| PVIN UVLO (V)             | 2.0  | 2.5  | 3.0  | 3.5  | 4.0  | 4.5  |  |
|---------------------------|------|------|------|------|------|------|--|
| $R_{UVLO1}$ (k $\Omega$ ) | 68.1 | 68.1 | 68.1 | 68.1 | 68.1 | 68.1 | For higher PVIN UVLO voltages see Table UV for resistor values |
| $R_{UVLO2}$ (k $\Omega$ ) | 95.3 | 60.4 | 44.2 | 34.8 | 28.7 | 24.3 |  |
| Hysteresis (V)            | 300  | 315  | 335  | 350  | 365  | 385  |  |

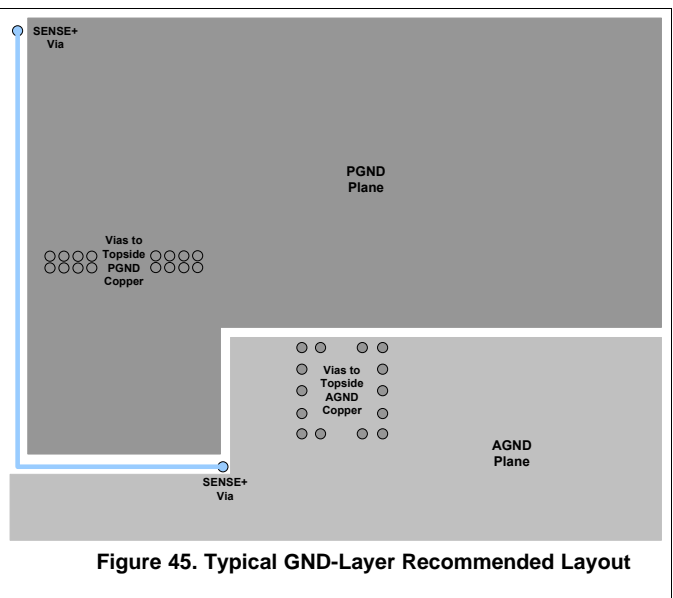
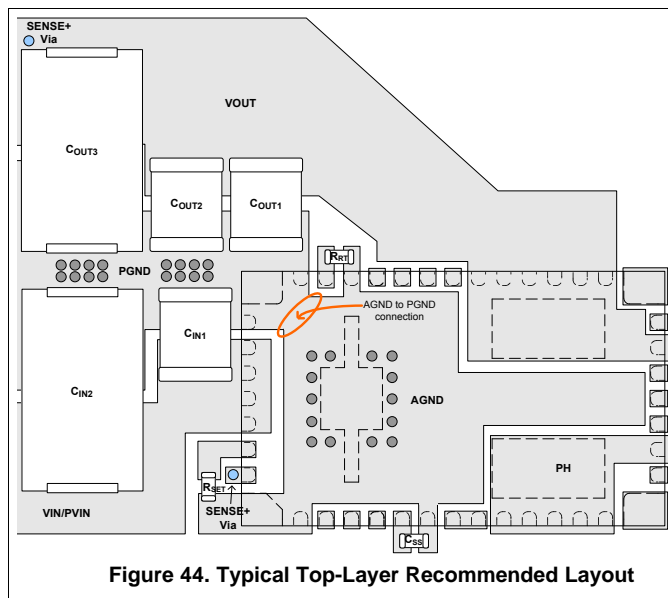
### 8.17 Thermal Shutdown

The internal thermal shutdown circuitry forces the device to stop switching if the junction temperature exceeds 175°C typically. The device reinitiates the power up sequence when the junction temperature drops below 165°C typically.

### 8.18 Layout Considerations

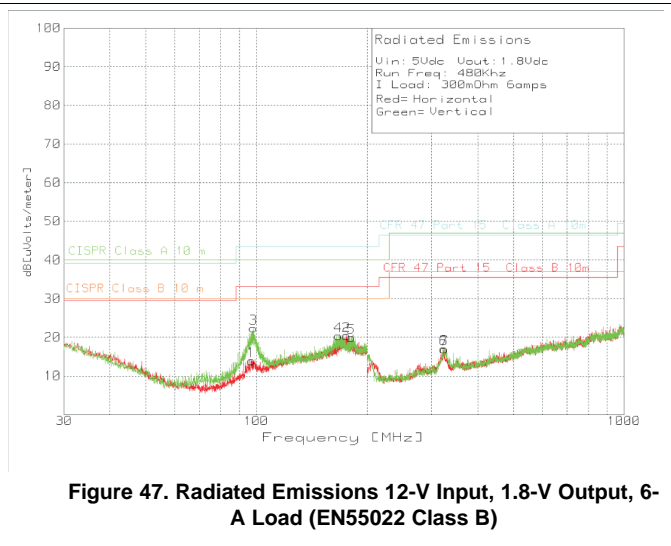
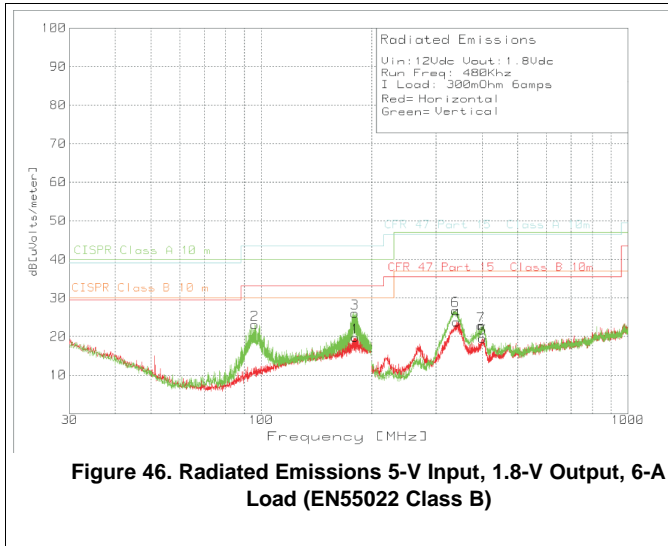
To achieve optimal electrical and thermal performance, an optimized PCB layout is required. Figure 44 and Figure 45 show two layers of a typical PCB layout. Some considerations for an optimized layout are:

- Use large copper areas for power planes (VIN, VOUT, and PGND) to minimize conduction loss and thermal stress.
- Place ceramic input and output capacitors close to the device pins to minimize high frequency noise.
- Locate additional output capacitors between the ceramic capacitor and the load.
- Place a dedicated AGND copper area beneath the LMZ31506H.
- Isolate the PH copper area from the VOUT copper area using the AGND copper area.
- Connect the AGND and PGND copper area at one point as shown below.
- Place  $R_{SET}$ ,  $R_{RT}$ , and  $C_{SS}$  as close as possible to their respective pins.
- Use multiple vias to connect the power planes to internal layers.



### 8.19 EMI

The LMZ31506H is compliant with EN55022 Class B radiated emissions. [Figure 46](#) and [Figure 47](#) show typical examples of radiated emissions plots for the LMZ31506H operating from 5V and 12V respectively. Both graphs include the plots of the antenna in the horizontal and vertical positions.



## 9 Revision History

NOTE: Page numbers for previous revisions may differ from page numbers in the current version.

| <b>Changes from Revision A (June 2017) to Revision B</b>   | <b>Page</b> |
|--|-------------|
| • Added WEBENCH® design links for the LMZ31506H .....  | 1           |
| • Increased the peak reflow temperature and maximum number of reflows to JEDEC specifications for improved manufacturability ..... | 2           |
| • Added <i>Development Support</i> section .....   | 29          |
| • Added <i>Mechanical, Packaging, and Orderable Information</i> section .....  | 30          |

| <b>Changes from Original (July 2013) to Revision A</b>              | <b>Page</b> |
|---|-------------|
| • Added peak reflow and maximum number of reflows information ..... | 2           |
| • Changed (corrected) typographical error.....                      | 19          |

## 10 Device and Documentation Support

### 10.1 Device Support

#### 10.1.1 Third-Party Products Disclaimer

TI'S PUBLICATION OF INFORMATION REGARDING THIRD-PARTY PRODUCTS OR SERVICES DOES NOT CONSTITUTE AN ENDORSEMENT REGARDING THE SUITABILITY OF SUCH PRODUCTS OR SERVICES OR A WARRANTY, REPRESENTATION OR ENDORSEMENT OF SUCH PRODUCTS OR SERVICES, EITHER ALONE OR IN COMBINATION WITH ANY TI PRODUCT OR SERVICE.

#### 10.1.2 Development Support

##### 10.1.2.1 Custom Design With WEBENCH® Tools

[Click here](#) to create a custom design using the LMZ31506H device with the WEBENCH® Power Designer.

1. Start by entering the input voltage ( $V_{IN}$ ), output voltage ( $V_{OUT}$ ), and output current ( $I_{OUT}$ ) requirements.
2. Optimize the design for key parameters such as efficiency, footprint, and cost using the optimizer dial.
3. Compare the generated design with other possible solutions from Texas Instruments.

The WEBENCH Power Designer provides a customized schematic along with a list of materials with real-time pricing and component availability.

In most cases, these actions are available:

- Run electrical simulations to see important waveforms and circuit performance
- Run thermal simulations to understand board thermal performance
- Export customized schematic and layout into popular CAD formats
- Print PDF reports for the design, and share the design with colleagues

Get more information about WEBENCH tools at [www.ti.com/WEBENCH](http://www.ti.com/WEBENCH).

### 10.2 Documentation Support

#### 10.2.1 Related Documentation

For related documentation see the following:

[Soldering Requirements for BQFN Packages](#)

### 10.3 Receiving Notification of Documentation Updates

To receive notification of documentation updates, navigate to the device product folder on ti.com. In the upper right corner, click on *Alert me* to register and receive a weekly digest of any product information that has changed. For change details, review the revision history included in any revised document.

### 10.4 Community Resources

The following links connect to TI community resources. Linked contents are provided "AS IS" by the respective contributors. They do not constitute TI specifications and do not necessarily reflect TI's views; see TI's [Terms of Use](#).

**TI E2E™ Online Community** *TI's Engineer-to-Engineer (E2E) Community*. Created to foster collaboration among engineers. At e2e.ti.com, you can ask questions, share knowledge, explore ideas and help solve problems with fellow engineers.

**Design Support** *TI's Design Support* Quickly find helpful E2E forums along with design support tools and contact information for technical support.

### 10.5 Trademarks

E2E is a trademark of Texas Instruments.

WEBENCH is a registered trademark of Texas Instruments.

All other trademarks are the property of their respective owners.

## 10.6 Electrostatic Discharge Caution



This integrated circuit can be damaged by ESD. Texas Instruments recommends that all integrated circuits be handled with appropriate precautions. Failure to observe proper handling and installation procedures can cause damage.

ESD damage can range from subtle performance degradation to complete device failure. Precision integrated circuits may be more susceptible to damage because very small parametric changes could cause the device not to meet its published specifications.

## 10.7 Glossary

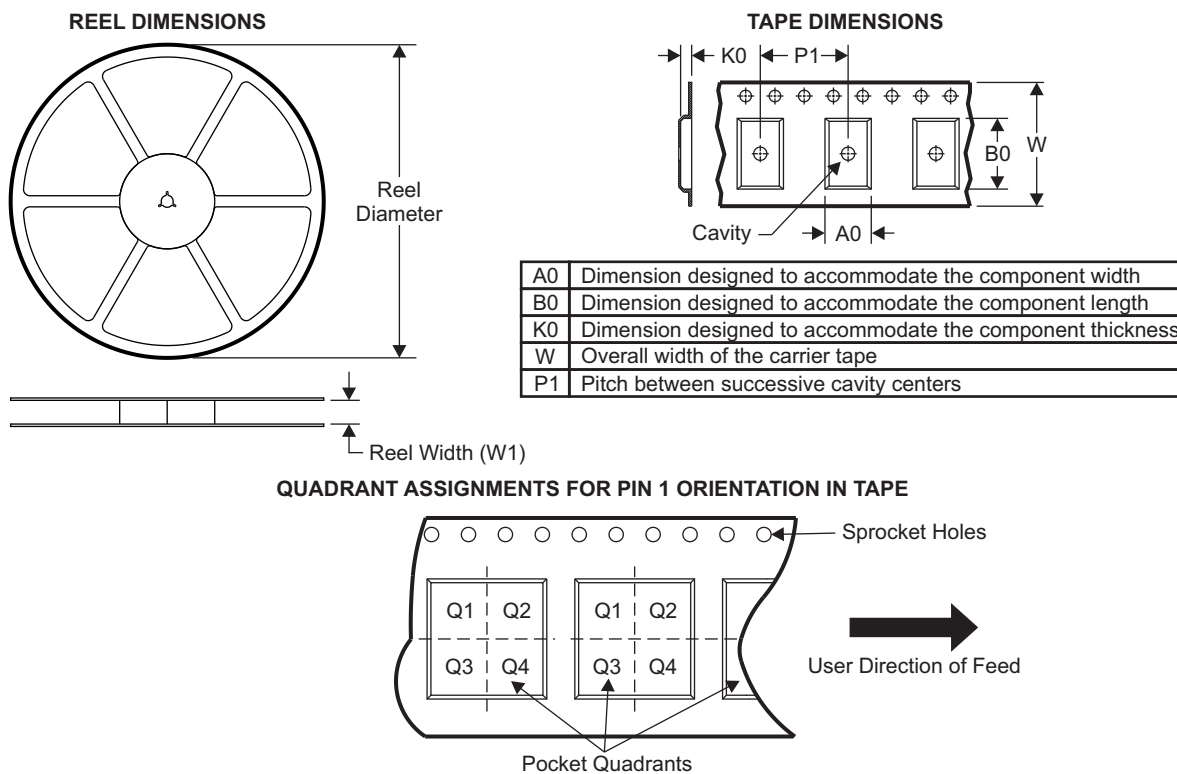
[SLYZ022](#) — *TI Glossary*.

This glossary lists and explains terms, acronyms, and definitions.

## 11 Mechanical, Packaging, and Orderable Information

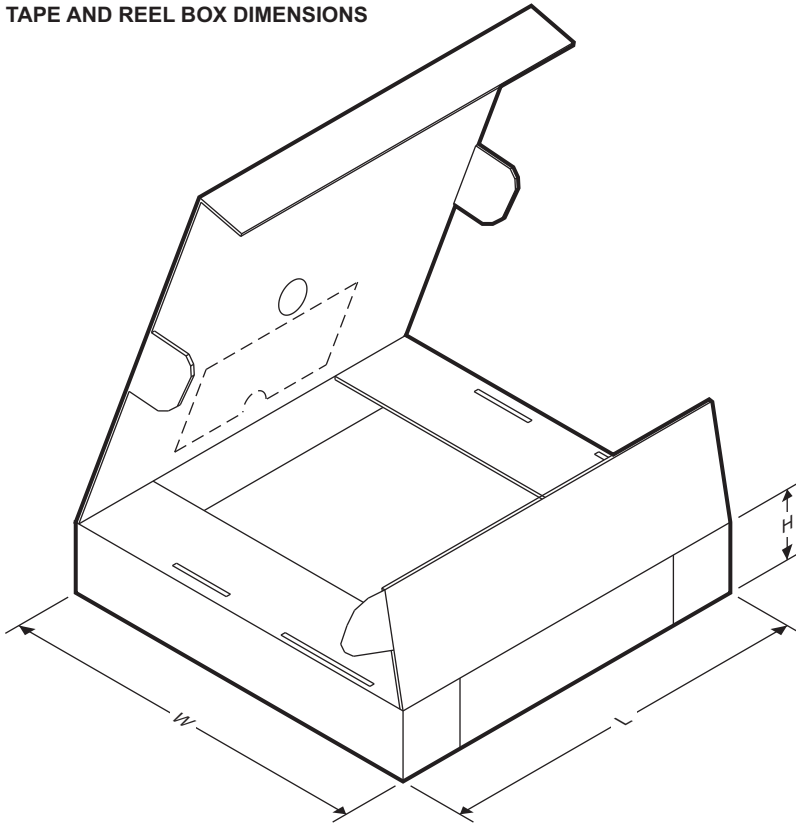
The following pages include mechanical, packaging, and orderable information. This information is the most current data available for the designated devices. This data is subject to change without notice and revision of this document. For browser-based versions of this data sheet, refer to the left-hand navigation.

### 11.1 Tape and Reel Information





| Device        | Package Type | Package Drawing | Pins | SPQ | Reel Diameter (mm) | Reel Width W1 (mm) | A0 (mm) | B0 (mm) | K0 (mm) | P1 (mm) | W (mm) | Pin1 Quadrant |
|---------------|--------------|-----------------|------|-----|--------------------|--------------------|---------|---------|---------|---------|--------|---------------|
| LMZ31506HRUQR | B1QFN        | RUQ             | 47   | 500 | 330.0              | 24.4               | 9.35    | 15.35   | 3.1     | 16.0    | 24.0   | Q1            |
| LMZ31506HRUQT | B1QFN        | RUQ             | 47   | 250 | 330.0              | 24.4               | 9.35    | 15.35   | 3.1     | 16.0    | 24.0   | Q1            |

**TAPE AND REEL BOX DIMENSIONS**



| Device        | Package Type | Package Drawing | Pins | SPQ | Length (mm) | Width (mm) | Height (mm) |
|---------------|--------------|-----------------|------|-----|-------------|------------|-------------|
| LMZ31506HRUQR | B1QFN        | RUQ             | 47   | 500 | 383.0       | 353.0      | 58.0        |
| LMZ31506HRUQT | B1QFN        | RUQ             | 47   | 250 | 383.0       | 353.0      | 58.0        |

**PACKAGING INFORMATION**

| Orderable Device | Status<br>(1) | Package Type | Package Drawing | Pins | Package Qty | Eco Plan<br>(2)                  | Lead/Ball Finish<br>(6) | MSL Peak Temp<br>(3) | Op Temp (°C) | Device Marking<br>(4/5) | Samples   |
|------------------|---------------|--------------|-----------------|------|-------------|----------------------------------|-------------------------|----------------------|--------------|-------------------------|---|
| LMZ31506HRUQR    | ACTIVE        | B1QFN        | RUQ             | 47   | 500         | RoHS (In Work) & Green (In Work) | CU NIPDAU               | Level-3-245C-168 HR  | -40 to 85    | (54620, LMZ31506H)      |  |
| LMZ31506HRUQT    | ACTIVE        | B1QFN        | RUQ             | 47   | 250         | RoHS (In Work) & Green (In Work) | CU NIPDAU               | Level-3-245C-168 HR  | -40 to 85    | (54620, LMZ31506H)      |  |

(1) The marketing status values are defined as follows:

**ACTIVE:** Product device recommended for new designs.

**LIFEBUY:** TI has announced that the device will be discontinued, and a lifetime-buy period is in effect.

**NRND:** Not recommended for new designs. Device is in production to support existing customers, but TI does not recommend using this part in a new design.

**PREVIEW:** Device has been announced but is not in production. Samples may or may not be available.

**OBSOLETE:** TI has discontinued the production of the device.

(2) **RoHS:** TI defines "RoHS" to mean semiconductor products that are compliant with the current EU RoHS requirements for all 10 RoHS substances, including the requirement that RoHS substance do not exceed 0.1% by weight in homogeneous materials. Where designed to be soldered at high temperatures, "RoHS" products are suitable for use in specified lead-free processes. TI may reference these types of products as "Pb-Free".

**RoHS Exempt:** TI defines "RoHS Exempt" to mean products that contain lead but are compliant with EU RoHS pursuant to a specific EU RoHS exemption.

**Green:** TI defines "Green" to mean the content of Chlorine (Cl) and Bromine (Br) based flame retardants meet JS709B low halogen requirements of <=1000ppm threshold. Antimony trioxide based flame retardants must also meet the <=1000ppm threshold requirement.

(3) MSL, Peak Temp. - The Moisture Sensitivity Level rating according to the JEDEC industry standard classifications, and peak solder temperature.

(4) There may be additional marking, which relates to the logo, the lot trace code information, or the environmental category on the device.

(5) Multiple Device Markings will be inside parentheses. Only one Device Marking contained in parentheses and separated by a "~" will appear on a device. If a line is indented then it is a continuation of the previous line and the two combined represent the entire Device Marking for that device.

(6) Lead/Ball Finish - Orderable Devices may have multiple material finish options. Finish options are separated by a vertical ruled line. Lead/Ball Finish values may wrap to two lines if the finish value exceeds the maximum column width.

**Important Information and Disclaimer:** The information provided on this page represents TI's knowledge and belief as of the date that it is provided. TI bases its knowledge and belief on information provided by third parties, and makes no representation or warranty as to the accuracy of such information. Efforts are underway to better integrate information from third parties. TI has taken and continues to take reasonable steps to provide representative and accurate information but may not have conducted destructive testing or chemical analysis on incoming materials and chemicals. TI and TI suppliers consider certain information to be proprietary, and thus CAS numbers and other limited information may not be available for release.

In no event shall TI's liability arising out of such information exceed the total purchase price of the TI part(s) at issue in this document sold by TI to Customer on an annual basis.

**TAPE AND REEL INFORMATION**

**QUADRANT ASSIGNMENTS FOR PIN 1 ORIENTATION IN TAPE**


\*All dimensions are nominal

| Device        | Package Type | Package Drawing | Pins | SPQ | Reel Diameter (mm) | Reel Width W1 (mm) | A0 (mm) | B0 (mm) | K0 (mm) | P1 (mm) | W (mm) | Pin1 Quadrant |
|---------------|--------------|-----------------|------|-----|--------------------|--------------------|---------|---------|---------|---------|--------|---------------|
| LMZ31506HRUQR | B1QFN        | RUQ             | 47   | 500 | 330.0              | 12.4               | 3.75    | 3.75    | 1.15    | 8.0     | 12.0   | Q1            |
| LMZ31506HRUQT | B1QFN        | RUQ             | 47   | 250 | 180.0              | 12.4               | 3.75    | 3.75    | 1.15    | 8.0     | 12.0   | Q1            |

**TAPE AND REEL BOX DIMENSIONS**

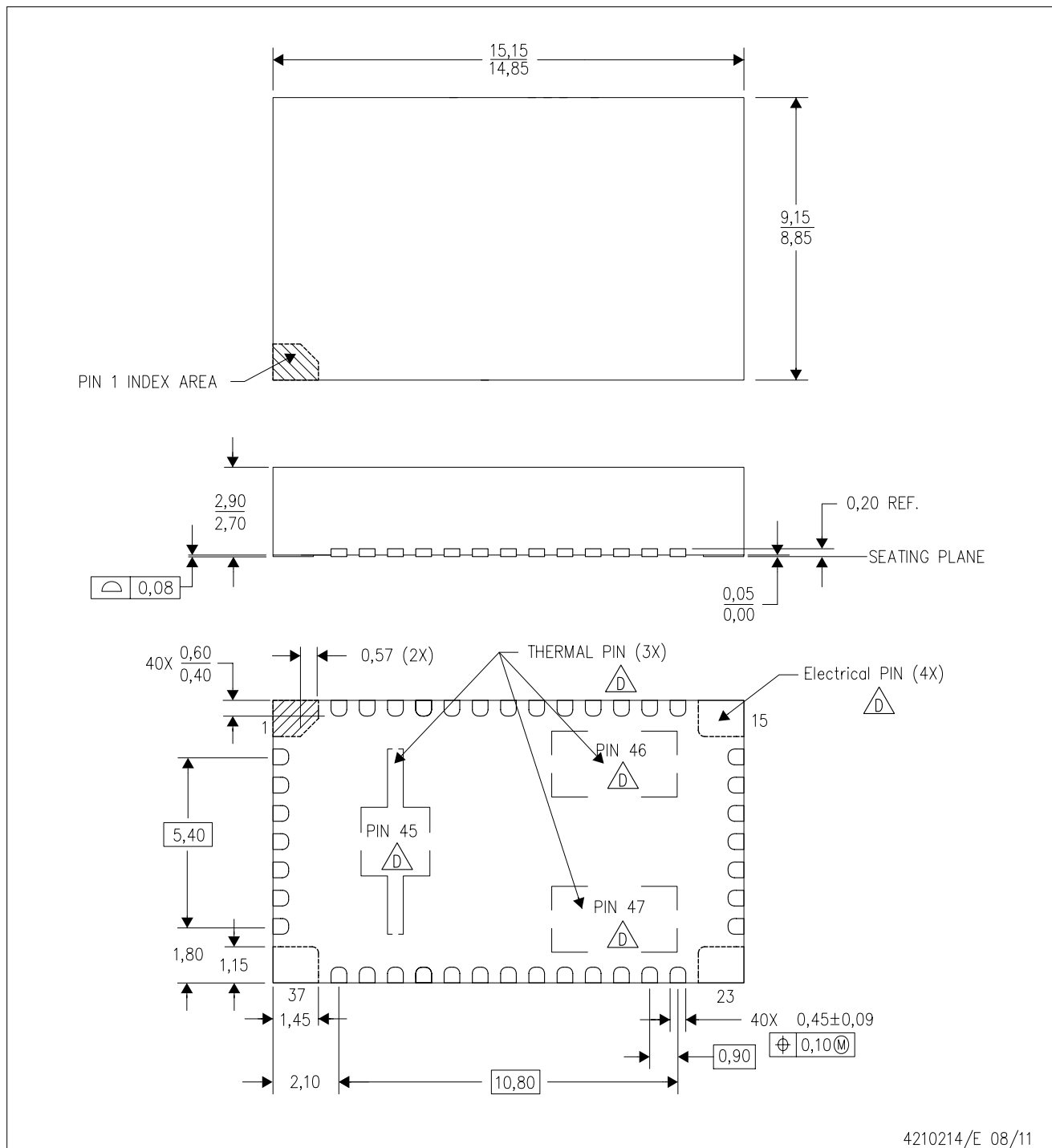

\*All dimensions are nominal

| Device        | Package Type | Package Drawing | Pins | SPQ | Length (mm) | Width (mm) | Height (mm) |
|---------------|--------------|-----------------|------|-----|-------------|------------|-------------|
| LMZ31506HRUQR | B1QFN        | RUQ             | 47   | 500 | 367.0       | 367.0      | 35.0        |
| LMZ31506HRUQT | B1QFN        | RUQ             | 47   | 250 | 210.0       | 185.0      | 35.0        |



# MECHANICAL DATA

RUQ (R-PB1QFN-N47)

PLASTIC QUAD FLATPACK NO-LEAD



4210214/E 08/11

- NOTES:
- All linear dimensions are in millimeters. Dimensioning and tolerancing per ASME Y14.5M-1994.
  - This drawing is subject to change without notice.
  - Quad Flatpack, No-leads (QFN) package configuration.
  -  The package thermal pad must be soldered to the board for thermal and mechanical performance.
  - See the additional figure in the Product Data Sheet for details regarding the exposed thermal pad features and dimensions.
  -  The package thermal performance may be enhanced by bonding the thermal pad to an external thermal plane.

# THERMAL PAD MECHANICAL DATA

RUQ (R-PB1QFN-N47)

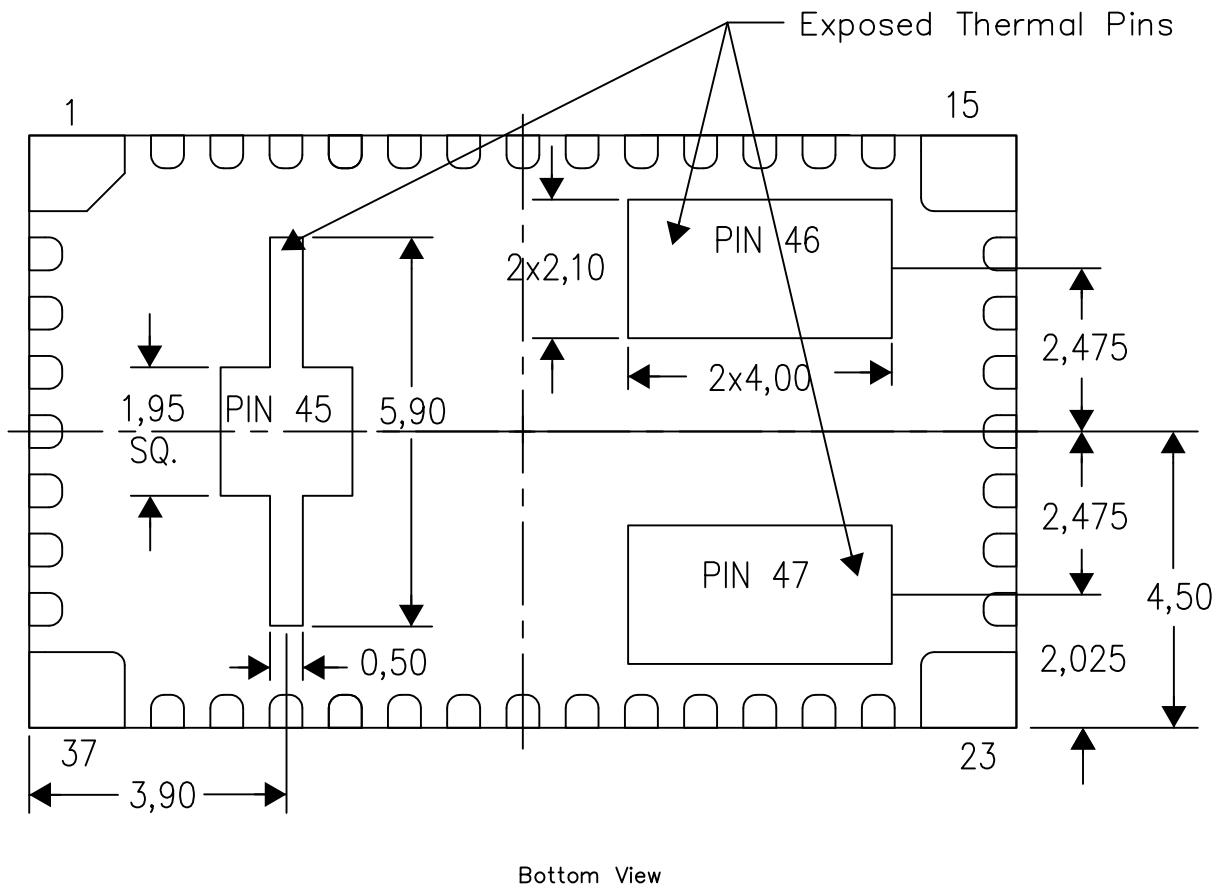
PLASTIC QUAD FLATPACK NO-LEAD

## THERMAL INFORMATION

This package incorporates an exposed thermal pad that is designed to be attached directly to an external heatsink. The thermal pad must be soldered directly to the printed circuit board (PCB). After soldering, the PCB can be used as a heatsink. In addition, through the use of thermal vias, the thermal pad can be attached directly to the appropriate copper plane shown in the electrical schematic for the device, or alternatively, can be attached to a special heatsink structure designed into the PCB. This design optimizes the heat transfer from the integrated circuit (IC).

For information on the Quad Flatpack No-Lead (QFN) package and its advantages, refer to Application Report, QFN/SON PCB Attachment, Texas Instruments Literature No. SLUA271. This document is available at [www.ti.com](http://www.ti.com).

The exposed thermal pad dimensions for this package are shown in the following illustration.



Exposed Thermal Pad Dimensions

4210496/D 07/14

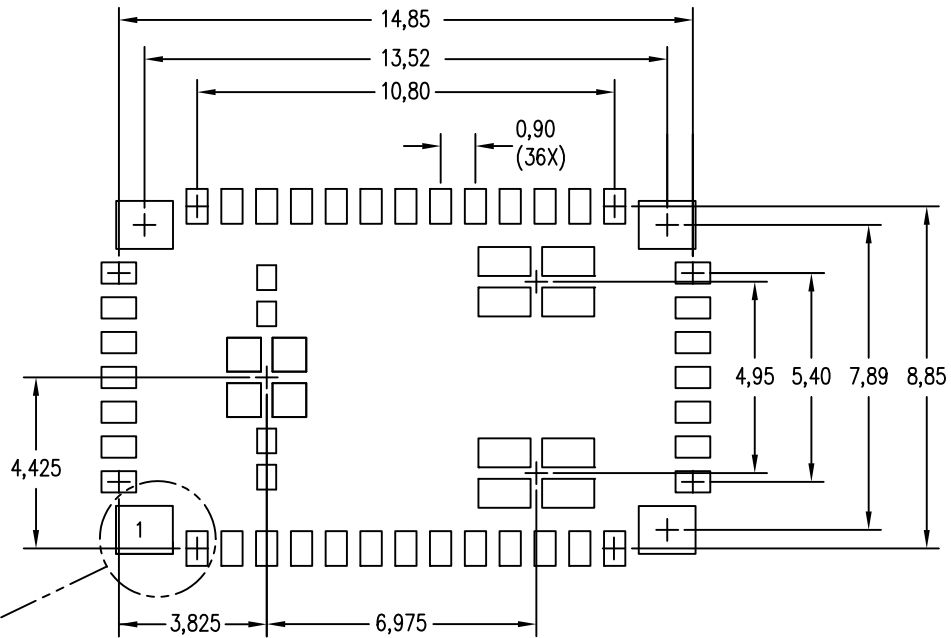
NOTE: A. All linear dimensions are in millimeters



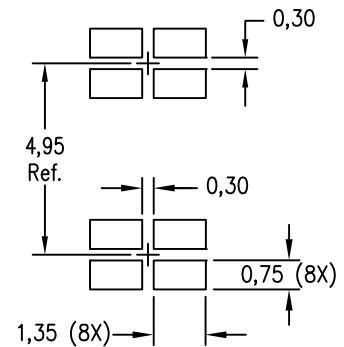
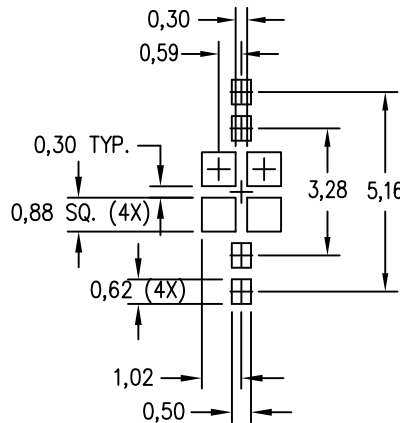
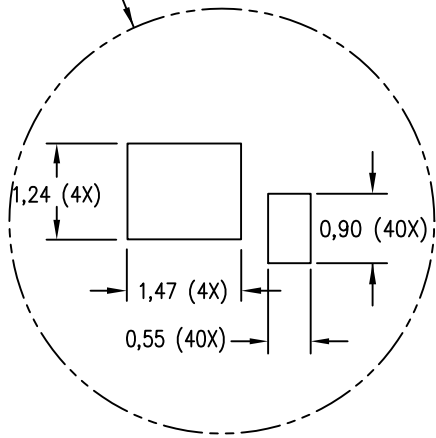
RUQ (R-PB1QFN-N47)

PLASTIC QUAD FLATPACK NO-LEAD

Example Stencil Design (Note E)  
Stencil Thickness = 0,125mm



60% solder coverage on center pads



4210717-3/1 10/14

NOTES:

- E. Laser cutting apertures with trapezoidal walls and also rounding corners will offer better paste release. Customers should contact their board assembly site for stencil design recommendations. Refer to IPC 7525 for stencil design considerations.

## IMPORTANT NOTICE AND DISCLAIMER

TI PROVIDES TECHNICAL AND RELIABILITY DATA (INCLUDING DATASHEETS), DESIGN RESOURCES (INCLUDING REFERENCE DESIGNS), APPLICATION OR OTHER DESIGN ADVICE, WEB TOOLS, SAFETY INFORMATION, AND OTHER RESOURCES "AS IS" AND WITH ALL FAULTS, AND DISCLAIMS ALL WARRANTIES, EXPRESS AND IMPLIED, INCLUDING WITHOUT LIMITATION ANY IMPLIED WARRANTIES OF MERCHANTABILITY, FITNESS FOR A PARTICULAR PURPOSE OR NON-INFRINGEMENT OF THIRD PARTY INTELLECTUAL PROPERTY RIGHTS.

These resources are intended for skilled developers designing with TI products. You are solely responsible for (1) selecting the appropriate TI products for your application, (2) designing, validating and testing your application, and (3) ensuring your application meets applicable standards, and any other safety, security, or other requirements. These resources are subject to change without notice. TI grants you permission to use these resources only for development of an application that uses the TI products described in the resource. Other reproduction and display of these resources is prohibited. No license is granted to any other TI intellectual property right or to any third party intellectual property right. TI disclaims responsibility for, and you will fully indemnify TI and its representatives against, any claims, damages, costs, losses, and liabilities arising out of your use of these resources.

TI's products are provided subject to TI's Terms of Sale ([www.ti.com/legal/termsofsale.html](http://www.ti.com/legal/termsofsale.html)) or other applicable terms available either on [ti.com](http://ti.com) or provided in conjunction with such TI products. TI's provision of these resources does not expand or otherwise alter TI's applicable warranties or warranty disclaimers for TI products.

Mailing Address: Texas Instruments, Post Office Box 655303, Dallas, Texas 75265  
Copyright © 2019, Texas Instruments Incorporated

## Looking for pricing, stock, or lifecycle information?

Click below to explore more details on WIN SOURCE:

 [View LMZ31506HRUQT on WIN SOURCE](#)

 [Texas Instruments](#) Information

## Optimize Your Supply Chain with WIN SOURCE Solutions

-  Global Sourcing Solution
-  Obsolete Management
-  Cost Control Management
-  Shortage Management
-  Alternative Solution
-  Excess Inventory Management