



THE DATASHEET OF LNBP20PD-TR





LNBP20 / LNBP1X series

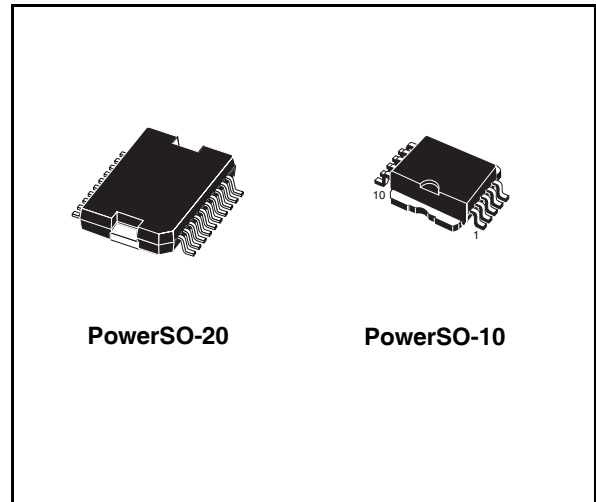
LNBP supply and control voltage regulator (parallel interface)

Feature summary

- Complete interface for two LNBS remote supply and control
- LNB selection and stand-by function
- Built-in tone oscillator factory trimmed at 22KHz
- Fast oscillator start-up facilitates DiSEqC™ encoding
- Two supply inputs for lowest dissipation
- Bypass function for slave operation
- LNB short circuit protection and diagnostic
- Auxiliary modulation input extends flexibility
- Cable length compensation
- Internal over temperature protection
- Backward current protection

Description

Intended for analog and digital satellite receivers, the LNBP is a monolithic linear voltage regulator, assembled in PowerSO-20 and PowerSO-10, specifically designed to provide the powering voltages and the interfacing signals to the LNB downconverter situated in the antenna



via the coaxial cable. Since most satellite receivers have two antenna ports, the output voltage of the regulator is available at one of two logic-selectable output pins (LNBA, LNBB). When the IC is powered and put in Stand-by (EN pin LOW), both regulator outputs are disabled to allow the antenna downconverters to be supplied/controlled by others satellite receivers sharing the same coaxial lines. In this occurrence the device will limit at 3 mA (max) the backward current that could flow from LNBA and LNBB output pins to GND. (See continuous description).

Order codes

Part number	Package	
	PowerSO-20	PowerSO-10
LNBP10		LNBP10SP-TR
LNBP11		LNBP11SP-TR
LNBP12		LNBP12SP-TR
LNBP13		LNBP13SP-TR
LNBP14		LNBP14SP-TR
LNBP15		LNBP15SP-TR
LNBP16		LNBP16SP-TR
LNBP20	LNBP20PD-TR	

Contents

1	Description (continued)	3
2	Pin configuration	4
3	Maximum ratings	6
4	Diagram	7
5	Electrical characteristics	8
6	Typical characteristics	10
7	Typical application schematics	14
8	Package mechanical data	18
9	Revision history	23

1 Description (continued)

For slave operation in single dish, dual receiver systems, the bypass function is implemented by an electronic switch between the Master Input pin (MI) and the LNBA pin, thus leaving all LNB powering and control functions to the Master Receiver. This electronic switch is closed when the device is powered and EN pin is LOW.

The regulator outputs can be logic controlled to be 13 or 18 V (typ.) by mean of the VSEL pin for remote controlling of LNBs. Additionally, it is possible to increment by 1V (typ.) the selected voltage value to compensate the excess voltage drop along the coaxial cable (LLC pin HIGH).

In order to reduce the power dissipation of the device when the lowest output voltage is selected, the regulator has two Supply Input pins V_{CC1} and V_{CC2} . They must be powered respectively at 16V (min) and 23V (min), and an internal switch automatically will select the suitable supply pin according to the selected output voltage. If adequate heatsink is provided and higher power losses are acceptable, both supply pins can be powered by the same 23V source without affecting any other circuit performance.

The ENT (Tone Enable) pin activates the internal oscillator so that the DC output is modulated by a ± 0.3 V, 22KHz (typ.) square wave. This internal oscillator is factory trimmed within a tolerance of ± 2 KHz, thus no further adjustments neither external components are required.

A burst coding of the 22KHz tone can be accomplished thanks to the fast response of the ENT input and the prompt oscillator start-up. This helps designers who want to implement the DiSEqC™ protocols ^(a).

In order to improve design flexibility and to allow implementation of newcoming LNB remote control standards, an analogic modulation input pin is available (EXTM). An appropriate DC blocking capacitor must be used to couple the modulating signal source to the EXTM pin. When external modulation is not used, the relevant pin can be left open.

Two pins are dedicated to the overcurrent protection/monitoring: CEXT and OLF. The overcurrent protection circuit works dynamically: as soon as an overload is detected in either LNB output, the output is shut-down for a time t_{off} determined by the capacitor connected between CEXT and GND. Simultaneously the OLF pin, that is an open collector diagnostic output flag, from HIGH IMPEDANCE state goes LOW.

After the time has elapsed, the output is resumed for a time $t_{on}=1/15t_{off}$ (typ.) and OLF goes in HIGH IMPEDANCE. If the overload is still present, the protection circuit will cycle again through t_{off} and t_{on} until the overload is removed. Typical $t_{on}+t_{off}$ value is 1200ms when a 4.7 μ F external capacitor is used.

This dynamic operation can greatly reduce the power dissipation in short circuit condition, still ensuring excellent power-on start up even with highly capacitive loads on LNB outputs.

The device is packaged in PowerSO-20 for surface mounting. When a limited functionality in a smaller package matches design needs, a range of cost-effective PowerSO-10 solutions is also offered. All versions have built-in thermal protection against overheating damage.

a. External components are needed to comply to level 2.x and above (bidirectional) DiSEqC™ bus hardware requirements. DiSEqC™ is a trademark of EUTELSAT.

2 Pin configuration

Figure 1. Pin connections (top view)

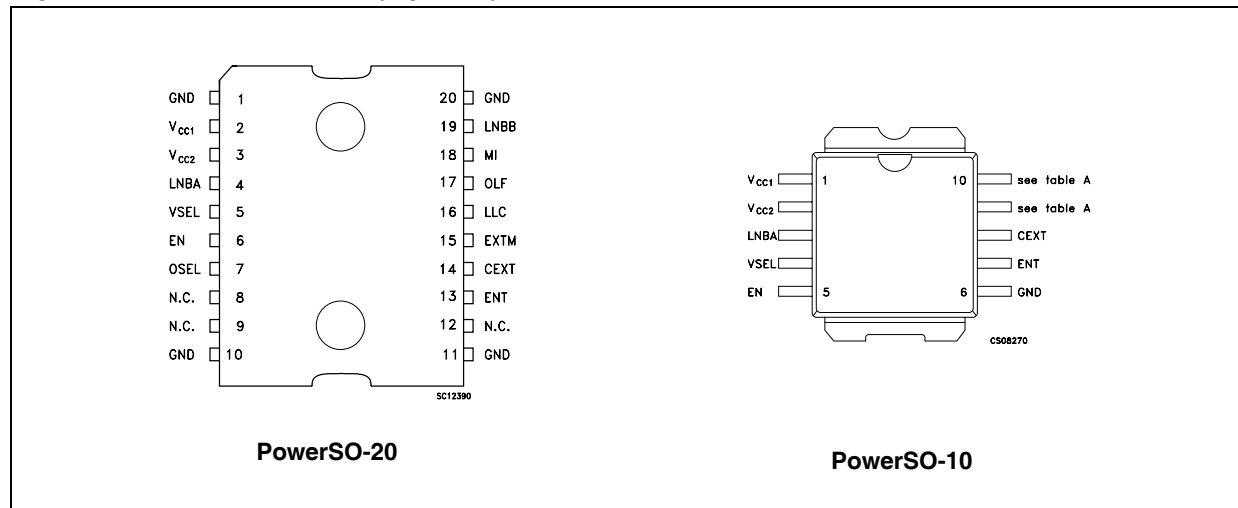


Table 1. Pin Description

SYMBOL	NAME	FUNCTION	PIN NUMBER vs SALES TYPE (LNBP)							
			20PD	10SP	11SP	12SP	13SP	14SP	15SP	16SP
V _{CC1}	Supply input 1	15V to 25V supply. It is automatically selected when V _{OUT} = 13 or 14V	2	1	1	1		1	1	1
V _{CC2}	Supply input 2	22V to 25V supply. It is automatically selected when V _{OUT} = 18 or 19V	3	2	2	2	2	2	2	2
LNBA	Output port	See truth table voltage and port selection. In stand-by mode this port is powered by the MI pin via the internal bypass switch	4	3	3	3	3	3	3	3
V _{SEL}	Output voltage selection: 13 or 18V (typ)	Logic control input: see truth table	5	4	4	4	4	4	4	4
EN	Port enable	Logic control input: see truth table	6	5	5	5	5	5	5	5
OSEL	Port selection	Logic control input: see truth table	7	9	NA	NA	NA	NA	NA	NA
GND	Ground	Circuit ground. It is internally connected to the die frame	1 10 11 20	6	6	6	6	6	6	6

Table 1. Pin Description

SYMBOL	NAME	FUNCTION	PIN NUMBER vs SALES TYPE (LNBP)							
			20PD	10SP	11SP	12SP	13SP	14SP	15SP	16SP
ENT	22KHz tone enable	Logic control input: see truth table	13	7	7	7	7	7	7	7
CEXT	External capacitor	Timing capacitor used by the dynamic overload protection. Typical application is 4.7 μ F for a 1200ms cycle	14	8	8	8	8	8	8	8
EXTM	External modulator	External modulation input. Needs DC decoupling to the AC source. if not used, can be left open.	15	NA	NA	NA	9	NA	9	9
LLC	Line length compens. (1V typ)	Logic control input: see truth table	16	NA	NA	9	NA	9	NA	10
OLF	Over load flag	Logic output (open collector). Normally in HIGH IMPEDANCE, goes LOW when current or thermal overload occurs	17	NA	9	NA	NA	10	10	NA
MI	Master input	In stand-by mode, the voltage on MI is routed to LNBA pin. Can be left open if bypass function is not needed	18	NA	10	10	10	NA	NA	NA
LNBB	Output port	See truth tables for voltage and port selection	19	10	NA	NA	NA	NA	NA	NA

Note: The limited pin availability of the PowerSO-10 package leads to drop some functions.

3 Maximum ratings

Table 2. Absolute maximum ratings

Symbol	Parameter	Value	Unit
V_I	DC Input voltage (V_{CC1} , V_{CC2} , MI)	28	V
V_O	Output voltage	-0.3 to 28	V
I_O	Output current (LNBA, LNBB)	Internally Limited	mA
V_I	Logic input voltage (ENT, EN OSEL, VSEL, LLC)	-0.5 to 7	V
I_{SW}	Bypass switch current	900	mA
P_D	Power dissipation at $T_{case} < 85^\circ\text{C}$	14	W
T_{stg}	Storage temperature range	-40 to +150	$^\circ\text{C}$
T_{op}	Operating junction temperature range	-40 to +125	$^\circ\text{C}$

Note: Absolute Maximum Ratings are those values beyond which damage to the device may occur. Functional operation under these condition is not implied

Table 3. Thermal data

Symbol	Parameter	PowerSO-20	PowerSO-10	Unit
R_{thJC}	Thermal resistance junction-case	2	2	$^\circ\text{C}/\text{W}$

Table 4. Logic Controls Truth Table

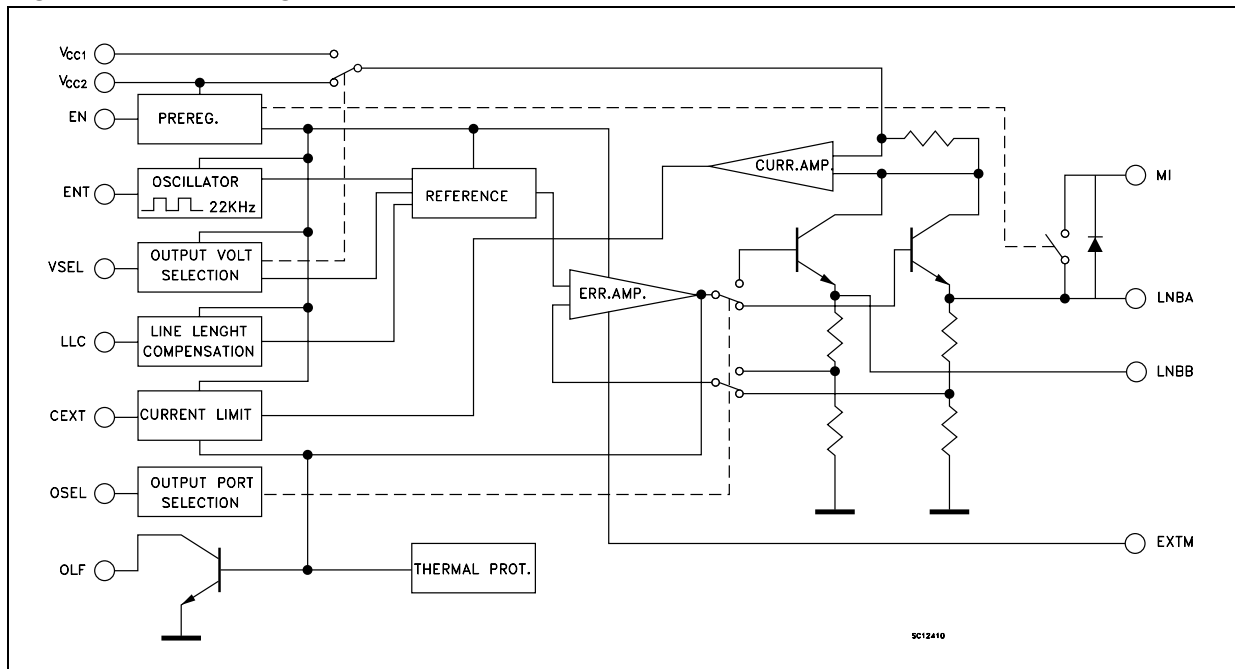
CONTROL I/O	PIN NAME	L	H
OUT	OLF	$I_{OUT} > I_{OMAX}$ or $T_j > 150^\circ\text{C}$	$I_{OUT} < I_{OMAX}$
IN	ENT	22KHz tone OFF	22KHz tone ON
IN	EN	See Table Below	See Table Below
IN	OSEL	See Table Below	See Table Below
IN	VSEL	See Table Below	See Table Below
IN	LLC	See Table Below	See Table Below

EN	OSEL	VSEL	LLCO	V_{LNBA}	V_{LNBB}
L	X	X	X	$V_{MI} - 0.4\text{V}$ (typ.)	Disabled
H	L	L	L	13V (typ.)	Disabled
H	L	H	L	18V (typ.)	Disabled
H	L	L	H	14V (typ.)	Disabled
H	L	H	H	19V (typ.)	Disabled
H	H	L	L	Disabled	13V (typ.)
H	H	H	L	Disabled	18V (typ.)
H	H	L	H	Disabled	14V (typ.)
H	H	H	H	Disabled	19V (typ.)

Note: All logic input pins have internal pull-down resistor (typ. = 250KW)

4 Diagram

Figure 2. Block diagram



5 Electrical characteristics

Table 5. Electrical characteristics for LNBP Series ($T_J = 0$ to 85°C , $C_1 = 0.22\mu\text{F}$, $C_O = 0.1\mu\text{F}$, $\text{EN}=\text{H}$, $\text{ENT}=\text{L}$, $\text{LLC}=\text{L}$, $V_{\text{IN}1}=16\text{V}$, $V_{\text{IN}2}=23\text{V}$ $I_{\text{OUT}}=50\text{mA}$, unless otherwise specified.)

Symbol	Parameter	Test conditions	Min.	Typ.	Max.	Unit
$V_{\text{IN}1}$	$V_{\text{CC}1}$ Supply voltage	$I_O = 500 \text{ mA}$, $\text{ENT}=\text{H}$, $\text{VSEL}=\text{L}$, $\text{LLC}=\text{L}$	15		25	V
		$I_O = 500 \text{ mA}$, $\text{ENT}=\text{H}$, $\text{VSEL}=\text{L}$, $\text{LLC}=\text{H}$	16		25	V
$V_{\text{IN}2}$	$V_{\text{CC}2}$ Supply voltage	$I_O = 500 \text{ mA}$, $\text{ENT}=\text{H}$, $\text{VSEL}=\text{L}$, $\text{LLC}=\text{L}$	22		25	V
		$I_O = 500 \text{ mA}$, $\text{VSEL}=\text{L}$, $\text{LLC}=\text{H}$	23		25	V
$V_{\text{O}1}$	Output voltage	$I_O = 500 \text{ mA}$, $\text{VSEL}=\text{H}$, $\text{LLC}=\text{L}$	17.3	18	18.7	V
		$I_O = 500 \text{ mA}$, $\text{VSEL}=\text{H}$, $\text{LLC}=\text{H}$		19		V
$V_{\text{O}2}$	Output voltage	$I_O = 500 \text{ mA}$, $\text{VSEL}=\text{L}$, $\text{LLC}=\text{L}$	12.5	13	13.5	V
		$I_O = 500 \text{ mA}$, $\text{VSEL}=\text{L}$, $\text{LLC}=\text{H}$		14		V
ΔV_O	Line regulation	$V_{\text{IN}1}=15$ to 18V , $V_{\text{OUT}}=13\text{V}$		4	40	mV
		$V_{\text{IN}2}=22$ to 25V , $V_{\text{OUT}}=18\text{V}$		4	40	mV
ΔV_O	Load regulation	$V_{\text{IN}1}=V_{\text{IN}2}=22\text{V}$, $V_{\text{OUT}}=13$ or 18V $I_O = 50$ to 500mA		80	180	mV
SVR	Supply voltage rejection	$V_{\text{IN}1} = V_{\text{IN}2} = 23 \pm 0.5V_{\text{ac}}$, $f_{\text{ac}} = 120 \text{ Hz}$,		45		dB
I_{MAX}	Output current limiting		500	650	800	mA
t_{OFF}	Dynamic overload protection OFF time	Output Shorted, $C_{\text{EXT}} = 4.7\mu\text{F}$		1100		ms
t_{ON}	Dynamic overload protection ON time	Output Shorted, $C_{\text{EXT}} = 4.7\mu\text{F}$		$t_{\text{OFF}}/15$		ms
f_{TONE}	Tone frequency	$\text{ENT}=\text{H}$	20	22	24	KHz
A_{TONE}	Tone amplitude	$\text{ENT}=\text{H}$	0.55	0.72	0.9	V_{PP}
D_{TONE}	Tone duty cycle	$\text{ENT}=\text{H}$	40	50	60	%
t_r, t_f	Tone rise and fall time	$\text{ENT}=\text{H}$	5	10	15	μs
G_{EXTM}	External modulation gain	$\Delta V_{\text{OUT}}/\Delta V_{\text{EXTM}}$, $f = 10\text{Hz}$ to 40KHz		5		
V_{EXTM}	External modulation input voltage	AC Coupling			400	mV_{PP}
Z_{EXTM}	External modulation impedance	$f = 10\text{Hz}$ to 40KHz		400		Ω
V_{SW}	Bypass switch voltage drop (MI to LNBA)	$\text{EN}=\text{L}$, $I_{\text{SW}}=300\text{mA}$, $V_{\text{CC}2}-V_{\text{MI}}=4\text{V}$		0.35	0.6	V
V_{OL}	Overload flag pin logic LOW	$I_{\text{OL}}=8\text{mA}$		0.28	0.5	V
I_{OZ}	Overload flag pin OFF state leakage current	$V_{\text{OH}} = 6\text{V}$			10	μA
V_{IL}	Control input pin logic LOW				0.8	V

Table 5. Electrical characteristics for LNBP Series ($T_J = 0$ to 85°C , $C_I = 0.22\mu\text{F}$, $C_O = 0.1\mu\text{F}$, $\text{EN}=\text{H}$, $\text{ENT}=\text{L}$, $\text{LLC}=\text{L}$, $V_{\text{IN}1}=16\text{V}$, $V_{\text{IN}2}=23\text{V}$ $I_{\text{OUT}}=50\text{mA}$, unless otherwise specified.)

Symbol	Parameter	Test conditions	Min.	Typ.	Max.	Unit
V_{IH}	Control input pin logic HIGH		2.5			V
I_{IH}	Control pins input current	$V_{\text{IH}} = 5\text{V}$		20		μA
I_{CC}	Supply current	Output Disabled ($\text{EN}=\text{L}$)		0.3	1	mA
		$\text{ENT}=\text{H}$, $I_{\text{OUT}}=500\text{mA}$		3.1	6	mA
I_{OBK}	Output backward current	$\text{EN}=\text{L}$, $V_{\text{LNBA}} = V_{\text{LNBB}} = 18\text{V}$ $V_{\text{IN}1} = V_{\text{IN}2} = 22\text{V}$ or floating		0.2	3	mA
T_{SHDN}	Temperature shutdown threshold			150		$^\circ\text{C}$

6 Typical characteristics

(unless otherwise specified $T_J = 25^\circ\text{C}$)

Figure 3. Output voltage vs output current

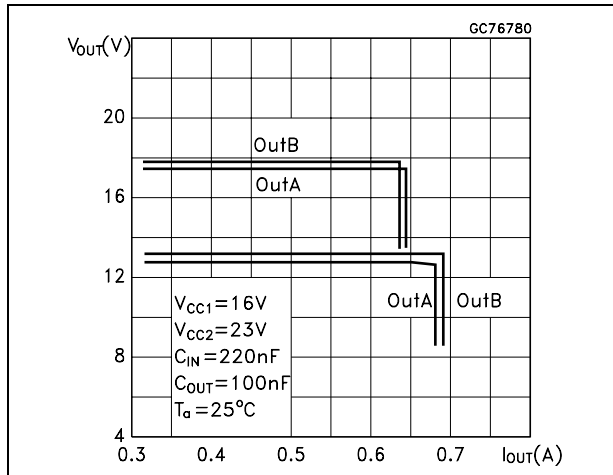


Figure 4. Tone duty cycle vs temperature

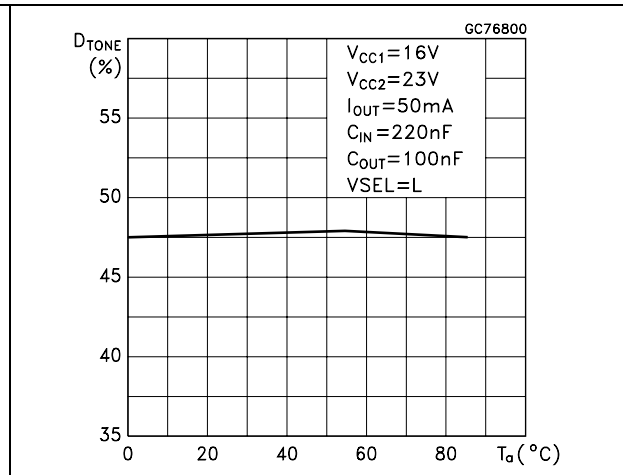


Figure 5. Tone fall time vs temperature

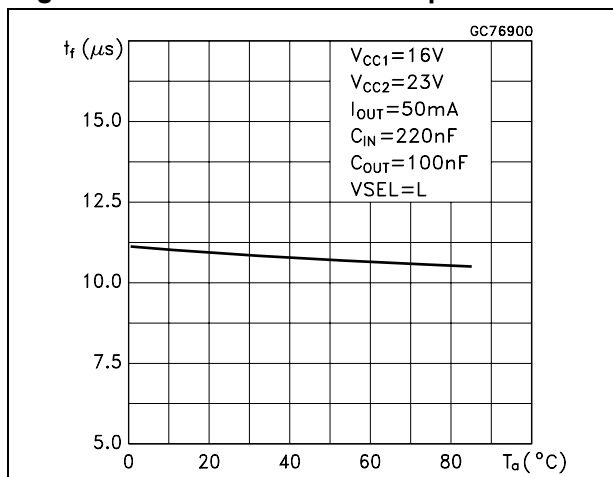


Figure 6. Tone frequency vs temperature

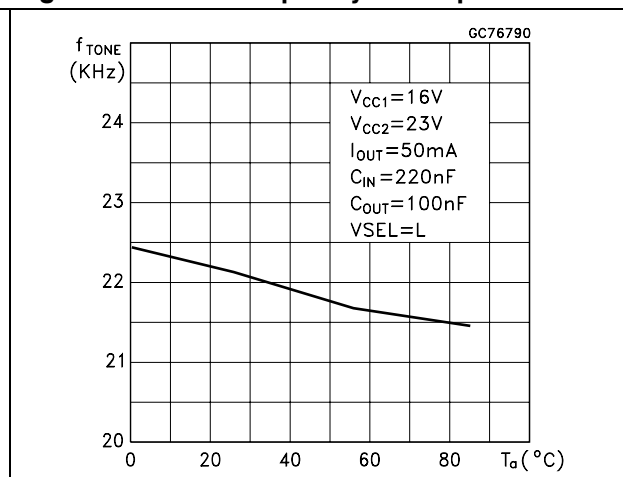


Figure 7. Tone rise time vs temperature

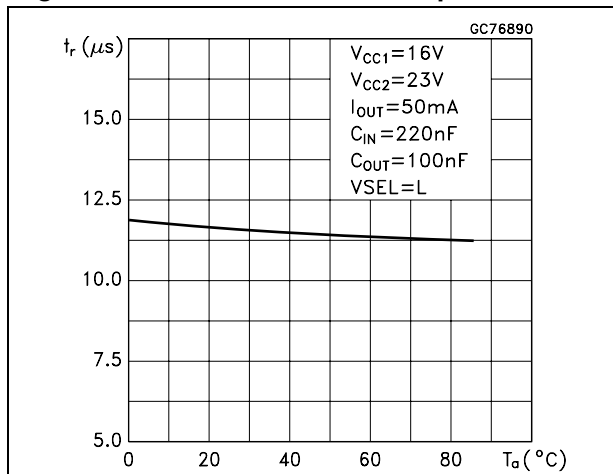


Figure 8. Tone amplitude vs temperature

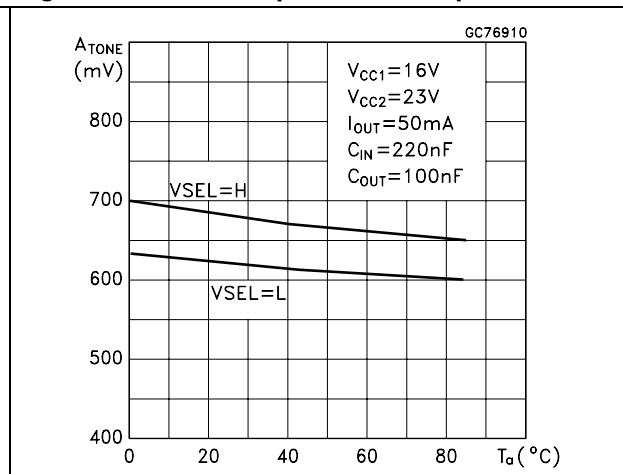


Figure 9. S.V.R. vs Frequency

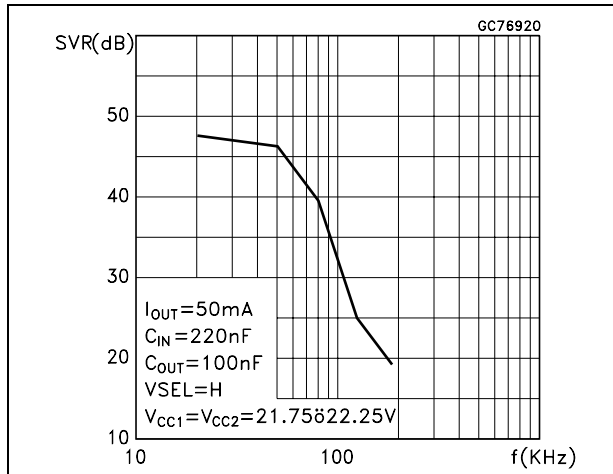


Figure 10. External modulation vs temperature

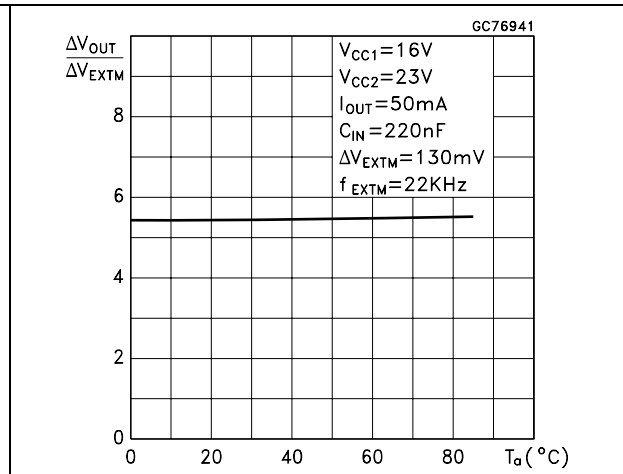


Figure 11. Bypass switch drop vs output current

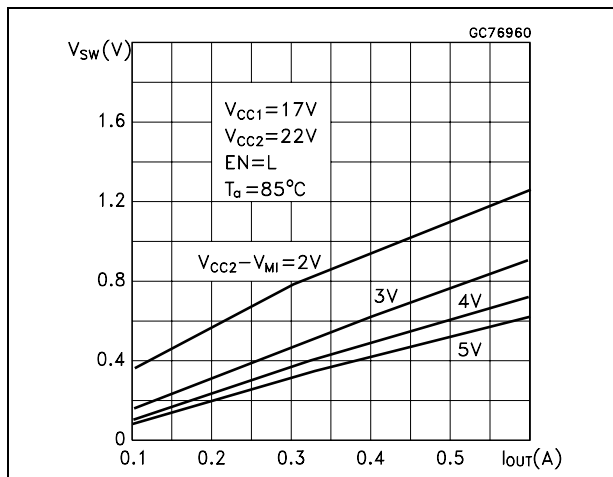


Figure 12. LNBA External modulation gain vs frequency

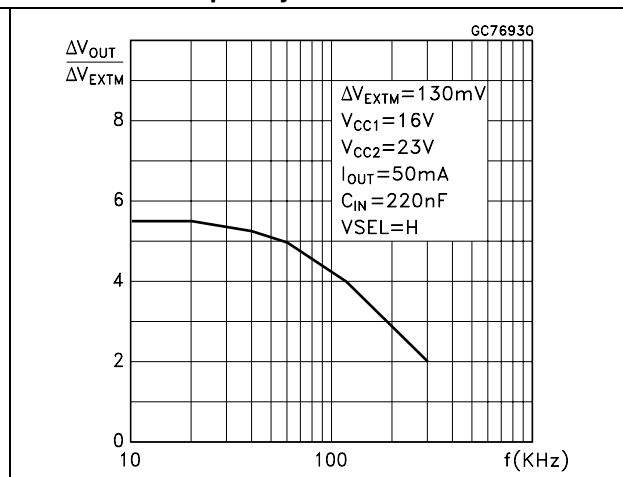


Figure 13. Bypass switch drop vs output current

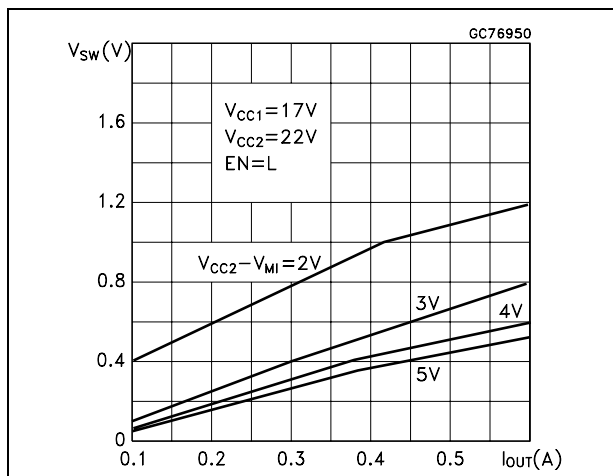


Figure 14. Overload flag pin logic low vs flag current

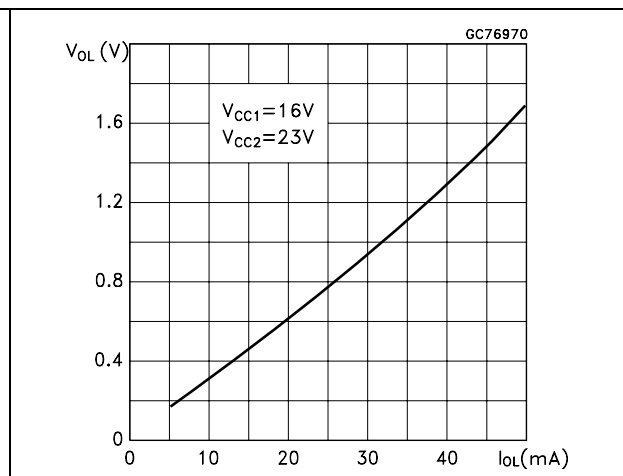


Figure 15. Supply voltage vs temperature

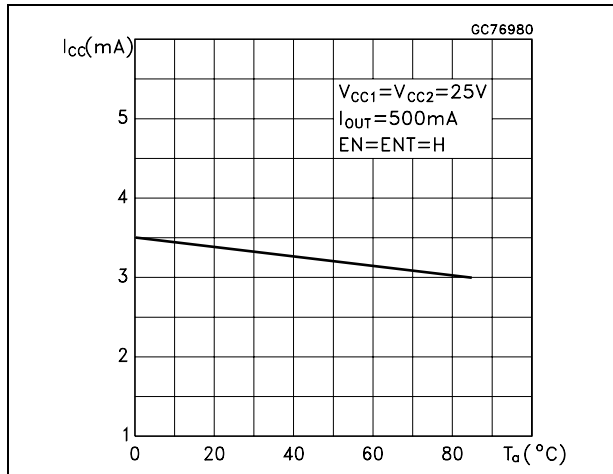


Figure 16. Supply voltage vs temperature

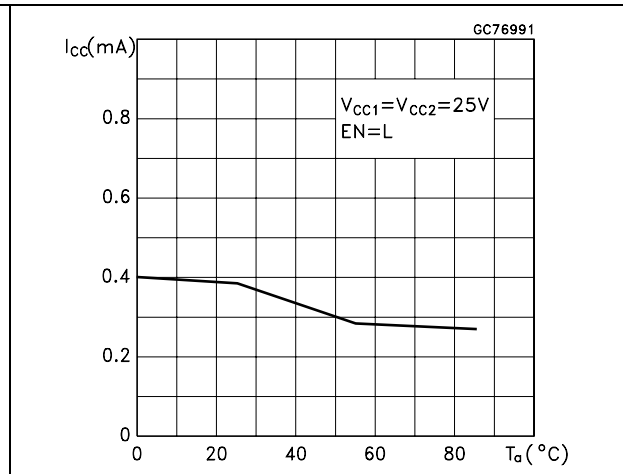


Figure 17. Dynamic overload protection (I_{SC} vs time)

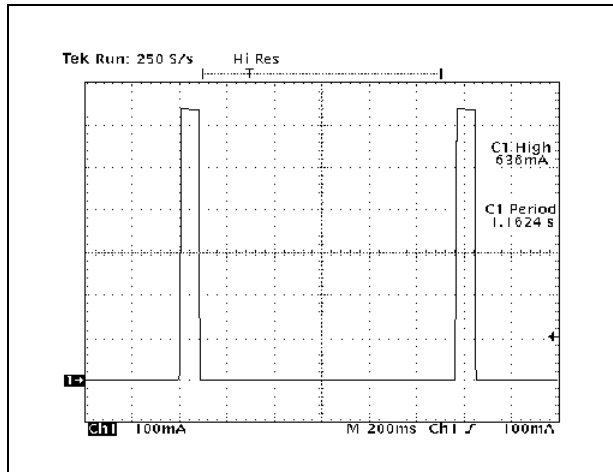


Figure 18. Tone enable

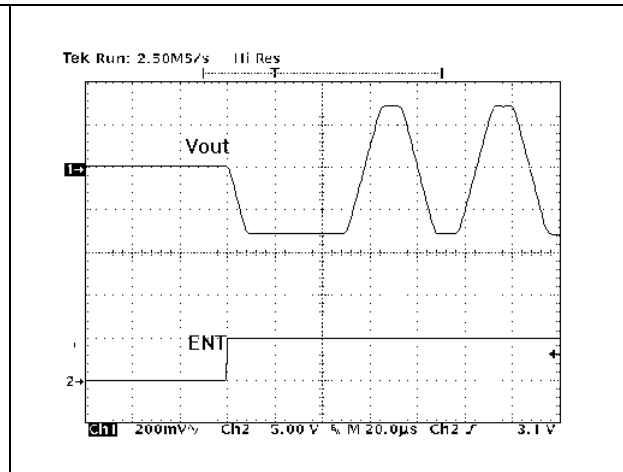


Figure 19. Tone disable

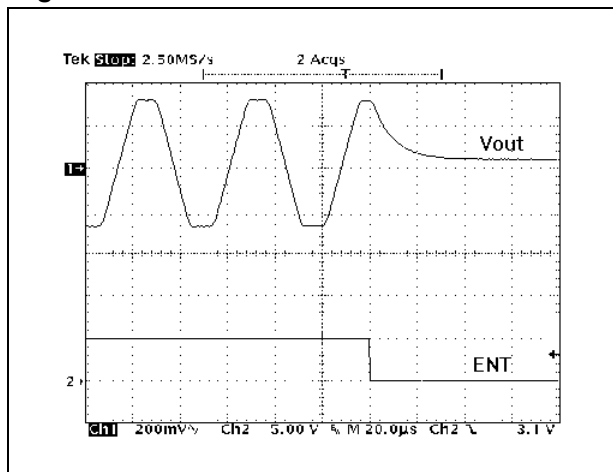


Figure 20. 22KHz Tone

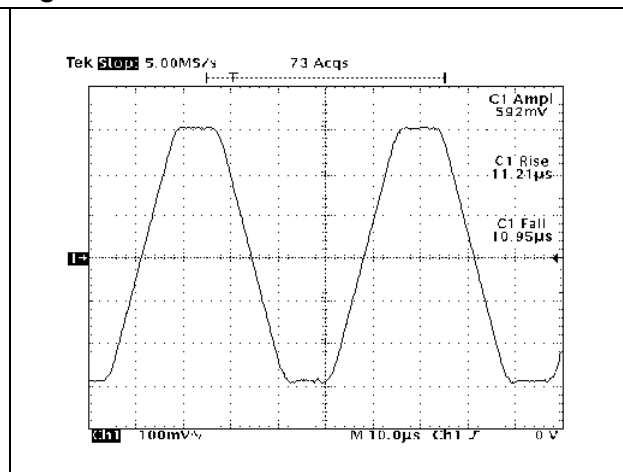


Figure 21. Enable time

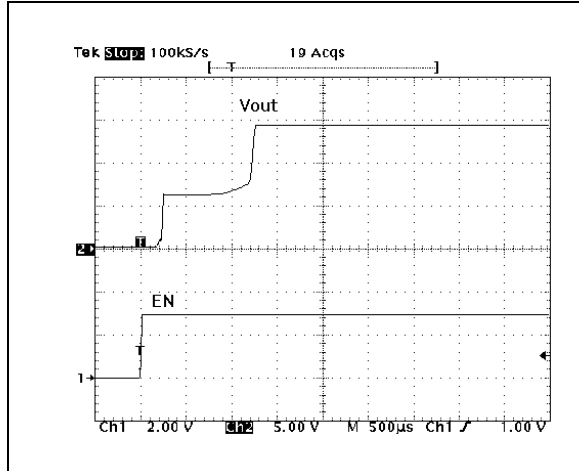


Figure 22. Disable time

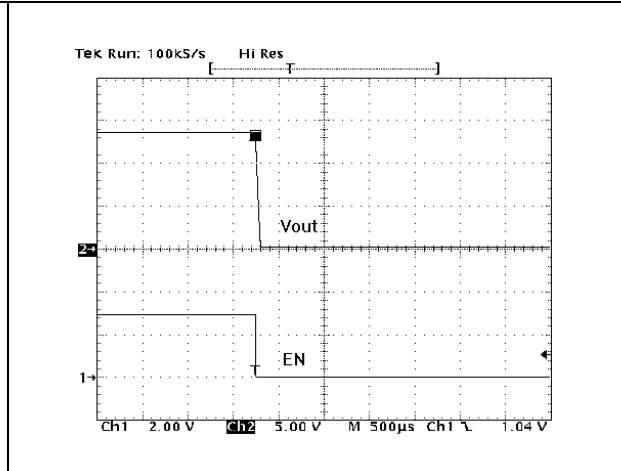


Figure 23. 18V to 13V Change

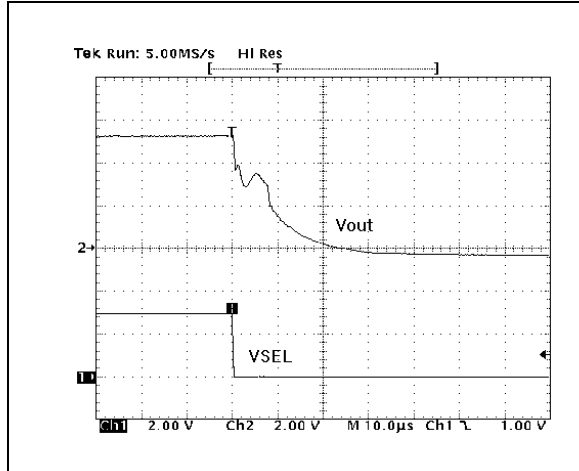
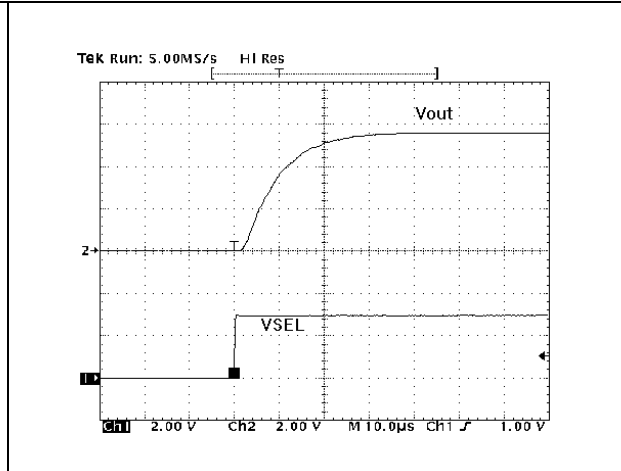


Figure 24. 18V to 13V Change



7 Typical application schematics

Figure 25. Two antenna ports receiver

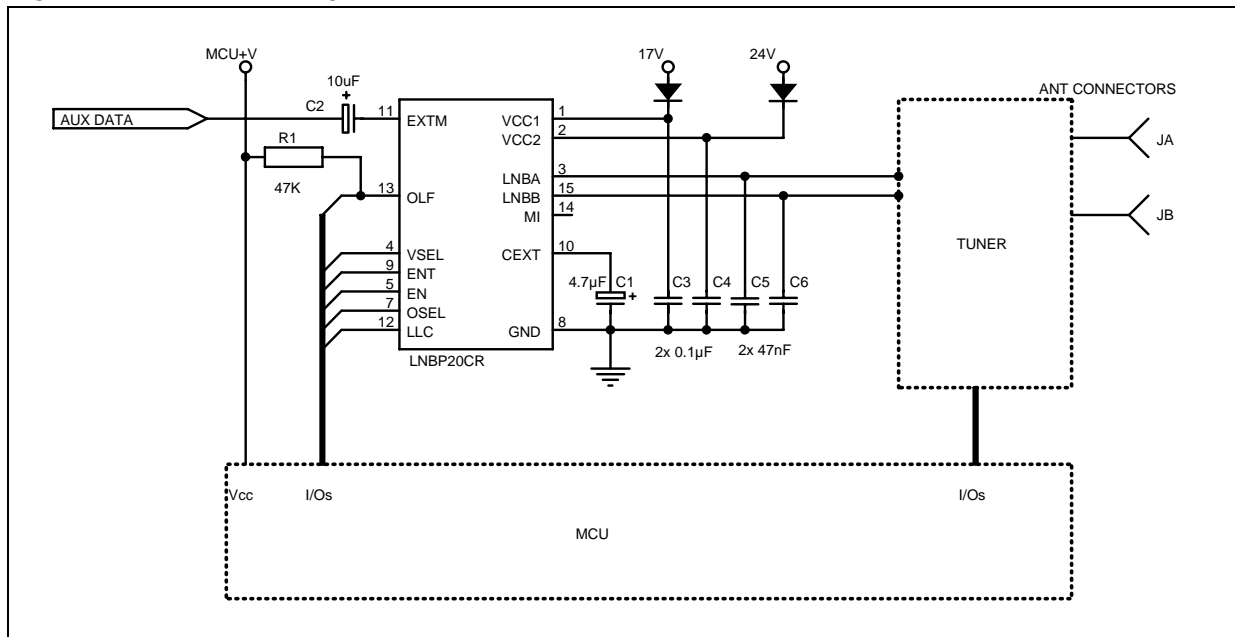


Figure 26. Single antenna receiver with master receiver port

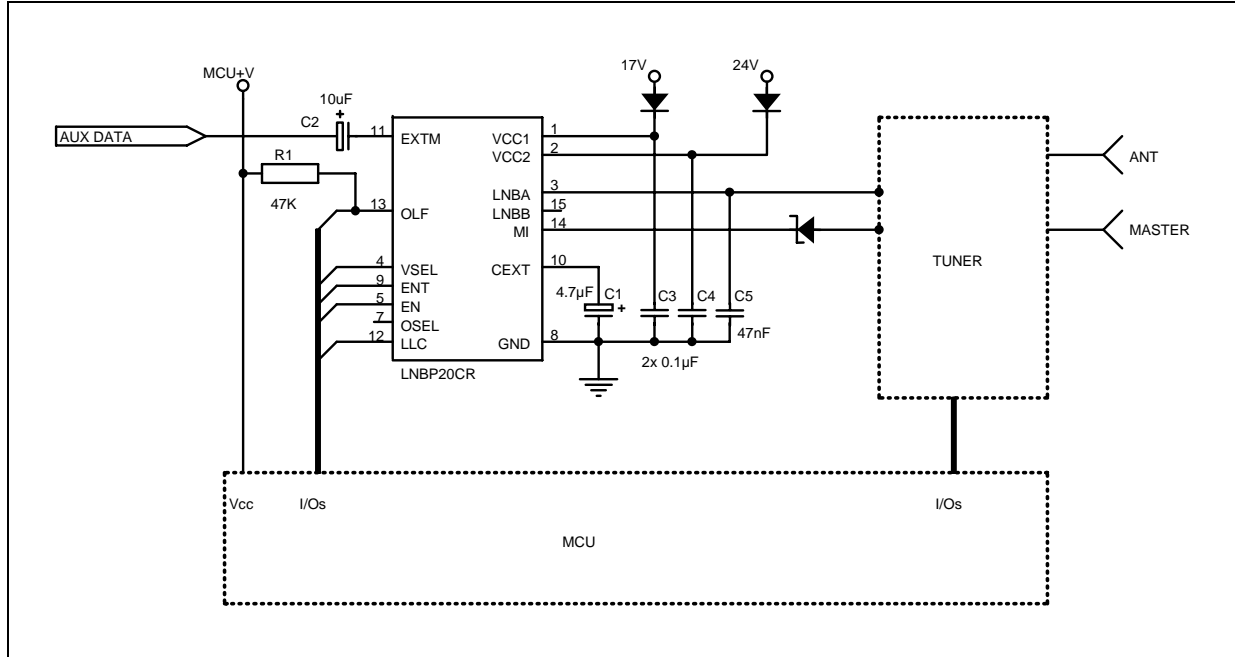


Figure 27. Using serial bus to save MPU I/os

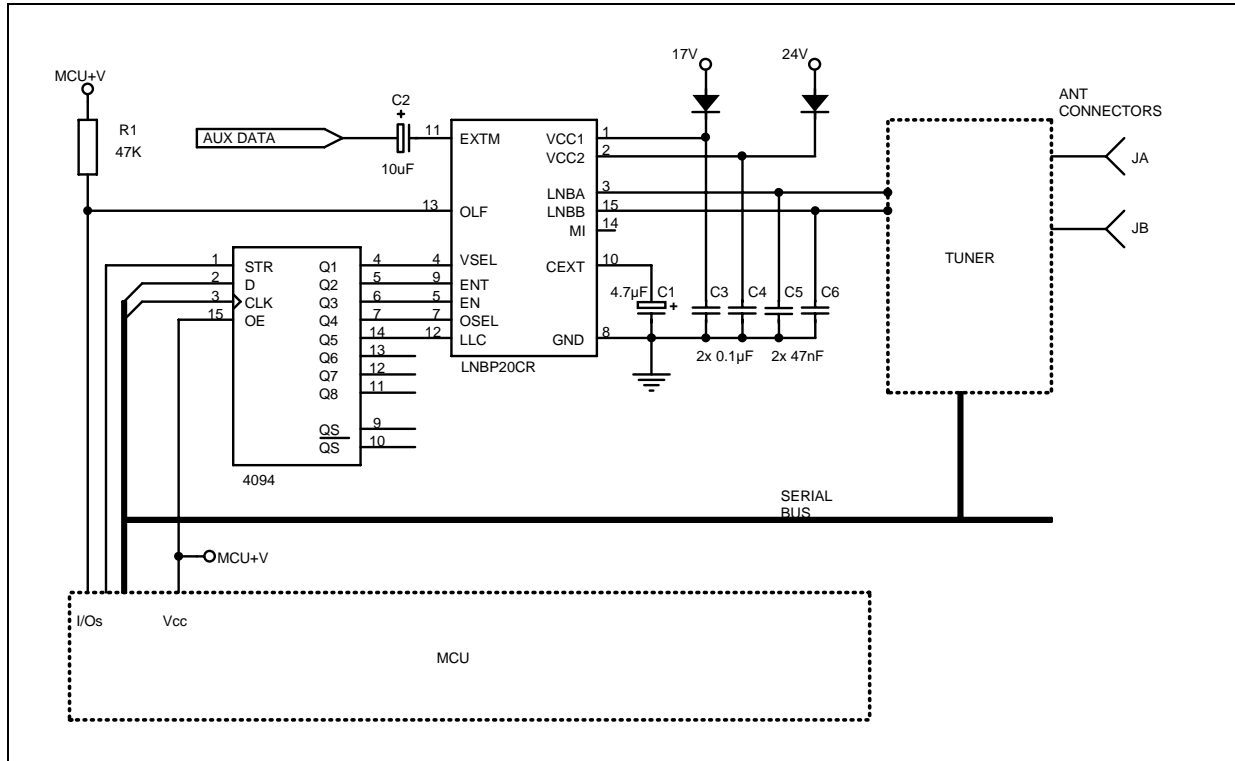


Figure 28. Two antenna ports receiver - low cost solution

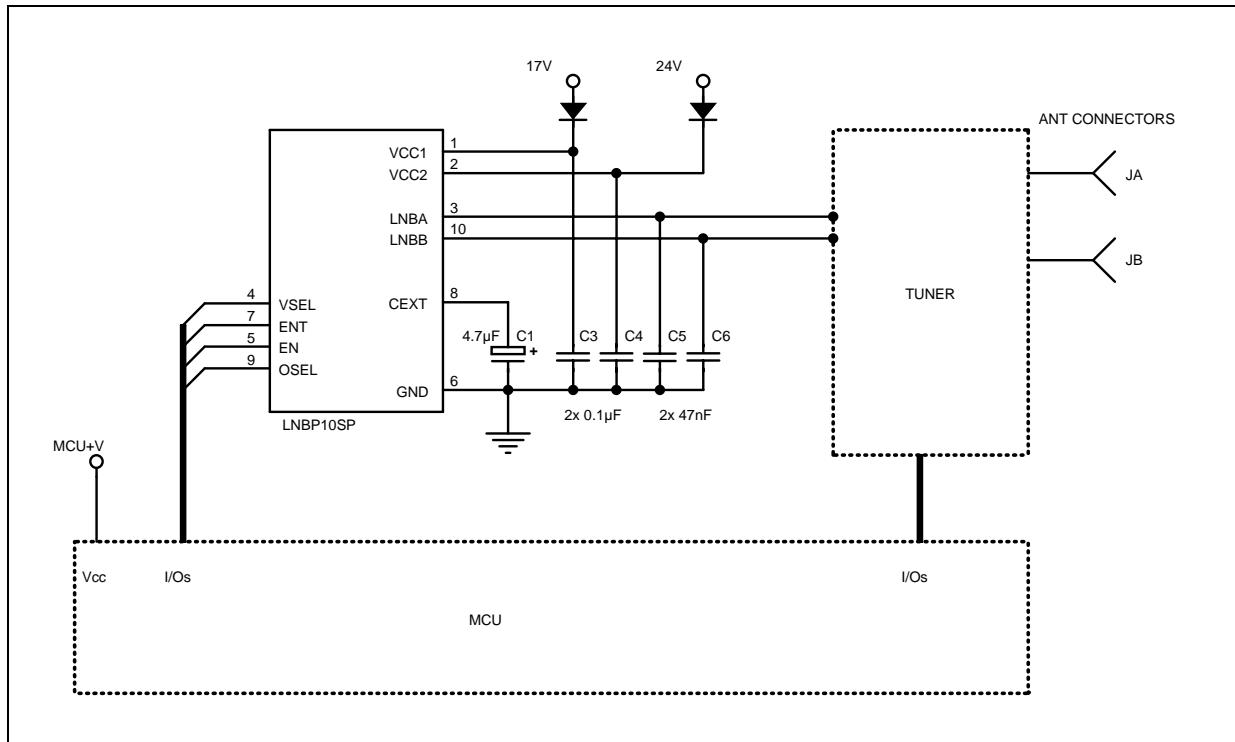


Figure 29. Connecting together V_{CC1} and V_{CC2}

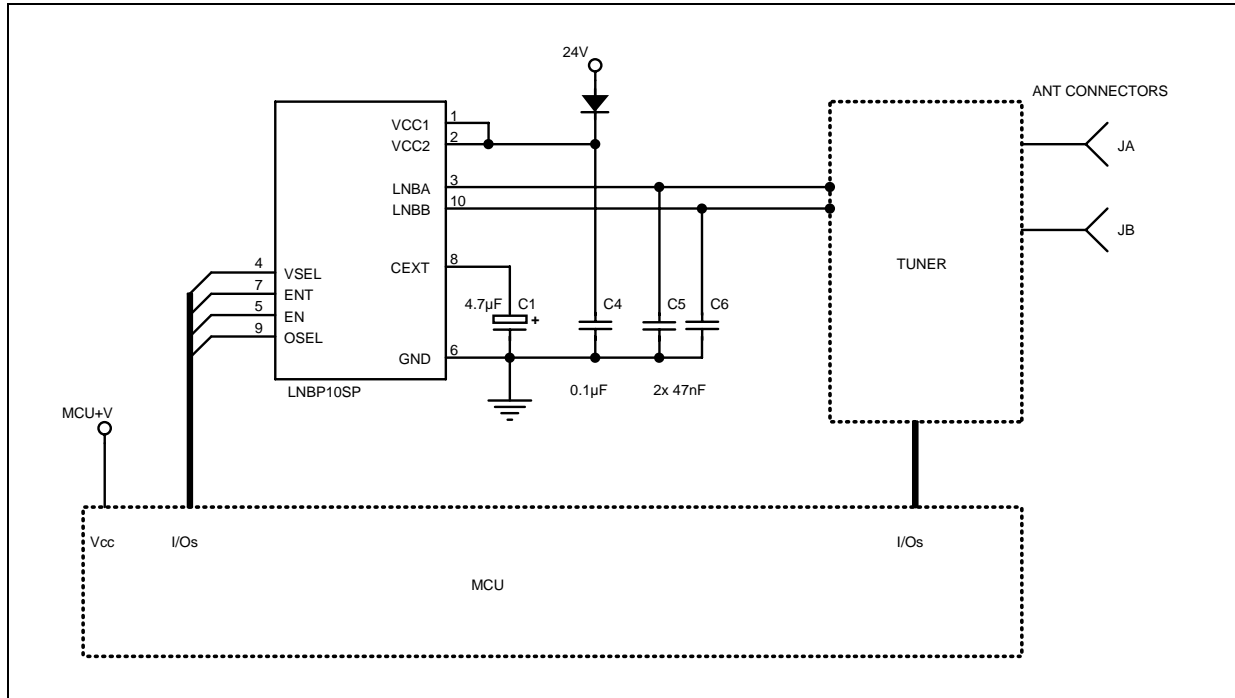


Figure 30. Single antenna receiver with master receiver port - low cost solution

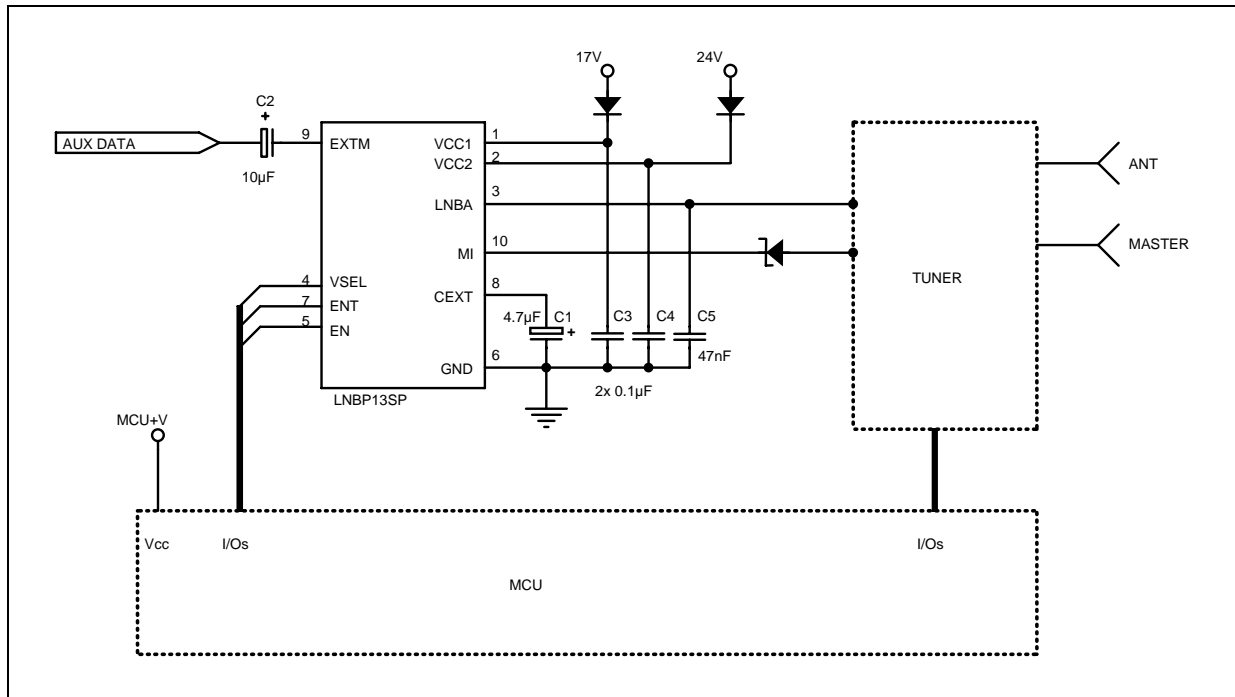
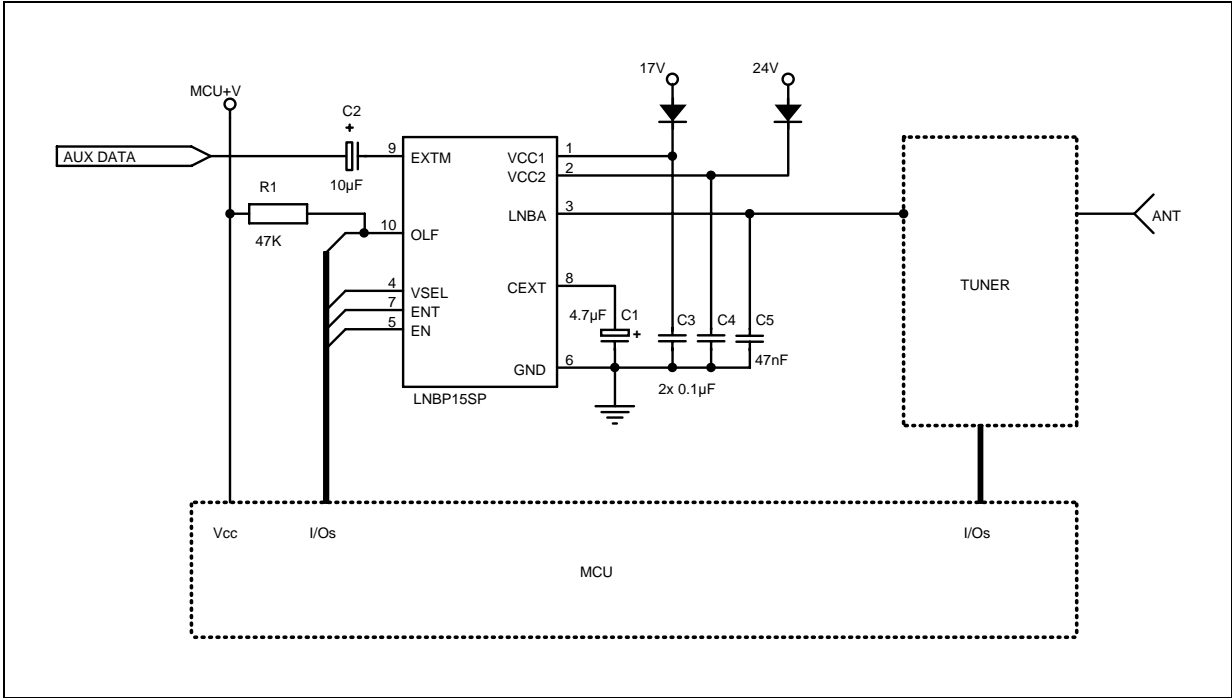


Figure 31. Single antenna receiver with overload diagnostic



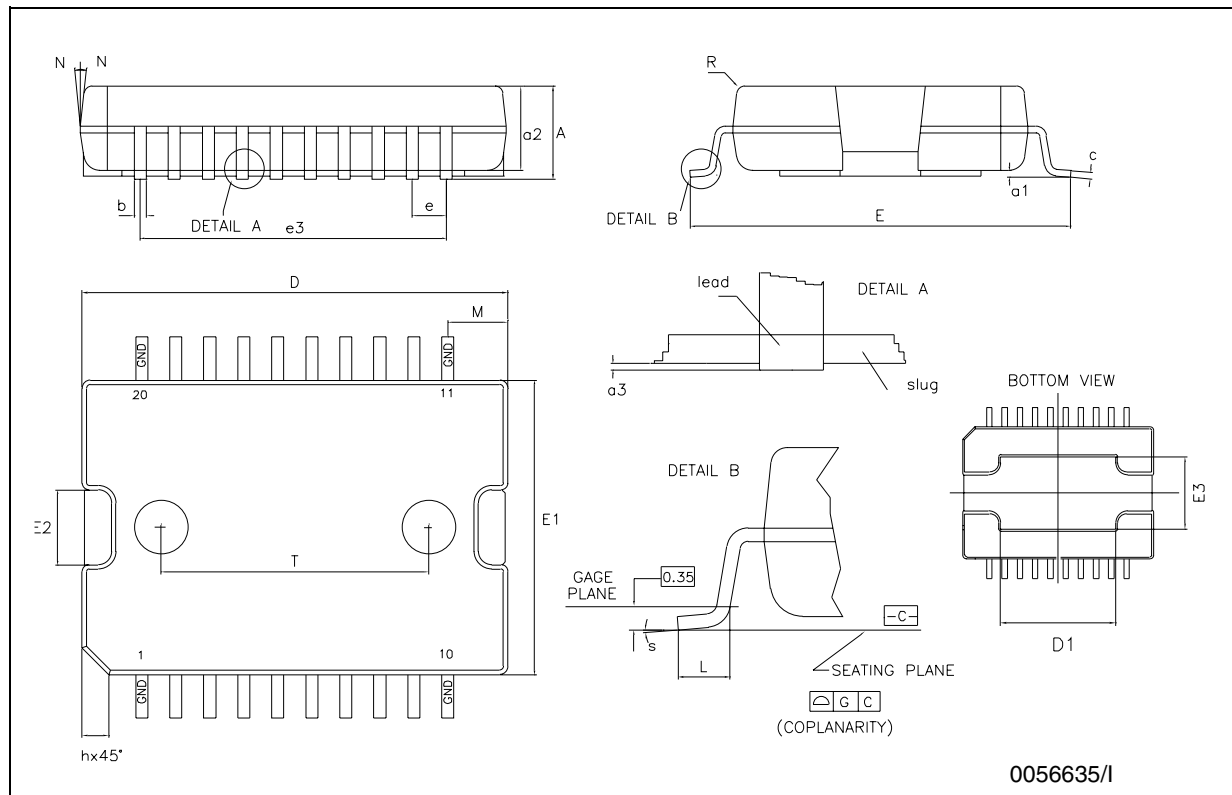
8 Package mechanical data

In order to meet environmental requirements, ST offers these devices in ECOPACK[®] packages. These packages have a Lead-free second level interconnect. The category of second Level Interconnect is marked on the package and on the inner box label, in compliance with JEDEC Standard JESD97. The maximum ratings related to soldering conditions are also marked on the inner box label. ECOPACK is an ST trademark. ECOPACK specifications are available at: www.st.com.

PowerSO-20 MECHANICAL DATA

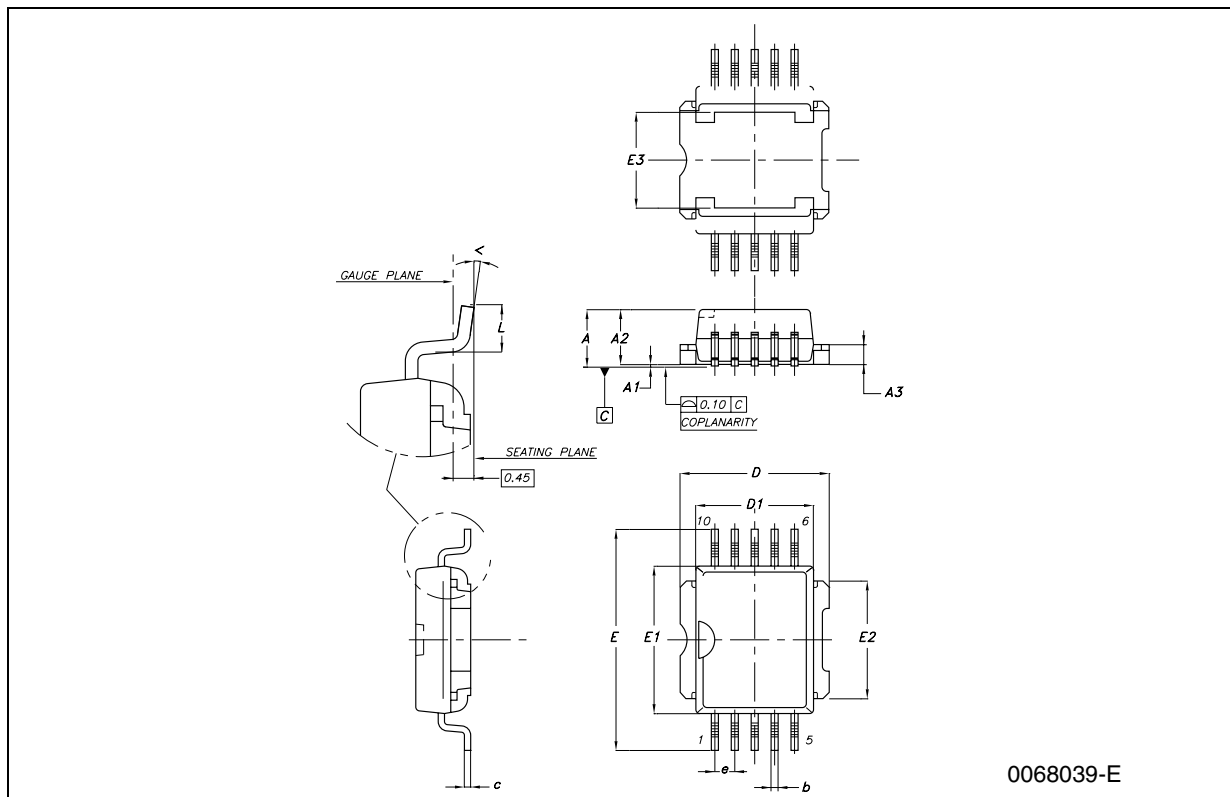
DIM.	mm.			inch		
	MIN.	TYP	MAX.	MIN.	TYP.	MAX.
A			3.60			0.1417
a1	0.10		0.30	0.0039		0.0118
a2			3.30			0.1299
a3	0		0.10	0		0.0039
b	0.40		0.53	0.0157		0.0209
c	0.23		0.32	0.0090		0.0013
D (1)	15.80		16.00	0.6220		0.630
E	13.90		14.50	0.5472		0.5710
e		1.27			0.0500	
e3		11.43			0.4500	
E1 (1)	10.90		11.10	0.4291		0.4370
E2			2.90			0.1141
E3	5.8		6.2	0.2283		0.2441
G	0		0.10	0.0000		0.0039
H	15.5		15.9	0.6102		0.6260
h			1.10			0.0433
L	0.80		1.10	0.0314		0.0433
N			10°			10°
S	0°		8°	0°		8°
T		10.0			0.3937	

(1) "D and E1" do not include mold flash or protusions - Mold flash or protusions shall not exceed 0.15mm (0.006")



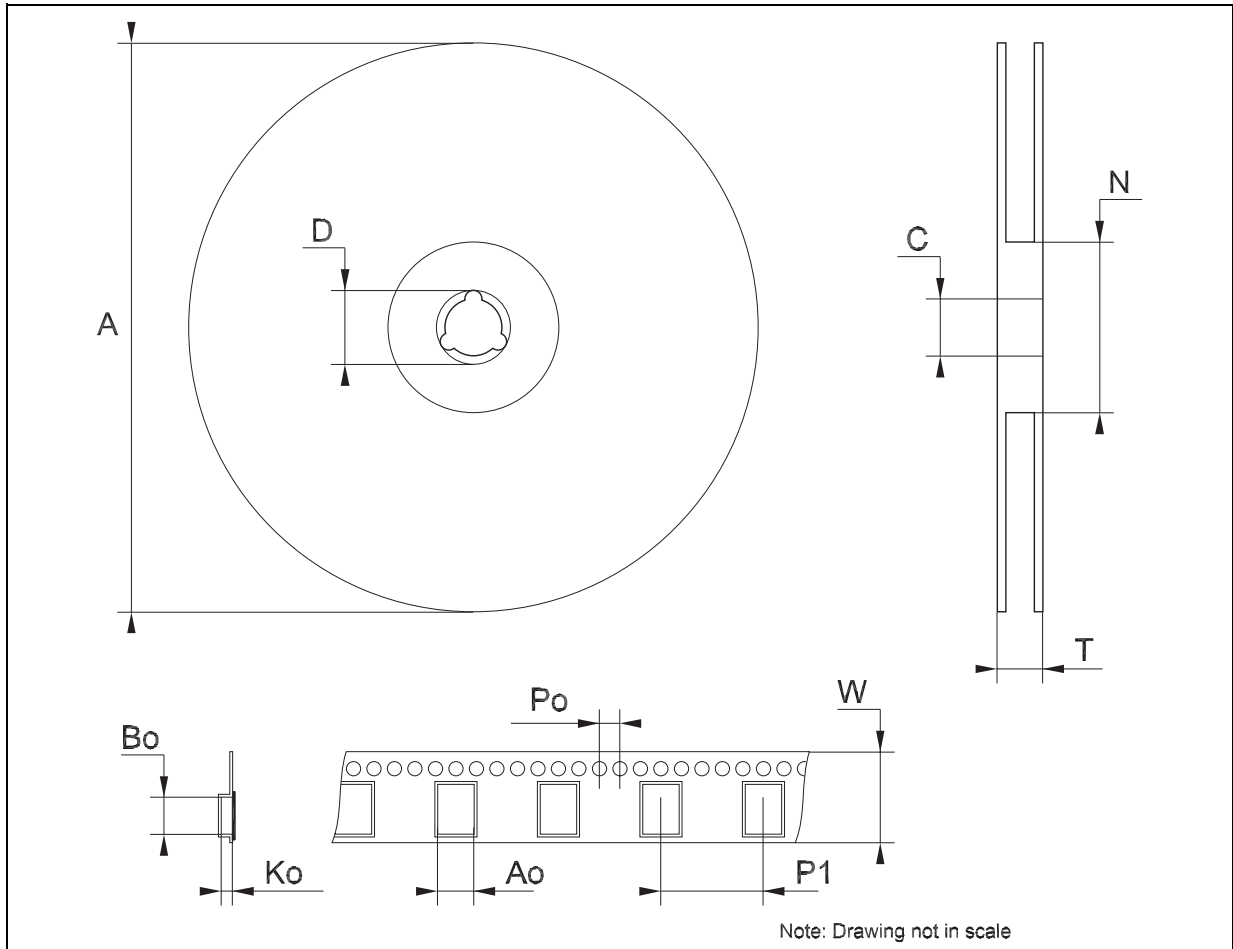
PowerSO-10 MECHANICAL DATA

DIM.	mm.			inch		
	MIN.	TYP	MAX.	MIN.	TYP.	MAX.
A			3.70			0.146
A1			0.10			0.004
A2	3.40		3.60	0.134		0.142
A3	1.25		1.35	0.049		0.053
b	0.40		0.53	0.016		0.021
c	0.35		0.55	0.014		0.022
D	9.40		9.60	0.370		0.378
D1	7.40		7.60	0.291		0.299
E	13.80		14.40	0.543		0.567
E1	9.30		9.50	0.366		0.374
E2	7.20		7.60	0.283		0.299
E3	5.90		6.10	0.232		0.240
e		1.27			0.050	
L	0.95		1.65	0.037		0.065
α	0°		8°	0°		8°



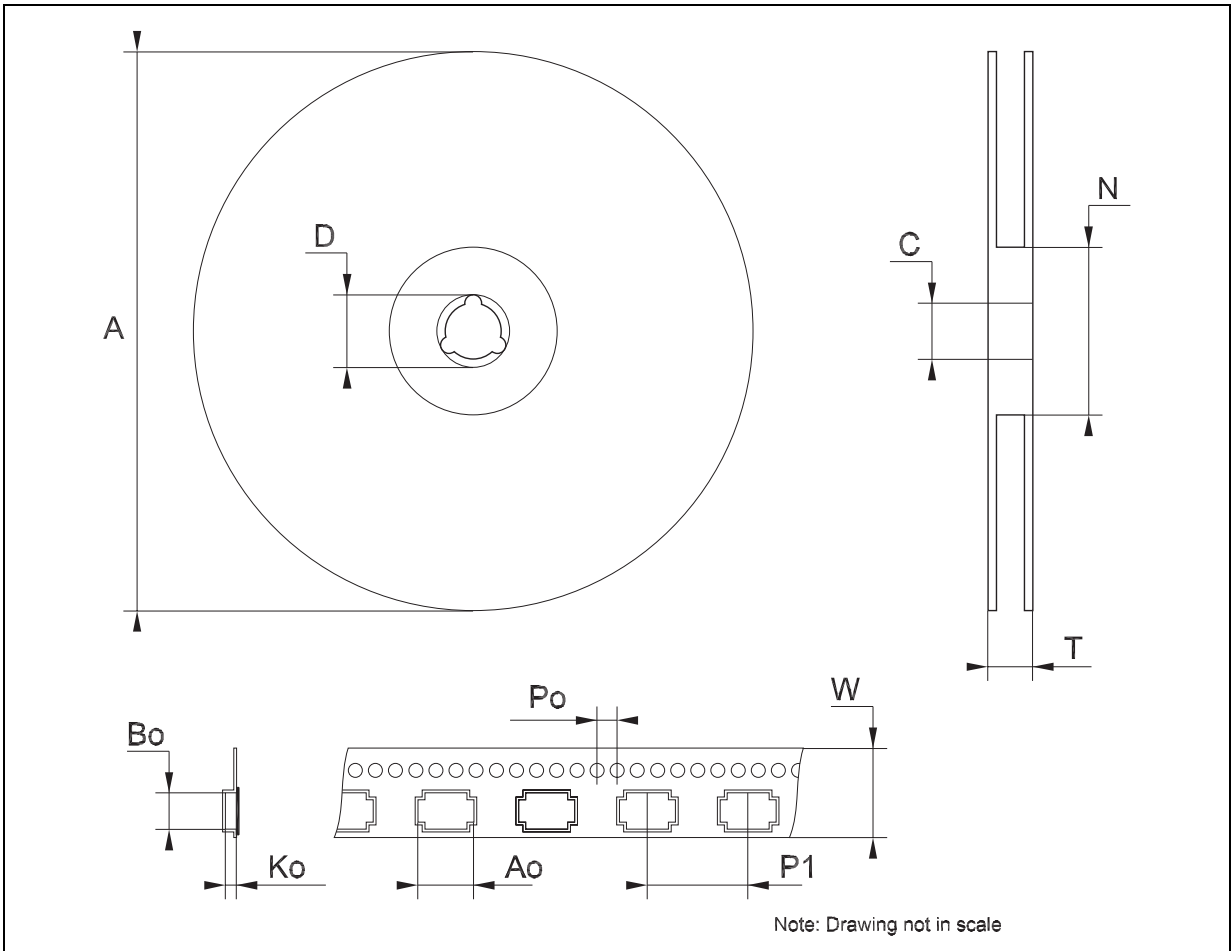
Tape & Reel PowerSO-20 MECHANICAL DATA

DIM.	mm.			inch		
	MIN.	TYP	MAX.	MIN.	TYP.	MAX.
A			330			12.992
C	12.8		13.2	0.504		0.519
D	20.2			0.795		
N	60			2.362		
T			30.4			1.197
Ao	15.1		15.3	0.594		0.602
Bo	16.5		16.7	0.650		0.658
Ko	3.8		4.0	0.149		0.157
Po	3.9		4.1	0.153		0.161
P	23.9		24.1	0.941		0.949
W	23.7		24.3	0.933		0.957



Tape & Reel PowerSO10 MECHANICAL DATA

DIM.	mm.			inch		
	MIN.	TYP	MAX.	MIN.	TYP.	MAX.
A			330			12.992
C	12.8		13.2	0.504		0.519
D	20.2			0.795		
N	60			2.362		
T			30.4			1.197
Ao	14.9		15.1	0.587		0.594
Bo	9.9		10.1	0.390		0.398
Ko	4.15		4.35	0.163		0.171
Po	3.9		4.1	0.153		0.161
P	23.9		24.1	0.941		0.949
W	23.7		24.3	0.933		0.957



9 Revision history

Table 6. Revision history

Date	Revision	Changes
08-Jun-2004	7	Typing Error V_{O1} and V_{O2} on Table 6 - Page 6.
21-Dec-2004	8	Table 2 has been updated on GND row.
07-Sep-2006	9	Add value V_O on table 2 and new template.
03-May-2007	10	Order codes has been updated.

Please Read Carefully:

Information in this document is provided solely in connection with ST products. STMicroelectronics NV and its subsidiaries ("ST") reserve the right to make changes, corrections, modifications or improvements, to this document, and the products and services described herein at any time, without notice.

All ST products are sold pursuant to ST's terms and conditions of sale.

Purchasers are solely responsible for the choice, selection and use of the ST products and services described herein, and ST assumes no liability whatsoever relating to the choice, selection or use of the ST products and services described herein.

No license, express or implied, by estoppel or otherwise, to any intellectual property rights is granted under this document. If any part of this document refers to any third party products or services it shall not be deemed a license grant by ST for the use of such third party products or services, or any intellectual property contained therein or considered as a warranty covering the use in any manner whatsoever of such third party products or services or any intellectual property contained therein.

UNLESS OTHERWISE SET FORTH IN ST'S TERMS AND CONDITIONS OF SALE ST DISCLAIMS ANY EXPRESS OR IMPLIED WARRANTY WITH RESPECT TO THE USE AND/OR SALE OF ST PRODUCTS INCLUDING WITHOUT LIMITATION IMPLIED WARRANTIES OF MERCHANTABILITY, FITNESS FOR A PARTICULAR PURPOSE (AND THEIR EQUIVALENTS UNDER THE LAWS OF ANY JURISDICTION), OR INFRINGEMENT OF ANY PATENT, COPYRIGHT OR OTHER INTELLECTUAL PROPERTY RIGHT.

UNLESS EXPRESSLY APPROVED IN WRITING BY AN AUTHORIZED ST REPRESENTATIVE, ST PRODUCTS ARE NOT RECOMMENDED, AUTHORIZED OR WARRANTED FOR USE IN MILITARY, AIR CRAFT, SPACE, LIFE SAVING, OR LIFE SUSTAINING APPLICATIONS, NOR IN PRODUCTS OR SYSTEMS WHERE FAILURE OR MALFUNCTION MAY RESULT IN PERSONAL INJURY, DEATH, OR SEVERE PROPERTY OR ENVIRONMENTAL DAMAGE. ST PRODUCTS WHICH ARE NOT SPECIFIED AS "AUTOMOTIVE GRADE" MAY ONLY BE USED IN AUTOMOTIVE APPLICATIONS AT USER'S OWN RISK.

Resale of ST products with provisions different from the statements and/or technical features set forth in this document shall immediately void any warranty granted by ST for the ST product or service described herein and shall not create or extend in any manner whatsoever, any liability of ST.

ST and the ST logo are trademarks or registered trademarks of ST in various countries.

Information in this document supersedes and replaces all information previously supplied.

The ST logo is a registered trademark of STMicroelectronics. All other names are the property of their respective owners.

© 2007 STMicroelectronics - All rights reserved

STMicroelectronics group of companies

Australia - Belgium - Brazil - Canada - China - Czech Republic - Finland - France - Germany - Hong Kong - India - Israel - Italy - Japan - Malaysia - Malta - Morocco - Singapore - Spain - Sweden - Switzerland - United Kingdom - United States of America

www.st.com

Looking for pricing, stock, or lifecycle information?

Click below to explore more details on WIN SOURCE:

 [View LNBP20PD-TR on WIN SOURCE](#)

 [STMicroelectronics](#) Information

Optimize Your Supply Chain with WIN SOURCE Solutions

-  Global Sourcing Solution
-  Obsolete Management
-  Cost Control Management
-  Shortage Management
-  Alternative Solution
-  Excess Inventory Management