



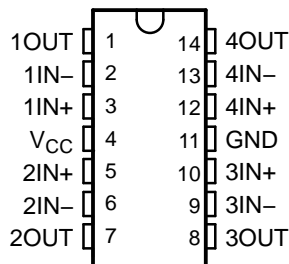
THE DATASHEET OF LP324N



FEATURES

- Low Supply Current . . . 85 μ A Typ
- Low Offset Voltage . . . 2 mV Typ
- Low Input Bias Current . . . 2 nA Typ
- Input Common Mode to GND
- Wide Supply Voltage . . . 3 V < V_{CC} < 32 V
- Pin Compatible With LM324
- Applications
 - LCD Displays
 - Portable Instrumentation
 - Sensor/Metering Equipment
 - Consumer Electronics (MP3 Players, Toys, Etc.)
 - Power Supplies

D, N, OR PW PACKAGE
(TOP VIEW)



DESCRIPTION/ORDERING INFORMATION

The LP324 and LP2902 are quadruple low-power operational amplifiers especially suited for battery-operated applications. Good input specifications and wide supply-voltage range still are achieved, despite the ultra-low supply current. Single-supply operation is achieved with an input common-mode range that includes GND.

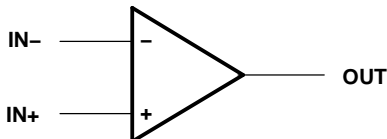
The LP324 and LP2902 are ideal in applications where wide supply voltage and low power are more important than speed and bandwidth. These applications include portable instrumentation, LCD displays, consumer electronics (MP3 players, toys, etc.), and power supplies.

ORDERING INFORMATION

T_A	PACKAGE ⁽¹⁾		ORDERABLE PART NUMBER	TOP-SIDE MARKING
0°C to 70°C	PDIP – N	Tube of 25	LP324N	LP324N
	SOIC – D	Tube of 50	LP324D	LP324
		Reel of 2500	LP324DR	
	TSSOP – PW	Tube of 90	LP324PW	LP324
Reel of 2000		LP324PWR		
–40°C to 85°C	PDIP – N	Tube of 25	LP2902N	LP2902N
	SOIC – D	Tube of 50	LP2902D	LP2902
		Reel of 2500	LP2902DR	
	TSSOP – PW	Tube of 50	LP2902PW	LP2902
		Reel of 2500	LP2902PWR	

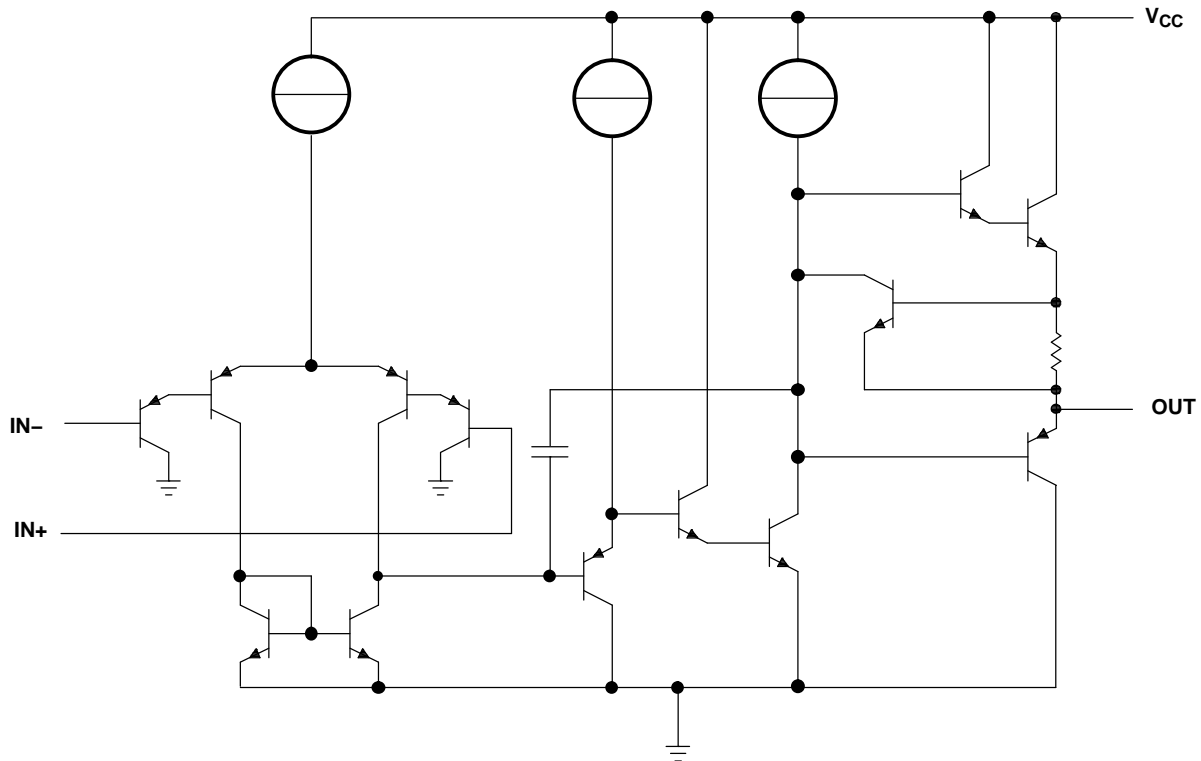
(1) Package drawings, standard packing quantities, thermal data, symbolization, and PCB design guidelines are available at www.ti.com/sc/package.

SYMBOL (EACH AMPLIFIER)



Please be aware that an important notice concerning availability, standard warranty, and use in critical applications of Texas Instruments semiconductor products and disclaimers thereto appears at the end of this data sheet.

SCHEMATIC (EACH AMPLIFIER)



Absolute Maximum Ratings⁽¹⁾

over operating free-air temperature range (unless otherwise noted)

		MIN	MAX	UNIT
V_{CC}	Supply voltage range ⁽²⁾		±16 or 32	V
V_{ID}	Differential input voltage ⁽³⁾		±32	V
V_I	Input voltage (either input)	-0.3	32	V
Duration of output short circuit (one amplifier) to ground at (or below) $T_A = 25^\circ\text{C}$, $V_{CC} \leq 15\text{ V}$ ⁽⁴⁾			Unlimited	
θ_{JA}	Package thermal impedance ⁽⁵⁾⁽⁶⁾	D package		°C/W
		N package		
		PW package		
T_J	Operating virtual junction temperature		150	°C
T_{stg}	Storage temperature range	-65	150	°C

- (1) Stresses beyond those listed under "absolute maximum ratings" may cause permanent damage to the device. These are stress ratings only, and functional operation of the device at these or any other conditions beyond those indicated under "recommended operating conditions" is not implied. Exposure to absolute-maximum-rated conditions for extended periods may affect device reliability.
- (2) All voltage values (except differential voltages and V_{CC} specified for the measurement of I_{OS}) are with respect to the network GND.
- (3) Differential voltages are at IN+, with respect to IN-.
- (4) Short circuits from outputs to V_{CC} can cause excessive heating and eventual destruction.
- (5) Maximum power dissipation is a function of $T_J(\text{max})$, θ_{JA} , and T_A . The maximum allowable power dissipation at any allowable ambient temperature is $P_D = (T_J(\text{max}) - T_A)/\theta_{JA}$. Operating at the absolute maximum T_J of 150°C can affect reliability.
- (6) The package thermal impedance is calculated in accordance with JESD 51-7.

ESD Protection

TEST CONDITIONS	TYP	UNIT
Human-Body Model	±2	kV

Electrical Characteristics

$T_A = 25^\circ\text{C}$, $V_{CC} = 5\text{ V}$, $V_{IC} = V_{CC}/2$, $R_L = 100\text{ k}\Omega$ to GND (unless otherwise noted)

PARAMETER	TEST CONDITIONS ⁽¹⁾	T_A ⁽²⁾	LP324		LP2902		UNIT
			MIN	TYP ⁽³⁾	MAX	MIN	
V_{IO} Input offset voltage		25°C	2	4	2	4	mV
		Full range		9		10	
I_{IB} Input bias current		25°C	2	10	2	20	nA
		Full range		20		40	
I_{IO} Input offset current		25°C	0.2	2	0.5	4	nA
		Full range		4		8	
A_V Large-signal voltage gain	$R_L = 10\text{ k}\Omega$ to GND, $V_{CC} = 30\text{ V}$	25°C	50	100	40	70	V/mV
		Full range	40		30		
CMRR Common-mode rejection ratio	$V_{CC} = 30\text{ V}$, $V_{IC} = 0\text{ V}$ to $V_{CC} - 1.5\text{ V}$	25°C	80	90	80	90	dB
		Full range	75		75		
k_{VSR} Power-supply rejection ratio	$V_{CC} = 5\text{ V}$ to 30 V	25°C	80	90	80	90	V
		Full range	75		75		
I_{CC} Supply current	$R_L = \infty$	25°C	85	150	85	150	μA
		Full range		250		275	
V_{OH} Output voltage swing (high)	$I_L = 0.35\text{ mA}$ to GND, $V_{IC} = 0\text{ V}$	25°C	3.4	3.6	3.4	3.6	V
		Full range	$V_{CC} - 1.9$		$V_{CC} - 1.9$		
V_{OL} Output voltage swing (low)	$I_L = 0.35\text{ mA}$ from V_{CC} , $V_{IC} = 0\text{ V}$	25°C	0.82	0.7	0.82	0.7	V
		Full range	1		1		
I_O Output source current	$V_O = 3\text{ V}$, $V_{ID} = 1\text{ V}$	25°C	7	10	7	10	mA
		Full range	4		4		
I_O Output sink current	$V_O = 1.5\text{ V}$, $V_{ID} = -1\text{ V}$	25°C	4	5	4	5	mA
		Full range	3		3		
	$V_O = 1.5\text{ V}$, $V_{ID} = -1\text{ V}$, $V_{IC} = 0\text{ V}$	25°C	2	4	2	4	
		Full range	1		1		
$I_{OS,GND}$ Output short to GND	$V_{ID} = 1\text{ V}$	25°C	20	35	20	35	mA
		Full range		40		40	
$I_{OS,VCC}$ Output short to V_{CC}	$V_{ID} = -1\text{ V}$	25°C	15	30	15	30	mA
		Full range		45		45	
∞V_{IO} Input offset voltage drift		25°C	10		10	$\mu\text{V}/^\circ\text{C}$	
∞I_{IO} Input offset current drift		25°C	10		10	$\text{pA}/^\circ\text{C}$	

(1) For full-range temperature limits: $V_{CC} = 3\text{ V}$ to 32 V , $V_{ICR} = 0\text{ V}$ to $V_{CC} - 1.5\text{ V}$ (unless otherwise noted)

(2) Full range is 0°C to 70°C for LP324 and -40°C to 85°C for LP2902.

(3) All typical values are at $T_A = 25^\circ\text{C}$.

Operating Conditions

$V_{CC} = \pm 15\text{ V}$, $T_A = 25^\circ\text{C}$

PARAMETER		TYP	UNIT
GBW	Gain bandwidth product	100	kHz
SR	Slew rate	50	V/ms

PACKAGING INFORMATION

Orderable Device	Status (1)	Package Type	Package Drawing	Pins	Package Qty	Eco Plan (2)	Lead finish/ Ball material (6)	MSL Peak Temp (3)	Op Temp (°C)	Device Marking (4/5)	Samples
LP2902DR	ACTIVE	SOIC	D	14	2500	RoHS & Green	NIPDAU	Level-1-260C-UNLIM	-40 to 85	LP2902	Samples
LP2902N	ACTIVE	PDIP	N	14	25	RoHS & Green	NIPDAU	N / A for Pkg Type	-40 to 85	LP2902N	Samples
LP2902PWR	ACTIVE	TSSOP	PW	14	2000	RoHS & Green	NIPDAU	Level-1-260C-UNLIM	-40 to 85	LP2902	Samples
LP2902PWRE4	ACTIVE	TSSOP	PW	14	2000	TBD	Call TI	Call TI	-40 to 85		Samples
LP324DR	ACTIVE	SOIC	D	14	2500	RoHS & Green	NIPDAU SN	Level-1-260C-UNLIM	0 to 70	LP324	Samples
LP324DRG4	ACTIVE	SOIC	D	14	2500	RoHS & Green	NIPDAU	Level-1-260C-UNLIM	0 to 70	LP324	Samples
LP324N	ACTIVE	PDIP	N	14	25	RoHS & Green	NIPDAU	N / A for Pkg Type	0 to 70	LP324N	Samples
LP324PWR	ACTIVE	TSSOP	PW	14	2000	RoHS & Green	NIPDAU	Level-1-260C-UNLIM	0 to 70	LP324	Samples

(1) The marketing status values are defined as follows:

ACTIVE: Product device recommended for new designs.

LIFEBUY: TI has announced that the device will be discontinued, and a lifetime-buy period is in effect.

NRND: Not recommended for new designs. Device is in production to support existing customers, but TI does not recommend using this part in a new design.

PREVIEW: Device has been announced but is not in production. Samples may or may not be available.

OBSOLETE: TI has discontinued the production of the device.

(2) **RoHS:** TI defines "RoHS" to mean semiconductor products that are compliant with the current EU RoHS requirements for all 10 RoHS substances, including the requirement that RoHS substance do not exceed 0.1% by weight in homogeneous materials. Where designed to be soldered at high temperatures, "RoHS" products are suitable for use in specified lead-free processes. TI may reference these types of products as "Pb-Free".

RoHS Exempt: TI defines "RoHS Exempt" to mean products that contain lead but are compliant with EU RoHS pursuant to a specific EU RoHS exemption.

Green: TI defines "Green" to mean the content of Chlorine (Cl) and Bromine (Br) based flame retardants meet JS709B low halogen requirements of <=1000ppm threshold. Antimony trioxide based flame retardants must also meet the <=1000ppm threshold requirement.

(3) MSL, Peak Temp. - The Moisture Sensitivity Level rating according to the JEDEC industry standard classifications, and peak solder temperature.

(4) There may be additional marking, which relates to the logo, the lot trace code information, or the environmental category on the device.

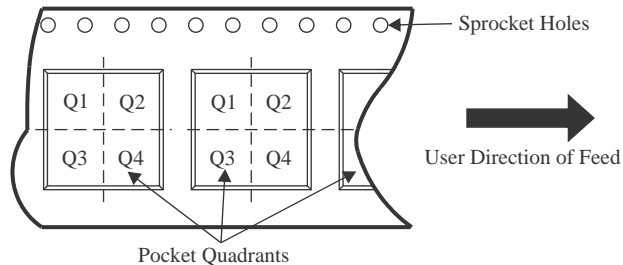
(5) Multiple Device Markings will be inside parentheses. Only one Device Marking contained in parentheses and separated by a "~" will appear on a device. If a line is indented then it is a continuation of the previous line and the two combined represent the entire Device Marking for that device.

⁽⁶⁾ Lead finish/Ball material - Orderable Devices may have multiple material finish options. Finish options are separated by a vertical ruled line. Lead finish/Ball material values may wrap to two lines if the finish value exceeds the maximum column width.

Important Information and Disclaimer: The information provided on this page represents TI's knowledge and belief as of the date that it is provided. TI bases its knowledge and belief on information provided by third parties, and makes no representation or warranty as to the accuracy of such information. Efforts are underway to better integrate information from third parties. TI has taken and continues to take reasonable steps to provide representative and accurate information but may not have conducted destructive testing or chemical analysis on incoming materials and chemicals. TI and TI suppliers consider certain information to be proprietary, and thus CAS numbers and other limited information may not be available for release.

In no event shall TI's liability arising out of such information exceed the total purchase price of the TI part(s) at issue in this document sold by TI to Customer on an annual basis.

TAPE AND REEL INFORMATION

QUADRANT ASSIGNMENTS FOR PIN 1 ORIENTATION IN TAPE


*All dimensions are nominal

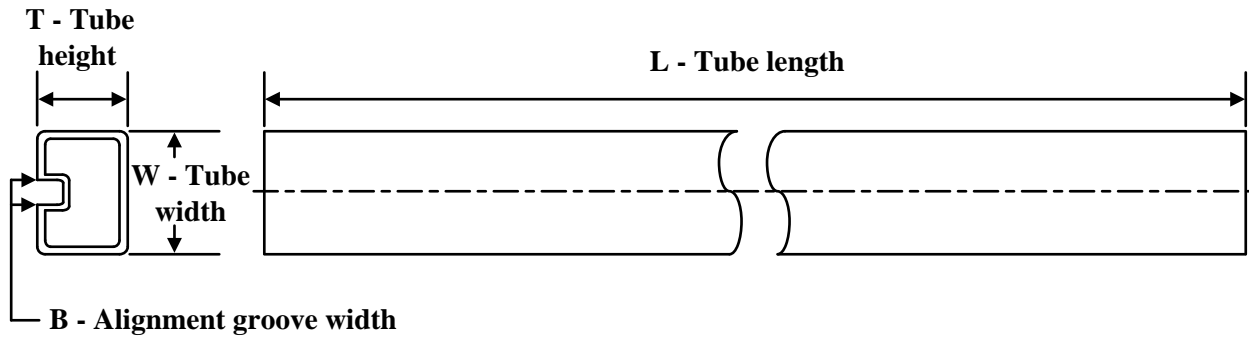
Device	Package Type	Package Drawing	Pins	SPQ	Reel Diameter (mm)	Reel Width W1 (mm)	A0 (mm)	B0 (mm)	K0 (mm)	P1 (mm)	W (mm)	Pin1 Quadrant
LP2902DR	SOIC	D	14	2500	330.0	16.4	6.5	9.0	2.1	8.0	16.0	Q1
LP2902PWR	TSSOP	PW	14	2000	330.0	12.4	6.9	5.6	1.6	8.0	12.0	Q1
LP324DR	SOIC	D	14	2500	330.0	16.4	6.5	9.0	2.1	8.0	16.0	Q1
LP324DRG4	SOIC	D	14	2500	330.0	16.4	6.5	9.0	2.1	8.0	16.0	Q1
LP324PWR	TSSOP	PW	14	2000	330.0	12.4	6.9	5.6	1.6	8.0	12.0	Q1

TAPE AND REEL BOX DIMENSIONS



*All dimensions are nominal

Device	Package Type	Package Drawing	Pins	SPQ	Length (mm)	Width (mm)	Height (mm)
LP2902DR	SOIC	D	14	2500	333.2	345.9	28.6
LP2902PWR	TSSOP	PW	14	2000	356.0	356.0	35.0
LP324DR	SOIC	D	14	2500	340.5	336.1	32.0
LP324DRG4	SOIC	D	14	2500	340.5	336.1	32.0
LP324PWR	TSSOP	PW	14	2000	356.0	356.0	35.0

TUBE


*All dimensions are nominal

Device	Package Name	Package Type	Pins	SPQ	L (mm)	W (mm)	T (μm)	B (mm)
LP2902N	N	PDIP	14	25	506	13.97	11230	4.32
LP324N	N	PDIP	14	25	506	13.97	11230	4.32

D (R-PDSO-G14)

PLASTIC SMALL OUTLINE



- NOTES:
- A. All linear dimensions are in inches (millimeters).
 - B. This drawing is subject to change without notice.
 -  Body length does not include mold flash, protrusions, or gate burrs. Mold flash, protrusions, or gate burrs shall not exceed 0.006 (0,15) each side.
 -  Body width does not include interlead flash. Interlead flash shall not exceed 0.017 (0,43) each side.
 - E. Reference JEDEC MS-012 variation AB.

D (R-PDSO-G14)

PLASTIC SMALL OUTLINE



- NOTES:
- All linear dimensions are in millimeters.
 - This drawing is subject to change without notice.
 - Publication IPC-7351 is recommended for alternate designs.
 - Laser cutting apertures with trapezoidal walls and also rounding corners will offer better paste release. Customers should contact their board assembly site for stencil design recommendations. Refer to IPC-7525 for other stencil recommendations.
 - Customers should contact their board fabrication site for solder mask tolerances between and around signal pads.

PW (R-PDSO-G14)

PLASTIC SMALL OUTLINE



- NOTES:
- All linear dimensions are in millimeters.
 - This drawing is subject to change without notice.
 - Publication IPC-7351 is recommended for alternate designs.
 - Laser cutting apertures with trapezoidal walls and also rounding corners will offer better paste release. Customers should contact their board assembly site for stencil design recommendations. Refer to IPC-7525 for other stencil recommendations.
 - Customers should contact their board fabrication site for solder mask tolerances between and around signal pads.

N (R-PDIP-T**)

PLASTIC DUAL-IN-LINE PACKAGE

16 PINS SHOWN



- NOTES:
- A. All linear dimensions are in inches (millimeters).
 - B. This drawing is subject to change without notice.
 - Falls within JEDEC MS-001, except 18 and 20 pin minimum body length (Dim A).
 - The 20 pin end lead shoulder width is a vendor option, either half or full width.

IMPORTANT NOTICE AND DISCLAIMER

TI PROVIDES TECHNICAL AND RELIABILITY DATA (INCLUDING DATA SHEETS), DESIGN RESOURCES (INCLUDING REFERENCE DESIGNS), APPLICATION OR OTHER DESIGN ADVICE, WEB TOOLS, SAFETY INFORMATION, AND OTHER RESOURCES "AS IS" AND WITH ALL FAULTS, AND DISCLAIMS ALL WARRANTIES, EXPRESS AND IMPLIED, INCLUDING WITHOUT LIMITATION ANY IMPLIED WARRANTIES OF MERCHANTABILITY, FITNESS FOR A PARTICULAR PURPOSE OR NON-INFRINGEMENT OF THIRD PARTY INTELLECTUAL PROPERTY RIGHTS.

These resources are intended for skilled developers designing with TI products. You are solely responsible for (1) selecting the appropriate TI products for your application, (2) designing, validating and testing your application, and (3) ensuring your application meets applicable standards, and any other safety, security, regulatory or other requirements.

These resources are subject to change without notice. TI grants you permission to use these resources only for development of an application that uses the TI products described in the resource. Other reproduction and display of these resources is prohibited. No license is granted to any other TI intellectual property right or to any third party intellectual property right. TI disclaims responsibility for, and you will fully indemnify TI and its representatives against, any claims, damages, costs, losses, and liabilities arising out of your use of these resources.


TI's products are provided subject to [TI's Terms of Sale](#) or other applicable terms available either on [ti.com](https://www.ti.com) or provided in conjunction with such TI products. TI's provision of these resources does not expand or otherwise alter TI's applicable warranties or warranty disclaimers for TI products.

TI objects to and rejects any additional or different terms you may have proposed.

Mailing Address: Texas Instruments, Post Office Box 655303, Dallas, Texas 75265
Copyright © 2024, Texas Instruments Incorporated

Looking for pricing, stock, or lifecycle information?

Click below to explore more details on WIN SOURCE:

 [View LP324N](#) on WIN SOURCE

 [Texas Instruments](#) Information

Optimize Your Supply Chain with WIN SOURCE Solutions

-  Global Sourcing Solution
-  Obsolete Management
-  Cost Control Management
-  Shortage Management
-  Alternative Solution
-  Excess Inventory Management