



**THE DATASHEET OF  
LP3875ES-2.5/NOPB**



## LP387x 1.5-A Fast Ultra-Low-Dropout Linear Regulators

### 1 Features

- Input Voltage Range: 2.5 V to 7 V
- Ultra Low-Dropout Voltage
- Low Ground Pin Current
- Load Regulation of 0.06%
- 10-nA Quiescent Current in Shutdown Mode
- Ensured Output Current of 1.5-A DC
- Available in DDPAK/TO-263, TO-220, and SOT-223 Packages
- Output Voltage Accuracy  $\pm 1.5\%$
- $\overline{\text{ERROR}}$  Flag for Output Status
- Sense Option Improves Load Regulation
- Minimum Output Capacitor Requirements
- Overtemperature/Overcurrent Protection
- $-40^{\circ}\text{C}$  to  $125^{\circ}\text{C}$  Junction Temperature Range

### 2 Applications

- Microprocessor Power Supplies
- GTL, GTL+, BTL, and SSTL Bus Terminators
- Power Supplies for DSPs
- SCSI Terminators
- Post Regulators
- High Efficiency Linear Regulators
- Battery Chargers
- Other Battery-Powered Applications

### 3 Description

The LP387x series of fast ultra low-dropout linear regulators operate from a 2.5-V to 7-V input supply. Wide range of preset output voltage options are available. These ultra low-dropout linear regulators respond very quickly to step changes in load, which makes them suitable for low-voltage microprocessor applications. The LP3872 and LP3875 are developed on a CMOS process which allows low quiescent current operation independent of output load current. This CMOS process also allows the LP3872 and LP3875 to operate under extremely low dropout conditions.

**Dropout Voltage:** Ultra low-dropout voltage; typically 38 mV at 150-mA load current and 380 mV at 1.5-A load current.

**Ground Pin Current:** Typically 6 mA at 1.5-A load current.

**Shutdown Mode:** Typically 10-nA quiescent current when the  $\overline{\text{SD}}$  pin is pulled low.

**ERROR Flag:**  $\overline{\text{ERROR}}$  flag goes low when the output voltage drops 10% below nominal value (LP3872 only).

**SENSE:** Sense pin improves regulation at remote loads (LP3875 only).

**Precision Output Voltage:** Multiple output voltage options are available ranging from 1.8 V to 5 V with a specified accuracy of  $\pm 1.5\%$  at room temperature, and  $\pm 3.0\%$  over all conditions (varying line, load, and temperature).

#### Device Information<sup>(1)</sup>

| PART NUMBER | PACKAGE     | BODY SIZE (NOM)             |
|-------------|-------------|-----------------------------|
| LP3872      | SOT-223 (5) | 6.50 mm $\times$ 3.56 mm    |
|             | TO-263 (5)  | 10.16 mm $\times$ 8.42 mm   |
| LP3875      | SOT-223 (5) | 6.50 mm $\times$ 3.56 mm    |
|             | TO-263 (5)  | 10.16 mm $\times$ 8.42 mm   |
|             | TO-220 (5)  | 14.986 mm $\times$ 10.16 mm |

(1) For all available packages, see the orderable addendum at the end of the datasheet.

#### LP3872 Typical Application Circuit



\* $\overline{\text{SD}}$  and  $\overline{\text{ERROR}}$  pins must be pulled high through a 10-k $\Omega$  pullup resistor. Connect the  $\overline{\text{ERROR}}$  pin to ground if this function is not used. See the [Shutdown Mode](#) and [ERROR Flag Operation](#) sections.

#### LP3875 Typical Application Circuit



\* $\overline{\text{SD}}$  must be pulled high through a 10-k $\Omega$  pullup resistor. See the [Shutdown Mode](#) section.



## Table of Contents

|  |          |  |           |
|--|----------|--|-----------|
| <b>1 Features</b> .....                        | <b>1</b> | 7.3 Feature Description .....                                    | <b>8</b>  |
| <b>2 Applications</b> .....                    | <b>1</b> | 7.4 Device Functional Modes .....                                | <b>9</b>  |
| <b>3 Description</b> .....                     | <b>1</b> | <b>8 Application and Implementation</b> .....                    | <b>11</b> |
| <b>4 Revision History</b> .....                | <b>2</b> | 8.1 Application Information .....                                | <b>11</b> |
| <b>5 Pin Configuration and Functions</b> ..... | <b>3</b> | 8.2 Typical Application .....                                    | <b>11</b> |
| <b>6 Specifications</b> .....                  | <b>4</b> | <b>9 Power Supply Recommendations</b> .....                      | <b>16</b> |
| 6.1 Absolute Maximum Ratings .....             | 4        | <b>10 Layout</b> .....   | <b>16</b> |
| 6.2 ESD Ratings .....                          | 4        | 10.1 Layout Guidelines .....                                     | 16        |
| 6.3 Recommended Operating Conditions .....     | 4        | 10.2 Layout Examples .....                                       | 17        |
| 6.4 Thermal Information .....                  | 4        | <b>11 Device and Documentation Support</b> .....                 | <b>18</b> |
| 6.5 Electrical Characteristics .....           | 5        | 11.1 Related Links .....   | 18        |
| 6.6 Typical Characteristics .....              | 6        | 11.2 Trademarks .....  | 18        |
| <b>7 Detailed Description</b> .....            | <b>8</b> | 11.3 Electrostatic Discharge Caution .....                       | 18        |
| 7.1 Overview .....                             | 8        | 11.4 Glossary .....  | 18        |
| 7.2 Functional Block Diagram .....             | 8        | <b>12 Mechanical, Packaging, and Orderable Information</b> ..... | <b>18</b> |

## 4 Revision History

NOTE: Page numbers for previous revisions may differ from page numbers in the current version.

| <b>Changes from Revision G (December 2014) to Revision H</b>                  | <b>Page</b> |
|---|-------------|
| • Added Input voltage range as first Feature .....                            | 1           |
| • Added "(LP3872 only)" .....   | 1           |
| • Added "(LP3875 only)" .....   | 1           |
| • Changed all VIN and VOUT pin names to IN and OUT in drawings and text ..... | 1           |
| • Changed footnotes to appear under each table .....                          | 4           |
| • Deleted CDM footnote .....  | 4           |
| • Deleted last sentence of <i>Short-Circuit Protection</i> subsection .....   | 9           |

| <b>Changes from Revision F (April 2013) to Revision G</b>   | <b>Page</b> |
|---|-------------|
| • Added <i>Pin Configuration and Functions</i> section, <i>ESD Ratings</i> table, <i>Feature Description</i> section, <i>Device Functional Modes</i> , <i>Application and Implementation</i> section, <i>Power Supply Recommendations</i> section, <i>Layout</i> section, <i>Device and Documentation Support</i> section, and <i>Mechanical, Packaging, and Orderable Information</i> section; update thermal values ..... | 1           |

## 5 Pin Configuration and Functions



### Pin Functions

| NAME               | PIN NUMBER             |         |                        |         | I/O | DESCRIPTION          |
|--------------------|------------------------|---------|------------------------|---------|-----|----------------------|
|                    | LP3872                 |         | LP3875                 |         |     |                      |
|                    | TO-220<br>DDPAK/TO-263 | SOT-223 | TO-220<br>DDPAK/TO-263 | SOT-223 |     |                      |
| $\overline{SD}$    | 1                      | 1       | 1                      | 1       | I   | Shutdown             |
| IN                 | 2                      | 2       | 2                      | 2       | I   | Input supply         |
| OUT                | 4                      | 3       | 4                      | 3       | O   | Output voltage       |
| $\overline{ERROR}$ | 5                      | 4       | —                      | —       | O   | Error flag           |
| SENSE              | —                      | —       | 5                      | 4       | I   | Remote voltage sense |
| GND                | 3                      | 5       | 3                      | 5       | —   | Ground               |

## 6 Specifications

### 6.1 Absolute Maximum Ratings<sup>(1)(2)</sup>

If Military/Aerospace specified devices are required, contact the Texas Instruments Sales Office/Distributors for availability and specifications.

|   | MIN  | MAX                     | UNIT |
|---|------|-------------------------|------|
| Lead temperature (soldering, 5 sec.)                |      | 260                     | °C   |
| Power dissipation <sup>(3)</sup>                    |      | Internally limited      |      |
| IN pin to GND pin voltage                           | -0.3 | 7.5                     | V    |
| Shutdown ( $\overline{SD}$ ) pin to GND pin voltage | -0.3 | 7.5                     | V    |
| OUT pin to GND pin voltage <sup>(4), (5)</sup>      | -0.3 | 6                       | V    |
| $I_{OUT}$   |      | Short-circuit protected |      |
| $\overline{ERROR}$ pin to GND pin voltage           |      | $V_{IN}$                | V    |
| SENSE pin to GND pin voltage                        |      | $V_{OUT}$               | V    |
| Storage temperature, $T_{stg}$                      | -65  | 150                     | °C   |

- (1) Stresses beyond those listed under *Absolute Maximum Ratings*<sup>(1)(2)</sup> may cause permanent damage to the device. These are stress ratings only, which do not imply functional operation of the device at these or any other conditions beyond those indicated under *Recommended Operating Conditions*. Exposure to absolute-maximum-rated conditions for extended periods may affect device reliability.
- (2) If Military/Aerospace specified devices are required, please contact the TI Sales Office/Distributors for availability and specifications.
- (3) Internal thermal shutdown circuitry protects the device from permanent damage.
- (4) If used in a dual-supply system where the regulator load is returned to a negative supply, the output must be diode-clamped to ground.
- (5) The output PMOS structure contains a diode between the IN and OUT pins. This diode is normally reverse biased. This diode will get forward biased if the voltage at the output terminal is forced to be higher than the voltage at the input terminal. This diode can typically withstand 200 mA of DC current and 1 A of peak current.

### 6.2 ESD Ratings

|   | VALUE | UNIT |
|---|-------|------|
| $V_{(ESD)}$ Electrostatic discharge Human body model (HBM), per ANSI/ESDA/JEDEC JS-001 <sup>(1)</sup> | ±2000 | V    |

- (1) JEDEC document JEP155 states that 500-V HBM allows safe manufacturing with a standard ESD control process.

### 6.3 Recommended Operating Conditions

|  | MIN  | MAX | UNIT |
|--|------|-----|------|
| $V_{IN}$ supply voltage <sup>(1)</sup>   | 2.5  | 7   | V    |
| Shutdown ( $\overline{SD}$ ) voltage     | -0.3 | 7   | V    |
| Maximum operating current (DC) $I_{OUT}$ |      | 1.5 | A    |
| Junction temperature                     | -40  | 125 | °C   |

- (1) The minimum operating value for  $V_{IN}$  is equal to either  $[V_{OUT(NOM)} + V_{DROPOUT}]$  or 2.5 V, whichever is greater.

### 6.4 Thermal Information

| THERMAL METRIC <sup>(1)</sup>                                     | LP3872, LP3875 |              | LP3875       | UNIT |
|---|----------------|--------------|--------------|------|
|   | NDC (SOT-223)  | KTT (TO-263) | NDH (TO-220) |      |
|   | 5 PINS         | 5 PINS       | 5 PINS       |      |
| $R_{\theta JA}$ Junction-to-ambient thermal resistance            | 65.2           | 40.3         | 32           | °C/W |
| $R_{\theta JC(top)}$ Junction-to-case (top) thermal resistance    | 47.2           | 43.4         | 43.8         |      |
| $R_{\theta JB}$ Junction-to-board thermal resistance              | 9.9            | 23.1         | 18.6         |      |
| $\Psi_{JT}$ Junction-to-top characterization parameter            | 3.4            | 11.5         | 8.8          |      |
| $\Psi_{JB}$ Junction-to-board characterization parameter          | 9.7            | 22           | 18           |      |
| $R_{\theta JC(bot)}$ Junction-to-case (bottom) thermal resistance | n/a            | 1            | 1.2          |      |

- (1) For more information about traditional and new thermal metrics, see the *IC Package Thermal Metrics* application report, [SPRA953](#).

## 6.5 Electrical Characteristics

Unless otherwise specified:  $T_J = 25^\circ\text{C}$ ,  $V_{IN} = V_{O(NOM)} + 1\text{ V}$ ,  $I_L = 10\text{ mA}$ ,  $C_{OUT} = 10\text{ }\mu\text{F}$ ,  $V_{SD} = 2\text{ V}$ .

| PARAMETER                       |   | TEST CONDITIONS  | MIN <sup>(1)</sup> | TYP <sup>(2)</sup> | MAX <sup>(1)</sup> | UNIT          |
|---------------------------------|---|--|--------------------|--------------------|--------------------|---------------|
| $V_{OUT}$                       | Output voltage tolerance <sup>(3)</sup>       | $V_{OUT} + 1\text{ V} \leq V_{IN} \leq 7\text{ V}$ , $10\text{ mA} \leq I_L \leq 1.5\text{ A}$   | -1.5%              | 0%                 | 1.5%               |               |
|                                 |   | $V_{OUT} + 1\text{ V} \leq V_{IN} \leq 7\text{ V}$ , $10\text{ mA} \leq I_L \leq 1.5\text{ A}$ , $-40^\circ\text{C} \leq T_J \leq 125^\circ\text{C}$ | -3%                |                    | 3%                 |               |
| $\Delta V_{OL}$                 | Output voltage line regulation <sup>(3)</sup> | $V_{OUT} + 1\text{ V} \leq V_{IN} \leq 7\text{ V}$   |                    | 0.02%              |                    |               |
|                                 |   | $V_{OUT} + 1\text{ V} \leq V_{IN} \leq 7\text{ V}$ , $-40^\circ\text{C} \leq T_J \leq 125^\circ\text{C}$   |                    | 0.06%              |                    |               |
| $\Delta V_O / \Delta I_{OUT}$   | Output voltage load regulation <sup>(3)</sup> | $10\text{ mA} \leq I_L \leq 1.5\text{ A}$  |                    | 0.06%              |                    |               |
|                                 |   | $10\text{ mA} \leq I_L \leq 1.5\text{ A}$ , $-40^\circ\text{C} \leq T_J \leq 125^\circ\text{C}$  |                    | 0.12%              |                    |               |
| $V_{IN} - V_{OUT}$              | Dropout voltage <sup>(4)</sup>                | $I_L = 150\text{ mA}$  |                    | 38                 | 50                 | mV            |
|                                 |   | $I_L = 150\text{ mA}$ , $-40^\circ\text{C} \leq T_J \leq 125^\circ\text{C}$  |                    |                    | 60                 |               |
|                                 |   | $I_L = 1.5\text{ A}$   |                    | 380                | 450                |               |
|                                 |   | $I_L = 1.5\text{ A}$ , $-40^\circ\text{C} \leq T_J \leq 125^\circ\text{C}$   |                    |                    | 550                |               |
| $I_{GND}$                       | Ground pin current in normal operation mode   | $I_L = 150\text{ mA}$  |                    | 5                  | 9                  | mA            |
|                                 |   | $I_L = 150\text{ mA}$ , $-40^\circ\text{C} \leq T_J \leq 125^\circ\text{C}$  |                    |                    | 10                 |               |
|                                 |   | $I_L = 1.5\text{ A}$   |                    | 6                  | 14                 |               |
|                                 |   | $I_L = 1.5\text{ A}$ , $-40^\circ\text{C} \leq T_J \leq 125^\circ\text{C}$   |                    |                    | 15                 |               |
| $I_{GND}$                       | Ground pin current in shutdown mode           | $V_{SD} \leq 0.3\text{ V}$   |                    | 0.01               | 10                 | $\mu\text{A}$ |
|                                 |   | $-40^\circ\text{C} \leq T_J \leq 85^\circ\text{C}$   |                    |                    | 50                 |               |
| $I_{O(PK)}$                     | Peak output current                           | $V_{OUT} \geq V_{O(NOM)} - 4\%$  |                    | 1.8                |                    | A             |
| <b>SHORT CIRCUIT PROTECTION</b> |   |  |                    |                    |                    |               |
| $I_{SC}$                        | Short-circuit current                         |  |                    | 3.2                |                    | A             |
| <b>SHUTDOWN INPUT</b>           |   |  |                    |                    |                    |               |
| $V_{SDT}$                       | Shutdown threshold                            | Output = High  |                    | $V_{IN}$           |                    | V             |
|                                 |   | Output = High, $-40^\circ\text{C} \leq T_J \leq 125^\circ\text{C}$   | 2                  |                    |                    |               |
|                                 |   | Output = Low   |                    | 0                  |                    |               |
|                                 |   | Output = Low, $-40^\circ\text{C} \leq T_J \leq 125^\circ\text{C}$  |                    |                    | 0.3                |               |
| $T_{dOFF}$                      | Turnoff delay                                 | $I_L = 1.5\text{ A}$   |                    | 20                 |                    | $\mu\text{s}$ |
| $T_{dON}$                       | Turnon delay                                  | $I_L = 1.5\text{ A}$   |                    | 25                 |                    | $\mu\text{s}$ |
| $I_{SD}$                        | $\overline{SD}$ input current                 | $V_{SD} = V_{IN}$  |                    | 1                  |                    | nA            |
| <b>ERROR FLAG</b>               |   |  |                    |                    |                    |               |
| $V_T$                           | Threshold                                     | See <sup>(5)</sup>   |                    | 10%                |                    |               |
|                                 |   | See <sup>(5)</sup> , $-40^\circ\text{C} \leq T_J \leq 125^\circ\text{C}$   | 5%                 |                    | 16%                |               |
| $V_{TH}$                        | Threshold hysteresis                          | See <sup>(5)</sup>   |                    | 5%                 |                    |               |
|                                 |   | See <sup>(5)</sup> , $-40^\circ\text{C} \leq T_J \leq 125^\circ\text{C}$   | 2%                 |                    | 8%                 |               |
| $V_{EF(Sat)}$                   | ERROR flag saturation                         | $I_{sink} = 100\text{ }\mu\text{A}$  |                    | 0.02               |                    | V             |
|                                 |   | $I_{sink} = 100\text{ }\mu\text{A}$ , $-40^\circ\text{C} \leq T_J \leq 125^\circ\text{C}$  |                    |                    | 0.1                |               |
| $T_d$                           | Flag reset delay                              |  |                    | 1                  |                    | $\mu\text{s}$ |
| $I_{lk}$                        | ERROR flag pin leakage current                |  |                    | 1                  |                    | nA            |
| $I_{max}$                       | ERROR flag pin sink current                   | $V_{Error} = 0.5\text{ V}$   |                    | 1                  |                    | mA            |

- (1) Limits are specified by testing, design, or statistical correlation.
- (2) Typical numbers are at  $25^\circ\text{C}$  and represent the most likely parametric norm.
- (3) Output voltage line regulation is defined as the change in output voltage from the nominal value due to change in the input line voltage. Output voltage load regulation is defined as the change in output voltage from the nominal value due to change in load current. The line and load regulation specification contains only the typical number. However, the limits for line and load regulation are included in the output voltage tolerance specification.
- (4) Dropout voltage is defined as the minimum input to output differential voltage at which the output drops 2% below the nominal value. Dropout voltage specification applies only to output voltages of 2.5 V and above. For output voltages below 2.5 V, the dropout voltage is nothing but the input to output differential, because the minimum input voltage is 2.5 V.
- (5) ERROR Flag threshold and hysteresis are specified as percentage of regulated output voltage. See [ERROR Flag Operation](#).

### Electrical Characteristics (continued)

Unless otherwise specified:  $T_J = 25^\circ\text{C}$ ,  $V_{IN} = V_{O(NOM)} + 1\text{ V}$ ,  $I_L = 10\text{ mA}$ ,  $C_{OUT} = 10\ \mu\text{F}$ ,  $V_{SD} = 2\text{ V}$ .

| PARAMETER            |                      | TEST CONDITIONS   | MIN <sup>(1)</sup> | TYP <sup>(2)</sup> | MAX <sup>(1)</sup> | UNIT          |
|----------------------|----------------------|---|--------------------|--------------------|--------------------|---------------|
| <b>AC PARAMETERS</b> |                      |   |                    |                    |                    |               |
| PSRR                 | Ripple rejection     | $V_{IN} = V_{OUT} + 1\text{ V}$ , $C_{OUT} = 10\ \mu\text{F}$<br>$V_{OUT} = 3.3\text{ V}$ , $f = 120\text{ Hz}$   |                    | 73                 |                    | dB            |
|                      |                      | $V_{IN} = V_{OUT} + 0.5\text{ V}$ , $C_{OUT} = 10\ \mu\text{F}$<br>$V_{OUT} = 3.3\text{ V}$ , $f = 120\text{ Hz}$ |                    | 57                 |                    |               |
| $\rho_{n(f)}$        | Output noise density | $f = 120\text{ Hz}$   |                    | 0.8                |                    | $\mu\text{V}$ |
| $e_n$                | Output noise voltage | $\text{BW} = 10\text{ Hz} - 100\text{ kHz}$ , $V_{OUT} = 2.5\text{ V}$  |                    | 150                |                    | $\mu\text{V}$ |
|                      |                      | $\text{BW} = 300\text{ Hz} - 300\text{ kHz}$ , $V_{OUT} = 2.5\text{ V}$   |                    | 100                |                    | (rms)         |

### 6.6 Typical Characteristics

Unless otherwise specified:  $T_J = 25^\circ\text{C}$ ,  $C_{OUT} = 10\ \mu\text{F}$ ,  $C_{IN} = 10\ \mu\text{F}$ ,  $\overline{\text{SD}}$  pin is tied to  $V_{IN}$ ,  $V_{OUT} = 2.5\text{ V}$ ,  $V_{IN} = V_{O(NOM)} + 1\text{ V}$ ,  $I_L = 10\text{ mA}$



Figure 1. Dropout Voltage vs Output Load Current



Figure 2. Ground Pin Current vs Output Voltage  
 $I_L = 1.5\text{ A}$



Figure 3. Shutdown  $I_Q$  vs Junction Temperature



Figure 4. Errorflag Threshold vs Junction Temperature

Typical Characteristics (continued)

Unless otherwise specified:  $T_J = 25^\circ\text{C}$ ,  $C_{OUT} = 10\ \mu\text{F}$ ,  $C_{IN} = 10\ \mu\text{F}$ ,  $\overline{\text{SD}}$  pin is tied to  $V_{IN}$ ,  $V_{OUT} = 2.5\ \text{V}$ ,  $V_{IN} = V_{O(NOM)} + 1\ \text{V}$ ,  $I_L = 10\ \text{mA}$

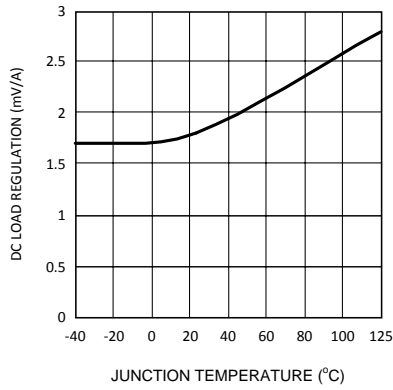


Figure 5. DC Load Reg. vs Junction Temperature

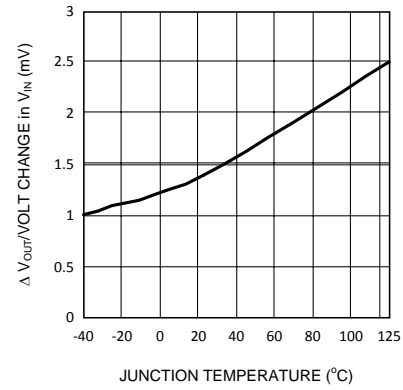


Figure 6. DC Line Regulation vs Temperature

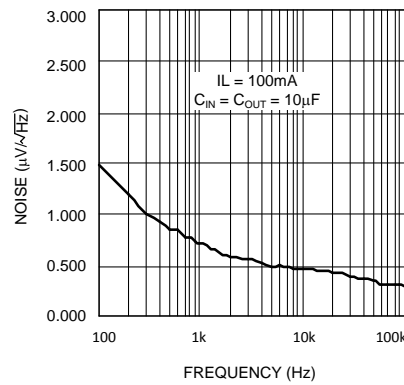


Figure 7. Noise vs Frequency

## 7 Detailed Description

### 7.1 Overview

The LP387x linear regulators are designed to provide an ultra-low-dropout voltage with excellent transient response and load/line regulation. For battery-powered always-on type applications, the very low quiescent current of LP387x in shutdown mode helps reduce battery drain. For applications where load is not placed close to the regulator, LP3875 incorporates a voltage sense circuit to improve voltage regulation at the point of load. ERROR output pin of LP3872 can be used in the system to flag a low-voltage condition.

### 7.2 Functional Block Diagram

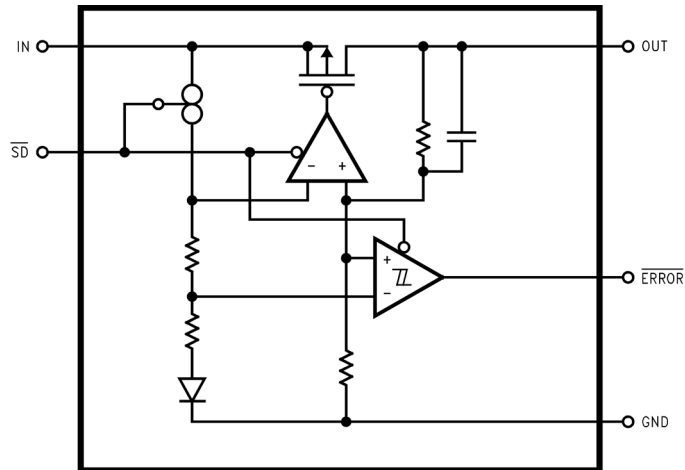


Figure 8. LP3872

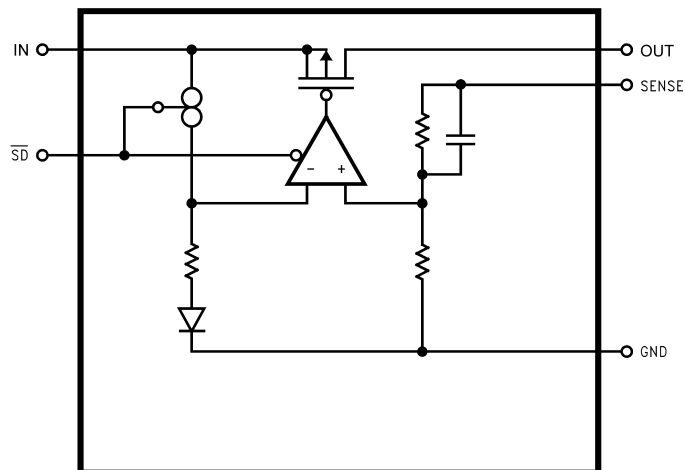


Figure 9. LP3875

### 7.3 Feature Description

#### 7.3.1 Shutdown ( $\overline{SD}$ )

The LM387x devices have a shutdown feature that turns the device off and reduces the quiescent current to 10 nA, typical.

## Feature Description (continued)

### 7.3.2 Load Voltage Sense

In applications where the regulator output is not very close to the load, LP3875 can provide better remote load regulation using the SENSE pin. Figure 10 depicts the advantage of the SENSE option. LP3872 regulates the voltage at the OUT pin. Hence, the voltage at the remote load will be the regulator output voltage minus the drop across the trace resistance. For example, in the case of a 3.3-V output, if the trace resistance is 100 mΩ, the voltage at the remote load will be 3.15 V with 1.5 A of load current,  $I_{LOAD}$ . The LP3875 regulates the voltage at the sense pin. Connecting the sense pin to the remote load will provide regulation at the remote load, as shown in Figure 10. If the sense option pin is not required, the SENSE pin must be connected to the OUT pin.

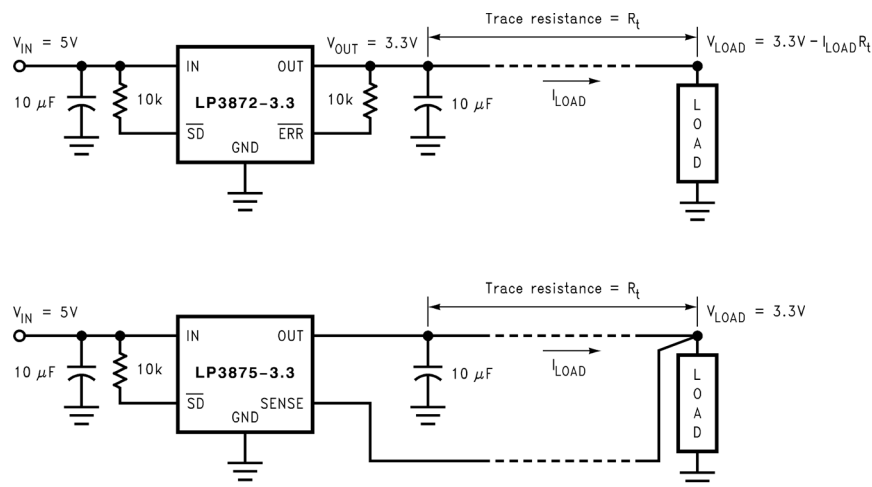


Figure 10. Improving Remote Load Regulation Using LP3875

### 7.3.3 Short-Circuit Protection

The LP3872 and LP3875 devices are short-circuit protected and in the event of a peak overcurrent condition, the short-circuit control loop will rapidly drive the output PMOS pass element off. Once the power pass element shuts down, the control loop will rapidly cycle the output on and off until the average power dissipation causes the thermal shutdown circuit to respond to servo the on/off cycling to a lower frequency.

### 7.3.4 Low Dropout Voltage

The LP387x devices feature an ultra-low-dropout voltage, typically 38 mV at 150-mA load current and 380 mV at 1.5-A load current.

## 7.4 Device Functional Modes

### 7.4.1 Shutdown Mode

A CMOS Logic low level signal at the shutdown ( $\overline{SD}$ ) pin will turn off the regulator. The  $\overline{SD}$  pin must be actively terminated through a 10-kΩ pullup resistor for a proper operation. If this pin is driven from a source that actively pulls high and low (such as a CMOS rail to rail comparator), the pullup resistor is not required. This pin must be tied to  $V_{IN}$  if not used.

### 7.4.2 Active Mode

When voltage at  $\overline{SD}$  pin of the LP387x device is at logic high level, the device is in normal mode of operation.

### 7.4.3 $\overline{ERROR}$ Flag Operation

The LP3872 and LP3875 produces a logic low signal at the  $\overline{ERROR}$  Flag pin when the output drops out of regulation due to low input voltage, current limiting, or thermal limiting. This flag has a built-in hysteresis. The timing diagram in Figure 11 shows the relationship between the  $\overline{ERROR}$  flag and the output voltage. In this example, the input voltage is changed to demonstrate the functionality of the  $\overline{ERROR}$  Flag.

**Device Functional Modes (continued)**

The internal  $\overline{\text{ERROR}}$  flag comparator has an open-drain output stage. Hence, the  $\overline{\text{ERROR}}$  pin should be pulled high through a pullup resistor. Although the  $\overline{\text{ERROR}}$  flag pin can sink current of 1 mA, this current is energy drain from the input supply. Hence, the value of the pullup resistor should be in the range of 10 k $\Omega$  to 1 M $\Omega$ . *The  $\overline{\text{ERROR}}$  pin must be connected to ground if this function is not used.* It should also be noted that when the  $\overline{\text{SD}}$  pin is pulled low, the  $\overline{\text{ERROR}}$  pin is forced to be invalid for reasons of saving power in shutdown mode.


**Figure 11.  $\overline{\text{ERROR}}$  Flag Operation**

## 8 Application and Implementation

### NOTE

Information in the following applications sections is not part of the TI component specification, and TI does not warrant its accuracy or completeness. TI's customers are responsible for determining suitability of components for their purposes. Customers should validate and test their design implementation to confirm system functionality.

### 8.1 Application Information

The LP387x devices are linear regulators designed to provide high load current of up to 1.5 A, low dropout voltage, and low quiescent current in shutdown mode. [Figure 12](#) and [Figure 13](#) show the typical application circuit for these devices.

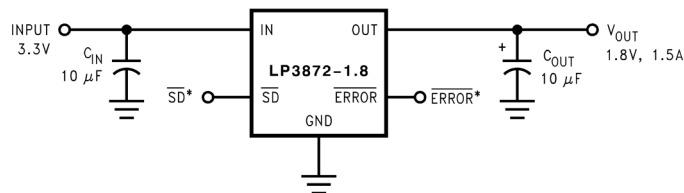
#### 8.1.1 Dropout Voltage

The dropout voltage of a regulator is defined as the minimum input-to-output differential required to stay within 2% of the nominal output voltage. For CMOS LDOs, the dropout voltage is the product of the load current and the  $R_{ds(on)}$  of the internal MOSFET.

#### 8.1.2 Reverse Current Path

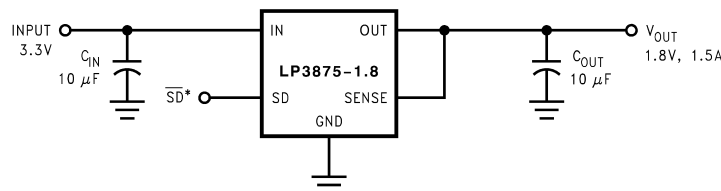
The internal MOSFET in LP3872 and LP3875 has an inherent parasitic diode. During normal operation, the input voltage is higher than the output voltage and the parasitic diode is reverse biased. However, if the output is pulled above the input in an application, then current flows from the output to the input as the parasitic diode gets forward biased. The output can be pulled above the input as long as the current in the parasitic diode is limited to 200-mA continuous and 1-A peak.

### 8.2 Typical Application



\* $\overline{SD}$  and  $\overline{ERROR}$  pins must be pulled high through a 10-k $\Omega$  pullup resistor. Connect the  $\overline{ERROR}$  pin to ground if this function is not used. See the [Shutdown Mode](#) and [ERROR Flag Operation](#) sections.

**Figure 12. LP3872 Typical Application Circuit**



\* $\overline{SD}$  must be pulled high through a 10-k $\Omega$  pullup resistor. See the [Shutdown Mode](#) section.

**Figure 13. LP3875 Typical Application Circuit**

## Typical Application (continued)

### 8.2.1 Design Requirements

**Table 1. Design Parameters**

| DESIGN PARAMETER           | EXAMPLE VALUE                |
|----------------------------|------------------------------|
| Input voltage range        | 2.5 V to 7 V                 |
| Output voltage             | 1.8 V                        |
| Output current             | 1.5 A                        |
| Output capacitor           | 10 $\mu$ F                   |
| Input capacitor            | 10 $\mu$ F                   |
| Output capacitor ESR range | 100 m $\Omega$ to 4 $\Omega$ |

### 8.2.2 Detailed Design Procedure

#### 8.2.2.1 Power Dissipation and Device Operation

The permissible power dissipation for any package is a measure of the capability of the device to pass heat from the power source, the junctions of the IC, to the ultimate heat sink, the ambient environment. Thus, the power dissipation depends on the ambient temperature and the thermal resistance across the various interfaces between the die junction and ambient air.

The maximum allowable power dissipation for the device in a given package can be calculated using [Equation 1](#):

$$P_{D-MAX} = ((T_{J-MAX} - T_A) / R_{\theta JA}) \tag{1}$$

The actual power being dissipated in the device can be represented by [Equation 2](#):

$$P_D = (V_{IN} - V_{OUT}) \times I_{OUT} \tag{2}$$

[Equation 1](#) and [Equation 2](#) establish the relationship between the maximum power dissipation allowed due to thermal consideration, the voltage drop across the device, and the continuous current capability of the device. These two equations should be used to determine the optimum operating conditions for the device in the application.

In applications where lower power dissipation ( $P_D$ ) and/or excellent package thermal resistance ( $R_{\theta JA}$ ) is present, the maximum ambient temperature ( $T_{A-MAX}$ ) may be increased.

In applications where high power dissipation and/or poor package thermal resistance is present, the maximum ambient temperature ( $T_{A-MAX}$ ) may have to be derated.  $T_{A-MAX}$  is dependent on the maximum operating junction temperature ( $T_{J-MAX-OP} = 125^\circ\text{C}$ ), the maximum allowable power dissipation in the device package in the application ( $P_{D-MAX}$ ), and the junction-to ambient thermal resistance of the part/package in the application ( $R_{\theta JA}$ ), as given by [Equation 3](#):

$$T_{A-MAX} = (T_{J-MAX-OP} - (R_{\theta JA} \times P_{D-MAX})) \tag{3}$$

Alternately, if  $T_{A-MAX}$  can not be derated, the  $P_D$  value must be reduced. This can be accomplished by reducing  $V_{IN}$  in the  $V_{IN} - V_{OUT}$  term as long as the minimum  $V_{IN}$  is met, or by reducing the  $I_{OUT}$  term, or by some combination of the two.

#### 8.2.2.2 External Capacitors

Like any low-dropout regulator, external capacitors are required to assure stability. These capacitors must be correctly selected for proper performance.

- **Input Capacitor:** An input capacitor of at least 10  $\mu$ F is required. Ceramic, tantalum, or Electrolytic capacitors may be used, and capacitance may be increased without limit.
- **Output Capacitor:** An output capacitor is required for loop stability. It must be located less than 1 cm from the device and connected directly to the output and ground pins using traces which have no other currents flowing through them (see [Layout](#) section).

The minimum value of output capacitance that can be used for stable full-load operation is 10  $\mu$ F, but it may be increased without limit. The output capacitor must have an equivalent series resistance (ESR) value as shown in [Figure 14](#). Tantalum capacitors are recommended for the output capacitor.

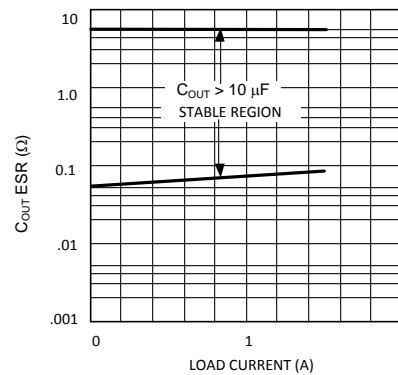


Figure 14. ESR Curve

### 8.2.2.3 Selecting a Capacitor

Capacitance tolerance and variation with temperature must be considered when selecting a capacitor so that the minimum required amount of capacitance is provided over the full operating temperature range. In general, a good tantalum capacitor will show very little capacitance variation with temperature, but a ceramic may not be as good (depending on dielectric type). Aluminum electrolytics also typically have large temperature variation of capacitance value.

Equally important to consider is how ESR of a capacitor changes with temperature: this is not an issue with ceramics, as their ESR is extremely low. However, it is very important in tantalum and aluminum electrolytic capacitors. Both show increasing ESR at colder temperatures, but the increase in aluminum electrolytic capacitors is so severe they may not be feasible for some applications (see [Capacitor Characteristics](#)).

### 8.2.2.4 Capacitor Characteristics

#### 8.2.2.4.1 Ceramic

For values of capacitance in the 10- $\mu$ F to 100- $\mu$ F range, ceramics are usually larger and more costly than tantalums but give superior AC performance for bypassing high frequency noise because of very low ESR (typically less than 10 m $\Omega$ ). However, some dielectric types do not have good capacitance characteristics as a function of voltage and temperature.

Z5U and Y5V dielectric ceramics have capacitance that drops severely with applied voltage. A typical Z5U or Y5V capacitor can lose 60% of its rated capacitance with half of the rated voltage applied to it. The Z5U and Y5V also exhibit a severe temperature effect, losing more than 50% of nominal capacitance at high and low limits of the temperature range.

X7R and X5R dielectric ceramic capacitors are strongly recommended if ceramics are used, as they typically maintain a capacitance range within  $\pm 20\%$  of nominal over full operating ratings of temperature and voltage. Of course, they are typically larger and more costly than Z5U/Y5U types for a given voltage and capacitance.

#### 8.2.2.4.2 Tantalum

Solid tantalum capacitors are recommended for use on the output because their typical ESR is very close to the ideal value required for loop compensation. They also work well as input capacitors if selected to meet the ESR requirements previously listed.

Tantalums also have good temperature stability: a good quality tantalum will typically show a capacitance value that varies less than 10-15% across the full temperature range of  $-40^{\circ}\text{C}$  to  $125^{\circ}\text{C}$ . ESR will vary only about 2X going from the high to low temperature limits.

The increasing ESR at lower temperatures can cause oscillations when marginal quality capacitors are used (if the ESR of the capacitor is near the upper limit of the stability range at room temperature).

#### 8.2.2.4.3 Aluminum

This capacitor type offers the most capacitance for the money. The disadvantages are that they are larger in physical size, not widely available in surface mount, and have poor AC performance (especially at higher frequencies) due to higher ESR and equivalent series inductance (ESL).

Compared by size, the ESR of an aluminum electrolytic is higher than either tantalum or ceramic, and it also varies greatly with temperature. A typical aluminum electrolytic can exhibit an ESR increase of as much as 50X when going from 25°C down to –40°C.

It should also be noted that many aluminum electrolytics only specify impedance at a frequency of 120 Hz, which indicates they have poor high-frequency performance. Only aluminum electrolytics that have an impedance specified at a higher frequency (from 20 kHz to 100 kHz) should be used for the LP387x. Derating must be applied to the manufacturer's ESR specification, because it is typically only valid at room temperature.

Any applications using aluminum electrolytics should be thoroughly tested at the lowest ambient operating temperature where ESR is maximum.

#### 8.2.2.5 Turnon Characteristics for Output Voltages Programmed to 2 V or Less

As  $V_{IN}$  increases during start-up, the regulator output will track the input until  $V_{in}$  reaches the minimum operating voltage (typically about 2.2 V). For output voltages programmed to 2 V or less, the regulator output may momentarily exceed its programmed output voltage during start-up. Outputs programmed to voltages above 2 V are not affected by this behavior.

#### 8.2.2.6 RFI/EMI Susceptibility

Radio frequency interference (RFI) and electromagnetic interference (EMI) can degrade the performance of any IC because of the small dimensions of the geometries inside the device. In applications where circuit sources are present which generate signals with significant high frequency energy content (> 1 MHz), care must be taken to ensure that this does not affect the IC regulator.

If RFI/EMI noise is present on the input side of the regulator (such as applications where the input source comes from the output of a switching regulator), good ceramic bypass capacitors must be used at the input pin of the IC.

If a load is connected to the IC output which switches at high speed (such as a clock), the high-frequency current pulses required by the load must be supplied by the capacitors on the IC output. Because the bandwidth of the regulator loop is less than 100 kHz, the control circuitry cannot respond to load changes above that frequency. This means the effective output impedance of the IC at frequencies above 100 kHz is determined only by the output capacitors.

In applications where the load is switching at high speed, the output of the IC may need RF isolation from the load. It is recommended that some inductance be placed between the output capacitor and the load, and good RF bypass capacitors be placed directly across the load.

PCB layout is also critical in high noise environments, because RFI/EMI is easily radiated directly into PC traces. Noisy circuitry should be isolated from "clean" circuits where possible, and grounded through a separate path. At MHz frequencies, ground planes begin to look inductive and RFI/EMI can cause ground bounce across the ground plane.

In multilayer PCB applications, care should be taken in layout so that noisy power and ground planes do not radiate directly into adjacent layers which carry analog power and ground.

#### 8.2.2.7 Output Noise

Noise is specified in two ways:

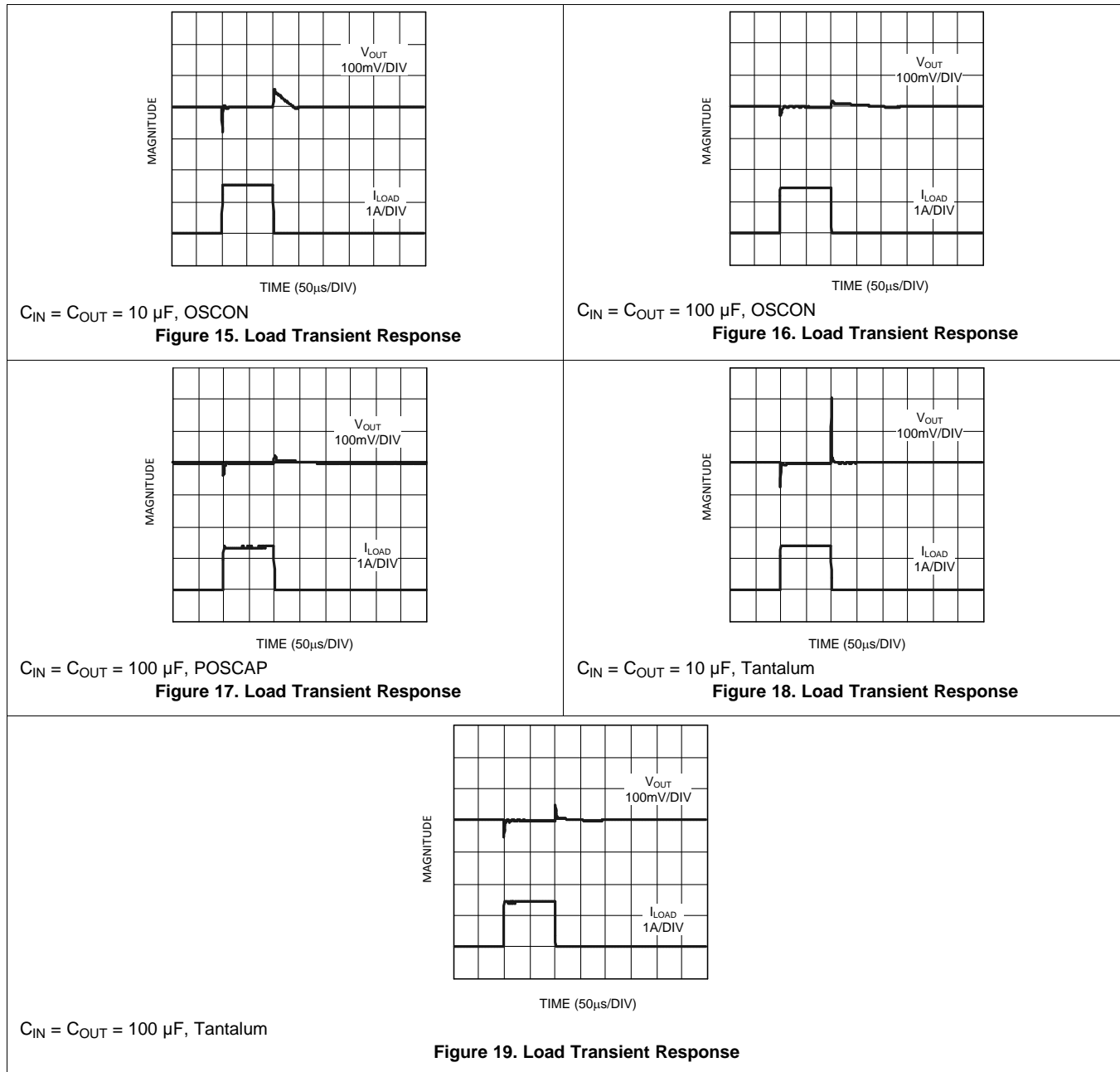
- Spot Noise (or Output Noise Density): the RMS sum of all noise sources, measured at the regulator output, at a specific frequency (measured with a 1-Hz bandwidth). This type of noise is usually plotted on a curve as a function of frequency.
- Total Output Noise (or Broad-Band Noise): the RMS sum of spot noise over a specified bandwidth, usually several decades of frequencies.

Attention should be paid to the units of measurement. Spot noise is measured in units  $\mu\text{V}/\sqrt{\text{Hz}}$  or  $\text{nV}/\sqrt{\text{Hz}}$  and total output noise is measured in  $\mu\text{V}(\text{rms})$ .

The primary source of noise in low-dropout regulators is the internal reference. In CMOS regulators, noise has a low frequency component and a high frequency component, which depend strongly on the silicon area and quiescent current. Noise can be reduced in two ways: by increasing the transistor area or by increasing the current drawn by the internal reference. Increasing the area will decrease the chance of fitting the die into a smaller package. Increasing the current drawn by the internal reference increases the total supply current (ground pin current). Using an optimized trade-off of ground pin current and die size, LP3872 and LP3875 achieves low noise performance and low quiescent current operation.

The total output noise specification for LP3872 and LP3875 is presented in [Electrical Characteristics](#). The Output noise density at different frequencies is represented by a curve under typical performance characteristics.

### 8.2.3 Application Curves



## 9 Power Supply Recommendations

The LP397x devices are designed to operate from an input supply voltage range of 2.5 V to 7 V. The input supply should be well regulated and free of spurious noise. To ensure that the LP387x output voltage is well regulated, the input supply should be at least  $V_{OUT} + 0.5$  V, or 2.5 V, whichever is higher. A minimum capacitor value of 10  $\mu$ F is required to be within 1 cm of the IN pin.

## 10 Layout

### 10.1 Layout Guidelines

Good PC layout practices must be used or instability can be induced because of ground loops and voltage drops. The input and output capacitors must be directly connected to the input, output, and ground pins of the regulator using traces which do not have other currents flowing in them (Kelvin connect).

The best way to do this is to lay out  $C_{IN}$  and  $C_{OUT}$  near the device with short traces to the IN, OUT, and GND pins. The regulator ground pin should be connected to the external circuit ground so that the regulator and its capacitors have a single-point ground.

It should be noted that stability problems have been seen in applications where vias to an internal ground plane were used at the ground points of the IC and the input and output capacitors. This was caused by varying ground potentials at these nodes resulting from current flowing through the ground plane. Using a single-point ground technique for the regulator and its capacitors fixed the problem.

Because high current flows through the traces going into  $V_{IN}$  and coming from  $V_{OUT}$ , Kelvin connect the capacitor leads to these pins so there is no voltage drop in series with the input and output capacitors.

## 10.2 Layout Examples

Layout Example for SOT-223 Package



Layout Example for TO-263 Package

## 11 Device and Documentation Support

### 11.1 Related Links

[Table 2](#) below lists quick access links. Categories include technical documents, support and community resources, tools and software, and quick access to sample or buy.

**Table 2. Related Links**

| PARTS  | PRODUCT FOLDER             | SAMPLE & BUY               | TECHNICAL DOCUMENTS        | TOOLS & SOFTWARE           | SUPPORT & COMMUNITY        |
|--------|----------------------------|----------------------------|----------------------------|----------------------------|----------------------------|
| LP3872 | <a href="#">Click here</a> | <a href="#">Click here</a> | <a href="#">Click here</a> | <a href="#">Click here</a> | <a href="#">Click here</a> |
| LP3875 | <a href="#">Click here</a> | <a href="#">Click here</a> | <a href="#">Click here</a> | <a href="#">Click here</a> | <a href="#">Click here</a> |

### 11.2 Trademarks

All trademarks are the property of their respective owners.

### 11.3 Electrostatic Discharge Caution



These devices have limited built-in ESD protection. The leads should be shorted together or the device placed in conductive foam during storage or handling to prevent electrostatic damage to the MOS gates.

### 11.4 Glossary

[SLYZ022](#) — *TI Glossary*.

This glossary lists and explains terms, acronyms, and definitions.

## 12 Mechanical, Packaging, and Orderable Information

The following pages include mechanical, packaging, and orderable information. This information is the most current data available for the designated devices. This data is subject to change without notice and revision of this document. For browser-based versions of this data sheet, refer to the left-hand navigation.

**PACKAGING INFORMATION**

| Orderable Device    | Status<br>(1) | Package Type     | Package Drawing | Pins | Package Qty | Eco Plan<br>(2)         | Lead/Ball Finish<br>(6) | MSL Peak Temp<br>(3) | Op Temp (°C) | Device Marking<br>(4/5) | Samples                 |
|---------------------|---------------|------------------|-----------------|------|-------------|-------------------------|-------------------------|----------------------|--------------|-------------------------|-------------------------|
| LP3872EMP-1.8/NOPB  | ACTIVE        | SOT-223          | NDC             | 5    | 1000        | Green (RoHS & no Sb/Br) | CU SN                   | Level-1-260C-UNLIM   | -40 to 125   | LHAB                    | <a href="#">Samples</a> |
| LP3872EMP-2.5/NOPB  | ACTIVE        | SOT-223          | NDC             | 5    | 1000        | Green (RoHS & no Sb/Br) | CU SN                   | Level-1-260C-UNLIM   | -40 to 125   | LHBB                    | <a href="#">Samples</a> |
| LP3872EMP-3.3/NOPB  | ACTIVE        | SOT-223          | NDC             | 5    | 1000        | Green (RoHS & no Sb/Br) | CU SN                   | Level-1-260C-UNLIM   | -40 to 125   | LHCB                    | <a href="#">Samples</a> |
| LP3872EMP-5.0/NOPB  | ACTIVE        | SOT-223          | NDC             | 5    | 1000        | Green (RoHS & no Sb/Br) | CU SN                   | Level-1-260C-UNLIM   | -40 to 125   | LHDB                    | <a href="#">Samples</a> |
| LP3872EMPX-2.5/NOPB | ACTIVE        | SOT-223          | NDC             | 5    | 2000        | Green (RoHS & no Sb/Br) | CU SN                   | Level-1-260C-UNLIM   | -40 to 125   | LHBB                    | <a href="#">Samples</a> |
| LP3872EMPX-3.3/NOPB | ACTIVE        | SOT-223          | NDC             | 5    | 2000        | Green (RoHS & no Sb/Br) | CU SN                   | Level-1-260C-UNLIM   | -40 to 125   | LHCB                    | <a href="#">Samples</a> |
| LP3872ES-1.8/NOPB   | ACTIVE        | DDPAK/<br>TO-263 | KTT             | 5    | 45          | Pb-Free (RoHS Exempt)   | CU SN                   | Level-3-245C-168 HR  | -40 to 125   | LP3872ES<br>-1.8        | <a href="#">Samples</a> |
| LP3872ES-2.5        | NRND          | DDPAK/<br>TO-263 | KTT             | 5    | 45          | TBD                     | Call TI                 | Call TI              | -40 to 125   | LP3872ES<br>-2.5        |                         |
| LP3872ES-2.5/NOPB   | ACTIVE        | DDPAK/<br>TO-263 | KTT             | 5    | 45          | Pb-Free (RoHS Exempt)   | CU SN                   | Level-3-245C-168 HR  | -40 to 125   | LP3872ES<br>-2.5        | <a href="#">Samples</a> |
| LP3872ES-3.3/NOPB   | ACTIVE        | DDPAK/<br>TO-263 | KTT             | 5    | 45          | Pb-Free (RoHS Exempt)   | CU SN                   | Level-3-245C-168 HR  | -40 to 125   | LP3872ES<br>-3.3        | <a href="#">Samples</a> |
| LP3872ES-5.0/NOPB   | ACTIVE        | DDPAK/<br>TO-263 | KTT             | 5    | 45          | Pb-Free (RoHS Exempt)   | CU SN                   | Level-3-245C-168 HR  | -40 to 125   | LP3872ES<br>-5.0        | <a href="#">Samples</a> |
| LP3872ESX-1.8/NOPB  | ACTIVE        | DDPAK/<br>TO-263 | KTT             | 5    | 500         | Pb-Free (RoHS Exempt)   | CU SN                   | Level-3-245C-168 HR  | -40 to 125   | LP3872ES<br>-1.8        | <a href="#">Samples</a> |
| LP3872ESX-2.5/NOPB  | ACTIVE        | DDPAK/<br>TO-263 | KTT             | 5    | 500         | Pb-Free (RoHS Exempt)   | CU SN                   | Level-3-245C-168 HR  | -40 to 125   | LP3872ES<br>-2.5        | <a href="#">Samples</a> |
| LP3872ESX-3.3/NOPB  | ACTIVE        | DDPAK/<br>TO-263 | KTT             | 5    | 500         | Pb-Free (RoHS Exempt)   | CU SN                   | Level-3-245C-168 HR  | -40 to 125   | LP3872ES<br>-3.3        | <a href="#">Samples</a> |
| LP3872ESX-5.0/NOPB  | ACTIVE        | DDPAK/<br>TO-263 | KTT             | 5    | 500         | Pb-Free (RoHS Exempt)   | CU SN                   | Level-3-245C-168 HR  | -40 to 125   | LP3872ES<br>-5.0        | <a href="#">Samples</a> |
| LP3875EMP-1.8/NOPB  | ACTIVE        | SOT-223          | NDC             | 5    | 1000        | Green (RoHS & no Sb/Br) | CU SN                   | Level-1-260C-UNLIM   | -40 to 125   | LHLB                    | <a href="#">Samples</a> |
| LP3875EMP-2.5/NOPB  | ACTIVE        | SOT-223          | NDC             | 5    | 1000        | Green (RoHS & no Sb/Br) | CU SN                   | Level-1-260C-UNLIM   | -40 to 125   | LHNB                    | <a href="#">Samples</a> |

| Orderable Device   | Status<br>(1) | Package Type     | Package Drawing | Pins | Package Qty | Eco Plan<br>(2)         | Lead/Ball Finish<br>(6) | MSL Peak Temp<br>(3) | Op Temp (°C) | Device Marking<br>(4/5) | Samples                 |
|--------------------|---------------|------------------|-----------------|------|-------------|-------------------------|-------------------------|----------------------|--------------|-------------------------|-------------------------|
| LP3875EMP-3.3/NOPB | ACTIVE        | SOT-223          | NDC             | 5    | 1000        | Green (RoHS & no Sb/Br) | CU SN                   | Level-1-260C-UNLIM   | -40 to 125   | LHPB                    | <a href="#">Samples</a> |
| LP3875EMP-5.0/NOPB | ACTIVE        | SOT-223          | NDC             | 5    | 1000        | Green (RoHS & no Sb/Br) | CU SN                   | Level-1-260C-UNLIM   | -40 to 125   | LHRB                    | <a href="#">Samples</a> |
| LP3875ES-1.8/NOPB  | ACTIVE        | DDPAK/<br>TO-263 | KTT             | 5    | 45          | Pb-Free (RoHS Exempt)   | CU SN                   | Level-3-245C-168 HR  | -40 to 125   | LP3875ES<br>-1.8        | <a href="#">Samples</a> |
| LP3875ES-2.5/NOPB  | ACTIVE        | DDPAK/<br>TO-263 | KTT             | 5    | 45          | Pb-Free (RoHS Exempt)   | CU SN                   | Level-3-245C-168 HR  | -40 to 125   | LP3875ES<br>-2.5        | <a href="#">Samples</a> |
| LP3875ES-3.3/NOPB  | ACTIVE        | DDPAK/<br>TO-263 | KTT             | 5    | 45          | Pb-Free (RoHS Exempt)   | CU SN                   | Level-3-245C-168 HR  | -40 to 125   | LP3875ES<br>-3.3        | <a href="#">Samples</a> |
| LP3875ESX-1.8/NOPB | ACTIVE        | DDPAK/<br>TO-263 | KTT             | 5    | 500         | Pb-Free (RoHS Exempt)   | CU SN                   | Level-3-245C-168 HR  | -40 to 125   | LP3875ES<br>-1.8        | <a href="#">Samples</a> |
| LP3875ESX-2.5/NOPB | ACTIVE        | DDPAK/<br>TO-263 | KTT             | 5    | 500         | Pb-Free (RoHS Exempt)   | CU SN                   | Level-3-245C-168 HR  | -40 to 125   | LP3875ES<br>-2.5        | <a href="#">Samples</a> |
| LP3875ESX-3.3/NOPB | ACTIVE        | DDPAK/<br>TO-263 | KTT             | 5    | 500         | Pb-Free (RoHS Exempt)   | CU SN                   | Level-3-245C-168 HR  | -40 to 125   | LP3875ES<br>-3.3        | <a href="#">Samples</a> |
| LP3875ET-3.3/NOPB  | ACTIVE        | TO-220           | NDH             | 5    | 45          | Green (RoHS & no Sb/Br) | CU SN                   | Level-1-NA-UNLIM     | -40 to 125   | LP3875ET<br>-3.3        | <a href="#">Samples</a> |

(1) The marketing status values are defined as follows:

**ACTIVE:** Product device recommended for new designs.

**LIFEBUY:** TI has announced that the device will be discontinued, and a lifetime-buy period is in effect.

**NRND:** Not recommended for new designs. Device is in production to support existing customers, but TI does not recommend using this part in a new design.

**PREVIEW:** Device has been announced but is not in production. Samples may or may not be available.

**OBSELETE:** TI has discontinued the production of the device.

(2) **RoHS:** TI defines "RoHS" to mean semiconductor products that are compliant with the current EU RoHS requirements for all 10 RoHS substances, including the requirement that RoHS substance do not exceed 0.1% by weight in homogeneous materials. Where designed to be soldered at high temperatures, "RoHS" products are suitable for use in specified lead-free processes. TI may reference these types of products as "Pb-Free".

**RoHS Exempt:** TI defines "RoHS Exempt" to mean products that contain lead but are compliant with EU RoHS pursuant to a specific EU RoHS exemption.

**Green:** TI defines "Green" to mean the content of Chlorine (Cl) and Bromine (Br) based flame retardants meet JS709B low halogen requirements of <=1000ppm threshold. Antimony trioxide based flame retardants must also meet the <=1000ppm threshold requirement.

(3) MSL, Peak Temp. - The Moisture Sensitivity Level rating according to the JEDEC industry standard classifications, and peak solder temperature.

(4) There may be additional marking, which relates to the logo, the lot trace code information, or the environmental category on the device.

<sup>(5)</sup> Multiple Device Markings will be inside parentheses. Only one Device Marking contained in parentheses and separated by a "-" will appear on a device. If a line is indented then it is a continuation of the previous line and the two combined represent the entire Device Marking for that device.

<sup>(6)</sup> Lead/Ball Finish - Orderable Devices may have multiple material finish options. Finish options are separated by a vertical ruled line. Lead/Ball Finish values may wrap to two lines if the finish value exceeds the maximum column width.

**Important Information and Disclaimer:**The information provided on this page represents TI's knowledge and belief as of the date that it is provided. TI bases its knowledge and belief on information provided by third parties, and makes no representation or warranty as to the accuracy of such information. Efforts are underway to better integrate information from third parties. TI has taken and continues to take reasonable steps to provide representative and accurate information but may not have conducted destructive testing or chemical analysis on incoming materials and chemicals. TI and TI suppliers consider certain information to be proprietary, and thus CAS numbers and other limited information may not be available for release.

In no event shall TI's liability arising out of such information exceed the total purchase price of the TI part(s) at issue in this document sold by TI to Customer on an annual basis.

**TAPE AND REEL INFORMATION**

**QUADRANT ASSIGNMENTS FOR PIN 1 ORIENTATION IN TAPE**


\*All dimensions are nominal

| Device              | Package Type     | Package Drawing | Pins | SPQ  | Reel Diameter (mm) | Reel Width W1 (mm) | A0 (mm) | B0 (mm) | K0 (mm) | P1 (mm) | W (mm) | Pin1 Quadrant |
|---------------------|------------------|-----------------|------|------|--------------------|--------------------|---------|---------|---------|---------|--------|---------------|
| LP3872EMP-1.8/NOPB  | SOT-223          | NDC             | 5    | 1000 | 330.0              | 16.4               | 7.0     | 7.5     | 2.2     | 12.0    | 16.0   | Q3            |
| LP3872EMP-2.5/NOPB  | SOT-223          | NDC             | 5    | 1000 | 330.0              | 16.4               | 7.0     | 7.5     | 2.2     | 12.0    | 16.0   | Q3            |
| LP3872EMP-3.3/NOPB  | SOT-223          | NDC             | 5    | 1000 | 330.0              | 16.4               | 7.0     | 7.5     | 2.2     | 12.0    | 16.0   | Q3            |
| LP3872EMP-5.0/NOPB  | SOT-223          | NDC             | 5    | 1000 | 330.0              | 16.4               | 7.0     | 7.5     | 2.2     | 12.0    | 16.0   | Q3            |
| LP3872EMPX-2.5/NOPB | SOT-223          | NDC             | 5    | 2000 | 330.0              | 16.4               | 7.0     | 7.5     | 2.2     | 12.0    | 16.0   | Q3            |
| LP3872EMPX-3.3/NOPB | SOT-223          | NDC             | 5    | 2000 | 330.0              | 16.4               | 7.0     | 7.5     | 2.2     | 12.0    | 16.0   | Q3            |
| LP3872ESX-1.8/NOPB  | DDPAK/<br>TO-263 | KTT             | 5    | 500  | 330.0              | 24.4               | 10.75   | 14.85   | 5.0     | 16.0    | 24.0   | Q2            |
| LP3872ESX-2.5/NOPB  | DDPAK/<br>TO-263 | KTT             | 5    | 500  | 330.0              | 24.4               | 10.75   | 14.85   | 5.0     | 16.0    | 24.0   | Q2            |
| LP3872ESX-3.3/NOPB  | DDPAK/<br>TO-263 | KTT             | 5    | 500  | 330.0              | 24.4               | 10.75   | 14.85   | 5.0     | 16.0    | 24.0   | Q2            |
| LP3872ESX-5.0/NOPB  | DDPAK/<br>TO-263 | KTT             | 5    | 500  | 330.0              | 24.4               | 10.75   | 14.85   | 5.0     | 16.0    | 24.0   | Q2            |
| LP3875EMP-1.8/NOPB  | SOT-223          | NDC             | 5    | 1000 | 330.0              | 16.4               | 7.0     | 7.5     | 2.2     | 12.0    | 16.0   | Q3            |
| LP3875EMP-2.5/NOPB  | SOT-223          | NDC             | 5    | 1000 | 330.0              | 16.4               | 7.0     | 7.5     | 2.2     | 12.0    | 16.0   | Q3            |
| LP3875EMP-3.3/NOPB  | SOT-223          | NDC             | 5    | 1000 | 330.0              | 16.4               | 7.0     | 7.5     | 2.2     | 12.0    | 16.0   | Q3            |
| LP3875EMP-5.0/NOPB  | SOT-223          | NDC             | 5    | 1000 | 330.0              | 16.4               | 7.0     | 7.5     | 2.2     | 12.0    | 16.0   | Q3            |
| LP3875ESX-1.8/NOPB  | DDPAK/<br>TO-263 | KTT             | 5    | 500  | 330.0              | 24.4               | 10.75   | 14.85   | 5.0     | 16.0    | 24.0   | Q2            |

| Device             | Package Type | Package Drawing | Pins | SPQ | Reel Diameter (mm) | Reel Width W1 (mm) | A0 (mm) | B0 (mm) | K0 (mm) | P1 (mm) | W (mm) | Pin1 Quadrant |
|--------------------|--------------|-----------------|------|-----|--------------------|--------------------|---------|---------|---------|---------|--------|---------------|
|                    | TO-263       |                 |      |     |                    |                    |         |         |         |         |        |               |
| LP3875ESX-2.5/NOPB | DDPAK/TO-263 | KTT             | 5    | 500 | 330.0              | 24.4               | 10.75   | 14.85   | 5.0     | 16.0    | 24.0   | Q2            |
| LP3875ESX-3.3/NOPB | DDPAK/TO-263 | KTT             | 5    | 500 | 330.0              | 24.4               | 10.75   | 14.85   | 5.0     | 16.0    | 24.0   | Q2            |

## TAPE AND REEL BOX DIMENSIONS



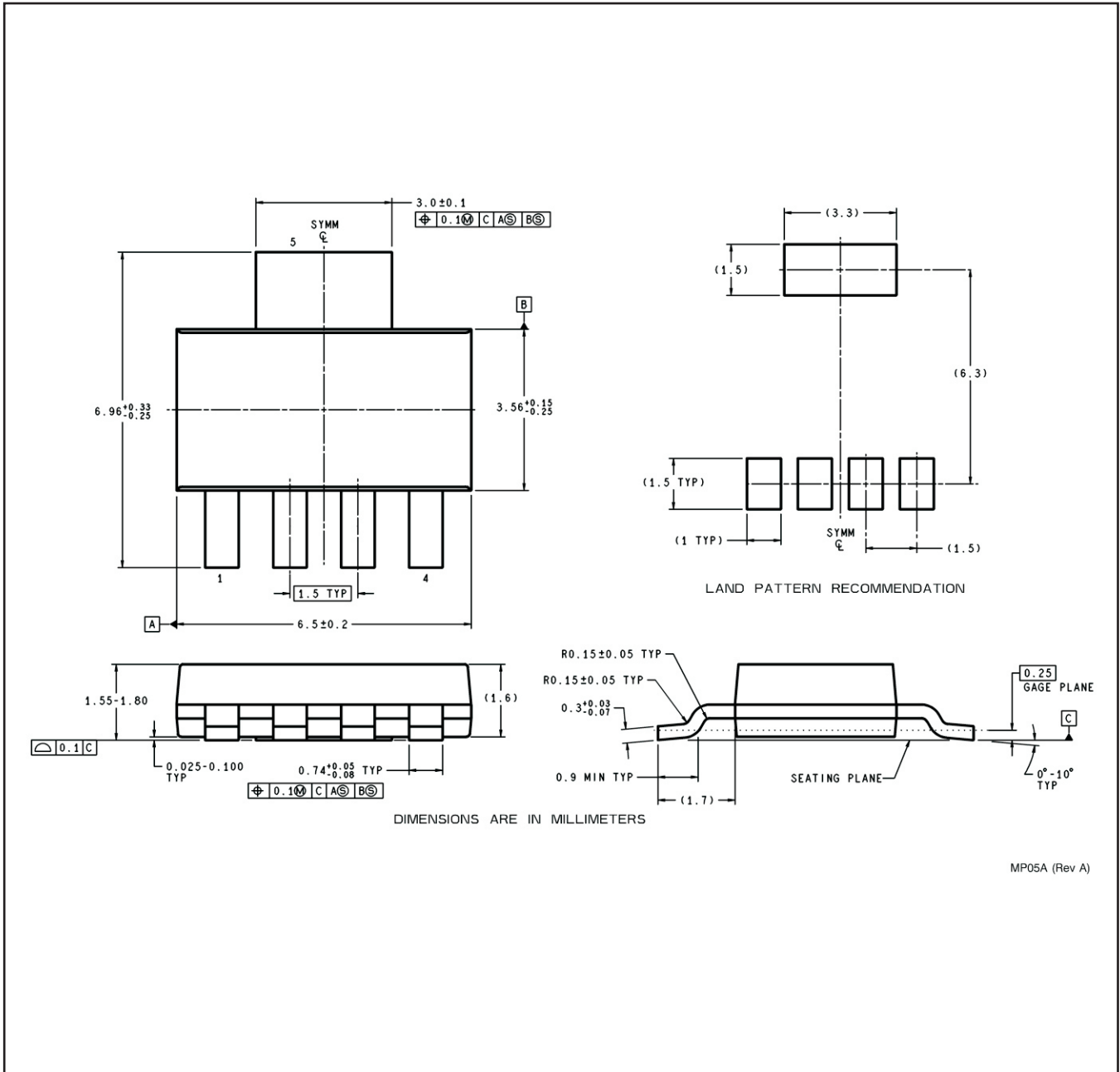
\*All dimensions are nominal

| Device              | Package Type | Package Drawing | Pins | SPQ  | Length (mm) | Width (mm) | Height (mm) |
|---------------------|--------------|-----------------|------|------|-------------|------------|-------------|
| LP3872EMP-1.8/NOPB  | SOT-223      | NDC             | 5    | 1000 | 367.0       | 367.0      | 35.0        |
| LP3872EMP-2.5/NOPB  | SOT-223      | NDC             | 5    | 1000 | 367.0       | 367.0      | 35.0        |
| LP3872EMP-3.3/NOPB  | SOT-223      | NDC             | 5    | 1000 | 367.0       | 367.0      | 35.0        |
| LP3872EMP-5.0/NOPB  | SOT-223      | NDC             | 5    | 1000 | 367.0       | 367.0      | 35.0        |
| LP3872EMPX-2.5/NOPB | SOT-223      | NDC             | 5    | 2000 | 367.0       | 367.0      | 35.0        |
| LP3872EMPX-3.3/NOPB | SOT-223      | NDC             | 5    | 2000 | 367.0       | 367.0      | 35.0        |
| LP3872ESX-1.8/NOPB  | DDPAK/TO-263 | KTT             | 5    | 500  | 367.0       | 367.0      | 45.0        |
| LP3872ESX-2.5/NOPB  | DDPAK/TO-263 | KTT             | 5    | 500  | 367.0       | 367.0      | 45.0        |
| LP3872ESX-3.3/NOPB  | DDPAK/TO-263 | KTT             | 5    | 500  | 367.0       | 367.0      | 45.0        |
| LP3872ESX-5.0/NOPB  | DDPAK/TO-263 | KTT             | 5    | 500  | 367.0       | 367.0      | 45.0        |
| LP3875EMP-1.8/NOPB  | SOT-223      | NDC             | 5    | 1000 | 367.0       | 367.0      | 35.0        |
| LP3875EMP-2.5/NOPB  | SOT-223      | NDC             | 5    | 1000 | 367.0       | 367.0      | 35.0        |

---

| Device             | Package Type | Package Drawing | Pins | SPQ  | Length (mm) | Width (mm) | Height (mm) |
|--------------------|--------------|-----------------|------|------|-------------|------------|-------------|
| LP3875EMP-3.3/NOPB | SOT-223      | NDC             | 5    | 1000 | 367.0       | 367.0      | 35.0        |
| LP3875EMP-5.0/NOPB | SOT-223      | NDC             | 5    | 1000 | 367.0       | 367.0      | 35.0        |
| LP3875ESX-1.8/NOPB | DDPAK/TO-263 | KTT             | 5    | 500  | 367.0       | 367.0      | 45.0        |
| LP3875ESX-2.5/NOPB | DDPAK/TO-263 | KTT             | 5    | 500  | 367.0       | 367.0      | 45.0        |
| LP3875ESX-3.3/NOPB | DDPAK/TO-263 | KTT             | 5    | 500  | 367.0       | 367.0      | 45.0        |

NDC0005A



MP05A (Rev A)



KTT0005B



TS5B (Rev D)

## IMPORTANT NOTICE AND DISCLAIMER

TI PROVIDES TECHNICAL AND RELIABILITY DATA (INCLUDING DATASHEETS), DESIGN RESOURCES (INCLUDING REFERENCE DESIGNS), APPLICATION OR OTHER DESIGN ADVICE, WEB TOOLS, SAFETY INFORMATION, AND OTHER RESOURCES "AS IS" AND WITH ALL FAULTS, AND DISCLAIMS ALL WARRANTIES, EXPRESS AND IMPLIED, INCLUDING WITHOUT LIMITATION ANY IMPLIED WARRANTIES OF MERCHANTABILITY, FITNESS FOR A PARTICULAR PURPOSE OR NON-INFRINGEMENT OF THIRD PARTY INTELLECTUAL PROPERTY RIGHTS.

These resources are intended for skilled developers designing with TI products. You are solely responsible for (1) selecting the appropriate TI products for your application, (2) designing, validating and testing your application, and (3) ensuring your application meets applicable standards, and any other safety, security, or other requirements. These resources are subject to change without notice. TI grants you permission to use these resources only for development of an application that uses the TI products described in the resource. Other reproduction and display of these resources is prohibited. No license is granted to any other TI intellectual property right or to any third party intellectual property right. TI disclaims responsibility for, and you will fully indemnify TI and its representatives against, any claims, damages, costs, losses, and liabilities arising out of your use of these resources.

TI's products are provided subject to TI's Terms of Sale ([www.ti.com/legal/termsofsale.html](http://www.ti.com/legal/termsofsale.html)) or other applicable terms available either on [ti.com](http://ti.com) or provided in conjunction with such TI products. TI's provision of these resources does not expand or otherwise alter TI's applicable warranties or warranty disclaimers for TI products.

Mailing Address: Texas Instruments, Post Office Box 655303, Dallas, Texas 75265  
Copyright © 2019, Texas Instruments Incorporated

## Looking for pricing, stock, or lifecycle information?

Click below to explore more details on WIN SOURCE:

 [View LP3875ES-2.5/NOPB on WIN SOURCE](#)

 [Texas Instruments](#) Information

## Optimize Your Supply Chain with WIN SOURCE Solutions

-  Global Sourcing Solution
-  Obsolete Management
-  Cost Control Management
-  Shortage Management
-  Alternative Solution
-  Excess Inventory Management