



## FEATURES

- **Guaranteed Offset Voltage:** 150 $\mu$ V Max  
 -55°C to 125°C: 500 $\mu$ V Max
- **Guaranteed Drift:** 4 $\mu$ V/°C Max
- **Guaranteed Bias Current**  
 70°C: 150pA Max  
 125°C: 2.5nA Max
- **Guaranteed Slew Rate:** 12V/ $\mu$ s Min
- Available in 8-Pin PDIP and SO Packages

## APPLICATIONS

- Precision, High Speed Instrumentation
- Logarithmic Amplifiers
- D/A Output Amplifiers
- Photodiode Amplifiers
- Voltage-to-Frequency Converters
- Frequency-to-Voltage Converters
- Fast, Precision Sample-and-Hold

## DESCRIPTION

The **LT<sup>®</sup>1055/LT1056** JFET input operational amplifiers combine precision specifications with high speed performance.

For the first time, 16V/ $\mu$ s slew rate and 6.5MHz gain bandwidth product are simultaneously achieved with offset voltage of typically 50 $\mu$ V, 1.2 $\mu$ V/°C drift, bias currents of 40pA at 70°C and 500pA at 125°C.

The 150 $\mu$ V maximum offset voltage specification is the best available on any JFET input operational amplifier.

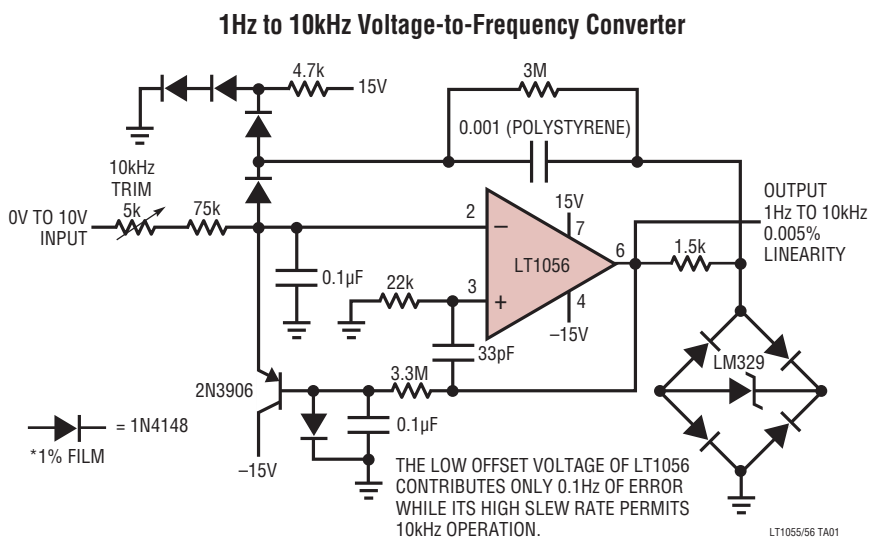
The LT1055 and LT1056 are differentiated by their operating currents. The lower power dissipation LT1055 achieves lower bias and offset currents and offset voltage. The additional power dissipation of the LT1056 permits higher slew rate, bandwidth and faster settling time with a slight sacrifice in DC performance.

The voltage-to-frequency converter shown below is one of the many applications which utilize both the precision and high speed of the LT1055/LT1056.

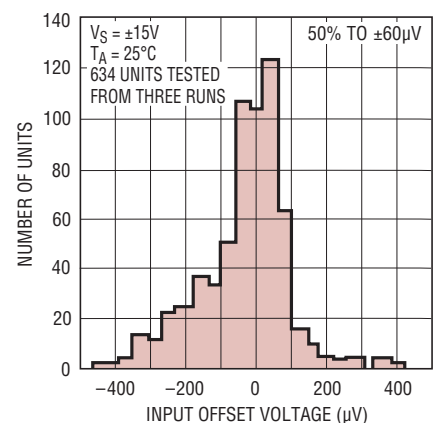
For a JFET input op amp with 23V/ $\mu$ s guaranteed slew rate, refer to the LT1022 data sheet.

**LT**, LT, LTC, LTM, Linear Technology and the Linear logo are registered trademarks of Linear Technology Corporation. All other trademarks are the property of their respective owners.

## TYPICAL APPLICATION



**Distribution of Input Offset Voltage  
 (H Package)**

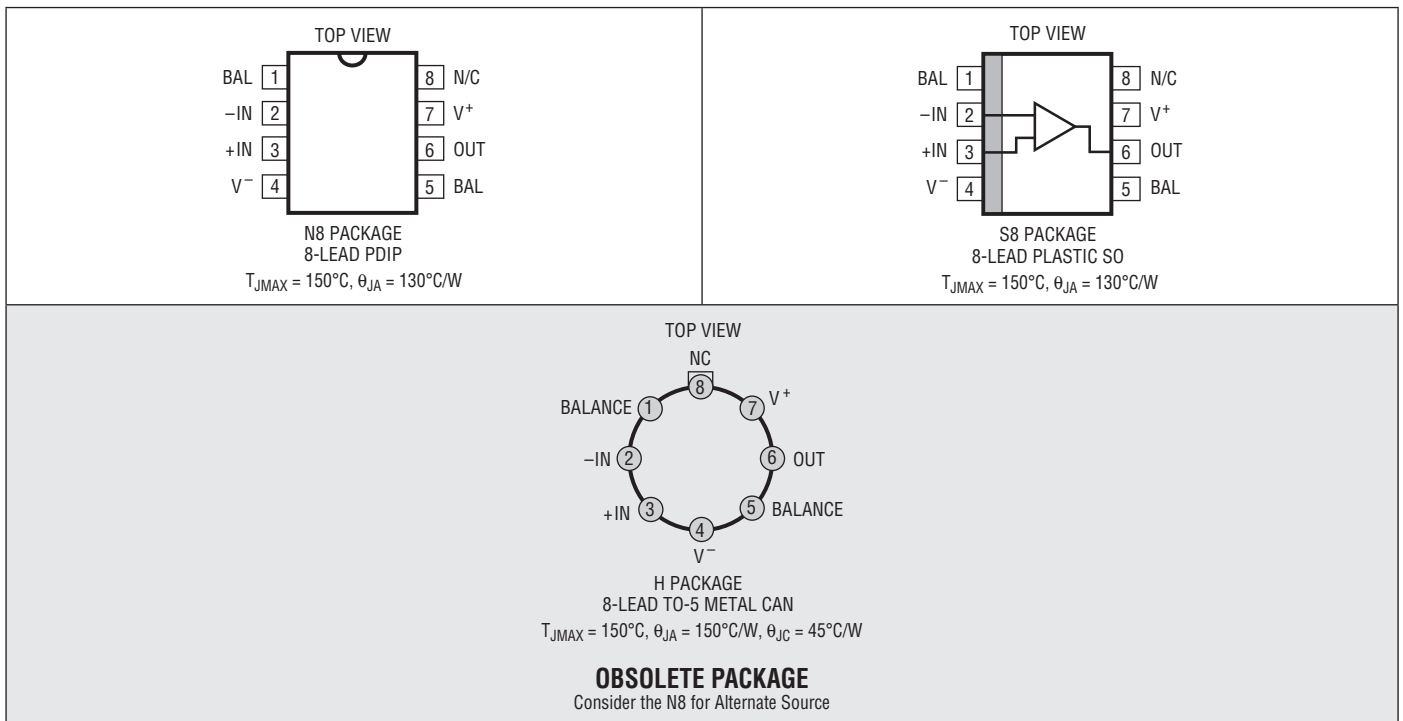


# LT1055/LT1056

## ABSOLUTE MAXIMUM RATINGS (Note 1)

Supply Voltage .....	±20V	LT1055AC/LT1055C/LT1056AC/ LT1056C .....	0°C to 70°C
Differential Input Voltage .....	±40V	Storage Temperature Range	All Devices .....
Input Voltage .....	±20V	Lead Temperature (Soldering, 10 sec).....	300°C
Output Short-Circuit Duration .....	Indefinite		
Operating Temperature Range			
LT1055AM/LT1055M/LT1056AM/ LT1056M (OBSOLETE) .....	-55°C to 125°C		

## PIN CONFIGURATION



## ORDER INFORMATION

LEAD FREE FINISH	TAPE AND REEL	PART MARKING	PACKAGE DESCRIPTION	TEMPERATURE RANGE
LT1055CN8#PBF	LT1055CN8#TRPBF	LT1055CN8	8-Lead PDIP	0°C to 70°C
LT1056CN8#PBF	LT1056CN8#TRPBF	LT1056CN8	8-Lead PDIP	0°C to 70°C
LT1055S8#PBF	LT1055S8#TRPBF	1055	8-Lead Plastic SO	0°C to 70°C
LT1056S8#PBF	LT1056S8#TRPBF	1056	8-Lead Plastic SO	0°C to 70°C
OBSOLETE PACKAGE				
LT1055ACH#PBF	LT1055ACH#TRPBF	LT1055ACH	8-Lead TO-5 Metal Can	0°C to 70°C
LT1055CH#PBF	LT1055CH#TRPBF	LT1055CH	8-Lead TO-5 Metal Can	0°C to 70°C
LT1055AMH#PBF	LT1055AMH#TRPBF	LT1055AMH	8-Lead TO-5 Metal Can	-55°C to 125°C
LT1055MH#PBF	LT1055MH#TRPBF	LT1055MH	8-Lead TO-5 Metal Can	-55°C to 125°C
LT1056ACH#PBF	LT1056ACH#TRPBF	LT1056ACH	8-Lead TO-5 Metal Can	0°C to 70°C
LT1056CH#PBF	LT1056CH#TRPBF	LT1056CH	8-Lead TO-5 Metal Can	0°C to 70°C
LT1056AMH#PBF	LT1056AMH#TRPBF	LT1056AMH	8-Lead TO-5 Metal Can	-55°C to 125°C
LT1056MH#PBF	LT1056MH#TRPBF	LT1056MH	8-Lead TO-5 Metal Can	-55°C to 125°C

Consult LTC Marketing for parts specified with wider operating temperature ranges.  
 Consult LTC Marketing for information on nonstandard lead based finish parts.

For more information on lead free part markings, go to: <http://www.linear.com/leadfree/>

For more information on tape and reel specifications, go to: <http://www.linear.com/tapeandreel/>

## ELECTRICAL CHARACTERISTICS $T_A = 25^\circ\text{C}$ . $V_S = \pm 15\text{V}$ , $V_{CM} = 0\text{V}$ unless otherwise noted.

SYMBOL	PARAMETER	CONDITIONS	LT1055AM/LT1056AM LT1055AC/LT1056AC			LT1055M/LT1056M LT1055CH/LT1056CH LT1055CN8/LT1056CN8			UNITS
			MIN	TYP	MAX	MIN	TYP	MAX	
$V_{OS}$	Input Offset Voltage (Note 2)	LT1055 H Package		50	150		70	400	$\mu\text{V}$
		LT1056 H Package		50	180		70	450	$\mu\text{V}$
		LT1055 N8 Package					120	700	$\mu\text{V}$
		LT1056 N8 Package					140	800	$\mu\text{V}$
$I_{OS}$	Input Offset Current	Fully Warmed Up		2	10		2	20	$\text{pA}$
		Fully Warmed Up $V_{CM} = 10\text{V}$		$\pm 10$	$\pm 50$		$\pm 10$	$\pm 50$	$\text{pA}$
$I_B$	Input Bias Current			30	130		30	150	$\text{pA}$
		Input Resistance:Differential	Common Mode $V_{CM} = -11\text{V to } 8\text{V}$ $V_{CM} = 8\text{V to } 11\text{V}$		$10^{12}$			$10^{12}$	
	$10^{12}$					$10^{12}$		$\Omega$	
$e_n$	Input Capacitance			$10^{11}$			$10^{11}$		$\Omega$
				4			4		$\text{pF}$
$e_n$	Input Noise Voltage	0.1Hz to 10Hz	LT1055	1.8			2.0		$\mu\text{V}_{P-P}$
			LT1056	2.5			2.8		$\mu\text{V}_{P-P}$
$e_n$	Input Noise Voltage Density	$f_0 = 10\text{Hz}$ (Note 3)		28	50		30	60	$\text{nV}/\sqrt{\text{Hz}}$
		$f_0 = 1\text{kHz}$ (Note 4)		14	20		15	22	$\text{nV}/\sqrt{\text{Hz}}$
$I_n$	Input Noise Current Density	$f_0 = 10\text{Hz}, 1\text{kHz}$ (Note 5)		1.8	4		1.8	4	$\text{fA}/\sqrt{\text{Hz}}$
$A_{VOL}$	Large-Signal Voltage Gain	$V_0 = \pm 10\text{V}$ $R_L = 2\text{k}$ $R_L = 1\text{k}$		150	400		120	400	$\text{V}/\text{mV}$
				130	300		100	300	$\text{V}/\text{mV}$
	Input Voltage Range		$\pm 11$	$\pm 12$		$\pm 11$	$\pm 12$	$\text{V}$	
CMRR	Common Mode Rejection Ratio	$V_{CM} = \pm 11\text{V}$		86	100		83	98	$\text{dB}$
PSRR	Power Supply Rejection Ratio	$V_S = \pm 10\text{V to } \pm 18\text{V}$		90	106		88	104	$\text{dB}$
$V_{OUT}$	Output Voltage Swing	$R_L = 2\text{k}$		$\pm 12$	$\pm 13.2$		$\pm 12$	$\pm 13.2$	$\text{V}$

10556fd

# LT1055/LT1056

## ELECTRICAL CHARACTERISTICS $T_A = 25^\circ\text{C}$ . $V_S = \pm 15\text{V}$ , $V_{CM} = 0\text{V}$ unless otherwise noted.†

SYMBOL	PARAMETER	CONDITIONS	LT1055AM/LT1056AM LT1055AC/LT1056AC			LT1055M/LT1056M LT1055CH/LT1056CH LT1055CN8/LT1056CN8			UNITS
			MIN	TYP	MAX	MIN	TYP	MAX	
SR	Slew Rate	LT1055	10	13		7.5	12		V/ $\mu\text{s}$
		LT1056	12	16		9.0	14		V/ $\mu\text{s}$
GBW	Gain Bandwidth Product	f = 1MHz LT1055		5.0			4.5		MHz
		LT1056		6.5			5.5		MHz
$I_S$	Supply Current	LT1055		2.8	4.0		2.8	4.0	mA
		LT1056		5.0	6.5		5.0	7.0	mA
	Offset Voltage Adjustment Range	$R_{POT} = 100\text{k}$		$\pm 5$			$\pm 5$		mV

The ● denotes the specifications which apply over the temperature range  $0^\circ\text{C} \leq T_A \leq 70^\circ\text{C}$ .  $V_S = \pm 15\text{V}$ ,  $V_{CM} = 0\text{V}$  unless otherwise noted.

SYMBOL	PARAMETER	CONDITIONS	LT1055AC LT1056AC			LT1055CH/LT1056CH LT1055CN8/LT1056CN8			UNITS
			MIN	TYP	MAX	MIN	TYP	MAX	
$V_{OS}$	Input Offset Voltage (Note 2)	LT1055 H Package	●	100	330		140	750	$\mu\text{V}$
		LT1056 H Package	●	100	360		140	800	$\mu\text{V}$
		LT1055 N8 Package	●				250	1250	$\mu\text{V}$
		LT1056 N8 Package	●				280	1350	$\mu\text{V}$
	Average Temperature Coefficient of Input Offset Voltage	H Package (Note 6)	●	1.2	4.0		1.6	8.0	$\mu\text{V}/^\circ\text{C}$
		N8 Package (Note 6)	●				3.0	12.0	$\mu\text{V}/^\circ\text{C}$
$I_{OS}$	Input Offset Current	Warmed Up $T_A = 70^\circ\text{C}$ LT1055	●	10	50		16	80	pA
		LT1056	●	14	70		18	100	pA
$I_B$	Input Bias Current	Warmed Up $T_A = 70^\circ\text{C}$ LT1055	●	$\pm 30$	$\pm 150$		$\pm 40$	$\pm 200$	pA
		LT1056	●	$\pm 40$	$\pm 80$		$\pm 50$	$\pm 240$	pA
$A_{VOL}$	Large-Signal Voltage Gain	$V_O = \pm 10\text{V}$ , $R_L = 2\text{k}$	●	80	250		60	250	V/mV
CMRR	Common Mode Rejection Ratio	$V_{CM} = \pm 10.5\text{V}$	●	85	100		82	98	dB
PSRR	Power Supply Rejection Ratio	$V_S = \pm 10\text{V}$ to $\pm 18\text{V}$	●	89	105		87	103	dB
$V_{OUT}$	Output Voltage Swing	$R_L = 2\text{k}$	●	$\pm 12$	$\pm 13.1$		$\pm 12$	$\pm 13.1$	V

The ● denotes the specifications which apply over the temperature range  $-55^\circ\text{C} \leq T_A \leq 125^\circ\text{C}$ .  $V_S = \pm 15\text{V}$ ,  $V_{CM} = 0\text{V}$ , unless otherwise noted.

SYMBOL	PARAMETER	CONDITIONS	LT1055AM LT1056AM			LT1055M LT1056M			UNITS
			MIN	TYP	MAX	MIN	TYP	MAX	
$V_{OS}$	Input Offset Voltage (Note 2)	LT1055	●	180	500		250	1200	$\mu\text{V}$
		LT1056	●	180	550		250	1250	$\mu\text{V}$
	Average Temperature Coefficient of Input Offset Voltage	(Note 6)	●	1.3	4.0		1.8	8.0	$\mu\text{V}/^\circ\text{C}$
$I_{OS}$	Input Offset Current	Warmed Up $T_A = 125^\circ\text{C}$ LT1055	●	0.20	1.2		0.25	1.8	nA
		LT1056	●	0.25	1.5		0.30	2.4	nA
$I_B$	Input Bias Current	Warmed Up $T_A = 125^\circ\text{C}$ LT1055	●	$\pm 0.4$	$\pm 2.5$		$\pm 0.5$	$\pm 4.0$	nA
		LT1056	●	$\pm 0.5$	$\pm 3.0$		$\pm 0.6$	$\pm 5.0$	nA
$A_{VOL}$	Large-Signal Voltage Gain	$V_O = \pm 10\text{V}$ , $R_L = 2\text{k}$	●	40	120		35	120	V/mV
CMRR	Common Mode Rejection Ratio	$V_{CM} = \pm 10.5\text{V}$	●	85	100		82	98	dB
PSRR	Power Supply Rejection Ratio	$V_S = \pm 10\text{V}$ to $\pm 17\text{V}$	●	88	104		86	102	dB
$V_{OUT}$	Output Voltage Swing	$R_L = 2\text{k}$	●	$\pm 12$	$\pm 12.9$		$\pm 12$	$\pm 12.9$	V

10556fd

**ELECTRICAL CHARACTERISTICS**  $T_A = 25^\circ\text{C}$ .  $V_S = \pm 15\text{V}$ ,  $V_{CM} = 0\text{V}$  unless otherwise noted.

SYMBOL	PARAMETER	CONDITIONS	LT1055CS8/LT1056CS8			UNITS
			MIN	TYP	MAX	
$V_{OS}$	Input Offset Voltage (Note 2)			500	1500	$\mu\text{V}$
$I_{OS}$	Input Offset Current	Fully Warmed Up		5	30	$\text{pA}$
$I_B$	Input Bias Current	Fully Warmed Up $V_{CM} = 10\text{V}$		$\pm 30$ 30	$\pm 100$ 150	$\text{pA}$ $\text{pA}$
	Input Resistance	Differential Common Mode $V_{CM} = -11\text{V}$ to $8\text{V}$ $V_{CM} = 8\text{V}$ to $11\text{V}$		0.4 0.4 0.05		$\text{T}\Omega$ $\text{T}\Omega$ $\text{T}\Omega$
	Input Capacitance			4		$\text{pF}$
$e_n$	Input Noise Voltage	0.1Hz to 10Hz	LT1055 LT1056	2.5 3.5		$\mu\text{V}_{P-P}$ $\mu\text{V}_{P-P}$
	Input Noise Voltage Density	$f_0 = 10\text{Hz}$ (Note 4) $f_0 = 1\text{kHz}$ (Note 4)		35 15	70 22	$\text{nV}/\sqrt{\text{Hz}}$ $\text{nV}/\sqrt{\text{Hz}}$
$i_n$	Input Noise Current Density	$f_0 = 10\text{Hz}$ , $1\text{kHz}$ (Note 5)		2.5	10	$\text{fA}/\sqrt{\text{Hz}}$
$A_{VOL}$	Large-Signal Voltage Gain	$V_0 = \pm 10\text{V}$	$R_L = 2\text{k}$ $R_L = 1\text{k}$	120 100	400 300	$\text{V}/\text{mV}$ $\text{V}/\text{mV}$
	Input Voltage Range			$\pm 11$	$\pm 12$	$\text{V}$
CMRR	Common Mode Rejection Ratio	$V_{CM} = \pm 11\text{V}$		83	98	$\text{dB}$
PSRR	Power Supply Rejection Ratio	$V_S = \pm 10\text{V}$ to $\pm 18\text{V}$		88	104	$\text{dB}$
$V_{OUT}$	Output Voltage Swing	$R_L = 2\text{K}$		$\pm 12$	$\pm 13.2$	$\text{V}$
SR	Slew Rate		LT1055 LT1056	7.5 9.0	12 14	$\text{V}/\mu\text{s}$ $\text{V}/\mu\text{s}$
					4.5 5.5	$\text{MHz}$ $\text{MHz}$
GBW	Gain Bandwidth Product	$f = 1\text{MHz}$	LT1055 LT1056			
$I_S$	Supply Current		LT1055 LT1056	2.8 5.0	4.0 7.0	$\text{mA}$ $\text{mA}$
		Offset Voltage Adjustment Range	$R_{POT} = 100\text{k}$		$\pm 5$	

The ● denotes the specifications which apply over the temperature range  $0^\circ\text{C} \leq T_A \leq 70^\circ\text{C}$ .  $V_S = \pm 15\text{V}$ ,  $V_{CM} = 0\text{V}$  unless otherwise noted.

SYMBOL	PARAMETER	CONDITIONS		LT1055CS8/LT1056CS8			UNITS
				MIN	TYP	MAX	
$V_{OS}$	Input Offset Voltage (Note 2)		●		800	2200	$\mu\text{V}$
	Average Temperature Coefficient of Input Offset Voltage		●		4	15	$\mu\text{V}/^\circ\text{C}$
$I_{OS}$	Input Offset Current	Warmed Up, $T_A = 70^\circ\text{C}$	●		18	150	$\text{pA}$
$I_B$	Input Bias Current	Warmed Up, $T_A = 70^\circ\text{C}$	●		$\pm 60$	$\pm 400$	$\text{pA}$
$A_{VOL}$	Large-Signal Voltage Gain	$V_0 = \pm 10\text{V}$ , $R_L = 2\text{k}$	●	60	250		$\text{V}/\text{mV}$
CMRR	Common Mode Rejection Ratio	$V_{CM} = \pm 10.5\text{V}$	●	82	98		$\text{dB}$
PSRR	Power Supply Rejection Ratio	$V_S = \pm 10\text{V}$ to $\pm 18\text{V}$	●	87	103		$\text{dB}$
$V_{OUT}$	Output Voltage Swing	$R_L = 2\text{K}$	●	$\pm 12$	$\pm 13.1$		$\text{V}$

# LT1055/LT1056

## ELECTRICAL CHARACTERISTICS

For MIL-STD components, please refer to LTC883 data sheet for test listing and parameters.

**Note 1:** Stresses beyond those listed under Absolute Maximum Ratings may cause permanent damage to the device. Exposure to any Absolute Maximum Rating condition for extended periods may affect device reliability and lifetime.

**Note 2:** Offset voltage is measured under two different conditions: (a) approximately 0.5 seconds after application of power; (b) at  $T_A = 25^\circ\text{C}$  only, with the chip heated to approximately  $38^\circ\text{C}$  for the LT1055 and to  $45^\circ\text{C}$  for the LT1056, to account for chip temperature rise when the device is fully warmed up.

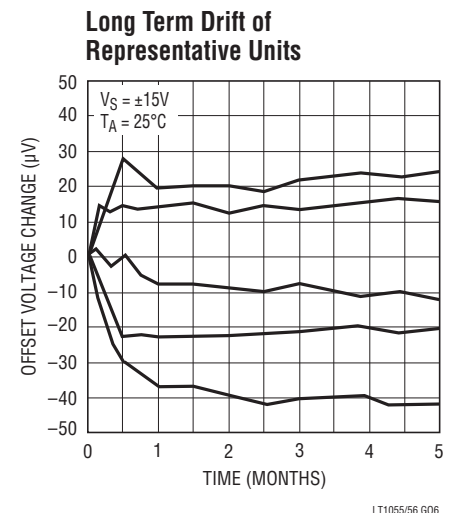
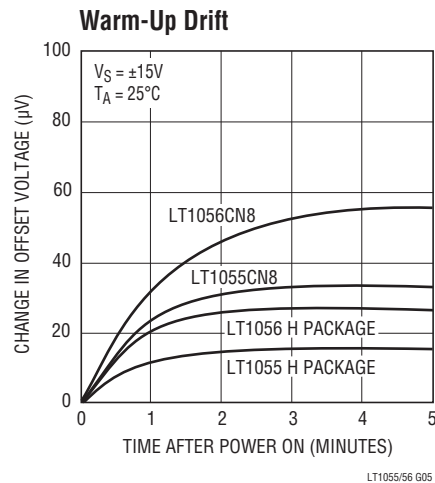
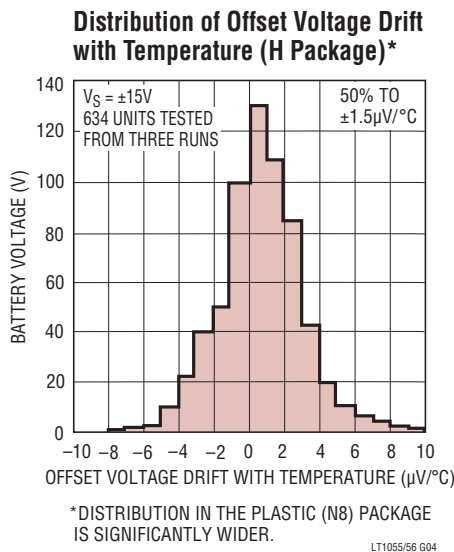
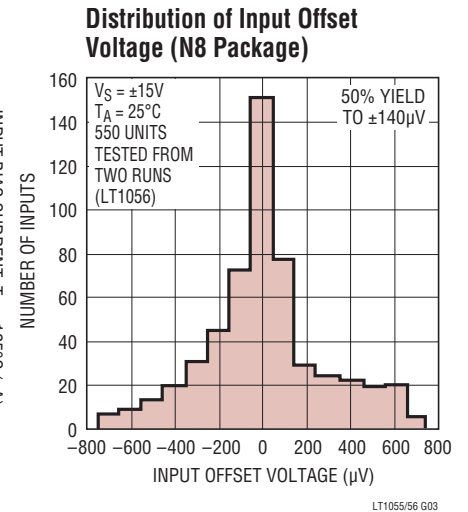
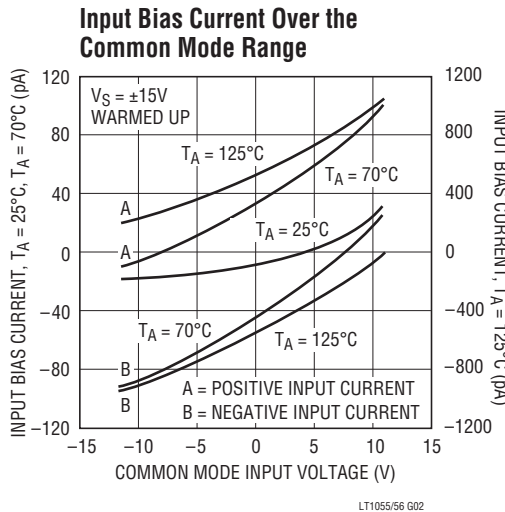
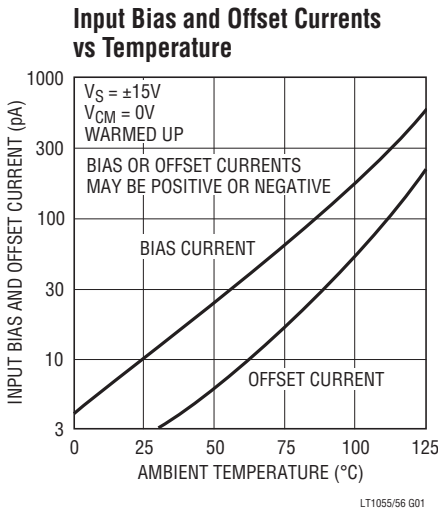
**Note 3:** 10Hz noise voltage density is sample tested on every lot of A grades. Devices 100% tested at 10Hz are available on request.

**Note 4:** This parameter is tested on a sample basis only.

**Note 5:** Current noise is calculated from the formula:  $i_n = (2qI_B)^{1/2}$ , where  $q = 1.6 \cdot 10^{-19}$  coulomb. The noise of source resistors up to  $1\text{G}\Omega$  swamps the contribution of current noise.

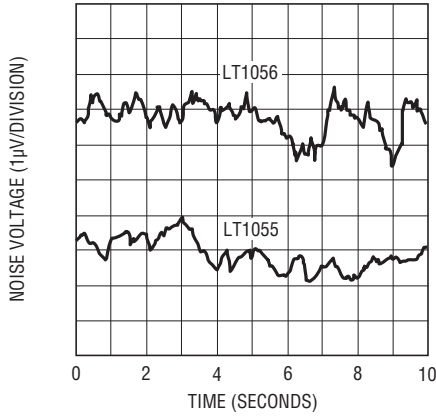
**Note 6:** Offset voltage drift with temperature is practically unchanged when the offset voltage is trimmed to zero with a 100k potentiometer between the balance terminals and the wiper tied to  $V^+$ . Devices tested to tighter drift specifications are available on request.

## TYPICAL PERFORMANCE CHARACTERISTICS



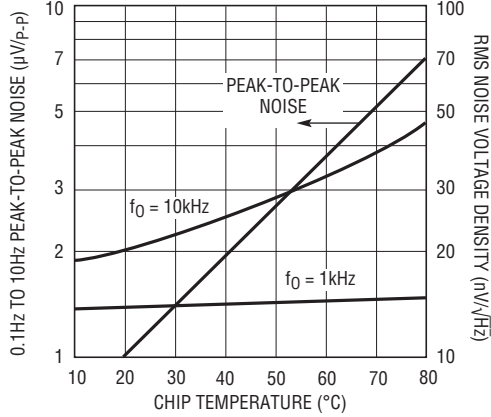
# TYPICAL PERFORMANCE CHARACTERISTICS

0.1Hz to 10Hz Noise



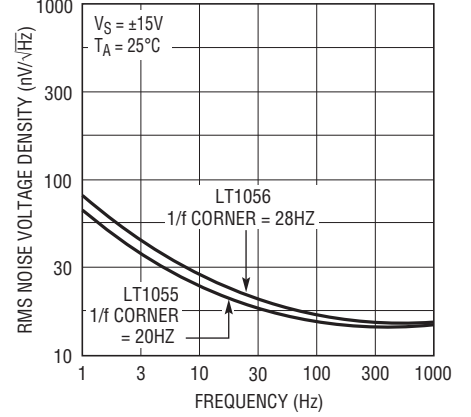
LT1055/56 G07

Noise vs Chip Temperature



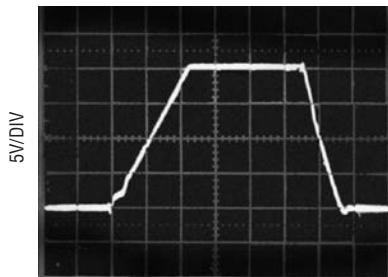
LT1055/56 G08

Voltage Noise vs Frequency



LT1055/56 G09

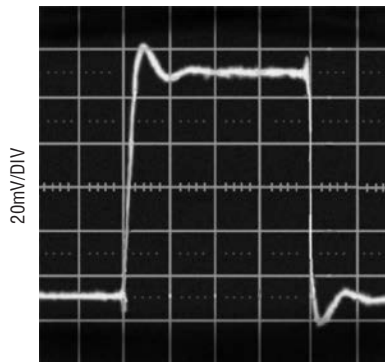
LT1056 Large-Signal Response



$A_V = 1, C_L = 100\text{pf}, 0.5\mu\text{s}/\text{DIV}$

LT1055/56 G10

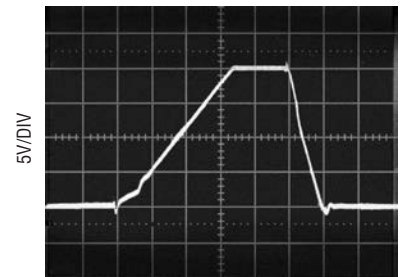
Small-Signal Response



$A_V = 1, C_L = 100\text{pf}, 0.2\mu\text{s}/\text{DIV}$

LT1055/56 G11

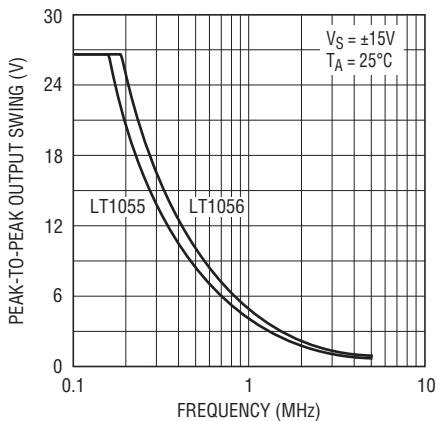
LT1055 Large-Signal Response



$A_V = 1, C_L = 100\text{pf}, 0.5\mu\text{s}/\text{DIV}$

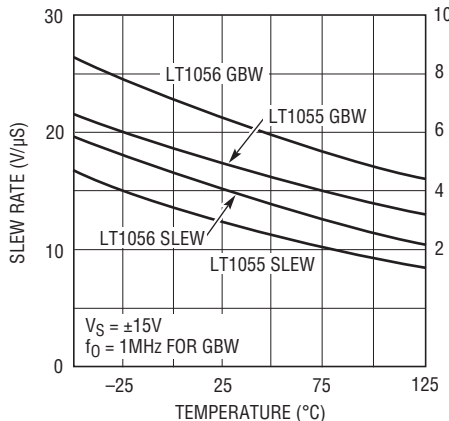
LT1055/56 G12

Undistorted Output Swing vs Frequency



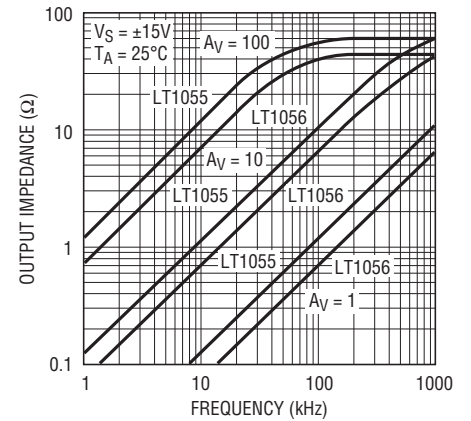
LT1055/56 G13

Slew Rate, Gain Bandwidth vs Temperature



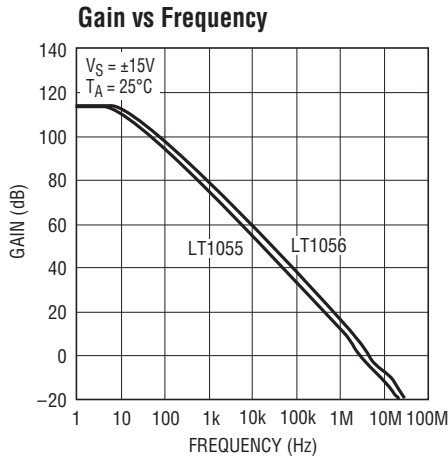
LT1055/56 G14

Output Impedance vs Frequency

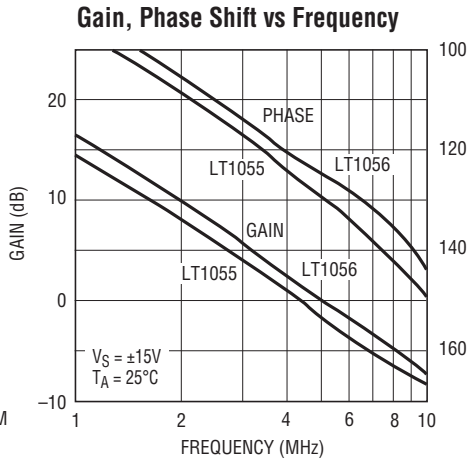


LT1055/56 G15

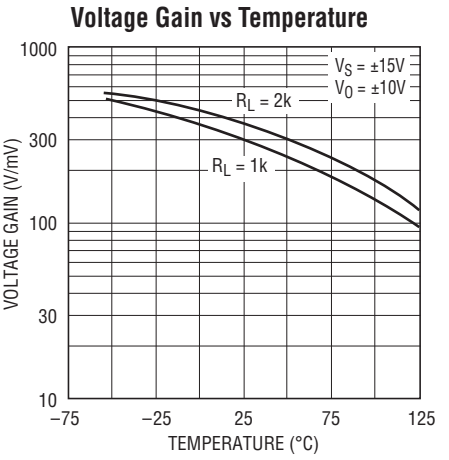
## TYPICAL PERFORMANCE CHARACTERISTICS



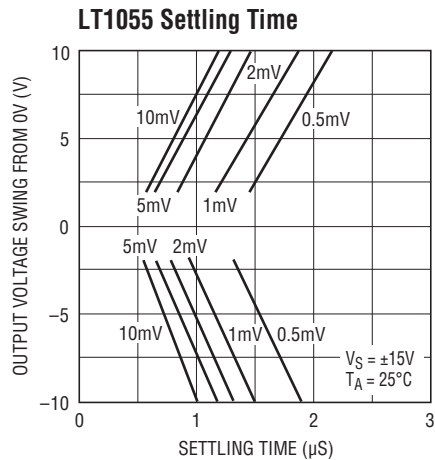
LT1055/56 G16



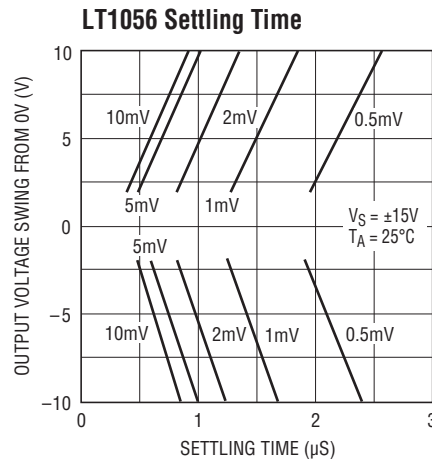
LT1055/56 G17



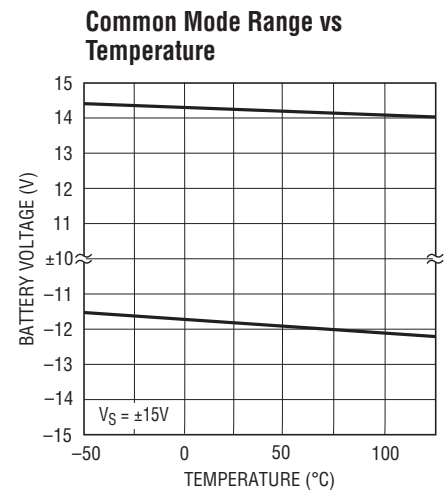
LT1055/56 G18



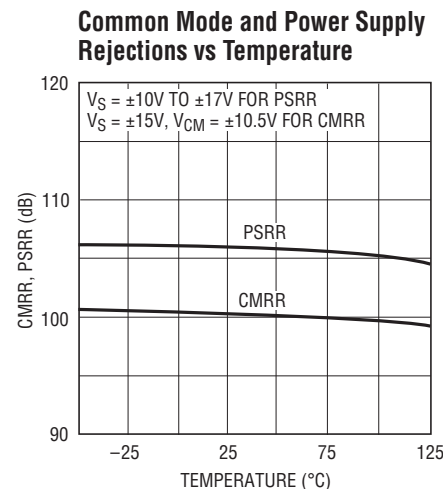
LT1055/56 G19



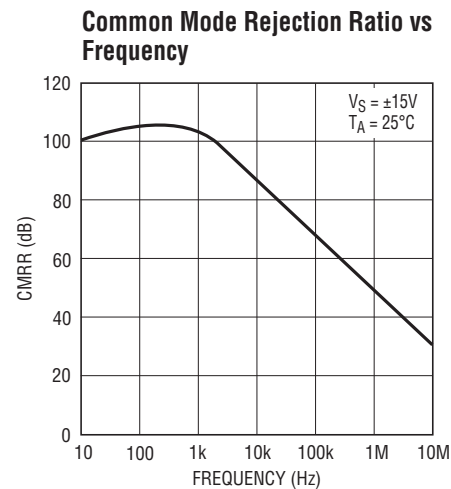
LT1055/56 G20



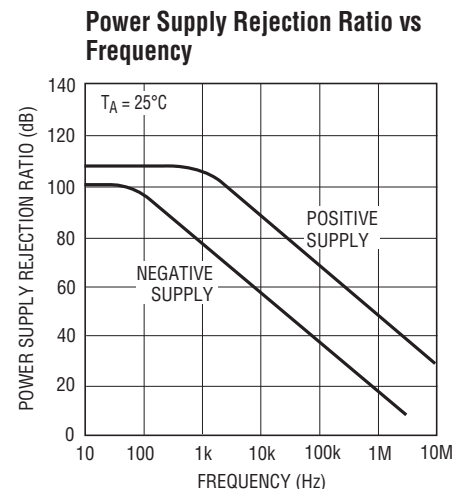
LT1055/56 G21



LT1055/56 G22

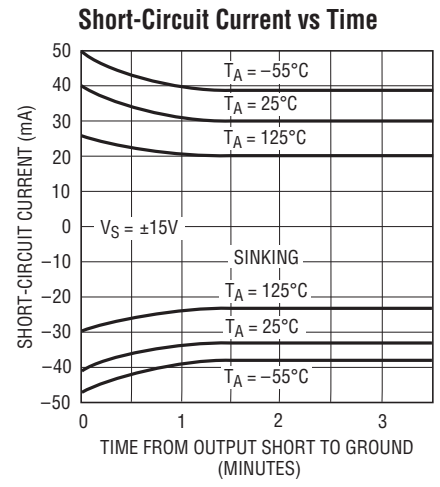
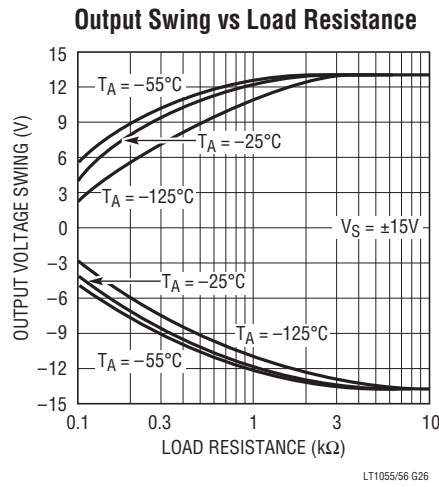
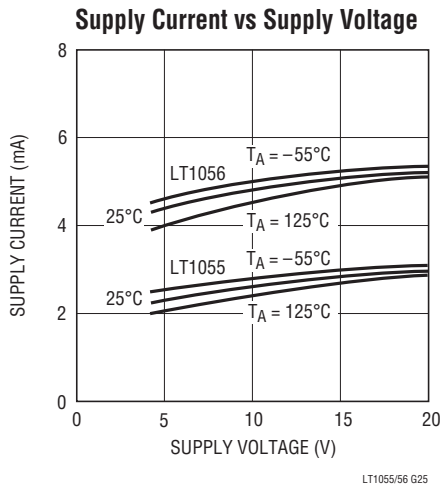


LT1055/56 G23



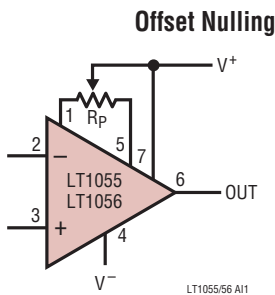
LT1055/56 G24

## TYPICAL PERFORMANCE CHARACTERISTICS



## APPLICATIONS INFORMATION

The LT1055/LT1056 may be inserted directly into LF155A/LT355A, LF156A/LT356A, OP-15 and OP-16 sockets. Offset nulling will be compatible with these devices with the wiper of the potentiometer tied to the positive supply.



No appreciable change in offset voltage drift with temperature will occur when the device is nulled with a potentiometer,  $R_p$ , ranging from 10k to 200k.

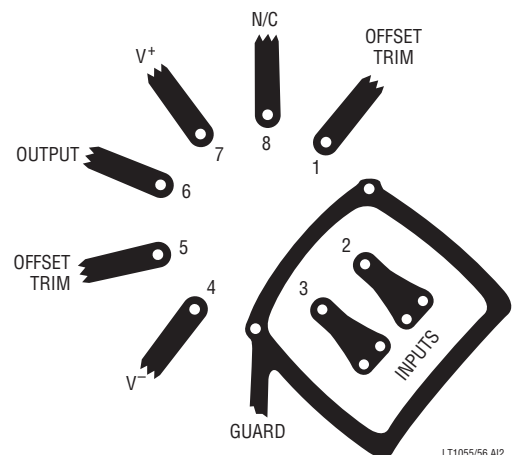
The LT1055/LT1056 can also be used in LF351, LF411, AD547, AD611, OPA-111, and TL081 sockets, provided that the nulling circuitry is removed. Because of the LT1055/LT1056's low offset voltage, nulling will not be necessary in most applications.

### Achieving Picoampere/Microvolt Performance

In order to realize the picoampere-microvolt level accuracy of the LT1055/LT1056 proper care must be exercised. For

example, leakage currents in circuitry external to the op amp can significantly degrade performance. High quality insulation should be used (e.g. Teflon, Kel-F); cleaning of all insulating surfaces to remove fluxes and other residues will probably be required. Surface coating may be necessary to provide a moisture barrier in high humidity environments.

Board leakage can be minimized by encircling the input circuitry with a guard ring operated at a potential close to that of the inputs: in inverting configurations the guard ring should be tied to ground, in noninverting connections to the inverting input at pin 2. Guarding both sides of the



## APPLICATIONS INFORMATION

printed circuit board is required. Bulk leakage reduction depends on the guard ring width.

The LT1055/LT1056 has the lowest offset voltage of any JFET input op amp available today. However, the offset voltage and its drift with time and temperature are still not as good as on the best bipolar amplifiers because the transconductance of FETs is considerably lower than that of bipolar transistors. Conversely, this lower transconductance is the main cause of the significantly faster speed performance of FET input op amps.

Offset voltage also changes somewhat with temperature cycling. The AM grades show a typical  $20\mu\text{V}$  hysteresis ( $30\mu\text{V}$  on the M grades) when cycled over the  $-55^\circ\text{C}$  to  $125^\circ\text{C}$  temperature range. Temperature cycling from  $0^\circ\text{C}$  to  $70^\circ\text{C}$  has a negligible (less than  $10\mu\text{V}$ ) hysteresis effect.

The offset voltage and drift performance are also affected by packaging. In the plastic N8 package the molding compound is in direct contact with the chip, exerting pressure on the surface. While NPN input transistors are largely unaffected by this pressure, JFET device matching and drift are degraded. Consequently, for best DC performance, as shown in the typical performance distribution plots, the TO-5 H package is recommended.

### Noise Performance

The current noise of the LT1055/LT1056 is practically immeasurable at  $1.8\text{fA}/\sqrt{\text{Hz}}$ . At  $25^\circ\text{C}$  it is negligible up to  $1\text{G}$  of source resistance,  $R_S$  (compound to the noise of  $R_S$ ). Even at  $125^\circ\text{C}$  it is negligible to  $100\text{M}$  of  $R_S$ .

The voltage noise spectrum is characterized by a low  $1/f$  corner in the  $20\text{Hz}$  to  $30\text{Hz}$  range, significantly lower than on other competitive JFET input op amps. Of particular interest is the fact that with any JFET IC amplifier, the frequency location of the  $1/f$  corner is proportional to the square root of the internal gate leakage currents and, therefore, noise doubles every  $20^\circ\text{C}$ . Furthermore, as illustrated in the noise versus chip temperature curves, the  $0.1\text{Hz}$  to  $10\text{Hz}$  peak-to-peak noise is a strong function of temperature, while wideband noise ( $f_0 = 1\text{kHz}$ ) is practically unaffected by temperature.

Consequently, for optimum low frequency noise, chip temperature should be minimized. For example, operat-

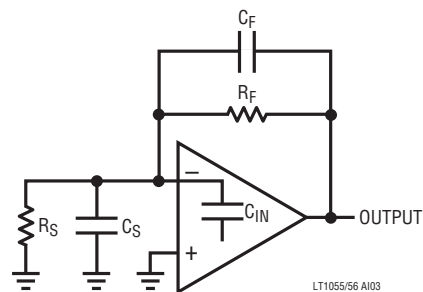
ing an LT1056 at  $\pm 5\text{V}$  supplies or with a  $20^\circ\text{C}/\text{W}$  case-to-ambient heat sink reduces  $0.1\text{Hz}$  to  $10\text{Hz}$  noise from typically  $2.5\mu\text{V}_{\text{P-P}}$  ( $\pm 15\text{V}$ , free-air) to  $1.5\mu\text{V}_{\text{P-P}}$ . Similarly, the noise of an LT1055 will be  $1.8\mu\text{V}_{\text{P-P}}$  typically because of its lower power dissipation and chip temperature.

### High Speed Operation

Settling time is measured in the test circuit shown. This test configuration has two features which eliminate problems common to settling time measurements: (1) probe capacitance is isolated from the “false summing” node, and (2) it does not require a “flat top” input pulse since the input pulse is merely used to steer current through the diode bridges. For more details, please see Application Note 10.

As with most high speed amplifiers, care should be taken with supply decoupling, lead dress and component placement.

When the feedback around the op amp is resistive ( $R_F$ ), a pole will be created with  $R_F$ , the source resistance and capacitance ( $R_S$ ,  $C_S$ ), and the amplifier input capacitance ( $C_{\text{IN}} \approx 4\text{pF}$ ). In low closed-loop gain configurations and with  $R_S$  and  $R_F$  in the kilohm range, this pole can create excess phase shift and even oscillation. A small capacitor ( $C_F$ ) in parallel with  $R_F$  eliminates this problem. With  $R_S (C_S + C_{\text{IN}}) = R_F C_F$ , the effect of the feedback pole is completely removed.

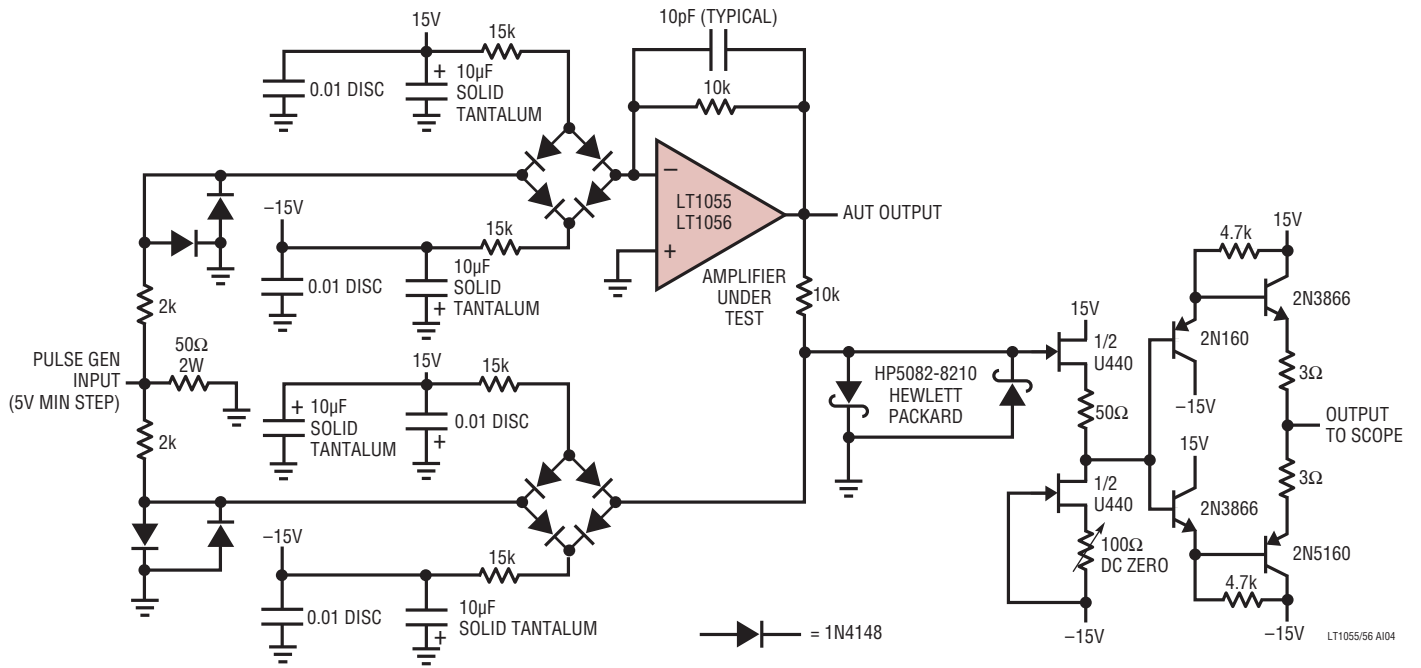


### Phase Reversal Protection

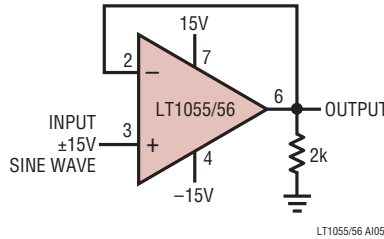
Most industry standard JFET input op amps (e.g., LF155/LF156, LF351, LF411, OP15/16) exhibit phase reversal at the output when the negative common mode limit at the input is exceeded (i.e., from  $-12\text{V}$  to  $-15\text{V}$  with  $\pm 15\text{V}$  supplies). This can cause lock-up in servo systems. As shown below, the LT1055/LT1056 does not have this problem due to unique phase reversal protection circuitry (Q1 on simplified schematic).

# APPLICATIONS INFORMATION

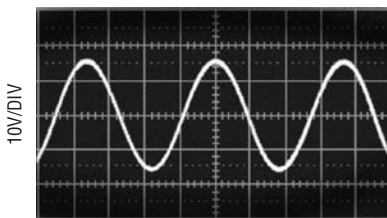
## Settling Time Test Circuit



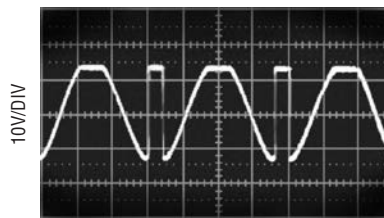
## Voltage Follower with Input Exceeding the Negative Common Mode Range



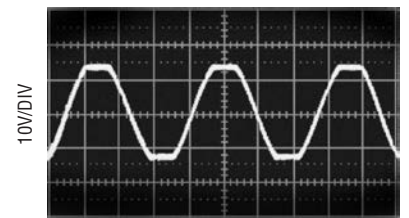
Input



Output (LF155/LF56, LF441, OP-15/OP-16)

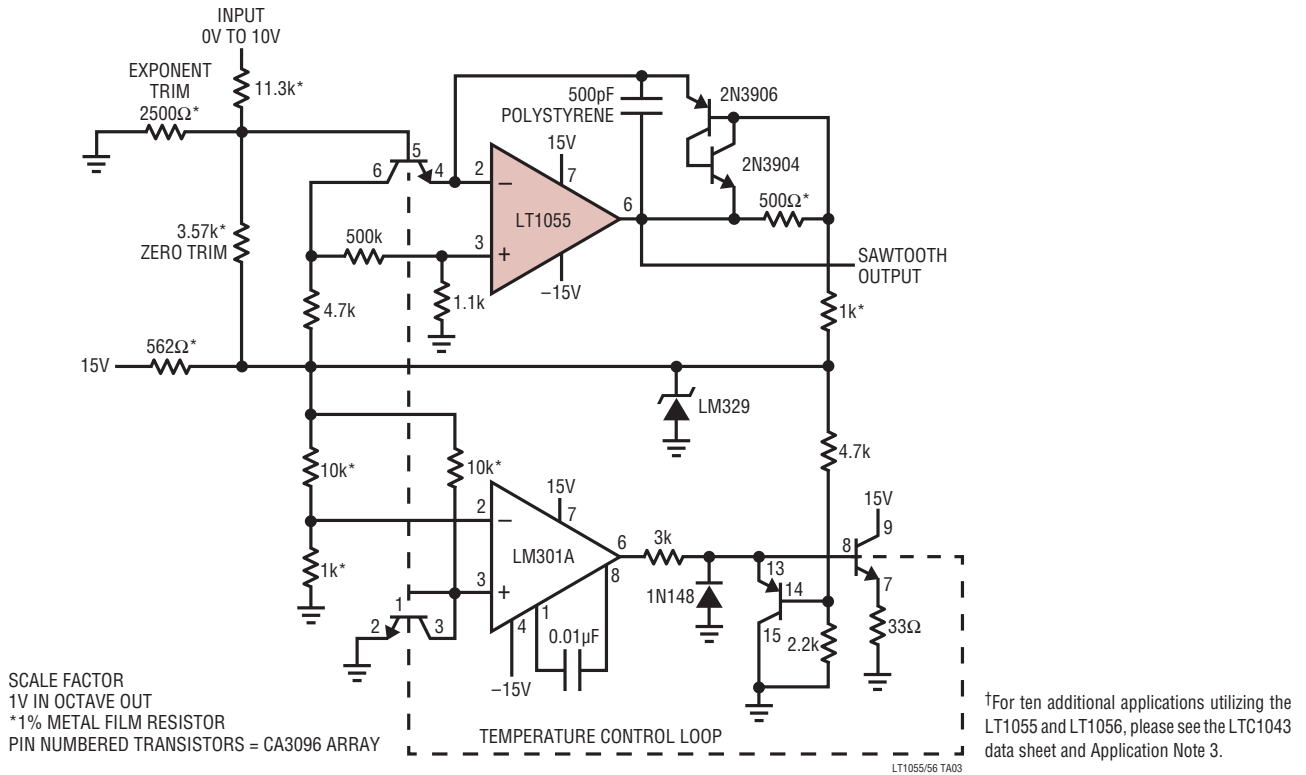


Output LT1055/LT1056

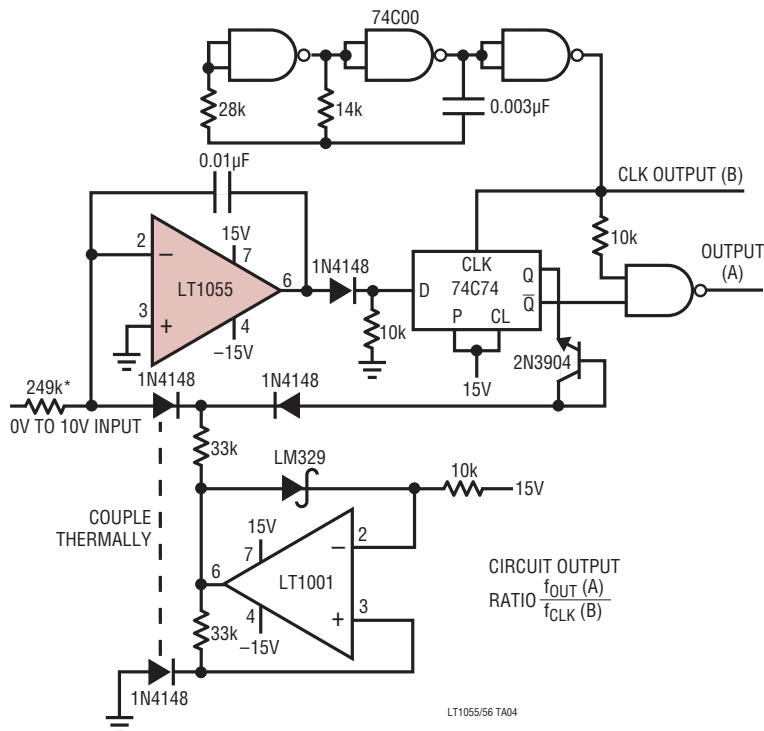


## TYPICAL APPLICATIONS †

### Exponential Voltage-to-Frequency Converter for Music Synthesizers

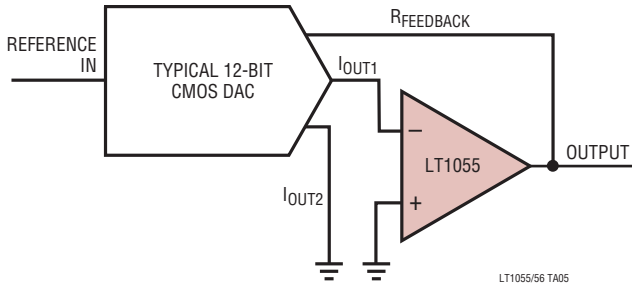


### 12-Bit Charge Balance A/D Converter



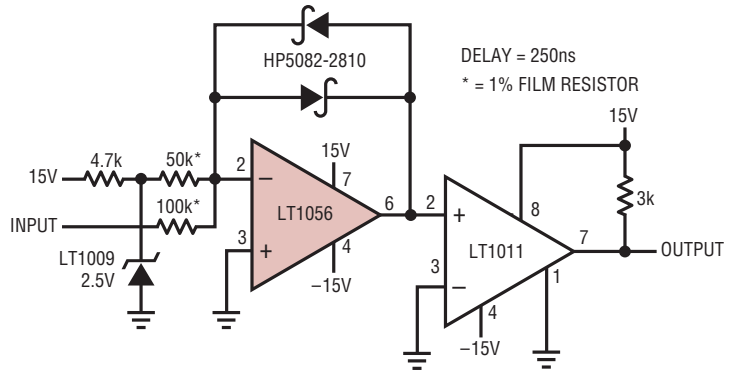
# TYPICAL APPLICATIONS

Fast “No Trims” 12-Bit Multiplying CMOS DAC Amplifier



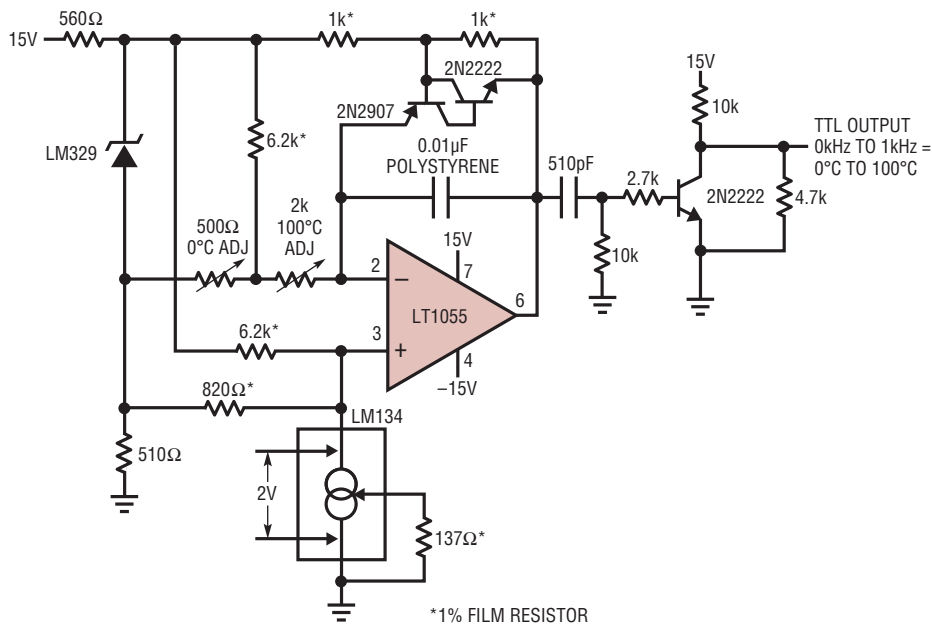
LT1055/56 TA05

Fast, 16-Bit Current Comparator



LT1055/56 TA06

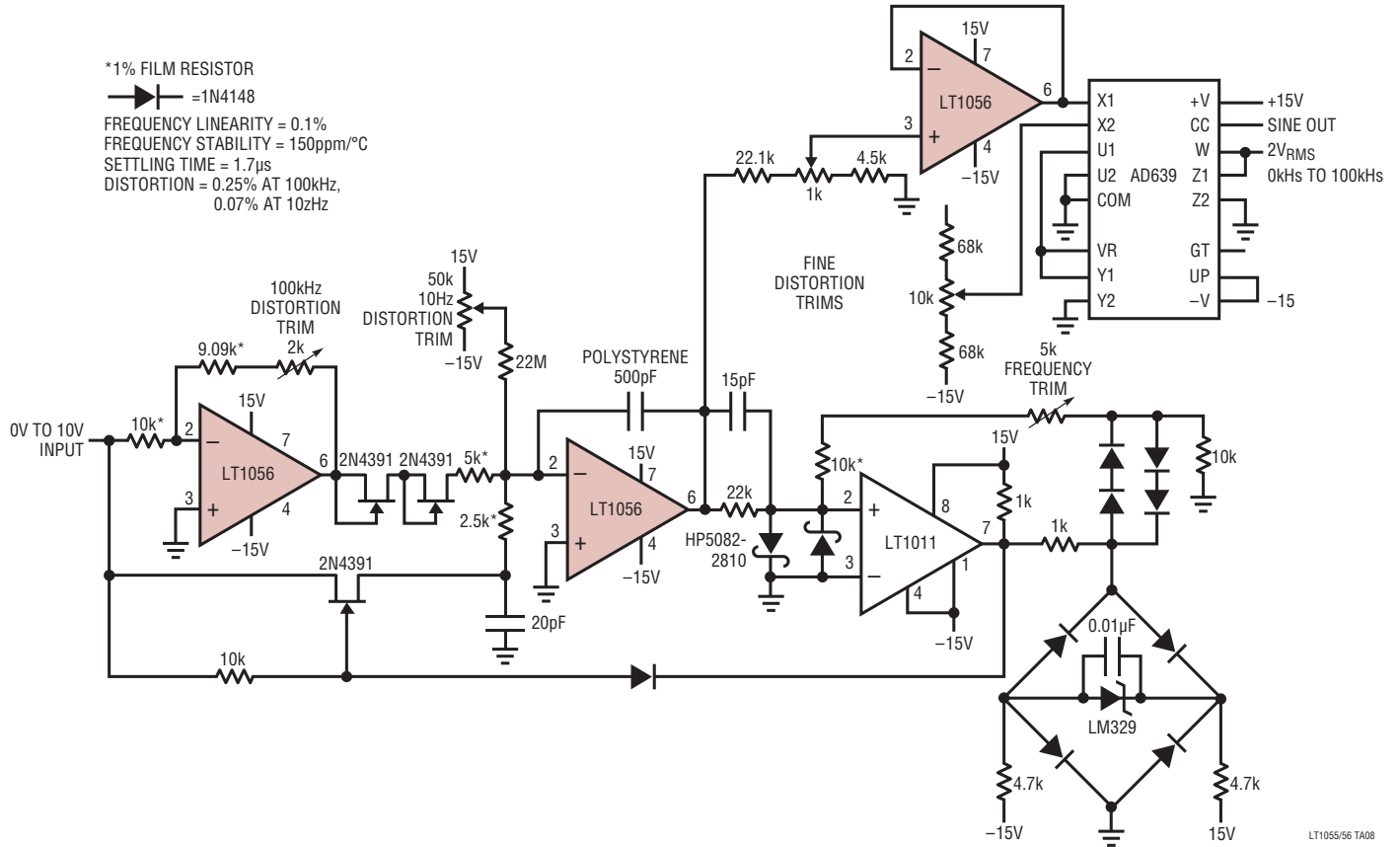
Temperature-to-Frequency Converter



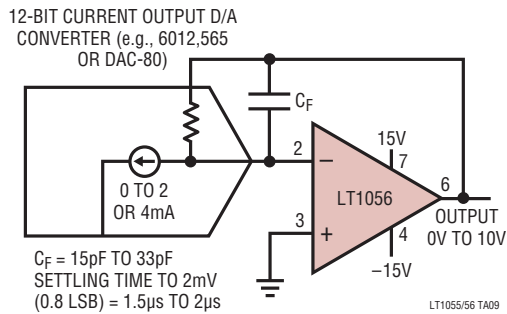
LT1055/56 TA07

## TYPICAL APPLICATIONS

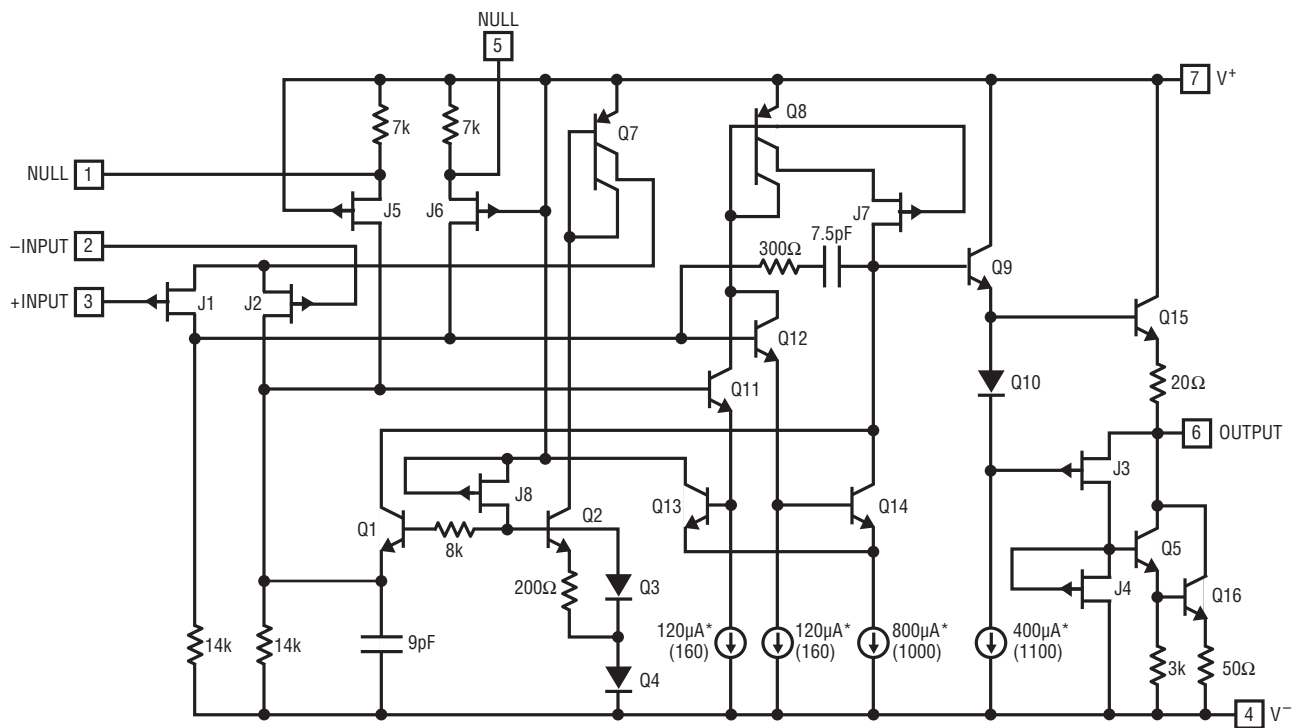
### 100kHz Voltage Controlled Oscillator



### 12-Bit Voltage Output D/A Converter



**SIMPLIFIED SCHEMATIC**



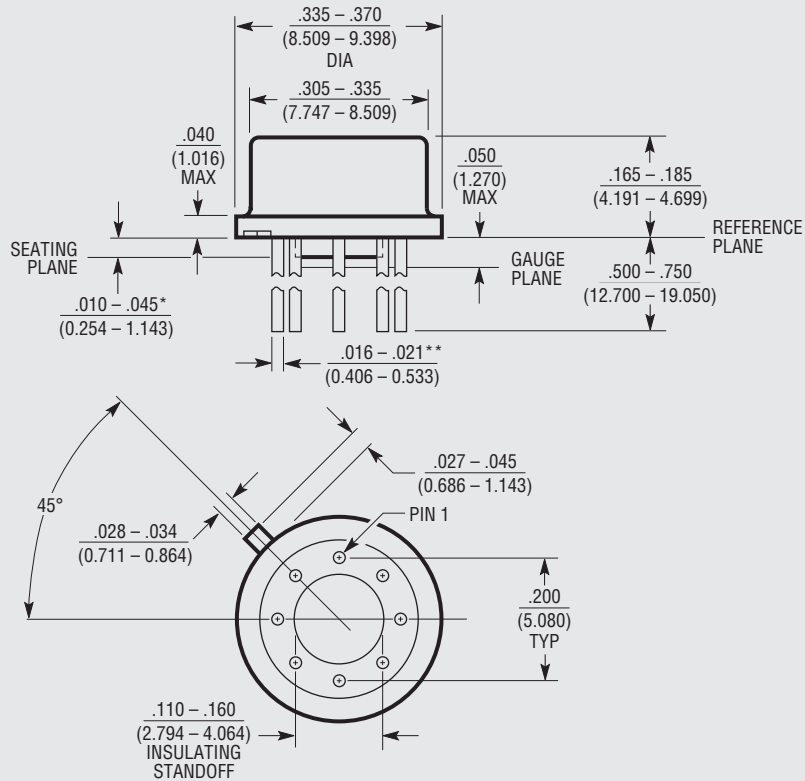
\*CURRENTS AS SHOWN FOR LT1055. (X) = CURRENTS FOR LT1056.

LT1055/66 SCHM

**PACKAGE DESCRIPTION**

Please refer to <http://www.linear.com/designtools/packaging/> for the most recent package drawings.

**H Package**  
**8-Lead TO-5 Metal Can (.200 Inch PCD)**  
 (Reference LTC DWG # 05-08-1320)



\*LEAD DIAMETER IS UNCONTROLLED BETWEEN THE REFERENCE PLANE AND THE SEATING PLANE

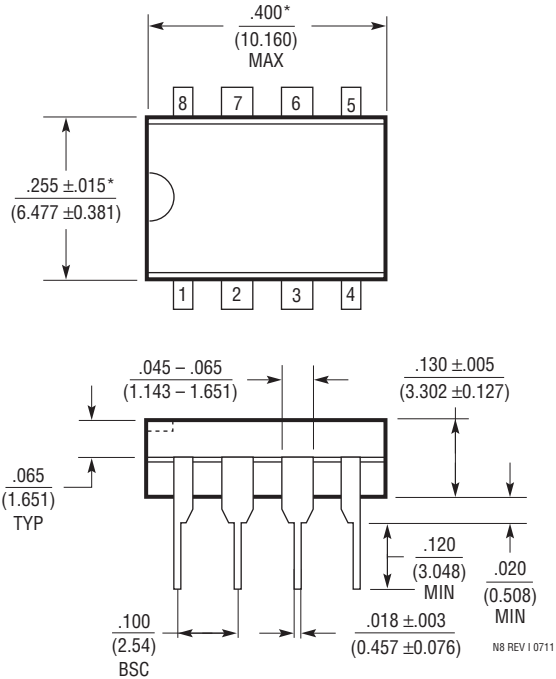
\*\*FOR SOLDER DIP LEAD FINISH, LEAD DIAMETER IS  $.016 - .024$  (0.406 - 0.610) H8(TO-5) 0.200 PCD 0204

**OBsolete PACKAGE**

# PACKAGE DESCRIPTION

Please refer to <http://www.linear.com/designtools/packaging/> for the most recent package drawings.

**N Package**  
**8-Lead PDIP (Narrow .300 Inch)**  
 (Reference LTC DWG # 05-08-1510 Rev I)

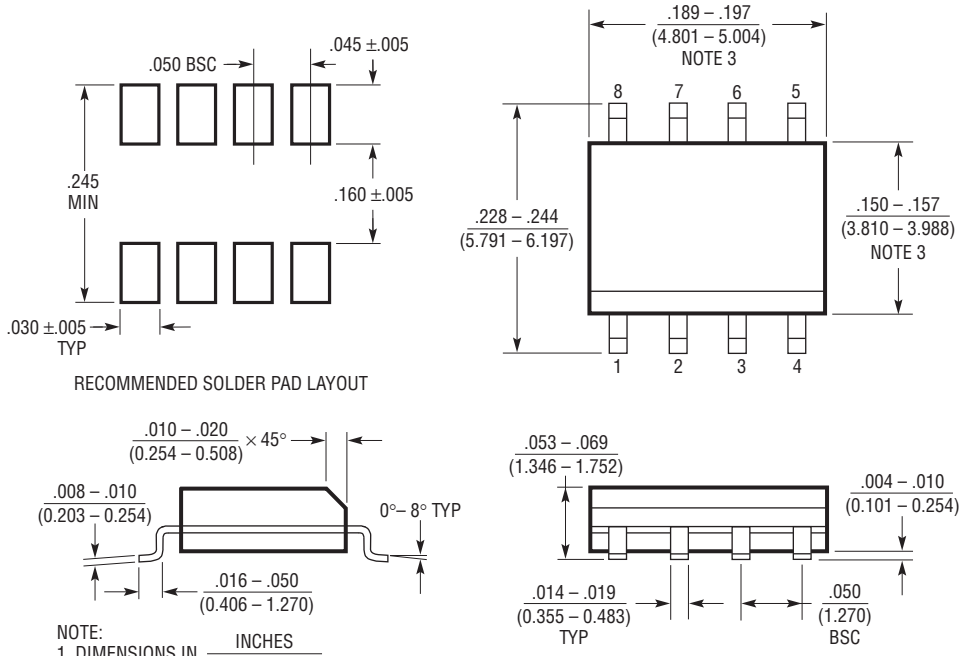


NOTE:  
 1. DIMENSIONS ARE  $\frac{\text{INCHES}}{\text{MILLIMETERS}}$   
 \*THESE DIMENSIONS DO NOT INCLUDE MOLD FLASH OR PROTRUSIONS.  
 MOLD FLASH OR PROTRUSIONS SHALL NOT EXCEED .010 INCH (0.254mm)

# PACKAGE DESCRIPTION

Please refer to <http://www.linear.com/designtools/packaging/> for the most recent package drawings.

## S8 Package 8-Lead Plastic Small Outline (Narrow .150 Inch) (Reference LTC DWG # 05-08-1610 Rev G)



- NOTE:
1. DIMENSIONS IN  $\frac{\text{INCHES}}{\text{MILLIMETERS}}$
  2. DRAWING NOT TO SCALE
  3. THESE DIMENSIONS DO NOT INCLUDE MOLD FLASH OR PROTRUSIONS. MOLD FLASH OR PROTRUSIONS SHALL NOT EXCEED  $.006"$  (0.15mm)
  4. PIN 1 CAN BE BEVEL EDGE OR A DIMPLE

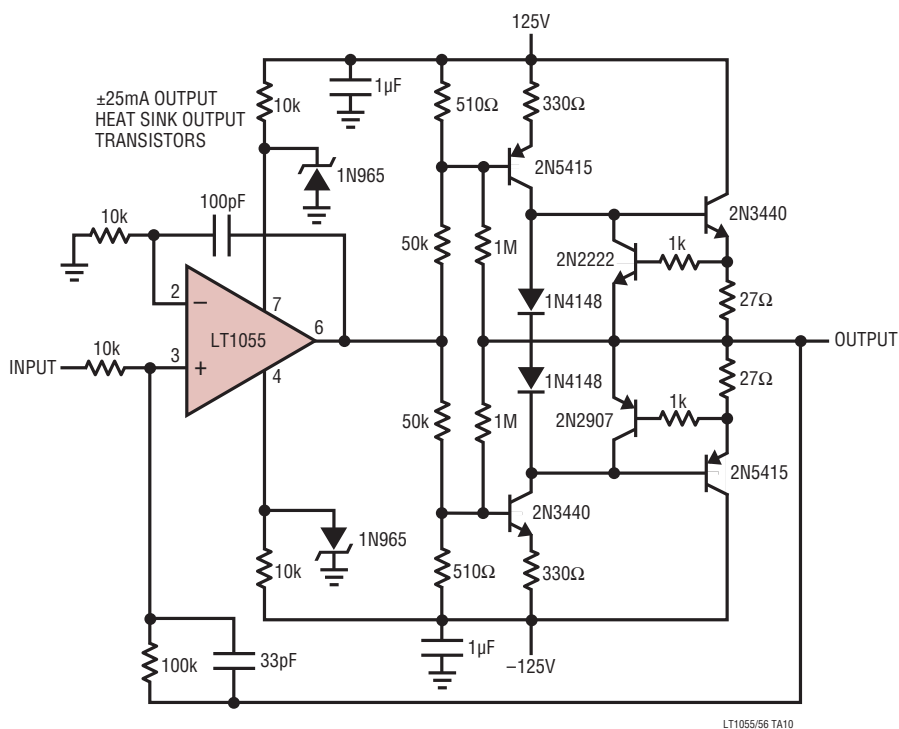
S08 REV G 0212

**REVISION HISTORY** (Revision history begins at Rev D)

REV	DATE	DESCRIPTION	PAGE NUMBER
D	08/15	Corrected application circuit.	20

## TYPICAL APPLICATION

±120V Output Precision Op Amp



## RELATED PARTS

PART NUMBER	DESCRIPTION	COMMENTS
<a href="#">LT1122</a>	Fast Settling JFET Op Amp	340ns Settling Time, GBW = 14MHz, SR = 60V/μs
<a href="#">LT1792</a>	Low Noise JFET Op Amp	$e_n = 6nV/\sqrt{Hz}$ Max at $f = 1kHz$

## Looking for pricing, stock, or lifecycle information?

Click below to explore more details on WIN SOURCE:

 [View LT1056CH on WIN SOURCE](#)

 [Analog Devices Inc. Information](#)

## Optimize Your Supply Chain with WIN SOURCE Solutions

-  Global Sourcing Solution
-  Obsolete Management
-  Cost Control Management
-  Shortage Management
-  Alternative Solution
-  Excess Inventory Management