



**THE DATASHEET OF  
LT3433IFE#PBF**



# High Voltage Step-Up/Step-Down DC/DC Converter

## FEATURES

- Automatic Step-Up and Step-Down Conversion
- Uses a Single Inductor
- Wide 4V to 60V Input Voltage Range
- $V_{OUT}$  from 3.3V to 20V
- Dual Internal 500mA Switches
- 100 $\mu$ A No-Load Quiescent Current
- Low Current Shutdown
- $\pm 1\%$  Output Voltage Accuracy
- 200kHz Operating Frequency
- Boosted Supply Pin to Saturate High Side Switch
- Frequency Foldback Protection
- Current Limit Foldback Protection
- Current Limit Unaffected by Duty Cycle
- 16-lead Thermally Enhanced TSSOP Package

## APPLICATIONS

- 12V Automotive Systems
- Wall Adapter Powered Systems
- Battery Power Voltage Buffering

LT, LTC and LT are registered trademarks of Linear Technology Corporation.  
 Burst Mode is a registered trademark of Linear Technology Corporation.  
 U.S. patent number: 5731694

## DESCRIPTION

The LT<sup>®</sup>3433 is a 200kHz fixed-frequency current mode switching regulator that provides both step-up and step-down regulation using a single inductor. The IC operates over a 4V to 60V input voltage range making it suitable for use in various wide input voltage range applications such as automotive electronics that must withstand both load dump and cold crank conditions.

Internal control circuitry monitors system conditions and converts from single switch buck operation to dual switch bridged operation when required, seamlessly changing between step-down and step-up voltage conversion.

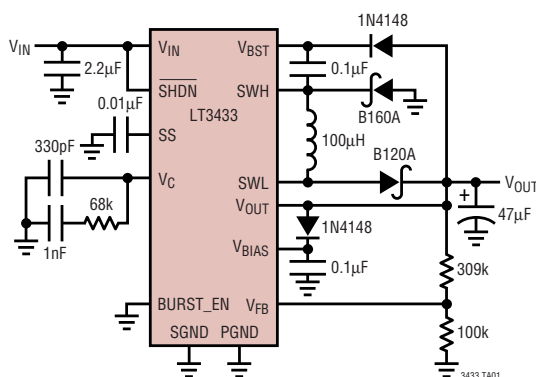
Optional Burst Mode<sup>®</sup> operation reduces no-load quiescent current to 100 $\mu$ A and maintains high efficiencies with light loads.

Current limit foldback and frequency foldback help prevent inductor current runaway during start-up. Programmable soft-start helps prevent output overshoot at start-up.

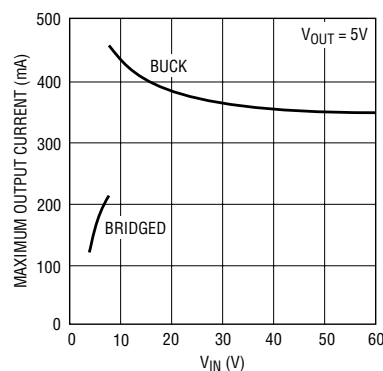
The LT3433 is available in a 16-lead thermally enhanced TSSOP package.

## TYPICAL APPLICATION

4V to 60V to 5V DC/DC Converter  
with Burst Mode Operation

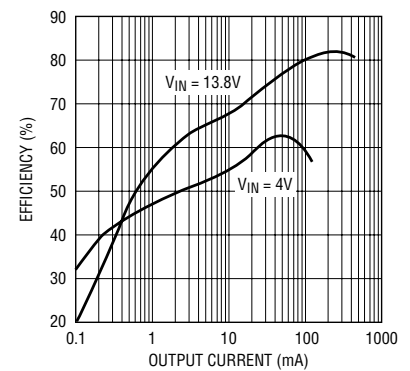


Maximum Output  
Current vs  $V_{IN}$



3433 TA01c

Efficiency



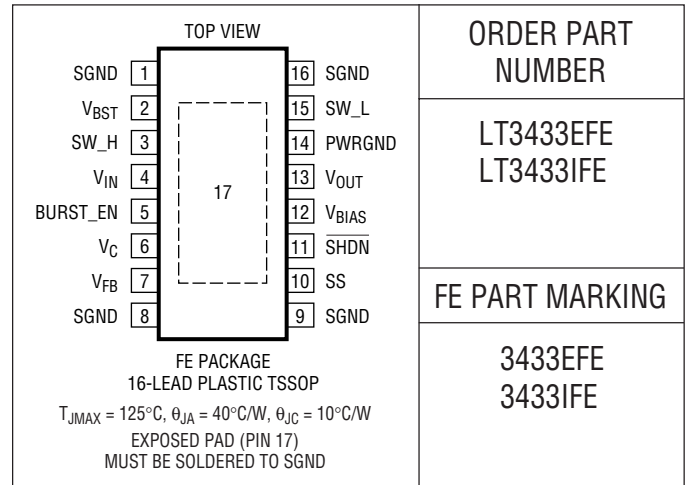
3433 TA01b

## ABSOLUTE MAXIMUM RATINGS

(Note 1)

Input Supply ( $V_{IN}$ )	.....	-0.3V to 60V
Boosted Supply ( $V_{BST}$ )	.....	-0.3V to $V_{SW\_H} + 30V$ ( $V_{BST(MAX)} = 80V$ )
Internal Supply ( $V_{BIAS}$ )	.....	-0.3V to 30V
SW_H Switch Voltage	.....	-2V to 60V
SW_L Switch Voltage	.....	-0.3V to 30V
Feedback Voltage ( $V_{FB}$ )	.....	-0.3V to 5V
Burst Enable Pin ( $V_{BURST\_EN}$ )	.....	-0.3V to 30V
Shutdown Pin ( $V_{SHDN}$ )	.....	-0.3V to 60V
Operating Junction Temperature Range (Note 5)		
LT3433E (Note 6)	.....	-40°C to 125°C
LT3433I	.....	-40°C to 125°C
Storage Temperature Range	.....	-65°C to 150°C
Lead Temperature (Soldering, 10 sec)	.....	300°C

## PACKAGE/ORDER INFORMATION



ORDER PART NUMBER
LT3433EFE LT3433IFE
FE PART MARKING
3433EFE 3433IFE

Consult LTC Marketing for parts specified with wider operating temperature ranges.

## ELECTRICAL CHARACTERISTICS

The ● denotes specifications that apply over the full operating temperature range, otherwise specifications are at  $T_A = 25^\circ\text{C}$ .  $V_{IN} = 13.8\text{V}$ ,  $V_{FB} = 1.25\text{V}$ ,  $V_{OUT} = 5\text{V}$ ,  $V_{BURST\_EN} = 0\text{V}$ ,  $V_{BST} - V_{IN} = 5\text{V}$ , unless otherwise noted.

SYMBOL	PARAMETER	CONDITIONS	MIN	TYP	MAX	UNITS
$V_{IN}$	Operating Voltage Range		● 4		60	V
$V_{IN(UVLO)}$	Undervoltage Lockout	Enable Threshold	●	3.4	3.95	V
	Undervoltage Lockout Hysteresis			160		mV
$V_{OUT}$	Operating Voltage Range		● 3.3		20	V
$V_{BST}$	Operating Voltage Range	$V_{BST} < V_{SW\_H} + 20\text{V}$	●		75	V
		$V_{BST} - V_{SW\_H}$	●	3.3	20	V
$I_{VIN}$	Normal Operation	(Notes 2, 3)	●	580	940	$\mu\text{A}$
	Burst Mode Operation	$V_{VC} < 0.6\text{V}$	●	100	190	$\mu\text{A}$
	Shutdown	$V_{SHDN} < 0.4\text{V}$	●	10	25	$\mu\text{A}$
$V_{BIAS}$	Internal Supply Output Voltage		●	2.6	2.9	V
	Operating Voltage Range		●		20	V
$I_{VBIAS}$	Normal Operation		●	660	990	$\mu\text{A}$
	Burst Mode Operation	$V_{VC} < 0.6\text{V}$		0.1		$\mu\text{A}$
	Shutdown	$V_{SHDN} < 0.4\text{V}$		0.1		$\mu\text{A}$
	Short-Circuit Current Limit			4.5		mA
$R_{SWH(ON)}$	Boost Supply Switch On-Resistance	$I_{SW} = 500\text{mA}$	●	0.8	1.2	$\Omega$
$R_{SWL(ON)}$	Output Supply Switch On-Resistance	$I_{SW} = 500\text{mA}$	●	0.6	1	$\Omega$
$V_{SHDN}$	Shutdown Pin Thresholds	Disable	●	0.4		V
		Enable	●		1	V
$I_{VBST}/I_{SW}$	Boost Supply Switch Drive Current	High Side Switch On, $I_{SW} = 500\text{mA}$	●	30	50	mA/A
$I_{VOUT}/I_{SW}$	Output Supply Switch Drive Current	Low Side Switch On, $I_{SW} = 500\text{mA}$	●	30	50	mA/A
$I_{LIM}$	Switch Current Limit		●	0.5	0.7	A
	Foldback Current Limit	$V_{FB} = 0\text{V}$		0.35		A
$I_{SS}$	Soft-Start Output Current		●	3	5	$\mu\text{A}$

## ELECTRICAL CHARACTERISTICS

The ● denotes specifications that apply over the full operating temperature range, otherwise specifications are at  $T_A = 25^\circ\text{C}$ .  $V_{IN} = 13.8\text{V}$ ,  $V_{FB} = 1.25\text{V}$ ,  $V_{OUT} = 5\text{V}$ ,  $V_{BURST\_EN} = 0\text{V}$ ,  $V_{BST} - V_{IN} = 5\text{V}$ , unless otherwise noted.

SYMBOL	PARAMETER	CONDITIONS	MIN	TYP	MAX	UNITS	
$V_{FB}$	Feedback Reference Voltage		● 1.224	1.231	1.238	V	
			1.215		1.245	V	
$\Delta V_{FB}$	Feedback Reference Line Regulation	$5.5\text{V} \leq V_{IN} \leq 60\text{V}$	●	0.002	0.01	%/V	
$I_{FB}$	$V_{FB}$ Pin Input Bias Current		●	35	100	nA	
$g_m$	Error Amplifier Transconductance		●	200	270	330	umhos
$A_V$	Error Amplifier Voltage Gain			66		dB	
$I_{SW}/V_{VC}$	Control Voltage to Switch Transconductance			0.6		A/V	
$f_0$	Operating Frequency	$V_{FB} > 1\text{V}$	●	185	200	215	kHz
	Foldback Frequency	$V_{FB} = 0\text{V}$			50	230	kHz
$V_{BURST\_EN}$	Burst Enable Threshold			0.8		V	
$I_{BURST\_EN}$	Input Bias Current	$V_{BURST\_EN} \geq 2\text{V}$		35		$\mu\text{A}$	
$t_{ON(MIN)}$	Minimum Switch On Time	$R_L = 35\Omega$ (Note 4)	●	250	450	ns	
$t_{OFF(MIN)}$	Minimum Switch Off Time	$R_L = 35\Omega$ (Note 4)	●	500	800	ns	

**Note 1:** Absolute Maximum Ratings are those values beyond which the life of a device may be impaired.

**Note 2:** Supply current specification does not include switch drive currents. Actual supply currents will be higher.

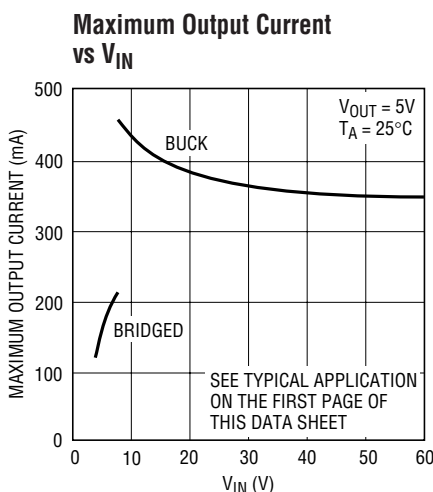
**Note 3:** "Normal Operation" supply current specification does not include  $I_{BIAS}$  currents. Powering the  $V_{BIAS}$  pin externally reduces  $I_{CC}$  supply current.

**Note 4:** Minimum times are tested using the high side switch with a  $35\Omega$  load to ground.

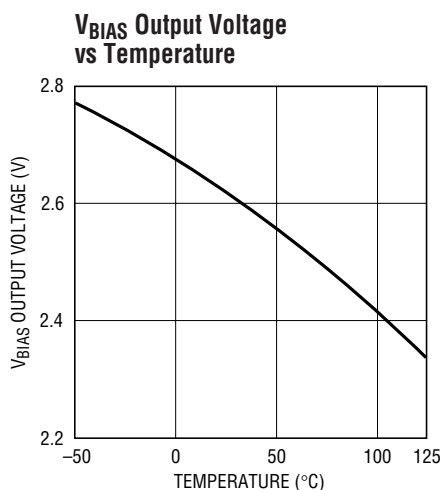
**Note 5:** This IC includes overtemperature protection that is intended to protect the device during momentary overload conditions. Junction temperature will exceed  $125^\circ\text{C}$  when overtemperature protection is active. Continuous operation above the specified maximum operating junction temperature may impair device reliability.

**Note 6:** The LT3433E is guaranteed to meet performance specifications from  $0^\circ\text{C}$  to  $125^\circ\text{C}$  junction temperature. Specifications over the  $-40^\circ\text{C}$  to  $125^\circ\text{C}$  operating junction temperature range are assured by design, characterization and correlation with statistical process controls. The LT3433I is guaranteed over the full  $-40^\circ\text{C}$  to  $125^\circ\text{C}$  operating junction temperature range.

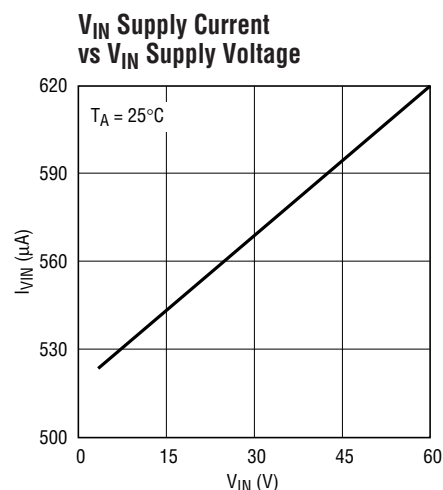
## TYPICAL PERFORMANCE CHARACTERISTICS



3433 G11



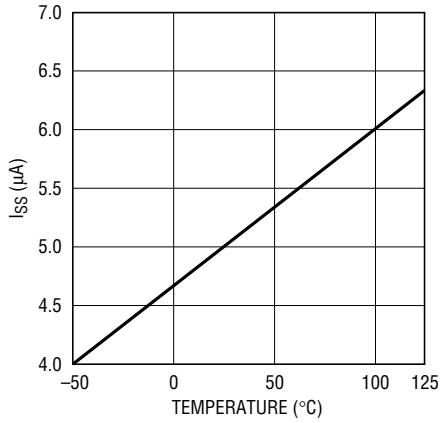
3433 G01



3433 G02

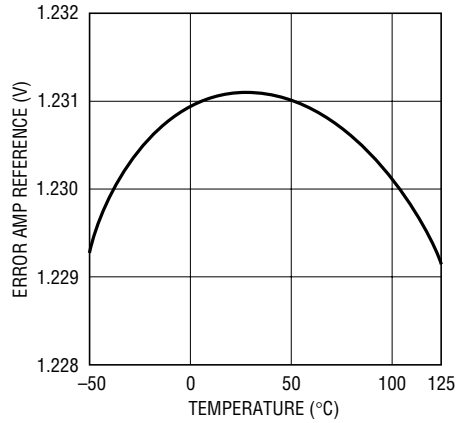
# TYPICAL PERFORMANCE CHARACTERISTICS

Soft-Start Current vs Temperature



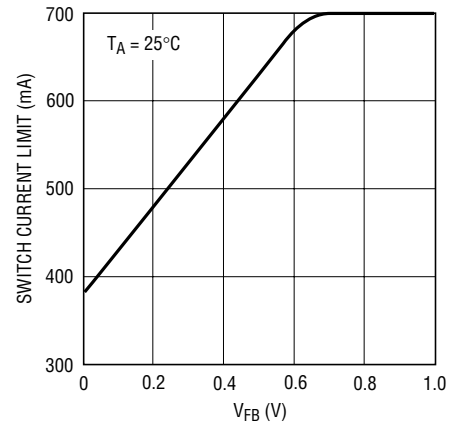
3433 G03

Error Amp Reference vs Temperature



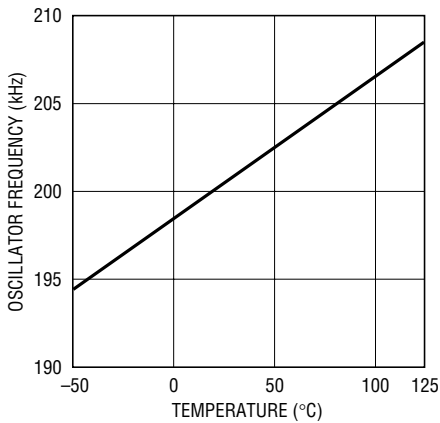
3433 G04

Switch Current Limit vs  $V_{FB}$



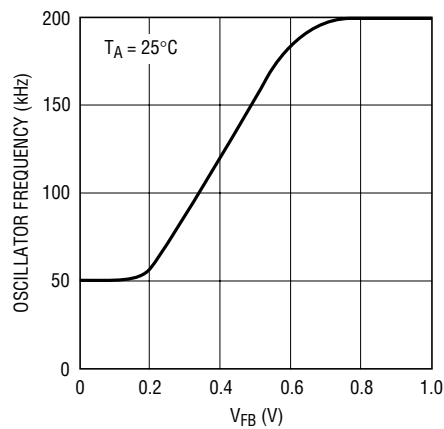
3433 G05

Oscillator Frequency vs Temperature



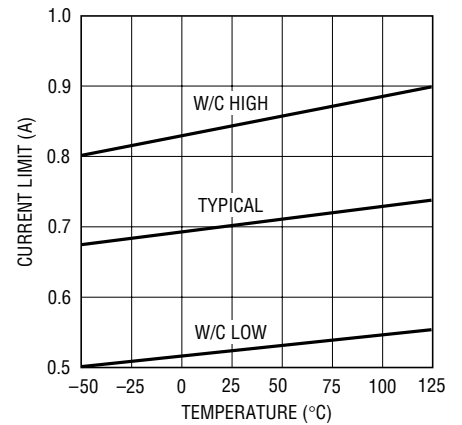
3433 G06

Oscillator Frequency vs  $V_{FB}$



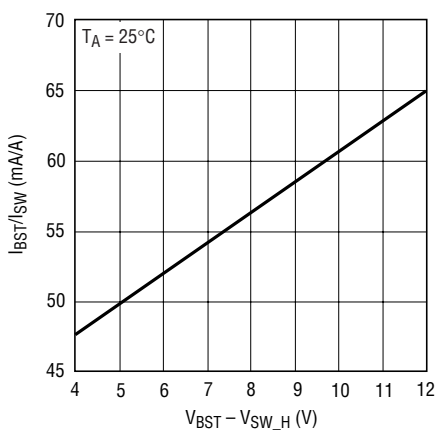
3433 G07

Current Limit vs Temperature



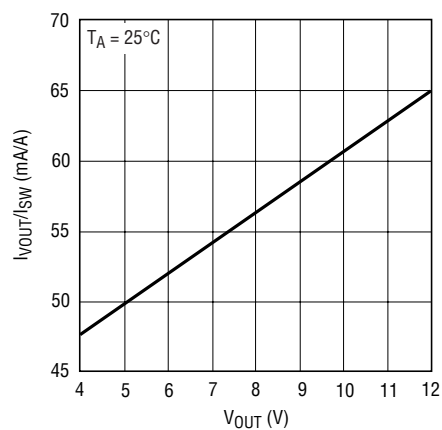
3433 G08

Maximum Boost Supply Switch Drive Current vs Boost Supply Voltage



3433 G09

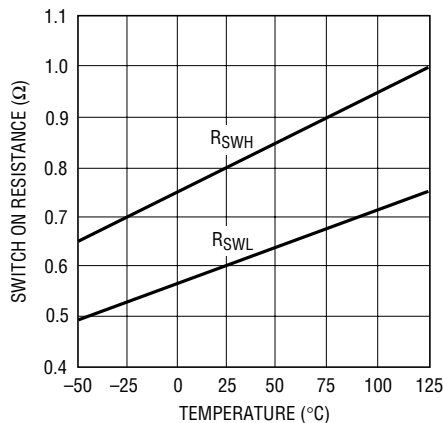
Maximum Output Supply Switch Drive Current vs Output Supply Voltage



3433 G10

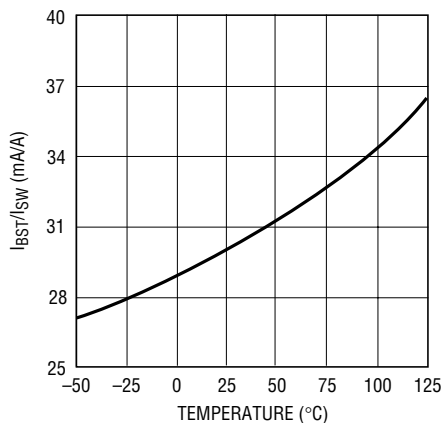
## TYPICAL PERFORMANCE CHARACTERISTICS

Switch Resistance vs Temperature ( $I_{SW} = 500\text{mA}$ )



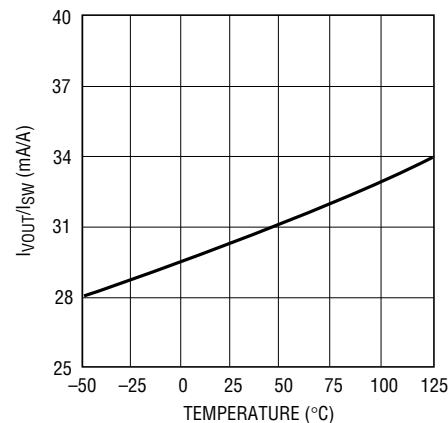
3433 G12

$V_{BST}$  Supply Switch Drive Current vs Temperature ( $I_{SW} = 500\text{mA}$ )



3433 G13

$V_{OUT}$  Supply Switch Drive Current vs Temperature ( $I_{SW} = 500\text{mA}$ )



3433 G14

## PIN FUNCTIONS

**SGND (Pins 1, 8, 9, 16):** Low Noise Ground Reference.

**$V_{BST}$  (Pin 2):** Boosted Switch Supply. This “boosted” supply rail is referenced to the SW\_H pin. Supply voltage is maintained by a bootstrap capacitor tied from the  $V_{BST}$  pin to the SW\_H pin. A  $1\mu\text{F}$  capacitor is generally adequate for most applications.

The charge on the bootstrap capacitor is refreshed through a diode, typically connected from the converter output ( $V_{OUT}$ ), during the switch-off period. Minimum off-time operation assures that the boost capacitor is refreshed each switch cycle. The LT3433 supports operational  $V_{BST}$  supply voltages up to 75V (absolute maximum) as referenced to ground.

**SW\_H (Pin 3):** Boosted Switch Output. This is the current return for the boosted switch and corresponds to the emitter of the switch transistor. The boosted switch shorts the SW\_H pin to the  $V_{IN}$  supply when enabled. The drive circuitry for this switch is boosted above the  $V_{IN}$  supply through the  $V_{BST}$  pin, allowing saturation of the switch for maximum efficiency. The “ON” resistance of the boosted switch is  $0.8\Omega$ .

**$V_{IN}$  (Pin 4):** Input Power Supply. This pin supplies power to the boosted switch and corresponds to the collector of

the switch transistor. This pin also supplies power to most of the IC’s internal circuitry if the  $V_{BIAS}$  pin is not driven externally. This supply will be subject to high switching transient currents so this pin requires a high quality bypass capacitor that meets whatever application-specific input ripple current requirements exist.

**BURST\_EN (Pin 5):** Burst Mode Enable/Disable. When this pin is below 0.3V, Burst Mode operation is enabled. Pin input bias current  $< 1\mu\text{A}$  when Burst Mode operation is enabled. If Burst Mode operation is not desired, pulling this pin above 2V will disable the burst function. When Burst Mode operation is disabled, typical pin input current =  $35\mu\text{A}$ . BURST\_EN should not be pulled above 20V. This pin is typically shorted to SGND for Burst Mode function, or connected to either  $V_{BIAS}$  or  $V_{OUT}$  to disable Burst Mode operation.

**$V_C$  (Pin 6):** Error Amplifier Output. The voltage on the  $V_C$  pin corresponds to the maximum switch current per oscillator cycle. The error amplifier is typically configured as an integrator circuit by connecting an RC network from this pin to ground. This circuit typically creates the dominant pole for the converter regulation feedback loop. Specific integrator characteristics can be configured to optimize transient response. See Applications Information.

## PIN FUNCTIONS

**V<sub>FB</sub> (Pin 7):** Error Amplifier Inverting Input. The noninverting input of the error amplifier is connected to an internal 1.231V reference. The V<sub>FB</sub> pin is connected to a resistor divider from the converter output. Values for the resistor connected from V<sub>OUT</sub> to V<sub>FB</sub> (R<sub>FB1</sub>) and the resistor connected from V<sub>FB</sub> to ground (R<sub>FB2</sub>) can be calculated to program converter output voltage (V<sub>OUT</sub>) via the following relation:

$$V_{OUT} = 1.231 \cdot (R_{FB1} + R_{FB2})/R_{FB2}$$

The V<sub>FB</sub> pin input bias current is 35nA, so use of extremely high value feedback resistors could cause a converter output that is slightly higher than expected. Bias current error at the output can be estimated as:

$$\Delta V_{OUT(BIAS)} = 35nA \cdot R_{FB1}$$

The voltage on V<sub>FB</sub> also controls the LT3433 oscillator frequency through a “frequency-foldback” function. When the V<sub>FB</sub> pin voltage is below 0.8V, the oscillator runs slower than the 200kHz typical operating frequency. The oscillator frequency slows with reduced voltage on the pin, down to 50kHz when V<sub>FB</sub> = 0V.

The V<sub>FB</sub> pin voltage also controls switch current limit through a “current-limit foldback” function. At V<sub>FB</sub> = 0V, the maximum switch current is reduced to half of the normal value. The current limit value increases linearly until V<sub>FB</sub> reaches 0.6V when the normal maximum switch current level is restored. The frequency and current-limit foldback functions add robustness to short-circuit protection and help prevent inductor current runaway during start-up.

**SS (Pin 10):** Soft Start. Connect a capacitor (C<sub>SS</sub>) from this pin to ground. The output voltage of the LT3433 error amplifier corresponds to the peak current sense amplifier output detected before resetting the switch output(s). The soft-start circuit forces the error amplifier output to a zero peak current for start-up. A 5μA current is forced from the SS pin onto an external capacitor. As the SS pin voltage ramps up, so does the LT3433 internally sensed peak current limit. This forces the converter output current to ramp from zero until normal output regulation is achieved. This function reduces output overshoot on converter start-up.

The time from V<sub>SS</sub> = 0V to maximum available current can be calculated given a capacitor C<sub>SS</sub> as:

$$t_{SS} = (2.7 \cdot 10^5)C_{SS} \text{ or } 0.27s/\mu F$$

**SHDN (Pin 11):** Shutdown. If the SHDN pin is externally pulled below 0.5V, low current shutdown mode is initiated. During shutdown mode, all internal functions are disabled, and I<sub>CC</sub> is reduced to 10μA. This pin is intended to receive a digital input, however, there is a small amount of input hysteresis built into the SHDN circuit to help assure glitch-free mode switching. If shutdown is not desired, connect the SHDN pin to V<sub>IN</sub>.

**V<sub>BIAS</sub> (Pin 12):** Internal Local Supply. Much of the LT3433 circuitry is powered from this supply, which is internally regulated to 2.5V through an on-board linear regulator. Current drive for this regulator is sourced from the V<sub>IN</sub> pin. The V<sub>BIAS</sub> supply is short-circuit protected to 5mA.

The V<sub>BIAS</sub> supply only sources current, so forcing this pin above the regulated voltage allows the use of external power for much of the LT3433 circuitry. When using external drive, this pin should be driven above 3V to assure the internal supply is completely disabled. This pin is typically diode-connected to the converter output to maximize conversion efficiency. This pin must be bypassed with at least a 0.1μF ceramic capacitor to SGND.

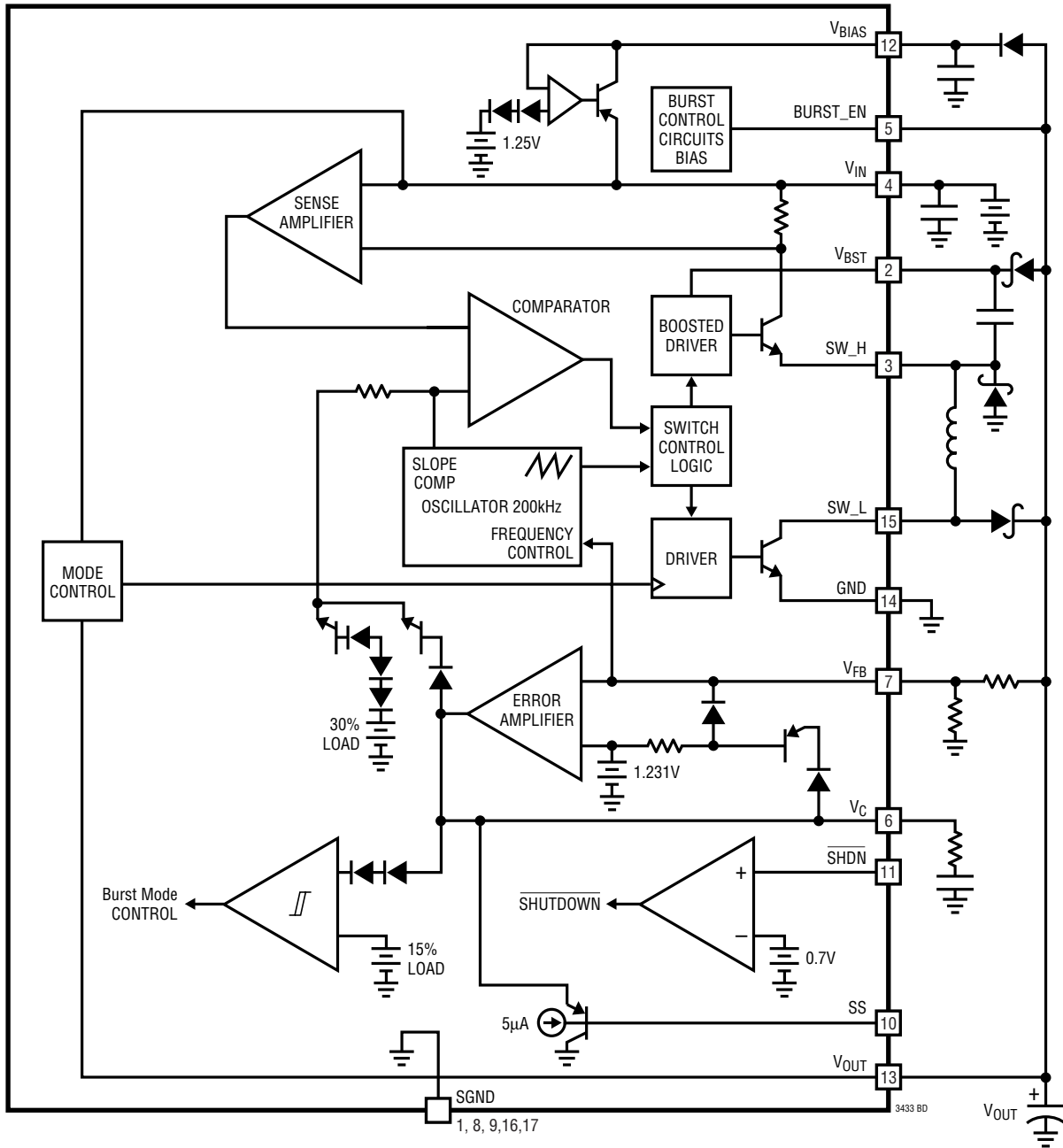
**V<sub>OUT</sub> (Pin 13):** Converter Output Pin. This pin voltage is compared with the voltage on V<sub>IN</sub> internally to control operation in single or 2-switch mode. When the ratios of the two voltages are such that a >75% duty cycle is required for regulation, the low side switch is enabled. Drive bias for the low side switch is also derived directly from this pin.

**PWRGND (Pin 14):** High Current Ground Reference. This is the current return for the low side switch and corresponds to the emitter of the low side switch transistor.

**SW\_L (Pin 15):** Ground Referenced Switch Output. This pin is the collector of the low side switch transistor. The low side switch shorts the SW\_L pin to PWRGND when enabled. The series impedance of the ground-referenced switch is 0.6Ω.

**Exposed Pad (Pin 17):** Exposed Pad must be soldered to PCB ground for optimal thermal performance.

**BLOCK DIAGRAM**



## APPLICATIONS INFORMATION

### Overview

The LT3433 is a high input voltage range, step-up/step-down DC/DC converter IC using a 200kHz constant frequency, current mode architecture. Dual internal switches allow the full input voltage to be imposed across the switched inductor, such that both step-up and step-down modes of operation can be realized using the same single inductor topology.

The LT3433 has provisions for high efficiency, low load operation for battery-powered applications. Burst Mode operation reduces average quiescent current to 100 $\mu$ A in no load conditions. A low current shutdown mode can also be activated, reducing total quiescent current to 10 $\mu$ A.

Much of the LT3433's internal circuitry is biased from an internal low voltage linear regulator. The output of this regulator is brought out to the  $V_{BIAS}$  pin, allowing bypassing of the internal regulator. The associated internal circuitry can be powered directly from the output of the converter, increasing overall converter efficiency. Using externally derived power also eliminates the IC's power dissipation associated with the internal  $V_{IN}$  to  $V_{BIAS}$  regulator.

### Theory of Operation (See Block Diagram)

The LT3433 senses converter output voltage via the  $V_{FB}$  pin. The difference between the voltage on this pin and an internal 1.231V reference is amplified to generate an error voltage on the  $V_C$  pin which is, in turn, used as a threshold for the current sense comparator.

During normal operation, the LT3433 internal oscillator runs at 200kHz. At the beginning of each oscillator cycle, the switch drive is enabled. The switch drive stays enabled until the sensed switch current exceeds the  $V_C$ -derived threshold for the current sense comparator and, in turn, disables the switch driver. If the current comparator threshold is not obtained for the entire oscillator cycle, the switch driver is disabled at the end of the cycle for 250ns. This minimum off-time mode of operation assures regeneration of the  $V_{BST}$  bootstrapped supply.

If the converter input and output voltages are close together, proper operation in normal buck configuration would require high duty cycles. The LT3433 senses this

condition as requiring a duty cycle greater than 75%. If such a condition exists, a second switch is enabled during the switch on time, which acts to pull the output side of the inductor to ground. This "bridged" operation allows voltage conversion to continue when  $V_{OUT}$  approaches or exceeds  $V_{IN}$ .

### Shutdown

The LT3433 incorporates a low current shutdown mode where all IC functions are disabled and the  $V_{IN}$  current is reduced to 10 $\mu$ A. Pulling the SHDN pin down to 0.4V or less activates shutdown mode.

### Burst Mode Operation

The LT3433 employs low current Burst Mode functionality to maximize efficiency during no load and low load conditions. Burst Mode function is disabled by shorting the BURST\_EN pin to either  $V_{BIAS}$  or  $V_{OUT}$ . Burst Mode function is enabled by shorting BURST\_EN to SGND.

In certain wide current range applications, the IC could enter burst operation during normal load conditions. If the additional output ripple and noise generated by Burst Mode operation is not desired for normal operation, BURST\_EN can be biased using an external supply that is disabled during a no-load condition. This enables Burst Mode operation only when it is required. The BURST\_EN pin typically draws 35 $\mu$ A when Burst Mode operation is disabled ( $V_{BURST\_EN} \geq 2V$ ) and will draw no more than 75 $\mu$ A with  $V_{BURST\_EN} = 2V$ .

When the required switch current, sensed via the  $V_C$  pin voltage, is below 30% of maximum, the Burst Mode function is employed. When the voltage on  $V_C$  drops below the 30% load level, that level of sense current is latched into the IC. If the output load requires less than this latched current level, the converter will overdrive the output slightly during each switch cycle. This overdrive condition forces the voltage on the  $V_C$  pin to continue to drop. When the voltage on  $V_C$  drops below the 15% load level, switching is disabled, and the LT3433 shuts down most of its internal circuitry, reducing quiescent current to 100 $\mu$ A. When the voltage on the  $V_C$  pin climbs back to 20% load level, the IC returns to normal operation and switching resumes.

## APPLICATIONS INFORMATION

### Antislope Compensation

Most current mode switching controllers use slope compensation to prevent current mode instability. The LT3433 is no exception. A slope compensation circuit imposes an artificial ramp on the sensed current to increase the rising slope as duty cycle increases. Unfortunately, this additional ramp corrupts the sensed current value, reducing the achievable current limit value by the same amount as the added ramp represents. As such, current limit is typically reduced as duty cycles increase.

The LT3433 contains circuitry to eliminate the current limit reduction associated with slope-compensation, or anti-slope compensation. As the slope compensation ramp is added to the sensed current, a similar ramp is added to the current limit threshold reference. The end result is that current limit is not compromised so the LT3433 can provide full power regardless of required duty cycle.

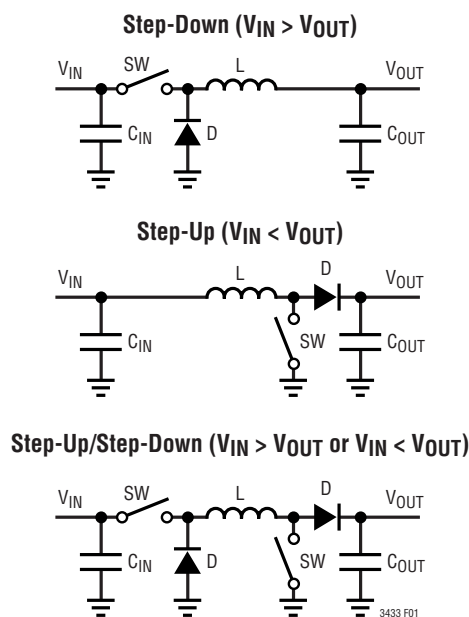
### Mode Switching

The LT3433 switches between buck and buck/boost modes of operation automatically. While in buck mode, if the converter input voltage becomes close enough to the output voltage to require a duty cycle greater than 75%, the LT3433 enables a second switch which pulls the output side of the inductor to ground during the switch-on time. This “bridged” switching configuration allows voltage conversion to continue when  $V_{IN}$  approaches or is less than  $V_{OUT}$ .

When the converter input voltage falls to where the duty cycle required for continuous buck operation is greater than 75%, the LT3433 enables its ground-referred switch, changing the converter operation to a dual-switch bridged configuration. Because the voltage available across the switched inductor is greater while bridged, operational duty cycle will decrease. Voltage drops associated with external diodes and loss terms are estimated internally so that required operating duty cycle can be calculated regardless of specific operating voltages.

In the simplest terms, a buck DC/DC converter switches the  $V_{IN}$  side of the inductor, while a boost converter

switches the  $V_{OUT}$  side of the inductor. The LT3433 bridged topology merges the elements of buck and boost topologies, providing switches on both sides of the inductor. Operating both switches simultaneously achieves both step-up and step-down functionality.



Maximum duty cycle capability ( $DC_{MAX}$ ) gates the dropout capabilities of a buck converter. As  $V_{IN} - V_{OUT}$  is reduced, the required duty cycle increases until  $DC_{MAX}$  is reached, beyond which the converter loses regulation. With a second switch bridging the switched inductor between  $V_{IN}$  and ground, the entire input voltage is imposed across the inductor during the switch-on time, which subsequently reduces the duty cycle required to maintain regulation. Using this topology, regulation is maintained as  $V_{IN}$  approaches or drops below  $V_{OUT}$ .

### Inductor Selection

The primary criterion for inductor value selection in LT3433 applications is the ripple current created in that inductor. Design considerations for ripple current are converter output capabilities in bridged mode, output voltage ripple and the ability of the internal slope compensation waveform to prevent current mode instability.

## APPLICATIONS INFORMATION

The requirement for avoiding current mode instability is that the rising slope of sensed inductor ripple current (S1) is greater than the falling slope (S2). At duty cycles greater than 50% this is not true. To avoid the instability condition, a false signal is added to the sensed current with a slope (S<sub>X</sub>) that is sufficient to prevent current mode instability, or S1 + S<sub>X</sub> ≥ S2. This leads to the following relations:

$$S_X \geq S2(2DC - 1)/DC$$

If the forward voltages of a converter's catch and pass diodes are defined as V<sub>F1</sub> and V<sub>F2</sub>, then:

$$S2 = (V_{OUT} + V_{F1} + V_{F2})/L$$

Solving for L yields a relation for the minimum inductance that will satisfy slope compensation requirements:

$$L_{MIN} = (V_{OUT} + V_{F1} + V_{F2})(2DC - 1)/(DC \cdot S_X)$$

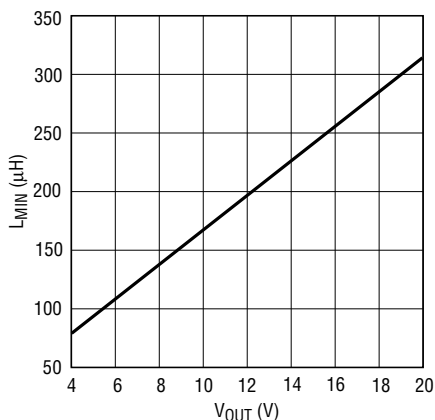
The LT3433 maximizes available dynamic range using a slope compensation generator that generates a continuously increasing slope as duty cycle increases. The slope compensation waveform is calibrated at 80% duty cycle to generate an equivalent slope of at least 0.05A/μs. The equation for minimum inductance then reduces to:

$$L_{MIN} = (V_{OUT} + V_{F1} + V_{F2})(15e-6)$$

For example, with V<sub>OUT</sub> = 5V and using V<sub>F1</sub> + V<sub>F2</sub> = 1.1V (cold):

$$L_{MIN} = (5 + 1.1)(15e-6) = 91.5\mu H$$

**Slope Compensation Requirements  
Typical Minimum Inductor Values vs V<sub>OUT</sub>**

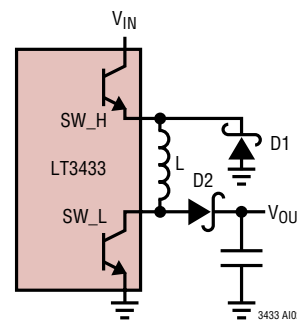


3433 A101

## Converter Capabilities

The output current capability of an LT3433 converter is affected by a myriad of variables. The current in the switches is limited by the LT3433. Switch current is measured coming from the V<sub>IN</sub> supply, and does not directly translate to a limitation in load current. This is especially true during bridged mode operation when the converter output current is discontinuous.

During bridged mode operation, the converter output current is discontinuous, or only flowing to the output while the switches are off (not to be confused with discontinuous switcher operation). As a result, the maximum output current capability of the converter is reduced from that during buck mode operation by a factor of roughly 1 - DC, not including additional losses. Most converter losses are also a function of DC, so operational duty cycle must be accurately determined to predict converter load capabilities.



Application variables:

V<sub>IN</sub> = Converter input supply voltage

V<sub>OUT</sub> = Converter programmed output voltage

V<sub>BST</sub> = Boosted supply voltage (V<sub>BST</sub> - V<sub>SWH</sub>)

DC = Operational duty cycle

f<sub>0</sub> = Switching frequency

I<sub>MAX</sub> = Peak switch current limit

ΔI<sub>L</sub> = Inductor ripple current

I<sub>SW</sub> = Average switch current or peak switch current less half the ripple current (I<sub>MAX</sub> - ΔI<sub>L</sub>/2)

R<sub>SWH</sub> = Boosted switch "on" resistance

R<sub>SWL</sub> = Grounded switch "on" resistance

L = Inductor value

3433f

## APPLICATIONS INFORMATION

$R_L$  = Inductor series resistance

$\Delta_{BST}$  = Boosted switch drive currents  $I_{VBST}/I_{SW}$  (in A/A)

$\Delta_{OUT}$  = Grounded switch drive currents  $I_{VOUT}/I_{SW}$  (in A/A)

$V_{F1}$  = Switch node catch diode forward voltage

$V_{F2}$  = Pass diode forward voltage

$I_{VIN}$  =  $V_{IN}$  quiescent input current

$I_{IN}$  =  $V_{IN}$  switched current

$I_{BIAS}$  =  $V_{BIAS}$  quiescent input current

$R_{CESR}$  = Output capacitor ESR

Operational duty cycle is a function of voltage imposed across the switched inductance and switch on/off times. Using the relation for change in current in an inductor:

$$\delta I = V \cdot \delta t / L$$

and putting the application variables into the above relation yields:

$$\delta I_{ON(BRIDGED)} = (DC/f_0 \cdot L)[V_{IN} - I_{SW} \cdot (R_{SWH} + R_{SWL} + R_L)]$$

$$\delta I_{ON(BUCK)} = (DC/f_0 \cdot L)[V_{IN} - V_{OUT} - V_{F2} - I_{SW} \cdot (R_{SWH} + R_L + R_{ESR})]$$

$$\delta I_{OFF} = [(1 - DC)/f_0 \cdot L][V_{OUT} + V_{F1} + V_{F2} - I_{SW} \cdot (R_L + R_{ESR})]$$

Current conservation in an inductor dictates  $\delta I_{ON} = \delta I_{OFF}$ , so plugging in the above relations and solving for DC yields:

$$DC_{(BRIDGED)} = [V_{OUT} + V_{F1} + V_{F2} - I_{SW} \cdot (R_L + R_{ESR})] / [V_{IN} - I_{SW} \cdot (R_{SWH} + R_{SWL} + 2R_L + R_{ESR}) + V_{OUT} + V_{F1} + V_{F2}]$$

$$DC_{(BUCK)} = [V_{OUT} + V_{F1} + V_{F2} - I_{SW} \cdot (R_L + R_{ESR})] / [V_{IN} - I_{SW} \cdot (R_{SWH} + 2R_L + 2R_{ESR}) + V_{F1}]$$

In order to solve the above equations, inductor ripple current ( $\Delta I$ ) must be determined so  $I_{SW}$  can be calculated.  $\Delta I$  follows the relation:

$$\Delta I = (V_{OUT} + V_{F1} + V_{F2} - I_{SW} \cdot R_L)(1 - DC)/(L \cdot f_0)$$

As  $\Delta I$  is a function of DC and vice-versa, the solution is iterative. Seed  $\Delta I$  and solve for DC. Using the resulting value for DC, solve for  $\Delta I$ . Use the resulting  $\Delta I$  as the new seed value and repeat. The calculated value for DC can be used once the resulting  $\Delta I$  is close (<1%) to the seed value.

Once DC is determined, maximum output current can be determined using current conservation on the converter output:

$$\text{Bridged Operation: } I_{OUT(MAX)} = I_{SW} \cdot [1 - DC \cdot (1 + \Delta_{BST} + \Delta_{OUT})] - I_{BIAS}$$

$$\text{Buck Operation: } I_{OUT(MAX)} = I_{SW} \cdot (1 - DC \cdot \Delta_{BST}) - I_{BIAS}$$

$P_{IN} = P_{OUT} + P_{LOSS}$ , where  $P_{LOSS} = P_{SWON} + P_{SWOFF} + P_{IC}$ , corresponding to the power loss in the converter.  $P_{IC}$  is the quiescent power dissipated by the LT3433.  $P_{SWON}$  is the loss associated with the power path during the switch on interval, and  $P_{SWOFF}$  is the PowerPath™ loss associated with the switch off interval.

$P_{LOSS}$  equals the sum of the power loss terms:

$$P_{VIN} = V_{IN} \cdot I_{VIN}$$

$$P_{BIAS} = V_{OUT} \cdot I_{BIAS}$$

$$P_{SWON(BRIDGED)} = DC \cdot [I_{SW}^2 \cdot (R_{SWH} + R_{SWL} + R_L) + I_{SW} \cdot V_{OUT} \cdot (\Delta_{BST} + \Delta_{OUT}) + R_{CESR} \cdot I_{OUT}^2]$$

$$P_{SWON(BUCK)} = DC \cdot [I_{SW}^2 \cdot (R_{SWH} + R_L) + I_{SW} \cdot V_{OUT} \cdot \Delta_{BST} + R_{CESR} \cdot (I_{SW} \cdot (1 - \Delta_{BST}) - I_{BIAS} - I_{OUT})^2]$$

$$P_{SWOFF} = (1 - DC) \cdot [I_{SW} \cdot (V_{F1} + V_{F2}) + I_{SW}^2 \cdot R_L + R_{CESR} \cdot (I_{SW} - I_{BIAS} - I_{OUT})^2]$$

Efficiency (E) is described as  $P_{OUT}/P_{IN}$ , so:

$$\text{Efficiency} = \{1 + (P_{VIN} + P_{BIAS} + P_{SWON} + P_{SWOFF})/P_{OUT}\}^{-1}$$

Empirical determination of converter capabilities is accomplished by monitoring inductor currents with a current probe under various input voltages and load currents. Decreasing input voltage or increasing load current results in an inductor current increase. When peak inductor currents reach the switch current limit value, maximum output current is achieved. Limiting the inductor currents to the LT3433 specified W/C current limit of 0.5V (cold) will allow margin for operating limit variations. These limitations should be evaluated at the operating temperature extremes required by the application to assure robust performance.

## APPLICATIONS INFORMATION

### Design Example

4V-60V to 5V DC/DC converter (the application on the front page of this data sheet), load capability for  $T_A = 85^\circ\text{C}$ .

#### Application Specific

Constants:

$$V_{IN} = 4\text{V}$$

$$V_{OUT} = 5\text{V}$$

$$L = 100\mu\text{H}$$

$$R_L = 0.28\Omega$$

$$V_{F1} = 0.45\text{V}$$

$$V_{F2} = 0.4\text{V}$$

$$R_{CESR} = 0.01\Omega$$

LT3433 W/C Constants:

$$I_{MAX} = 0.55\text{A}$$

$$R_{SWH} = 1.2\Omega$$

$$R_{SWL} = 1\Omega$$

$$f_0 = 190\text{kHz}$$

$$\Delta_{BST} = 0.05$$

$$\Delta_{OUT} = 0.05$$

$$I_{VIN} = 600\mu\text{A}$$

$$I_{BIAS} = 800\mu\text{A}$$

The LT3433 operates in bridged mode with  $V_{IN} = 4\text{V}$ , so the relations used are:

$$DC = [V_{OUT} + V_{F1} + V_{F2} - I_{SW} \cdot (R_L + R_{ESR})] / [V_{IN} - I_{SW} \cdot (R_{SWH} + R_{SWL} + 2R_L + R_{ESR}) + V_{OUT} + V_{F1} + V_{F2}]$$

$$\Delta I = (V_{OUT} + V_{F1} + V_{F2} - I_{SW} \cdot R_L) \cdot (1 - DC) / (L \cdot f_0)$$

$$I_{OUT(MAX)} = I_{SW} \cdot [1 - DC \cdot (1 + \Delta_{BST} + \Delta_{OUT})] - I_{BIAS}$$

Iteration procedure for DC:

- (1) Set initial seed value for  $\Delta I$  (this example will set  $\Delta I = 0$ ).
- (2) Using seed value for  $\Delta I$ , determine  $I_{SW}$  ( $I_{SW} = 0.55 - 0 = 0.55$ ).
- (3) Use calculated  $I_{SW}$  and above design constants to solve the DC relation ( $DC = 0.683$ ).
- (4) Use calculated DC to solve the  $\Delta I$  relation (yields  $\Delta I = 0.0949$ ).
- (5) If calculated  $\Delta I$  is equal to the seed value, stop. Otherwise, use calculated  $\Delta I$  as new seed value and repeat (2) through (4).

ITERATION #	SEED $\Delta I$	CALCULATED VALUES		
		$I_{SW}$	DC	$\Delta I$
1	0	0.55	0.683	0.095
2	0.095	0.503	0.674	0.098
3	0.098	0.501	0.674	0.098

After iteration,  $DC = 0.674$  and  $\Delta I = 0.098$ .

Use iteration result for DC and above design constants to solve the  $I_{OUT(MAX)}$  relation:

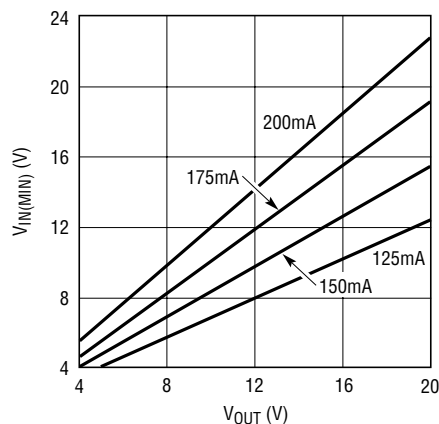
$$I_{OUT(MAX)} = 0.501 \cdot [1 - 0.674 \cdot (1 + 0.05 + 0.05)] - 800\mu\text{A}$$

$$I_{OUT(MAX)} = 129\text{mA}$$

### Increased Output Voltages

The LT3433 can be used in converter applications with output voltages from 3.3V through 20V, but as converter output voltages increase, output current and duty cycle limitations prevent operation with  $V_{IN}$  at the extreme low end of the LT3433 operational range. When a converter operates as a buck/boost, the output current becomes discontinuous, which reduces output current capability by roughly a factor of  $1 - DC$ , where  $DC =$  duty cycle. As such, the output current requirement dictates a minimum input voltage where output regulation can be maintained.

Typical Minimum Input Voltage as a Function of Output Voltage and Required Load Current



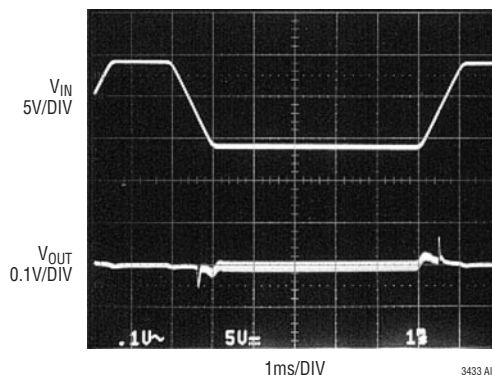
3433 AI03

## APPLICATIONS INFORMATION

### Input Voltage Transient Suppression

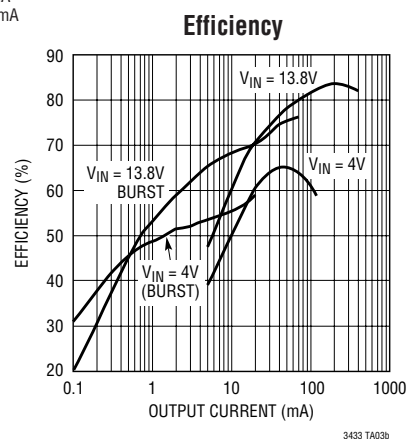
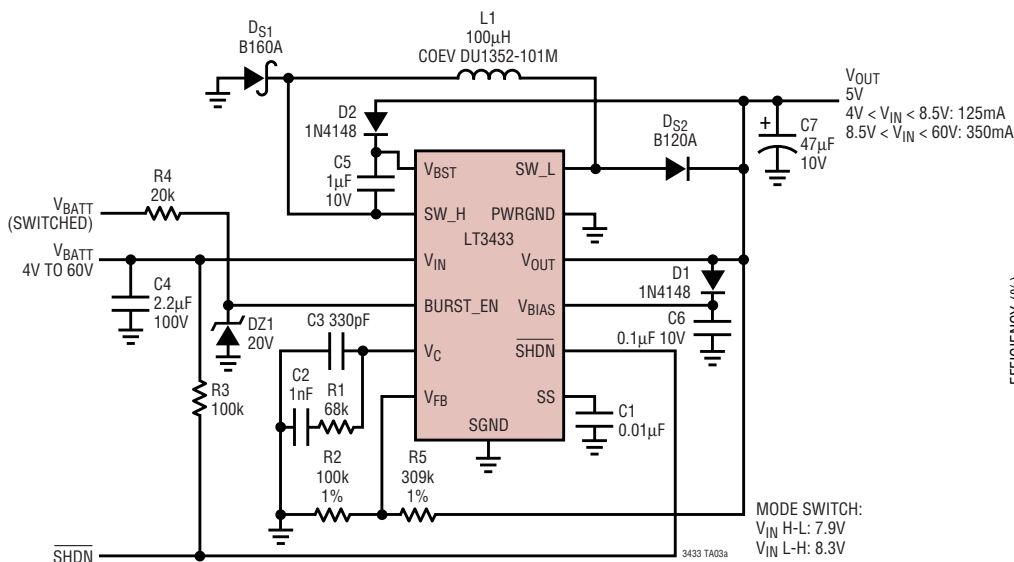
Not only does a LT3433 converter operate across a large range of DC input voltages, it also maintains tight output regulation during significant input voltage transients. The LT3433 automatic transitioning between buck and buck/boost modes of operation provides seamless output regulation over these input voltage transients. In an automotive environment, input voltage transients are commonplace, such as those experienced during a cold crank condition. During the initiation of cold crank, the battery rail can be pulled down to 4V in as little as 1ms. In a 4V-60V to 5V DC/DC converter application (shown on the first page of this data sheet) a cold crank transient condition, simulated with a 1ms 13.8V to 4V input transition, yields regulation maintained to 1% with a 125mA load.

4V-50V to 5V Converter Input Transient Response  
1ms 13.8V to 4V Input Transition



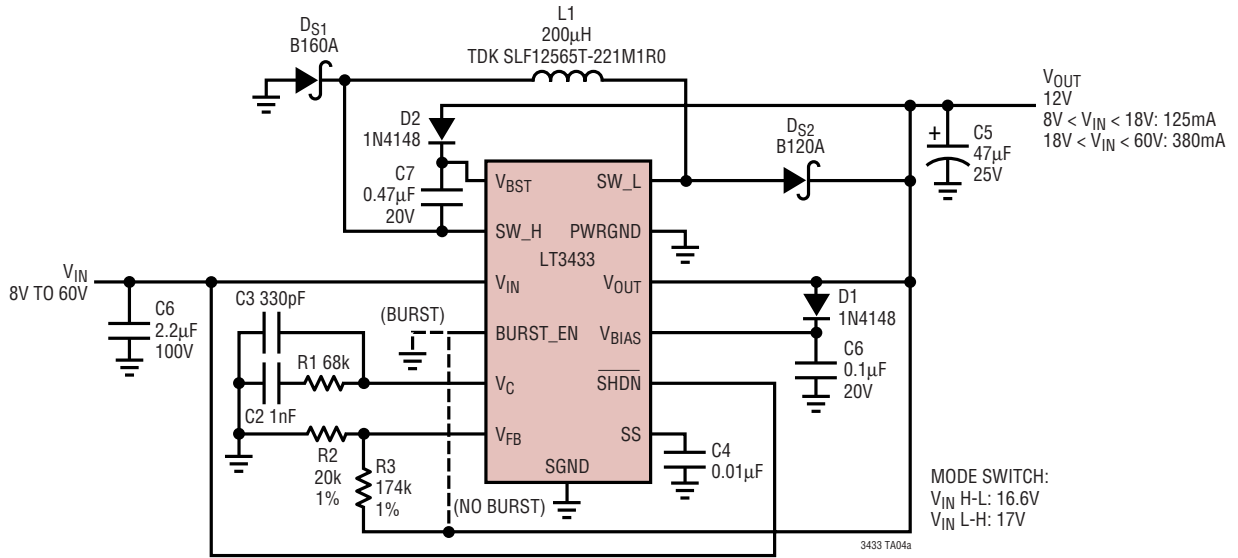
## TYPICAL APPLICATIONS

4V-60V to 5V Converter with Switched Burst Enable and Shutdown

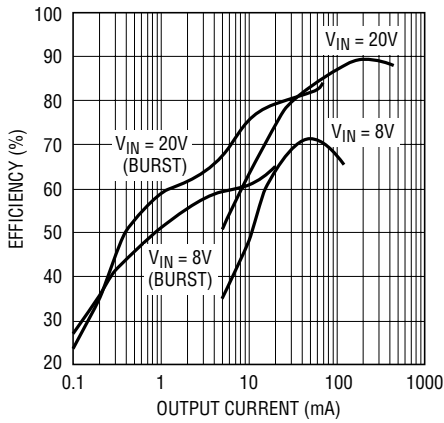


TYPICAL APPLICATIONS

8V-60V to 12V Converter

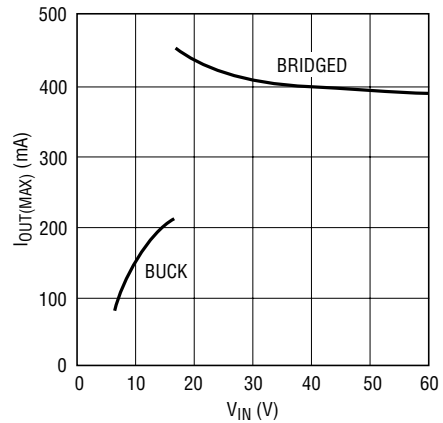


Efficiency



3433 TA04b

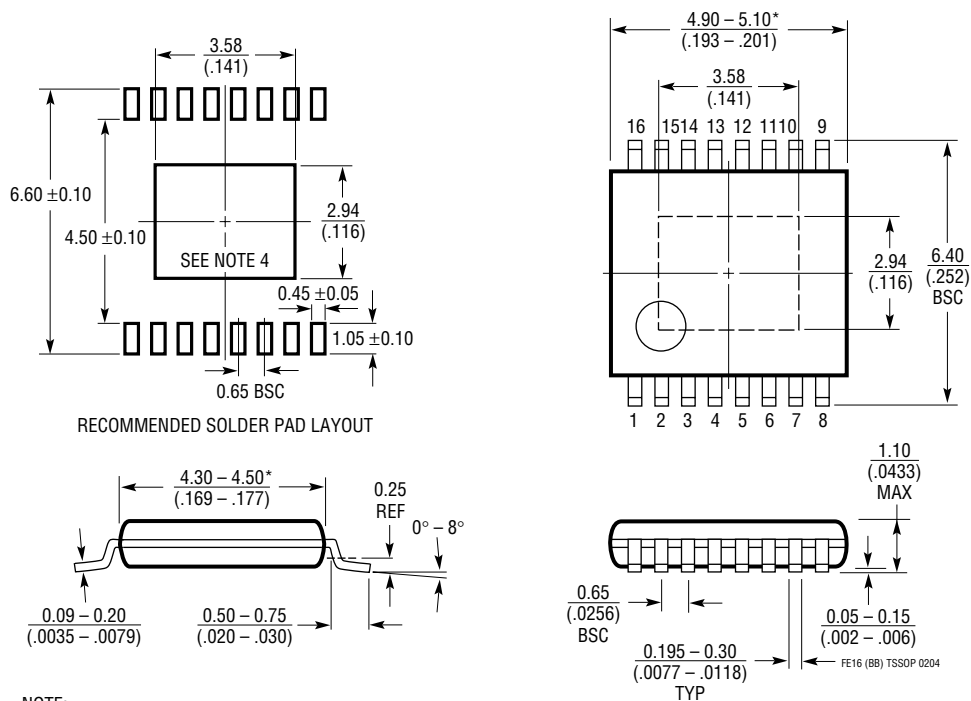
Minimum Output Current vs V<sub>IN</sub>



3433 TA04c

# PACKAGE DESCRIPTION

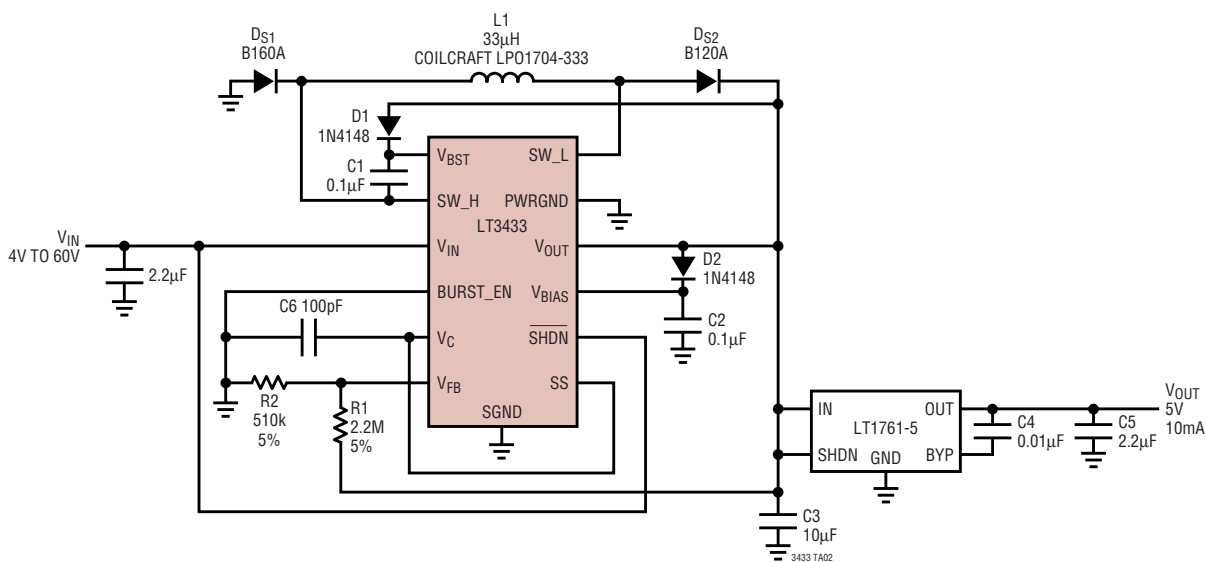
**FE Package**  
**16-Lead Plastic TSSOP (4.4mm)**  
 (Reference LTC DWG # 05-08-1663)  
**Exposed Pad Variation BB**



- NOTE:
1. CONTROLLING DIMENSION: MILLIMETERS
  2. DIMENSIONS ARE IN  $\frac{\text{MILLIMETERS}}{\text{INCHES}}$
  3. DRAWING NOT TO SCALE
  4. RECOMMENDED MINIMUM PCB METAL SIZE FOR EXPOSED PAD ATTACHMENT
- \*DIMENSIONS DO NOT INCLUDE MOLD FLASH. MOLD FLASH SHALL NOT EXCEED 0.150mm (.006") PER SIDE

## TYPICAL APPLICATION

### Burst Only Low Noise 5V Maintenance Supply



## RELATED PARTS

PART NUMBER	DESCRIPTION	COMMENTS
LT1076/LT1076HV	1.6A ( $I_{OUT}$ ), 100kHz High Efficiency Step-Down DC/DC Converters	$V_{IN}$ : 7.3V to 45V/64V, $V_{OUT(MIN)}$ = 2.21V, $I_Q$ = 8.5mA, $I_{SD}$ < 10µA, DD5/DD7, TO220-5/TO220-7
LT1676	60V, 440mA ( $I_{OUT}$ ), 100kHz High Efficiency Step-Down DC/DC Converter	$V_{IN}$ : 7.4V to 60V, $V_{OUT(MIN)}$ = 1.24V, $I_Q$ = 3.2mA, $I_{SD}$ < 2.5µA, SO-8
LT1765	25V, 2.75A ( $I_{OUT}$ ), 1.25MHz High Efficiency Step-Down DC/DC Converter	$V_{IN}$ : 3V to 25V, $V_{OUT(MIN)}$ = 1.20V, $I_Q$ = 1mA, $I_{SD}$ < 15µA, SO-8, TSSOP16E
LT1766/LT1956	60V, 1.2A ( $I_{OUT}$ ), 200kHz/500kHz High Efficiency Step-Down DC/DC Converters	$V_{IN}$ : 5.5V to 60V, $V_{OUT(MIN)}$ = 1.20V, $I_Q$ = 2.5mA, $I_{SD}$ < 25µA, TSSOP16/TSSOP16E
LT1767	25V, 1.2A ( $I_{OUT}$ ), 1.25MHz High Efficiency Step-Down DC/DC Converter	$V_{IN}$ : 3V to 25V, $V_{OUT(MIN)}$ = 1.20V, $I_Q$ = 1mA, $I_{SD}$ < 6µA, MS8/MS8E
LT1776	40V, 550mA ( $I_{OUT}$ ), 200kHz High Efficiency Step-Down DC/DC Converter	$V_{IN}$ : 7.4V to 40V, $V_{OUT(MIN)}$ = 1.24V, $I_Q$ = 3.2mA, $I_{SD}$ < 30µA, N8, SO-8
LT1976	60V, 1.2A ( $I_{OUT}$ ), 200kHz High Efficiency Micropower ( $I_Q$ < 100µA) Step-Down DC/DC Converter	$V_{IN}$ : 3.3V to 60V, $V_{OUT(MIN)}$ = 1.20V, $I_Q$ = 100µA, $I_{SD}$ < 1µA, TSSOP16E
LT3010	80V, 50mA Low Noise Linear Regulator	$V_{IN}$ : 1.5V to 80V, $V_{OUT(MIN)}$ = 1.28V, $I_Q$ = 30µA, $I_{SD}$ < 1µA, MS8E
LTC3412/LTC3414	2.5A ( $I_{OUT}$ ), 4MHz Synchronous Step-Down DC/DC Converters	$V_{IN}$ : 2.5V to 5.5V, $V_{OUT(MIN)}$ = 0.8V, $I_Q$ = 60µA, $I_{SD}$ < 1µA, TSSOP16E
LTC3414	4A ( $I_{OUT}$ ), 4MHz Synchronous Step-Down DC/DC Converter	$V_{IN}$ : 2.3V to 5.5V, $V_{OUT(MIN)}$ = 0.8V, $I_Q$ = 64µA, $I_{SD}$ < 1µA, TSSOP20E
LTC3727/LTC3727-1	36V, 500kHz High Efficiency Step-Down DC/DC Controllers	$V_{IN}$ : 4V to 36V, $V_{OUT(MIN)}$ = 0.8V, $I_Q$ = 670µA, $I_{SD}$ < 20µA, QFN32, SSOP28
LT3430/LT3431	60V, 2.75A ( $I_{OUT}$ ), 200kHz/500kHz High Efficiency Step-Down DC/DC Converters	$V_{IN}$ : 5.5V to 60V, $V_{OUT(MIN)}$ = 1.20V, $I_Q$ = 2.5mA, $I_{SD}$ < 30µA, TSSOP16E
LTC3440/LTC3441	600mA/1.2A ( $I_{OUT}$ ), 2MHz/1MHz Synchronous Buck-Boost DC/DC Converter with 95% Efficiency	$V_{IN}$ : 2.5V to 5.5V, $V_{OUT(MIN)}$ = 2.5V, $I_Q$ = 25µA, $I_{SD}$ < 1µA, MS10

## Looking for pricing, stock, or lifecycle information?

Click below to explore more details on WIN SOURCE:

 [View LT3433IFE#PBF on WIN SOURCE](#)

 [Linear Technology](#) Information

## Optimize Your Supply Chain with WIN SOURCE Solutions

-  Global Sourcing Solution
-  Obsolete Management
-  Cost Control Management
-  Shortage Management
-  Alternative Solution
-  Excess Inventory Management