



**THE DATASHEET OF
LTC1625IS#TRPBF**



No R_{SENSE} ™ Current Mode Synchronous Step-Down Switching Regulator

FEATURES

- Highest Efficiency Current Mode Controller
- No Sense Resistor Required
- Stable High Current Operation
- Dual N-Channel MOSFET Synchronous Drive
- Wide V_{IN} Range: 3.7V to 36V
- Wide V_{OUT} Range: 1.19V to V_{IN}
- $\pm 1\%$ 1.19V Reference
- Programmable Fixed Frequency with Injection Lock
- Very Low Drop Out Operation: 99% Duty Cycle
- Forced Continuous Mode Control Pin
- Optional Programmable Soft Start
- Pin Selectable Output Voltage
- Foldback Current Limit
- Output Overvoltage Protection
- Logic Controlled Micropower Shutdown: $I_Q < 30\mu A$
- Available in 16-Lead Narrow SSOP and SO Packages

APPLICATIONS

- Notebook and Palmtop Computers, PDAs
- Cellular Telephones and Wireless Modems
- Battery Chargers
- Distributed Power

DESCRIPTION

The LTC[®]1625 is a synchronous step-down switching regulator controller that drives external N-Channel power MOSFETs using few external components. Current mode control with MOSFET V_{DS} sensing eliminates the need for a sense resistor and improves efficiency. The frequency of a nominal 150kHz internal oscillator can be synchronized to an external clock over a 1.5:1 frequency range.

Burst Mode™ operation at low load currents reduces switching losses and low dropout operation extends operating time in battery-powered systems. A forced continuous mode control pin can assist secondary winding regulation by disabling Burst Mode operation when the main output is lightly loaded.

Fault protection is provided by foldback current limiting and an output overvoltage comparator. An external capacitor attached to the RUN/SS pin provides soft start capability for supply sequencing. A wide supply range allows operation from 3.7V (3.9V for LTC1625I) to 36V at the input and 1.19V to V_{IN} at the output.

LT, LTC and LT are registered trademarks of Linear Technology Corporation. No R_{SENSE} and Burst Mode are trademarks of Linear Technology Corporation.

TYPICAL APPLICATION

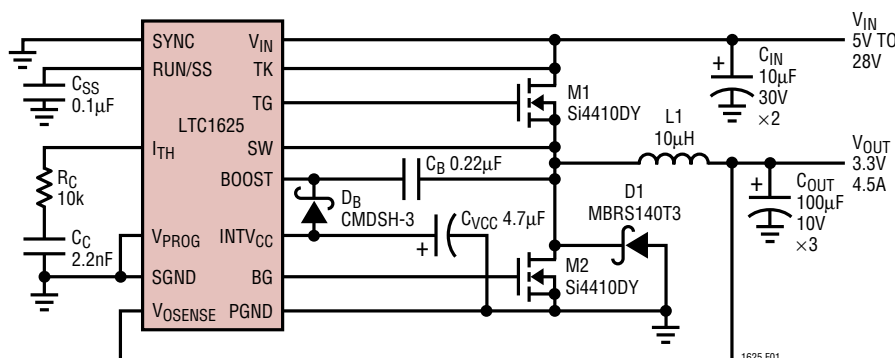
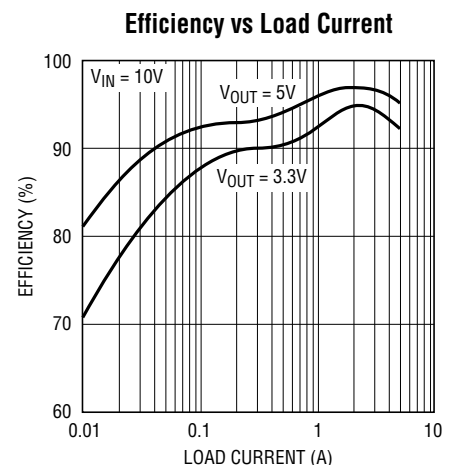


Figure 1. High Efficiency Step-Down Converter



1625 TA01

ABSOLUTE MAXIMUM RATINGS

(Note 1)

Input Supply Voltage (V_{IN} , TK)	36V to -0.3V
Boosted Supply Voltage (BOOST)	42V to -0.3V
Boosted Driver Voltage (BOOST - SW)	7V to -0.3V
Switch Voltage (SW)	36V to -5V
EXTV _{CC} Voltage	7V to -0.3V
I _{TH} Voltage	2.7V to -0.3V
FCB, RUN/SS, SYNC Voltages	7V to -0.3V
V _{OSENSE} , V _{PROG} Voltages	(INTV _{CC} + 0.3V) to -0.3V
Peak Driver Output Current < 10 μ s (TG, BG)	2A
INTV _{CC} Output Current	50mA
Operating Ambient Temperature Range	
LTC1625C	0°C to 70°C
LTC1625I (Note 5)	-40°C to 85°C
Junction Temperature (Note 2)	125°C
Storage Temperature Range	-65°C to 150°C
Lead Temperature (Soldering, 10 sec)	300°C

PACKAGE/ORDER INFORMATION

<p>GN PACKAGE S PACKAGE 16-LEAD PLASTIC SSOP 16-LEAD PLASTIC SO</p> <p>T_{JMAX} = 125°C, θ_{JA} = 130°C/W (GN) T_{JMAX} = 125°C, θ_{JA} = 110°C/W (S)</p>	ORDER PART NUMBER
	LTC1625CGN LTC1625CS LTC1625IGN LTC1625IS

Consult factory for Military grade parts.

ELECTRICAL CHARACTERISTICS

T_A = 25°C, V_{IN} = 15V unless otherwise noted.

SYMBOL	PARAMETER	CONDITIONS	MIN	TYP	MAX	UNITS	
Main Control Loop							
I _{INVOSENSE}	Feedback Current	V _{PROG} Pin Open, I _{TH} = 1.19V (Note 3)		10	50	nA	
V _{OUT}	Regulated Output Voltage 1.19V (Adjustable) Selected 3.3V Selected 5V Selected	I _{TH} = 1.19V (Note 3)	●	1.178	1.190	1.202	V
		V _{PROG} Pin Open	●	3.220	3.300	3.380	V
		V _{PROG} = 0V	●	4.900	5.000	5.100	V
		V _{PROG} = INTV _{CC}					
V _{LINEREG}	Reference Voltage Line Regulation	V _{IN} = 3.6V to 20V, I _{TH} = 1.19V (Note 3), V _{PROG} Pin Open		0.001	0.01	%/V	
V _{LOADREG}	Output Voltage Load Regulation	I _{TH} = 2V (Note 3)	●	-0.020	-0.2	%	
		I _{TH} = 0.5V (Note 3)	●	0.035	0.2	%	
V _{FCB}	Forced Continuous Threshold	V _{FCB} Ramping Negative	●	1.16	1.19	1.22	V
I _{FCB}	Forced Continuous Current	V _{FCB} = 1.19V		-1	-2	μ A	
V _{OVL}	Output Overvoltage Lockout	V _{PROG} Pin Open		1.24	1.28	1.32	V
I _{PROG}	V _{PROG} Input Current 3.3V V _{OUT} 5V V _{OUT}	V _{PROG} = 0V		-3.5	-7	μ A	
		V _{PROG} = 5V		3.5	7	μ A	
I _Q	Input DC Supply Current Normal Mode Shutdown	EXTV _{CC} = 5V (Note 4)		500		μ A	
		V _{RUN/SS} = 0V, 3.7V < V _{IN} < 15V		15	30	μ A	
V _{RUN/SS}	RUN/SS Pin Threshold		●	0.8	1.4	2	V
I _{RUN/SS}	Soft Start Current Source	V _{RUN/SS} = 0V		1.2	2.5	4	μ A
$\Delta V_{SENSE(MAX)}$	Maximum Current Sense Threshold	V _{OSENSE} = 1V, V _{PROG} Pin Open		120	150	170	mV
TG t _R TG t _F	TG Transition Time Rise Time Fall Time	C _{LOAD} = 3300pF		50	150	ns	
		C _{LOAD} = 3300pF		50	150	ns	

ELECTRICAL CHARACTERISTICS $T_A = 25^\circ\text{C}$, $V_{IN} = 15\text{V}$ unless otherwise noted.

SYMBOL	PARAMETER	CONDITIONS	MIN	TYP	MAX	UNITS	
BG t_R	BG Transition Time Rise Time	$C_{LOAD} = 3300\text{pF}$		50	150	ns	
BG t_F	BG Transition Time Fall Time	$C_{LOAD} = 3300\text{pF}$		50	150	ns	
Internal V_{CC} Regulator							
$V_{INTV_{CC}}$	Internal V_{CC} Voltage	$6\text{V} < V_{IN} < 30\text{V}$, $V_{EXTV_{CC}} = 4\text{V}$	●	5.0	5.2	5.4	V
V_{LDOINT}	INTV _{CC} Load Regulation	$I_{CC} = 20\text{mA}$, $V_{EXTV_{CC}} = 4\text{V}$		-1	-2		%
V_{LDOEXT}	EXTV _{CC} Voltage Drop	$I_{CC} = 20\text{mA}$, $V_{EXTV_{CC}} = 5\text{V}$		180	300		mV
$V_{EXTV_{CC}}$	EXTV _{CC} Switchover Voltage	$I_{CC} = 20\text{mA}$, $V_{EXTV_{CC}}$ Ramping Positive	●	4.5	4.7		V
Oscillator							
f_{OSC}	Oscillator Frequency			135	150	165	kHz
f_H/f_{OSC}	Maximum Synchronized Frequency Ratio			1.5			
V_{SYNC}	SYNC Pin Threshold (Figure 4)	Ramping Positive		0.9	1.2		V
R_{SYNC}	SYNC Pin Input Resistance			50			k Ω

The ● denotes specifications which apply over the full operating temperature range.

Note 1: Absolute Maximum Ratings are those values beyond which the life of a device may be impaired.

Note 2: T_J is calculated from the ambient temperature T_A and power dissipation P_D according to the following formula:

$$\text{LTC1625CGN/LTC1625IGN: } T_J = T_A + (P_D \cdot 130^\circ\text{C/W})$$

$$\text{LTC1625CS/LTC1625IS: } T_J = T_A + (P_D \cdot 110^\circ\text{C/W})$$

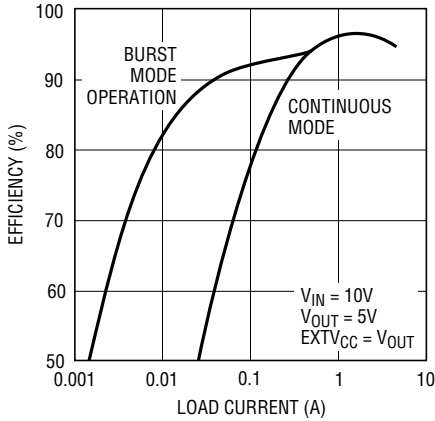
Note 3: The LTC1625 is tested in a feedback loop that adjusts V_{OSENSE} to achieve a specified error amplifier output voltage (I_{TH}).

Note 4: Typical in application circuit with EXTV_{CC} tied to $V_{OUT} = 5\text{V}$, $I_{OUT} = 0\text{A}$ and FCB = INTV_{CC}. Dynamic supply current is higher due to the gate charge being delivered at the switching frequency. See Applications Information.

Note 5: Minimum input supply voltage is 3.9V at -40°C for industrial grade parts.

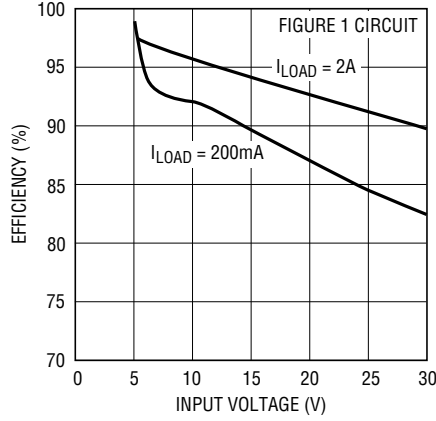
TYPICAL PERFORMANCE CHARACTERISTICS

Efficiency vs Load Current



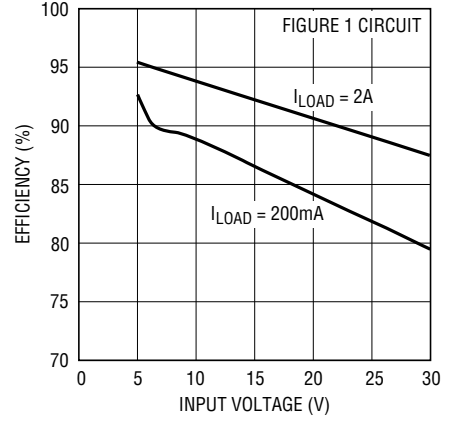
1625 G01

Efficiency vs Input Voltage, V_{OUT} = 5V



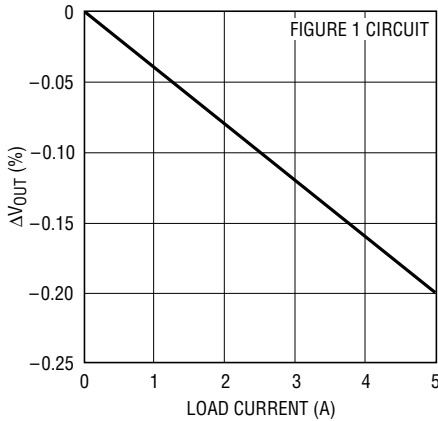
1625 G02

Efficiency vs Input Voltage, V_{OUT} = 3.3V



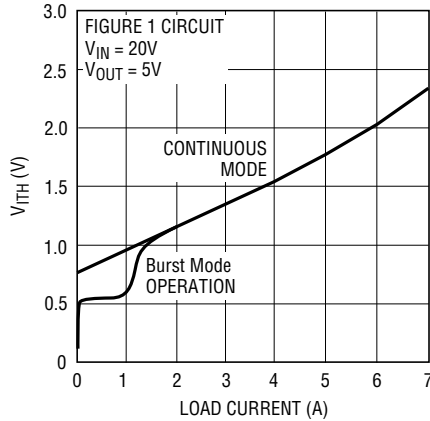
1625 G02

Load Regulation



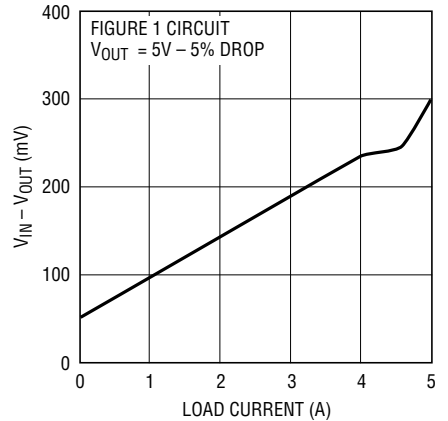
1625 G04

I_{TH} Pin Voltage vs Load Current



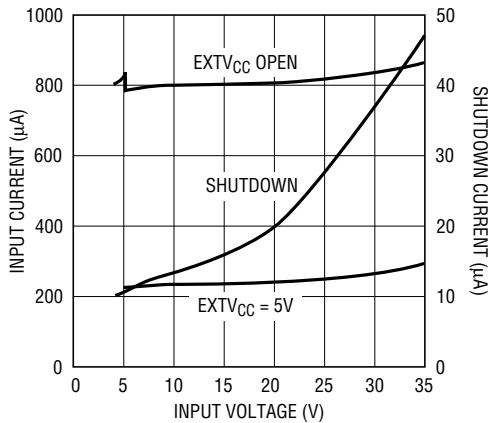
1625 G05

V_{IN} - V_{OUT} Dropout Voltage vs Load Current



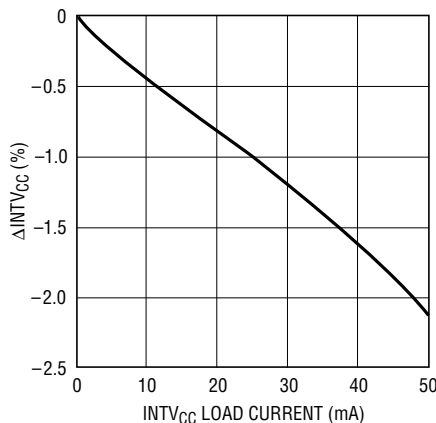
1625 G06

Input and Shutdown Current vs Input Voltage



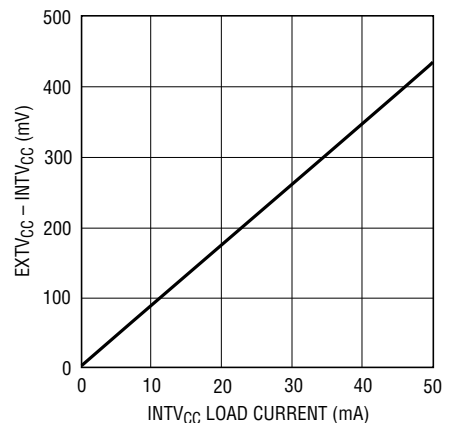
1625 G07

INTV_{CC} Load Regulation



1625 G08

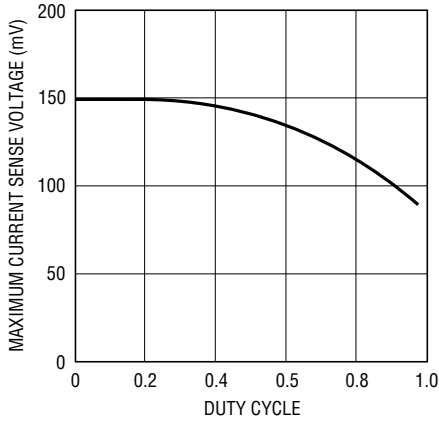
EXTV_{CC} Switch Drop vs INTV_{CC} Load Current



1625 G09

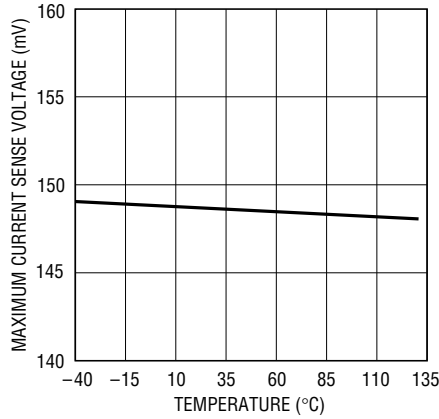
TYPICAL PERFORMANCE CHARACTERISTICS

Maximum Current Sense Voltage vs Duty Cycle



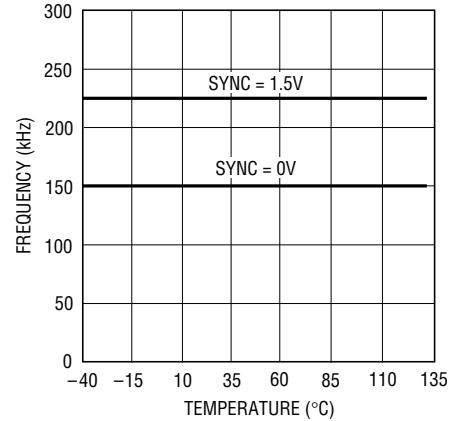
1625 G10

Maximum Current Sense Voltage vs Temperature



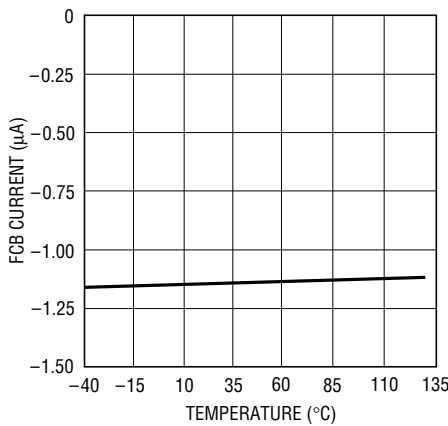
1625 G11

Oscillator Frequency vs Temperature



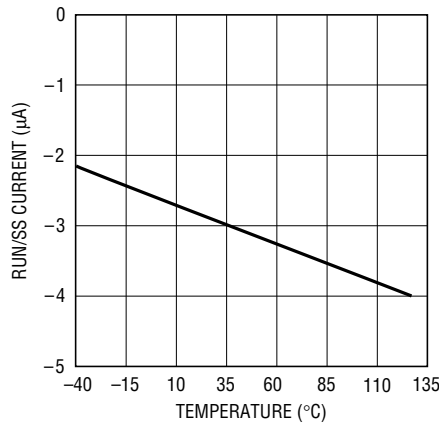
1625 G12

FCB Pin Current vs Temperature



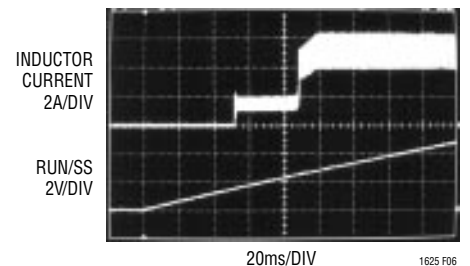
1625 G13

RUN/SS Pin Current vs Temperature



1625 G14

Soft Start: Load Current vs Time



1625 F06

$V_{IN} = 20V$
 $V_{OUT} = 5V$
 $R_{LOAD} = 1\Omega$
 FIGURE 1 CIRCUIT

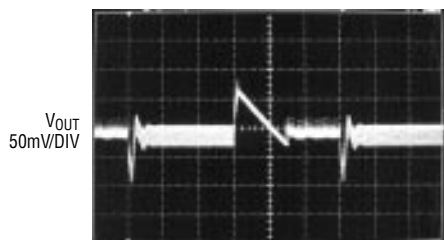
Transient Response



1625 F07

$V_{IN} = 20V$
 $V_{OUT} = 5V$
 $I_{LOAD} = 1A \text{ TO } 4A$
 FIGURE 1 CIRCUIT

Transient Response (Burst Mode Operation)



1625 F08

$V_{IN} = 20V$
 $V_{OUT} = 5V$
 $I_{LOAD} = 50mA \text{ TO } 1A$
 FIGURE 1 CIRCUIT

Burst Mode Operation



1625 F09

$V_{IN} = 20V$
 $V_{OUT} = 5V$
 $I_{LOAD} = 50mA$
 FIGURE 1 CIRCUIT

PIN FUNCTIONS

EXTV_{CC} (Pin 1): INTV_{CC} Switch Input. When the EXTV_{CC} voltage is above 4.7V, the switch closes and supplies INTV_{CC} power from EXTV_{CC}. Do not exceed 7V at this pin.

SYNC (Pin 2): Synchronization Input for Internal Oscillator. The oscillator will nominally run at 150kHz when open, 225kHz when tied above 1.2V, and will lock over a 1.5:1 clock frequency range.

RUN/SS (Pin 3): Run Control and Soft Start Input. A capacitor to ground at this pin sets the ramp time to full current output (approximately 1s/μF). Forcing this pin below 1.4V shuts down the device.

FCB (Pin 4): Forced Continuous Input. Tie this pin to ground to force synchronous operation at low load, to a resistive divider from the secondary output when using a secondary winding, or to INTV_{CC} to enable Burst Mode operation at low load.

I_{TH} (Pin 5): Error Amplifier Compensation Point. The current comparator threshold increases with this control voltage. Nominal voltage range for this pin is 0V to 2.4V.

SGND (Pin 6): Signal Ground. Connect to the (–) terminal of C_{OUT}.

V_{OSENSE} (Pin 7): Output Voltage Sense. Feedback input from the remotely sensed output voltage or from an external resistive divider across the output.

V_{PROG} (Pin 8): Output Voltage Programming. When V_{OSENSE} is connected to the output, V_{PROG} < 0.8V selects a 3.3V output and V_{PROG} > 3.5V selects a 5V output.

Leaving V_{PROG} open allows the output voltage to be set by an external resistive divider between the output and V_{OSENSE}.

PGND (Pin 9): Driver Power Ground. Connects to the source of the bottom N-channel MOSFET, the (–) terminal of C_{VCC} and the (–) terminal of C_{IN}.

BG (Pin 10): Bottom Gate Drive. Drives the gate of the bottom N-channel MOSFET between ground and INTV_{CC}.

INTV_{CC} (Pin 11): Internal 5.2V Regulator Output. The driver and control circuits are powered from this voltage. Decouple this pin to power ground with a minimum of 4.7μF tantalum capacitance.

BOOST (Pin 12): Topside Floating Driver Supply. The (+) terminal of the bootstrap capacitor connects here. This pin swings from a diode drop below INTV_{CC} to V_{IN} + INTV_{CC}.

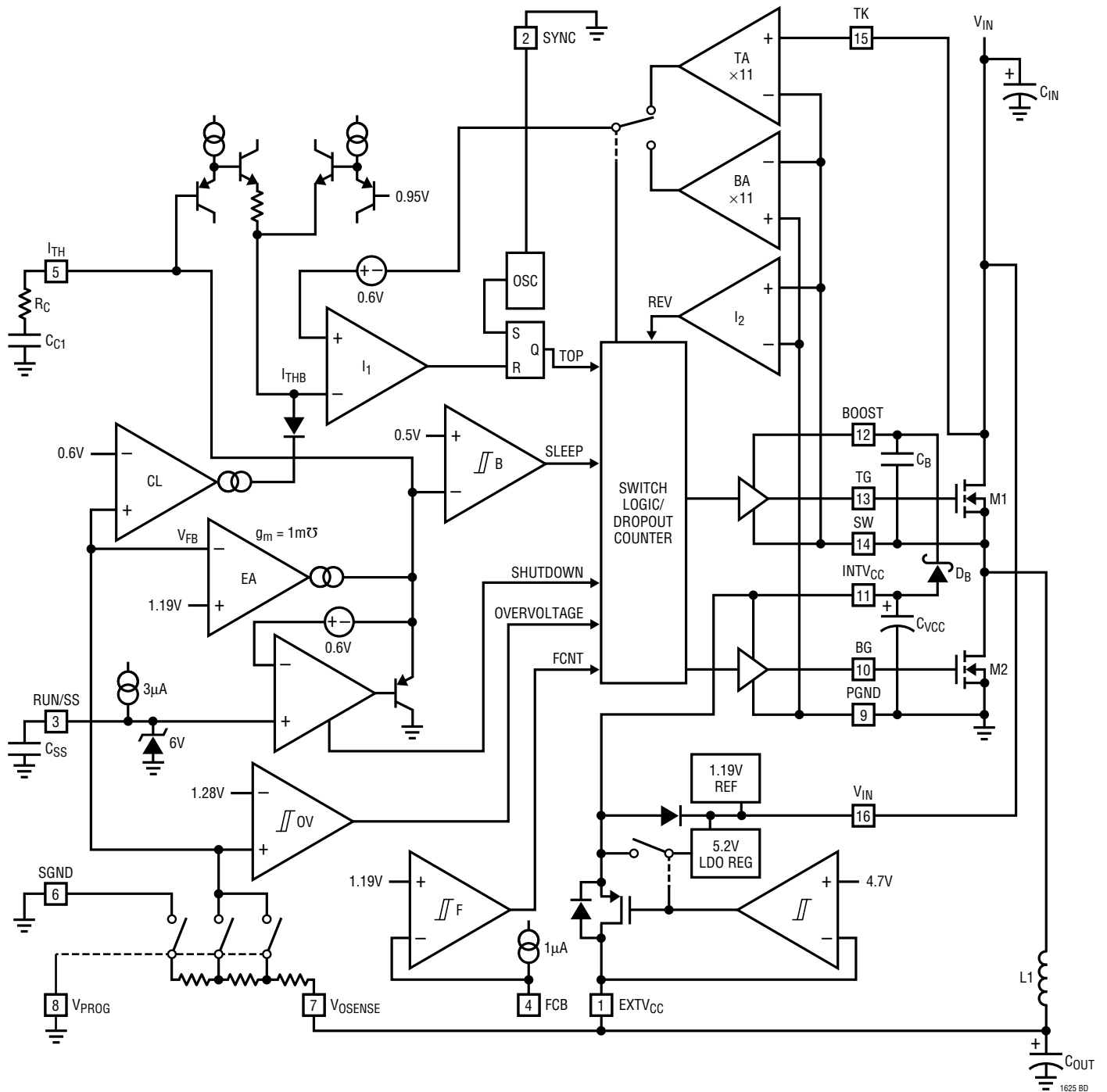
TG (Pin 13): Top Gate Drive. Drives the top N-channel MOSFET with a voltage swing equal to INTV_{CC} minus a diode drop, superimposed on the switch node voltage.

SW (Pin 14): Switch Node. The (–) terminal of the bootstrap capacitor connects here. This pin swings from a diode drop below ground up to V_{IN}.

TK (Pin 15): Top MOSFET Kelvin Sense. MOSFET V_{DS} sensing requires this pin to be routed to the drain of the top MOSFET separately from V_{IN}.

V_{IN} (Pin 16): Main Supply Input. Decouple this pin to ground with an RC filter (4.7Ω, 0.1μF) for applications above 3A.

FUNCTIONAL DIAGRAM



OPERATION

Main Control Loop

The LTC1625 is a constant frequency, current mode controller for DC/DC step-down converters. In normal operation, the top MOSFET is turned on when the RS latch is set by the on-chip oscillator and is turned off when the current comparator I_1 resets the latch. While the top MOSFET is turned off, the bottom MOSFET is turned on until either the inductor current reverses, as determined by the current reversal comparator I_2 , or the next cycle begins. Inductor current is measured by sensing the V_{DS} potential across the conducting MOSFET. The output of the appropriate sense amplifier (TA or BA) is selected by the switch logic and applied to the current comparator. The voltage on the I_{TH} pin sets the comparator threshold corresponding to peak inductor current. The error amplifier EA adjusts this voltage by comparing the feedback signal V_{FB} from the output voltage with the internal 1.19V reference. The V_{PROG} pin selects whether the feedback voltage is taken directly from the V_{OSENSE} pin or is derived from an on-chip resistive divider. When the load current increases, it causes a drop in the feedback voltage relative to the reference. The I_{TH} voltage then rises until the average inductor current again matches the load current.

The internal oscillator can be synchronized to an external clock applied to the SYNC pin and can lock to a frequency between 100% and 150% of its nominal 150kHz rate. When the SYNC pin is left open, it is pulled low internally and the oscillator runs at its normal rate. If this pin is taken above 1.2V, the oscillator will run at its maximum 225kHz rate.

Pulling the RUN/SS pin low forces the controller into its shutdown state and turns off both MOSFETs. Releasing the RUN/SS pin allows an internal 3 μ A current source to charge up an external soft start capacitor C_{SS} . When this voltage reaches 1.4V, the controller begins switching, but with the I_{TH} voltage clamped at approximately 0.8V. As C_{SS} continues to charge, the clamp is raised until full range operation is restored.

The top MOSFET driver is powered from a floating bootstrap capacitor C_B . This capacitor is normally recharged from $INTV_{CC}$ through a diode D_B when the top MOSFET is turned off. As V_{IN} decreases towards V_{OUT} , the converter

will attempt to turn on the top MOSFET continuously (“dropout”). A dropout counter detects this condition and forces the top MOSFET to turn off for about 500ns every tenth cycle to recharge the bootstrap capacitor.

An overvoltage comparator OV guards against transient overshoots and other conditions that may overvoltage the output. In this case, the top MOSFET is turned off and the bottom MOSFET is turned on until the overvoltage condition is cleared.

Foldback current limiting for an output shorted to ground is provided by a transconductance amplifier CL. As V_{FB} drops below 0.6V, the buffered I_{TH} input to the current comparator is gradually pulled down to a 0.95V clamp. This reduces peak inductor current to about one fifth of its maximum value.

Low Current Operation

The LTC1625 is capable of Burst Mode operation at low load currents. If the error amplifier drives the I_{TH} voltage below 0.95V, the buffered I_{TH} input to the current comparator will remain clamped at 0.95V. The inductor current peak is then held at approximately $30\text{mV}/R_{DS(ON)(TOP)}$. If I_{TH} then drops below 0.5V, the Burst Mode comparator B will turn off both MOSFETs. The load current will be supplied solely by the output capacitor until I_{TH} rises above the 50mV hysteresis of the comparator and switching is resumed. Burst Mode operation is disabled by comparator F when the FCB pin is brought below 1.19V. This forces continuous operation and can assist secondary winding regulation.

INTV_{CC}/EXTV_{CC} Power

Power for the top and bottom MOSFET drivers and most of the internal circuitry of the LTC1625 is derived from the $INTV_{CC}$ pin. When the $EXTV_{CC}$ pin is left open, an internal 5.2V low dropout regulator supplies the $INTV_{CC}$ power from V_{IN} . If $EXTV_{CC}$ is raised above 4.7V, the internal regulator is turned off and an internal switch connects $EXTV_{CC}$ to $INTV_{CC}$. This allows a high efficiency source, such as the primary or a secondary output of the converter itself, to provide the $INTV_{CC}$ power.

APPLICATIONS INFORMATION

The basic LTC1625 application circuit is shown in Figure 1. External component selection is primarily determined by the maximum load current and begins with the selection of the sense resistance and power MOSFETs. Because the LTC1625 uses MOSFET V_{DS} sensing, the sense resistance is the $R_{DS(ON)}$ of the MOSFETs. The operating frequency and the inductor are chosen based largely on the desired amount of ripple current. Finally, C_{IN} is selected for its ability to handle the large RMS current into the converter and C_{OUT} is chosen with low enough ESR to meet the output voltage ripple specification.

Power MOSFET Selection

The LTC1625 requires two external N-channel power MOSFETs, one for the top (main) switch and one for the bottom (synchronous) switch. Important parameters for the power MOSFETs are the breakdown voltage $V_{(BR)DSS}$, threshold voltage $V_{GS(TH)}$, on-resistance $R_{DS(ON)}$, reverse transfer capacitance C_{RSS} and maximum current $I_{D(MAX)}$.

The gate drive voltage is set by the 5.2V $INTV_{CC}$ supply. Consequently, logic level threshold MOSFETs must be used in LTC1625 applications. If low input voltage operation is expected ($V_{IN} < 5V$), then sub-logic level threshold MOSFETs should be used. Pay close attention to the $V_{(BR)DSS}$ specification for the MOSFETs as well; many of the logic level MOSFETs are limited to 30V or less.

The MOSFET on-resistance is chosen based on the required load current. The maximum average output current $I_{O(MAX)}$ is equal to the peak inductor current less half the peak-to-peak ripple current ΔI_L . The peak inductor current is inherently limited in a current mode controller by the current threshold I_{TH} range. The corresponding maximum V_{DS} sense voltage is about 150mV under normal conditions. The LTC1625 will not allow peak inductor current to exceed $150mV/R_{DS(ON)(TOP)}$. The following equation is a good guide for determining the required $R_{DS(ON)(MAX)}$ at 25°C (manufacturer's specification), allowing some margin for ripple current, current limit and variations in the LTC1625 and external component values:

$$R_{DS(ON)(MAX)} \cong \frac{120mV}{(I_{O(MAX)})(\rho_T)}$$

The ρ_T is a normalized term accounting for the significant variation in $R_{DS(ON)}$ with temperature, typically about 0.4%/°C as shown in Figure 2. Junction to case temperature T_{JC} is around 10°C in most applications. For a maximum ambient temperature of 70°C, using $\rho_{80^\circ C} \cong 1.3$ in the above equation is a reasonable choice. This equation is plotted in Figure 3 to illustrate the dependence of maximum output current on $R_{DS(ON)}$. Some popular MOSFETs from Siliconix are shown as data points.

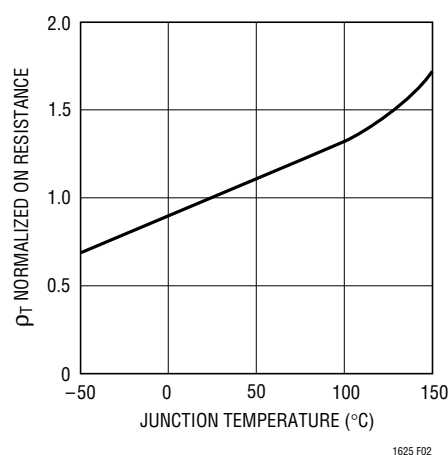


Figure 2. $R_{DS(ON)}$ vs Temperature

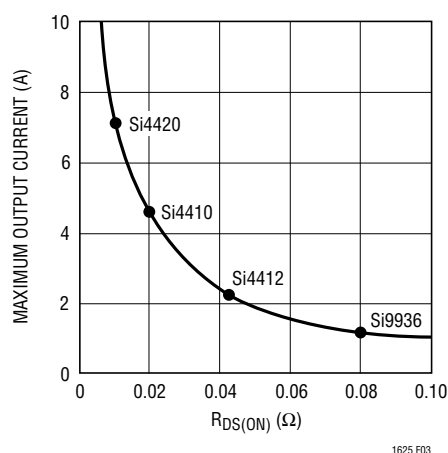


Figure 3. Maximum Output Current vs $R_{DS(ON)}$ at $V_{GS} = 4.5V$

The power dissipated by the top and bottom MOSFETs strongly depends upon their respective duty cycles and the load current. When the LTC1625 is operating in continuous mode, the duty cycles for the MOSFETs are:

APPLICATIONS INFORMATION

$$\text{Top Duty Cycle} = \frac{V_{\text{OUT}}}{V_{\text{IN}}}$$

$$\text{Bottom Duty Cycle} = \frac{V_{\text{IN}} - V_{\text{OUT}}}{V_{\text{IN}}}$$

The MOSFET power dissipations at maximum output current are:

$$P_{\text{TOP}} = \left(\frac{V_{\text{OUT}}}{V_{\text{IN}}} \right) (I_{\text{O(MAX)}})^2 (\rho_{\text{T(TOP)}}) (R_{\text{DS(ON)}}) + (k)(V_{\text{IN}})^2 (I_{\text{O(MAX)}})(C_{\text{RSS}})(f)$$

$$P_{\text{BOT}} = \left(\frac{V_{\text{IN}} - V_{\text{OUT}}}{V_{\text{IN}}} \right) (I_{\text{O(MAX)}})^2 (\rho_{\text{T(BOT)}}) (R_{\text{DS(ON)}})$$

Both MOSFETs have I^2R losses and the P_{TOP} equation includes an additional term for transition losses, which are largest at high input voltages. The constant $k = 1.7$ can be used to estimate the amount of transition loss. The bottom MOSFET losses are greatest at high input voltage or during a short circuit when the duty cycle is nearly 100%.

Operating Frequency and Synchronization

The choice of operating frequency and inductor value is a trade-off between efficiency and component size. Low frequency operation improves efficiency by reducing MOSFET switching losses, both gate charge loss and transition loss. However, lower frequency operation requires more inductance for a given amount of ripple current.

The internal oscillator runs at a nominal 150kHz frequency when the SYNC pin is left open or connected to ground. Pulling the SYNC pin above 1.2V will increase the frequency by 50%. The oscillator will injection lock to a clock signal applied to the SYNC pin with a frequency between 165kHz and 200kHz. The clock high level must exceed 1.2V for at least 1 μ s and no longer than 4 μ s as shown in Figure 4. The top MOSFET turn-on will synchronize with the rising edge of the clock.

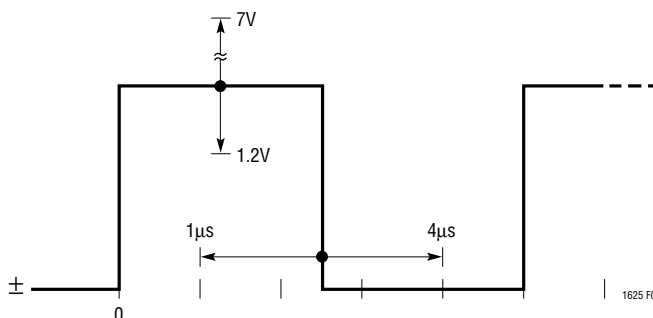


Figure 4. SYNC Clock Waveform

Inductor Value Selection

Given the desired input and output voltages, the inductor value and operating frequency directly determine the ripple current:

$$\Delta I_L = \left(\frac{V_{\text{OUT}}}{(f)(L)} \right) \left(1 - \frac{V_{\text{OUT}}}{V_{\text{IN}}} \right)$$

Lower ripple current reduces core losses in the inductor, ESR losses in the output capacitors and output voltage ripple. Thus, highest efficiency operation is obtained at low frequency with small ripple current. To achieve this, however, requires a large inductor.

A reasonable starting point is to choose a ripple current that is about 40% of $I_{\text{O(MAX)}}$. Note that the largest ripple current occurs at the highest V_{IN} . To guarantee that ripple current does not exceed a specified maximum, the inductor should be chosen according to:

$$L \geq \left(\frac{V_{\text{OUT}}}{(f)(\Delta I_{\text{L(MAX)}})} \right) \left(1 - \frac{V_{\text{OUT}}}{V_{\text{IN(MAX)}}} \right)$$

Burst Mode Operation Considerations

The choice of $R_{\text{DS(ON)}}$ and inductor value also determines the load current at which the LTC1625 enters Burst Mode operation. When bursting, the controller clamps the peak inductor current to approximately:

$$I_{\text{BURST(PEAK)}} = \frac{30\text{mV}}{R_{\text{DS(ON)}}}$$

APPLICATIONS INFORMATION

The corresponding average current depends on the amount of ripple current. Lower inductor values (higher ΔI_L) will reduce the load current at which Burst Mode operation begins.

The output voltage ripple can increase during Burst Mode operation if ΔI_L is substantially less than I_{BURST} . This will primarily occur when the duty cycle is very close to unity (V_{IN} is close to V_{OUT}) or if very large value inductors are chosen. This is generally only a concern in applications with $V_{OUT} \geq 5V$. At high duty cycles, a skipped cycle causes the inductor current to quickly descend to zero. However, it takes multiple cycles to ramp the current back up to $I_{BURST(PEAK)}$. During this interval, the output capacitor must supply the load current and enough charge may be lost to cause significant droop in the output voltage. It is a good idea to keep ΔI_L comparable to $I_{BURST(PEAK)}$. Otherwise, one might need to increase the output capacitance in order to reduce the voltage ripple or else disable Burst Mode operation by forcing continuous operation with the FCB pin.

Fault Conditions: Current Limit and Output Shorts

The LTC1625 current comparator can accommodate a maximum sense voltage of 150mV. This voltage and the sense resistance determine the maximum allowed peak inductor current. The corresponding output current limit is:

$$I_{LIMIT} = \frac{150mV}{(R_{DS(ON)})(\rho_T)} - \frac{1}{2}\Delta I_L$$

The current limit value should be checked to ensure that $I_{LIMIT(MIN)} > I_{O(MAX)}$. The minimum value of current limit generally occurs with the largest V_{IN} at the highest ambient temperature, conditions which cause the highest power dissipation in the top MOSFET. Note that it is important to check for self-consistency between the assumed junction temperature of the top MOSFET and the resulting value of I_{LIMIT} which heats the junction.

Caution should be used when setting the current limit based upon $R_{DS(ON)}$ of the MOSFETs. The maximum current limit is determined by the minimum MOSFET on-resistance. Data sheets typically specify nominal and

maximum values for $R_{DS(ON)}$, but not a minimum. A reasonable, but perhaps overly conservative, assumption is that the minimum $R_{DS(ON)}$ lies the same amount below the typical value as the maximum $R_{DS(ON)}$ lies above it. Consult the MOSFET manufacturer for further guidelines.

The LTC1625 includes current foldback to help further limit load current when the output is shorted to ground. If the output falls by more than half, then the maximum sense voltage is progressively lowered from 150mV to 30mV. Under short-circuit conditions with very low duty cycle, the LTC1625 will begin skipping cycles in order to limit the short-circuit current. In this situation the bottom MOSFET $R_{DS(ON)}$ will control the inductor current trough rather than the top MOSFET controlling the inductor current peak. The short-circuit ripple current is determined by the minimum on-time $t_{ON(MIN)}$ of the LTC1625 (approximately 0.5 μ s), the input voltage, and inductor value:

$$\Delta I_{L(SC)} = t_{ON(MIN)} V_{IN}/L.$$

The resulting short-circuit current is:

$$I_{SC} = \frac{30mV}{(R_{DS(ON)(BOT)})(\rho_T)} + \frac{1}{2}\Delta I_{L(SC)}$$

Normally, the top and bottom MOSFETs will be of the same type. A bottom MOSFET with lower $R_{DS(ON)}$ than the top may be chosen if the resulting increase in short-circuit current is tolerable. However, the bottom MOSFET should never be chosen to have a higher nominal $R_{DS(ON)}$ than the top MOSFET.

Inductor Core Selection

Once the value for L is known, the type of inductor must be selected. High efficiency converters generally cannot afford the core loss found in low cost powdered iron cores, forcing the use of more expensive ferrite, molypermalloy or Kool Mu[®] cores. Actual core loss is independent of core size for a fixed inductor value, but it is very dependent on the inductance selected. As inductance increases, core losses go down. Unfortunately, increased inductance requires more turns of wire and therefore copper losses will increase.

Kool Mu is a registered trademark of Magnetics, Inc.

APPLICATIONS INFORMATION

Ferrite designs have very low core loss and are preferred at high switching frequencies, so design goals can concentrate on copper loss and preventing saturation. Ferrite core material saturates “hard,” which means that inductance collapses rapidly when the peak design current is exceeded. This results in an abrupt increase in inductor ripple current and consequent output voltage ripple. Do not allow the core to saturate!

Molypermalloy (from Magnetics, Inc.) is a very good, low loss core material for toroids, but it is more expensive than ferrite. A reasonable compromise from the same manufacturer is Kool M μ . Toroids are very space efficient, especially when you can use several layers of wire. Because they generally lack a bobbin, mounting is more difficult. However, designs for surface mount are available which do not increase the height significantly.

Schottky Diode Selection

The Schottky diode D1 shown in Figure 1 conducts during the dead time between the conduction of the power MOSFETs. This prevents the body diode of the bottom MOSFET from turning on and storing charge during the dead time, which could cost as much as 1% in efficiency. A 1A Schottky diode is generally a good size for 3A to 5A regulators. The diode may be omitted if the efficiency loss can be tolerated.

C_{IN} and C_{OUT} Selection

In continuous mode, the drain current of the top MOSFET is approximately a square wave of duty cycle V_{OUT}/V_{IN} . To prevent large input voltage transients, a low ESR input capacitor sized for the maximum RMS current must be used. The maximum RMS current is given by:

$$I_{RMS} \cong I_{O(MAX)} \frac{V_{OUT}}{V_{IN}} \left(\frac{V_{IN}}{V_{OUT}} - 1 \right)^{1/2}$$

This formula has a maximum at $V_{IN} = 2V_{OUT}$, where $I_{RMS} = I_{O(MAX)}/2$. This simple worst-case condition is commonly used for design because even significant deviations do not offer much relief. Note that ripple current ratings from capacitor manufacturers are often based on only

2000 hours of life. This makes it advisable to further derate the capacitor or to choose a capacitor rated at a higher temperature than required. Several capacitors may also be placed in parallel to meet size or height requirements in the design.

The selection of C_{OUT} is primarily determined by the ESR required to minimize voltage ripple. The output ripple ΔV_{OUT} is approximately bounded by:

$$\Delta V_{OUT} \leq \Delta I_L \left(ESR + \frac{1}{(8)(f)(C_{OUT})} \right)$$

Since ΔI_L increases with input voltage, the output ripple is highest at maximum input voltage. Typically, once the ESR requirement is satisfied the capacitance is adequate for filtering and has the required RMS current rating.

Manufacturers such as Nichicon, United Chemicon and Sanyo should be considered for high performance through-hole capacitors. The OS-CON semiconductor dielectric capacitor available from Sanyo has the lowest product of ESR and size of any aluminum electrolytic at a somewhat higher price.

In surface mount applications, multiple capacitors may have to be placed in parallel to meet the ESR requirement. Aluminum electrolytic and dry tantalum capacitors are both available in surface mount packages. In the case of tantalum, it is critical that the capacitors have been surge tested for use in switching power supplies. An excellent choice is the AVX TPS series of surface mount tantalum, available in case heights ranging from 2mm to 4mm. Other capacitor types include Sanyo OS-CON, Nichicon PL series, and Sprague 593D and 595D series. Consult the manufacturer for other specific recommendations.

INTV_{CC} Regulator

An internal P-channel low dropout regulator produces the 5.2V supply which powers the drivers and internal circuitry within the LTC1625. The INTV_{CC} pin can supply up to 50mA and must be bypassed to ground with a minimum of 4.7 μ F tantalum or low ESR electrolytic capacitance. Good bypassing is necessary to supply the high transient currents required by the MOSFET gate drivers.

APPLICATIONS INFORMATION

High input voltage applications in which large MOSFETs are being driven at high frequencies may cause the LTC1625 to exceed its maximum junction temperature rating. Most of the supply current drives the MOSFET gates unless an external $EXTV_{CC}$ source is used. The junction temperature can be estimated from the equations given in Note 2 of the Electrical Characteristics. For example, the LTC1625CGN is limited to less than 14mA from a 30V supply:

$$T_J = 70^{\circ}\text{C} + (14\text{mA})(30\text{V})(130^{\circ}\text{C}/\text{W}) = 125^{\circ}\text{C}$$

To prevent the maximum junction temperature from being exceeded, the input supply current must be checked when operating in continuous mode at high V_{IN} .

$EXTV_{CC}$ Connection

The LTC1625 contains an internal P-channel MOSFET switch connected between the $EXTV_{CC}$ and $INTV_{CC}$ pins. Whenever the $EXTV_{CC}$ pin is above 4.7V the internal 5.2V regulator shuts off, the switch closes and $INTV_{CC}$ power is supplied via $EXTV_{CC}$ until $EXTV_{CC}$ drops below 4.5V. This allows the MOSFET gate drive and control power to be derived from the output or other external source during normal operation. When the output is out of regulation (start-up, short circuit) power is supplied from the internal regulator. Do not apply greater than 7V to the $EXTV_{CC}$ pin and ensure that $EXTV_{CC} \leq V_{IN}$.

Significant efficiency gains can be realized by powering $INTV_{CC}$ from the output, since the V_{IN} current supplying the driver and control currents will be scaled by a factor of Duty Cycle/Efficiency. For 5V regulators this simply means connecting the $EXTV_{CC}$ pin directly to V_{OUT} . However, for 3.3V and other lower voltage regulators, additional circuitry is required to derive $INTV_{CC}$ power from the output.

The following list summarizes the four possible connections for $EXTV_{CC}$:

1. $EXTV_{CC}$ left open (or grounded). This will cause $INTV_{CC}$ to be powered from the internal 5.2V regulator resulting in an efficiency penalty of up to 10% at high input voltages.
2. $EXTV_{CC}$ connected directly to V_{OUT} . This is the normal connection for a 5V regulator and provides the highest efficiency.
3. $EXTV_{CC}$ connected to an output-derived boost network. For 3.3V and other low voltage regulators, efficiency gains can still be realized by connecting $EXTV_{CC}$ to an output-derived voltage which has been boosted to greater than 4.7V. This can be done with either an inductive boost winding as shown in Figure 5a or a capacitive charge pump as shown in Figure 5b.
4. $EXTV_{CC}$ connected to an external supply. If an external supply is available in the 5V to 7V range ($EXTV_{CC} < V_{IN}$), it may be used to power $EXTV_{CC}$ providing it is compatible with the MOSFET gate drive requirements.

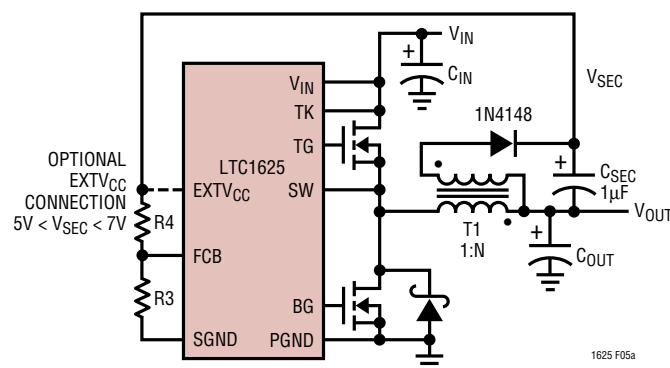


Figure 5a: Secondary Output Loop and $EXTV_{CC}$ Connection

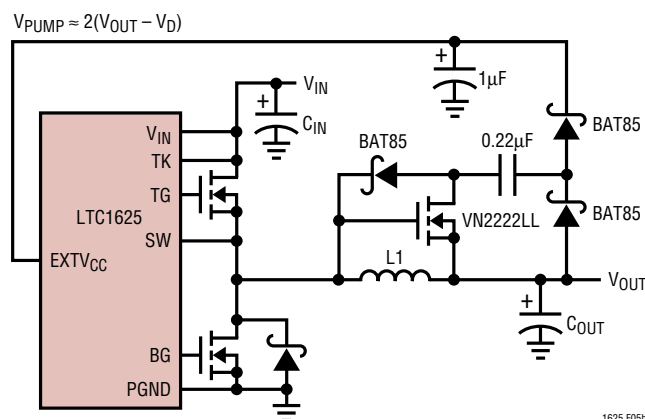


Figure 5b: Capacitive Charge Pump for $EXTV_{CC}$

APPLICATIONS INFORMATION

Note that $R_{DS(ON)}$ also varies with the gate drive level. If gate drives other than the 5.2V $INTV_{CC}$ are used, this must be accounted for when selecting the MOSFET $R_{DS(ON)}$. Particular care should be taken with applications where $EXTV_{CC}$ is connected to the output. When the output voltage is between 4.7V and 5.2V, $INTV_{CC}$ will be connected to the output and the gate drive is reduced. The resulting increase in $R_{DS(ON)}$ will also lower the current limit. Even applications with $V_{OUT} > 5.2V$ will traverse this region during start-up and must take into account the reduced current limit.

Topside MOSFET Driver Supply (C_B , D_B)

An external bootstrap capacitor (C_B in the functional diagram) connected to the BOOST pin supplies the gate drive voltage for the topside MOSFET. This capacitor is charged through diode D_B from $INTV_{CC}$ when the SW node is low. Note that the voltage across C_B is about a diode drop below $INTV_{CC}$. When the top MOSFET turns on, the switch node voltage rises to V_{IN} and the BOOST pin rises to approximately $V_{IN} + INTV_{CC}$. During dropout operation, C_B supplies the top driver for as long as ten cycles between refreshes. Thus, the boost capacitance needs to store about 100 times the gate charge required by the top MOSFET. In many applications 0.22 μ F is adequate.

When adjusting the gate drive level, the final arbiter is the total input current for the regulator. If you make a change and the input current decreases, then you improved the efficiency. If there is no change in input current, then there is no change in efficiency.

Output Voltage Programming

The LTC1625 has a pin selectable output voltage determined by the V_{PROG} pin as follows:

$V_{PROG} = 0V$	$V_{OUT} = 3.3V$
$V_{PROG} = INTV_{CC}$	$V_{OUT} = 5V$
$V_{PROG} = Open$	$V_{OUT} = Adjustable$

Remote sensing of the output voltage is provided by the V_{OSENSE} pin. For fixed 3.3V and 5V output applications an internal resistive divider is used and the V_{OSENSE} pin is connected directly to the output voltage as shown in Figure 6a. When using an external resistive divider, the

V_{PROG} pin is left open and the V_{OSENSE} pin is connected to feedback resistors as shown in Figure 6b. The output voltage is set by the divider as:

$$V_{OUT} = 1.19V \left(1 + \frac{R2}{R1} \right)$$

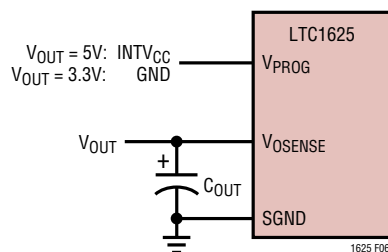


Figure 6a. Fixed 3.3V or 5V V_{OUT}

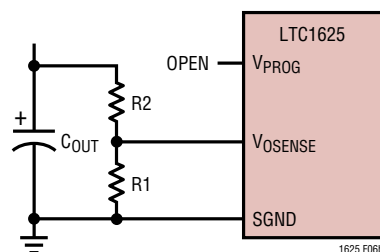


Figure 6b. Adjustable V_{OUT}

Run/Soft Start Function

The RUN/SS pin is a dual purpose pin that provides a soft start function and a means to shut down the LTC1625. Soft start reduces surge currents from V_{IN} by gradually increasing the controller's current limit $I_{TH(MAX)}$. This pin can also be used for power supply sequencing.

Pulling the RUN/SS pin below 1.4V puts the LTC1625 into a low quiescent current shutdown ($I_Q < 30\mu A$). This pin can be driven directly from logic as shown in Figure 7. Releasing the RUN/SS pin allows an internal 3 μ A current source to charge up the external capacitor C_{SS} . If RUN/SS has been pulled all the way to ground there is a delay before starting of approximately:

APPLICATIONS INFORMATION

$$t_{\text{DELAY}} = \left(\frac{1.4\text{V}}{3\mu\text{A}} \right) C_{\text{SS}} = (0.5\text{s}/\mu\text{F}) C_{\text{SS}}$$

When the voltage on RUN/SS reaches 1.4V the LTC1625 begins operating with a clamp on I_{TH} at 0.8V. As the voltage on RUN/SS increases to approximately 3.1V, the clamp on I_{TH} is raised until its full 2.4V range is restored. This takes an additional $0.5\text{s}/\mu\text{F}$. During this time the load current will be folded back to approximately $30\text{mV}/R_{\text{DS(ON)}}$ until the output reaches half of its final value.

Diode D1 in Figure 7 reduces the start delay while allowing C_{SS} to charge up slowly for the soft start function. This diode and C_{SS} can be deleted if soft start is not needed. The RUN/SS pin has an internal 6V zener clamp (See Functional Diagram).

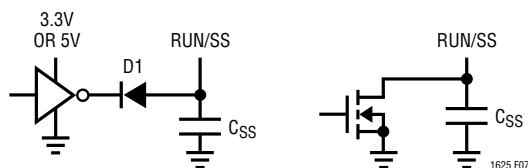


Figure 7. RUN/SS Pin Interfacing

FCB Pin Operation

When the FCB pin drops below its 1.19V threshold, continuous synchronous operation is forced. In this case, the top and bottom MOSFETs continue to be driven regardless of the load on the main output. Burst Mode operation is disabled and current reversal is allowed in the inductor.

In addition to providing a logic input to force continuous operation, the FCB pin provides a means to regulate a flyback winding output. It can force continuous synchronous operation when needed by the flyback winding, regardless of the primary output load.

The secondary output voltage V_{SEC} is normally set as shown in Figure 5a by the turns ratio N of the transformer:

$$V_{\text{SEC}} \cong (N + 1)V_{\text{OUT}}$$

However, if the controller goes into Burst Mode operation and halts switching due to a light primary load current,

then V_{SEC} will droop. An external resistor divider from V_{SEC} to the FCB pin sets a minimum voltage $V_{\text{SEC(MIN)}}$:

$$V_{\text{SEC(MIN)}} \cong 1.19\text{V} \left(1 + \frac{R4}{R3} \right)$$

If V_{SEC} drops below this level, the FCB voltage forces continuous operation until V_{SEC} is again above its minimum.

Minimum On-Time Considerations

Minimum on-time $t_{\text{ON(MIN)}}$ is the smallest amount of time that the LTC1625 is capable of turning the top MOSFET on and off again. It is determined by internal timing delays and the amount of gate charge required to turn on the top MOSFET. Low duty cycle applications may approach this minimum on-time limit and care should be taken to ensure that:

$$t_{\text{ON(MIN)}} < \frac{V_{\text{OUT}}}{(V_{\text{IN}})(f)}$$

If the duty cycle falls below what can be accommodated by the minimum on-time, the LTC1625 will begin to skip cycles. The output voltage will continue to be regulated, but the ripple current and ripple voltage will increase.

The minimum on-time for the LTC1625 is generally about $0.5\mu\text{s}$. However, as the peak sense voltage ($I_{\text{L(PEAK)}} \cdot R_{\text{DS(ON)}}$) decreases, the minimum on-time gradually increases up to about $0.7\mu\text{s}$. This is of particular concern in forced continuous applications with low ripple current at light loads. If the duty cycle drops below the minimum on-time limit in this situation, a significant amount of cycle skipping can occur with correspondingly larger current and voltage ripple.

Efficiency Considerations

The efficiency of a switching regulator is equal to the output power divided by the input power ($\times 100\%$). Percent efficiency can be expressed as:

$$\% \text{Efficiency} = 100\% - (L1 + L2 + L3 + \dots)$$

APPLICATIONS INFORMATION

where L1, L2, etc. are the individual losses as a percentage of input power. It is often useful to analyze individual losses to determine what is limiting the efficiency and which change would produce the most improvement. Although all dissipative elements in the circuit produce losses, four main sources usually account for most of the losses in LTC1625 circuits:

1. $INTV_{CC}$ current. This is the sum of the MOSFET driver and control currents. The driver current results from switching the gate capacitance of the power MOSFETs. Each time a MOSFET gate is switched on and then off, a packet of gate charge Q_g moves from $INTV_{CC}$ to ground. The resulting current out of $INTV_{CC}$ is typically much larger than the control circuit current. In continuous mode, $I_{GATECHG} = f(Q_{g(TOP)} + Q_{g(BOT)})$.

By powering $EXTV_{CC}$ from an output-derived source, the additional V_{IN} current resulting from the driver and control currents will be scaled by a factor of Duty Cycle/Efficiency. For example, in a 20V to 5V application at 400mA load, 10mA of $INTV_{CC}$ current results in approximately 3mA of V_{IN} current. This reduces the loss from 10% (if the driver was powered directly from V_{IN}) to about 3%.

2. DC I^2R Losses. Since there is no separate sense resistor, DC I^2R losses arise only from the resistances of the MOSFETs and inductor. In continuous mode the average output current flows through L, but is “chopped” between the top MOSFET and the bottom MOSFET. If the two MOSFETs have approximately the same $R_{DS(ON)}$, then the resistance of one MOSFET can simply be summed with the resistance of L to obtain the DC I^2R loss. For example, if each $R_{DS(ON)} = 0.05\Omega$ and $R_L = 0.15\Omega$, then the total resistance is 0.2Ω . This results in losses ranging from 2% to 8% as the output current increases from 0.5A to 2A for a 5V output. I^2R losses cause the efficiency to drop at high output currents.
3. Transition losses apply only to the topline MOSFET, and only when operating at high input voltages (typically 20V or greater). Transition losses can be estimated from:

$$\text{Transition Loss} = (1.7)(V_{IN}^2)(I_{O(MAX)})(C_{RSS})(f)$$

4. LTC1625 V_{IN} supply current. The V_{IN} current is the DC supply current to the controller excluding MOSFET gate drive current. Total supply current is typically about 850 μ A. If $EXTV_{CC}$ is connected to 5V, the LTC1625 will draw only 330 μ A from V_{IN} and the remaining 520 μ A will come from $EXTV_{CC}$. V_{IN} current results in a small (<1%) loss which increases with V_{IN} .

Other losses including C_{IN} and C_{OUT} ESR dissipative losses, Schottky conduction losses during dead time and inductor core losses, generally account for less than 2% total additional loss.

Checking Transient Response

The regulator loop response can be checked by looking at the load transient response. Switching regulators take several cycles to respond to a step in DC (resistive) load current. When a load step occurs, V_{OUT} immediately shifts by an amount equal to $(\Delta I_{LOAD})(ESR)$, where ESR is the effective series resistance of C_{OUT} , and C_{OUT} begins to charge or discharge. The regulator loop acts on the resulting feedback error signal to return V_{OUT} to its steady-state value. During this recovery time V_{OUT} can be monitored for overshoot or ringing which would indicate a stability problem. The I_{TH} pin external components shown in Figure 1 will provide adequate compensation for most applications.

A second, more severe transient is caused by connecting loads with large ($> 1\mu$ F) supply bypass capacitors. The discharged bypass capacitors are effectively put in parallel with C_{OUT} , causing a rapid drop in V_{OUT} . No regulator can deliver enough current to prevent this problem if the load switch resistance is low and it is driven quickly. The only solution is to limit the rise time of the switch drive in order to limit the inrush current to the load.

Automotive Considerations: Plugging into the Cigarette Lighter

As battery-powered devices go mobile, there is a natural interest in plugging into the cigarette lighter in order to conserve or even recharge battery packs during operation. But before you connect, be advised: you are plugging into the supply from hell. The main battery line in an

APPLICATIONS INFORMATION

automobile is the source of a number of nasty potential transients, including load dump, reverse and double battery.

Load dump is the result of a loose battery cable. When the cable breaks connection, the field collapse in the alternator can cause a positive spike as high as 60V which takes several hundred milliseconds to decay. Reverse battery is just what it says, while double battery is a consequence of tow truck operators finding that a 24V jump start cranks cold engines faster than 12V.

The network shown in Figure 8 is the most straightforward approach to protect a DC/DC converter from the ravages of an automotive battery line. The series diode prevents current from flowing during reverse battery, while the transient suppressor clamps the input voltage during load dump. Note that the transient suppressor should not conduct during double-battery operation, but must still clamp the input voltage below breakdown of the converter. Although the LTC1625 has a maximum input voltage of 36V, most applications will be limited to 30V by the MOSFET $V_{(BR)DSS}$.

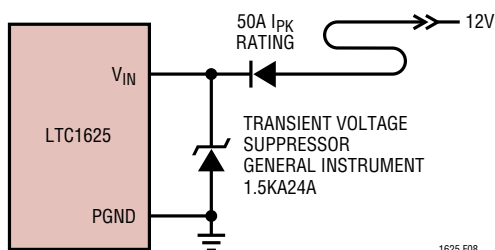


Figure 8. Automotive Application Protection

Design Example

As a design example, take a supply with the following specifications: $V_{IN} = 12V$ to $22V$ (15V nominal), $V_{OUT} = 3.3V$, $I_{O(MAX)} = 2A$, and $f = 225kHz$. The required $R_{DS(ON)}$ can immediately be estimated:

$$R_{DS(ON)} = \frac{120mV}{(2A)(1.3)} = 0.046\Omega$$

A 0.042Ω Siliconix Si4412DY MOSFET ($\theta_{JA} = 50^\circ C/W$) is close to this value.

For 40% ripple current at maximum V_{IN} the inductor should be:

$$L \geq \frac{3.3V}{(225kHz)(0.4)(2A)} \left(1 - \frac{3.3V}{22V} \right) = 16\mu H$$

Choosing a standard value of $15\mu H$ results in a maximum ripple current of:

$$\Delta I_{L(MAX)} = \frac{3.3V}{(225kHz)(15\mu H)} \left(1 - \frac{3.3V}{22V} \right) = 0.83A$$

Next, check that the minimum value of the current limit is acceptable. Assume a junction temperature close to a $70^\circ C$ ambient with $\rho_{80^\circ C} = 1.3$.

$$I_{LIMIT} \geq \frac{150mV}{(0.042\Omega)(1.3)} - \left(\frac{1}{2} \right) 0.83A = 2.3A$$

This is comfortably above $I_{O(MAX)} = 2A$. Now double-check the assumed T_J :

$$P_{TOP} = \frac{3.3V}{22V} (2.3A)^2 (1.3)(0.042\Omega) + (1.7)(22)^2 (2.3A)(180pF)(225kHz) = 43mW + 77mW = 120mW$$

$$T_J = 70^\circ C + (120mW)(50^\circ C/W) = 76^\circ C$$

Since $\rho(76^\circ C) \cong \rho(80^\circ C)$, the solution is self-consistent.

A short circuit to ground will result in a folded back current of:

$$I_{SC} = \frac{30mV}{(0.03\Omega)(1.1)} + \left(\frac{1}{2} \right) \frac{(15V)(0.5\mu s)}{15\mu H} = 1.2A$$

with a typical value of $R_{DS(ON)}$ and $\rho(50^\circ C) = 1.1$. The resulting power dissipated in the bottom MOSFET is:

$$P_{BOT} = \frac{15V - 3.3V}{15V} (1.2A)^2 (1.1)(0.03\Omega) = 37mW$$

which is less than under full load conditions.

APPLICATIONS INFORMATION

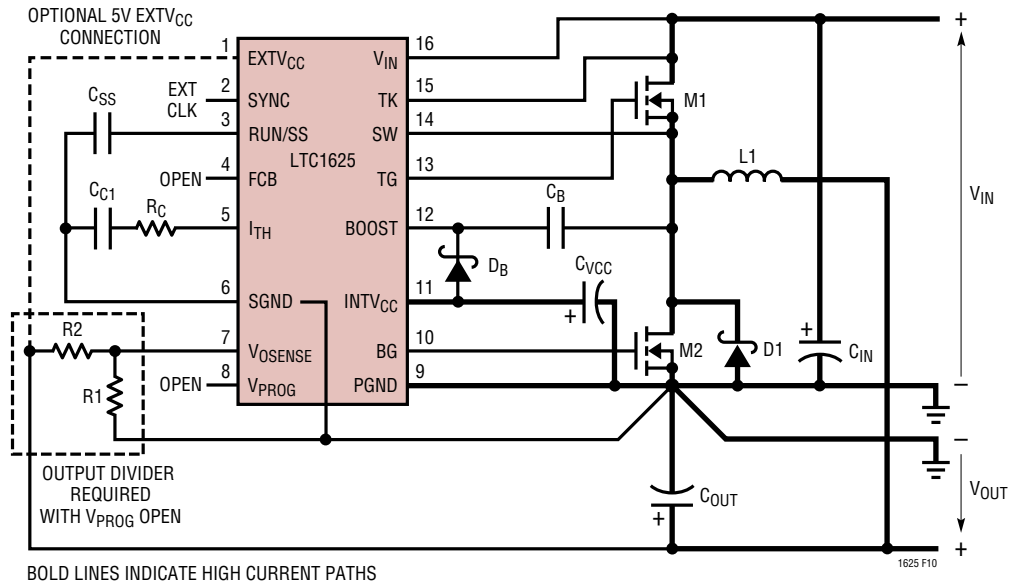
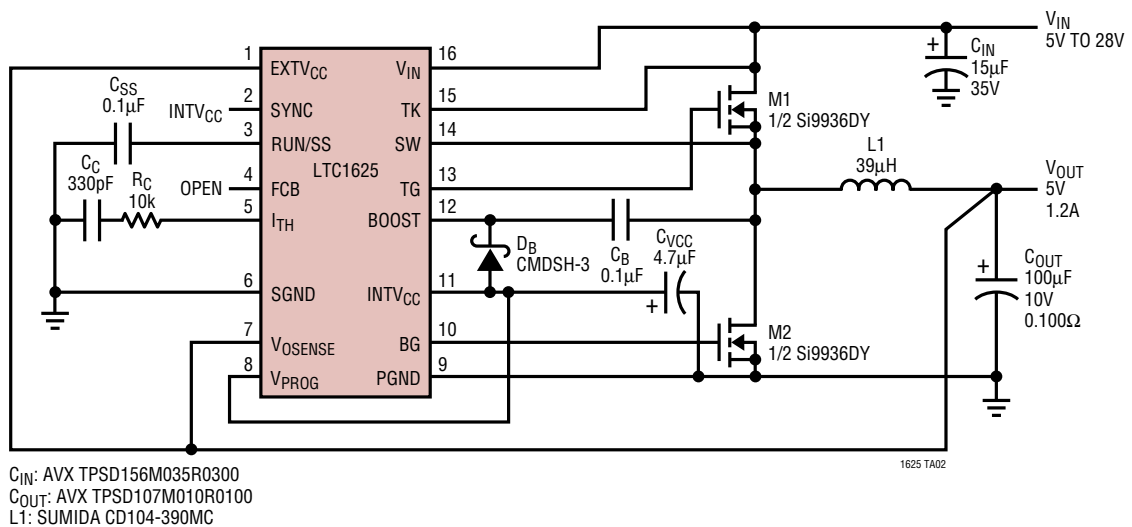


Figure 10. LTC1625 Layout Diagram

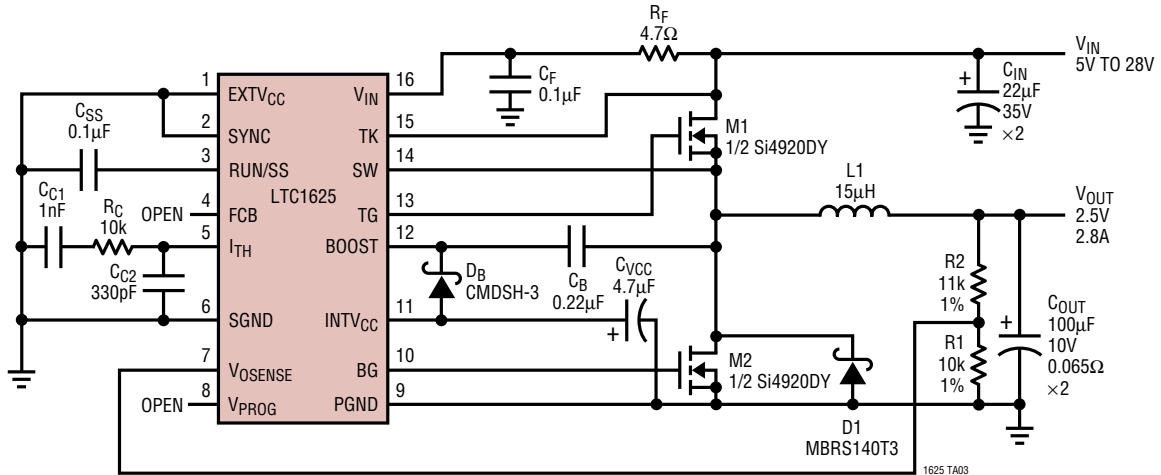
TYPICAL APPLICATIONS

5V/1.2A Fixed Output at 225kHz



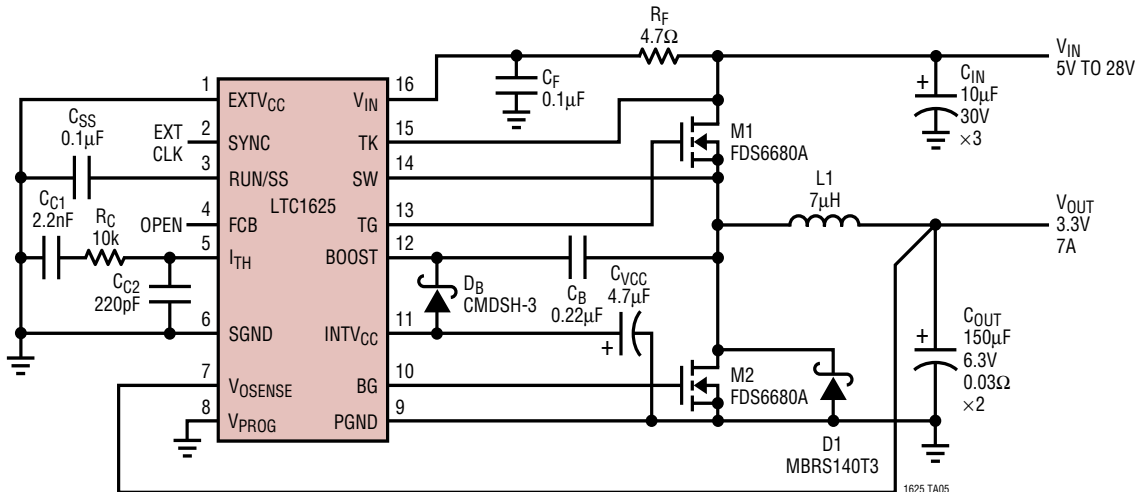
TYPICAL APPLICATIONS

2.5V/2.8A Adjustable Output



C_{IN}: AVX TPSE226M020R0300
 C_{OUT}: AVX TPSD107M010R0065
 L1: SUMIDA CDRH125-150MC

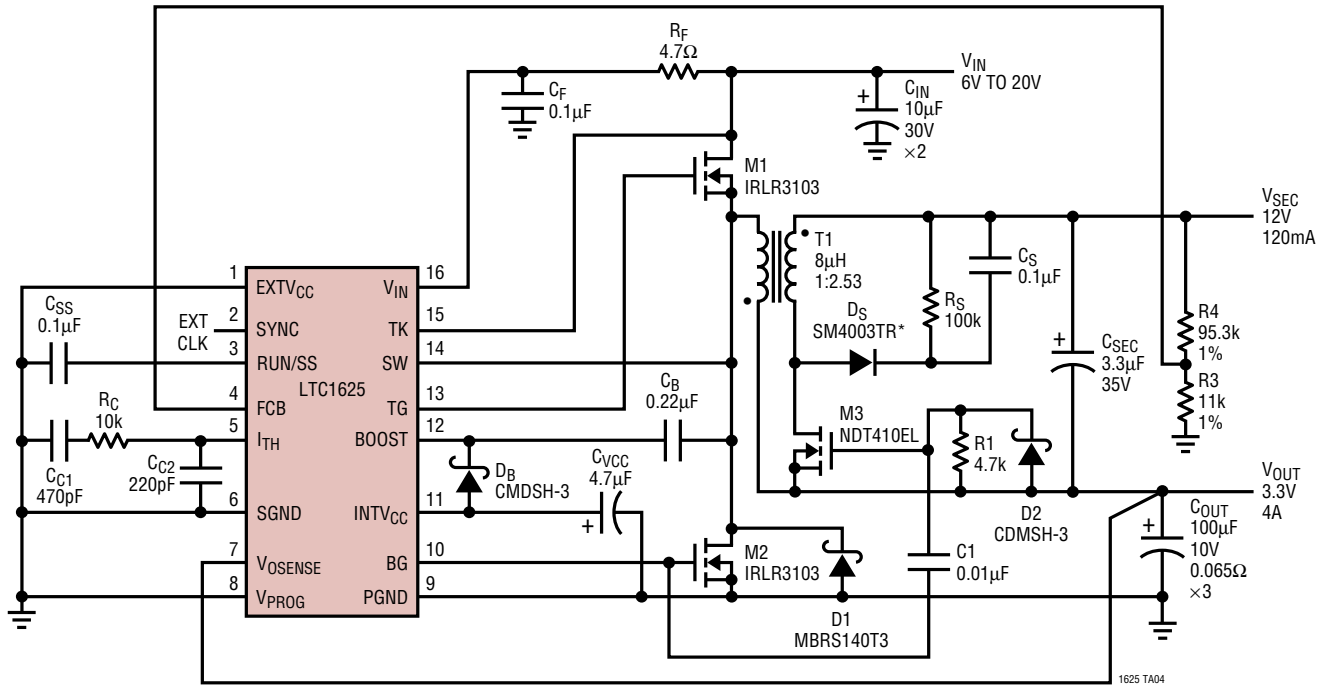
3.3V/7A Fixed Output



C_{IN}: SANYO 30SC10M
 C_{OUT}: SANYO 6SA150M

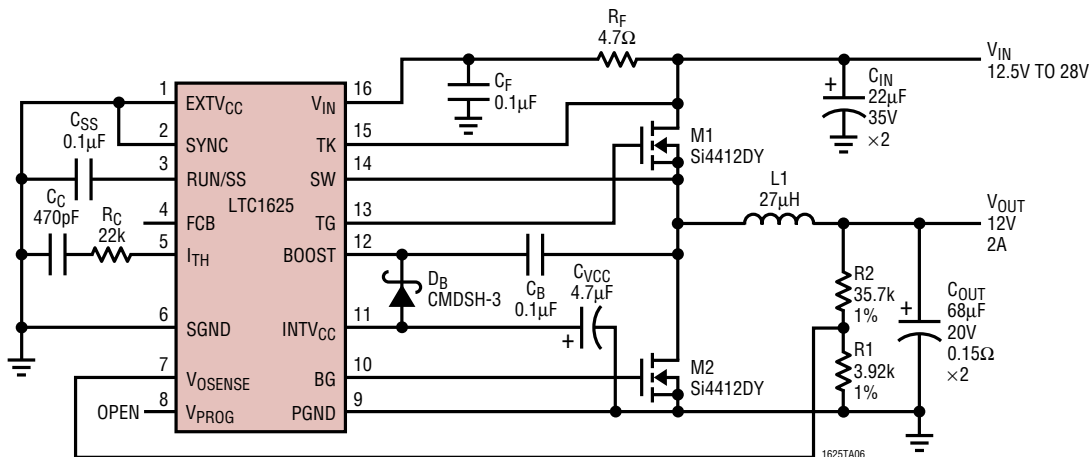
TYPICAL APPLICATIONS

3.3V/4A Fixed Output with 12V/120mA Auxiliary Output



C_{IN}: SANYO 30SC10M
 C_{OUT}: AVX TPSD107M010R0065
 C_{SEC}: AVX TAJB335M035R
 T1: BH ELECTRONICS 510-1079
 *YES! USE A STANDARD RECOVERY DIODE

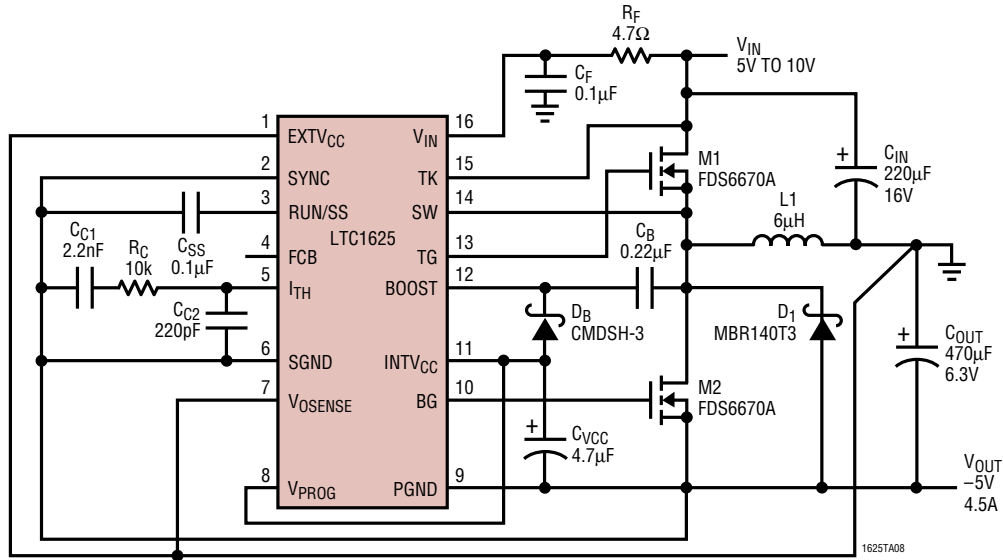
12V/2.2A Adjustable Output



C_{IN}: AVX TPSE226M020R0300
 C_{OUT}: AVX TPSE686M020R0150
 L1: SUMIDA CDRH127-270MC

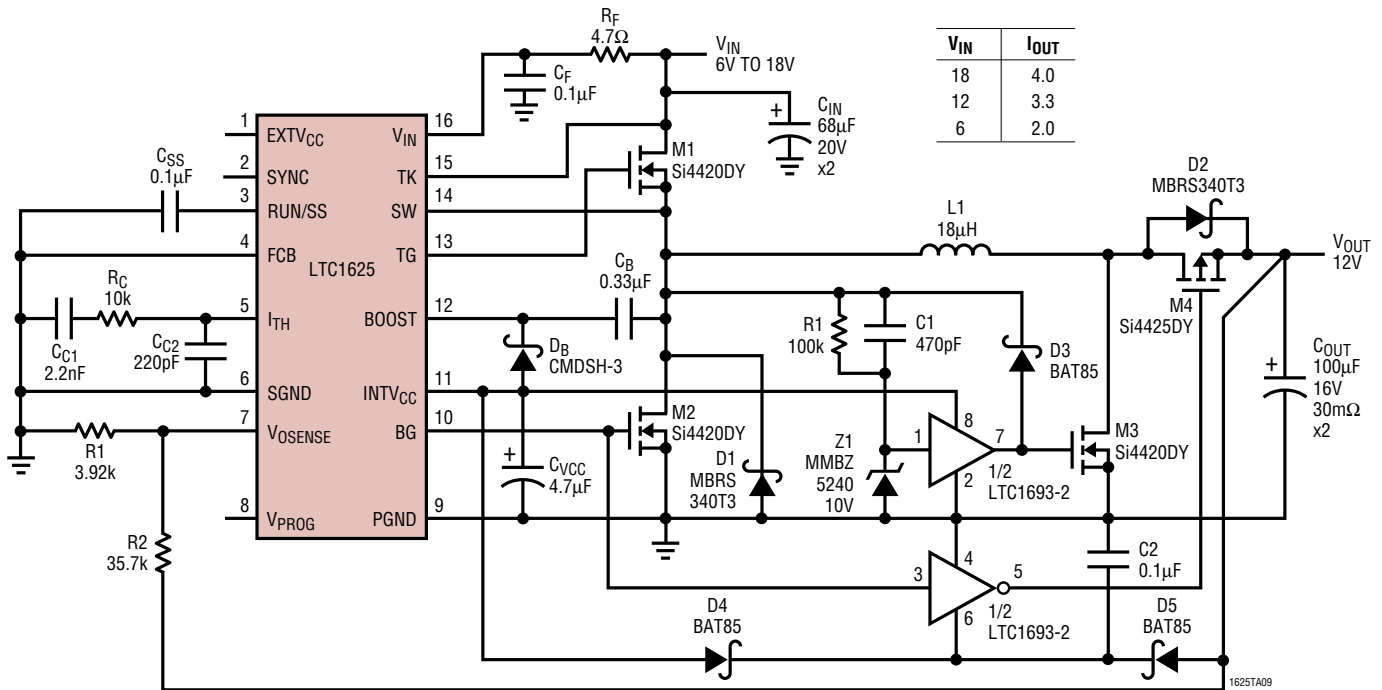
TYPICAL APPLICATIONS

-5V/4.5A Positive to Negative Converter



C_{IN} : SANYO 16SV220M
 C_{OUT} : SANYO 6SV470M
 $L1$: MAGNETICS Kool-M μ 77120-A7, 9 TURNS, 17 GAUGE

Single Inductor, Positive Output Buck Boost

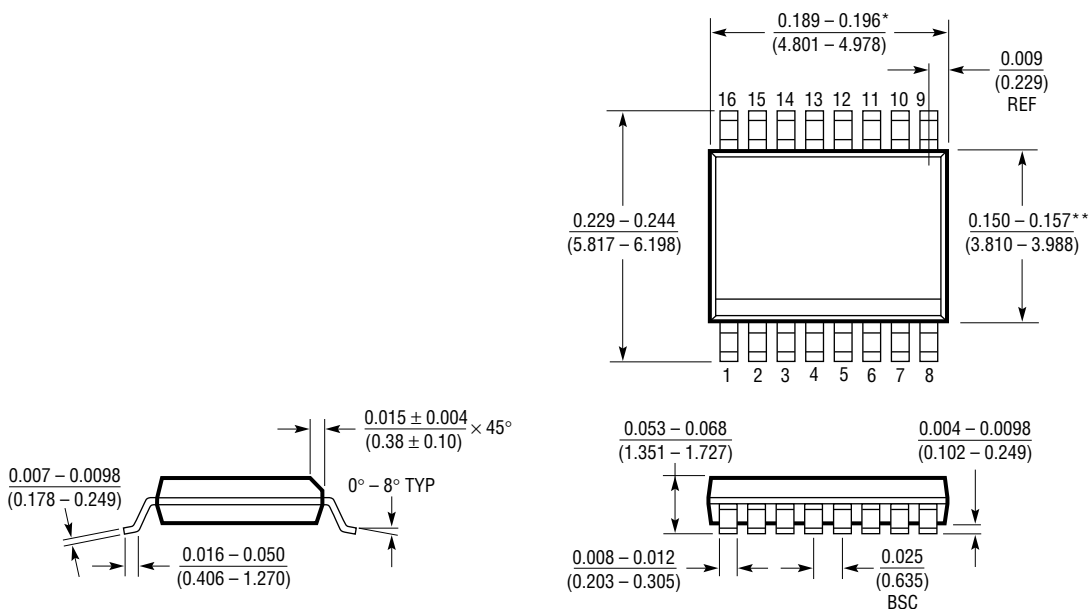


C_{IN} : SANYO 20S68M
 C_{OUT} : SANYO 16SA100M
 $L1$: 7A, 18 μ H Kool-M μ 77120-A7, 15 TURNS, 17 GAUGE

PACKAGE DESCRIPTION

Dimensions in inches (millimeters) unless otherwise noted.

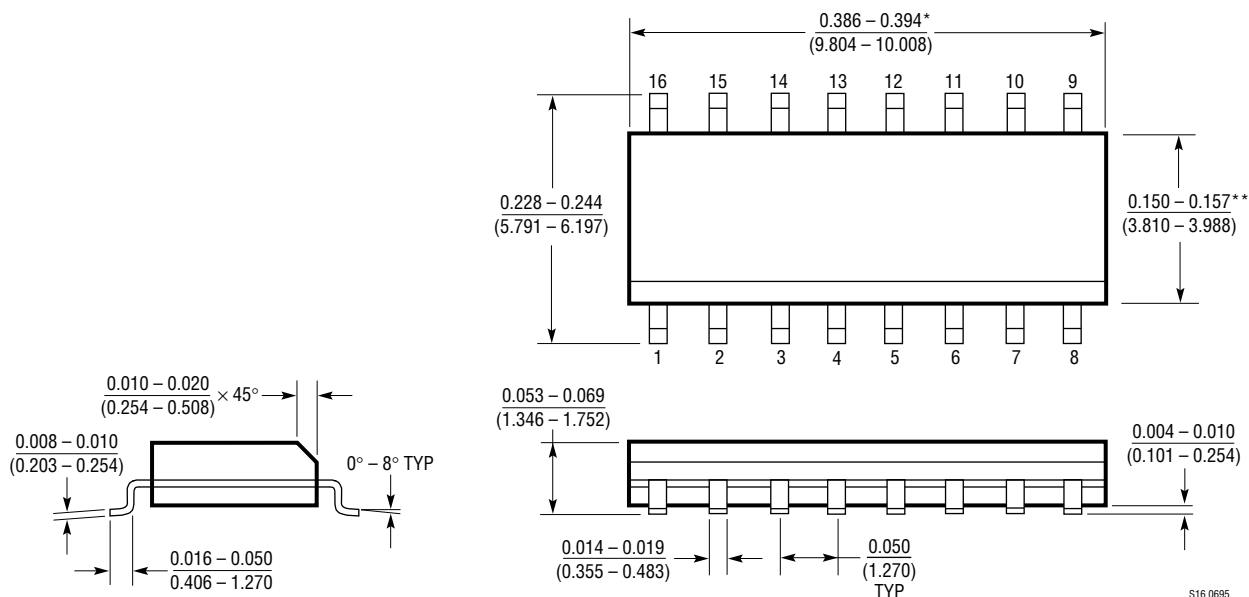
GN Package
16-Lead Plastic SSOP (Narrow 0.150)
 (LTC DWG # 05-08-1641)



* DIMENSION DOES NOT INCLUDE MOLD FLASH. MOLD FLASH SHALL NOT EXCEED 0.006" (0.152mm) PER SIDE
 ** DIMENSION DOES NOT INCLUDE INTERLEAD FLASH. INTERLEAD FLASH SHALL NOT EXCEED 0.010" (0.254mm) PER SIDE

GN16 (SSOP) 0398

S Package
16-Lead Plastic Small Outline (Narrow 0.150)
 (LTC DWG # 05-08-1610)

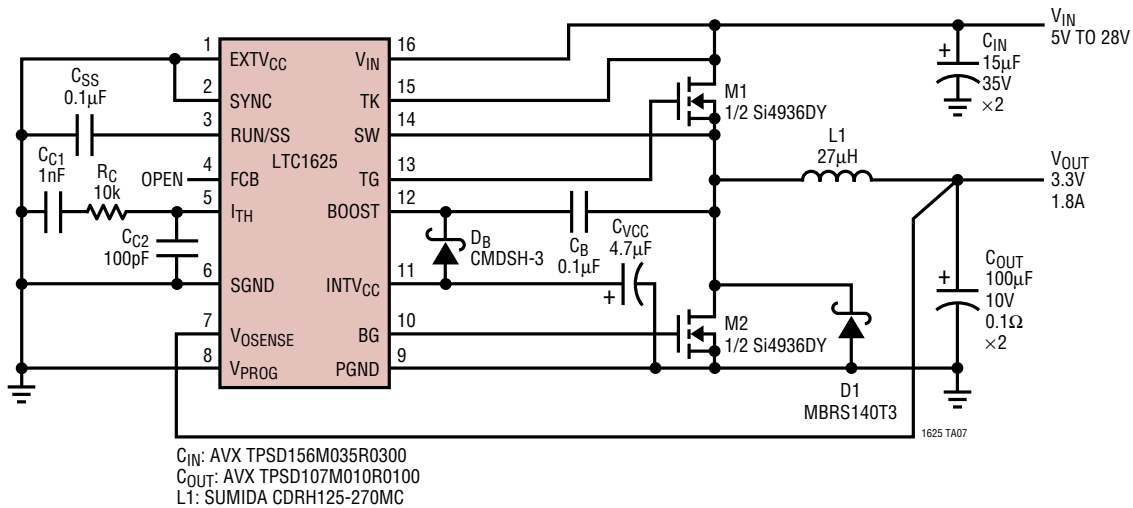


* DIMENSION DOES NOT INCLUDE MOLD FLASH. MOLD FLASH SHALL NOT EXCEED 0.006" (0.152mm) PER SIDE
 ** DIMENSION DOES NOT INCLUDE INTERLEAD FLASH. INTERLEAD FLASH SHALL NOT EXCEED 0.010" (0.254mm) PER SIDE

S16 0695

TYPICAL APPLICATION

3.3V/1.8A Fixed Output



RELATED PARTS

PART NUMBER	DESCRIPTION	COMMENTS
LTC1435A	High Efficiency Synchronous Step-Down Controller	Optimized for Low Duty Cycle Battery to CPU Power Applications
LTC1436A-PLL	High Efficiency Low Noise Synchronous Step-Down Controller	PLL Synchronization and Auxiliary Linear Regulator
LTC1438	Dual High Efficiency Step-Down Controller	Power-On Reset and Low-Battery Comparator
LTC1530	High Power Synchronous Step-Down Controller	SO-8 with Current Limit, No R_{SENSE} Saves Space, Fixed Frequency Ideal for 5V to 3.3V
LTC1538-AUX	Dual High Efficiency Step-Down Controller	5V Standby Output and Auxiliary Linear Regulator
LTC1649	3.3V Input High Power Step-Down Controller	2.7V to 5V Input, 90% Efficiency, Ideal for 3.3V to 1.xV – 2.xV Up to 20A

Looking for pricing, stock, or lifecycle information?

Click below to explore more details on WIN SOURCE:

 [View LTC1625IS#TRPBF on WIN SOURCE](#)

 [Linear Technology](#) Information

Optimize Your Supply Chain with WIN SOURCE Solutions

-  Global Sourcing Solution
-  Obsolete Management
-  Cost Control Management
-  Shortage Management
-  Alternative Solution
-  Excess Inventory Management