



**THE DATASHEET OF
MAX1556ETB+T**



16 μ A IQ, 1.2A PWM Step-Down DC-DC Converters

General Description

The MAX1556/MAX1556A/MAX1557 are low-operating-current (16 μ A), fixed-frequency step-down regulators. High efficiency, low-quiescent operating current, low dropout, and minimal (27 μ A) quiescent current in dropout make these converters ideal for powering portable devices from 1-cell Li-ion or 3-cell alkaline/NiMH batteries. The MAX1556 delivers up to 1.2A; has pin-selectable 1.8V, 2.5V, and 3.3V outputs; and is also adjustable. The MAX1557 delivers up to 600mA; has pin-selectable 1V, 1.3V, and 1.5V outputs; and is also adjustable.

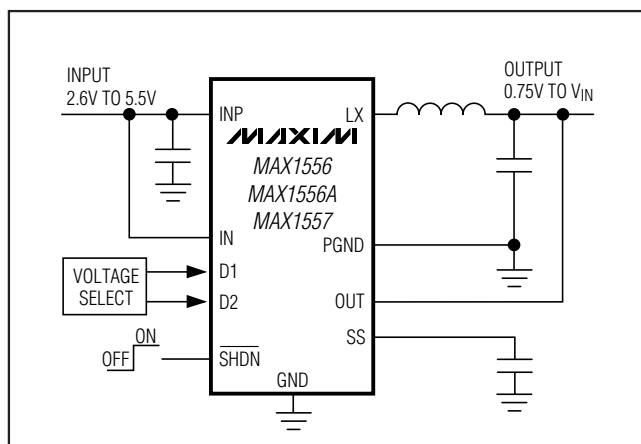
The MAX1556/MAX1556A/MAX1557 contain a low-on-resistance internal MOSFET switch and synchronous rectifier to maximize efficiency and dropout performance while minimizing external component count. A proprietary topology offers the benefits of a high fixed-frequency operation while still providing excellent efficiency at both light and full loads. A 1MHz PWM switching frequency keeps components small. Both devices also feature an adjustable soft-start to minimize battery transient loading.

The MAX1556/MAX1556A/MAX1557 are available in a tiny 10-pin TDFN (3mm x 3mm) package.

Applications

PDA's and Palmtop Computers
Cell Phones and Smart Phones
Digital Cameras and Camcorders
Portable MP3 and DVD Players
Hand-Held Instruments

Typical Operating Circuit



Features

- ◆ Up to 97% Efficiency
- ◆ 95% Efficiency at 1mA Load Current
- ◆ Low 16 μ A Quiescent Current
- ◆ 1MHz PWM Switching
- ◆ Tiny 3.3 μ H Inductor
- ◆ Selectable 3.3V, 2.5V, 1.8V, 1.5V, 1.3V, 1.2V, 1.0V, and Adjustable Output
- ◆ 1.2A Guaranteed Output Current (MAX1556/MAX1556A)
- ◆ Voltage Positioning Optimizes Load-Transient Response
- ◆ Low 27 μ A Quiescent Current in Dropout
- ◆ Low 0.1 μ A Shutdown Current
- ◆ No External Schottky Diode Required
- ◆ Analog Soft-Start with Zero Overshoot Current
- ◆ Small, 10-Pin, 3mm x 3mm TDFN Package

Ordering Information

| PART | TEMP RANGE | PIN-PACKAGE | TOP MARK |
|----------------|----------------|-------------|----------|
| MAX1556ETB+ | -40°C to +85°C | 10 TDFN-EP* | ACQ |
| MAX1556ETB/V+T | -40°C to +85°C | 10 TDFN-EP* | AWS |
| MAX1556AETB+ | -40°C to +85°C | 10 TDFN-EP* | AUJ |
| MAX1557ETB+ | -40°C to +85°C | 10 TDFN-EP* | ACR |

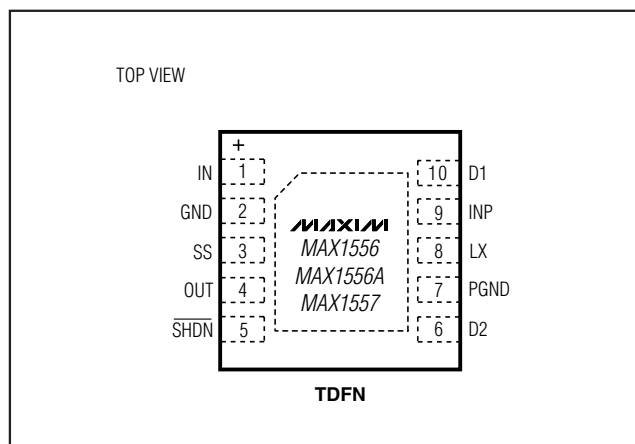
*EP = Exposed paddle.

+Denotes a lead(Pb)-free/RoHS-compliant package.

V denotes an automotive qualified part.

T = Tape and reel.

Pin Configuration



16 μ A IQ, 1.2A PWM DC-DC Step-Down Converters

ABSOLUTE MAXIMUM RATINGS

IN, INP, OUT, D2, $\overline{\text{SHDN}}$ to GND-0.3V to +6.0V
 SS, D1 to GND-0.3V to ($V_{\text{IN}} + 0.3\text{V}$)
 PGND to GND-0.3V to +0.3V
 LX Current (Note 1)..... $\pm 2.25\text{A}$
 Output Short-Circuit Duration.....Continuous
 Continuous Power Dissipation ($T_{\text{A}} = +70^{\circ}\text{C}$)
 10-Pin TDFN (derate 24.4mW/ $^{\circ}\text{C}$ above +70 $^{\circ}\text{C}$)1951mW

Operating Temperature Range-40 $^{\circ}\text{C}$ to +85 $^{\circ}\text{C}$
 Junction Temperature.....+150 $^{\circ}\text{C}$
 Storage Temperature Range-65 $^{\circ}\text{C}$ to +150 $^{\circ}\text{C}$
 Lead Temperature (soldering, 10s).....+300 $^{\circ}\text{C}$
 Soldering Temperature (reflow).....+260 $^{\circ}\text{C}$

Note 1: LX has internal clamp diodes to GND and IN. Applications that forward bias these diodes should take care not to exceed the IC's package power-dissipation limits.

Stresses beyond those listed under "Absolute Maximum Ratings" may cause permanent damage to the device. These are stress ratings only, and functional operation of the device at these or any other conditions beyond those indicated in the operational sections of the specifications is not implied. Exposure to absolute maximum rating conditions for extended periods may affect device reliability.

ELECTRICAL CHARACTERISTICS

($V_{\text{IN}} = V_{\text{INP}} = V_{\overline{\text{SHDN}}} = 3.6\text{V}$, $T_{\text{A}} = -40^{\circ}\text{C}$ to +85 $^{\circ}\text{C}$. Typical values are at $T_{\text{A}} = +25^{\circ}\text{C}$, unless otherwise noted.) (Note 2)

| PARAMETER | CONDITIONS | | MIN | TYP | MAX | UNITS |
|--------------------------------|---|--------------------------------------|-------|-------|-----------------|---------------|
| Input Voltage | | | 2.6 | | 5.5 | V |
| Undervoltage-Lockout Threshold | V_{IN} rising and falling, 35mV hysteresis (typ) | | 2.20 | 2.35 | 2.55 | V |
| Quiescent Supply Current | No switching, D1 = D2 = GND | | | 16 | 25 | μA |
| | Dropout | | | 27 | 42 | |
| Shutdown Supply Current | $\overline{\text{SHDN}} = \text{GND}$ | $T_{\text{A}} = +25^{\circ}\text{C}$ | | 0.1 | 1 | μA |
| | | $T_{\text{A}} = +85^{\circ}\text{C}$ | | 0.1 | | |
| Output Voltage Range | | | 0.75 | | V_{IN} | V |
| Output Accuracy | $T_{\text{A}} = 0^{\circ}\text{C}$ to +85 $^{\circ}\text{C}$ (Note 3) | No load | -0.25 | +0.75 | +1.75 | % |
| | | 300mA load | -0.75 | 0 | +0.75 | |
| | | 600mA load | -1.5 | -0.75 | 0 | |
| | | 1200mA load, MAX1556 | -2.75 | -2.25 | -1.25 | |
| | | 1200mA load, MAX1556A | | -2.25 | | |
| | $T_{\text{A}} = -40^{\circ}\text{C}$ to +85 $^{\circ}\text{C}$ (Note 3) | No load | -0.75 | | +2.25 | |
| | | 300mA load | -1.5 | | +1.5 | |
| | | 600mA load | -2.25 | | +0.50 | |
| | | 1200mA load, MAX1556 | -4.0 | | -1.0 | |
| | | | | | | |
| Maximum Output Current | MAX1556/MAX1556A | | 1200 | | | mA |
| | MAX1557 | | 600 | | | |
| OUT Bias Current | D1 = D2 = GND MAX1556/MAX1557 | $T_{\text{A}} = +25^{\circ}\text{C}$ | | 0.01 | 0.1 | μA |
| | | $T_{\text{A}} = +85^{\circ}\text{C}$ | | 0.01 | | |
| | For preset output voltages | | | 3 | 4.5 | |
| FB Threshold Accuracy | D1 = D2 = GND, $V_{\text{OUT}} = 0.75\text{V}$ at 300mA (typ), $T_{\text{A}} = 0^{\circ}\text{C}$ to +85 $^{\circ}\text{C}$ MAX1556/MAX1557 | No load | -0.50 | +0.75 | +1.75 | % |
| | | 300mA load | -1.2 | 0 | +1.2 | |
| | | 600mA load | -1.75 | -0.75 | +0.25 | |
| | | 1200mA load, MAX1556 only | -3.25 | -2.25 | -1.25 | |
| | | | | | | |
| | D1 = D2 = GND, $V_{\text{OUT}} = 0.75\text{V}$ at 300mA (typ), $T_{\text{A}} = -40^{\circ}\text{C}$ to +85 $^{\circ}\text{C}$ MAX1556/MAX1557 | No load | -1.25 | | +2.25 | |
| | | 300mA load | -1.75 | | +1.50 | |
| | | 600mA load | -2.75 | | +0.25 | |
| | | 1200mA load, MAX1556 only | -4.25 | | -1.00 | |
| | | | | | | |

16 μ A IQ, 1.2A PWM DC-DC Step-Down Converters

MAX1556/MAX1556A/MAX1557

ELECTRICAL CHARACTERISTICS (continued)

($V_{IN} = V_{INP} = \overline{V_{SHDN}} = 3.6V$, $T_A = -40^{\circ}C$ to $+85^{\circ}C$. Typical values are at $T_A = +25^{\circ}C$, unless otherwise noted.) (Note 2)

| PARAMETER | CONDITIONS | | MIN | TYP | MAX | UNITS |
|------------------------------------|--|---------------------------|-----|-------|------|------------------|
| Line Regulation | MAX1556, D1 = IN, D2 = GND; MAX1556A D1 = D2 = IN | $V_{IN} = 2.6V$ to $3.6V$ | | -0.37 | | % |
| | | $V_{IN} = 3.6V$ to $5.5V$ | | 0.33 | | |
| | MAX1557, D1 = IN, D2 = GND | $V_{IN} = 2.6V$ to $3.6V$ | | -0.1 | | |
| | | $V_{IN} = 3.6V$ to $5.5V$ | | 0.09 | | |
| p-Channel On-Resistance | MAX1556/MAX1556A | $V_{IN} = 3.6V$ | | 0.19 | 0.35 | Ω |
| | | $V_{IN} = 2.6V$ | | 0.23 | | |
| | MAX1557 | $V_{IN} = 3.6V$ | | 0.35 | 0.7 | |
| | | $V_{IN} = 2.6V$ | | 0.42 | | |
| n-Channel On-Resistance | $V_{IN} = 3.6V$ | | | 0.27 | 0.48 | Ω |
| | $V_{IN} = 2.6V$ | | | 0.33 | | |
| p-Channel Current-Limit Threshold | MAX1556/MAX1556A | | 1.5 | 1.8 | 2.1 | A |
| | MAX1557 | | 0.8 | 1.0 | 1.2 | |
| n-Channel Zero Crossing Threshold | | | 20 | 35 | 45 | mA |
| RMS LX Output Current | MAX1556/MAX1556A | | | | 1.8 | A _{RMS} |
| | MAX1557 | | | | 1.0 | |
| LX Leakage Current | $V_{IN} = 5.5V$, LX = GND or IN | $T_A = +25^{\circ}C$ | | 0.1 | 10 | μA |
| | | $T_A = +85^{\circ}C$ | | 0.1 | | |
| Maximum Duty Cycle | | | 100 | | | % |
| Minimum Duty Cycle | | | | | 0 | % |
| Internal Oscillator Frequency | | | 0.9 | 1 | 1.1 | MHz |
| SS Output Impedance | $\Delta V_{SS} / I_{SS}$ for $I_{SS} = 2\mu A$ | | 130 | 200 | 300 | k Ω |
| SS Discharge Resistance | $\overline{SHDN} = GND$, 1mA sink current | | | 90 | 200 | Ω |
| Thermal-Shutdown Threshold | | | | +160 | | $^{\circ}C$ |
| Thermal-Shutdown Hysteresis | | | | 15 | | $^{\circ}C$ |
| LOGIC INPUTS (D1, D2, SHDN) | | | | | | |
| Input-Voltage High | $2.6V \leq V_{IN} \leq 5.5V$ | | 1.4 | | | V |
| Input-Voltage Low | | | | | 0.4 | V |
| Input Leakage | $T_A = +25^{\circ}C$ | | | 0.1 | 1 | μA |
| | $T_A = +85^{\circ}C$ | | | 0.1 | | |

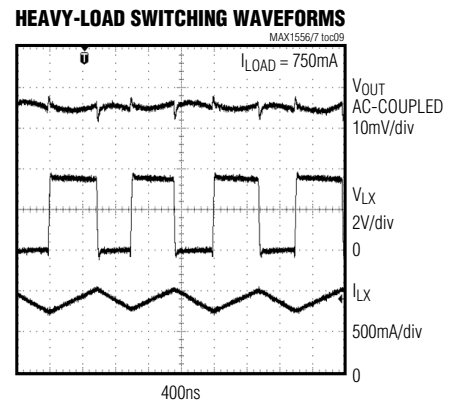
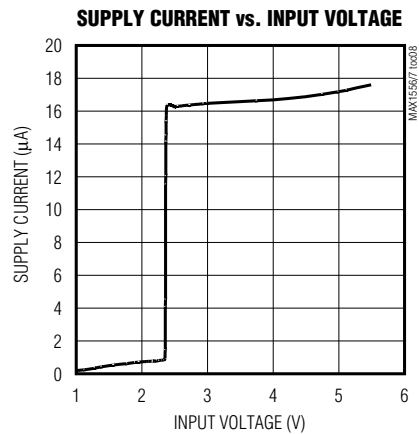
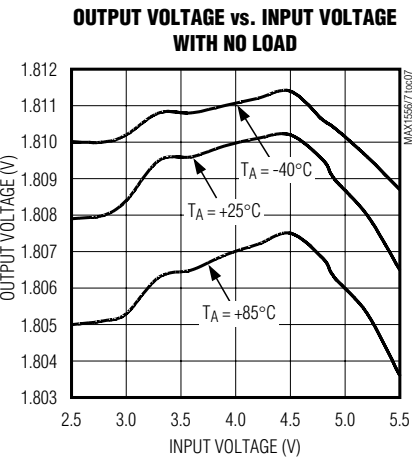
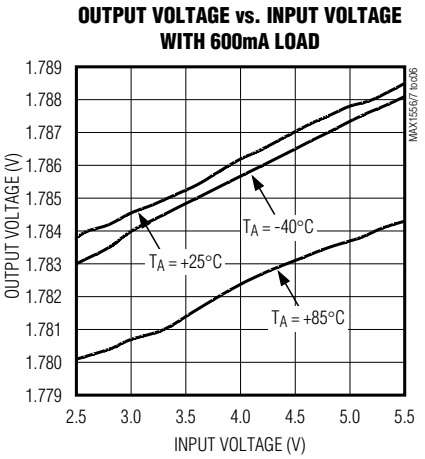
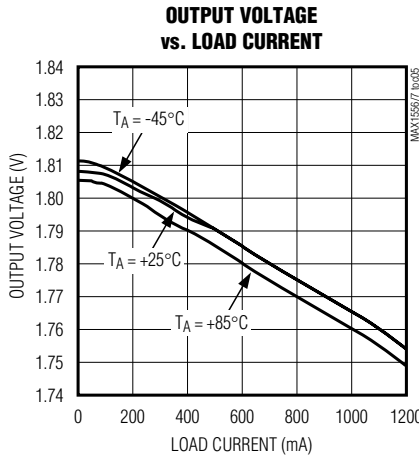
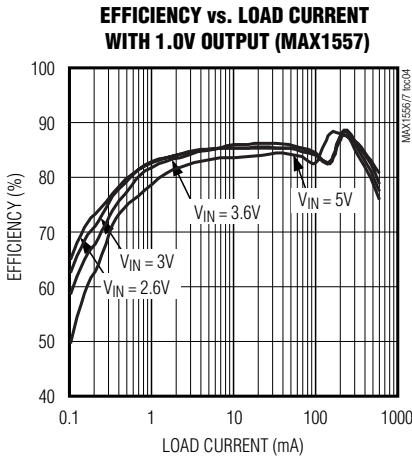
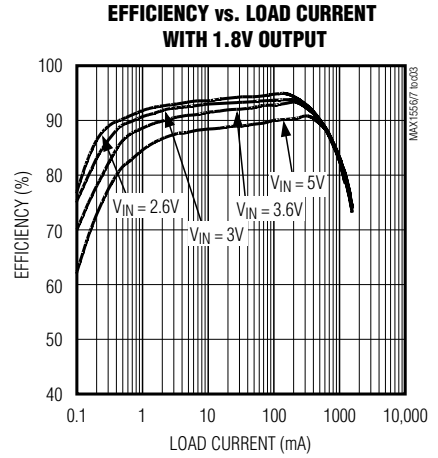
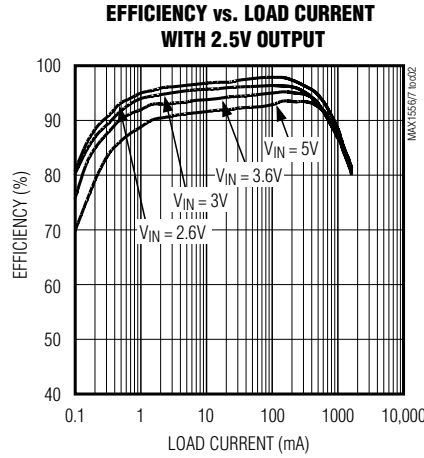
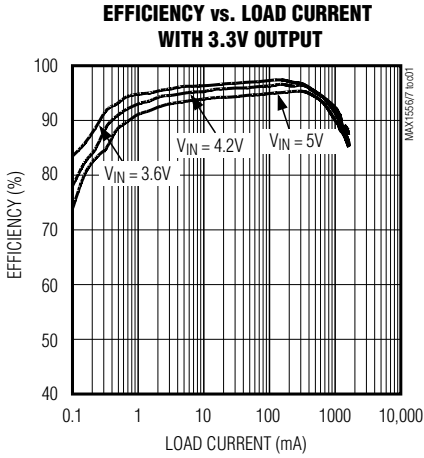
Note 2: All units are 100% production tested at $T_A = +25^{\circ}C$. Limits over the operating range are guaranteed by design.

Note 3: For the MAX1556, 3.3V output accuracy is specified with a 4.2V input.

16 μ A IQ, 1.2A PWM DC-DC Step-Down Converters

Typical Operating Characteristics

($V_{IN} = V_{INP} = 3.6V$, $D1 = D2 = \overline{SHDN} = IN$, Circuits of Figures 2 and 3, $T_A = +25^\circ C$, unless otherwise noted.)



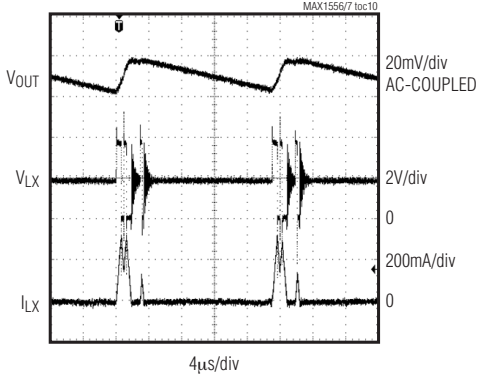
16 μ A IQ, 1.2A PWM DC-DC Step-Down Converters

Typical Operating Characteristics (continued)

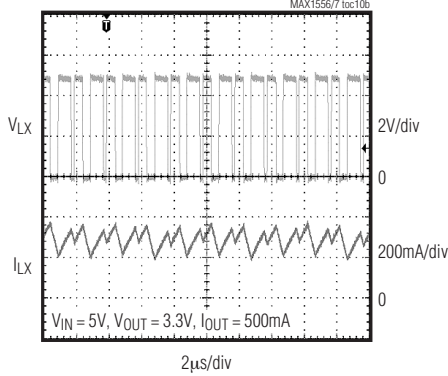
($V_{IN} = V_{INP} = 3.6V$, $D1 = D2 = \overline{SHDN} = IN$, Circuits of Figures 2 and 3, $T_A = +25^\circ C$, unless otherwise noted.)

MAX1556/MAX1556A/MAX1557

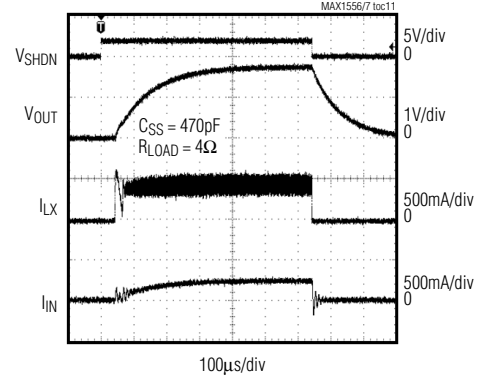
LIGHT-LOAD SWITCHING WAVEFORMS



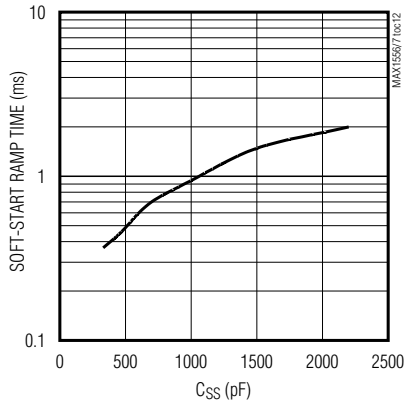
EXTERNAL FEEDBACK SWITCHING WAVEFORMS



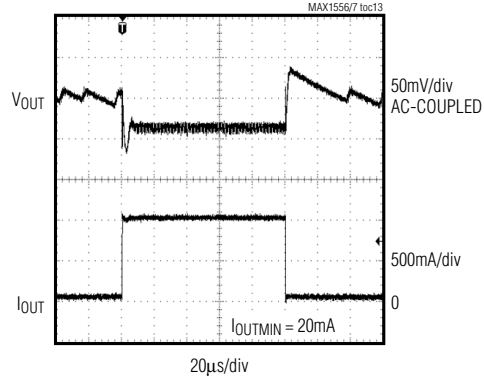
SOFT-START/SHUTDOWN WAVEFORMS



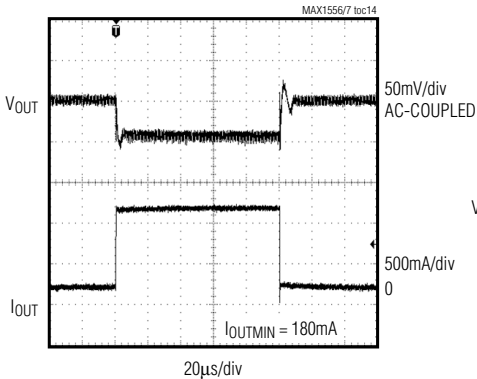
SOFT-START RAMP TIME vs. CSS



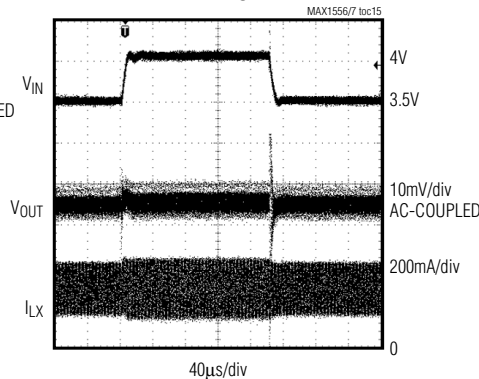
LOAD TRANSIENT



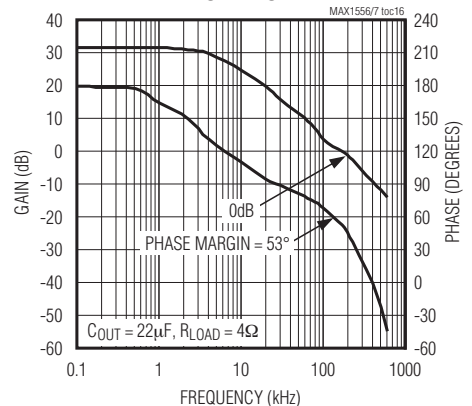
LOAD TRANSIENT



LINE TRANSIENT



BODE PLOT



16 μ A IQ, 1.2A PWM DC-DC Step-Down Converters

Pin Description

| PIN | NAME | FUNCTION |
|-----|--------------------------|--|
| 1 | IN | Supply Voltage Input. Connect to a 2.6V to 5.5V source. |
| 2 | GND | Ground. Connect to PGND. |
| 3 | SS | Soft-Start Control. Connect a 1000pF capacitor (C_{SS}) from SS to GND to eliminate input-current overshoot during startup. C_{SS} is required for normal operation of the MAX1556/MAX1557. For greater than 22 μ F total output capacitance, increase C_{SS} to $C_{OUT} / 22,000$ for soft-start. SS is internally discharged through 200 Ω to GND in shutdown. |
| 4 | OUT | Output Sense Input. Connect to the output of the regulator. D1 and D2 select the desired output voltage through an internal feedback resistor-divider. The internal feedback resistor-divider remains connected in shutdown. |
| 5 | $\overline{\text{SHDN}}$ | Shutdown Input. Drive $\overline{\text{SHDN}}$ low to enable low-power shutdown mode. Drive high or connect to IN for normal operation. |
| 6 | D2 | OUT Voltage-Select Input. See Table 1. |
| 7 | PGND | Power Ground. Connect to GND. |
| 8 | LX | Inductor Connection. Connected to the drains of the internal power MOSFETs. High impedance in shutdown mode. |
| 9 | INP | Supply Voltage, High-Current Input. Connect to a 2.6V to 5.5V source. Bypass with a 10 μ F ceramic capacitor to PGND. |
| 10 | D1 | OUT Voltage-Select Input. See Table 1. |
| — | EP | Exposed Paddle. Connect to ground plane. EP also functions as a heatsink. Solder to circuit-board ground plane to maximize thermal dissipation. |

Table 1. Output-Voltage-Select Truth Table

| D1 | D2 | MAX1556 V _{OUT} | MAX1556A V _{OUT} | MAX1557 V _{OUT} |
|----|----|---|------------------------------|---|
| 0 | 0 | Adjustable ($V_{FB} = 0.75V$) from 0.75V to V_{IN} | 3.3V | Adjustable ($V_{FB} = 0.75V$) from 0.75V to V_{IN} |
| 0 | 1 | 3.3V | 1.5V | 1.5V |
| 1 | 0 | 2.5V | 1.2V | 1.3V |
| 1 | 1 | 1.8V | 2.5V | 1.0V |

A zero represents D_+ being driven low or connected to GND.
A 1 represents D_+ being driven high or connected to IN.

Detailed Description

The MAX1556/MAX1557 synchronous step-down converters deliver a guaranteed 1.2A/600mA at output voltages from 0.75V to V_{IN} . They use a 1MHz PWM current-mode control scheme with internal compensation, allowing for tiny external components and a fast transient response. At light loads the MAX1556/MAX1557 automatically switch to pulse-skipping mode to keep the quiescent supply current as low as 16 μ A. Figures 2 and 3 show the typical application circuits.

Control Scheme

During PWM operation the converters use a fixed-frequency, current-mode control scheme. The heart of the current-mode PWM controller is an open-loop, multiple-input comparator that compares the error-amp voltage feedback signal against the sum of the amplified current-sense signal and the slope-compensation ramp. At the beginning of each clock cycle, the internal high-side p-channel MOSFET turns on until the PWM comparator trips. During this time the current in the inductor ramps up, sourcing current to the output and storing energy in the inductor's magnetic field. When the p-channel turns off, the internal low-side n-channel MOSFET turns on. Now the inductor releases the stored energy while the current ramps down, still providing current to the output. The output capacitor stores charge when the inductor current exceeds the load and discharges when the inductor current is lower than the load. Under overload conditions, when the inductor current exceeds the current limit, the high-side MOSFET is turned off and the low-side MOSFET remains on until the next clock cycle.

16 μ A IQ, 1.2A PWM DC-DC Step-Down Converters

MAX1556/MAX1556A/MAX1557

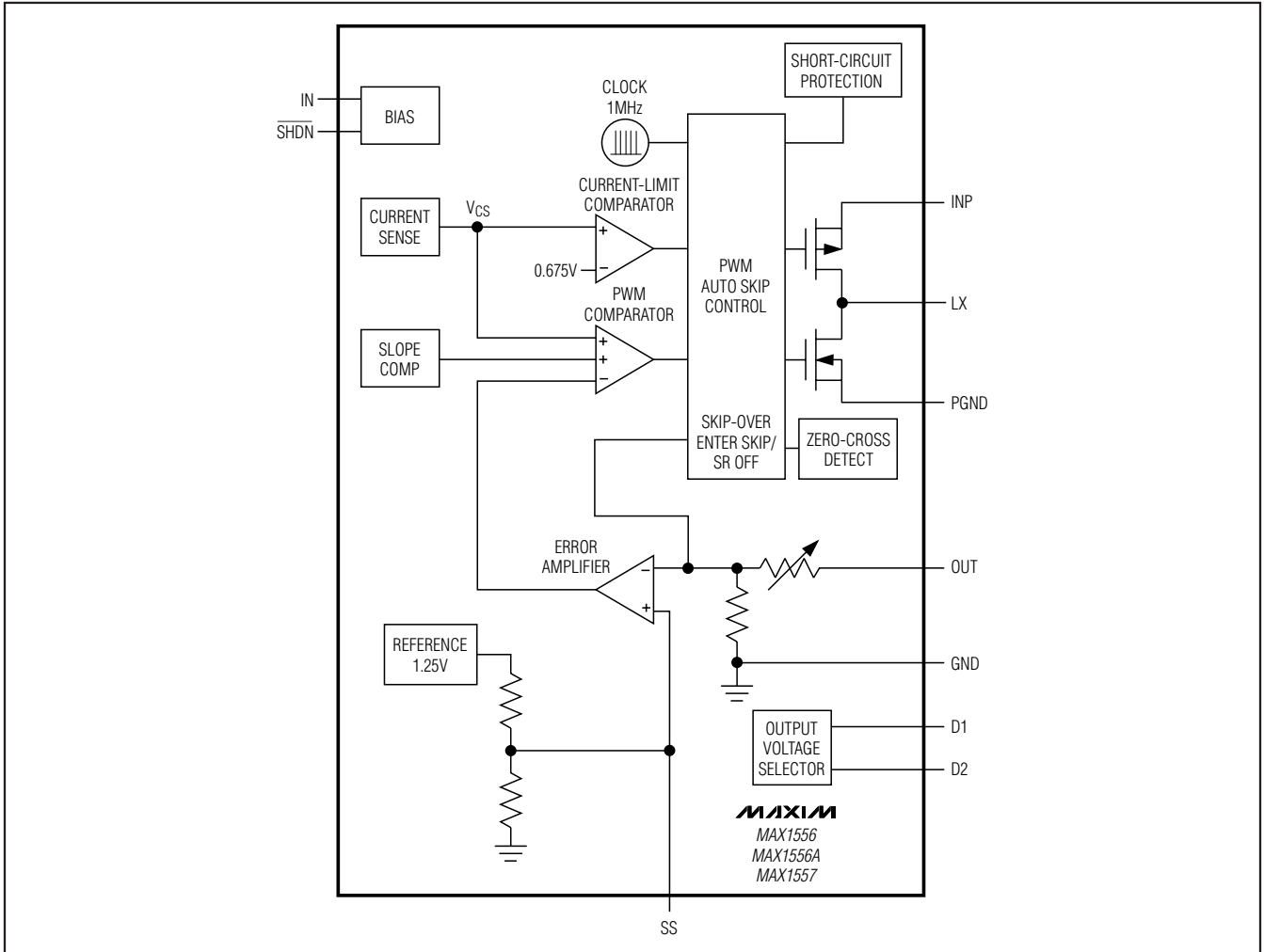


Figure 1. Functional Diagram

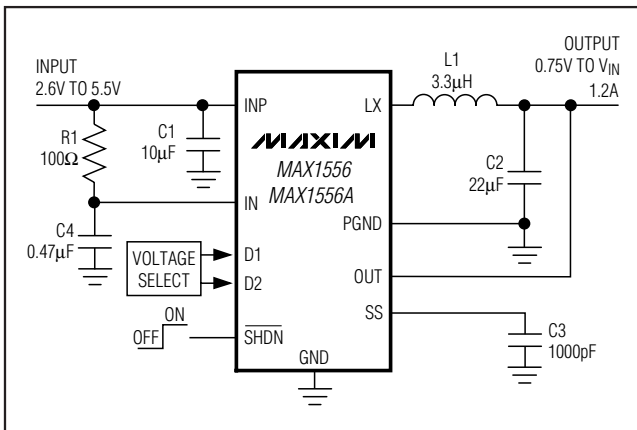


Figure 2. MAX1556 Typical Application Circuit

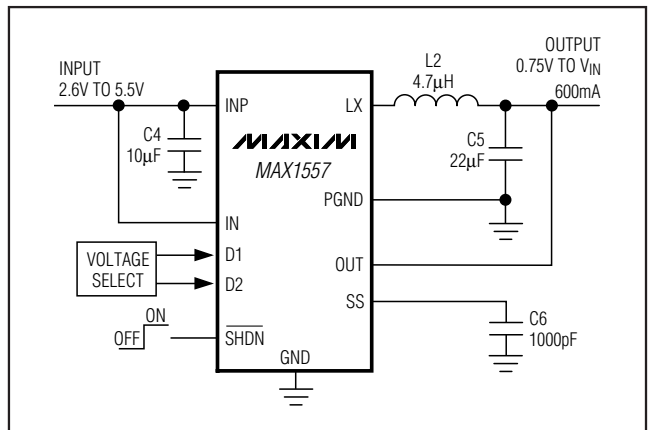


Figure 3. MAX1557 Typical Application Circuit

16 μ A IQ, 1.2A PWM DC-DC Step-Down Converters

As the load current decreases, the converters enter a pulse-skip mode in which the PWM comparator is disabled. At light loads, efficiency is enhanced by a pulse-skip mode in which switching occurs only as needed to service the load. Quiescent current in skip mode is typically 16 μ A. See the Light-Load Switching Waveforms and Load Transient graphs in the *Typical Operating Characteristics*.

Load-Transient Response/ Voltage Positioning

The MAX1556/MAX1556A/MAX1557 match the load regulation to the voltage droop seen during transients. This is sometimes called voltage positioning. The load line used to achieve this behavior is shown in Figures 4 and 5. There is minimal overshoot when the load is removed and minimal voltage drop during a transition from light load to full load. Additionally, the MAX1556, MAX1556A, and MAX1557 use a wide-bandwidth feedback loop to respond more quickly to a load transient than regulators using conventional integrating feedback loops (see Load Transient in the *Typical Operating Characteristics*).

The MAX1556/MAX1556A/MAX1557 use of a wide-band control loop and voltage positioning allows superior load-transient response by minimizing the amplitude and duration of overshoot and undershoot in response to load transients. Other DC-DC converters, with high gain-control loops, use external compensation to maintain tight DC load regulation but still allow large voltage droops of 5% or greater for several hundreds of microseconds during transients. For example, if the load is a CPU running at 600MHz, then a dip lasting 100 μ s corresponds to 60,000 CPU clock cycles.

Voltage positioning on the MAX1556/MAX1556A/MAX1557 allows up to 2.25% (typ) of load-regulation voltage shift but has no further transient droop. Thus, during load transients, the voltage delivered to the CPU remains within spec more effectively than with other regulators that might have tighter initial DC accuracy. In summary, a 2.25% load regulation with no transient droop is much better than a converter with 0.5% load regulation and 5% or more of voltage droop during load transients. Load-transient variation can be seen only with an oscilloscope (see the *Typical Operating Characteristics*), while DC load regulation read by a voltmeter does not show how the power supply reacts to load transients.

Dropout/100% Duty-Cycle Operation

The MAX1556/MAX1556A/MAX1557 function with a low input-to-output voltage difference by operating at 100% duty cycle. In this state, the high-side p-channel

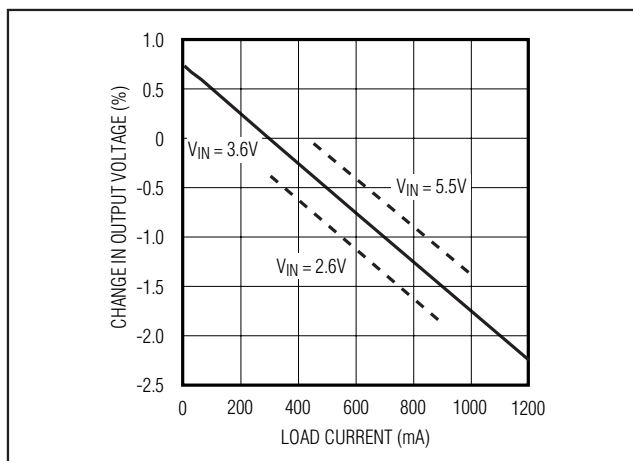


Figure 4. MAX1556 Voltage-Positioning Load Line

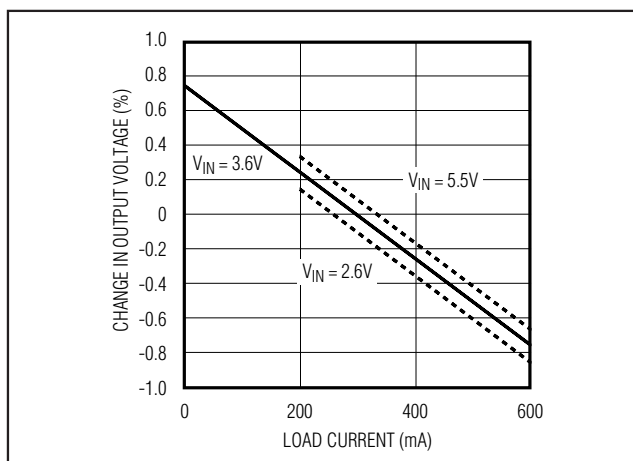


Figure 5. MAX1557 Voltage-Positioning Load Line

MOSFET is always on. This is particularly useful in battery-powered applications with a 3.3V output. The system and load might operate normally down to 3V or less. The MAX1556/MAX1556A/MAX1557 allow the output to follow the input battery voltage as it drops below the regulation voltage. The quiescent current in this state rises minimally to only 27 μ A (typ), which aids in extending battery life. This dropout/100% duty-cycle operation achieves long battery life by taking full advantage of the entire battery range.

The input voltage required to maintain regulation is a function of the output voltage and the load. The difference between this minimum input voltage and the output voltage is called the dropout voltage. The dropout voltage is therefore a function of the on-resistance of the internal p-channel MOSFET ($R_{DS(ON)P}$) and the inductor resistance (DCR).

16μA IQ, 1.2A PWM DC-DC Step-Down Converters

MAX1556/MAX1556A/MAX1557

Table 2. Inductor Selection

| MANUFACTURER | PART | VALUE (μH) | DCR (mΩ) | ISAT (mA) | SIZE (mm) | SHIELDED |
|--------------|--------------|------------|----------|-----------|-----------------|----------|
| Taiyo Yuden | LMNP04SB3R3N | 3.3 | 36 | 1300 | 5 x 5 x 2.0 | Yes |
| Taiyo Yuden | LMNP04SB4R7N | 4.7 | 50 | 1200 | 5 x 5 x 2.0 | Yes |
| TOKO | D52LC | 3.5 | 73 | 1340 | 5 x 5 x 2.0 | Yes |
| TOKO | D52LC | 4.7 | 87 | 1140 | 5 x 5 x 2.0 | Yes |
| Sumida | CDRH3D16 | 4.7 | 50 | 1200 | 3.8 x 3.8 x 1.8 | Yes |
| TOKO | D412F | 4.7 | 100* | 1200* | 4.8 x 4.8 x 1.2 | Yes |
| Murata | LQH32CN | 4.7 | 97 | 790 | 2.5 x 3.2 x 2.0 | No |
| Sumitomo | CXL180 | 4.7 | 70* | 1000* | 3.0 x 3.2 x 1.7 | No |
| Sumitomo | CXLD140 | 4.7 | 100* | 800* | 2.8 x 3.2 x 1.5 | No |

*Estimated based upon similar-valued prototype inductors.

$$V_{DROPOUT} = I_{OUT} \times (R_{DS(ON)P} + DCR)$$

$R_{DS(ON)P}$ is given in the *Electrical Characteristics*. DCR for a few recommended inductors is listed in Table 2.

Soft-Start

The MAX1556/MAX1556A/MAX1557 use soft-start to eliminate inrush current during startup, reducing transients at the input source. Soft-start is particularly useful for higher-impedance input sources such as Li+ and alkaline cells. Connect the required soft-start capacitor from SS to GND. For most applications using a 22μF output capacitor, connect a 1000pF capacitor from SS to GND. If a larger output capacitor is used, then use the following formula to find the value of the soft-start capacitor:

$$C_{SS} = \frac{C_{OUT}}{22000}$$

Soft-start is implemented by exponentially ramping up the output voltage from 0 to $V_{OUT(NOM)}$ with a time constant equal to C_{SS} times 200kΩ (see the *Typical Operating Characteristics*). Assuming three time constants to full output voltage, use the following formula to calculate the soft-start time:

$$t_{SS} = 600 \times 10^3 \times C_{SS}$$

Shutdown Mode

Connecting \overline{SHDN} to GND or logic low places the MAX1556/MAX1556A/MAX1557 in shutdown mode and reduces supply current to 0.1μA. In shutdown, the control circuitry and the internal p-channel and n-channel MOSFETs turn off and LX becomes high impedance. Connect \overline{SHDN} to IN or logic high for normal operation.

Thermal Shutdown

As soon as the junction temperature of the MAX1556/MAX1556A/MAX1557 exceeds +160°C, the ICs go into thermal shutdown. In this mode the internal p-channel switch and the internal n-channel synchronous rectifier are turned off. The device resumes normal operation when the junction temperature falls below +145°C.

Applications Information

The MAX1556/MAX1556A/MAX1557 are optimized for use with small external components. The correct selection of inductors and input and output capacitors ensures high efficiency, low output ripple, and fast transient response.

Adjusting the Output Voltage

The MAX1556/MAX1556A/MAX1557 offer preset output voltages of 1.0V, 1.2V, 1.3V, 1.5V, 1.8V, 2.5V, and 3.3V as well as an adjustable output using external resistors. Whenever possible, the preset outputs (set by D1 and D2) should be used. With external resistor feedback, noise coupling to FB can cause alternate LX pulse to terminate early resulting in an inductor current waveform with alternate large and small current pulses. See the External Feedback Switching Waveforms graph in *Typical Operating Characteristics* section. Note that external feedback and the alternating large-small pulse waveform do not impact loop stability and have no harmful effect on regulation or reliability.

The adjustable output is selected when D1 = D2 = 0 and an external resistor-divider is used to set the output voltage (see Figure 6). The MAX1556/MAX1557 have a defined line- and load-regulation slope. The load regulation is for both preset and adjustable outputs and is described in the *Electrical Characteristics* table and Figures 4 and 5. The impact of the line-regulation slope

16 μ A IQ, 1.2A PWM DC-DC Step-Down Converters

can be reduced by applying a correction factor to the feedback resistor equation.

First, calculate the correction factor, k , by plugging the desired output voltage into the following formula:

$$k = 1.06 \times 10^{-2}V \times \left(\frac{V_{\text{OUTPUT}} - 0.75V}{3.6V} \right)$$

k represents the shift in the operating point at the feedback node (OUT).

Select the lower feedback resistor, R_3 , to be $\leq 35.7k\Omega$ to ensure stability and solve for R_2 :

$$\left(\frac{0.75V - k}{V_{\text{OUTPUT}}} \right) = \frac{R_3}{(R_3 + R_2)}$$

Inductor Selection

A 4.7 μ H inductor with a saturation current of at least 800mA is recommended for the MAX1557 full-load (600mA) application. For the MAX1556/MAX1556A application with 1.2A full load, use a 3.3 μ H inductor with at least 1.34A saturation current. For lower full-load currents the inductor current rating can be reduced. For maximum efficiency, the inductor's resistance (DCR) should be as low as possible. Please note that the core material differs among different manufacturers and inductor types and has an impact on the efficiency. See Table 2 for recommended inductors and manufacturers.

Capacitor Selection

Ceramic input and output capacitors are recommended for most applications. For best stability over a wide temperature range, use capacitors with an X5R or better dielectric due to their small size, low ESR, and low temperature coefficients.

Output Capacitor

The output capacitor, C_{OUT} , is required to keep the output voltage ripple small and to ensure regulation loop stability. C_{OUT} must have low impedance at the switching frequency. A 22 μ F ceramic output capacitor is recommended for most applications. If a larger output capacitor is used, then paralleling smaller capacitors is suggested to keep the effective impedance of the capacitor low at the switching frequency.

Input Capacitor

Due to the pulsating nature of the input current in a buck converter, a low-ESR input capacitor at INP is required for input voltage filtering and to minimize interference with other circuits. The impedance of the input capacitor, C_{INP} , should be kept very low at the switching frequency. A minimum value of 10 μ F is recommended at

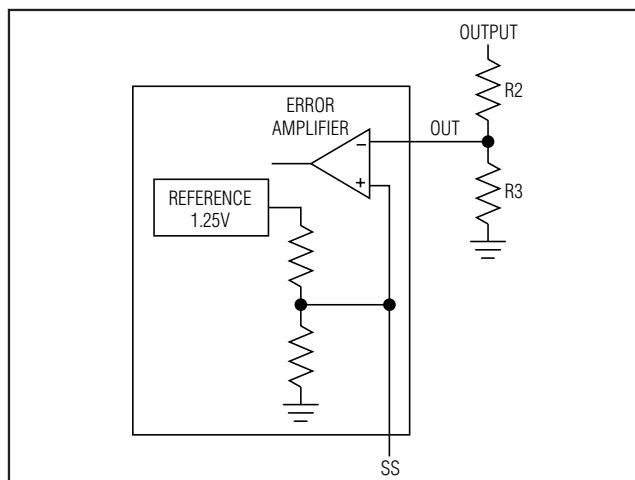


Figure 6. Adjustable Output Voltage

INP for most applications. The input capacitor can be increased for better input filtering.

IN Input Filter

In all MAX1557 applications, connect INP directly to IN and bypass INP as described in the *Input Capacitor* section. No additional bypass capacitor is required at IN. For applications using the MAX1556 and MAX1556A, an RC filter between INP and IN keeps power-supply noise from entering the IC. Connect a 100 Ω resistor between INP and IN, and connect a 0.47 μ F capacitor from IN to GND.

Soft-Start Capacitor

The soft-start capacitor, C_{SS} , is required for proper operation of the MAX1556/MAX1556A/MAX1557. The recommended value of C_{SS} is discussed in the *Soft-Start* section. Soft-start times for various soft-start capacitors are shown in the *Typical Operating Characteristics*.

PCB Layout and Routing

Due to fast-switching waveforms and high-current paths, careful PCB layout is required. An evaluation kit (MAX1556EVKIT) is available to speed design.

When laying out a board, minimize trace lengths between the IC, the inductor, the input capacitor, and the output capacitor. Keep these traces short, direct, and wide. Keep noisy traces, such as the LX node trace, away from OUT. The input bypass capacitors should be placed as close as possible to the IC. Connect GND to the exposed paddle and star PGND and GND together at the output capacitor. The ground connections of the input and output capacitors should be as close together as possible.

16 μ A IQ, 1.2A PWM DC-DC Step-Down Converters

Chip Information

PROCESS: BiCMOS

Package Information

For the latest package outline information and land patterns, go to www.maxim-ic.com/packages. Note that a "+", "#", or "-" in the package code indicates RoHS status only. Package drawings may show a different suffix character, but the drawing pertains to the package regardless of RoHS status.

| PACKAGE TYPE | PACKAGE CODE | OUTLINE NO. | LAND PATTERN NO. |
|--------------|--------------|-------------------------|-------------------------|
| 10 TDFN | T1033-1 | 21-0137 | 90-0003 |

MAX1556/MAX1556A/MAX1557

16 μ A IQ, 1.2A PWM DC-DC Step-Down Converters

Revision History

| REVISION NUMBER | REVISION DATE | DESCRIPTION | PAGES CHANGED |
|------------------------|----------------------|--|-----------------------|
| 0 | 7/04 | Initial release | — |
| 1 | 3/08 | Adding MAX1556A as a new version | 1-12 |
| 2 | 6/10 | Added soldering temperature, added TOC for external feedback switching waveforms, and added paragraph discussing noise coupling when using external feedback resistors | 1, 2, 5, 6, 9, 10, 11 |
| 3 | 1/11 | Added automotive qualified part | 1 |

Maxim cannot assume responsibility for use of any circuitry other than circuitry entirely embodied in a Maxim product. No circuit patent licenses are implied. Maxim reserves the right to change the circuitry and specifications without notice at any time.

12 _____ **Maxim Integrated Products, 120 San Gabriel Drive, Sunnyvale, CA 94086 408-737-7600**

Looking for pricing, stock, or lifecycle information?

Click below to explore more details on WIN SOURCE:

 [View MAX1556ETB+T on WIN SOURCE](#)

 [Maxim Integrated Information](#)

Optimize Your Supply Chain with WIN SOURCE Solutions

-  Global Sourcing Solution
-  Obsolete Management
-  Cost Control Management
-  Shortage Management
-  Alternative Solution
-  Excess Inventory Management