



**THE DATASHEET OF  
MAX1659ESA+T**



# MAX1658/MAX1659

# 350mA, 16.5V Input, Low-Dropout Linear Regulators

## General Description

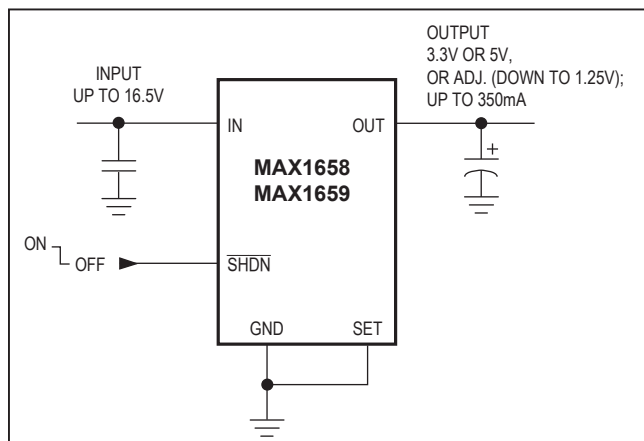
The MAX1658/MAX1659 linear regulators maximize battery life by combining ultra-low supply currents and low-dropout voltages. They feature Dual Mode™ operation, which presets the output to 3.3V (MAX1658) or 5V (MAX1659), or permits it to be adjusted between 1.25V and 16V. The regulator supplies up to 350mA, with a typical dropout of 650mV for the MAX1658 and 490mV for the MAX1659. With their p-channel MOSFET pass transistor, these devices maintain a low quiescent current from zero output current to the full 350mA, even in dropout. They support input voltages ranging from 2.7V to 16.5V.

The MAX1658/MAX1659 feature a 1µA shutdown mode, reverse-battery protection, short-circuit protection, and thermal shutdown. They are available in a special high-power (1.2W), 8-pin SO package designed specifically for compact applications.

## Applications

- Digital Cordless Phones
- PCS Phones
- Cellular Phones
- PCMCIA Cards
- Modems
- Hand-Held Instruments
- Palmtop Computers
- Electronic Planners

## Typical Operating Circuit



Dual Mode is a trademark of Maxim Integrated Products.

## Features

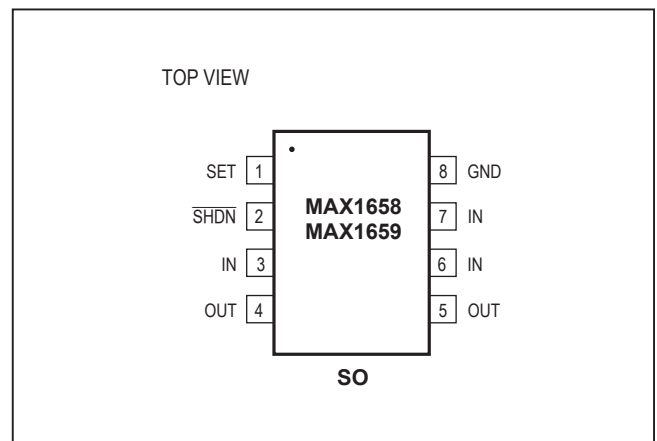
- Wide Input Voltage Range: 2.7V to 16.5V
- Low, 490mV Dropout at 350mA Output Current (MAX1659)
- 30µA Supply Current
- 1µA Max Shutdown Current
- High-Power (1.2W) 8-Pin SO Package
- Dual Mode Operation Output:
  - Fixed 3.3V (MAX1658)
  - Fixed 5.0V (MAX1659)
  - or Adjustable (1.25V to 16V)
- Thermal-Overload Protection
- Current-Limit Protection
- Reverse-Battery Protection

## Ordering Information

| PART        | TEMP RANGE     | PIN-PACKAGE |
|-------------|----------------|-------------|
| MAX1658C/D  | 0°C to +70°C   | Dice*       |
| MAX1658ESA+ | -40°C to +85°C | 8 SO        |
| MAX1659C/D  | 0°C to +70°C   | Dice*       |
| MAX1659ESA+ | -40°C to +85°C | 8 SO        |

\*Dice are tested at  $T_A = +25^\circ\text{C}$ , DC parameters only.  
+Denotes a lead(Pb)-free/RoHS-compliant package.

## Pin Configuration



### Absolute Maximum Ratings

IN to GND ..... -17V to +17V  
 Continuous Output Current ..... 500mA  
 Output Short-Circuit Duration ..... Infinite  
 SET,  $\overline{\text{SHDN}}$  to GND ..... -17V to +17V  
 OUT to GND ..... -0.3V to ( $V_{\text{IN}} + 0.3\text{V}$ )  
 Continuous Power Dissipation (Note 1)  
     SO (derate 14.5mW/°C above +70°C) ..... 1.2W

Operating Temperature Range  
     MAX1658ESA/MAX1659ESA ..... -40°C to +85°C  
 Junction Temperature ..... +150°C  
 Storage Temperature Range ..... -65°C to +160°C  
 Lead Temperature Range (soldering, 10sec) ..... +300°C

**Note 1:** See *Operating Region and Power Dissipation* section.

*Stresses beyond those listed under "Absolute Maximum Ratings" may cause permanent damage to the device. These are stress ratings only, and functional operation of the device at these or any other conditions beyond those indicated in the operational sections of the specifications is not implied. Exposure to absolute maximum rating conditions for extended periods may affect device reliability.*

### Electrical Characteristics

( $V_{\text{IN}} = 5\text{V}$  (MAX1658),  $V_{\text{IN}} = 6\text{V}$  (MAX1659);  $C_{\text{OUT}} = 10\mu\text{F}$ ;  $\overline{\text{SHDN}} = \text{IN}$ ;  $T_{\text{A}} = T_{\text{MIN}}$  to  $T_{\text{MAX}}$ ; unless otherwise noted. Typical values are at  $T_{\text{A}} = +25^\circ\text{C}$ .) (Note 2)

| PARAMETER                      | SYMBOL                  | CONDITIONS  |  | MIN   | TYP  | MAX  | UNITS              |
|--------------------------------|-------------------------|---|--|-------|------|------|--------------------|
| Input Voltage Range            | $V_{\text{IN}}$         | SET = OUT   |  | 2.7   |      | 16.5 | V                  |
| Output Voltage                 | $V_{\text{OUT}}$        | SET = GND,<br>0mA < ILOAD < 350mA   | MAX1658,<br>5V ≤ $V_{\text{IN}}$ ≤ 16.5V | 3.20  | 3.30 | 3.40 | V                  |
|                                |                         |   | MAX1659,<br>6V ≤ $V_{\text{IN}}$ ≤ 16.5V | 4.85  | 5.00 | 5.15 |                    |
| Regulated Output Voltage Range |                         | (Note 3)  |  | 1.25  |      | 16   | V                  |
| Maximum Output Current         | $I_{\text{OUT(MAX)}}$   |   |  | 350   |      |      | mA                 |
| Current Limit                  | $I_{\text{LIM}}$        |   |  | 900   |      |      | mA                 |
| Supply Current                 | $I_{\text{Q}}$          |   |  |       | 30   | 60   | μA                 |
| Dropout Voltage (Note 4)       | $\Delta V_{\text{DO}}$  | $I_{\text{OUT}} = 1\text{mA}$   |  | 2     |      |      | mV                 |
|                                |                         | $I_{\text{OUT}} = 350\text{mA}$   | MAX1658                                  | 650   | 1500 |      |                    |
|                                |                         |   | MAX1659                                  | 490   | 875  |      |                    |
| Line Regulation                | $\Delta V_{\text{LNR}}$ | MAX1658, $V_{\text{IN}} = 5\text{V}$ to 16.5V                                 |  | 0.03  |      |      | %V                 |
|                                |                         | MAX1659, $V_{\text{IN}} = 6\text{V}$ to 16.5V                                 |  | 0.05  |      |      |                    |
| Load Regulation                | $\Delta V_{\text{LDR}}$ | $I_{\text{OUT}} = 0\text{mA}$ to 350mA  |  | 0.003 |      |      | %/mA               |
| Startup Overshoot              | $V_{\text{OSH}}$        |   |  | 0     |      |      | % $V_{\text{OUT}}$ |
| Output Noise                   | $e_{\text{n}}$          | 10Hz to 100kHz  |  | 2.5   |      |      | mV <sub>P-P</sub>  |
| <b>SHUTDOWN</b>                |                         |   |  |       |      |      |                    |
| Logic-Low Input                | $V_{\text{INLSHDN}}$    | 2.7V ≤ $V_{\text{IN}}$ ≤ 16.5V  |  | 0.4   |      |      | V                  |
| Logic-High Input Threshold     | $V_{\text{INHSHDN}}$    | 2.7V ≤ $V_{\text{IN}}$ ≤ 16.5V  |  | 2.0   |      |      | V                  |
| Shutdown Input Bias Current    | $I_{\text{SHDN}}$       | $\overline{\text{SHDN}} = \text{GND}$ or $\overline{\text{SHDN}} = \text{IN}$ |  | 0.1   |      |      | μA                 |
| Shutdown Supply Current        | $I_{\text{QSHDN}}$      | $\overline{\text{SHDN}} \leq 0.4\text{V}$                                     |  | 0.1   | 1    |      | μA                 |
| Shutdown Exit Time             | $t_{\text{START}}$      | $V_{\text{OUT}} = 5.0\text{V}$  |  | 120   |      |      | μs                 |

**Electrical Characteristics (continued)**

( $V_{IN} = 5V$  (MAX1658),  $V_{IN} = 6V$  (MAX1659);  $C_{OUT} = 10\mu F$ ;  $\overline{SHDN} = IN$ ;  $T_A = T_{MIN}$  to  $T_{MAX}$ ; unless otherwise noted. Typical values are at  $T_A = +25^\circ C$ .) (Note 2)

| PARAMETER                    | SYMBOL          | CONDITIONS                   | MIN   | TYP   | MAX   | UNITS      |
|------------------------------|-----------------|------------------------------|-------|-------|-------|------------|
| <b>SET INPUT</b>             |                 |                              |       |       |       |            |
| SET Reference Voltage        | $V_{SET}$       | $I_{OUT} = 10\mu A$ (Note 3) | 1.174 | 1.210 | 1.246 | V          |
| SET Input Leakage Current    | $I_{SET}$       | $T_A = +25^\circ C$ (Note 3) |       | 0.01  | 0.025 | $\mu A$    |
|                              |                 | $T_A = +85^\circ C$ (Note 3) |       | 0.1   |       |            |
| <b>THERMAL PROTECTION</b>    |                 |                              |       |       |       |            |
| Thermal Shutdown Temperature | $T_{SD}$        |                              |       | 165   |       | $^\circ C$ |
| Thermal Shutdown Hysteresis  | $\Delta T_{SD}$ |                              |       | 10    |       | $^\circ C$ |

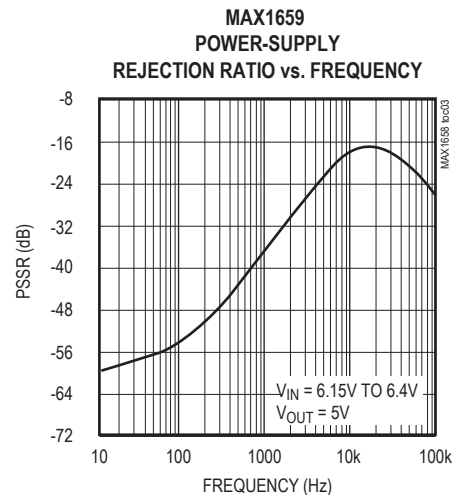
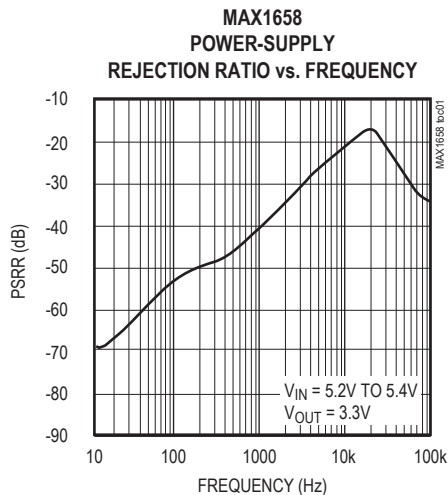
**Note 2:** Specifications to  $-40^\circ C$  are guaranteed by design, not production tested.

**Note 3:** Adjustable configuration only.  $V_{IN} = 16.5V$ .

**Note 4:** The dropout voltage is defined as  $(V_{IN} - V_{OUT})$  when  $V_{OUT}$  is 100mV below the value of  $V_{OUT}$  for  $V_{IN} = V_{OUT} + 2V$ .

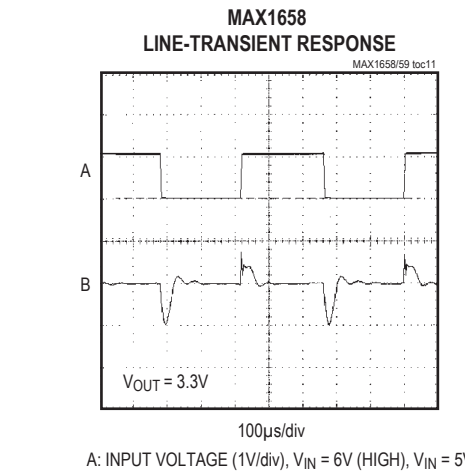
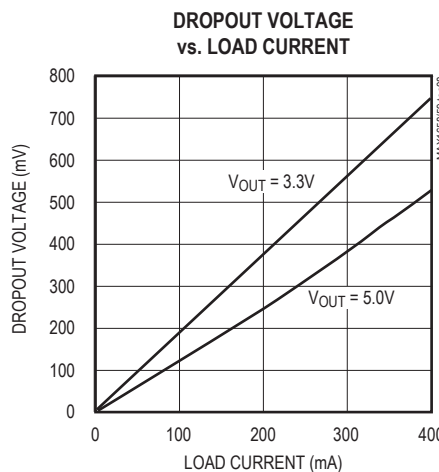
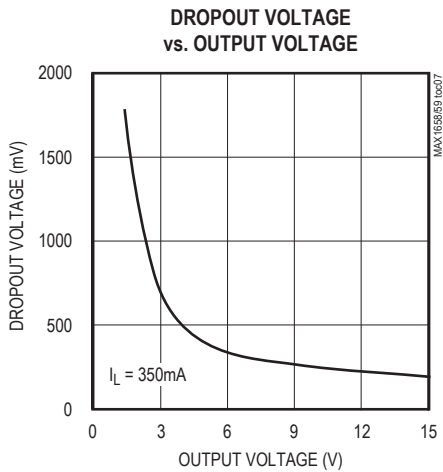
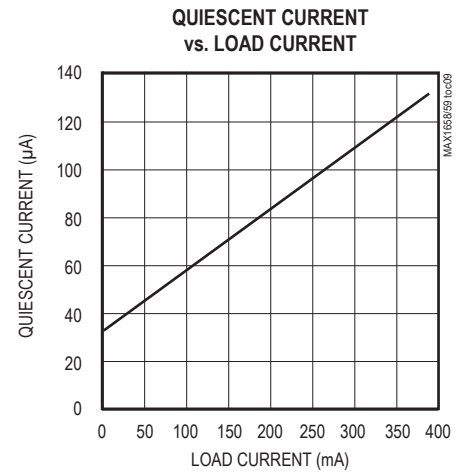
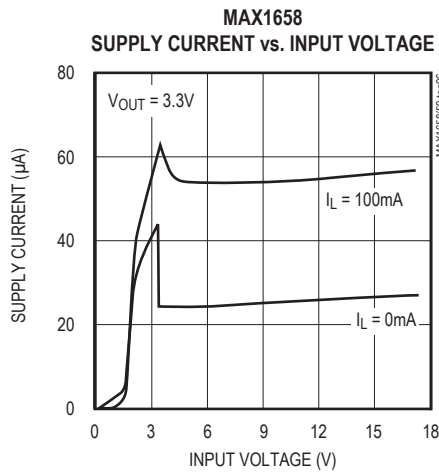
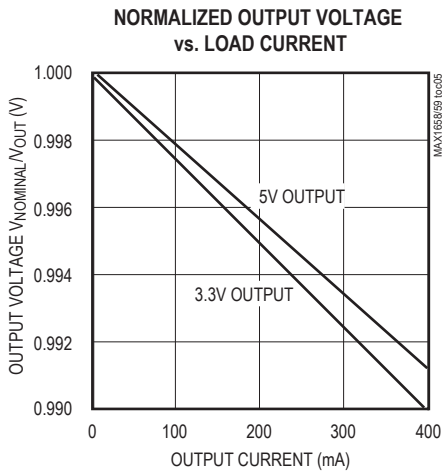
**Typical Operating Characteristics**

( $V_{IN} = 5V$  (MAX1658),  $V_{IN} = 6V$  (MAX1659);  $\overline{SHDN} = IN$ ; SET = GND;  $C_{IN} = 0.1\mu F$ ;  $C_{OUT} = 10\mu F$  tantalum;  $T_A = +25^\circ C$ ; unless otherwise noted.)

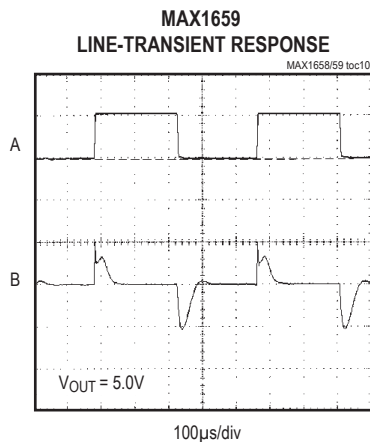


Typical Operating Characteristics (continued)

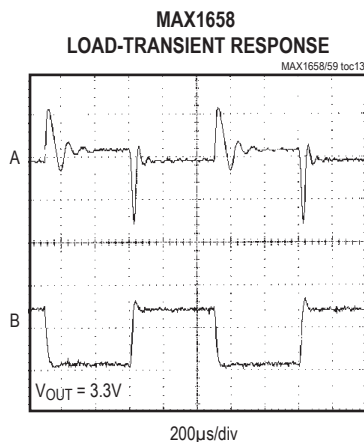
( $V_{IN} = 5V$  (MAX1658),  $V_{IN} = 6V$  (MAX1659);  $\overline{SHDN} = IN$ ;  $SET = GND$ ;  $C_{IN} = 0.1\mu F$ ;  $C_{OUT} = 10\mu F$  tantalum;  $T_A = +25^\circ C$ ; unless otherwise noted.)



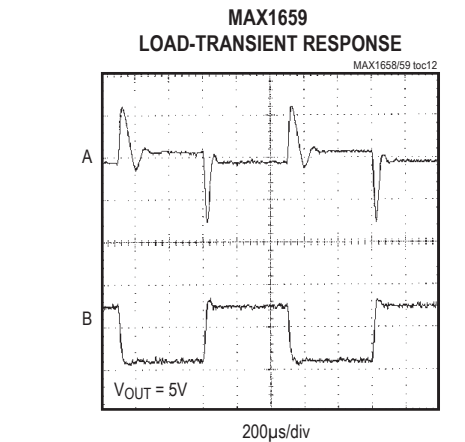
A: INPUT VOLTAGE (1V/div),  $V_{IN} = 6V$  (HIGH),  $V_{IN} = 5V$  (LOW)  
B: OUTPUT VOLTAGE (100mV/div)



A: INPUT VOLTAGE (1V/div),  $V_{IN} = 7V$  (HIGH),  $V_{IN} = 6V$  (LOW)  
B: OUTPUT VOLTAGE (100mV/div)



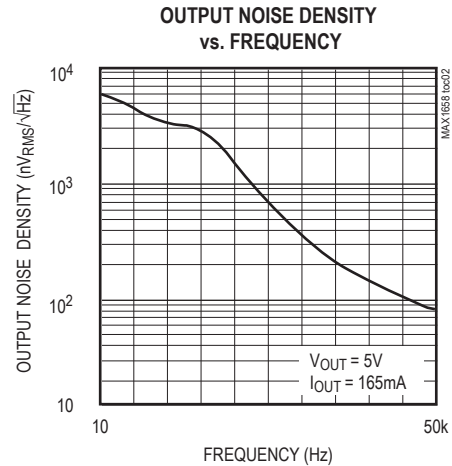
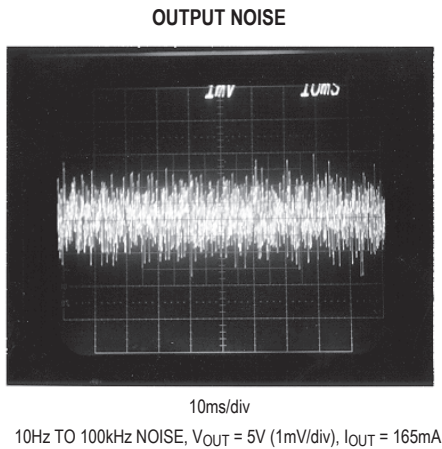
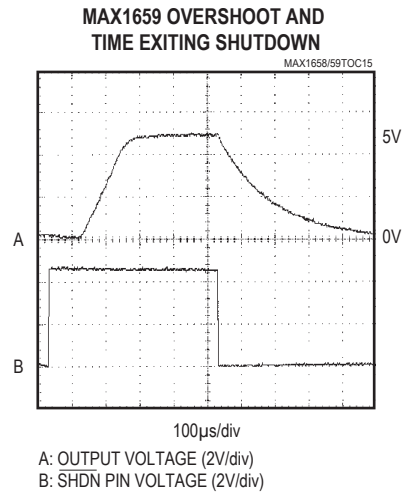
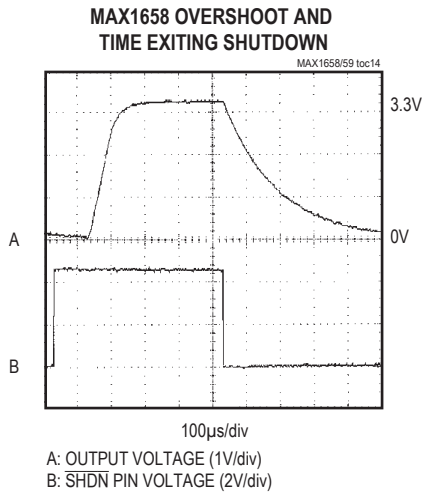
A: OUTPUT VOLTAGE (100mV/div)  
B:  $I_{OUT} = 300mA$  (HIGH),  $I_{OUT} = 40mA$  (LOW)



A: OUTPUT VOLTAGE (100mV/div)  
B:  $I_{OUT} = 300mA$  (HIGH),  $I_{OUT} = 40mA$  (LOW)

Typical Operating Characteristics (continued)

( $V_{IN} = 5V$  (MAX1658),  $V_{IN} = 6V$  (MAX1659);  $\overline{SHDN} = IN$ ; SET = GND;  $C_{IN} = 0.1\mu F$ ;  $C_{OUT} = 10\mu F$  tantalum;  $T_A = +25^\circ C$ ; unless otherwise noted.)



Pin Description

| PIN     | NAME              | FUNCTION   |
|---------|-------------------|--|
| 1       | SET               | Output-Voltage Input. Connecting SET to ground selects the factory-preset 3.3V (MAX1658) or 5V (MAX1659) output voltage. For an adjustable output voltage, connect SET to a resistive voltage-divider from OUT to GND.                           |
| 2       | $\overline{SHDN}$ | Shutdown Input. When $\overline{SHDN}$ is low, the device turns off and typically draws 0.1µA of supply current.   |
| 3, 6, 7 | IN                | Unregulated Input Supply Voltage, 2.7V to 16.5V input range. The IN pins also serve as heatsinks. Connect to a copper plane to achieve maximum thermal dissipation.  |
| 4, 5    | OUT               | Regulated Output Voltage. Fixed or adjustable from 1.25V to 16V. Sources up to 350mA. For stable operation, bypass with a 10µF, low-ESR (<0.2Ω) capacitor from OUT to GND. For improved load-transient response, use a larger low-ESR capacitor. |
| 8       | GND               | Ground   |

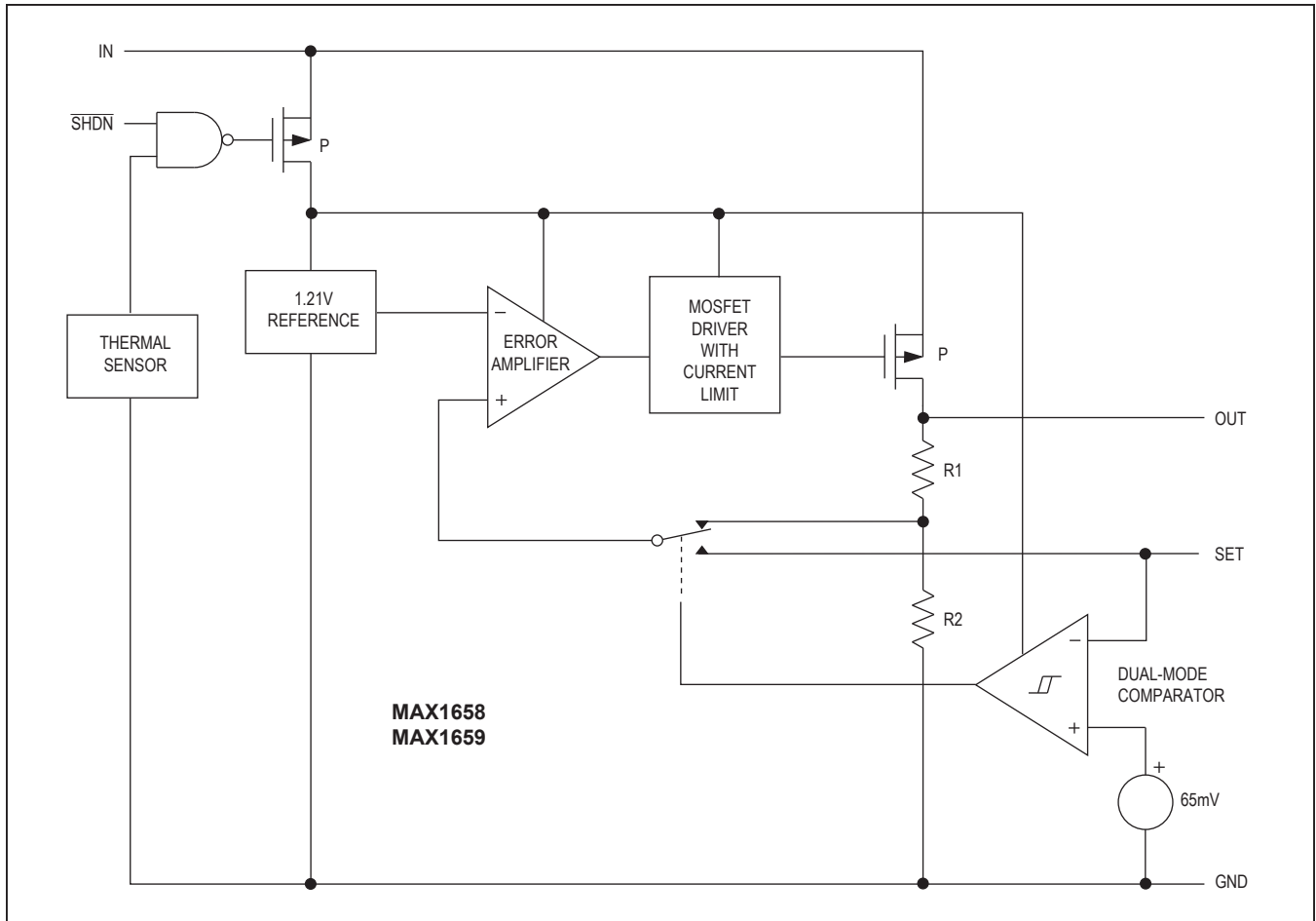


Figure 1. Functional Diagram

## Detailed Description

The MAX1658/MAX1659 are micropower, low-dropout linear regulators featuring Dual Mode operation, which allows them to deliver an adjustable (1.25V to 16.5V) or preset (3.3V for the MAX1658, 5V for MAX1659) output. They supply up to 350mA while requiring only 120 $\mu$ A of supply current (typically 30 $\mu$ A with no load). The devices include thermal-shutdown circuitry, output current limiting, a p-channel pass transistor, a Dual Mode comparator, and a feedback voltage-divider. Figure 1 shows the functional diagram.

The 1.21V reference is connected to the amplifier's inverting input. The error amplifier compares this reference with the selected feedback voltage and ampli-

fies the difference. The error signal applies the drive to the p-channel pass transistor. If the feedback voltage is lower than the reference voltage, the transistor's gate is pulled lower, increasing output current.

The output voltage is fed back through an internal resistor network or an external user-selected network. The Dual Mode comparator examines the voltage at the SET pin and selects either the internal or external feedback path. If SET is below 65mV, internal feedback sets the MAX1658's output voltage to 3.3V and the MAX1659's to 5V. Otherwise, external feedback is used for an adjustable output between 1.25V and 16.5V. Additional features include internal current limiting, reverse-battery protection, thermal-overload protection, and a 1 $\mu$ A shutdown mode.

**P-Channel Pass Transistor**

The MAX1658/MAX1659 feature an internal p-channel MOSFET pass transistor. Using a MOSFET provides several advantages over similar pnp designs, including lower dropout voltage and extended battery life. Unlike bipolar transistors, MOSFETs reduce quiescent current, because they require no base current, particularly at heavy loads and in dropout. As a result, the MAX1658/MAX1659 operate at a low quiescent current even in dropout.

**Output-Voltage Selection**

Dual Mode operation allows the MAX1658/MAX1659 to operate at either a preset or a user-adjustable output voltage. The device compares the SET pin voltage with an internal 65mV reference. If the voltage is lower than 65mV (typically achieved by grounding SET), the device switches to an internal resistor-divider feedback network that sets the output voltage. The MAX1658's preset output voltage is 3.3V and the MAX1659's is 5V (Figure 2).

If the SET pin is not below 65mV, the device switches to external feedback and SET becomes a feedback input. The feedback network can be configured to produce an output between 16V and the voltage reference (nominally 1.21V). Under regulation, the feedback mechanism adjusts the error signal such that the voltage at the SET pin equals the reference voltage. Therefore, to achieve the minimum output, connect SET directly to OUT. For other voltages, a resistive voltage divider network is necessary. Figure 3 shows the topology of a typical circuit

operating in adjustable mode. The output voltage is set by the following equation:

$$V_{OUT} = V_{SET} \left( 1 + \frac{R1}{R2} \right)$$

where  $V_{SET} = 1.21V$ . Solving for R1 yields:

$$R1 = R2 \left( \frac{V_{OUT}}{V_{SET}} - 1 \right)$$

The input leakage current of the SET input is less than 25nA. This allows the use of large resistors in the feedback network to minimize output current loss without compromising accuracy. R2 can be as high as 500kΩ in most applications.

**Shutdown**

A logic-low on the  $\overline{SHDN}$  pin places the MAX1658/MAX1659 in shutdown. This mode deactivates all functions, including the pass transistor. The device consumes less than 1μA of supply current in shutdown, and its output becomes high impedance. The MAX1658/MAX1659 exit shutdown in 100μs.

**Output Current Limit**

The MAX1658/MAX1659 include current-limiting circuitry that monitors and controls the pass transistor and limits output current to around 900mA. The output can be shorted to ground indefinitely without damaging the device.

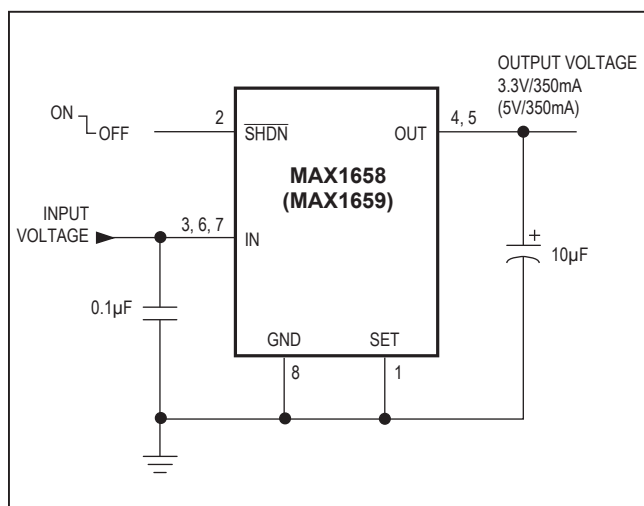


Figure 2. Preset Output Configuration

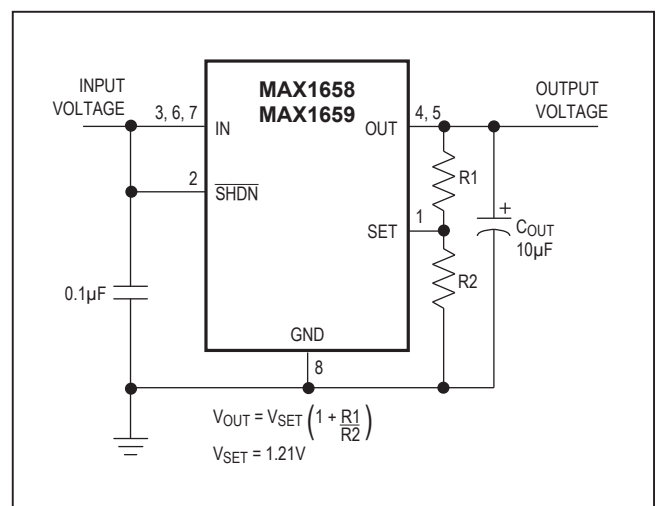


Figure 3. Adjustable Output Configuration Using External Feedback Resistors

**Thermal-Overload Protection**

Thermal-overload protection limits total power dissipation in the MAX1658/MAX1659. When the junction temperature exceeds  $T_J = +165^\circ\text{C}$ , the pass transistor deactivates, allowing the IC to cool. Once it has cooled by  $10^\circ\text{C}$ , the control logic enables operation. Under thermal overload, the output of the device pulses as the die heats up and then cools to operational levels. Prolonged operation under these conditions is not recommended.

**Operating Region and Power Dissipation**

Maximum power dissipation of the MAX1658/MAX1659 depends on the thermal resistance of the package and circuit board, the temperature difference between the die and ambient air, and the rate of air flow. The power dissipation by the device is  $P = I_{OUT} (V_{IN} - V_{OUT})$ . The maximum power dissipation is:

$$P_{MAX} = \left( \frac{T_J - T_A}{\theta_{JB} + \theta_{BA}} \right)$$

where  $(T_J - T_A)$  is the temperature difference between MAX1658/MAX1659 die junction and the surrounding air,  $\theta_{JB}$  is the thermal resistance of the package, and  $\theta_{BA}$  is the thermal resistance through the printed circuit board, copper traces, and other materials to the surrounding air. The 8-pin SO package for the MAX1658/MAX1659 features a special lead frame with a lower thermal resistance and higher allowable power dissipation than a standard 8-pin SO package. The thermal resistance of this package is  $\theta_{JB} = 69^\circ\text{C/W}$ , compared with  $\theta_{JB} = 170^\circ\text{C/W}$  for a standard 8-pin SO package.

The IN pins of the MAX1658/MAX1659 package perform the dual function of providing an electrical connection to IN and channeling heat away. Connect all IN pins to the input voltage using a large pad or power plane on the surface. Where this is impossible, connect to a copper plane on an adjacent layer. The pad should meet the dimensions specified in Figure 4.

Figure 4 assumes the IC is soldered directly to the pad, has a  $+125^\circ\text{C}$  maximum junction temperature and a  $+25^\circ\text{C}$  ambient air temperature, and has no other heat sources. Use larger pad sizes for lower junction temperatures, higher ambient temperatures, or conditions where the IC is not soldered directly to a heat-sinking IN pad.

The MAX1658/MAX1659 can regulate currents up to 350mA and operate with input voltages up to 16.5V, but not simultaneously. High output currents can only

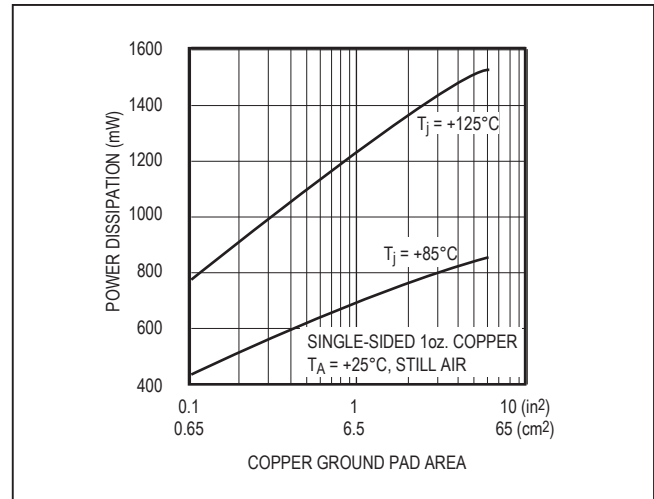


Figure 4. Typical Maximum Power Dissipation vs. Ground Pad Area

be sustained when input-output differential voltage is low, as shown in the following equation. Maximum power dissipation depends on packaging, board layout, temperature, and air flow. The maximum output current is:

$$I_{OUT(MAX)} = \frac{P_{MAX} \times (125^\circ\text{C} - T_A)}{(V_{IN} - V_{OUT}) \times 100^\circ\text{C}}$$

where  $P_{MAX}$  is derived from the  $T_J = 125^\circ\text{C}$  curve of Figure 4.

**Reverse-Battery Protection**

The MAX1658/MAX1659 feature reverse-battery protection. Under normal operation, a p-channel MOSFET connects the substrate of the device to IN. When the input voltage falls below ground (implying reverse-battery conditions), the p-channel switch turns off and disconnects the substrate from IN, disabling the device. The maximum reverse-battery voltage allowed is  $-17\text{V}$ .  $\overline{\text{SHDN}}$  also withstands reverse-battery conditions and can be connected directly to IN with no loss of protection.

Polarized input bypass capacitors become damaged under reverse-battery conditions. To ensure circuit reliability, use a nonpolarized capacitor at the input.

The MAX1658/MAX1659 do not provide reverse-current protection. If  $V_{OUT}$  is greater than  $V_{IN}$  by more than 300mV, reverse current flows. Reverse-current protection can be added by connecting a Schottky diode in series with IN.

## Applications Information

### Output Capacitor Selection and Stability

To maintain stability, connect a  $\geq 10\mu\text{F}$  capacitor with less than  $200\text{m}\Omega$  equivalent series resistance (ESR) from OUT to GND. Larger output capacitors improve load-transient response. Currents lower than 350mA make the use of smaller output capacitors possible. Table 1 shows the maximum output current typically achieved using various output capacitors. Output voltages higher than 3.3V require less output capacitance to remain stable.

**Table 1. Typical Load Current Capabilities**

| OUTPUT CAPACITOR           | LOAD CURRENT RANGE |
|----------------------------|--------------------|
| 2.2 $\mu\text{F}$ tantalum | 0mA to 120mA       |
| 4.7 $\mu\text{F}$ tantalum | 0mA to 250mA       |
| 10 $\mu\text{F}$ tantalum  | 0mA to 350mA       |

### Input Bypass Capacitor

The use of a 0.1 $\mu\text{F}$  to 10 $\mu\text{F}$  input bypass capacitor is recommended. Larger capacitors provide better supply noise rejection and line-transient response, as well as improved performance when the supply has a high AC impedance. Polarized input bypass capacitors become damaged under reverse-battery conditions. If reverse input voltages are expected, use a nonpolarized capacitor at the input.

### Noise and PSRR

The MAX1658/MAX1659 exhibit 2.5mVp-p of noise during normal operation. This noise level is negligible in most applications.

The MAX1658/MAX1659 are designed to maintain excellent power-supply rejection (55dB) at 50Hz/60Hz (or 50dB at 120Hz). These regulators are ideal for wall-cube applications that may contain significant ripple. Larger input and output capacitors further improve the circuit's AC response. See the Power-Supply Rejection Ratio vs. Frequency graphs in the *Typical Operating Characteristics*.

## Chip Information

TRANSISTOR COUNT: 207

## Package Information

For the latest package outline information and land patterns (footprints), go to [www.maximintegrated.com/packages](http://www.maximintegrated.com/packages). Note that a "+", "#", or "-" in the package code indicates RoHS status only. Package drawings may show a different suffix character, but the drawing pertains to the package regardless of RoHS status.

| PACKAGE TYPE | PACKAGE CODE | OUTLINE NO.             | LAND PATTERN NO.        |
|--------------|--------------|-------------------------|-------------------------|
| 8 SO         | S8+10F       | <a href="#">21-0041</a> | <a href="#">90-0096</a> |

## Revision History

| REVISION NUMBER | REVISION DATE | DESCRIPTION  | PAGES CHANGED |
|-----------------|---------------|--|---------------|
| 1               | 5/14          | Added lead(Pb)-free OPNs to <i>Ordering Information</i> and rebranded data sheet | 1–12          |

For pricing, delivery, and ordering information, please contact Maxim Direct at 1-888-629-4642, or visit Maxim Integrated's website at [www.maximintegrated.com](http://www.maximintegrated.com).

*Maxim Integrated cannot assume responsibility for use of any circuitry other than circuitry entirely embodied in a Maxim Integrated product. No circuit patent licenses are implied. Maxim Integrated reserves the right to change the circuitry and specifications without notice at any time. The parametric values (min and max limits) shown in the Electrical Characteristics table are guaranteed. Other parametric values quoted in this data sheet are provided for guidance.*

## Looking for pricing, stock, or lifecycle information?

Click below to explore more details on WIN SOURCE:

 [View MAX1659ESA+T on WIN SOURCE](#)

 [Maxim Integrated](#) Information

## Optimize Your Supply Chain with WIN SOURCE Solutions

-  Global Sourcing Solution
-  Obsolete Management
-  Cost Control Management
-  Shortage Management
-  Alternative Solution
-  Excess Inventory Management