



**THE DATASHEET OF  
MAX1779EUE+T**





# Low-Power Triple-Output TFT LCD DC-DC Converter

MAX1779

## General Description

The MAX1779 triple-output DC-DC converter provides highly efficient regulated voltages required by small active matrix, thin-film transistor (TFT) liquid-crystal displays (LCDs). One high-power DC-DC converter and two low-power charge pumps convert the +2.7V to +5.5V input supply voltage into three independent output voltages.

The primary high-power DC-DC converter generates a boosted output voltage ( $V_{MAIN}$ ) up to 13V that is regulated within  $\pm 1\%$ . The low-power BiCMOS control circuitry and the low on-resistance ( $1\Omega$ ) of the integrated power MOSFET allows efficiency up to 91%. The 250kHz current-mode pulse-width modulation (PWM) architecture provides fast transient response and allows the use of ultra-small inductors and ceramic capacitors.

The dual charge pumps independently regulate one positive output ( $V_{POS}$ ) and one negative output ( $V_{NEG}$ ). These low-power outputs use external diode and capacitor stages (as many stages as required) to regulate output voltages up to +40V and down to -40V. A proprietary regulation algorithm minimizes output ripple, as well as capacitor sizes for both charge pumps.

The MAX1779 is available in the ultra-thin TSSOP package (1.1mm max height).

## Features

- ◆ Three Integrated DC-DC Converters
- ◆ 250kHz Current-Mode PWM Boost Regulator
  - Up to +13V Main High-Power Output
  - $\pm 1\%$  Accuracy
  - High Efficiency (91%)
- ◆ Dual Charge-Pump Outputs
  - Up to +40V Positive Charge-Pump Output
  - Down to -40V Negative Charge-Pump Output
- ◆ Internal Supply Sequencing
- ◆ Internal Power MOSFETs
- ◆ +2.7V to +5.5V Input Supply
- ◆ 0.1 $\mu$ A Shutdown Current
- ◆ 0.5mA Quiescent Current
- ◆ Internal Soft-Start
- ◆ Power-Ready Output
- ◆ Ultra-Small External Components
- ◆ Thin TSSOP Package (1.1mm max)

## Ordering Information

PART	TEMP RANGE	PIN-PACKAGE
MAX1779EUE	-40°C to +85°C	16 TSSOP
MAX1779EUE+	-40°C to +85°C	16 TSSOP

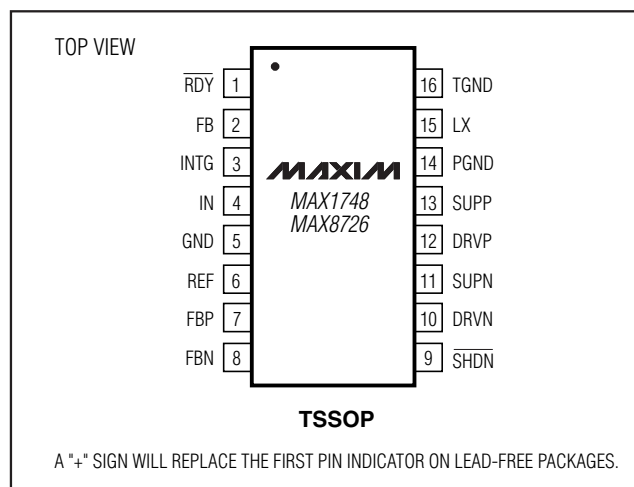
+ Denotes lead-free package.

## Applications

TFT Active-Matrix LCD Displays  
 Passive-Matrix LCD Displays  
 PDAs  
 Digital-Still Cameras  
 Camcorders

Typical Operating Circuit appears at end of data sheet.

## Pin Configuration



# Low-Power Triple-Output TFT LCD DC-DC Converter

## ABSOLUTE MAXIMUM RATINGS

IN, $\overline{\text{SHDN}}$ , TGND to GND	-0.3V to +6V
DRVN to GND	-0.3V to ( $V_{\text{SUPN}} + 0.3\text{V}$ )
DRVP to GND	-0.3V to ( $V_{\text{SUPP}} + 0.3\text{V}$ )
PGND to GND	$\pm 0.3\text{V}$
$\overline{\text{RDY}}$ to GND	-0.3V to +14V
LX, SUPP, SUPN to PGND	-0.3V to +14V
INTG, REF, FB, FBN, FBP to GND	-0.3V to ( $V_{\text{IN}} + 0.3\text{V}$ )

Continuous Power Dissipation ( $T_A = +70^\circ\text{C}$ )	16-Pin TSSOP (derate 9.4mW/ $^\circ\text{C}$ above $+70^\circ\text{C}$ )	755mW
Operating Temperature Range	MAX1779EUE	-40 $^\circ\text{C}$ to +85 $^\circ\text{C}$
Junction Temperature		+150 $^\circ\text{C}$
Storage Temperature Range		-65 $^\circ\text{C}$ to +150 $^\circ\text{C}$
Lead Temperature (soldering, 10s)		+300 $^\circ\text{C}$

Stresses beyond those listed under "Absolute Maximum Ratings" may cause permanent damage to the device. These are stress ratings only, and functional operation of the device at these or any other conditions beyond those indicated in the operational sections of the specifications is not implied. Exposure to absolute maximum rating conditions for extended periods may affect device reliability.

## ELECTRICAL CHARACTERISTICS

( $V_{\text{IN}} = +3.0\text{V}$ ,  $\overline{\text{SHDN}} = \text{IN}$ ,  $V_{\text{SUPP}} = V_{\text{SUPN}} = +10\text{V}$ , TGND = PGND = GND,  $C_{\text{REF}} = 0.22\mu\text{F}$ ,  $C_{\text{INTG}} = 2200\text{pF}$ ,  $T_A = 0^\circ\text{C}$  to +85 $^\circ\text{C}$ , unless otherwise noted. Typical values are at  $T_A = +25^\circ\text{C}$ .)

PARAMETER	SYMBOL	CONDITIONS	MIN	TYP	MAX	UNITS
Input Supply Range	$V_{\text{IN}}$		2.7		5.5	V
Input Undervoltage Threshold	$V_{\text{UVLO}}$	$V_{\text{IN}}$ rising, 40mV hysteresis (typ)	2.2	2.4	2.6	V
IN Quiescent Supply Current	$I_{\text{IN}}$	$V_{\text{FB}} = V_{\text{FBP}} = +1.5\text{V}$ , $V_{\text{FBN}} = -0.2\text{V}$		0.5	1	mA
SUPP Quiescent Current	$I_{\text{SUPP}}$	$V_{\text{FBP}} = +1.5\text{V}$		0.25	0.55	mA
SUPN Quiescent Current	$I_{\text{SUPN}}$	$V_{\text{FBN}} = -0.1\text{V}$		0.25	0.55	mA
IN Shutdown Current		$V_{\overline{\text{SHDN}}} = 0$ , $V_{\text{IN}} = +5\text{V}$		0.1	10	$\mu\text{A}$
SUPP Shutdown Current		$V_{\overline{\text{SHDN}}} = 0$ , $V_{\text{SUPP}} = +13\text{V}$		0.1	10	$\mu\text{A}$
SUPN Shutdown Current		$V_{\overline{\text{SHDN}}} = 0$ , $V_{\text{SUPN}} = +13\text{V}$		0.1	10	$\mu\text{A}$
<b>MAIN BOOST CONVERTER</b>						
Output Voltage Range	$V_{\text{MAIN}}$		$V_{\text{IN}}$		13	V
FB Regulation Voltage	$V_{\text{FB}}$		1.235	1.248	1.261	V
FB Input Bias Current	$I_{\text{FB}}$	$V_{\text{FB}} = +1.25\text{V}$ , INTG = GND	-50		50	nA
Operating Frequency	$f_{\text{OSC}}$		212	250	288	kHz
Oscillator Maximum Duty Cycle			79	85	92	%
Load Regulation		$I_{\text{MAIN}} = 0$ to 50mA, $V_{\text{MAIN}} = +5\text{V}$		0.1		%
Line Regulation				0.1		%/V
Integrator Gm				320		$\mu\text{s}$
LX Switch On-Resistance	$R_{\text{LX(ON)}}$	$I_{\text{LX}} = 100\text{mA}$		1.0	2.0	$\Omega$
LX Leakage Current	$I_{\text{LX}}$	$V_{\text{LX}} = +13\text{V}$		0.01	20	$\mu\text{A}$
LX Current Limit	$I_{\text{LIM}}$		350	450	650	mA
Maximum RMS LX Current				250		mA
FB Fault Trip Level		Falling edge	1.07	1.1	1.14	V
<b>POSITIVE CHARGE PUMP</b>						
$V_{\text{SUPP}}$ Input Supply Range	$V_{\text{SUPP}}$		2.7		13	V

# Low-Power Triple-Output TFT LCD DC-DC Converter

MAX1779

## ELECTRICAL CHARACTERISTICS (continued)

( $V_{IN} = +3.0V$ ,  $\overline{SHDN} = IN$ ,  $V_{SUPP} = V_{SUPN} = +10V$ ,  $TGND = PGND = GND$ ,  $C_{REF} = 0.22\mu F$ ,  $C_{INTG} = 2200pF$ ,  $T_A = 0^\circ C$  to  $+85^\circ C$ , unless otherwise noted. Typical values are at  $T_A = +25^\circ C$ .)

PARAMETER	SYMBOL	CONDITIONS	MIN	TYP	MAX	UNITS
Operating Frequency				$0.5 \times f_{OSC}$		Hz
FBP Regulation Voltage	$V_{FBP}$		1.20	1.25	1.30	V
FBP Input Bias Current	$I_{FBP}$	$V_{FBP} = +1.5V$	-50		50	nA
DRVP PCH On-Resistance				3	10	$\Omega$
DRVP NCH On-Resistance		$V_{FBP} = +1.200V$		1.5	5	$\Omega$
		$V_{FBP} = +1.300V$	20			k $\Omega$
FBP Power-Ready Trip Level		Rising edge	1.09	1.13	1.16	V
FBP Fault Trip Level		Falling edge		1.11		V
Maximum RMS DRVP Current				0.1		A
<b>NEGATIVE CHARGE PUMP</b>						
$V_{SUPN}$ Input Supply Range	$V_{SUPN}$		2.7		13	V
Operating Frequency				$0.5 \times f_{OSC}$		Hz
FBN Regulation Voltage	$V_{FBN}$		-50	0	50	mV
FBN Input Bias Current	$I_{FBN}$	$V_{FBN} = -0.05V$	-50		50	nA
DRVN PCH On-Resistance				3	10	$\Omega$
DRVN NCH On-Resistance		$V_{FBN} = +0.050V$		1.5	5	$\Omega$
		$V_{FBN} = -0.050V$	20			k $\Omega$
FBN Power-Ready Trip Level		Falling edge	80	120	165	mV
FBN Fault Trip Level		Rising edge		140		mV
Maximum RMS DRVN Current				0.1		A
<b>REFERENCE</b>						
Reference Voltage	$V_{REF}$	$-2\mu A < I_{REF} < 50\mu A$	1.231	1.25	1.269	V
Reference Undervoltage Threshold		$V_{REF}$ rising	0.9	1.05	1.2	V
<b>LOGIC SIGNALS</b>						
$\overline{SHDN}$ Input Low Voltage		0.25V hysteresis (typ)			0.9	V
$\overline{SHDN}$ Input High Voltage			2.1			V
$\overline{SHDN}$ Input Current	$I_{\overline{SHDN}}$			0.01	1	$\mu A$
$\overline{RDY}$ Output Low Voltage		$I_{SINK} = 2mA$		0.25	0.5	V
$\overline{RDY}$ Output High Voltage		$V_{\overline{RDY}} = +13V$		0.01	1	$\mu A$

# Low-Power Triple-Output TFT LCD DC-DC Converter

## ELECTRICAL CHARACTERISTICS

( $V_{IN} = +3.0V$ ,  $\overline{SHDN} = IN$ ,  $V_{SUPP} = V_{SUPN} = +10V$ ,  $TGND = PGND = GND$ ,  $C_{REF} = 0.22\mu F$ ,  $C_{INTG} = 2200pF$ ,  $T_A = -40^{\circ}C$  to  $+85^{\circ}C$ , unless otherwise noted.) (Note 1)

PARAMETER	SYMBOL	CONDITIONS	MIN	MAX	UNITS
Input Supply Range	$V_{IN}$		2.7	5.5	V
Input Undervoltage Threshold	$V_{UVLO}$	$V_{IN}$ rising, 40mV hysteresis (typ)	2.2	2.6	V
IN Quiescent Supply Current	$I_{IN}$	$V_{FB} = V_{FBP} = +1.5V$ , $V_{FBN} = -0.2V$		1	mA
SUPP Quiescent Current	$I_{SUPP}$	$V_{FBP} = +1.5V$		0.55	mA
SUPN Quiescent Current	$I_{SUPN}$	$V_{FBN} = -0.1V$		0.55	mA
IN Shutdown Current		$V_{SHDN} = 0$ , $V_{IN} = +5V$		10	$\mu A$
SUPP Shutdown Current		$V_{SHDN} = 0$ , $V_{SUPP} = +13V$		10	$\mu A$
SUPN Shutdown Current		$V_{SHDN} = 0$ , $V_{SUPN} = +13V$		10	$\mu A$
<b>MAIN BOOST CONVERTER</b>					
Output Voltage Range	$V_{MAIN}$		$V_{IN}$	13	V
FB Regulation Voltage	$V_{FB}$		1.225	1.271	V
FB Input Bias Current	$I_{FB}$	$V_{FB} = +1.25V$ , $INTG = GND$	-50	50	nA
Operating Frequency	$f_{OSC}$		195	305	kHz
Oscillator Maximum Duty Cycle			79	92	%
LX Switch On-Resistance	$R_{LX(ON)}$	$I_{LX} = 100mA$		2.0	$\Omega$
LX Leakage Current	$I_{LX}$	$V_{LX} = +13V$		20	$\mu A$
LX Current Limit	$I_{LIM}$		350	700	mA
FB Fault Trip Level		Falling edge	1.07	1.14	V
<b>POSITIVE CHARGE PUMP</b>					
SUPP Input Supply Range	$V_{SUPP}$		2.7	13	V
FBP Regulation Voltage	$V_{FBP}$		1.20	1.30	V
FBP Input Bias Current	$I_{FBP}$	$V_{FBP} = +1.5V$	-50	50	nA
DRV PCH On-Resistance				10	$\Omega$
DRV NCH On-Resistance		$V_{FBP} = +1.200V$		5	$\Omega$
		$V_{FBP} = +1.300V$	20		k $\Omega$
FBP Power-Ready Trip Level		Rising edge	1.09	1.16	V
<b>NEGATIVE CHARGE PUMP</b>					
SUPN Input Supply Range	$V_{SUPN}$		2.7	13	V
FBN Regulation Voltage	$V_{FBN}$		-50	50	mV
FBN Input Bias Current	$I_{FBN}$	$V_{FBN} = -0.05V$	-50	50	nA
DRVN PCH On-Resistance				10	$\Omega$
DRVN NCH On-Resistance		$V_{FBN} = +0.050V$		5	$\Omega$
		$V_{FBN} = -0.050V$	20		k $\Omega$
FBN Power-Ready Trip Level		Falling edge	80	165	mV
<b>REFERENCE</b>					
Reference Voltage	$V_{REF}$	$-2\mu A < I_{REF} < 50\mu A$	1.223	1.269	V
Reference Undervoltage		$V_{REF}$ rising	0.9	1.2	V

# Low-Power Triple-Output TFT LCD DC-DC Converter

MAX1779

## ELECTRICAL CHARACTERISTICS (continued)

( $V_{IN} = +3.0V$ ,  $\overline{SHDN} = IN$ ,  $V_{SUPP} = V_{SUPN} = +10V$ ,  $TGND = PGND = GND$ ,  $C_{REF} = 0.22\mu F$ ,  $C_{INTG} = 2200pF$ ,  $T_A = -40^\circ C$  to  $+85^\circ C$ , unless otherwise noted.) (Note 1)

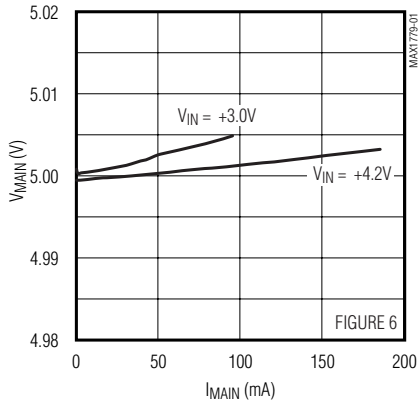
PARAMETER	SYMBOL	CONDITIONS	MIN	MAX	UNITS
<b>LOGIC SIGNALS</b>					
$\overline{SHDN}$ Input Low Voltage		0.25V hysteresis (typ)		0.9	V
$\overline{SHDN}$ Input High Voltage			2.1		V
$\overline{SHDN}$ Input Current	$I_{\overline{SHDN}}$			1	$\mu A$
$\overline{RDY}$ Output Low Voltage		$I_{SINK} = 2mA$		0.5	V
$\overline{RDY}$ Output High Leakage		$V_{\overline{RDY}} = +13V$		1	$\mu A$

**Note 1:** Specifications to  $-40^\circ C$  are guaranteed by design, not production tested.

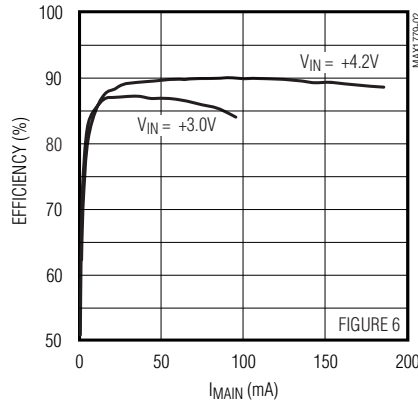
## Typical Operating Characteristics

(Circuit of Figure 5,  $V_{IN} = +3.3V$ ,  $T_A = +25^\circ C$ , unless otherwise noted.)

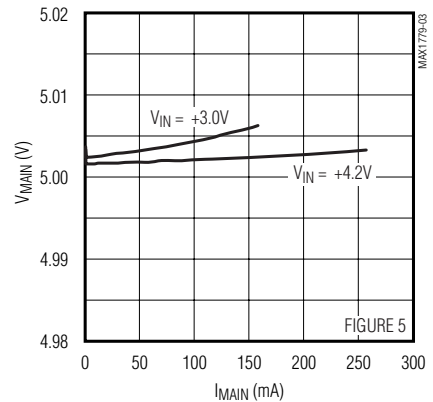
**MAIN OUTPUT VOLTAGE vs. LOAD CURRENT**  
( $L = 10\mu H$ , 5V OUTPUT)



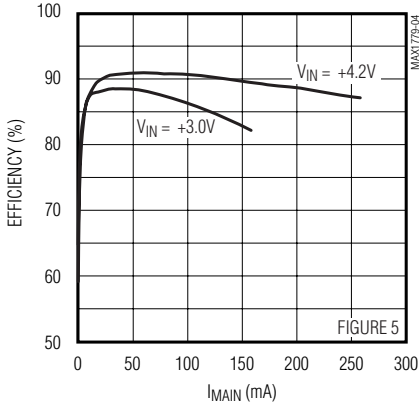
**MAIN STEP-UP CONVERTER EFFICIENCY vs. LOAD CURRENT**  
( $L = 10\mu H$ , 5V OUTPUT)



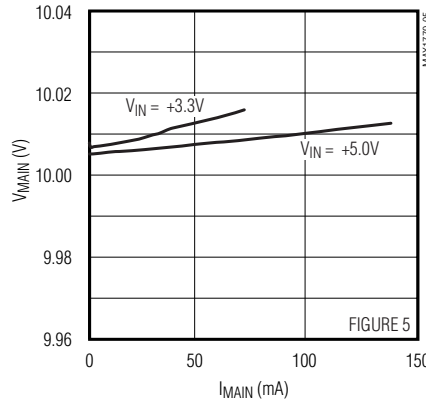
**MAIN OUTPUT VOLTAGE vs. LOAD CURRENT**  
( $L = 33\mu H$ , 5V OUTPUT)



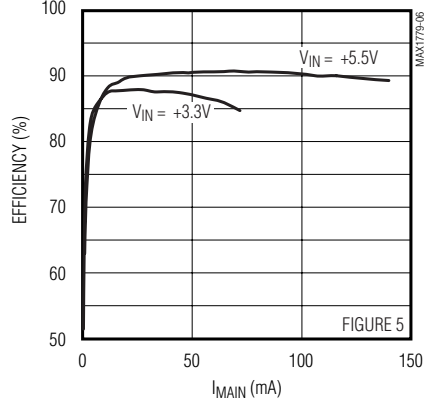
**MAIN STEP-UP CONVERTER EFFICIENCY vs. LOAD CURRENT**  
( $L = 33\mu H$ , 5V OUTPUT)



**MAIN OUTPUT VOLTAGE vs. LOAD CURRENT**  
( $L = 33\mu H$ , 10V OUTPUT)



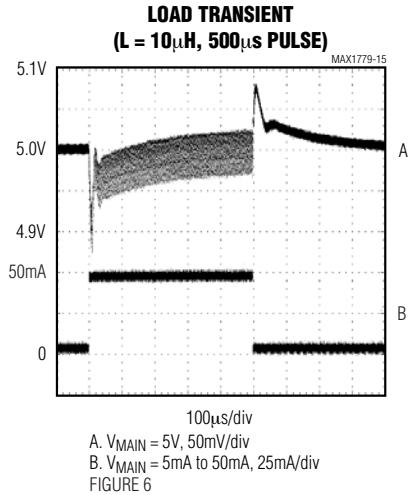
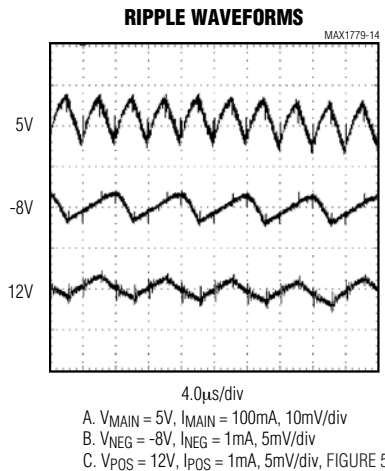
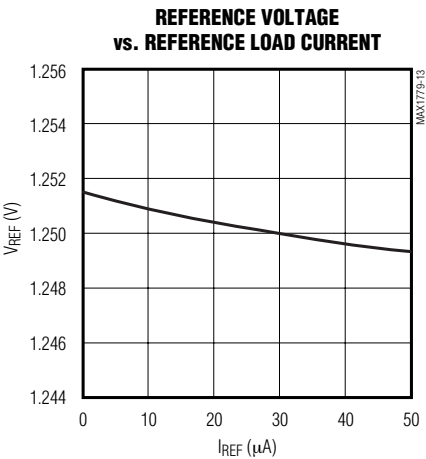
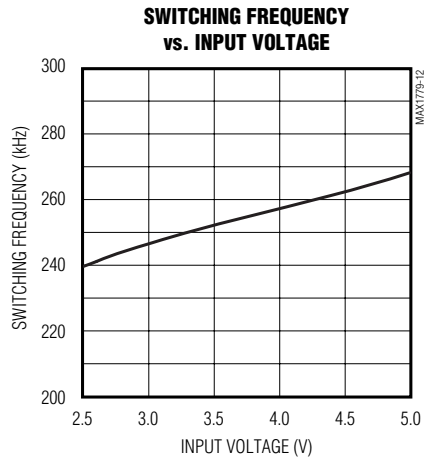
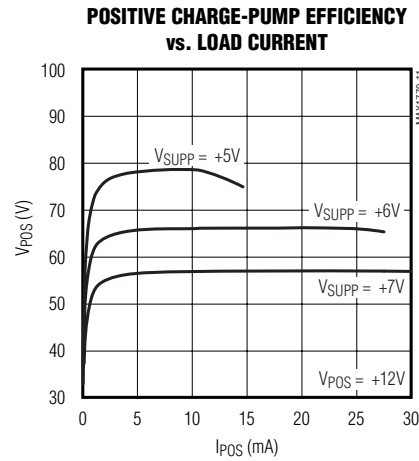
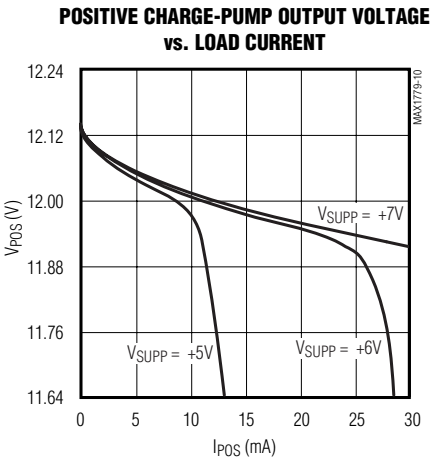
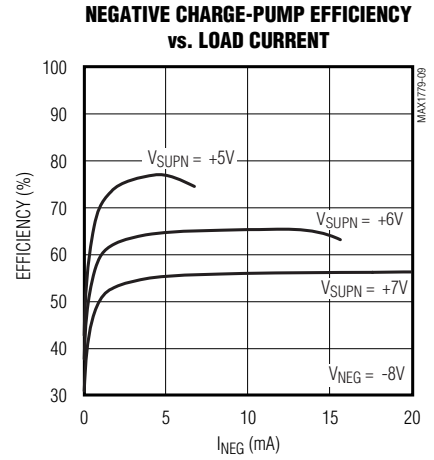
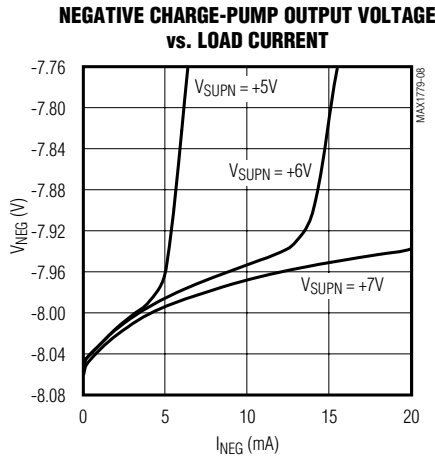
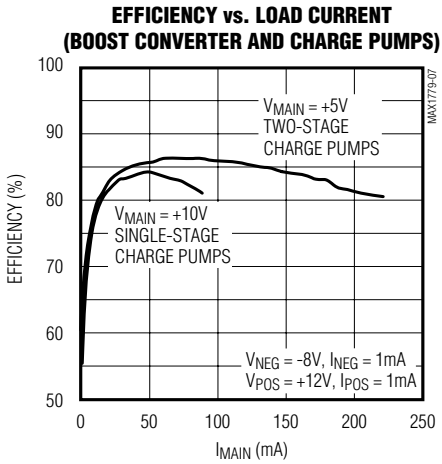
**MAIN STEP-UP CONVERTER EFFICIENCY vs. LOAD CURRENT**  
( $L = 33\mu H$ , 10V OUTPUT)



# Low-Power Triple-Output TFT LCD DC-DC Converter

## Typical Operating Characteristics (continued)

(Circuit of Figure 5,  $V_{IN} = +3.3V$ ,  $T_A = +25^\circ C$ , unless otherwise noted.)



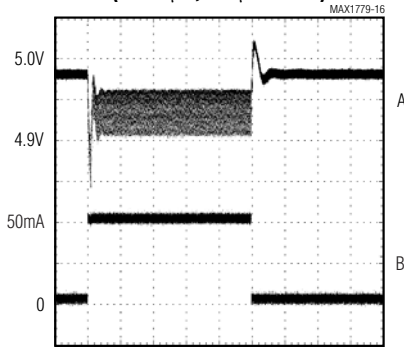
# Low-Power Triple-Output TFT LCD DC-DC Converter

MAX1779

## Typical Operating Characteristics (continued)

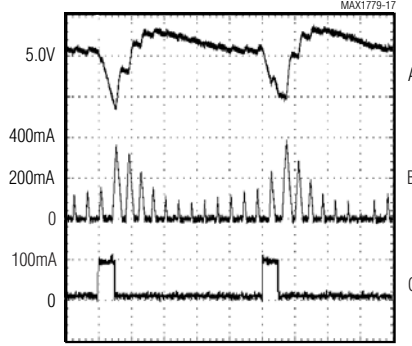
(Circuit of Figure 5,  $V_{IN} = +3.3V$ ,  $T_A = +25^\circ C$ , unless otherwise noted.)

**LOAD TRANSIENT WITHOUT INTEGRATOR  
(L = 10 $\mu$ H, 500 $\mu$ S PULSE)**



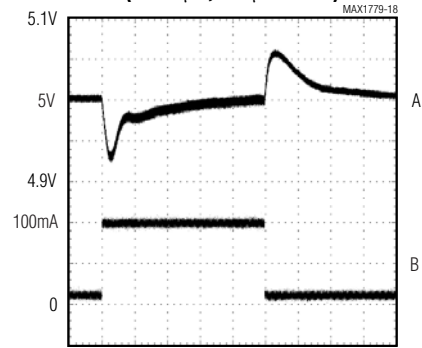
100 $\mu$ s/div  
A.  $V_{MAIN} = 5V$ , 50mV/div  
B.  $V_{MAIN} = 5mA$  to 50mA, 25mA/div  
INTG = REF, FIGURE 6

**LOAD TRANSIENT WITHOUT INTEGRATOR  
(L = 10 $\mu$ H, 5 $\mu$ S PULSE)**



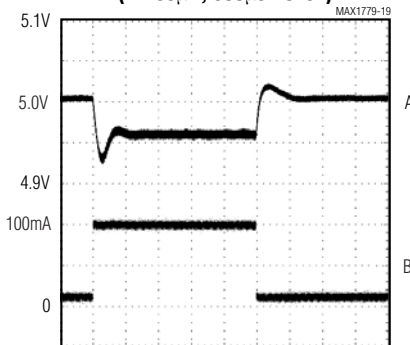
10 $\mu$ s/div  
A.  $V_{MAIN} = 5V$ , 100mV/div  
B.  $I_L$ , 200mA/div  
C.  $I_{MAIN} = 10mA$  to 100mA, 100mA/div  
INTG = REF, FIGURE 6

**LOAD TRANSIENT  
(L = 33 $\mu$ H, 500 $\mu$ S PULSE)**



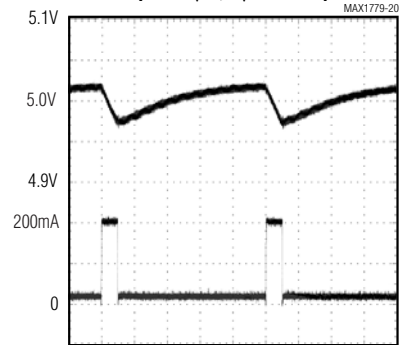
100 $\mu$ s/div  
A.  $V_{MAIN} = 5V$ , 50mV/div  
B.  $I_{MAIN} = 10mA$  to 100mA, 50mA/div  
FIGURE 5

**LOAD TRANSIENT WITHOUT INTEGRATOR  
(L = 33 $\mu$ H, 500 $\mu$ S PULSE)**



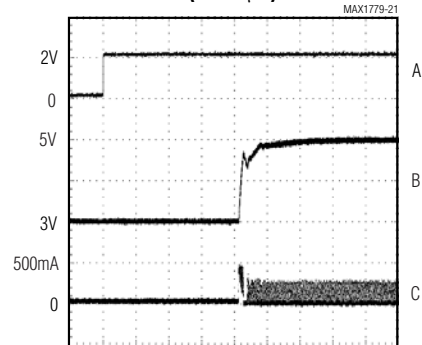
100 $\mu$ s/div  
A.  $V_{MAIN} = 5V$ , 50mV/div  
B.  $I_{MAIN} = 10mA$  to 100mA, 50mA/div  
INTG = REF, FIGURE 5

**LOAD TRANSIENT  
(L = 33 $\mu$ H, 5 $\mu$ S PULSE)**



10 $\mu$ s/div  
A.  $V_{MAIN} = 5V$ , 50mV/div  
B.  $I_{MAIN} = 20mA$  to 200mA, 100mA/div  
FIGURE 5

**STARTUP WAVEFORM  
(L = 10 $\mu$ H)**

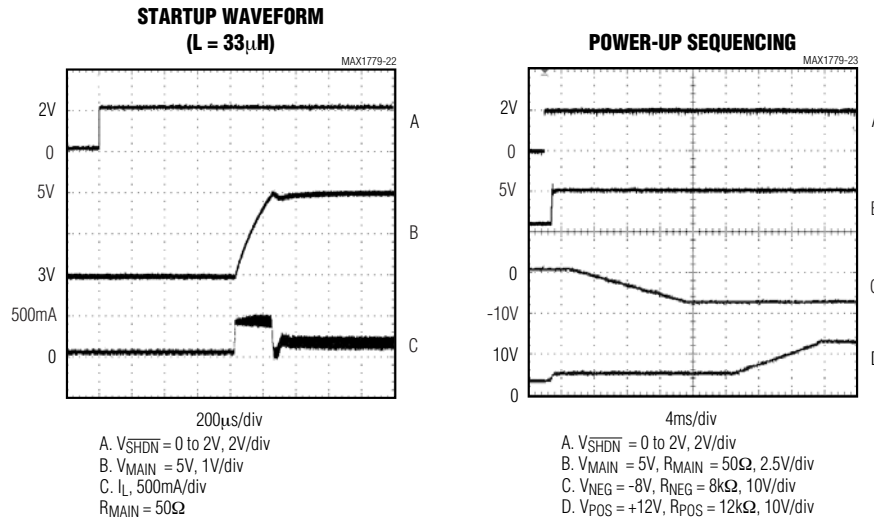


200 $\mu$ s/div  
A.  $V_{SHDN} = 0$  to 2V, 2V/div  
B.  $V_{MAIN} = 5V$ , 1V/div  
C.  $I_L$ , 500 mA/div  
FIGURE 6,  $R_{MAIN} = 100\Omega$

# Low-Power Triple-Output TFT LCD DC-DC Converter

## Typical Operating Characteristics (continued)

(Circuit of Figure 5,  $V_{IN} = +3.3V$ ,  $T_A = +25^\circ C$ , unless otherwise noted.)



## Pin Description

PIN	NAME	FUNCTION
1	$\overline{RDY}$	Active-Low Open-Drain Output. Indicates all outputs are ready. The on-resistance is 125 $\Omega$ (typ).
2	FB	Main Boost Regulator Feedback Input. Regulates to 1.25V nominal. Connect feedback resistive divider to analog ground (GND).
3	INTG	Main Boost Integrator Output. If used, connect 2200pF to analog ground (GND). To disable integrator, connect to REF.
4	IN	Supply Input. +2.7V to +5.5V input range. Bypass with a 0.1 $\mu F$ capacitor between IN and GND, as close to the pins as possible.
5	GND	Analog Ground. Connect to power ground (PGND) underneath the IC.
6	REF	Internal Reference Bypass Terminal. Connect a 0.22 $\mu F$ capacitor from this terminal to analog ground (GND). External load capability to 50 $\mu A$ .
7	FBP	Positive Charge-Pump Regulator Feedback Input. Regulates to 1.25V nominal. Connect feedback resistive divider to analog ground (GND).
8	FBN	Negative Charge-Pump Regulator Feedback Input. Regulates to 0V nominal.
9	$\overline{SHDN}$	Active-Low Logic-Level Shutdown Input. Connect $\overline{SHDN}$ to IN for normal operation.

# Low-Power Triple-Output TFT LCD DC-DC Converter

MAX1779

## Pin Description (continued)

PIN	NAME	FUNCTION
10	DRVN	Negative Charge-Pump Driver Output. Output high level is $V_{SUPN}$ , and low level is PGND.
11	SUPN	Negative Charge-Pump Driver Supply Voltage. Bypass to PGND with a 0.1 $\mu$ F capacitor.
12	DRVP	Positive Charge-Pump Driver Output. Output high level is $V_{SUPP}$ , and low level is PGND.
13	SUPP	Positive Charge-Pump Driver Supply Voltage. Bypass to PGND with a 0.1 $\mu$ F capacitor.
14	PGND	Power Ground. Connect to GND underneath the IC.
15	LX	Main Boost Regulator Power MOSFET N-Channel Drain. Connect output diode and output capacitor as close to PGND as possible.
16	TGND	Must be connected to ground.

## Detailed Description

The MAX1779 is a highly efficient triple-output power supply for TFT LCD applications. The device contains one high-power step-up converter and two low-power charge pumps. The primary boost converter uses an internal N-channel MOSFET to provide maximum efficiency and to minimize the number of external components. The output voltage of the main boost converter ( $V_{MAIN}$ ) can be set from  $V_{IN}$  to 13V with external resistors.

The dual charge pumps independently regulate a positive output ( $V_{POS}$ ) and a negative output ( $V_{NEG}$ ). These low-power outputs use external diode and capacitor stages (as many stages as required) to regulate output voltages up to +40V and down to -40V. A proprietary regulation algorithm minimizes output ripple as well as capacitor sizes for both charge pumps.

Also included in the MAX1779 are a precision 1.25V reference that sources up to 50 $\mu$ A, logic shutdown, soft-start, power-up sequencing, fault detection, and an active-low open-drain ready output.

### Main Boost Converter

The MAX1779 main step-up converter switches at a constant 250kHz internal oscillator frequency to allow the use of small inductors and output capacitors. The MOSFET switch pulse width is modulated to control the power transferred on each switching cycle and to regulate the output voltage.

During PWM operation, the internal clock's rising edge sets a flip-flop, which turns on the N-channel MOSFET (Figure 1). The switch turns off when the voltage-error, slope-compensation, and current-feedback signals trip the comparators and reset the flip-flop. The switch remains off for the rest of the clock cycle. Changes in

the output voltage error signal shift the switch current trip level, consequently modulating the MOSFET duty cycle.

### Dual Charge-Pump Regulator

The MAX1779 contains two individual low-power charge pumps. One charge pump inverts the supply voltage (SUPN) and provides a regulated negative output voltage. The second charge pump doubles the supply voltage (SUPP) and provides a regulated positive output voltage. The MAX1779 contains internal P-channel and N-channel MOSFETs to control the power transfer. The internal MOSFETs switch at a constant 125kHz ( $0.5 \times f_{OSC}$ ).

### Negative Charge Pump

During the first half-cycle, the P-channel MOSFET turns on and the flying capacitor C5 charges to  $V_{SUPN}$  minus a diode drop (Figure 2). During the second half-cycle, the P-channel MOSFET turns off, and the N-channel MOSFET turns on, level shifting C5. This connects C5 in parallel with the reservoir capacitor C6. If the voltage across C6 minus a diode drop is lower than the voltage across C5, charge flows from C5 to C6 until the diode (D5) turns off. The amount of charge transferred to the output is controlled by the variable N-channel on-resistance.

### Positive Charge Pump

During the first half-cycle, the N-channel MOSFET turns on and charges the flying capacitor C3 (Figure 3). This initial charge is controlled by the variable N-channel on-resistance. During the second half-cycle, the N-channel MOSFET turns off and the P-channel MOSFET turns on, level shifting C3 by  $V_{SUPP}$  volts. This connects C3 in parallel with the reservoir capacitor C4. If the voltage across C4 plus a diode drop ( $V_{POS} + V_{DIODE}$ ) is smaller than the level-shifted flying capacitor voltage

# Low-Power Triple-Output TFT LCD DC-DC Converter

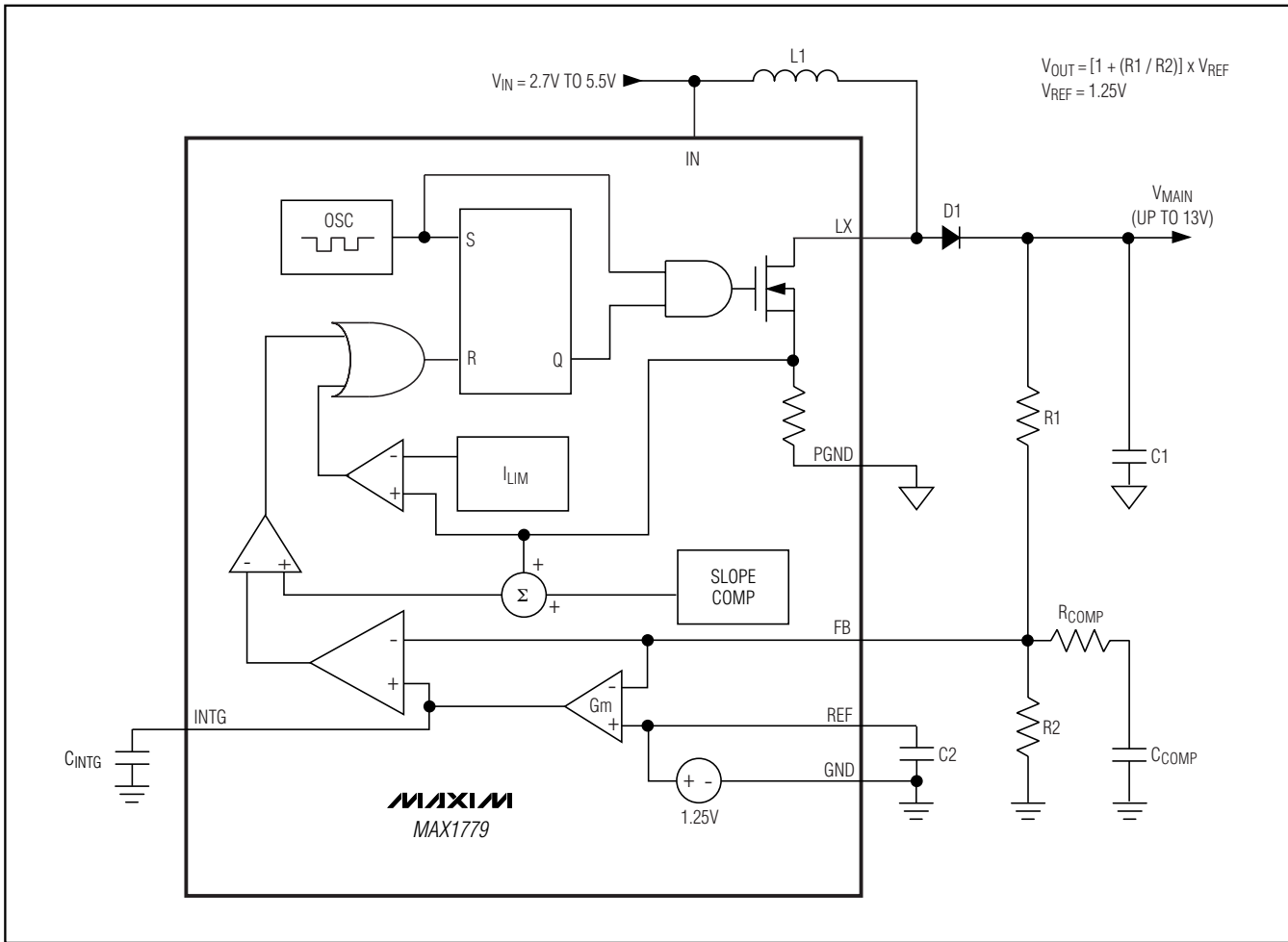


Figure 1. PWM Boost Converter Block Diagram

( $V_{C3} + V_{SUPP}$ ), charge flows from C3 to C4 until the diode (D3) turns off.

### Soft-Start

The main boost regulator does not have soft-start.

For the charge pumps, soft-start is achieved by controlling the rise rate of the output voltage. The output voltage regulates within 16ms, regardless of output capacitance and load, limited only by the regulator's output impedance (see the Startup Waveforms in the *Typical Operating Characteristics*).

### Shutdown

A logic-low level on  $\overline{SHDN}$  disables all three MAX1779 converters and the reference. When shut down, the supply current drops to 0.1 $\mu$ A to maximize battery life and the reference is pulled to ground. The output

capacitance and load current determine the rate at which each output voltage will decay. A logic-level high on  $\overline{SHDN}$  activates the MAX1779 (see *Power-Up Sequencing*). Do not leave  $\overline{SHDN}$  floating. If unused, connect  $\overline{SHDN}$  to IN.

### Power-Up Sequencing

Upon power-up or exiting shutdown, the MAX1779 starts a power-up sequence. First, the reference powers up. Then the main DC-DC step-up converter powers up. Once the main boost converter reaches regulation, the negative charge pump turns on. When the negative output voltage reaches approximately 90% of its nominal value ( $V_{FBN} < 120mV$ ), the positive charge pump starts up. Finally, when the positive output voltage reaches 90% of its nominal value ( $V_{FBP} >$

# Low-Power Triple-Output TFT LCD DC-DC Converter

MAX1779

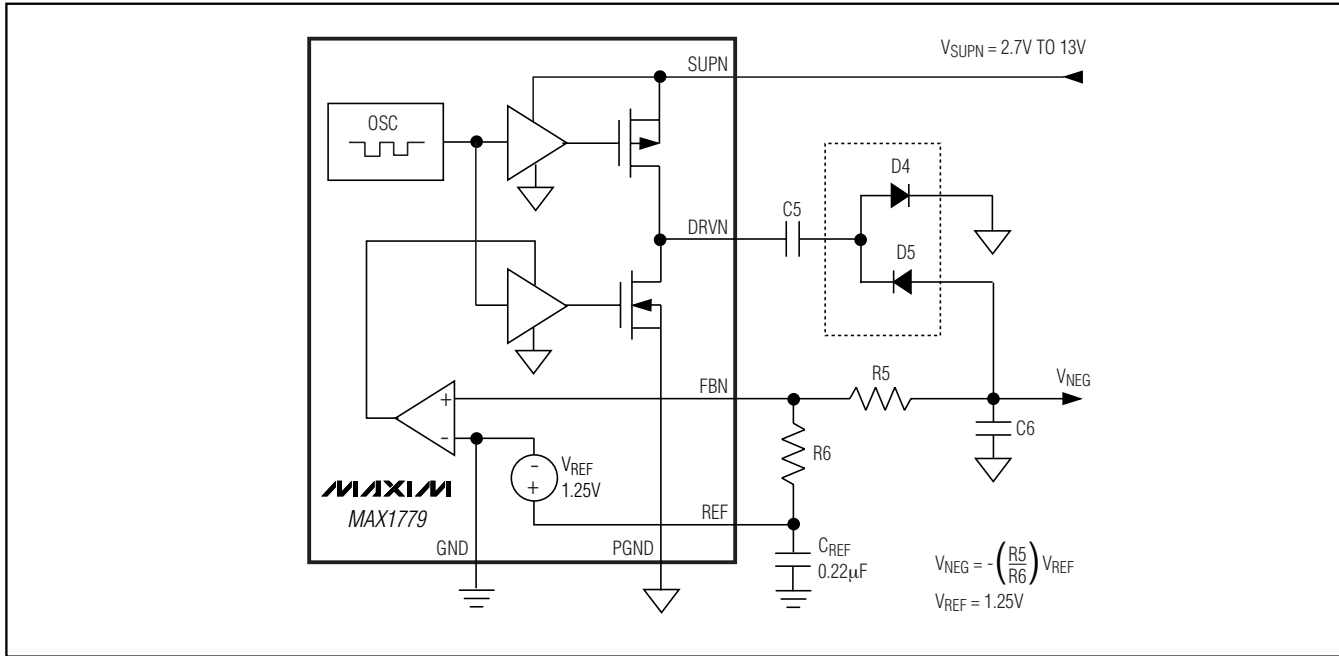


Figure 2. Negative Charge-Pump Block Diagram

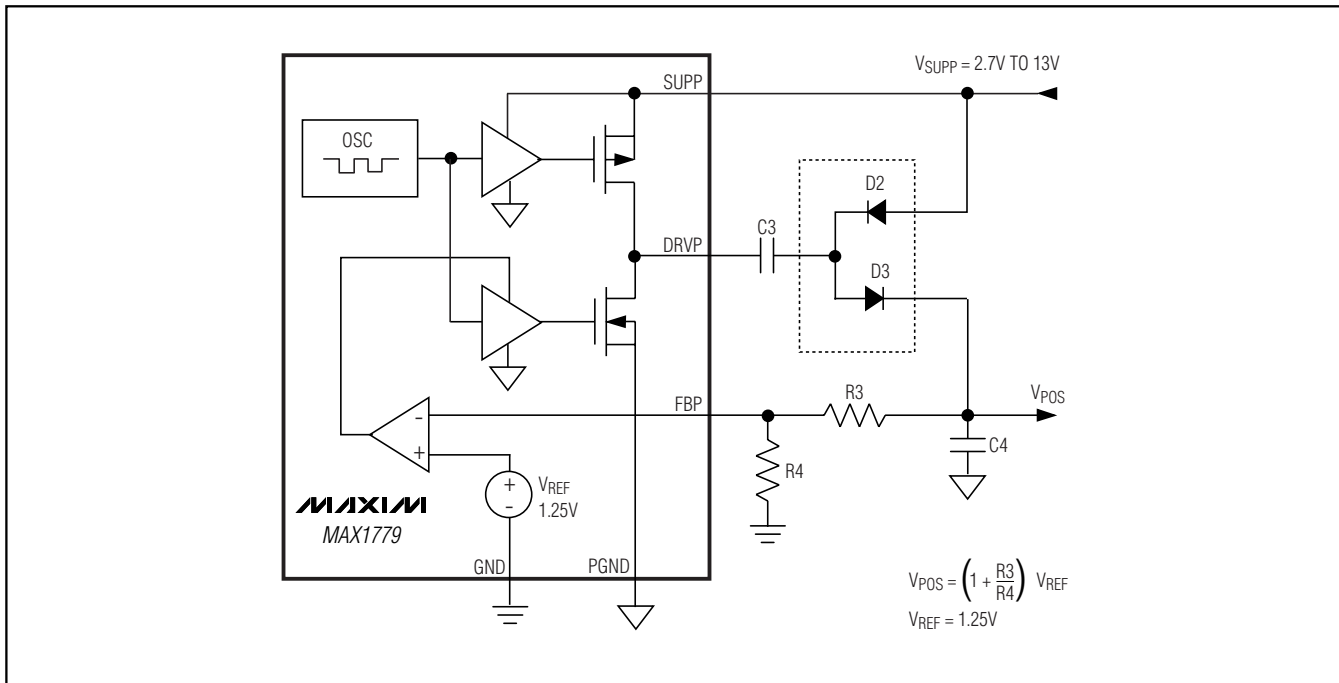


Figure 3. Positive Charge-Pump Block Diagram

# Low-Power Triple-Output TFT LCD DC-DC Converter

1.125V), the active-low ready signal ( $\overline{\text{RDY}}$ ) is pulled low (see *Power Ready* section).

## Power Ready

Power ready is an open-drain output. When the power-up sequence is properly completed, the MOSFET turns on and pulls RDY low with a typical 125Ω on-resistance. If a fault is detected, the internal open-drain MOSFET appears as a high impedance. Connect a 100kΩ pullup resistor between  $\overline{\text{RDY}}$  and IN for a logic-level output.

## Fault Detection

Once  $\overline{\text{RDY}}$  is low, if any output falls below its fault-detection threshold, then  $\overline{\text{RDY}}$  becomes high impedance.

For the reference, the fault threshold is 1.05V. For the main boost converter, the fault threshold is 88% of its nominal value ( $V_{\text{FB}} < 1.1\text{V}$ ). For the negative charge pump, the fault threshold is approximately 88% of its nominal value ( $V_{\text{FBN}} < 140\text{mV}$ ). For the positive charge pump, the fault threshold is 88% of its nominal value ( $V_{\text{FBP}} < 1.11\text{V}$ ).

Once an output faults, all outputs later in the power sequence shut down until the faulted output rises above its power-up threshold. For example, if the negative charge-pump output voltage falls below the fault detection threshold, the main boost converter remains active while the positive charge pump stops switching and its output voltage decays, depending on output capacitance and load. The positive charge-pump output will not power up until the negative charge-pump output voltage rises above its power-up threshold (see the *Power-Up Sequencing* section).

## Voltage Reference

The voltage at REF is nominally 1.25V. The reference can source up to 50μA with good load regulation (see *Typical Operating Characteristics*). Connect a 0.22μF bypass capacitor between REF and GND.

## Design Procedure

### Main Boost Converter

#### Inductor Selection

Inductor selection depends upon the minimum required inductance value, saturation rating, series resistance, and size. These factors influence the converter's efficiency, maximum output load capability, transient response time, and output voltage ripple. For most applications, values between 10μH and 33μH work best with the controller's switching frequency.

The inductor value depends on the maximum output load the application must support, input voltage, and

output voltage. With high inductor values, the MAX1779 sources higher output currents, has less output ripple, and enters continuous-conduction operation with lighter loads; however, the circuit's transient response time is slower. On the other hand, low-value inductors respond faster to transients, remain in discontinuous-conduction operation, and typically offer smaller physical size. The maximum output current an inductor value will support may be calculated by the following equations:

A. Continuous-conduction: if

$$I_{\text{MAIN(MAX)}} \geq \frac{1}{2} \left( \frac{V_{\text{IN(MIN)}}}{V_{\text{MAIN}}} \right) I_{\text{LIM(MIN)}}$$

then

$$L \geq \frac{1}{2} \left( \frac{1}{f} \right) \left( \frac{V_{\text{IN(MIN)}}}{V_{\text{MAIN}}} \right)^2 \left[ \frac{V_{\text{MAIN}} - V_{\text{IN(MIN)}}}{\left( \left( \frac{V_{\text{IN(MIN)}}}{V_{\text{MAIN}}} \right) I_{\text{LIM(MIN)}} \right) - I_{\text{MAIN(MAX)}}} \right]$$

B. Discontinuous-conduction: if

$$I_{\text{MAIN(MAX)}} < \frac{1}{2} \left( \frac{V_{\text{IN(MIN)}}}{V_{\text{MAIN}}} \right) I_{\text{LIM(MIN)}}$$

then

$$L \geq 2 \left( \frac{1}{f} \right) \left[ \frac{I_{\text{MAIN(MAX)}} (V_{\text{MAIN}} - V_{\text{IN(MIN)}})}{I_{\text{LIM(MIN)}}^2} \right]$$

where  $I_{\text{LIM(MIN)}} = 350\text{mA}$  and  $f = 250\text{kHz}$  (see the *Electrical Characteristics*).

The inductor's saturation current rating should exceed peak inductor current throughout the normal operating range. Under fault conditions, the inductor current may reach up to 600mA ( $I_{\text{LIM(MAX)}}$ , see the *Electrical Characteristics*). However, the MAX1779's fast current-limit circuitry allows the use of soft-saturation inductors while still protecting the IC.

The inductor's DC resistance significantly affects efficiency due to the power loss in the inductor. The power loss due to the inductor's series resistance ( $P_{\text{LR}}$ ) may be approximated by the following equation:

$$P_{\text{LR}} \approx \left( \frac{I_{\text{MAIN}} \times V_{\text{MAIN}}}{V_{\text{IN}}} \right)^2 \times R_L$$

# Low-Power Triple-Output TFT LCD DC-DC Converter

where  $R_L$  is the inductor's series resistance. For best performance, select inductors with resistance less than the internal N-channel MOSFET on-resistance ( $1\Omega$  typ).

## Output Capacitor

The output capacitor selection depends on circuit stability and output voltage ripple. In order to deliver the maximum output current capability of the MAX1779, the inductor must run in continuous-conduction mode (see *Inductor Selection*). The minimum recommended output capacitance is:

$$C_{OUT} > \frac{60 \times L \times I_{MAIN(MAX)}}{V_{MAIN} \times V_{IN(MIN)}}$$

For configurations that need less output current, the MAX1779 allows lower output capacitance when operating in discontinuous-conduction mode throughout the load range. Under these conditions, at least  $10\mu\text{F}$  is recommended, as shown in Figure 6. In both discontinuous and continuous operation, additional feedback compensation is required (see the *Feedback Compensation* section) to increase the margin for stability by reducing the bandwidth further. In cases where the output capacitance is sufficiently large, additional feedback compensation will not be necessary. However, in certain applications that require benign load transients and constantly operate in discontinuous-conduction mode, output capacitance less than  $10\mu\text{F}$  may be used.

Output voltage ripple has two components: variations in the charge stored in the output capacitor with each LX pulse, and the voltage drop across the capacitor's equivalent series resistance (ESR) caused by the current into and out of the capacitor:

$$V_{RIPPLE} = V_{RIPPLE(C)} + V_{RIPPLE(ESR)}$$

For low-value ceramic capacitors, the output voltage ripple is dominated by  $V_{RIPPLE(C)}$ .

## Integrator Capacitor

The MAX1779 contains an internal current integrator that improves the DC load regulation but increases the peak-to-peak transient voltage (see the Load Transient Waveforms in the *Typical Operating Characteristics*). For highly accurate DC load regulation, enable the integrator by connecting a capacitor to INTG. The minimum capacitor value should be  $C_{OUT}/10k$  or  $1n\text{F}$ , whichever is greater. Alternatively, to minimize the peak-to-peak transient voltage at the expense of DC load regulation, disable the integrator by connecting INTG to REF and adding a  $100k\Omega$  resistor to GND.

## Feedback Compensation

Compensation on the feedback node is required to have enough margin for stability. Add a pole-zero pair from FB to GND in the form of a compensation resistor ( $R_{COMP}$  in Figures 5 and 6) in series with a compensation capacitor ( $C_{COMP}$  in Figures 5 and 6). For continuous conduction operation, select  $R_{COMP}$  to be  $1/2$  the value of  $R_2$ , the low-side feedback resistor. For discontinuous-conduction operation, select  $R_{COMP}$  to be  $1/5$ th the value of  $R_2$ .

Start with a compensation capacitor value of  $(220\text{pF} \times R_{COMP})/10k\Omega$ . Increase this value to improve the DC stability as necessary. Larger compensation values slow down the converter's response time. Check the startup waveform for excessive overshoot each time the compensation capacitor value is increased.

## Charge Pump

### Efficiency Considerations

The efficiency characteristics of the MAX1779 regulated charge pumps are similar to a linear regulator. They are dominated by quiescent current at low output currents and by the input voltage at higher output currents (see *Typical Operating Characteristics*). So the maximum efficiency may be approximated by:

$$\text{Efficiency} \approx |V_{NEG}| / [V_{IN} \times N];$$

for the negative charge pump

$$\text{Efficiency} \approx V_{POS} / [V_{IN} \times (N + 1)];$$

for the positive charge pump

where  $N$  is the number of charge-pump stages.

### Output Voltage Selection

Adjust the positive output voltage by connecting a voltage-divider from the output ( $V_{POS}$ ) to FBP to GND (see *Typical Operating Circuit*). Adjust the negative output voltage by connecting a voltage-divider from the output ( $V_{NEG}$ ) to FBN to REF. Select  $R_4$  and  $R_6$  in the  $50k\Omega$  to  $100k\Omega$  range. Higher resistor values improve efficiency at low output current but increase output voltage error due to the feedback input bias current. Calculate the remaining resistors with the following equations:

$$R_3 = R_4 [(V_{POS} / V_{REF}) - 1]$$

$$R_5 = R_6 (|V_{NEG}| / V_{REF})$$

where  $V_{REF} = 1.25\text{V}$ .  $V_{POS}$  may range from  $V_{SUPP}$  to  $+40\text{V}$ , and  $V_{NEG}$  may range from  $0$  to  $-40\text{V}$ .

### Flying Capacitor

Increasing the flying capacitor's value increases the output current capability. Above a certain point, increasing the capacitance has a negligible effect because the output current capability becomes domi-

# Low-Power Triple-Output TFT LCD DC-DC Converter

nated by the internal switch resistance and the diode impedance. Start with 0.1µF ceramic capacitors. Smaller values may be used for low-current applications.

## Charge-Pump Output Capacitor

Increasing the output capacitance or decreasing the ESR reduces the output ripple voltage and the peak-to-peak transient voltage. Use the following equation to approximate the required capacitor value:

$$C_{PUMP} \geq [I_{PUMP} / (125\text{kHz} \times V_{RIPPLE})]$$

## Charge-Pump Input Capacitor

Use a bypass capacitor with a value equal to or greater than the flying capacitor. Place the capacitor as close to the IC as possible. Connect directly to PGND.

## Rectifier Diode

Use Schottky diodes with a current rating equal to or greater than 4 times the average output current, and a voltage rating at least 1.5 times  $V_{SUPP}$  for the positive charge pump and  $V_{SUPN}$  for the negative charge pump.

## PC Board Layout and Grounding

Carefully printed circuit layout is extremely important to minimize ground bounce and noise. First, place the main boost converter output diode and output capacitor less than 0.2in (5mm) from the LX and PGND pins with wide traces and no vias. Then place 0.1µF ceramic bypass capacitors near the charge-pump input pins (SUPP and SUPN) to the PGND pin. Keep the charge-pump circuitry as close to the IC as possible, using wide traces and avoiding vias when possible. Locate all feedback resistive dividers as close to their respective feedback pins as possible. The PC board should feature separate GND and PGND areas connected at only one point under the IC. To maximize output power and efficiency and to minimize output power ripple voltage, use extra wide power ground traces and solder the IC's power ground pin directly to it. Avoid having sensitive traces near the switching nodes and high-current lines.

Refer to the MAX1779 evaluation kit for an example of proper board layout.

## Applications Information

### LX Charge Pump

Some applications require multiple charge-pump stages due to low supply voltages. In order to reduce the circuit's size and component count, an unregulated charge pump may be added onto the LX switching node. The configuration shown in Figure 4 works well for most applications. The maximum output current of the low-power charge pumps depends on the maxi-

mum load current that the LX charge pump can provide and is limited by the following formula:

$$I_{LXPUMP} = ((N + 1) \times I_{POS}) + (M + I_{NEG}) \leq 5\text{mA}$$

where N is the number of stages in the positive low-power charge pump, and M is the number of stages in the negative charge pump. Applications requiring more output current should not use the LX charge pump, so they will require extra stages on both low-power charge pumps. The output capacitor of this unregulated charge pump needs to be stacked on top of the main output in order to keep the main regulator stable. Increasing the integrator capacitor may also be required to compensate for the additional charge-pump capacitance on the main regulator loop.

The output capacitor of this unregulated charge pump needs to be stacked on top of the main output in order to keep the main regulator stable. Increasing the integrator capacitor may also be required to compensate for the additional charge-pump capacitance on the main regulator loop.

Table 1. Component Suppliers

SUPPLIER	PHONE	FAX
<b>INDUCTORS</b>		
Coilcraft	847-639-6400	847-639-1469
Coiltronics	561-241-7876	561-241-9339
Sumida USA	847-956-0666	847-956-0702
Toko	847-297-0070	847-699-1194
<b>CAPACITORS</b>		
AVX	803-946-0690	803-626-3123
Kemet	408-986-0424	408-986-1442
Sanyo	619-661-6835	619-661-1055
Taiyo Yuden	408-573-4150	408-573-4159
<b>DIODES</b>		
Central Semiconductor	516-435-1110	516-435-1824
International Rectifier	310-322-3331	310-322-3332
Motorola	602-303-5454	602-994-6430
Nihon	847-843-7500	847-843-2798
Zetex	516-543-7100	516-864-7630

## Chip Information

TRANSISTOR COUNT: 2846

# Low-Power Triple-Output TFT LCD DC-DC Converter

**MAX1779**

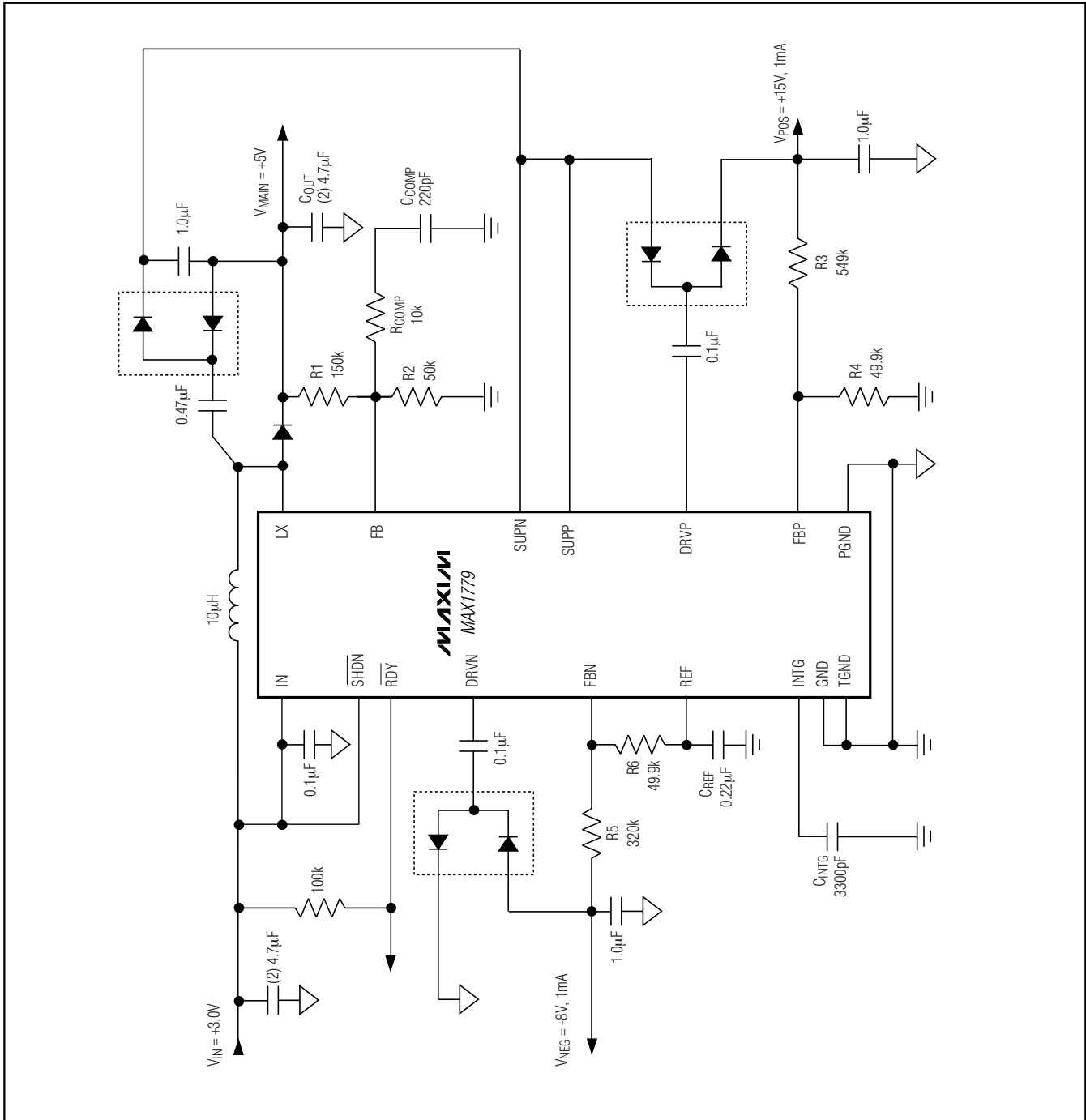


Figure 4. Minimizing the Number of Charge-Pump Stages

# Low-Power Triple-Output TFT LCD DC-DC Converter

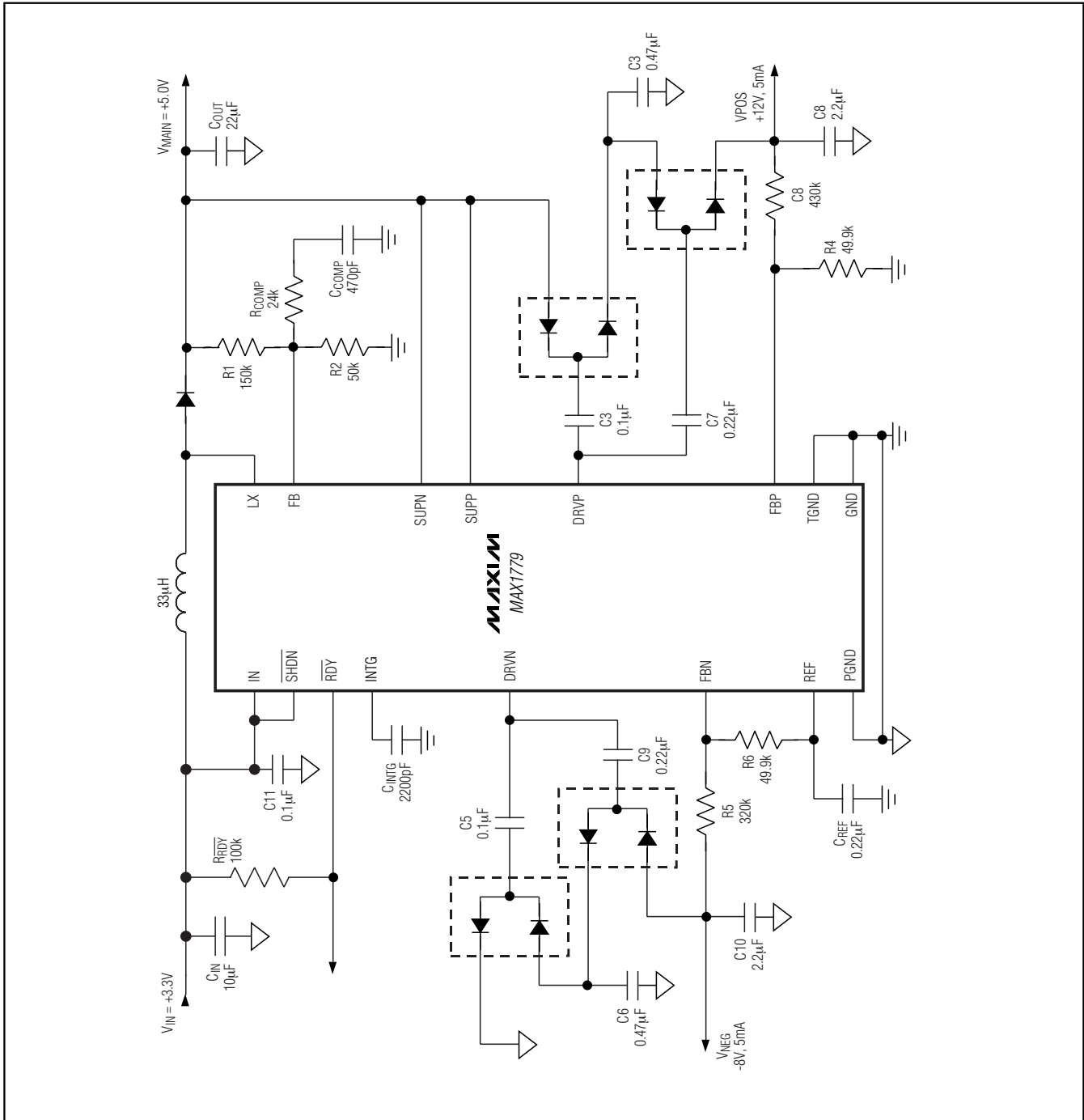


Figure 5. Typical Operating Circuit (L = 33µH)

# Low-Power Triple-Output TFT LCD DC-DC Converter

**MAX1779**

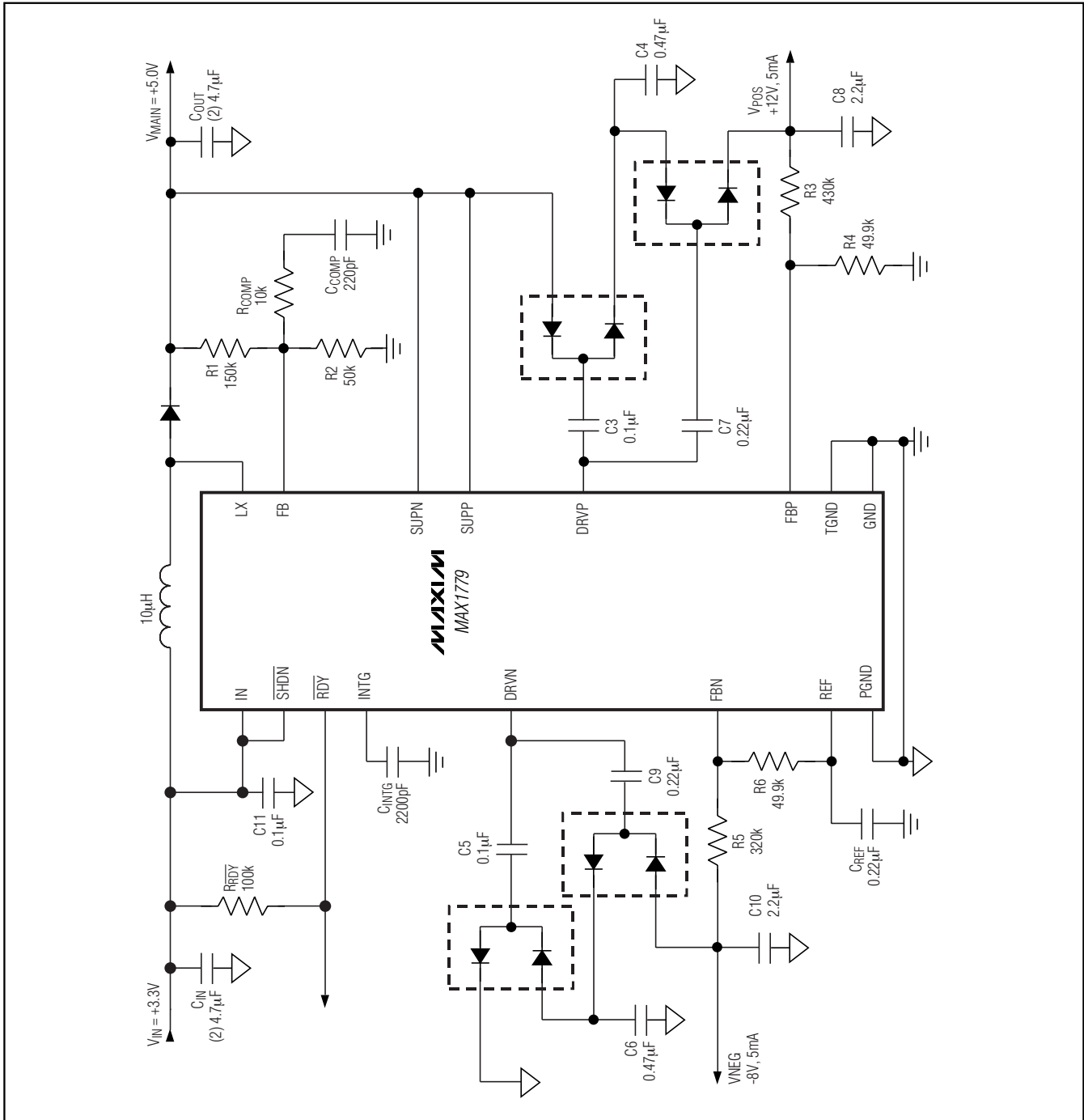
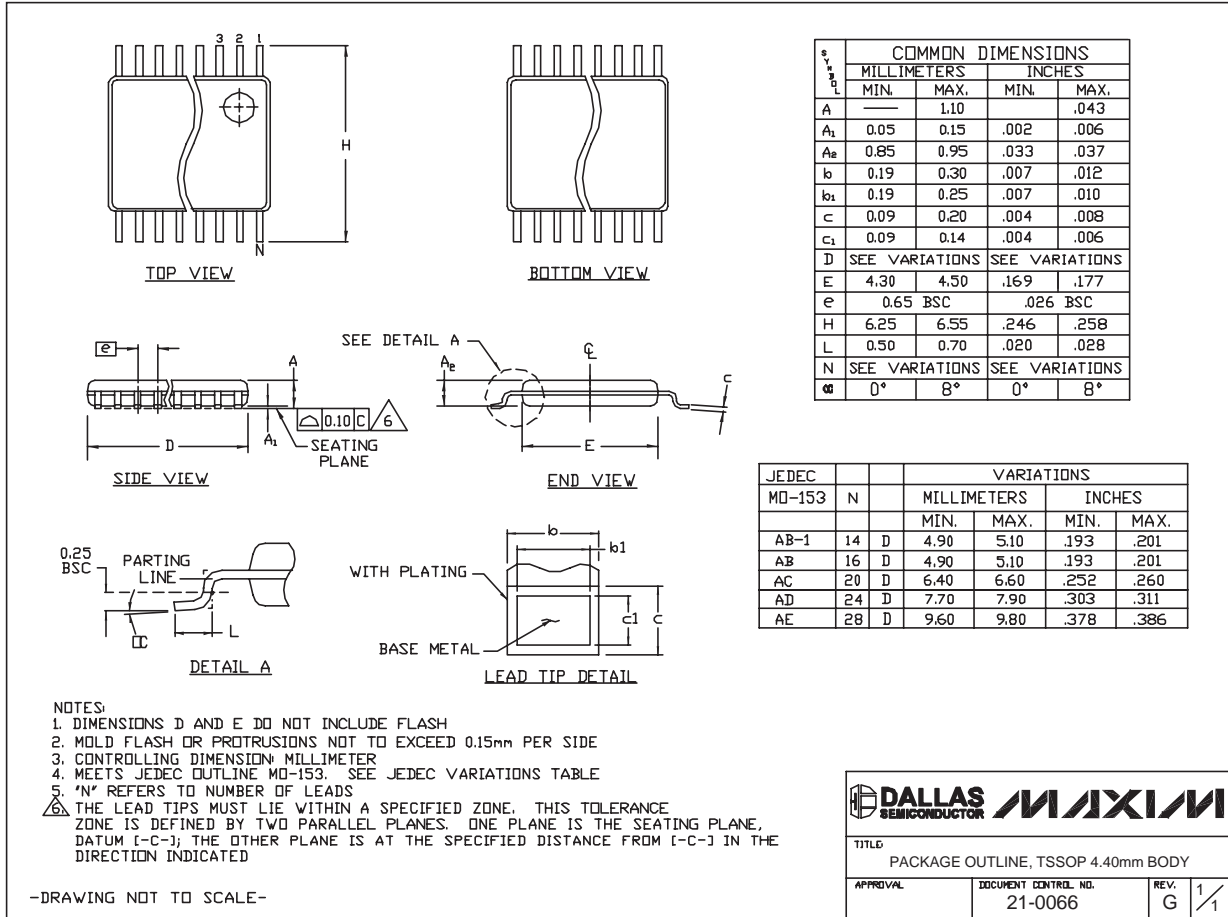


Figure 6. Typical Operating Circuit ( $L = 10\mu H$ )

# Low-Power Triple-Output TFT LCD DC-DC Converter

## Package Information

(The package drawing(s) in this data sheet may not reflect the most current specifications. For the latest package outline information go to [www.maxim-ic.com/packages](http://www.maxim-ic.com/packages).)



TSSOP4.40mm.EPS

**Note:** The MAX1779 16-pin TSSOP package does not have an exposed pad.

Maxim cannot assume responsibility for use of any circuitry other than circuitry entirely embodied in a Maxim product. No circuit patent licenses are implied. Maxim reserves the right to change the circuitry and specifications without notice at any time.

18 **Maxim Integrated Products, 120 San Gabriel Drive, Sunnyvale, CA 94086 408-737-7600**

## Looking for pricing, stock, or lifecycle information?

Click below to explore more details on WIN SOURCE:

 [View MAX1779EUE+T on WIN SOURCE](#)

 [Maxim Integrated](#) Information

## Optimize Your Supply Chain with WIN SOURCE Solutions

-  Global Sourcing Solution
-  Obsolete Management
-  Cost Control Management
-  Shortage Management
-  Alternative Solution
-  Excess Inventory Management