



**THE DATASHEET OF  
MAX1858EEG+T**



# Dual 180° Out-of-Phase PWM Step-Down Controller with Power Sequencing and POR

## General Description

The MAX1858 dual, synchronized, step-down controller generates two outputs from input supplies ranging from 4.75V to 23V. Each output is adjustable from sub-1V to 18V and supports loads of 10A or higher. Input voltage ripple and total RMS input ripple current are reduced by synchronized 180° out-of-phase operation.

The switching frequency is adjustable from 100kHz to 600kHz with an external resistor. Alternatively, the controller can be synchronized to an external clock generated to another MAX1858 or a system clock. One MAX1858 can be set to generate an in-phase, or 90° out-of-phase, clock signal for synchronization with additional controllers. This allows two controllers to operate either as an interleaved two- or four-phase system with each output shifted by 90°. The device also features "first-on/last-off" power sequencing for compatibility with DSPs, ASICs, and FPGAs, as well as soft-start and soft-stop to ensure reliable and repeatable power sequencing.

The MAX1858 eliminates the need for current-sense resistors by utilizing the low-side MOSFET's on-resistance as a current-sense element. This protects the DC-DC components from damage during output-overload conditions or when output short-circuit faults without requiring a current-sense resistor. Adjustable foldback current limit reduces power dissipation during short-circuit condition. A power-on reset output signals the system when both outputs reach regulation.

The MAX1858 is available in a 24-pin QSOP package. An evaluation kit is available to speed designs.

## Applications

Network Power Supplies  
Telecom Power Supplies  
DSP, ASIC, and FPGA Power Supplies  
Set-Top Boxes  
Broadband Routers  
Servers

*Typical Operating Circuit appears at end of data sheet.*

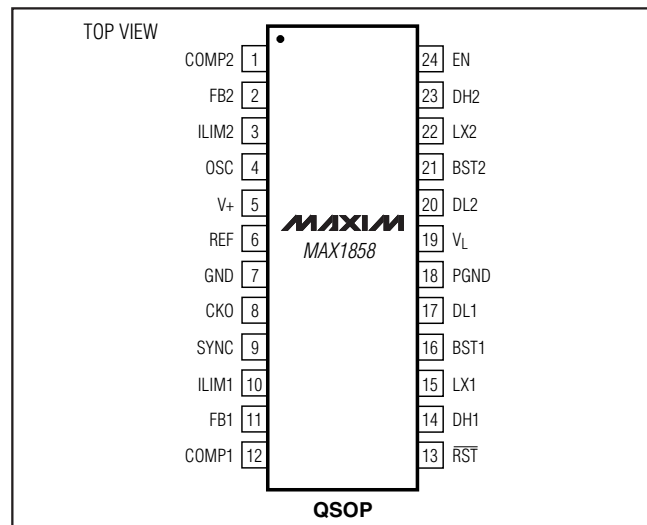
## Features

- ◆ Two Independent Output Voltages
- ◆ 180° Out-of-Phase Operation
- ◆ 90° Out-of-Phase Operation (Using Two MAX1858s)
- ◆ Foldback Current Limit
- ◆ 4.75V to 23V Input Supply Range
- ◆ 0 to 18V Output-Voltage Range (Up to 10A)
- ◆ >90% Efficiency
- ◆ Fixed-Frequency Pulse-Width Modulation (PWM) Operation
- ◆ Adjustable 100kHz to 600kHz Switching Frequency
- ◆ External SYNC Input
- ◆ Clock Output for Master/Slave Synchronization
- ◆ Power-On/-Off Sequencing with Soft-Start and Soft-Stop
- ◆  $\overline{\text{RST}}$  Output with 140ms Minimum Delay
- ◆ Lossless Current Limit (No Sense Resistor)

## Ordering Information

PART	TEMP RANGE	PIN-PACKAGE
MAX1858EEG	-40°C to +85°C	24 QSOP

## Pin Configuration



# Dual 180° Out-of-Phase PWM Step-Down Controller with Power Sequencing and POR

## ABSOLUTE MAXIMUM RATINGS

V <sub>+</sub> to GND	-0.3V to +25V
PGND to GND	-0.3V to +0.3V
V <sub>L</sub> to GND	-0.3V to the lower of +6V and (V <sub>+</sub> + 0.3V)
BST1, BST2 to GND	-0.3V to +30V
LX1 to BST1	-6V to +0.3V
LX2 to BST2	-6V to +0.3V
DH1 to LX1	-0.3V to (V <sub>BST1</sub> + 0.3V)
DH2 to LX2	-0.3V to (V <sub>BST2</sub> + 0.3V)
DL1, DL2 to PGND	-0.3V to (V <sub>L</sub> + 0.3V)
CKO, REF, OSC, ILIM1, ILIM2, COMP1, COMP2 to GND	-0.3V to (V <sub>L</sub> + 0.3V)

FB1, FB2, $\overline{\text{RST}}$ , SYNC, EN to GND	-0.3V to +6V
V <sub>L</sub> to GND Short Circuit	Continuous
REF to GND Short Circuit	Continuous
Continuous Power Dissipation (T <sub>A</sub> = +70°C) 24-Pin QSOP (derate 9.4mW/°C above +70°C)	762mW
Operating Temperature Range	-40°C to +85°C
Junction Temperature	+150°C
Storage Temperature Range	-65°C to +150°C
Lead Temperature (soldering, 10s)	+300°C

Stresses beyond those listed under "Absolute Maximum Ratings" may cause permanent damage to the device. These are stress ratings only, and functional operation of the device at these or any other conditions beyond those indicated in the operational sections of the specifications is not implied. Exposure to absolute maximum rating conditions for extended periods may affect device reliability.

## ELECTRICAL CHARACTERISTICS

(V<sub>+</sub> = 12V, EN = ILIM<sub>-</sub> = V<sub>L</sub>, SYNC = GND, I<sub>VL</sub> = 0mA, PGND = GND, C<sub>REF</sub> = 0.22μF, C<sub>VL</sub> = 4.7μF (ceramic), R<sub>OSC</sub> = 60kΩ, compensation components for COMP<sub>-</sub> are from Figure 1, T<sub>A</sub> = -40°C to +85°C (Note 1), unless otherwise noted.)

PARAMETER	CONDITIONS	MIN	TYP	MAX	UNITS	
<b>GENERAL</b>						
V <sub>+</sub> Operating Range	(Note 2)	4.75		23	V	
	V <sub>L</sub> = V <sub>+</sub> (Note 2)	4.75		5.5		
V <sub>+</sub> Operating Supply Current	V <sub>L</sub> unloaded, no MOSFETs connected		3.5	6	mA	
V <sub>+</sub> Standby Supply Current	EN = LX <sub>-</sub> = FB <sub>-</sub> = 0V R <sub>OSC</sub> = 60kΩ		0.3	0.6	mA	
Thermal Shutdown	Rising temperature, typical hysteresis = 10°C		160		°C	
Current-Limit Threshold	PGND - LX <sub>-</sub>	ILIM <sub>-</sub> = V <sub>L</sub>	75	100	125	mV
		R <sub>ILIM<sub>-</sub></sub> = 100kΩ	32	50	62	
		R <sub>ILIM<sub>-</sub></sub> = 600kΩ	225	300	375	
<b>V<sub>L</sub> REGULATOR</b>						
Output Voltage	5.5V < V <sub>+</sub> < 23V, 1mA < I <sub>LOAD</sub> < 50mA	4.75	5	5.25	V	
V <sub>L</sub> Undervoltage Lockout Trip Level		4.4	4.55	4.7	V	
<b>REFERENCE</b>						
Output Voltage	I <sub>REF</sub> = 0μA	1.98	2.00	2.02	V	
Reference Load Regulation	0μA < I <sub>REF</sub> < 50μA	0	4	10	mV	
<b>SOFT-START</b>						
Digital Ramp Period	Internal 6-bit DAC for one converter to ramp from 0V to full scale (Note 3)		1024		DC-DC Clocks	
Soft-Start Steps			64		Steps	
<b>FREQUENCY</b>						
Low End of Range	R <sub>OSC</sub> = 60kΩ	0°C to +85°C	84	100	115	kHz
		-40°C to +85°C	80	100	120	
High End of Range	R <sub>OSC</sub> = 10kΩ	540	600	660	kHz	
DH <sub>-</sub> Minimum Off-Time	R <sub>OSC</sub> = 10kΩ		250	303	ns	

# Dual 180° Out-of-Phase PWM Step-Down Controller with Power Sequencing and POR

MAX1858

## ELECTRICAL CHARACTERISTICS (continued)

(V<sub>+</sub> = 12V, EN = ILIM<sub>-</sub> = V<sub>L</sub>, SYNC = GND, I<sub>VL</sub> = 0mA, PGND = GND, C<sub>REF</sub> = 0.22μF, C<sub>VL</sub> = 4.7μF (ceramic), R<sub>OSC</sub> = 60kΩ, compensation components for COMP<sub>-</sub> are from Figure 1, T<sub>A</sub> = -40°C to +85°C (Note 1), unless otherwise noted.)

PARAMETER	CONDITIONS		MIN	TYP	MAX	UNITS
SYNC Range	Internal oscillator nominal frequency must be set to half of SYNC frequency		200		1200	kHz
SYNC Input Pulse Width	(Note 3)	High	100			ns
		Low	100			
SYNC Rise/Fall Time	(Note 3)				100	ns
<b>ERROR AMPLIFIER</b>						
FB <sub>-</sub> Input Bias Current					250	nA
FB <sub>-</sub> Input Voltage Set Point	0°C to +85°C		0.985	1.00	1.015	V
	-40°C to +85°C		0.98	1.00	1.02	
FB <sub>-</sub> to COMP <sub>-</sub> Transconductance	0°C to +85°C		1.25	1.8	2.70	mS
	-40°C to +85°C		1.2	1.8	2.9	
<b>DRIVERS</b>						
DL <sub>-</sub> DH <sub>-</sub> Break-Before-Make Time	C <sub>LOAD</sub> = 5nF			30		ns
DH <sub>-</sub> On-Resistance	Low			1.5	2.5	Ω
	High			3	5	
DL <sub>-</sub> On-Resistance	Low			0.6	1.5	Ω
	High			3	5	
<b>LOGIC INPUTS (EN, SYNC)</b>						
Input Low Level	Typical 15% hysteresis, V <sub>L</sub> = 4.75V				0.8	V
Input High Level	V <sub>L</sub> = 5.5V		2.4			V
Input High/Low Bias Current	V <sub>EN</sub> = 0 or 5.5V		-1	0.1	+1	μA
<b>LOGIC OUTPUTS (CKO)</b>						
Output Low Level	V <sub>L</sub> = 5V, sinking 5mA				0.4	V
Output High Level	V <sub>L</sub> = 5V, sourcing 5mA		4.0			V
<b>COMP<sub>-</sub></b>						
Pulldown Resistance During Shutdown and Current Limit				17		Ω
<b>RST OUTPUT</b>						
Output-Voltage Trip Level	Both FBs must be over this to allow the reset timer to start; there is no hysteresis		0.87	0.9	0.93	V
Output Low Level	V <sub>L</sub> = 5V, sinking 3.2mA				0.4	V
	V <sub>L</sub> = 1V, sinking 0.4mA				0.3	
Output Leakage	V <sub>+</sub> = V <sub>L</sub> = 5V, V <sub>RST</sub> = 5.5V, V <sub>FB</sub> = 1V				1	μA
Reset Timeout Period	V <sub>FB</sub> = 1V		140	315	560	ms
FB <sub>-</sub> to Reset Delay	FB <sub>-</sub> overdrive from 1V to 0.85V			4		μs

**Note 1:** Specifications to -40°C are guaranteed by design and not production tested.

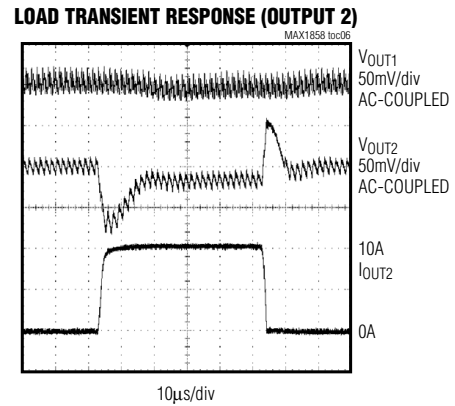
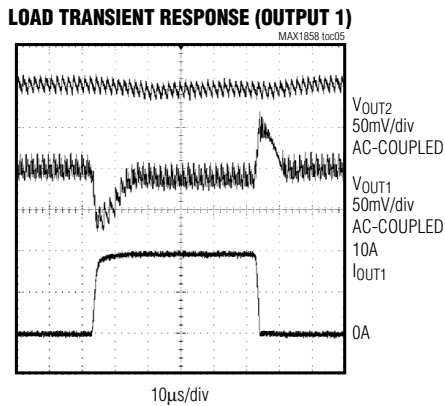
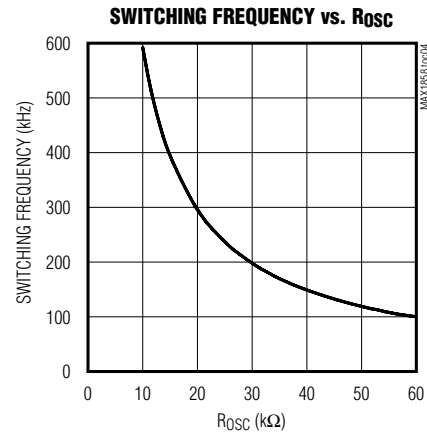
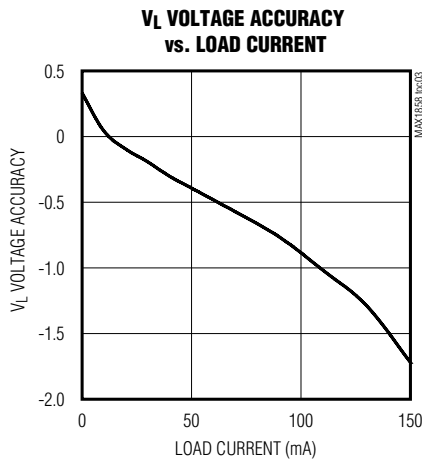
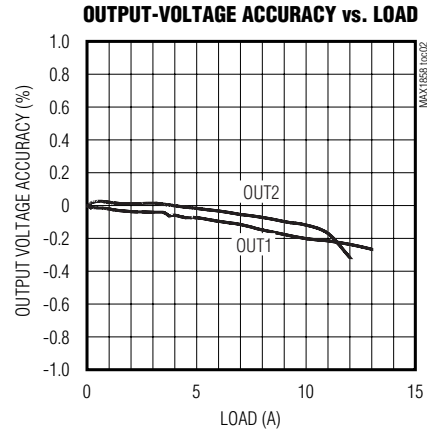
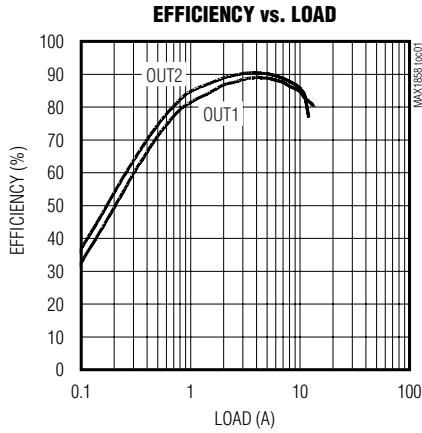
**Note 2:** Operating supply range is guaranteed by V<sub>L</sub> line regulation test. Connect V<sub>+</sub> to V<sub>L</sub> for 5V operation.

**Note 3:** Guaranteed by design and not production tested.

# Dual 180° Out-of-Phase PWM Step-Down Controller with Power Sequencing and POR

## Typical Operating Characteristics

(Circuit of Figure 1,  $V_{IN} = 12V$ ,  $T_A = +25^\circ C$ , unless otherwise noted.)



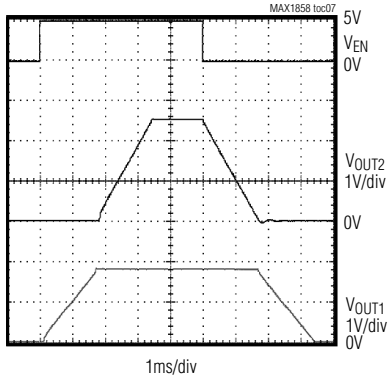
# Dual 180° Out-of-Phase PWM Step-Down Controller with Power Sequencing and POR

**MAX1858**

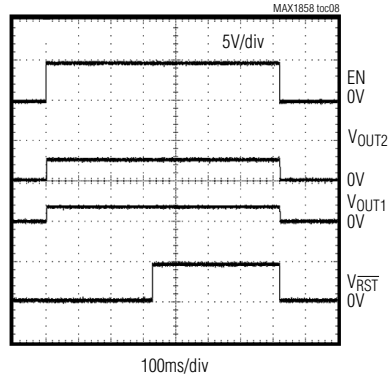
## Typical Operating Characteristics (continued)

(Circuit of Figure 1,  $V_{IN} = 12V$ ,  $T_A = +25^\circ C$ , unless otherwise noted.)

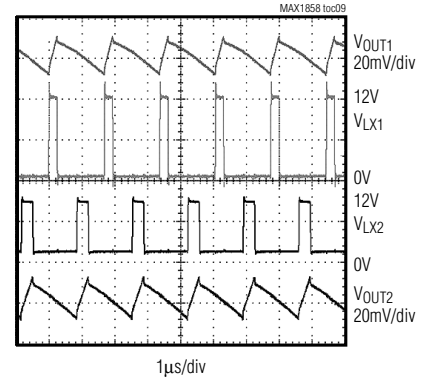
**SOFT-START AND SOFT-STOP WAVEFORM**



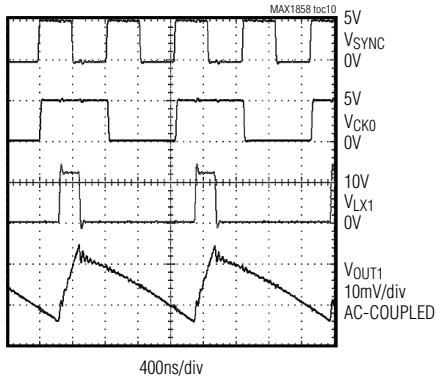
**RESET TIMEOUT**



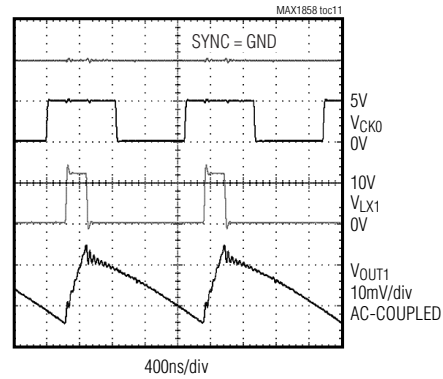
**OUT-OF-PHASE WAVEFORM**



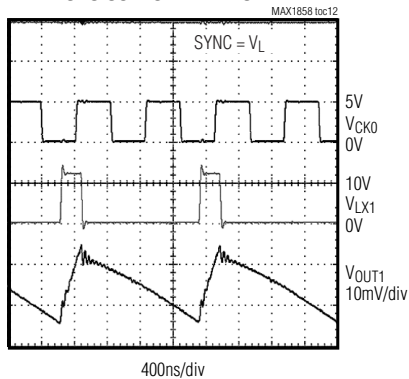
**EXTERNALLY SYNCHRONIZED SWITCHING WAVEFORM**



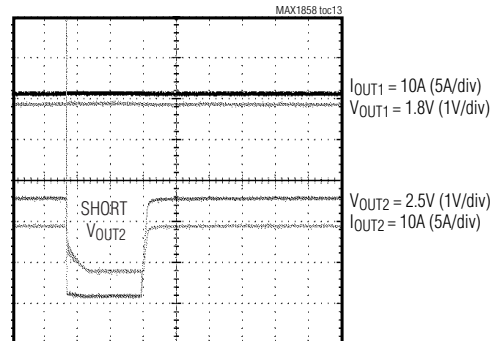
**CKO OUTPUT WAVEFORM**



**CKO OUTPUT WAVEFORM**



**SHORT-CIRCUIT CURRENT FOLDBACK AND RECOVERY**



# Dual 180° Out-of-Phase PWM Step-Down Controller with Power Sequencing and POR

## Pin Description

PIN	NAME	FUNCTION
1	COMP2	Compensation Pin for Regulator 2 (REG2). Compensate REG2's control loop by connecting a series resistor ( $R_{COMP2}$ ) and capacitor ( $C_{COMP2A}$ ) to GND in parallel with a second compensation capacitor ( $C_{COMP2B}$ ) as shown in Figure 1.
2	FB2	Feedback Input for Regulator 2 (REG2). Connect FB2 to a resistive-divider between REG2's output and GND to adjust the output voltage between 1V and 18V. To set the output voltage below 1V, connect FB2 to a resistive voltage-divider from REF to REG2's output. See the <i>Setting the Output Voltage</i> section.
3	ILIM2	Current-Limit Adjustment for Regulator 2 (REG2). The PGND–LX2 current-limit threshold defaults to 100mV if ILIM2 is connected to $V_L$ . Connect a resistor ( $R_{ILIM2}$ ) from ILIM2 to GND to adjust the REG2's current-limit threshold ( $V_{ITH2}$ ) from 50mV ( $R_{ILIM2} = 100k\Omega$ ) to 300mV ( $R_{ILIM2} = 600k\Omega$ ). See the <i>Setting the Valley Current Limit</i> section.
4	OSC	Oscillator Frequency Set Input. The controller generates the clock signal by dividing down the oscillator, so the switching frequency equals half the synchronization frequency ( $f_{sw} = f_{osc}/2$ ). Connect a resistor from OSC to GND ( $R_{OSC}$ ) to set the switching frequency from 100kHz ( $R_{OSC} = 60k\Omega$ ) to 600kHz ( $R_{OSC} = 10k\Omega$ ). The controller still requires $R_{OSC}$ when an external clock is connected to SYNC. When using SYNC, set $R_{OSC}$ for one half of the SYNC input.
5	V+	Input Supply Voltage. 4.75V to 23V.
6	REF	2V Reference Output. Bypass to GND with a 0.22 $\mu$ F or greater ceramic capacitor.
7	GND	Analog Ground
8	CKO	Clock Output. Clock Output for external 2- or 4-phase synchronization (see the <i>Clock Synchronization (SYNC, CKO)</i> section).
9	SYNC	Synchronization Input or Clock Output Selection Input. SYNC has three operating modes. Connect SYNC to a 200kHz to 1200kHz clock for external synchronization. Connect SYNC to GND for 2-phase operation as a master controller. Connect SYNC to $V_L$ for 4-phase operation as a master controller (see the <i>Clock Synchronization (SYNC, CKO)</i> section).
10	ILIM1	Current-Limit Adjustment for Regulator 1 (REG1). The PGND–LX1 current-limit threshold defaults to 100mV if ILIM1 is connected to $V_L$ . Connect a resistor ( $R_{ILIM1}$ ) from ILIM1 to GND to adjust REG1's current-limit threshold ( $V_{ITH1}$ ) from 50mV ( $R_{ILIM1} = 100k\Omega$ ) to 300mV ( $R_{ILIM1} = 600k\Omega$ ). See the <i>Setting the Valley Current Limit</i> section.
11	FB1	Feedback Input for Regulator 1 (REG1). Connect FB1 to a resistive-divider between REG1's output and GND to adjust the output voltage between 1V and 18V. To set the output voltage below 1V, connect FB1 to a resistive voltage-divider from REF and REG1's output. See the <i>Setting the Output Voltage</i> section.
12	COMP1	Compensation Pin for Regulator 1 (REG1). Compensate REG1's control loop by connecting a series resistor ( $R_{COMP1}$ ) and capacitor ( $C_{COMP1A}$ ) to GND in parallel with a second compensation capacitor ( $C_{COMP1B}$ ) as shown in Figure 1.
13	$\overline{RST}$	Open-Drain Reset Output. $\overline{RST}$ is low when either output voltage is more than 10% below its regulation point. After soft-start is completed and both outputs exceed 90% of their nominal output voltage ( $V_{FB\_} > 0.9V$ ), $\overline{RST}$ becomes high impedance after a 140ms delay and remains high impedance as long as both outputs maintain regulation. Connect a resistor between $\overline{RST}$ and the logic supply for logic-level voltages.

# Dual 180° Out-of-Phase PWM Step-Down Controller with Power Sequencing and POR

MAX1858

## Pin Description (continued)

PIN	NAME	FUNCTION
14	DH1	High-Side Gate Driver Output for Regulator 1 (REG1). DH1 swings from LX1 to BST1.
15	LX1	External Inductor Connection for Regulator 1 (REG1). Connect LX1 to the switched side of the inductor. LX1 serves as the lower supply rail for the DH1 high-side gate driver.
16	BST1	Boost Flying-Capacitor Connection for Regulator 1 (REG1). Connect BST1 to an external ceramic capacitor and diode according to Figure 1.
17	DL1	Low-Side Gate-Driver Output for Regulator 1 (REG1). DL1 swings from PGND to V <sub>L</sub> .
18	PGND	Power Ground
19	V <sub>L</sub>	Internal 5V Linear-Regulator Output. Supplies the regulators and powers the low-side gate drivers and external boost circuitry for the high-side gate drivers.
20	DL2	Low-Side Gate-Driver Output for Regulator 2 (REG2). DL2 swings from PGND to V <sub>L</sub> .
21	BST2	Boost Flying-Capacitor Connection for Regulator 2 (REG2). Connect BST2 to an external ceramic capacitor and diode according to Figure 1.
22	LX2	External Inductor Connection for Regulator 2 (REG2). Connect LX2 to the switched side of the inductor. LX2 serves as the lower supply rail for the DH2 high-side gate driver.
23	DH2	High-Side Gate-Driver Output for Regulator 2 (REG2). DH2 swings from LX2 to BST2.
24	EN	Active-High Enable Input. A logic low shuts down both controllers. Connect to V <sub>L</sub> for always-on operation.

## Detailed Description

### DC-DC PWM Controller

The MAX1858 step-down converters use a PWM voltage-mode control scheme (Figure 2) for each out-of-phase controller. The controller generates the clock signal by dividing down the internal oscillator or SYNC input when driven by an external clock, so each controller's switching frequency equals half the oscillator frequency ( $f_{sw} = f_{OSC}/2$ ). An internal transconductance error amplifier produces an integrated error voltage at the COMP pin, providing high DC accuracy. The voltage at COMP sets the duty cycle using a PWM comparator and a ramp generator. At each rising edge of the clock, REG1's high-side N-channel MOSFET turns on and remains on until either the appropriate duty cycle or until the maximum duty cycle is reached. REG2 operates out-of-phase, so the second high-side MOSFET turns on at each falling edge of the clock. During each high-side MOSFET's on-time, the associated inductor current ramps up.

During the second-half of the switching cycle, the high-side MOSFET turns off and the low-side N-channel MOSFET turns on. Now the inductor releases the stored energy as its current ramps down, providing current to the output. Under overload conditions, when the induc-

tor current exceeds the selected valley current-limit (see the *Current-Limit Circuit (ILIM\_)* section), the high-side MOSFET does not turn on at the appropriate clock edge and the low-side MOSFET remains on to let the inductor current ramp down.

### Synchronized Out-of-Phase Operation

The two independent regulators in the MAX1858 operate 180° out-of-phase to reduce input filtering requirements, reduce electromagnetic interference (EMI), and improve efficiency. This effectively lowers component cost and saves board space, making the MAX1858 ideal for cost-sensitive applications.

Dual-switching regulators typically operate both controllers in-phase, and turn on both high-side MOSFETs at the same time. The input capacitor must then support the instantaneous current requirements of both controllers simultaneously, resulting in increased ripple voltage and current when compared to a single switching regulator. The higher RMS ripple current lowers efficiency due to power loss associated with the input capacitor's effective series resistance (ESR). This typically requires more low-ESR input capacitors in parallel to minimize input voltage ripple and ESR-related losses, or to meet the necessary ripple-current rating.

# Dual 180° Out-of-Phase PWM Step-Down Controller with Power Sequencing and POR

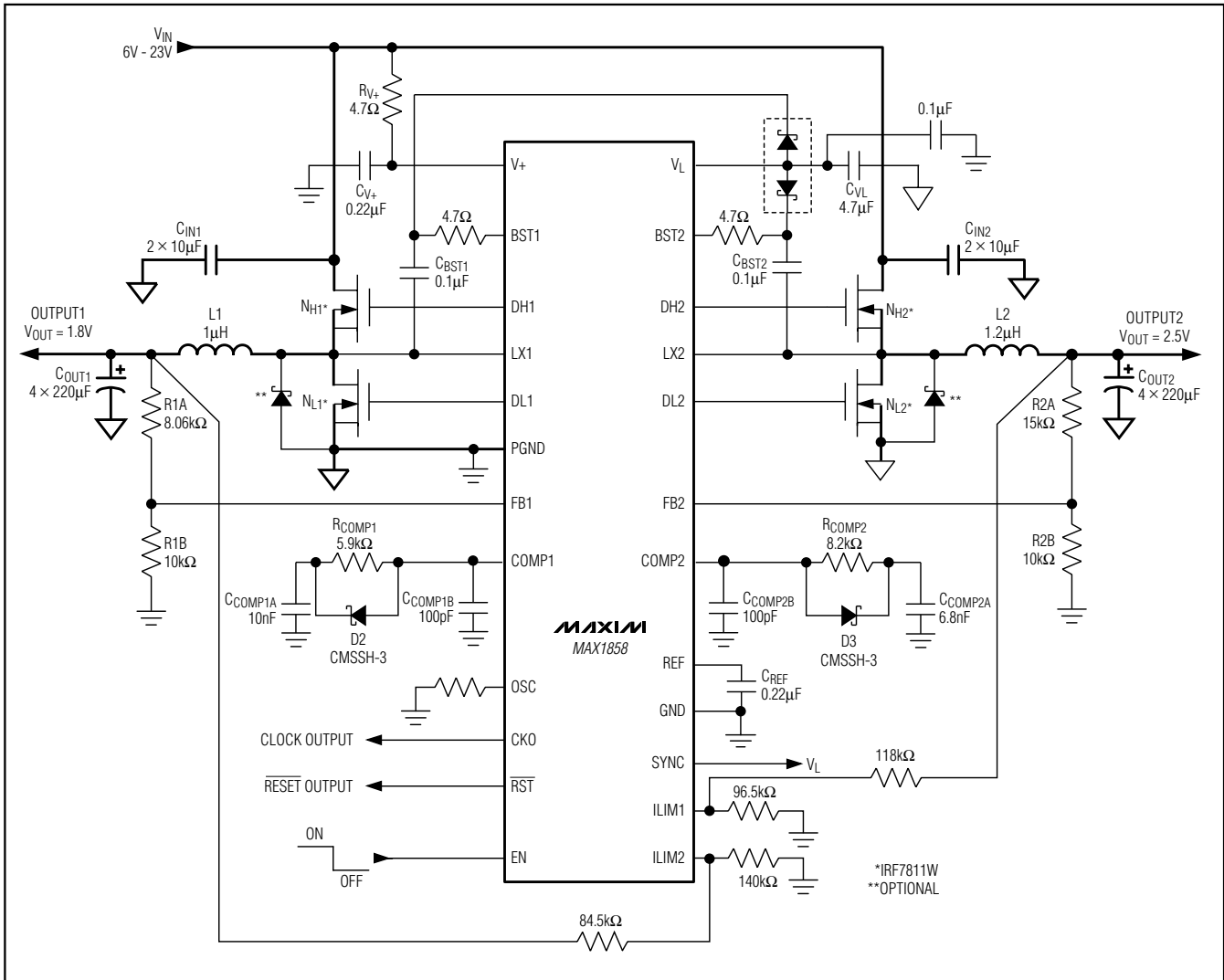


Figure 1. Standard Application Circuit

With dual synchronized out-of-phase operation, the MAX1858's high-side MOSFETs turn on 180° out-of-phase. The instantaneous input current peaks of both regulators no longer overlap, resulting in reduced RMS ripple current and input voltage ripple. This reduces the required input capacitor ripple-current rating, allowing fewer or less expensive capacitors, and reduces shielding requirements for EMI. The Out-of-Phase Waveforms in the *Typical Operating Characteristics* demonstrate synchronized 180° out-of-phase operation.

### Internal 5V Linear Regulator (V<sub>L</sub>)

All MAX1858 functions are internally powered from an on-chip, low-dropout 5V regulator. The maximum regulator input voltage (V<sub>+</sub>) is 23V. Bypass the regulator's output (V<sub>L</sub>) with a 4.7μF ceramic capacitor to PGND. The V<sub>L</sub> dropout voltage is typically 500mV, so when V<sub>+</sub> is greater than 5.5V, V<sub>L</sub> is typically 5V. The MAX1858 also employs an undervoltage lockout circuit that disables both regulators when V<sub>L</sub> falls below 4.5V. V<sub>L</sub> should also be bypassed to GND with 0.1μF.

# Dual 180° Out-of-Phase PWM Step-Down Controller with Power Sequencing and POR

**MAX1858**

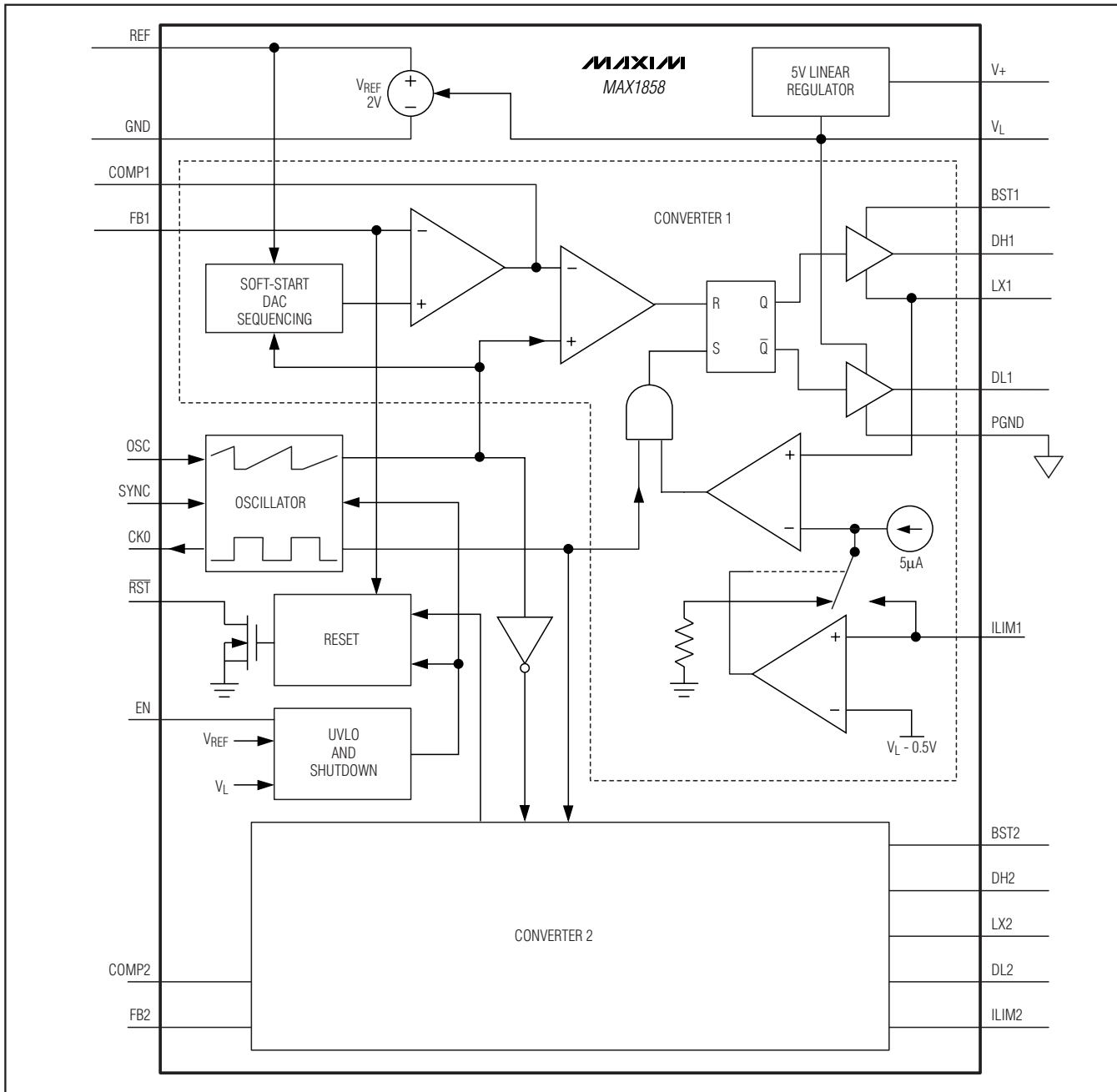


Figure 2. Functional Diagram

The internal V<sub>L</sub> linear regulator can source over 50mA to supply the IC, power the low-side gate driver, charge the external boost capacitor, and supply small external loads. When driving large FETs, little or no regulator current may be available for external loads. For example,

when switched at 600kHz, a single large FET with 18nC total gate charge requires 18nC x 600kHz = 11mA. To drive larger MOSFETs, or deliver larger loads, connect V<sub>L</sub> to an external power supply from 4.75V to 5.5V.

# Dual 180° Out-of-Phase PWM Step-Down Controller with Power Sequencing and POR

## High-Side Gate-Drive Supply (BST<sub>-</sub>)

Gate-drive voltages for the high-side N-channel switches are generated by the flying-capacitor boost circuits (Figure 3). A boost capacitor (connected from BST<sub>-</sub> to LX<sub>-</sub>) provides power to the high-side MOSFET driver.

On startup, the synchronous rectifier (low-side MOSFET) forces LX<sub>-</sub> to ground and charges the boost capacitor to 5V. On the second half-cycle, after the low-side MOSFET turns off, the high-side MOSFET is turned on by closing an internal switch between BST<sub>-</sub> and DH<sub>-</sub>. This provides the necessary gate-to-source voltage to turn on the high-side switch, an action that boosts the 5V gate-drive signal above V<sub>IN</sub>. The current required to drive the high-side MOSFET gates (f<sub>SWITCH</sub> × Q<sub>G</sub>) is ultimately drawn from V<sub>L</sub>.

## MOSFET Gate Drivers (DH<sub>-</sub>, DL<sub>-</sub>)

The DH and DL drivers are optimized for driving moderate-size N-channel high-side, and larger low-side power MOSFETs. This is consistent with the low duty factor seen with large V<sub>IN</sub> - V<sub>OUT</sub> differential. The DL<sub>-</sub> low-side drive waveform is always the complement of the DH<sub>-</sub> high-side drive waveform (with controlled dead time to prevent cross-conduction or “shoot-through”). An adaptive dead-time circuit monitors the DL<sub>-</sub> output and prevents the high-side FET from turning on until DL<sub>-</sub> is fully off. There must be a low-resistance, low-inductance path from the DL<sub>-</sub> driver to the MOSFET gate in order for the adaptive dead-time circuit to work properly. Otherwise, the sense circuitry in the MAX1858 interprets the MOSFET gate as “off” while there is actually charge still left on the gate. Use very short, wide traces (50mils to 100mils wide if the MOSFET is 1in from the device). The dead time at the DH-off edge is determined by a fixed 30ns internal delay.

Synchronous rectification reduces conduction losses in the rectifier by replacing the normal low-side Schottky catch diode with a low-resistance MOSFET switch. Additionally, the MAX1858 uses the synchronous rectifier to ensure proper startup of the boost gate-driver circuit and to provide the current-limit signal.

The internal pulldown transistor that drives DL<sub>-</sub> low is robust, with a 0.5Ω (typ) on-resistance. This low on-resistance helps prevent DL<sub>-</sub> from being pulled up during the fast rise-time of the LX<sub>-</sub> node, due to capacitive coupling from the drain to the gate of the low-side synchronous-rectifier MOSFET. However, for high-current applications, some combinations of high- and low-side FETs can cause excessive gate-drain coupling, leading to poor efficiency, EMI, and shoot-through currents. This can be remedied by adding a resistor (typically less than 5Ω) in series with BST<sub>-</sub>, which increases the turn-on time of the high-side FET without degrading the turn-off time (Figure 3).

## Current-Limit Circuit (ILIM<sub>-</sub>)

The current-limit circuit employs a “valley” current-sensing algorithm that uses the on-resistance of the low-side MOSFET as a current-sensing element. If the current-sense signal is above the current-limit threshold, the MAX1858 does not initiate a new cycle (Figure 4). Since valley current sensing is employed, the actual peak current is greater than the current-limit threshold by an amount equal to the inductor ripple current. Therefore, the exact current-limit characteristic and maximum load capability are a function of the low-side MOSFET’s on-resistance, current-limit threshold, inductor value, and input voltage. The reward for this uncertainty is robust, lossless overcurrent sensing that does not require costly sense resistors.

The adjustable current limit accommodates MOSFETs with a wide range of on-resistance characteristics (see the *Design Procedure* section). The current-limit threshold is adjusted with an external resistor at ILIM<sub>-</sub> (Figure 1). The adjustment range is from 50mV to 300mV, corresponding to resistor values of 100kΩ to 600kΩ. In adjustable mode, the current-limit threshold across the low-side MOSFET is precisely 1/10th the voltage seen at ILIM<sub>-</sub>. However, the current-limit threshold defaults to 100mV when ILIM is tied to V<sub>L</sub>. The logic threshold for switchover to this 100mV default value is approximately V<sub>L</sub> - 0.5V. Adjustable foldback current limit reduces power dissipation during short-circuit conditions (see the *Design Procedure* section).

Carefully observe the PC board layout guidelines to ensure that noise and DC errors do not corrupt the current-sense signals seen by LX<sub>-</sub> and PGND. The IC must be mounted close to the low-side MOSFET with short, direct traces making a Kelvin sense connection so that trace resistance does not add to the intended sense resistance of the low-side MOSFET.

## Undervoltage Lockout and Startup

If V<sub>L</sub> drops below 4.5V, the MAX1858 assumes that the supply and reference voltages are too low to make valid decisions and activates the undervoltage lockout (UVLO) circuitry which forces DL and DH low to inhibit switching. RST is also forced low during UVLO. After V<sub>L</sub> rises above 4.5V, the controller powers up the outputs.

## Enable (EN), Soft-Start, and Soft-Stop

Pull EN high to enable or low to shutdown both regulators. During shutdown the supply current drops to 1mA (max), LX enters a high-impedance state (DH<sub>-</sub> connected to LX<sub>-</sub>, and DL<sub>-</sub> connected to PGND), and COMP<sub>-</sub> is discharged to GND through a 17Ω resistor. V<sub>L</sub> and REF remain active in shutdown. For “always-on” operation, connect EN to V<sub>L</sub>.

# Dual 180° Out-of-Phase PWM Step-Down Controller with Power Sequencing and POR

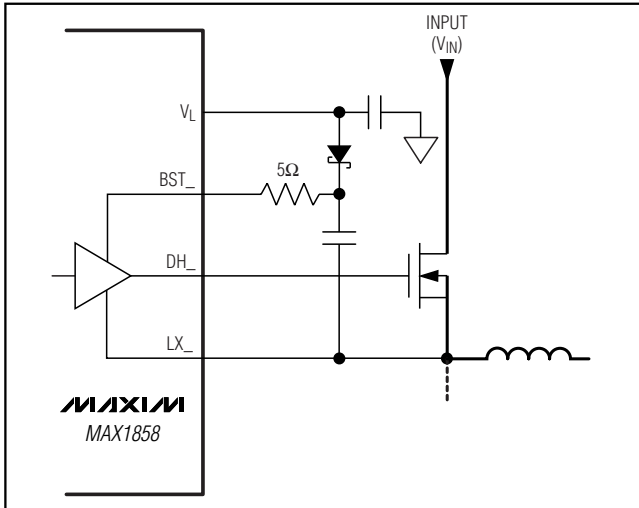


Figure 3. Reducing the Switching-Node Rise Time

On the rising edge of EN both controllers enter soft-start. Soft-start gradually ramps up to the reference voltage seen by the error amplifier in order to control the outputs' rate of rise and reduce input surge currents during startup. The soft-start period is 1024 clock cycles ( $1024/f_{SW}$ ), and the internal soft-start DAC ramps up the voltage in 64 steps. The output reaches regulation when soft-start is completed. On the falling edge of EN both controllers simultaneously enter soft-stop, which reverses the soft-start ramp. The part enters shutdown after soft-stop is complete.

### Output-Voltage Sequencing

After the startup circuitry enables the controller, the MAX1858 begins the startup sequence. Regulator 1 (OUT1) powers up with soft-start enabled. Once the first converter's soft-start sequence ends, Regulator 2 (OUT2) powers up with soft-start enabled. Finally, when both converters complete soft-start and both output voltages exceed 90% of their nominal values, the reset output ( $\overline{RST}$ ) goes high (see the *Reset Output* section). Soft-stop is initiated by pulling EN low. Soft-stop occurs in reverse order of soft-start, allowing last-on/first-off operation.

### Reset Output

$\overline{RST}$  is an open-drain output.  $\overline{RST}$  pulls low when either output falls below 90% of its nominal regulation voltage. Once both outputs exceed 90% of their nominal regulation voltages and both soft-start cycles are completed,  $\overline{RST}$  goes high impedance. To obtain a logic-voltage output, connect a pullup resistor from  $\overline{RST}$  to the logic sup-

ply voltage. A 100k $\Omega$  resistor works well for most applications. If unused, leave  $\overline{RST}$  grounded or unconnected.

### Clock Synchronization (SYNC, CKO)

SYNC serves two functions: SYNC selects the clock output (CKO) type used to synchronize slave controllers, or it serves as a clock input so the MAX1858 can be synchronized with an external clock signal. This allows the MAX1858 to function as either a master or slave. CKO provides a clock signal synchronized to the MAX1858's switching frequency, allowing either in-phase (SYNC = GND) or 90° out-of-phase (SYNC = VL) synchronization of additional DC-DC controllers (Figure 5). The MAX1858 supports the following three operating modes:

- **SYNC = GND:** The CKO output frequency equals REG1's switching frequency ( $f_{CKO} = f_{DH1}$ ) and the CKO signal is in phase with REG1's switching frequency. This provides 2-phase operation when synchronized with a second slave controller.
- **SYNC = VL:** The CKO output frequency equals two times REG1's switching frequency ( $f_{CKO} = 2f_{DH1}$ ) and the CKO signal is phase shifted by 90° with respect to REG1's switching frequency. This provides 4-phase operation when synchronized with a second MAX1858 (slave controller).
- **SYNC Driven by External Oscillator:** The controller generates the clock signal by dividing down the SYNC input signal, so the switching frequency equals half the synchronization frequency ( $f_{SW} = f_{SYNC}/2$ ). REG1's conversion cycles initiate on the rising edge of the internal clock signal. The CKO output frequency and phase match REG1's switching frequency ( $f_{CKO} = f_{DH1}$ ) and the CKO signal is in phase. Note that the MAX1858 still requires ROSC when SYNC is externally clocked and the internal oscillator frequency should be set to 50% of the synchronization frequency ( $f_{OSC} = 0.5f_{SYNC}$ ).

### Thermal Overload Protection

Thermal overload protection limits total power dissipation in the MAX1858. When the device's die-junction temperature exceeds  $T_J = +160^\circ\text{C}$ , an on-chip thermal sensor shuts down the device, forcing DL\_ and DH\_ low, allowing the IC to cool. The thermal sensor turns the part on again after the junction temperature cools by 10°C. During thermal shutdown, the regulators shut down,  $\overline{RST}$  goes low, and soft-start is reset. If the VL linear-regulator output is short-circuited, thermal-overload protection is triggered.

# Dual 180° Out-of-Phase PWM Step-Down Controller with Power Sequencing and POR

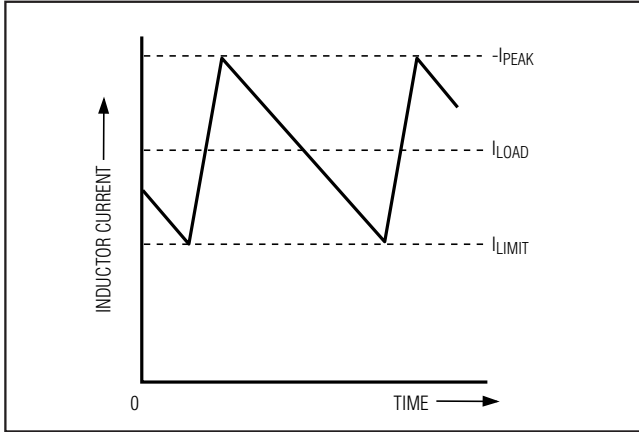


Figure 4. "Valley" Current-Limit Threshold Point

## Design Procedure

### Effective Input Voltage Range

Although, the MAX1858 controller can operate from input supplies ranging from 4.75V to 23V, the input voltage range can be effectively limited by the MAX1858's duty-cycle limitations. The maximum input voltage is limited by the minimum on-time ( $t_{ON(MIN)}$ ):

$$V_{IN(MAX)} \leq \frac{V_{OUT}}{t_{ON(MIN)}f_{SW}}$$

where  $t_{ON(MIN)}$  is 100ns. The minimum input voltage is limited by the switching frequency and minimum off-time, which determine the maximum duty cycle ( $D_{MAX} = 1 - f_{SW}t_{OFF(MIN)}$ ):

$$V_{IN(MIN)} = \left[ \frac{V_{OUT} + V_{DROP1}}{1 - f_{SW}t_{OFF(MIN)}} \right] + V_{DROP2} - V_{DROP1}$$

where  $V_{DROP1}$  is the sum of the parasitic voltage drops in the inductor discharge path, including synchronous rectifier, inductor, and PC board resistances.  $V_{DROP2}$  is the sum of the resistances in the charging path, including high-side switch, inductor, and PC board resistances.

### Setting the Output Voltage

For 1V or greater output voltages, set the MAX1858 output voltage by connecting a voltage-divider from the output to FB\_ to GND (Figure 6). Select R\_B (FB\_ to GND resistor) to between 1kΩ and 10kΩ. Calculate R\_A (OUT\_ to FB\_ resistor) with the following equation:

$$R_A = R_B \left[ \left( \frac{V_{OUT}}{V_{SET}} \right) - 1 \right]$$

where  $V_{SET} = 1.00V$  (see the *Electrical Characteristics*) and  $V_{OUT}$  can range from  $V_{SET}$  to 18V.

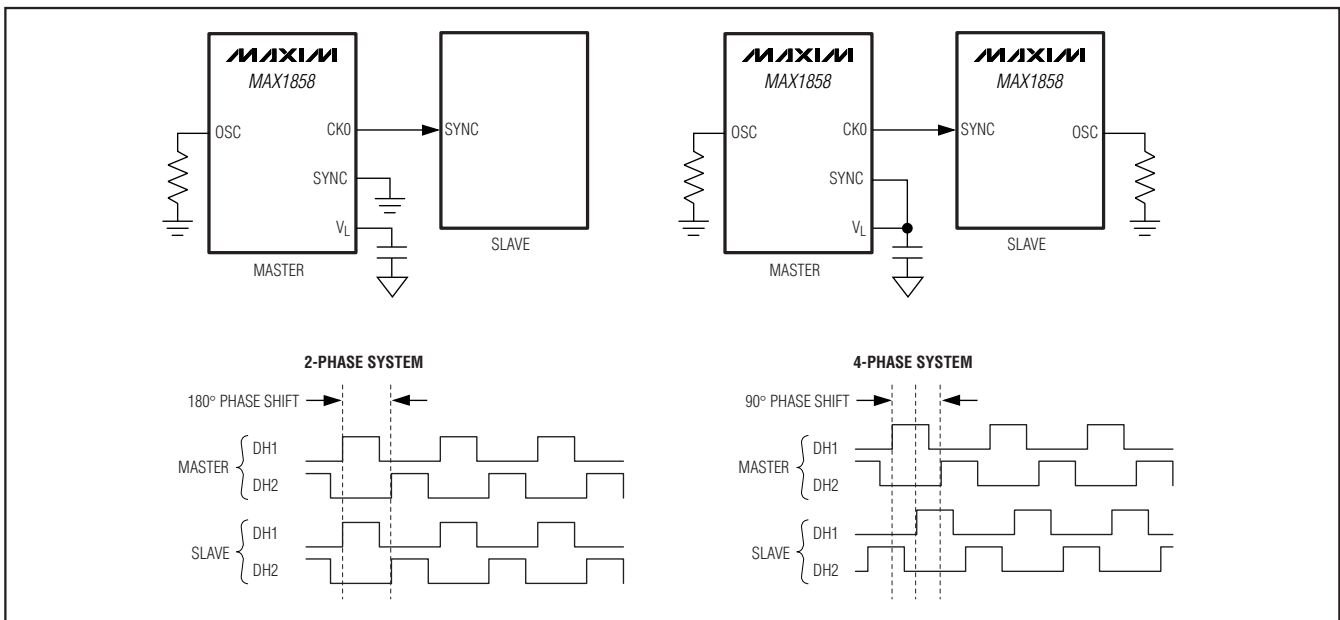


Figure 5. Synchronized Controllers

# Dual 180° Out-of-Phase PWM Step-Down Controller with Power Sequencing and POR

For output voltages below 1V, set the MAX1858 output voltage by connecting a voltage-divider from the output to FB\_ to REF (Figure 6). Select R\_C (FB to REF resistor) in the 1kΩ to 10kΩ range. Calculate R\_A with the following equation:

$$R_A = -R_C \left( \frac{V_{SET} - V_{OUT}}{V_{REF} - V_{SET}} \right)$$

where  $V_{SET} = 1V$ ,  $V_{REF} = 2V$  (see the *Electrical Characteristics*), and  $V_{OUT}$  can range from 0 to  $V_{SET}$ .

## Setting the Switching Frequency

The controller generates the clock signal by dividing down the internal oscillator or SYNC input signal when driven by an external oscillator, so the switching frequency equals half the oscillator frequency ( $f_{SW} = f_{OSC}/2$ ). The internal oscillator frequency is set by a resistor ( $R_{OSC}$ ) connected from OSC to GND. The relationship between  $f_{SW}$  and  $R_{OSC}$  is:

$$R_{OSC} = \frac{6 \times 10^9 \frac{\Omega \cdot \text{Hz}}{\text{S}}}{f_{SW}}$$

where  $f_{SW}$  is in Hz,  $f_{OSC}$  is in Hz, and  $R_{OSC}$  is in Ω. For example, a 600kHz switching frequency is set with  $R_{OSC} = 10k\Omega$ . Higher frequencies allow designs with lower inductor values and less output capacitance. Consequently, peak currents and  $I^2R$  losses are lower at higher switching frequencies, but core losses, gate-charge currents, and switching losses increase.

A rising clock edge on SYNC is interpreted as a synchronization input. If the SYNC signal is lost, the internal oscillator takes control of the switching rate, returning the switching frequency to that set by  $R_{OSC}$ . This maintains output regulation even with intermittent SYNC signals. When an external synchronization signal is used,  $R_{OSC}$  should set the switching frequency to one half SYNC rate ( $f_{SYNC}$ ).

## Inductor Selection

Three key inductor parameters must be specified for operation with the MAX1858: inductance value ( $L$ ), peak-inductor current ( $I_{PEAK}$ ), and DC resistance ( $R_{DC}$ ). The following equation assumes a constant ratio of inductor peak-to-peak AC current to DC average current (LIR). For LIR values too high, the RMS currents are high, and therefore  $I^2R$  losses are high. Large inductances must be used to achieve very low LIR values. Typically inductance is proportional to resistance (for a given package type) which again makes  $I^2R$  losses high for very low LIR values. A good compromise

between size and loss is a 30% peak-to-peak ripple current to average-current ratio (LIR = 0.3). The switching frequency, input voltage, output voltage, and selected LIR determine the inductor value as follows:

$$L = \frac{V_{OUT}(V_{IN} - V_{OUT})}{V_{IN} f_{SW} I_{OUT} LIR}$$

where  $V_{IN}$ ,  $V_{OUT}$ , and  $I_{OUT}$  are typical values (so that efficiency is optimum for typical conditions). The switching frequency is set by  $R_{OSC}$  (see the *Setting the Switching Frequency* section). The exact inductor value is not critical and can be adjusted in order to make trade-offs among size, cost, and efficiency. Lower inductor values minimize size and cost, but also improve transient response and reduce efficiency due to higher peak currents. On the other hand, higher inductance increases efficiency by reducing the RMS current. However, resistive losses due to extra wire turns can exceed the benefit gained from lower AC current levels, especially when the inductance is increased without also allowing larger inductor dimensions.

Find a low-loss inductor having the lowest possible DC resistance that fits in the allotted dimensions. The inductor's saturation rating must exceed the peak-inductor current at the maximum defined load current ( $I_{LOAD(MAX)}$ ):

$$I_{PEAK} = I_{LOAD(MAX)} + \left( \frac{LIR}{2} \right) I_{LOAD(MAX)}$$

## Setting the Valley Current Limit

The minimum current-limit threshold must be high enough to support the maximum expected load current with the worst-case low-side MOSFET on-resistance value since the low-side MOSFET's on-resistance is used as the current-sense element. The inductor's valley current occurs at  $I_{LOAD(MAX)}$  minus half of the ripple current. The current-sense threshold voltage ( $V_{ITH}$ ) should be greater than voltage on the low-side MOSFET during the ripple-current valley:

$$V_{ITH} > R_{DS(ON,MAX)} \times I_{LOAD(MAX)} \times \left( 1 - \frac{LIR}{2} \right)$$

where  $R_{DS(ON)}$  is the on-resistance of the low-side MOSFET ( $N_L$ ). Use the maximum value for  $R_{DS(ON)}$  from the low-side MOSFET's data sheet, and additional margin to account for  $R_{DS(ON)}$  rise with temperature is also recommended. A good general rule is to allow 0.5% additional resistance for each °C of the MOSFET junction temperature rise.

# Dual 180° Out-of-Phase PWM Step-Down Controller with Power Sequencing and POR

Connect ILIM<sub>-</sub> to V<sub>L</sub> for the default 100mV (typ) current-limit threshold. For an adjustable threshold, connect a resistor (R<sub>ILIM<sub>-</sub></sub>) from ILIM<sub>-</sub> to GND. The relationship between the current-limit threshold (V<sub>ITH<sub>-</sub></sub>) and R<sub>ILIM<sub>-</sub></sub> is:

$$R_{ILIM\_} = \frac{V_{ITH\_}}{0.5\mu A}$$

where R<sub>ILIM<sub>-</sub></sub> is in Ω and V<sub>ITH<sub>-</sub></sub> is in V. An R<sub>ILIM<sub>-</sub></sub> resistance range of 100kΩ to 600kΩ corresponds to a current-limit threshold of 50mV to 300mV. When adjusting the current limit, 1% tolerance resistors minimizes error in the current-limit threshold. For foldback current limit, a resistor (R<sub>FBI</sub>) is added from ILIM pin to output. The value of R<sub>ILIM</sub> and R<sub>FBI</sub> can then be calculated as follows:

First select the percentage of foldback (P<sub>FBI</sub>) from 15% to 30%, then:

$$R_{FBI} = \frac{P_{FBI} \times V_{OUT}}{5 \times 10^{-6} (1 - P_{FBI})}$$

$$\text{and } R_{ILIM} = \frac{10 \times V_{ITH} (1 - P_{FBI}) \times R_{FBI}}{[V_{OUT} - 10 \times V_{ITH} (1 - P_{FBI})]}$$

## Input Capacitor

The input filter capacitor reduces peak currents drawn from the power source and reduces noise and voltage ripple on the input caused by the circuit's switching. The input capacitor must meet the ripple current requirement (I<sub>RMS</sub>) imposed by the switching currents as defined by the following equation:

$$I_{RMS} = I_{LOAD} \frac{\sqrt{V_{OUT}(V_{IN} - V_{OUT})}}{V_{IN}}$$

I<sub>RMS</sub> has a maximum value when the input voltage equals twice the output voltage (V<sub>IN</sub> = 2V<sub>OUT</sub>), so I<sub>RMS</sub>(MAX) = I<sub>LOAD</sub> / 2. For most applications, nontantalum capacitors (ceramic, aluminum, polymer, or OSCON) are preferred at the input due to their robustness with high inrush currents typical of systems that can be powered from very low impedance sources. Additionally, two (or more) smaller-value low-ESR capacitors can be connected in parallel for lower cost. Choose an input capacitor that exhibits less than +10°C temperature rise at the RMS input current for optimal long-term reliability.

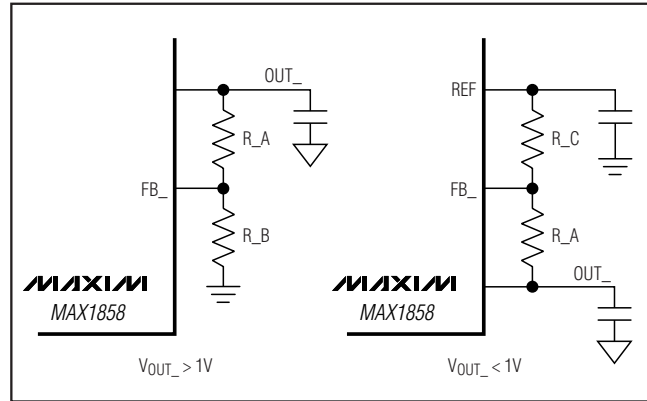


Figure 6. Adjustable Output Voltage

## Output Capacitor

The key selection parameters for the output capacitor are capacitance value, ESR, and voltage rating. These parameters affect the overall stability, output ripple voltage, and transient response. The output ripple has two components: variations in the charge stored in the output capacitor, and the voltage drop across the capacitor's ESR caused by the current flowing in to and out of the capacitor.

$$V_{RIPPLE} \cong V_{RIPPLE(ESR)} + V_{RIPPLE(C)}$$

The output voltage ripple as a consequence of the ESR and output capacitance is:

$$V_{RIPPLE(ESR)} = I_{P-P} R_{ESR}$$

$$V_{RIPPLE(C)} = \frac{I_{P-P}}{8C_{OUT} f_{SW}}$$

$$I_{P-P} = \left( \frac{V_{IN} - V_{OUT}}{f_{SW} L} \right) \left( \frac{V_{OUT}}{V_{IN}} \right)$$

where I<sub>P-P</sub> is the peak-to-peak inductor current (see the *Inductor Selection* section). These equations are suitable for initial capacitor selection, but final values should be verified by testing in a prototype or evaluation circuit.

As a general rule, a smaller inductor ripple current results in less output ripple voltage. Since inductor ripple current depends on the inductor value and input voltage, the output ripple voltage decreases with larger inductance and increases with higher input voltages. However, the inductor ripple current also impacts transient-response performance, especially at low V<sub>IN</sub> - V<sub>OUT</sub> differentials. Low inductor values allow the inductor current to slew faster, replenishing charge

# Dual 180° Out-of-Phase PWM Step-Down Controller with Power Sequencing and POR

removed from the output filter capacitors by a sudden load step. The amount of output-voltage sag is also a function of the maximum duty factor, which can be calculated from the minimum off-time and switching frequency:

$$V_{SAG} = \frac{L(I_{LOAD1} - I_{LOAD2})^2 \left[ \left( \frac{V_{OUT}}{V_{IN}f_{SW}} \right) + t_{OFF(MIN)} \right]}{2C_{OUT}V_{OUT} \left[ \left( \frac{V_{IN} - V_{OUT}}{V_{IN}f_{SW}} \right) - t_{OFF(MIN)} \right]}$$

where  $t_{OFF(MIN)}$  is the minimum off-time (see the *Electrical Characteristics*), and  $f_{SW}$  is set by  $R_{OSC}$  (see the *Setting the Switching Frequency* section).

### Compensation

Each voltage-mode controller section employs a transconductance error amplifier whose output is the compensation point of the control loop. The control loop is shown in Figure 7. For frequencies much lower than Nyquist, the PWM block can be simplified to a voltage amplifier. Connect  $R_{COMP\_}$  and  $C_{COMP\_A}$  from COMP to GND to compensate the loop (see Figure 7). The inductor, output capacitor, compensation resistor, and compensation capacitors determine the loop stability. Since the inductor and output capacitor are chosen based on performance, size, and cost, select the compensation resistor and capacitors to optimize control-loop stability.

To determine the loop gain ( $A_L$ ), consider the gain from FB to COMP ( $A_{COMP/FB}$ ), from COMP to LX ( $A_{LX/COMP}$ ), and from LX to FB ( $A_{FB/LX}$ ). The total loop gain is:

$$A_L = A_{COMP/FB} \times A_{LX/COMP} \times A_{FB/LX}$$

where:

$$A_{COMP/FB} = \frac{V_{COMP}}{V_{FB}} \cong \frac{g_{M\_COMP}}{S C_{COMP}} \times \frac{1 + sR_{COMP}C_{COMP\_A}}{1 + sR_{COMP}C_{COMP\_B}}$$

assuming an ideal integrator, and assuming that  $C_{COMP\_B}$  is much less than  $C_{COMP\_A}$ .

$$A_{LX/COMP} = \frac{V_{LX}}{V_{COMP}} = \frac{V_{IN}}{V_{RAMP}}$$

for frequencies lower than Nyquist.

$$A_{FB/LX} = \frac{V_{FB}}{V_{LX}} = \frac{V_{SET}}{V_{OUT}} \frac{1 + sR_{ESR}C_{OUT}}{S^2LC_{OUT} + SR_{ESR}C_{OUT} + 1} \cong \frac{V_{SET}}{V_{OUT}} \frac{1 + SR_{ESR}C_{OUT}}{V_{OUT}S^2LC_{OUT} + 1}$$

Therefore:

$$A_L \cong \frac{g_{M\_COMP}}{S C_{COMP\_A}} \times \frac{1 + SR_{COMP}C_{COMP\_A}}{1 + SR_{COMP}C_{COMP\_B}} \times \frac{V_{IN}}{V_{RAMP}} \times \frac{V_{SET}}{V_{OUT}} \times \frac{1 + SR_{ESR}C_{OUT}}{S^2LC_{OUT} + 1}$$

For an ideal integrator, this loop gain approaches infinity at DC. In reality the  $g_M$  amplifier has a finite output impedance which imposes a finite, but large, loop gain. It is this large loop gain that provides DC load accuracy. The dominant pole occurs due to the integrator, and for this analysis, it can be approximated to occur at DC.  $R_{COMP}$  creates a zero at:

$$f_{Z\_COMP\_A} = \frac{1}{2\pi \times R_{COMP\_} C_{COMP\_A}}$$

The inductor and capacitor form a double pole at:

$$f_{LC} = \frac{1}{2\pi \times \sqrt{LC_{OUT}}}$$

At some higher frequency the output capacitor's impedance becomes insignificant compared to its ESR, and the LC system becomes more like an LR system, turning a double pole into a single pole. This zero occurs at:

$$f_{ESR} = \frac{1}{2\pi \times R_{ESR}C_{OUT}}$$

A final pole is added using  $C_{COMP\_B}$  to reduce the gain and attenuate noise after crossover. This pole ( $f_{COMP\_B}$ ) occurs at:

$$f_{COMP\_B} = \frac{1}{2\pi \times R_{COMP} C_{COMP\_B}}$$

Figure 8 shows a Bode plot of the poles and zeros in their relative locations.

Near crossover the following approximations can be made to simplify the loop-gain equation:

# Dual 180° Out-of-Phase PWM Step-Down Controller with Power Sequencing and POR

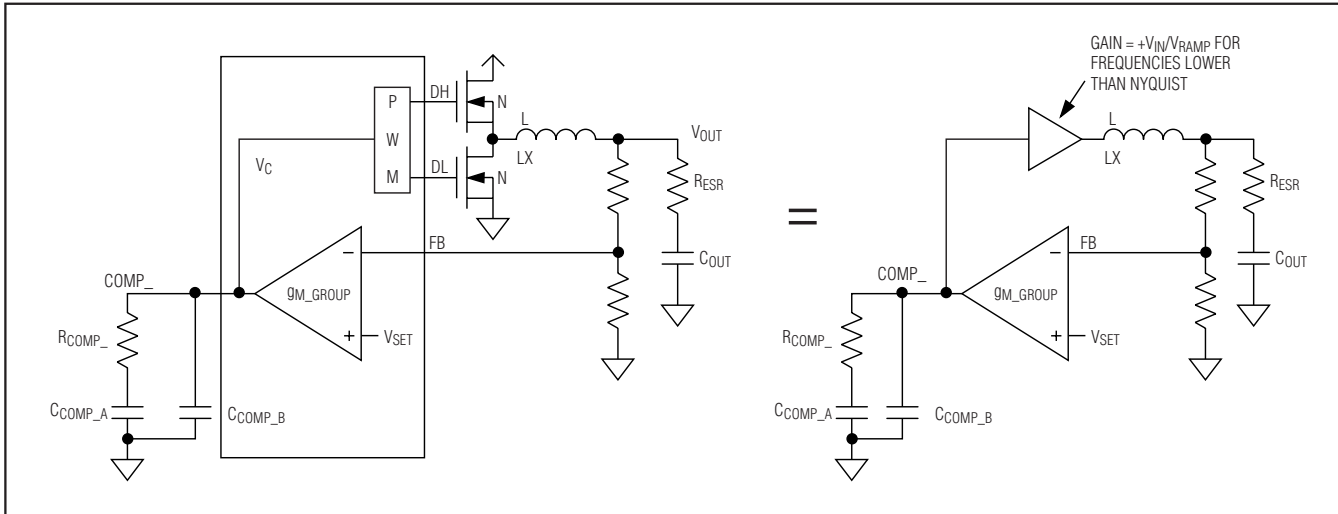


Figure 7. Fixed-Frequency Voltage-Mode Control Loop

- R<sub>COMP</sub> has much higher impedance than C<sub>COMP\_A</sub>. This is true if, and only if, crossover occurs above f<sub>Z\_COMP\_A</sub>. If this is true, C<sub>COMP\_A</sub> can be ignored (as a short to ground).
- R<sub>ESR</sub> is much higher impedance than C<sub>OUT</sub>. This is true if, and only if, crossover occurs well after the output capacitor's ESR zero. If this is true, C<sub>OUT</sub> becomes an insignificant part of the loop gain and can be ignored (as a short to ground).
- C<sub>COMP\_B</sub> is much higher impedance than R<sub>COMP</sub> and can be ignored (as an open circuit). This is true if, and only if, crossover occurs far below f<sub>COMP\_B</sub>.

The following loop-gain equation can be found by using these previous approximations with Figure 7:

$$A_L \cong \frac{V_{IN}}{V_{RAMP}} \times \frac{V_{SET}}{V_{OUT}} \times \frac{g_{M\_COMP} \times R_{COMP} \times R_{ESR}}{sL}$$

Setting the loop gain to 1 and solving for the crossover frequency yields:

$$f_{CO} = GBW = \frac{V_{IN}}{V_{RAMP}} \times \frac{V_{SET}}{V_{OUT}} \times \frac{g_{M\_COMP} \times R_{COMP} \times R_{ESR}}{2\pi \times L}$$

To ensure stability, select R<sub>COMP</sub> to meet the following criteria:

- Unity-gain crossover must occur below 1/5th of the switching frequency.
- For reasonable phase margin using type 1 compensation, f<sub>CO</sub> must be larger than 5 × f<sub>ESR</sub>.

Choose C<sub>COMP\_A</sub> so that f<sub>Z\_COMP\_A</sub> equals half f<sub>LC</sub> using the following equation:

$$C_{COMP\_A} = \frac{2 \times \sqrt{LC_{OUT}}}{R_{COMP}}$$

Choose C<sub>COMP\_B</sub> so that f<sub>COMP\_B</sub> occurs at 3 times f<sub>CO</sub> using the following equation:

$$C_{COMP\_B} = \frac{1}{2\pi \times (3 \times f_{CO}) \times R_{COMP}}$$

## MOSFET Selection

The MAX1858's step-down controller drives two external logic-level N-channel MOSFETs as the circuit switch elements. The key selection parameters are:

- On-resistance (R<sub>DS(ON)</sub>)
- Maximum drain-to-source voltage (V<sub>DS(MAX)</sub>)
- Minimum threshold voltage (V<sub>TH(MIN)</sub>)
- Total gate charge (Q<sub>g</sub>)
- Reverse transfer capacitance (C<sub>RSS</sub>)
- Power dissipation

# Dual 180° Out-of-Phase PWM Step-Down Controller with Power Sequencing and POR

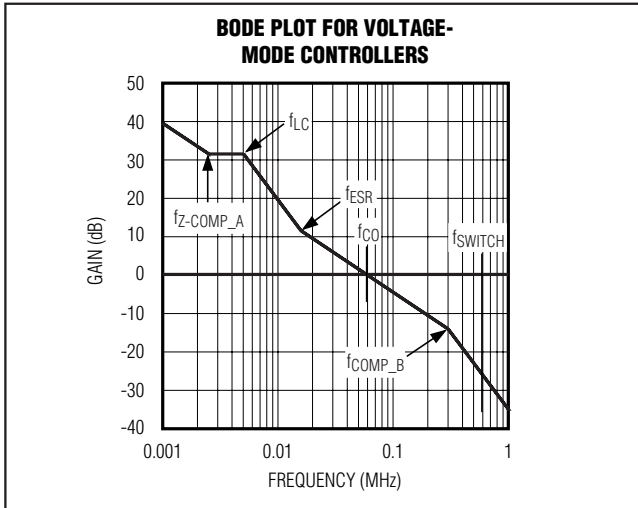


Figure 8. Voltage-Mode Loop Analysis

All four N-channel MOSFETs must be a logic-level type with guaranteed on-resistance specifications at  $V_{GS} \geq 4.5V$ . For maximum efficiency, choose a high-side MOSFET ( $N_{H\_}$ ) that has conduction losses equal to the switching losses at the optimum input voltage. Check to ensure that the conduction losses at minimum input voltage do not exceed MOSFET package thermal limits, or violate the overall thermal budget. Also, check to ensure that the conduction losses plus switching losses at the maximum input voltage do not exceed package ratings or violate the overall thermal budget.

Ensure that the MAX1858  $DL\_$  gate driver can drive  $N_{L\_}$ . In particular, check that the  $dv/dt$  caused by  $N_{H\_}$  turning on does not pull up the  $N_{L\_}$  gate through  $N_{L\_}$ 's drain-to-gate capacitance. This is the most frequent cause of cross-conduction problems.

Gate-charge losses are dissipated by the driver and do not heat the MOSFET. All MOSFETs must be selected so that their total gate charge is low enough that  $V_L$  can power all four drivers without overheating the IC:

$$P_{VL} = V_{IN} \times Q_{G\_TOTAL} \times f_{SW}$$

MOSFET package power dissipation often becomes a dominant design factor.  $I^2R$  power losses are the greatest heat contributor for both high-side and low-side MOSFETs.  $I^2R$  losses are distributed between  $N_{H\_}$  and  $N_{L\_}$  according to duty factor as shown in the equations below. Switching losses affect only the high-side MOSFET, since the low-side MOSFET is a zero-voltage switched device when used in the buck topology.

Calculate MOSFET temperature rise according to package thermal-resistance specifications to ensure that both MOSFETs are within their maximum junction temperature at high ambient temperature. The worst-case dissipation for the high-side MOSFET ( $P_{NH}$ ) occurs at both extremes of input voltage, and the worst-case dissipation for the low-side MOSFET ( $P_{NL}$ ) occurs at maximum input voltage.

$$P_{NH(SWITCHING)} = \frac{V_{IN} I_{LOAD} f_{OSC}}{2} \left( \frac{Q_{GS} + Q_{GD}}{I_{GATE}} \right)$$

$I_{GATE}$  is the average DH driver output current capability determined by:

$$I_{GATE} = \frac{V_L}{2(R_{DS(ON)DH} + R_{GATE})}$$

where  $R_{DS(ON)DH}$  is the high-side MOSFET driver's on-resistance ( $5\Omega$  max), and  $R_{GATE}$  is any series resistance between DH and BST (Figure 3).

$$P_{NH(CONDUCTION)} = I_{LOAD}^2 R_{DS(ON)NH} \left( \frac{V_{OUT}}{V_{IN}} \right)$$

$$P_{NH(TOTAL)} = P_{NH(SWITCHING)} + P_{NH(CONDUCTION)}$$

$$P_{NL} = I_{LOAD}^2 R_{DS(ON)NL} \left( 1 - \left( \frac{V_{OUT}}{V_{IN}} \right) \right)$$

where  $P_{NH(CONDUCTION)}$  is the conduction power loss in the high-side MOSFET, and  $P_{NL}$  is the total low-side power loss.

To reduce EMI caused by switching noise, add a  $0.1\mu F$  ceramic capacitor from the high-side switch drain to the low-side switch source or add resistors in series with  $DL\_$  and  $DH\_$  to increase the MOSFETs' turn-on and turn-off times.

## Applications Information

### Dropout Performance

When working with low input voltages, the output-voltage adjustable range for continuous-conduction operation is restricted by the minimum off-time ( $t_{OFF(MIN)}$ ). For best dropout performance, use the lowest (100kHz) switching-frequency setting. Manufacturing tolerances and internal propagation delays introduce an error to the switching frequency and minimum off-time specifications. This error is more significant at higher frequencies. Also, keep in mind that transient response performance of buck regulators operated close to dropout is poor, and bulk output

# Dual 180° Out-of-Phase PWM Step-Down Controller with Power Sequencing and POR

capacitance must often be added (see the  $V_{SAG}$  equation in the *Design Procedure* section).

The absolute point of dropout is when the inductor current ramps down during the minimum off-time ( $\Delta I_{DOWN}$ ) as much as it ramps up during the maximum on-time ( $\Delta I_{UP}$ ). The ratio  $h = \Delta I_{UP}/\Delta I_{DOWN}$  is an indicator of the ability to slew the inductor current higher in response to increased load, and must always be greater than 1. As  $h$  approaches 1, the absolute minimum dropout point, the inductor current cannot increase as much during each switching cycle and  $V_{SAG}$  greatly increases unless additional output capacitance is used.

A reasonable minimum value for  $h$  is 1.5, but adjusting this up or down allows tradeoffs between  $V_{SAG}$ , output capacitance, and minimum operating voltage. For a given value of  $h$ , the minimum operating voltage can be calculated as:

$$V_{IN(MIN)} = \left[ \frac{V_{OUT} + V_{DROP1}}{1 - hf_{SW}t_{OFF(MIN)}} \right] + V_{DROP2} - V_{DROP1}$$

where  $V_{DROP1}$  is the sum of the parasitic voltage drops in the inductor discharge path, including synchronous rectifier, inductor, and PC board resistances;  $V_{DROP2}$  is the sum of the resistances in the charging path, including high-side switch, inductor, and PC board resistances; and  $t_{OFF(MIN)}$  is from the *Electrical Characteristics*. The absolute minimum input voltage is calculated with  $h = 1$ .

If the calculated  $V_{+(MIN)}$  is greater than the required minimum input voltage, then reduce the operating frequency or add output capacitance to obtain an acceptable  $V_{SAG}$ . If operation near dropout is anticipated, calculate  $V_{SAG}$  to be sure of adequate transient response.

Dropout Design Example:

$$V_{OUT} = 5V$$

$$f_{SW} = 600kHz$$

$$t_{OFF(MIN)} = 250ns$$

$$V_{DROP1} = V_{DROP2} = 100mV$$

$$h = 1.5$$

$$V_{IN(MIN)} = \left[ \frac{5V + 100mV}{1 - 1.5(600kHz)(250ns)} \right] + 100mV - 100mV = 6.58V$$

Calculating again with  $h = 1$  gives the absolute limit of dropout:

$$V_{IN(MIN)} = \left[ \frac{5V + 100mV}{1 - (600kHz)(250ns)} \right] + 100mV - 100mV = 6V$$

Therefore,  $V_{IN}$  must be greater than 6V, even with very large output capacitance, and a practical input voltage with reasonable output capacitance would be 6.58V.

## Improving Noise Immunity

Applications where the MAX1858 must operate in noisy environments can typically adjust their controller's compensation to improve the system's noise immunity. In particular, high-frequency noise coupled into the feedback loop causes jittery duty cycles. One solution is to lower the crossover frequency (see the *Compensation* section).

## PC Board Layout Guidelines

Careful PC board layout is critical to achieve low switching losses and clean, stable operation. This is especially true for dual converters where one channel can affect the other. Refer to the MAX1858 EV kit data sheet for a specific layout example.

If possible, mount all of the power components on the top side of the board with their ground terminals flush against one another. Follow these guidelines for good PC board layout:

- Isolate the power components on the top side from the analog components on the bottom side with a ground shield. Use a separate PGND plane under the OUT1 and OUT2 sides (referred to as PGND1 and PGND2). Avoid the introduction of AC currents into the PGND1 and PGND2 ground planes. Run the power plane ground currents on the top side only.
- Use a star ground connection on the power plane to minimize the crosstalk between OUT1 and OUT2.
- Keep the high-current paths short, especially at the ground terminals. This practice is essential for stable, jitter-free operation.
- Connect GND and PGND together close to the IC. Do not connect them together anywhere else. Carefully follow the grounding instructions under step 4 of the *Layout Procedure* section.
- Keep the power traces and load connections short. This practice is essential for high efficiency. Use thick copper PC boards (2oz vs. 1oz) to enhance full-load efficiency by 1% or more.
- LX\_ and PGND connections to the synchronous rectifiers for current limiting must be made using Kelvin sense connections to guarantee the current-limit accuracy. With 8-pin SO MOSFETs, this is best done

# Dual 180° Out-of-Phase PWM Step-Down Controller with Power Sequencing and POR

by routing power to the MOSFETs from outside using the top copper layer, while connecting PGND and LX\_ underneath the 8-pin SO package.

- When trade-offs in trace lengths must be made, allow the inductor-charging path to be made longer than the discharge path. Since the average input current is lower than the average output current in step-down converters, this minimizes the power dissipation and voltage drops caused by board resistance. For example, allow some extra distance between the input capacitors and the high-side MOSFET rather than to allow distance between the inductor and the low-side MOSFET or between the inductor and the output filter capacitor.
- Ensure that the feedback connection to COUT\_ is short and direct.
- Route high-speed switching nodes (BST\_, LX\_, DH\_, and DL\_) away from the sensitive analog areas (REF, COMP\_, ILIM\_, and FB\_). Use PGND1 and PGND2 as EMI shields to keep radiated noise away from the IC, feedback dividers, and analog bypass capacitors.
- Make all pin-strap control input connections (ILIM\_, SYNC, and EN) to analog ground (GND) rather than power ground (PGND).

## Layout Procedure

- 1) Place the power components first, with ground terminals adjacent (NL\_ source, CIN\_, and COUT\_). Make

all these connections on the top layer with wide, copper-filled areas (2oz copper recommended).

- 2) Mount the controller IC adjacent to the synchronous rectifier MOSFETs (NL\_), preferably on the back side in order to keep LX\_, PGND\_, and DL\_ traces short and wide. The DL\_ gate trace must be short and wide, measuring 50mils to 100mils wide if the low-side MOSFET is 1in from the controller IC.
- 3) Group the gate-drive components (BST\_ diodes and capacitors, and VL bypass capacitor) together near the controller IC.
- 4) Make the DC-DC controller ground connections as follows: create a small analog ground plane near the IC. Connect this plane to GND and use this plane for the ground connection for the reference (REF), V+ bypass capacitor, compensation components, feedback dividers, OSC resistor, and ILIM\_ resistors (if any). Connect GND and PGND together under the IC (this is the only connection between GND and PGND).
- 5) On the board's top side (power planes), make a star ground to minimize crosstalk between the two sides.

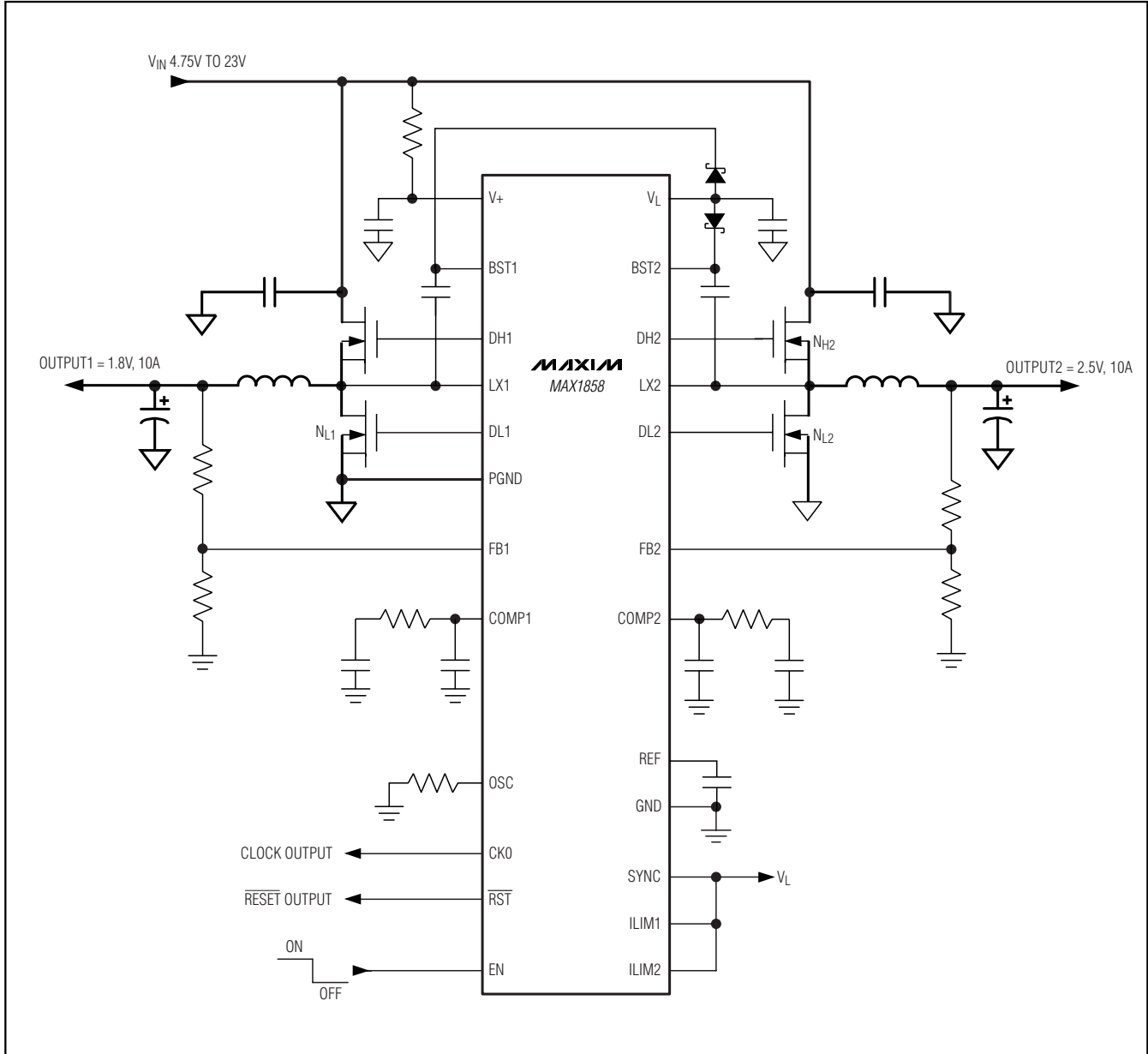
## Chip Information

TRANSISTOR COUNT: 6688

PROCESS: BiCMOS

# Dual 180° Out-of-Phase PWM Step-Down Controller with Power Sequencing and POR

## Typical Operating Circuit



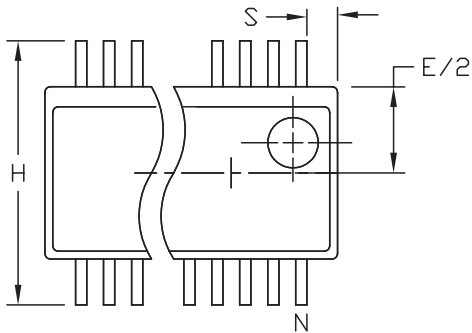
# Dual 180° Out-of-Phase PWM Step-Down Controller with Power Sequencing and POR

## Package Information

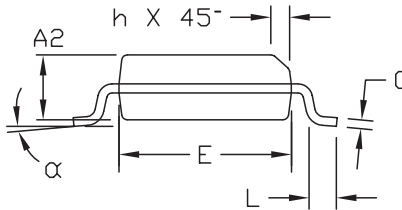
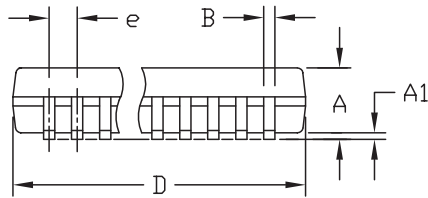
(The package drawing(s) in this data sheet may not reflect the most current specifications. For the latest package outline information, go to [www.maxim-ic.com/packages](http://www.maxim-ic.com/packages).)

**MAX1858**

QSOP-EPS



DIM	INCHES		MILLIMETERS	
	MIN	MAX	MIN	MAX
A	.061	.068	1.55	1.73
A1	.004	.0098	0.102	0.249
A2	.055	.061	1.40	1.55
B	.008	.012	0.20	0.31
C	.0075	.0098	0.191	0.249
D	SEE VARIATIONS			
E	.150	.157	3.81	3.99
e	.025 BSC		0.635 BSC	
H	.230	.244	5.84	6.20
h	.010	.016	0.25	0.41
L	.016	.035	0.41	0.89
N	SEE VARIATIONS			
α	0°	8°	0°	8°



### VARIATIONS:

	INCHES		MILLIMETERS		N
	MIN.	MAX.	MIN.	MAX.	
D	.189	.196	4.80	4.98	16 AA
S	.0020	.0070	0.05	0.18	
D	.337	.344	8.56	8.74	20 AB
S	.0500	.0550	1.270	1.397	
D	.337	.344	8.56	8.74	24 AC
S	.0250	.0300	0.635	0.762	
D	.386	.393	9.80	9.98	28 AD
S	.0250	.0300	0.635	0.762	

### NOTES:

- 1). D & E DO NOT INCLUDE MOLD FLASH OR PROTRUSIONS.
- 2). MOLD FLASH OR PROTRUSIONS NOT TO EXCEED .006" PER SIDE.
- 3). CONTROLLING DIMENSIONS: INCHES.
- 4). MEETS JEDEC MO137.

**MAXIM**

PROPRIETARY INFORMATION

TITLE:  
PACKAGE OUTLINE, QSOP, .150", .025" LEAD PITCH

APPROVAL:	DOCUMENT CONTROL NO.	REV	1/1
	21-0055	D	

Maxim cannot assume responsibility for use of any circuitry other than circuitry entirely embodied in a Maxim product. No circuit patent licenses are implied. Maxim reserves the right to change the circuitry and specifications without notice at any time.

**Maxim Integrated Products, 120 San Gabriel Drive, Sunnyvale, CA 94086 408-737-7600** \_\_\_\_\_ **21**

## Looking for pricing, stock, or lifecycle information?

Click below to explore more details on WIN SOURCE:

- ⊖ [View MAX1858EEG+T on WIN SOURCE](#)
- ⊖ [Maxim Integrated Information](#)

## Optimize Your Supply Chain with WIN SOURCE Solutions

- ✓ Global Sourcing Solution
- ✓ Obsolete Management
- ✓ Cost Control Management
- ✓ Shortage Management
- ✓ Alternative Solution
- ✓ Excess Inventory Management