



**THE DATASHEET OF  
MAX303ESE+**





## Precision, Dual, High-Speed Analog Switches

### General Description

The MAX301/MAX303/MAX305 are precision, dual, high-speed analog switches. The single-pole single-throw (SPST) MAX301 and double-pole single-throw (DPST) MAX305 dualswitches are normally open (NO). The single-pole double-throw (SPDT) MAX303 has two NO and two normally closed (NC) poles. All three parts offer low on resistance (less than  $35\Omega$ ), guaranteed to match to within  $2\Omega$  between channels and to remain flat over the full analog signal range ( $\Delta 3\text{max}$ ). They also offer low leakage (less than  $250\text{pA}$  at  $+25^\circ\text{C}$  and less than  $6\text{nA}$  at  $+85^\circ\text{C}$ ) and fast switching (turn-on time less than  $150\text{ns}$  and turn-off time less than  $100\text{ns}$ ).

The MAX301/MAX303/MAX305 are fabricated with Maxim's new improved silicon-gate process for high system accuracy. Design improvements guarantee extremely low charge injection ( $15\text{pC}$ ) and low power consumption ( $35\mu\text{W}$ ). A  $44\text{V}$  maximum breakdown voltage allows rail-to-rail analog signal capability.

These monolithic switches operate with a single positive supply ( $+10\text{V}$  to  $+30\text{V}$ ) or with split supplies ( $\pm 4.5\text{V}$  to  $\pm 20\text{V}$ ) while retaining CMOS-logic input compatibility and fast switching. CMOS inputs provide reduced input loading.

### Applications

Sample-and-Hold Circuits	Military Radios
Test Equipment	Communication Systems
Heads-Up Displays	Battery-Operated Systems
Guidance and Control Systems	PBX, PABX

### Features

- ◆ Low On-Resistance  $< 22\Omega$  Typical ( $35\Omega$  Max)
- ◆ Guaranteed Matched On-Resistance Between Channels  $< 2\Omega$
- ◆ Guaranteed Flat On-Resistance over Full Analog Signal Range  $\Delta 3\Omega$  Max
- ◆ Guaranteed Charge Injection  $< 15\text{pC}$
- ◆ Guaranteed Off-Channel Leakage  $< 6\text{nA}$  at  $+85^\circ\text{C}$
- ◆ Single-Supply Operation ( $+10\text{V}$  to  $+30\text{V}$ )  
Bipolar-Supply Operation ( $\pm 4.5\text{V}$  to  $\pm 20\text{V}$ )
- ◆ TTL-/CMOS-Logic Compatible
- ◆ Rail-to-Rail Analog Signal Handling Capability

### Ordering Information

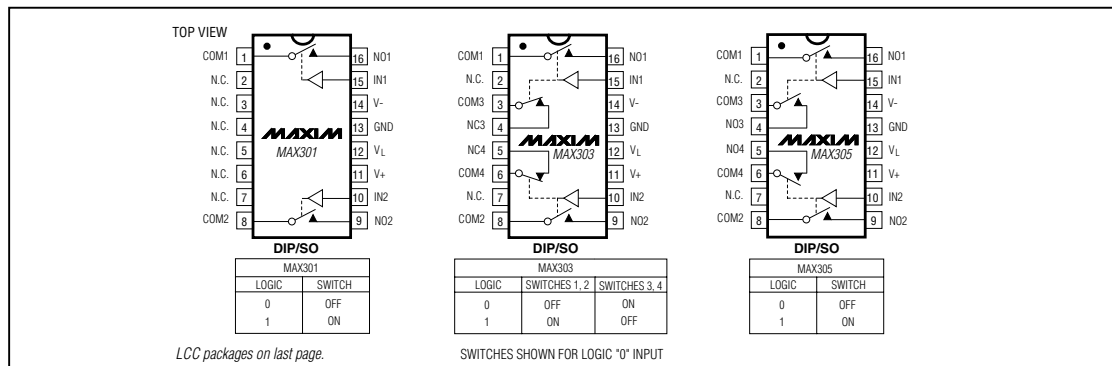
PART	TEMP RANGE	PIN-PACKAGE	PKG CODE
MAX301CPE	$0^\circ\text{C}$ to $+70^\circ\text{C}$	16 Plastic DIP	P16-1
MAX301CSE	$0^\circ\text{C}$ to $+70^\circ\text{C}$	16 Narrow SO	S16-2
MAX301CJE	$0^\circ\text{C}$ to $+70^\circ\text{C}$	16 CERDIP	J16-3
MAX301C/D	$0^\circ\text{C}$ to $+70^\circ\text{C}$	Dice*	—
MAX301EPE	$-40^\circ\text{C}$ to $+85^\circ\text{C}$	16 Plastic DIP	P16-1
MAX301ESE	$-40^\circ\text{C}$ to $+85^\circ\text{C}$	16 Narrow SO	S16-2
MAX301EJE	$-40^\circ\text{C}$ to $+85^\circ\text{C}$	16 CERDIP	J16-3
MAX301MJE	$-55^\circ\text{C}$ to $+125^\circ\text{C}$	16 CERDIP**	J16-3
MAX301MLP	$-55^\circ\text{C}$ to $+125^\circ\text{C}$	20LCC*	L20-3

Ordering Information continued on last page.

\*Contact factory for dice specifications.

\*\*Contact factory for package availability.

### Pin Configurations/Block Diagrams/Truth Tables



**MAXIM**

Maxim Integrated Products 1

For pricing, delivery, and ordering information, please contact Maxim Direct at 1-888-629-4642, or visit Maxim's website at [www.maxim-ic.com](http://www.maxim-ic.com).

MAX301/MAX303/MAX305

# Precision, Dual, High-Speed Analog Switches

## ABSOLUTE MAXIMUM RATINGS

Voltage Referenced to V-

V+ .....	44V
GND .....	25V
V <sub>L</sub> .....	(GND-0.3V) to (V+) +0.3V
NO <sub>-</sub> , NC <sub>-</sub> , IN <sub>-</sub> , COM <sub>-</sub> .....	(V- - 2V) to (V+ + 2V) or 30mA, .....whichever occurs first
Continuous Current, COM <sub>-</sub> , NO <sub>-</sub> , NC <sub>-</sub> .....	30mA
Peak Current, COM <sub>-</sub> , NO <sub>-</sub> , NC <sub>-</sub> (pulsed at 1ms, 10% duty cycle max) .....	100mA

Continuous Power Dissipation (T<sub>A</sub> = +70°C) (Note 2)

16-Pin Plastic DIP (derate 10.53mW/°C above +70°C) .....	842mW
16-Pin Narrow SO (derate 8.70mW/°C above +70°C) .....	696mW
16-Pin CERDIP (derate 10.00mW/°C above +70°C) .....	800mW
20-Pin LCC (derate 9.09mW/°C above +70°C) .....	727mW

Operating Temperature Ranges:

MAX30_C_ .....	0°C to +70°C
MAX30_E_ .....	-40°C to +85°C
MAX30_M_ .....	-55°C to +125°C

Storage Temperature Range .....

Lead Temperature (soldering, 10s) .....	+300°C
---	--------

**Note 1:** Signals on NO<sub>-</sub>, NC<sub>-</sub>, or COM<sub>-</sub> beyond V+ or V- are clamped by internal diodes. Limit forward current to maximum current rating. Stresses beyond those listed under "Absolute Maximum Ratings" may cause permanent damage to the device. These are stress ratings only, and functional operation of the device at these or any other conditions beyond those indicated in the operational sections of the specifications is not implied. Exposure to absolute maximum rating conditions for extended periods may affect device reliability.

## ELECTRICAL CHARACTERISTICS

(V+ = 15V, V- = -15V, V<sub>L</sub> = +5V, GND = 0V, V<sub>INH</sub> = +2.4V, V<sub>INL</sub> = +0.8V, T<sub>A</sub> = T<sub>MIN</sub> to T<sub>MAX</sub>, unless otherwise noted.)

PARAMETER	SYMBOL	CONDITIONS	TEMP RANGE	MIN	TYP (Note 2)	MAX	UNITS	
<b>SWITCH</b>								
Analog-Signal Range	V <sub>ANA</sub>	(Note 3)		V-		V+	V	
On-Resistance	R <sub>ON</sub>	I <sub>(NC or NO)</sub> = -10mA, V <sub>COM-</sub> = ±10V V <sub>INH</sub> = 2.4V, V <sub>INL</sub> = 0.8V	T <sub>A</sub> = +25°C	C, E	20	35	Ω	
			T <sub>A</sub> = T <sub>MIN</sub> to T <sub>MAX</sub>	M	20	30		
			T <sub>A</sub> = +25°C	C, E		55		
			T <sub>A</sub> = T <sub>MIN</sub> to T <sub>MAX</sub>	M		45		
On-Resistance Match Between Channels (Note 4)	R <sub>ON</sub>	I <sub>(NC or NO)</sub> = -10mA, V <sub>COM-</sub> = ±10V V+ = 15V, V- = -15V	T <sub>A</sub> = +25°C	C, E, M	0.5	2	Ω	
			T <sub>A</sub> = T <sub>MIN</sub> to T <sub>MAX</sub>	C, E, M		3		
On-Resistance Flatness (Note 4)	R <sub>ON</sub>	I <sub>S</sub> = -10mA V <sub>COM-</sub> = ±5V V+ = 15V, V- = -15V	T <sub>A</sub> = +25°C	C, E, M		3	Ω	
			T <sub>A</sub> = T <sub>MIN</sub> to T <sub>MAX</sub>	C, E, M		5		
NC or NO Off-Leakage Current	NC <sub>(OFF)</sub> or NO <sub>(OFF)</sub>	V <sub>COM-</sub> = ±15.5V, V <sub>NC-</sub> or V <sub>NO-</sub> = ±15.5V, V+ = 16.5V, V- = -16.5V	T <sub>A</sub> = +25°C	C, E	-0.50	-0.01	0.50	nA
			T <sub>A</sub> = T <sub>MIN</sub> to T <sub>MAX</sub>	M	-0.25	-0.01	0.25	
			T <sub>A</sub> = +25°C	C, E	-6		6	
			T <sub>A</sub> = T <sub>MIN</sub> to T <sub>MAX</sub>	M	-20		20	
COM Off-Leakage Current	COM <sub>OFF</sub>	V <sub>COM-</sub> = ±15.5V, V <sub>NC-</sub> or V <sub>NO-</sub> = ±15.5V, V+ = 16.5V, V- = -16.5V	T <sub>A</sub> = +25°C	C, E	-0.50	-0.01	0.50	nA
			T <sub>A</sub> = T <sub>MIN</sub> to T <sub>MAX</sub>	M	-0.25	-0.01	0.25	
			T <sub>A</sub> = +25°C	C, E	-6		6	
			T <sub>A</sub> = T <sub>MIN</sub> to T <sub>MAX</sub>	M	-20		20	
COM On-Leakage Current	COM <sub>ON</sub>	V <sub>COM-</sub> = ±15.5V, V <sub>NC-</sub> or V <sub>NO-</sub> = ±15.5V, V+ = 16.5V, V- = -16.5V	T <sub>A</sub> = +25°C	C, E	-1.0	-0.04	1.0	nA
			T <sub>A</sub> = T <sub>MIN</sub> to T <sub>MAX</sub>	M	-0.4	-0.04	0.4	
			T <sub>A</sub> = +25°C	C, E	-20		20	
			T <sub>A</sub> = T <sub>MIN</sub> to T <sub>MAX</sub>	M	-40.0		40.0	

# Precision, Dual, High-Speed Analog Switches

MAX301/MAX303/MAX305

## ELECTRICAL CHARACTERISTICS (continued)

(V+ = 15V, V- = -15V, VL = +5V, GND = 0V, VINH = +2.4V, VINL = +0.8V, TA = TMIN to TMAX, unless otherwise noted.)

PARAMETER	SYMBOL	CONDITIONS	MIN	TYP (Note 2)	MAX	UNITS	
<b>INPUT</b>							
Input Current with Input-Voltage High	I <sub>INH</sub>	V <sub>INL</sub> = 2.4V, all others = 0.8V	-1.000	0.005	1.000	μA	
Input Current with Input-Voltage Low	I <sub>INH</sub>	V <sub>INL</sub> = 0.8V, all others = 2.4V	-1.000	0.005	1.000	μA	
<b>SUPPLY</b>							
Power-Supply Range			±4.5		±20	V	
Positive Supply Current	I+	All channels on or off, V <sub>IN</sub> = 0V or 5V, V+ = 16.5V, V- = -16.5V	T <sub>A</sub> = +25°C	-1.00	0.01	1.00	μA
			T <sub>A</sub> = T <sub>MIN</sub> to T <sub>MAX</sub>	-5.00		5.00	
Negative Supply Current	I-	All channels on or off, V <sub>IN</sub> = 0V or 5V, V+ = 16.5V, V- = -16.5V	T <sub>A</sub> = +25°C	-1.00	-0.01	1.00	μA
			T <sub>A</sub> = T <sub>MIN</sub> to T <sub>MAX</sub>	-5.00		5.00	
Logic-Supply Current	I <sub>L</sub>	All channels on or off, V <sub>IN</sub> = 0V or 5V, V+ = 16.5V, V- = -16.5V	T <sub>A</sub> = +25°C	-1.00	0.01	1.00	μA
			T <sub>A</sub> = T <sub>MIN</sub> to T <sub>MAX</sub>	-5.00		5.00	
Ground Current	I <sub>GND</sub>	All channels on or off, V <sub>IN</sub> = 0V or 5V, V+ = 16.5V, V- = -16.5V	T <sub>A</sub> = +25°C	-1.00	-0.01	1.00	μA
			T <sub>A</sub> = T <sub>MIN</sub> to T <sub>MAX</sub>	-5.00		5.00	
<b>DYNAMIC</b>							
Turn-On Time	t <sub>ON</sub>	Figure 1			100	150	ns
Turn-Off Time	t <sub>OFF</sub>	Figure 1			60	100	ns
Break-Before-Make Time Delay (Note 3)	t <sub>D</sub>	MAX303 only, Figure 2			10	20	ns
Charge Injection (Note 3)	Q	C <sub>L</sub> = 10nF, V <sub>GEN</sub> = 0V, R <sub>GEN</sub> = 0Ω, Figure 3			10	15	pC
Off-Isolation (Note 5)	OIRR	R <sub>L</sub> = 100Ω, C <sub>L</sub> = 5pF, f = 1MHz, Figure 4			72		dB
Crosstalk (Note 6)		R <sub>L</sub> = 50Ω, C <sub>L</sub> = 5pF, f = 1MHz, Figure 5			90		dB
Off-Capacitance	C <sub>OF</sub>	f = 1MHz, Figure 6			12		pF
COM Off-Capacitance	C <sub>COM(OFF)</sub>	f = 1MHz, Figure 6			12		pF
Channel-On Capacitance	C <sub>COM(ON)</sub>	f = 1MHz, Figure 7			39		pF

**Note 2:** The algebraic convention, where the most negative value is a minimum and the most positive value a maximum, is used on this data sheet.

**Note 3:** Guaranteed by design.

**Note 4:**  $\Delta R_{ON} = \Delta R_{ONMAX} - \Delta R_{ONMIN}$ . On resistance match between channels and flatness are guaranteed only with specified voltages.

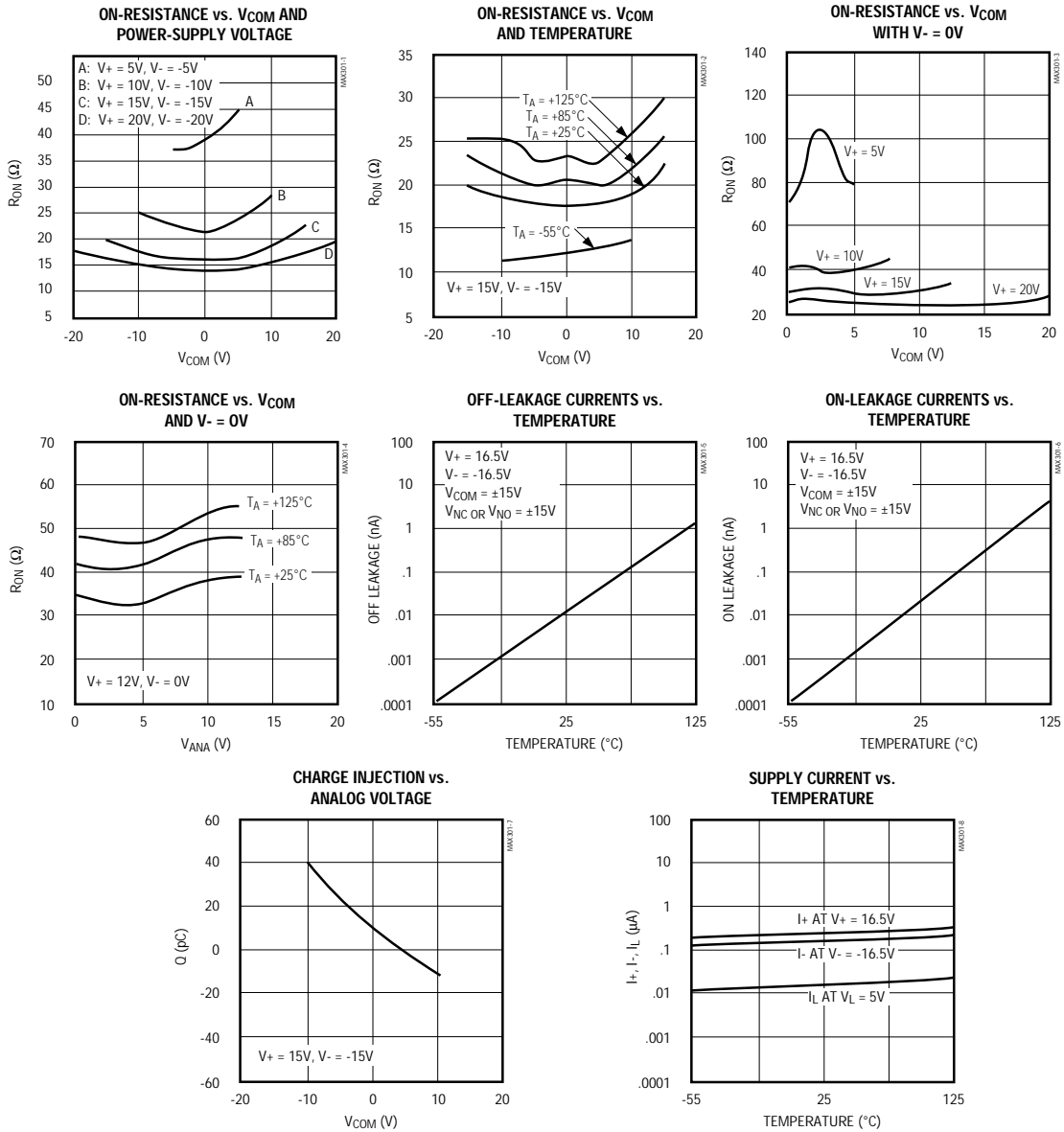
**Note 5:** See Figure 4. Off isolation =  $20 \log_{10} V_{COM}/V_{NC}$  or  $V_{NO}$ . V<sub>COM</sub> = output, V<sub>NC</sub> or V<sub>NO</sub> = input to off switch.

**Note 6:** Between any two switches. See Figure 5.

# Precision, Dual, High-Speed Analog Switches

## Typical Operating Characteristics

( $T_A = +25^\circ\text{C}$ , unless otherwise noted).



# Precision, Dual, High-Speed Analog Switches

MAX301/MAX303/MAX305

## Pin Descriptions

MAX301 PIN		NAME	FUNCTION
DIP/SO	LCC		
1, 8	2, 10	COM1, COM2	Drain (Analog Signal)
2-7	1, 3-9, 11, 16	N.C.	Not internally connected
9, 16	5, 7, 12, 20	NC1, NC2	Source (Analog Signal)
10, 15	13, 19	IN2, IN1	Digital Logic Inputs
11	14	V+	Positive Supply-Voltage Input—connected to substrate
12	15	V <sub>L</sub>	Logic Supply-Voltage Input
13	17	GND	Ground
14	18	V-	Negative Supply Voltage Input
MAX303 PIN		NAME	FUNCTION
DIP/SO	LCC		
1, 8, 3, 6	2, 4, 8, 10	COM <sub>-</sub>	Drain (Analog Signal)
2-7	1, 3, 6, 9, 11, 16	N.C.	Not internally connected
11	14	V+	Positive Supply-Voltage Input—connected to substrate
12	15	V <sub>L</sub>	Logic Supply-Voltage Input
13	17	GND	Ground
14	18	V-	Negative Supply Voltage Input
15, 10	19, 13	IN1, IN2	Digital Logic Inputs
16, 9, 5, 4	5, 7, 12, 20	NC <sub>-</sub> , NO <sub>-</sub>	Source (Analog Signal)
MAX305 PIN		NAME	FUNCTION
DIP/SO	LCC		
1, 8, 3, 6	2, 4, 8, 10	COM <sub>-</sub>	Drain (Analog Signal)
2-7	1, 3, 6, 9, 11, 16	N.C.	Not internally connected
11	14	V+	Positive Supply-Voltage Input—connected to substrate
12	15	V <sub>L</sub>	Logic Supply-Voltage Input
13	17	GND	Ground
14	18	V-	Negative Supply Voltage
15, 10	19, 13	IN1, IN2	Digital Logic Inputs
16, 9, 5, 4	5, 7, 12, 20	NO <sub>-</sub>	Source (Analog Signal)

## Applications Information

### Operation with Supply Voltages Other than ±15V

The MAX301/MAX303/MAX305 switches operate with ±4.5V to ±20V bipolar supplies and a +10V to +30V single supply. In either case, analog signals ranging from V+ to V- can be switched. The *Typical Operating Characteristics* graphs show the typical on-resistance variation with analog signal and supply voltage. The usual on-resistance temperature coefficient is 0.5%/°C (typ).

### Logic Inputs

The MAX301/MAX303/MAX305 operate with a single positive supply or with bipolar supplies. The devices maintain TTL compatibility with supplies anywhere in the ±4.5V to ±20V range as long as V<sub>L</sub> = +5V. If V<sub>L</sub> is connected to V+ or another supply at voltages other than +5V, the devices will operate at CMOS-logic level inputs.

### Overvoltage Protection

Proper power-supply sequencing is recommended for all CMOS devices. It is important not to exceed the absolute maximum ratings because stresses beyond the listed ratings may cause permanent damage to the devices. Always sequence V+ on first, followed by V<sub>L</sub>, V-, and logic inputs. If power-supply sequencing is not possible, add two small signal diodes in series with the supply pins for overvoltage protection (Figure 1). Adding diodes reduces the analog signal range to 1V below V+ and 1V below V-, but low switch resistance and low leakage characteristics are unaffected. Device operation is unchanged, and the difference between V+ to V- should not exceed +44V.

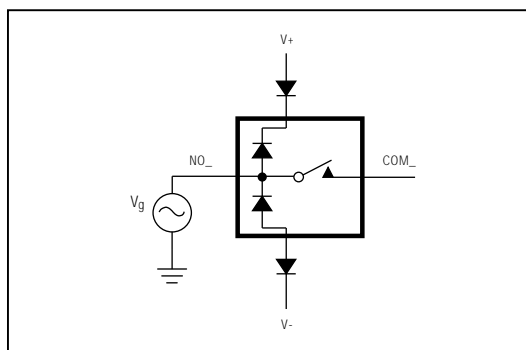


Figure 1. Overvoltage Protection Using Blocking Diodes

# Precision, Dual, High-Speed Analog Switches

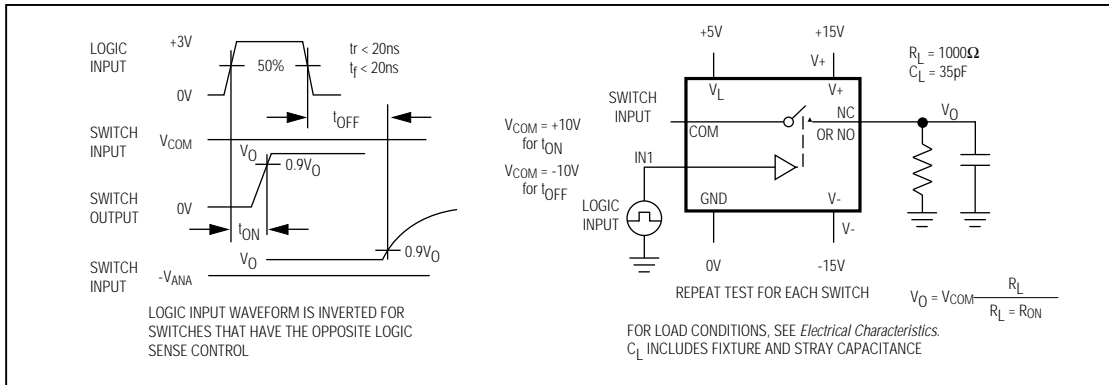


Figure 2. Switching-Time Test Circuit

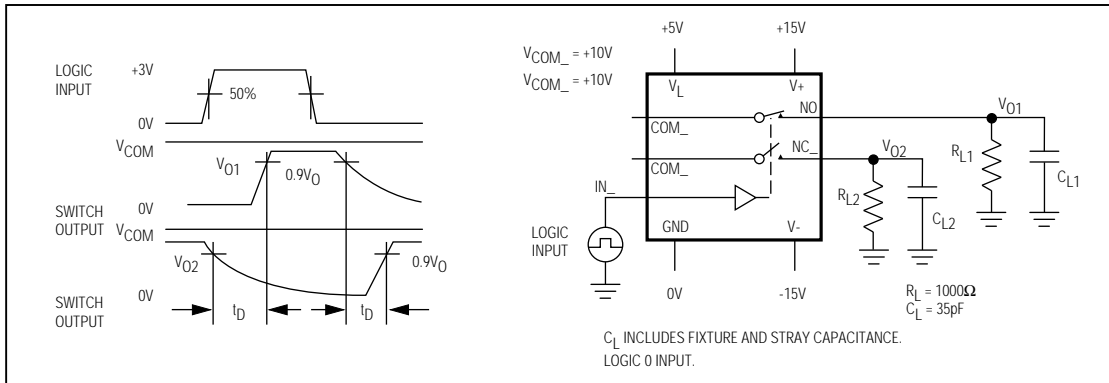


Figure 3. Break-Before-Make Test Circuit

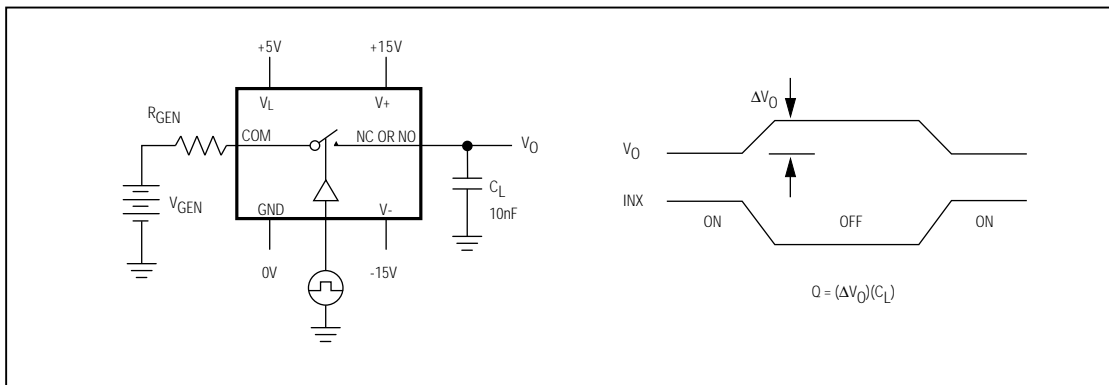


Figure 4. Charge-Injection Test Circuit

# Precision, Dual, High-Speed Analog Switches

MAX301/MAX303/MAX305

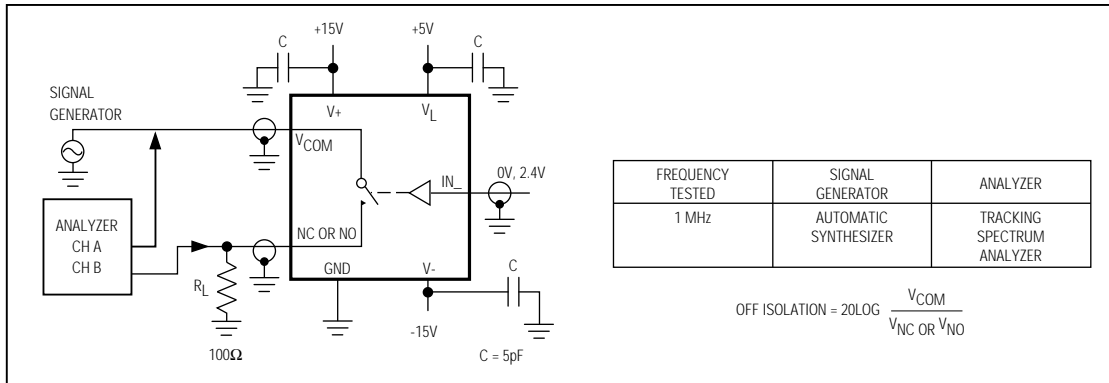


Figure 5. Off Isolation

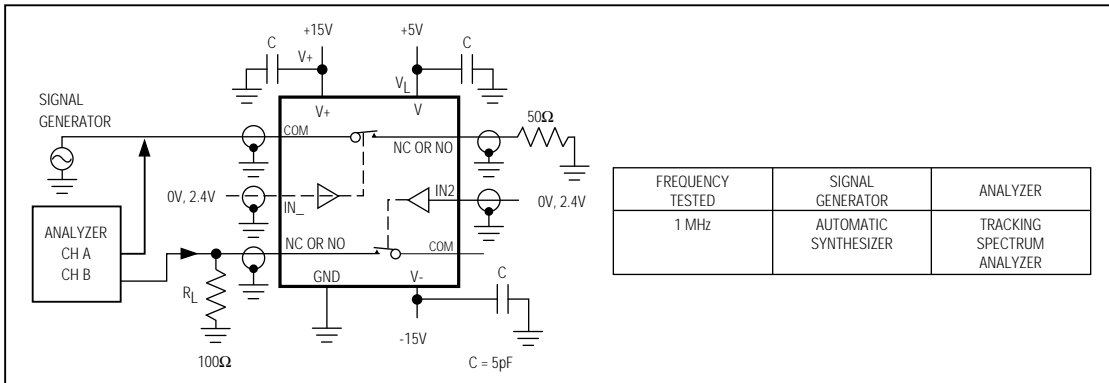


Figure 6. Crosstalk Test Circuit

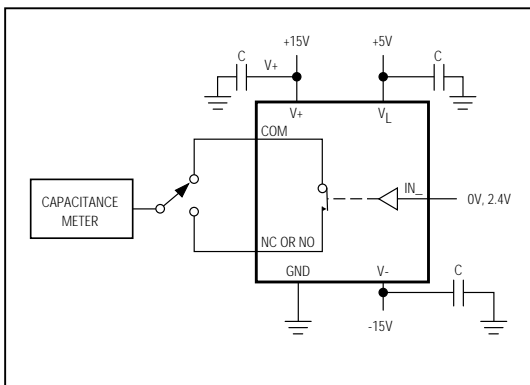


Figure 7. Channel On-Capacitance

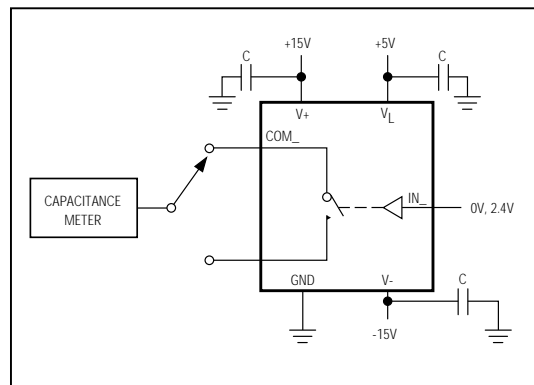


Figure 8. Channel Off-Capacitance

# Precision, Dual, High-Speed Analog Switches

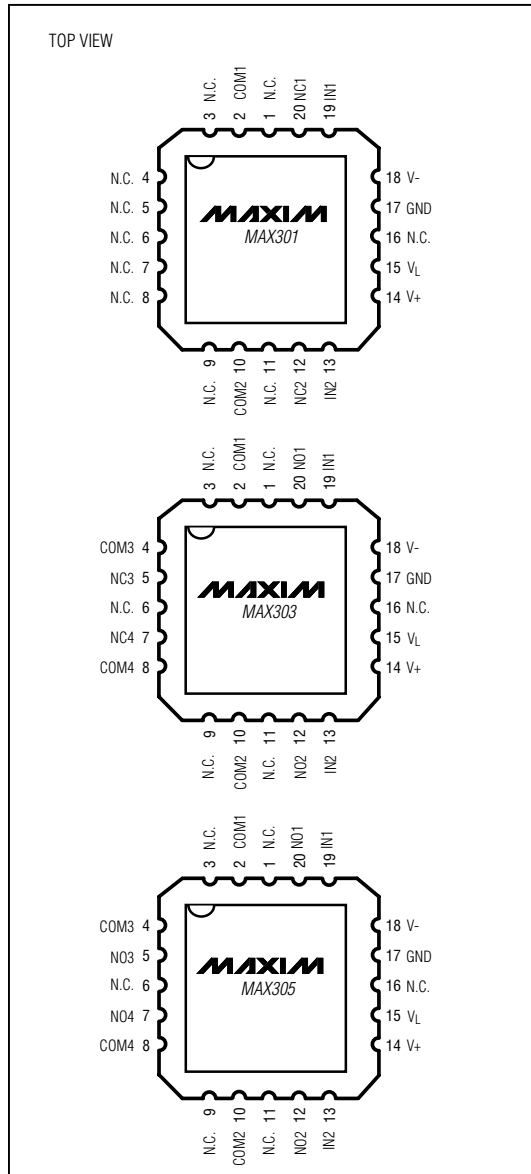
**MAX301/MAX303/MAX305**

## Ordering Information (continued)

PART	TEMP RANGE	PIN-PACKAGE	PKG CODE
MAX303CPE	0°C to +70°C	16 Plastic DIP	P16-1
MAX303CSE	0°C to +70°C	16 Narrow SO	S16-2
MAX303CJE	0°C to +70°C	16 CERDIP	J16-3
MAX303C/D	0°C to +70°C	Dice*	—
MAX303EPE	-40°C to +85°C	16 Plastic DIP	P16-1
MAX303ESE	-40°C to +85°C	16 Narrow SO	S16-2
MAX303EJE	-40°C to +85°C	16 CERDIP	J16-3
MAX303MJE	-55°C to +125°C	16 CERDIP	J16-3
MAX303MLP	-55°C to +125°C	20LCC*	L20-3
MAX305CPE	0°C to +70°C	16 Plastic DIP	P16-1
MAX305CSE	0°C to +70°C	16 Narrow SO	S16-2
MAX305CJE	0°C to +70°C	16 CERDIP	J16-3
MAX305C/D	0°C to +70°C	Dice*	—
MAX305EPE	-40°C to +85°C	16 Plastic DIP	P16-1
MAX305ESE	-40°C to +85°C	16 Narrow SO	S16-2
MAX305EJE	-40°C to +85°C	16 CERDIP	J16-3
MAX305MJE	-55°C to +125°C	16 CERDIP	J16-3
MAX305MLP	-55°C to +125°C	20LCC*	L20-3

\* Dice are tested at  $T_A = +25^\circ\text{C}$  only.  
 \*\* Contact factory for availability.

## Pin Configurations (continued)



## Revision History

Pages changed at Rev 1: 1, 7, 8

Maxim cannot assume responsibility for use of any circuitry other than circuitry entirely embodied in a Maxim product. No circuit patent licenses are implied. Maxim reserves the right to change the circuitry and specifications without notice at any time.



8 Maxim Integrated Products, 120 San Gabriel Drive, Sunnyvale, CA 94086 408-737-7600

© 2007 Maxim Integrated Products

MAXIM is a registered trademark of Maxim Integrated Products, Inc.

## Looking for pricing, stock, or lifecycle information?

Click below to explore more details on WIN SOURCE:

-  [View MAX303ESE+ on WIN SOURCE](#)
-  [Maxim Integrated Information](#)

## Optimize Your Supply Chain with WIN SOURCE Solutions

-  Global Sourcing Solution
-  Obsolete Management
-  Cost Control Management
-  Shortage Management
-  Alternative Solution
-  Excess Inventory Management