



**THE DATASHEET OF  
MAX4538CEE+T**





# Quad, Low-Voltage, SPST Analog Switches with Enable

MAX4536/MAX4537/MAX4538

## General Description

The MAX4536/MAX4537/MAX4538 are quad, low-voltage, single-pole/single-throw (SPST) analog switches with a common enable pin. They are pin compatible with the industry-standard 74HC4316. The MAX4536 has four normally open (NO) switches, and the MAX4537 has four normally closed (NC) switches. The MAX4538 has two NO switches and two NC switches.

These switches operate from a +2V to +12V single supply, or from ±2V to ±6V dual supplies. On-resistance (200Ω max) is matched between switches to 4Ω (max) and is flat (10Ω max) over the specified signal range. Each switch can handle rail-to-rail analog signals. The off-leakage current is only 1nA at +25°C and 10nA at +85°C.

All digital inputs have 0.8V to 2.4V logic thresholds, ensuring TTL/CMOS-logic compatibility when using a single +5V supply or dual ±5V supplies.

## Applications

- Battery-Operated Equipment
- Low-Voltage Data Acquisition
- Test Equipment
- Avionics
- Portable Equipment
- Audio-Signal Routing
- Networking

## Features

- ◆ Pin Compatible with 74HC4316
- ◆ ±2.0V to ±6V Dual Supplies  
+2.0V to +12V Single Supply
- ◆ Four Separately Controlled SPST Switches with Common Enable
- ◆ 100Ω Signal Paths with Dual ±5V Supplies  
200Ω Signal Paths with Single +4.5V Supply
- ◆ Rail-to-Rail Signal Handling
- ◆  $t_{ON}$  and  $t_{OFF}$  = 100ns and 80ns at ±4.5V Supply
- ◆ Less than 1μW Power Consumption
- ◆ >2kV ESD Protection per Method 3015.7
- ◆ TTL/CMOS-Compatible Inputs
- ◆ Small Packages: PDIP, QSOP, Narrow SO

## Ordering Information

| PART       | TEMP. RANGE    | PIN-PACKAGE    |
|------------|----------------|----------------|
| MAX4536CPE | 0°C to +70°C   | 16 Plastic DIP |
| MAX4536CSE | 0°C to +70°C   | 16 Narrow SO   |
| MAX4536CEE | 0°C to +70°C   | 16 QSOP        |
| MAX4536C/D | 0°C to +70°C   | Dice*          |
| MAX4536EPE | -40°C to +85°C | 16 Plastic DIP |
| MAX4536ESE | -40°C to +85°C | 16 Narrow SO   |
| MAX4536EEE | -40°C to +85°C | 16 QSOP        |

Ordering Information continued at end of data sheet.

\*Contact factory for availability.

## Pin Configurations/Functional Diagrams/Truth Tables

**MAX4536**  
DIP/SO/QSOP

| EN | IN <sub>-</sub> | SWITCH <sub>-</sub> |
|----|-----------------|---------------------|
| 0  | 0               | OFF                 |
| 0  | 1               | ON                  |
| 1  | X               | OFF                 |

**MAX4537**  
DIP/SO/QSOP

| EN | IN <sub>-</sub> | SWITCH <sub>-</sub> |
|----|-----------------|---------------------|
| 0  | 0               | ON                  |
| 0  | 1               | OFF                 |
| 1  | X               | OFF                 |

**MAX4538**  
DIP/SO/QSOP

| EN | IN <sub>-</sub> | SWITCHES 1,4 | SWITCHES 2,3 |
|----|-----------------|--------------|--------------|
| 0  | 0               | OFF          | ON           |
| 0  | 1               | ON           | OFF          |
| 1  | X               | OFF          | OFF          |

SWITCHES SHOWN FOR LOGIC "0" INPUT



# Quad, Low-Voltage, SPST Analog Switches with Enable

## ABSOLUTE MAXIMUM RATINGS

Voltages Referenced to GND

|   |                            |
|---|----------------------------|
| V+  | -0.3V to +13.0V            |
| V-  | -13.0V to +0.3V            |
| V+ to V-  | -0.3V to +13.0V            |
| All Other Pins (Note 1)   | (V- - 0.3V) to (V+ + 0.3V) |
| Continuous Current into Any Terminal                              | ±10mA                      |
| Peak Current into Any Terminal<br>(pulsed at 1ms, 10% duty cycle) | ±20mA                      |
| ESD per Method 3015.7   | >2000V                     |

Continuous Power Dissipation (T<sub>A</sub> = +70°C) (Note 2)

|   |                 |
|---|-----------------|
| Plastic DIP (derate 10.53mW/°C above +70°C) | 842mW           |
| Narrow SO (derate 8.70mW/°C above +70°C)    | 696mW           |
| QSOP (derate 8.00mW/°C above +70°C)         | 800mW           |
| Operating Temperature Ranges                |                 |
| MAX453_C_E                                  | 0°C to +70°C    |
| MAX453_E_E                                  | -40°C to +85°C  |
| Storage Temperature Range                   | -65°C to +150°C |
| Lead Temperature (soldering, 10sec)         | +300°C          |

**Note 1:** Signals on NC<sub>-</sub>, NO<sub>-</sub>, COM<sub>-</sub>,  $\overline{\text{EN}}$ , or IN<sub>-</sub> exceeding V+ or V- are clamped by internal diodes. Limit forward-diode current to maximum current rating.

**Note 2:** All leads are soldered or welded to PC boards.

Stresses beyond those listed under "Absolute Maximum Ratings" may cause permanent damage to the device. These are stress ratings only, and functional operation of the device at these or any other conditions beyond those indicated in the operational sections of the specifications is not implied. Exposure to absolute maximum rating conditions for extended periods may affect device reliability.

## ELECTRICAL CHARACTERISTICS—±5V Dual Supplies

(V+ = 4.5V to 5.5V, V- = -4.5V to -5.5V, V<sub>INH</sub> = 2.4V, V<sub>INL</sub> = 0.8V, V $\overline{\text{EN}}$  = 0.8V, T<sub>A</sub> = T<sub>MIN</sub> to T<sub>MAX</sub>, unless otherwise noted. Typical values are at T<sub>A</sub> = +25°C.)

| PARAMETER   | SYMBOL  | CONDITIONS   | T <sub>A</sub> | MIN       | TYP<br>(Note 3) | MAX        | UNITS |
|---|---|--|----------------|-----------|-----------------|------------|-------|
| <b>ANALOG SWITCH</b>  |   |  |                |           |                 |            |       |
| Analog Signal Range   | V <sub>COM<sub>-</sub></sub> ,<br>V <sub>NO<sub>-</sub></sub> , V <sub>NC<sub>-</sub></sub> | (Note 4)   | C, E           | V-        |                 | V+         | V     |
| COM <sub>-</sub> NO <sub>-</sub> , COM <sub>-</sub> NC <sub>-</sub><br>On-Resistance                                    | R <sub>ON</sub>   | V+ = 4.5V, V- = -4.5V,<br>V <sub>COM<sub>-</sub></sub> = 3.5V, I <sub>COM<sub>-</sub></sub> = 1mA            | +25°C<br>C, E  |           | 55<br>100       | 100<br>125 | Ω     |
| COM <sub>-</sub> NO <sub>-</sub> , COM <sub>-</sub> NC <sub>-</sub><br>On-Resistance Match Between<br>Channels (Note 5) | ΔR <sub>ON</sub>  | V+ = 4.5V, V- = -4.5V,<br>V <sub>COM<sub>-</sub></sub> = 3.5V, I <sub>COM<sub>-</sub></sub> = 1mA            | +25°C<br>C, E  |           | 1<br>6          | 4          | Ω     |
| COM <sub>-</sub> NO <sub>-</sub> , COM <sub>-</sub> NC <sub>-</sub><br>On-Resistance Flatness (Note 6)                  | R <sub>FLAT(ON)</sub>   | V+ = 5.0V, V- = -5.0V,<br>V <sub>COM<sub>-</sub></sub> = -3.0V, 0, +3.0V, I <sub>COM<sub>-</sub></sub> = 1mA | +25°C<br>C, E  |           | 4<br>15         | 10         | Ω     |
| NO <sub>-</sub> , NC <sub>-</sub> Off-Leakage Current<br>(Note 7)   | I <sub>NO<sub>-</sub>(OFF)</sub> ,<br>I <sub>NC<sub>-</sub>(OFF)</sub>                      | V+ = 5.5V, V- = -5.5V,<br>V <sub>COM<sub>-</sub></sub> = ±4.5V, V <sub>N<sub>-</sub></sub> = ∓4.5V           | +25°C<br>C, E  | -1<br>-10 | 0.01            | 1<br>10    | nA    |
| COM <sub>-</sub> Off-Leakage Current<br>(Note 7)  | I <sub>COM<sub>-</sub>(OFF)</sub>   | V+ = 5.5V, V- = -5.5V,<br>V <sub>COM<sub>-</sub></sub> = ±4.5V, V <sub>N<sub>-</sub></sub> = ∓4.5V           | +25°C<br>C, E  | -1<br>-10 | 0.01            | 1<br>10    | nA    |
| COM <sub>-</sub> On-Leakage Current<br>(Note 7)   | I <sub>COM<sub>-</sub>(ON)</sub>  | V+ = 5.5V, V- = -5.5V,<br>V <sub>COM<sub>-</sub></sub> = ±4.5V, V <sub>N<sub>-</sub></sub> = ±4.5V           | +25°C<br>C, E  | -2<br>-20 | 0.01            | 2<br>20    | nA    |
| <b>LOGIC INPUT</b>  |   |  |                |           |                 |            |       |
| $\overline{\text{EN}}$ , IN <sub>-</sub> Input Logic Threshold High   | V <sub>INH</sub>  |  | C, E           |           | 1.4             | 2.4        | V     |
| $\overline{\text{EN}}$ , IN <sub>-</sub> Input Logic Threshold Low  | V <sub>INL</sub>  |  | C, E           | 0.8       | 1.4             |            | V     |
| $\overline{\text{EN}}$ , IN <sub>-</sub> Input Current Logic<br>High or Low   | I <sub>INH<sub>-</sub></sub> , I <sub>INL<sub>-</sub></sub>                                 | V <sub>IN<sub>-</sub></sub> = 0.8V or 2.4V   | C, E           | -1        | 0.03            | 1          | μA    |

# Quad, Low-Voltage, SPST Analog Switches with Enable

## ELECTRICAL CHARACTERISTICS—±5V Dual Supplies (continued)

(V+ = 4.5V to 5.5V, V- = -4.5V to -5.5V, VINH = 2.4V, VINL = 0.8V, VEN = 0.8V, TA = TMIN to TMAX, unless otherwise noted. Typical values are at TA = +25°C.)

| PARAMETER  | SYMBOL     | CONDITIONS                                       | TA    | MIN | TYP<br>(Note 3) | MAX | UNITS |
|--|------------|--|-------|-----|-----------------|-----|-------|
| <b>SWITCH DYNAMIC CHARACTERISTICS</b>              |            |  |       |     |                 |     |       |
| Turn-On Time                                       | tON        | VCOM_ = ±3V, V+ = 4.5V,<br>V- = -4.5V (Figure 1) | +25°C | 35  | 100             |     | ns    |
|  |            |  | C, E  |     |                 | 125 |       |
| Turn-Off Time                                      | tOFF       | VCOM_ = ±3V, V+ = 4.5V,<br>V- = -4.5V (Figure 1) | +25°C | 15  | 50              |     | ns    |
|  |            |  | C, E  |     |                 | 60  |       |
| Break-Before-Make Time Delay<br>(MAX4538 Only)     | tBBM       | VCOM_ = ±3V, V+ = 5.5V,<br>V- = -5.5V (Figure 2) | +25°C | 5   | 15              |     | ns    |
| Charge Injection (Figure 3)                        | Q          | CL = 1.0nF, VNO_ = 0V, RS = 0Ω                   | +25°C |     | 1               | 5   | pC    |
| NO_, NC_ Off-Capacitance<br>(Figure 6)             | CN_(OFF)   | VNO_ = GND, f = 1MHz                             | +25°C |     | 2               |     | pF    |
| COM_ Off-Capacitance (Figure 6)                    | CCOM_(OFF) | VCOM_ = GND, f = 1MHz                            | +25°C |     | 2               |     | pF    |
| COM_ On-Capacitance (Figure 7)                     | CCOM_(ON)  | VCOM_ = VNO_ = GND, f = 1MHz                     | +25°C |     | 6               |     | pF    |
| Off-Isolation (Note 8, Figure 4)                   | VISO       | RL = 50Ω, CL = 15pF,<br>VN_ = 1VRMS, f = 1MHz    | +25°C |     | -65             |     | dB    |
| Channel-to-Channel Crosstalk<br>(Note 9, Figure 5) | VCT        | RL = 50Ω, CL = 15pF,<br>VN_ = 1VRMS, f = 1MHz    | +25°C |     | -75             |     | dB    |
| <b>POWER SUPPLY</b>                                |            |  |       |     |                 |     |       |
| Power-Supply Range                                 | V+, V-     |  | C, E  | -6  |                 | 6   | V     |
| V+ Supply Current                                  | I+         | V+ = 5.5V, all VIN_ = 0V or V+                   | +25°C | -1  | 0.05            | 1   | μA    |
|  |            |  | C, E  |     |                 | 10  |       |
| V- Supply Current                                  | I-         | V- = -5.5V                                       | +25°C | -1  | 0.05            | 1   | μA    |
|  |            |  | C, E  |     |                 | 10  |       |

MAX4536/MAX4537/MAX4538

# Quad, Low-Voltage, SPST Analog Switches with Enable

MAX4536/MAX4537/MAX4538

## ELECTRICAL CHARACTERISTICS—+5V Single Supply

(V+ = 4.5V to 5.5V, V- = 0V, VINH = 2.4V, VINL = 0.8V, VEN = 0.8V, TA = TMIN to TMAX, unless otherwise noted. Typical values are at TA = +25°C.)

| PARAMETER  | SYMBOL                                      | CONDITIONS  | TA            | MIN | TYP<br>(Note 3) | MAX | UNITS |
|--|---|---|---------------|-----|-----------------|-----|-------|
| <b>ANALOG SWITCH</b>   |   |   |               |     |                 |     |       |
| Analog Signal Range  | VCOM_, VNO_, VNC                            | (Note 4)  | C, E          | 0   |                 | V+  | V     |
| COM_ -NO_, COM_ -NC_ On-Resistance                                 | RON   | V+ = 4.5V, VCOM_ = 3.5V, ICOM_ = 1mA                              | +25°C<br>C, E |     | 90              | 200 | Ω     |
| COM_ -NO_, COM_ -NC_ On-Resistance Match Between Channels (Note 5) | ΔRON  | V+ = 4.5V, VCOM_ = 3.5V, ICOM_ = 1mA                              | +25°C<br>C, E |     | 2               | 8   | Ω     |
| NO_, NC_ Off-Leakage Current (Notes 7, 10)                         | I <sub>NO(OFF)</sub> , I <sub>NC(OFF)</sub> | V+ = 5.5V, VCOM_ = 1V, 4.5V, V <sub>N</sub> = +4.5V, 1V           | +25°C<br>C, E | -1  | 0.01            | 1   | nA    |
| COM_ Off-Leakage Current (Notes 7, 10)                             | I <sub>COM(OFF)</sub>                       | V+ = 5.5V, VCOM_ = 1V, 4.5V, V <sub>N</sub> = +4.5V, 1V           | +25°C<br>C, E | -1  | 0.01            | 1   | nA    |
| COM_ On-Leakage Current (Note 7, 10)                               | I <sub>COM(ON)</sub>                        | V+ = 5.5V, VCOM_ = 1V, 4.5V,                                      | +25°C<br>C, E | -2  | 0.01            | 2   | nA    |
| <b>LOGIC INPUT</b>   |   |   |               |     |                 |     |       |
| EN, IN_ Input Logic Threshold High                                 | V <sub>INH</sub>                            |   | C, E          |     | 1.4             | 2.4 | V     |
| EN, IN_ Input Logic Threshold Low                                  | V <sub>INL</sub>                            |   | C, E          | 0.8 | 1.4             |     | V     |
| EN, IN_ Input Current Logic High or Low                            | I <sub>INH</sub> , I <sub>INL</sub>         | V <sub>IN</sub> = 0.8V or 2.4V                                    | C, E          | -1  | 0.03            | 1   | μA    |
| <b>SWITCH DYNAMIC CHARACTERISTICS</b>                              |   |   |               |     |                 |     |       |
| Turn-On Time   | t <sub>ON</sub>                             | VCOM_ = 3V, V+ = 4.5V (Figure 1)                                  | +25°C<br>C, E |     | 50              | 100 | ns    |
| Turn-Off Time  | t <sub>OFF</sub>                            | VCOM_ = 3V, V+ = 4.5V (Figure 1)                                  | +25°C<br>C, E |     |                 | 80  | ns    |
| Break-Before-Make Time Delay                                       | t <sub>BBM</sub>                            | MAX4538, VCOM_ = 3V, V+ = 5.5V (Figure 2)                         | +25°C         | 5   | 25              |     | ns    |
| Charge Injection (Figure 3) (Note 4)                               | Q   | C <sub>L</sub> = 1.0nF, V <sub>NO</sub> = 0V, R <sub>S</sub> = 0Ω | +25°C         |     | 1               | 5   | pC    |
| <b>POWER SUPPLY</b>  |   |   |               |     |                 |     |       |
| V+ Supply Current  | I+  | V+ = 5.5V, all V <sub>IN</sub> = 0V or V+                         | +25°C<br>C, E | -1  | 0.05            | 1   | μA    |

# Quad, Low-Voltage, SPST Analog Switches with Enable

## ELECTRICAL CHARACTERISTICS—+3V Single Supply

(V+ = 2.7V to 3.6V, V- = 0V, VINH = 2.0V, VINL = 0.5V, VEN = 0.5V, TA = TMIN to TMAX, unless otherwise noted. Typical values are at TA = +25°C.)

| PARAMETER                                      | SYMBOL           | CONDITIONS                                  | TA            | MIN | TYP<br>(Note 3) | MAX        | UNITS |
|--|------------------|---|---------------|-----|-----------------|------------|-------|
| <b>ANALOG SWITCH</b>                           |                  |   |               |     |                 |            |       |
| Analog Signal Range                            | VCOM_, VNO_, VNC | (Note 4)                                    | C, E          | 0   |                 | V+         | V     |
| COM_ -NO_, COM_ -NC_ On-Resistance             | RON              | V+ = 2.7V, VCOM_ = 1.5V, ICOM_ = 0.1mA      | +25°C<br>C, E |     | 210             | 500<br>600 | Ω     |
| <b>LOGIC INPUT</b>                             |                  |   |               |     |                 |            |       |
| EN, IN_ Input Logic Threshold High             | VINH             |   | C, E          |     | 0.9             | 2.0        | V     |
| EN, IN_ Input Logic Threshold Low              | VINL             |   | C, E          | 0.5 | 0.9             |            | V     |
| EN, IN_ Input Current Logic High or Low        | IINH_, IINL_     | VIN_ = 0.8V or 2.4V                         | C, E          | -1  | 0.03            | 1          | μA    |
| <b>SWITCH DYNAMIC CHARACTERISTICS</b> (Note 4) |                  |   |               |     |                 |            |       |
| Turn-On Time                                   | tON              | VCOM_ = 1.5V, V+ = 2.7V (Figure 1)          | +25°C<br>C, E |     | 80              | 250<br>300 | ns    |
| Turn-Off Time                                  | tOFF             | VCOM_ = 1.5V, V+ = 2.7V (Figure 1)          | +25°C<br>C, E |     | 40              | 100<br>120 | ns    |
| Break-Before-Make Time Delay                   | tBBM             | MAX4538, VCOM_ = 1.5V, V+ = 3.6V (Figure 2) | +25°C         | 10  | 40              |            | ns    |
| Charge Injection (Figure 3)                    | Q                | CL = 1.0nF, VNO = 0V, RS = 0Ω               | +25°C         |     |                 | 3          | pC    |
| <b>POWER SUPPLY</b>                            |                  |   |               |     |                 |            |       |
| V+ Supply Current                              | I+               | V+ = 3.6V, all VIN_ = 0V or V+              | +25°C<br>C, E | -1  | 0.05            | 1<br>10    | μA    |

**Note 3:** The algebraic convention is used in this data sheet; the most negative value is shown in the minimum column.

**Note 4:** Guaranteed by design.

**Note 5:**  $\Delta R_{ON} = \Delta R_{ON(MAX)} - \Delta R_{ON(MIN)}$ .

**Note 6:** Resistance flatness is defined as the difference between the maximum and the minimum value of on-resistance as measured over the specified analog-signal range.

**Note 7:** Leakage parameters are 100% tested at maximum rated hot temperature and guaranteed by correlation at TA = +25°C.

**Note 8:** Off-isolation =  $20\log_{10} [V_{COM\_} / (V_{NC\_} \text{ or } V_{NO\_})]$ , VCOM\_ = output, VNC\_ or VNO\_ = input to off switch.

**Note 9:** Between any two switches.

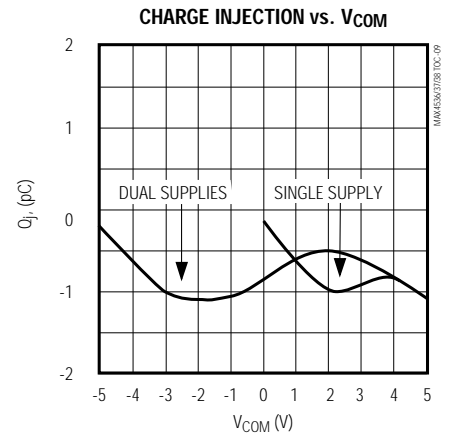
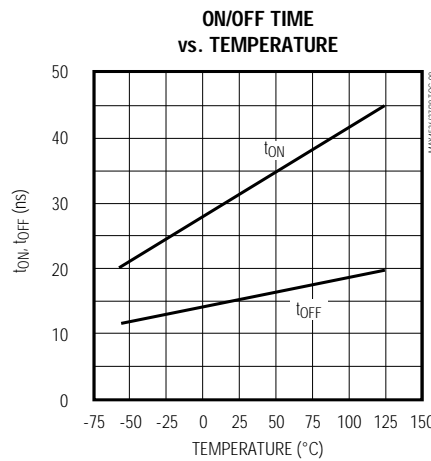
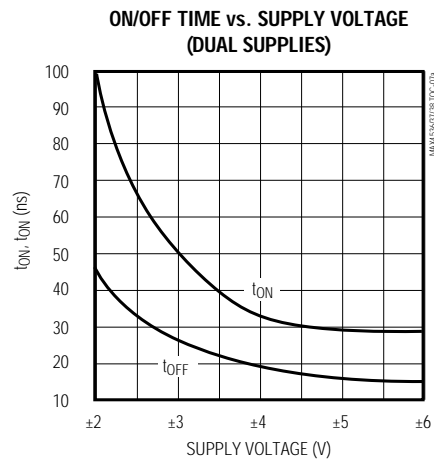
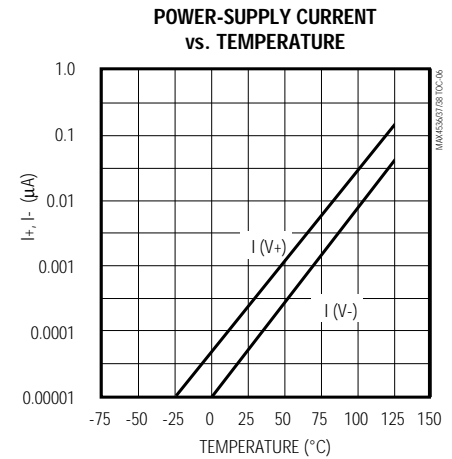
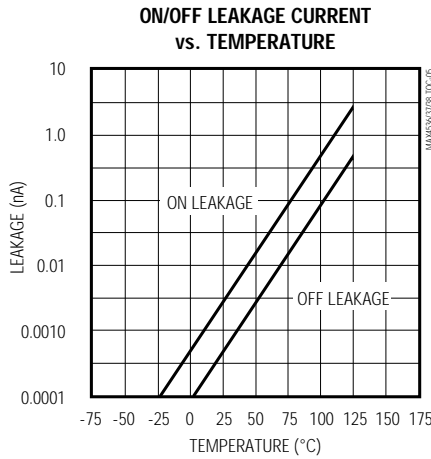
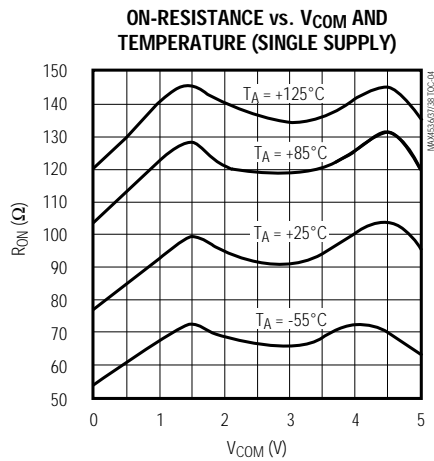
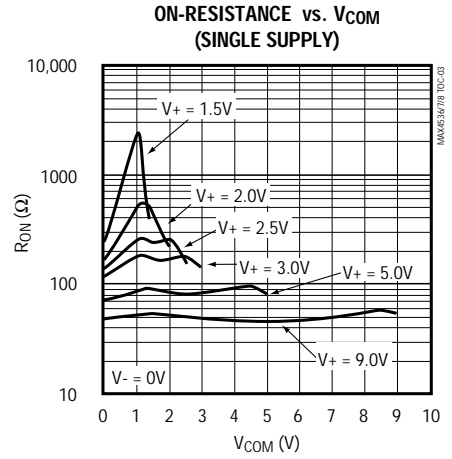
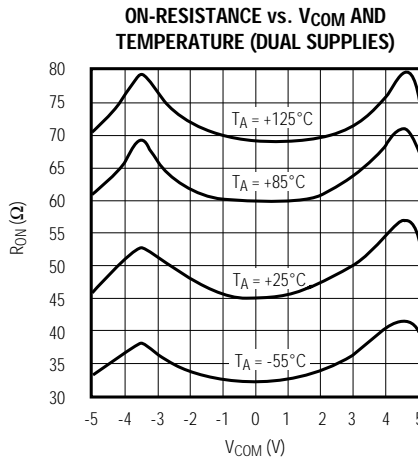
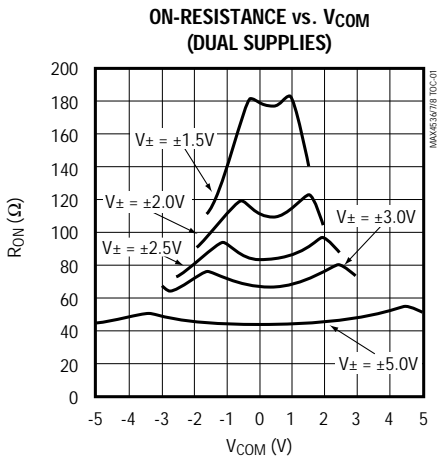
**Note 10:** Leakage testing for single-supply operation is guaranteed by testing with dual supplies.

MAX4536/MAX4537/MAX4538

# Quad, Low-Voltage, SPST Analog Switches with Enable

## Typical Operating Characteristics

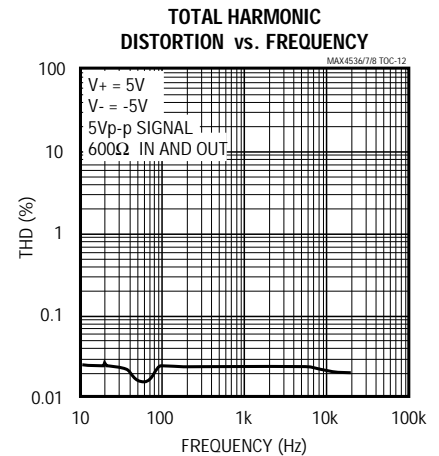
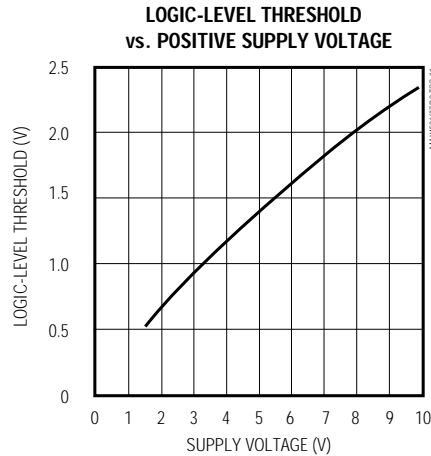
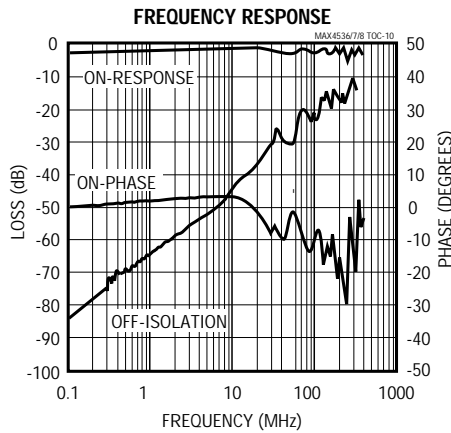
( $V_+ = +5V$ ,  $V_- = -5V$  GND = 0V,  $T_A = +25^\circ C$ , unless otherwise noted.)



# Quad, Low-Voltage, SPST Analog Switches with Enable

## Typical Operating Characteristics (continued)

(V+ = +5V, V- = -5V GND = 0V, TA = +25°C, unless otherwise noted.)



## Pin Description

| PIN          | NAME                      | FUNCTION   |
|--------------|---------------------------|--|
| 1, 4, 10, 13 | COM1-COM4                 | Analog Switch Common* Terminals  |
| 2, 3, 11, 12 | NO1-NO4,<br>or<br>NC1-NC4 | Analog Switch Normally Open* or Normally Closed* Terminals (see <i>Truth Tables</i> )                              |
| 5, 6, 14, 15 | IN1-IN4                   | Logic-Control Digital Inputs. Control each switch (see <i>Truth Tables</i> ), except when $\overline{EN}$ is high. |
| 7            | $\overline{EN}$           | Disable Logic Input. Connect logic high to $\overline{EN}$ to disable (open) all switches.                         |
| 8            | GND                       | Ground. Connect to digital ground. (Analog signals have no ground reference; they are limited to V+ and V-.)       |
| 9            | V-                        | Negative Analog Supply-Voltage Input. Connect V- to GND for single-supply operation.                               |
| 16           | V+                        | Positive Analog and Digital Supply-Voltage Input. Internally connected to substrate.                               |

\*NO\_/NC\_ and COM\_ pins are identical and interchangeable. Either may be considered as an input or an output; signals pass equally well in either direction.

MAX4536/MAX4537/MAX4538

# Quad, Low-Voltage, SPST Analog Switches with Enable

## Applications Information

### Power-Supply Considerations

#### Overview

The MAX4536/MAX4537/MAX4538 construction is typical of most CMOS analog switches. These devices have three supply pins: V+, V-, and GND. V+ and V- drive the internal CMOS switches and set the limits of the analog voltage on any switch. Reverse ESD-protection diodes are internally connected between each analog-signal pin, and both V+ and V-. One of these diodes conducts if any analog signal exceeds V+ or V-. These reverse-biased ESD diodes leak during normal operation, forming the only current drawn from V+ or V-.

Virtually all the analog leakage current is through the ESD diodes. Although the ESD diodes on a given signal pin are identical and therefore fairly well balanced, they are reverse biased differently. Each is biased by either V+ or V- and the analog signal. This means their leakages vary as the signal varies. The *difference* in the two diode leakages from the signal path to the V+ and V- pins constitutes the analog-signal path leakage current. All analog leakage current flows to the supply terminals, not to the other switch terminal. This explains how both sides of a given switch can show leakage currents of either the same or opposite polarity.

There is no connection between the analog-signal paths and GND. The analog-signal paths consist of an N-channel and P-channel MOSFET with their sources and drains paralleled and their gates driven out of phase to V+ and V- by the logic-level translators.

V+ and GND power the internal logic and logic-level translators and set the input logic thresholds. The logic-level translators convert the logic levels to switched V+ and V- signals to drive the analog switches' gates. This drive signal is the only connection between the logic supplies and the analog supplies. V+, and V- have ESD-protection diodes to GND. The logic-level inputs have ESD protection to V+ and to V-.

Increasing V- has no effect on the logic-level thresholds, but it does increase the drive to the P-channel switches, reducing their on-resistance. V- also sets the negative limit of the analog-signal voltage.

The logic-level thresholds are CMOS/TTL-compatible when V+ is +5V. The threshold increases slightly as V+ is raised. When V+ reaches +12V, the level threshold is about 3.1V, above the TTL output high-level minimum of 2.8V, but still compatible with CMOS outputs.

#### Bipolar Supplies

The MAX4536/MAX4537/MAX4538 operate with bipolar supplies between  $\pm 2.0\text{V}$  and  $\pm 6\text{V}$ . The V+ and V- supplies need not be symmetrical, but their sum cannot exceed the absolute maximum rating of 13.0V. **Do not connect the MAX4536/MAX4537/MAX4538's V+ to +3V and then connect the logic-level input pins to TTL logic-level signals. TTL logic-level outputs in excess of the absolute maximum ratings can damage the part and/or external circuits.**

**CAUTION:** The absolute maximum V+ to V- differential voltage is 13.0V. Typical  $\pm 6\text{V}$  or +12V supplies with  $\pm 10\%$  tolerances can be as high as 13.2V. This voltage can damage the MAX4536/MAX4537/MAX4538. Even  $\pm 5\%$  tolerance supplies may have overshoot or noise spikes that exceed 13.0V.

#### Single Supplies

The MAX4536/MAX4537/MAX4538 operate from single supplies between +2.0V and +12V when V- is connected to GND. All of the bipolar precautions must be observed.

#### High-Frequency Performance

In  $50\Omega$  systems, signal response is reasonably flat up to 50MHz (see *Typical Operating Characteristics*). Above 20MHz, the on-response has several minor peaks that are highly layout dependent. The problem with high-frequency operation is not in turning the switch on, but in turning it off. The off-state switch acts like a capacitor and passes higher frequencies with less attenuation. At 10MHz, off-isolation is about -44dB in  $50\Omega$  systems, becoming worse (approximately 20dB per decade) as frequency increases. Higher circuit impedances also make off-isolation worse. Adjacent channel attenuation is about 3dB above that of a bare IC socket, and is due entirely to capacitive coupling.

# Quad, Low-Voltage, SPST Analog Switches with Enable

## Test Circuits/Timing Diagrams

MAX4536/MAX4537/MAX4538

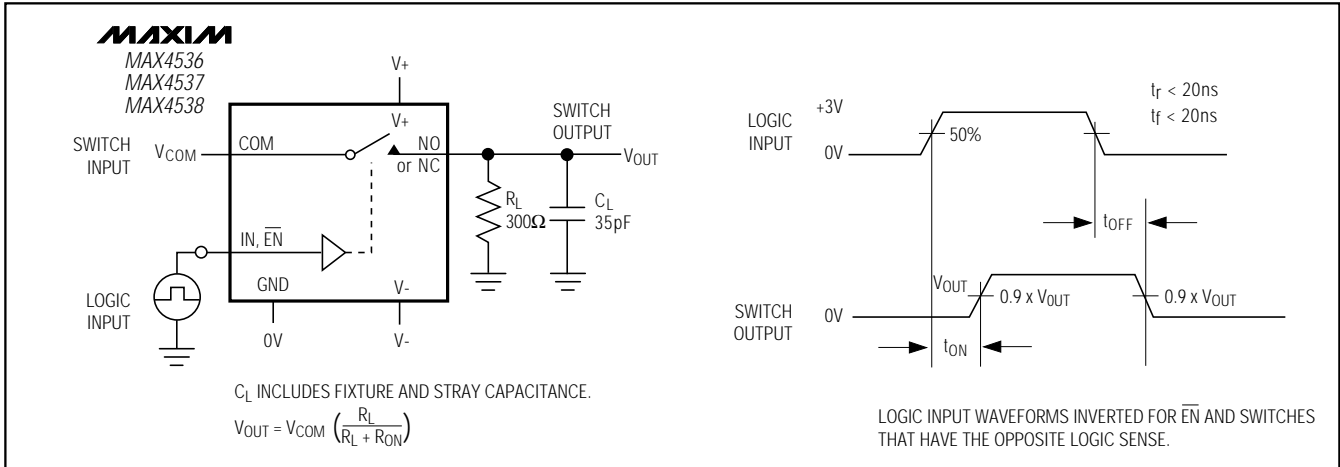


Figure 1. Switching Time

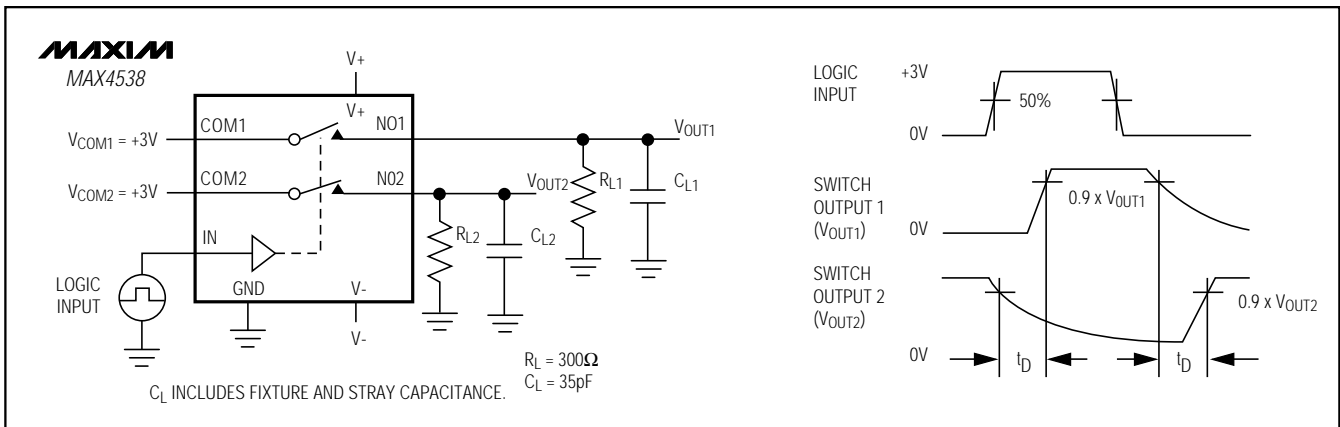


Figure 2. Break-Before-Make Interval (MAX4538 only)

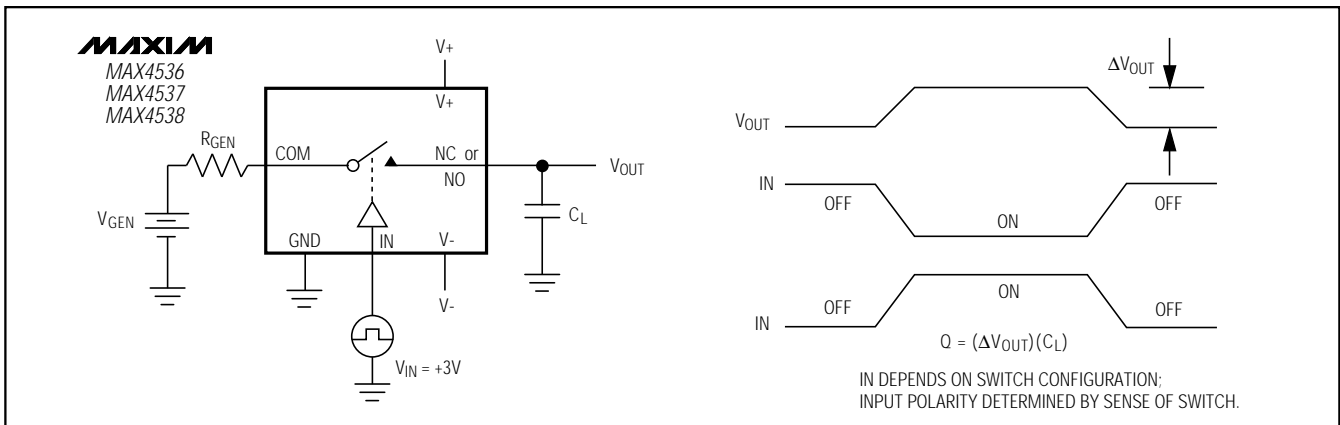


Figure 3. Charge Injection

# Quad, Low-Voltage, SPST Analog Switches with Enable

MAX4536/MAX4537/MAX4538

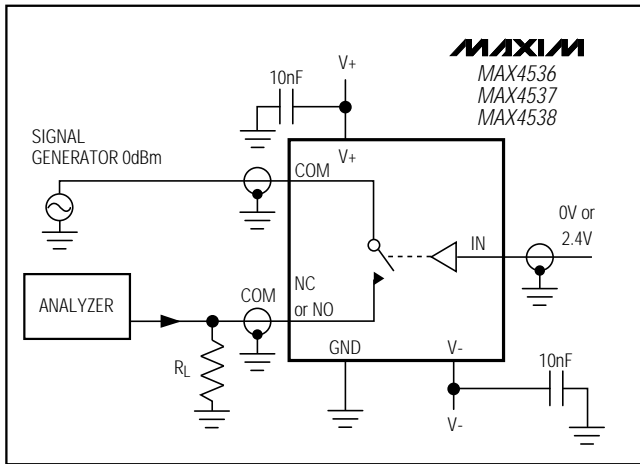


Figure 4. Off Isolation

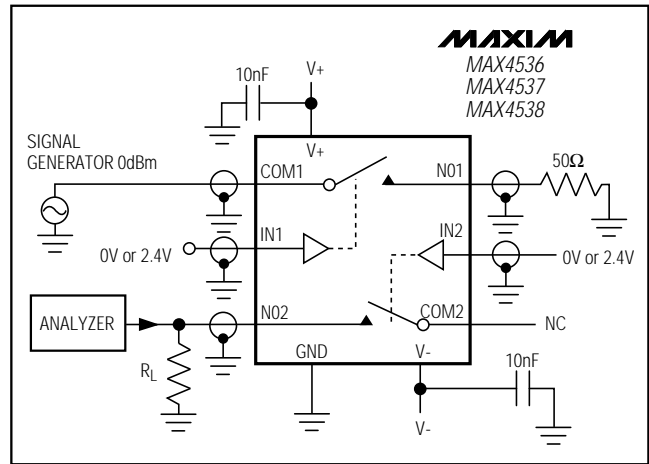


Figure 5. Crosstalk

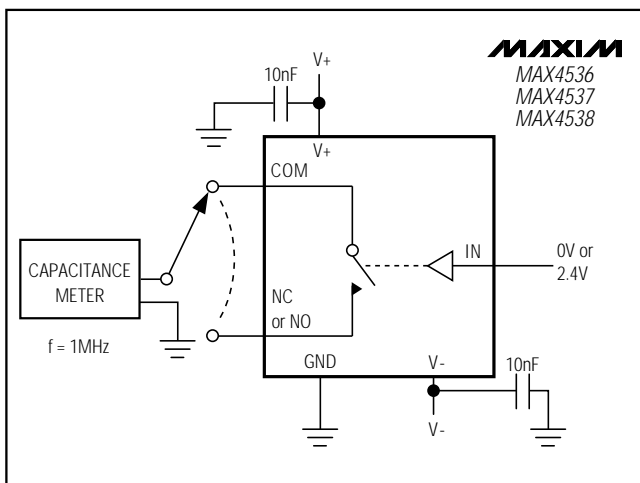


Figure 6. Channel-Off Capacitance

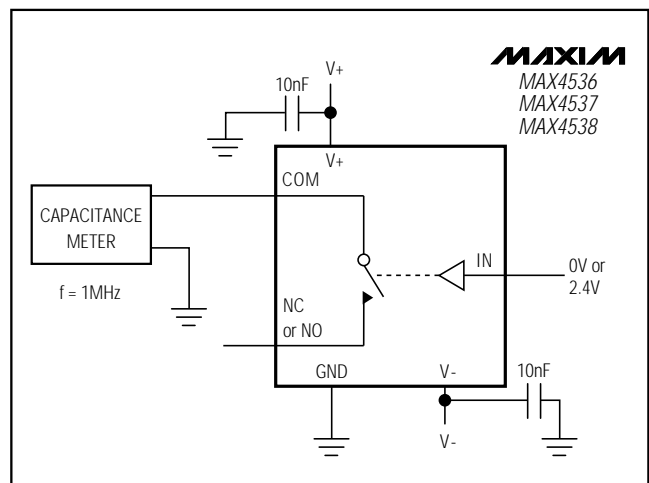


Figure 7. Channel-On Capacitance

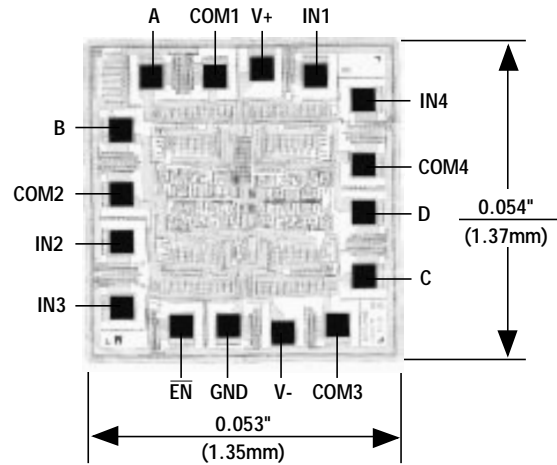
# Quad, Low-Voltage, SPST Analog Switches with Enable

## Ordering Information (continued)

| PART               | TEMP. RANGE    | PIN-PACKAGE    |
|--------------------|----------------|----------------|
| <b>MAX4537</b> CPE | 0°C to +70°C   | 16 Plastic DIP |
| MAX4537CSE         | 0°C to +70°C   | 16 Narrow SO   |
| MAX4537CEE         | 0°C to +70°C   | 16 QSOP        |
| MAX4537C/D         | 0°C to +70°C   | Dice*          |
| MAX4537EPE         | -40°C to +85°C | 16 Plastic DIP |
| MAX4537ESE         | -40°C to +85°C | 16 Narrow SO   |
| MAX4537EEE         | -40°C to +85°C | 16 QSOP        |
| <b>MAX4538</b> CPE | 0°C to +70°C   | 16 Plastic DIP |
| MAX4538CSE         | 0°C to +70°C   | 16 Narrow SO   |
| MAX4538CEE         | 0°C to +70°C   | 16 QSOP        |
| MAX4538C/D         | 0°C to +70°C   | Dice*          |
| MAX4538EPE         | -40°C to +85°C | 16 Plastic DIP |
| MAX4538ESE         | -40°C to +85°C | 16 Narrow SO   |
| MAX4538EEE         | -40°C to +85°C | 16 QSOP        |

\*Contact factory for availability.

## Chip Topography



| MAX4536 |      | MAX4537 |      | MAX4538 |      |
|---------|------|---------|------|---------|------|
| PIN     | NAME | PIN     | NAME | PIN     | NAME |
| A       | NO1  | A       | NC1  | A       | NO1  |
| B       | NO2  | B       | NC2  | B       | NC2  |
| C       | NO3  | C       | NC3  | C       | NC3  |
| D       | NO4  | D       | NC4  | D       | NO4  |

TRANSISTOR COUNT: 121

SUBSTRATE IS INTERNALLY CONNECTED TO V+

MAX4536/MAX4537/MAX4538

# Quad, Low-Voltage, SPST Analog Switches with Enable

## Package Information

| DIM | INCHES         |        | MILLIMETERS |      |
|-----|----------------|--------|-------------|------|
|     | MIN            | MAX    | MIN         | MAX  |
| A   | 0.061          | 0.068  | 1.55        | 1.73 |
| A1  | 0.004          | 0.0098 | 0.127       | 0.25 |
| A2  | 0.055          | 0.061  | 1.40        | 1.55 |
| B   | 0.008          | 0.012  | 0.20        | 0.31 |
| C   | 0.0075         | 0.0098 | 0.19        | 0.25 |
| D   | SEE VARIATIONS |        |             |      |
| E   | 0.150          | 0.157  | 3.81        | 3.99 |
| e   | 0.025 BSC      |        | 0.635 BSC   |      |
| H   | 0.230          | 0.244  | 5.84        | 6.20 |
| h   | 0.010          | 0.016  | 0.25        | 0.41 |
| L   | 0.016          | 0.035  | 0.41        | 0.89 |
| N   | SEE VARIATIONS |        |             |      |
| S   | SEE VARIATIONS |        |             |      |
| α   | 0°             | 8°     | 0°          | 8°   |

| DIM | PINS | INCHES |        | MILLIMETERS |      |
|-----|------|--------|--------|-------------|------|
|     |      | MIN    | MAX    | MIN         | MAX  |
| D   | 16   | 0.189  | 0.196  | 4.80        | 4.98 |
| S   | 16   | 0.0020 | 0.0070 | 0.05        | 0.18 |
| D   | 20   | 0.337  | 0.344  | 8.56        | 8.74 |
| S   | 20   | 0.0500 | 0.0550 | 1.27        | 1.40 |
| D   | 24   | 0.337  | 0.344  | 8.56        | 8.74 |
| S   | 24   | 0.0250 | 0.0300 | 0.64        | 0.76 |
| D   | 28   | 0.386  | 0.393  | 9.80        | 9.98 |
| S   | 28   | 0.0250 | 0.0300 | 0.64        | 0.76 |

21-0055A

**QSOP  
QUARTER  
SMALL-OUTLINE  
PACKAGE**

| DIM | INCHES |       | MILLIMETERS |      |
|-----|--------|-------|-------------|------|
|     | MIN    | MAX   | MIN         | MAX  |
| A   | 0.053  | 0.069 | 1.35        | 1.75 |
| A1  | 0.004  | 0.010 | 0.10        | 0.25 |
| B   | 0.014  | 0.019 | 0.35        | 0.49 |
| C   | 0.007  | 0.010 | 0.19        | 0.25 |
| E   | 0.150  | 0.157 | 3.80        | 4.00 |
| e   | 0.050  |       | 1.27        |      |
| H   | 0.228  | 0.244 | 5.80        | 6.20 |
| L   | 0.016  | 0.050 | 0.40        | 1.27 |

**Narrow SO  
SMALL-OUTLINE  
PACKAGE  
(0.150 in.)**

| DIM | PINS | INCHES |       | MILLIMETERS |       |
|-----|------|--------|-------|-------------|-------|
|     |      | MIN    | MAX   | MIN         | MAX   |
| D   | 8    | 0.189  | 0.197 | 4.80        | 5.00  |
| D   | 14   | 0.337  | 0.344 | 8.55        | 8.75  |
| D   | 16   | 0.386  | 0.394 | 9.80        | 10.00 |

21-0041A

Maxim cannot assume responsibility for use of any circuitry other than circuitry entirely embodied in a Maxim product. No circuit patent licenses are implied. Maxim reserves the right to change the circuitry and specifications without notice at any time.

12 \_\_\_\_\_ Maxim Integrated Products, 120 San Gabriel Drive, Sunnyvale, CA 94086 (408) 737-7600

## Looking for pricing, stock, or lifecycle information?

Click below to explore more details on WIN SOURCE:

 [View MAX4538CEE+T on WIN SOURCE](#)

 [Maxim Integrated](#) Information

## Optimize Your Supply Chain with WIN SOURCE Solutions

-  Global Sourcing Solution
-  Obsolete Management
-  Cost Control Management
-  Shortage Management
-  Alternative Solution
-  Excess Inventory Management