



**THE DATASHEET OF
MAX4624EUT-T**





1Ω, Low-Voltage, Single-Supply SPDT Analog Switches

MAX4624/MAX4625

General Description

The MAX4624/MAX4625 are low-on-resistance, low-voltage single-pole/double-throw (SPDT) analog switches that operate from a single +1.8V to +5.5V supply. The MAX4624 has break-before-make switching; the MAX4625 has make-before-break switching. These devices also have fast switching speeds ($t_{ON} = 50ns$ max, $t_{OFF} = 50ns$ max).

When powered from a +5V supply, the MAX4624/MAX4625 offer 1Ω max on-resistance (R_{ON}), with 0.12Ω max R_{ON} matching and flatness. The digital logic inputs are TTL compatible when using a single +5V supply. These switches also feature overcurrent protection to prevent damage from short circuits and excessive loads.

The MAX4624/MAX4625 are pin compatible with the MAX4544 and are available in space-saving standard 6-pin SOT23 packages, as well as the 1.0mm high Thin SOT package.

Applications

- Power Routing
- Battery-Operated Equipment
- Audio and Video Signal Routing
- Low-Voltage Data-Acquisition Systems
- Communications Circuits
- PCMCIA Cards
- Cellular Phones
- Modems
- Hard Drives

Features

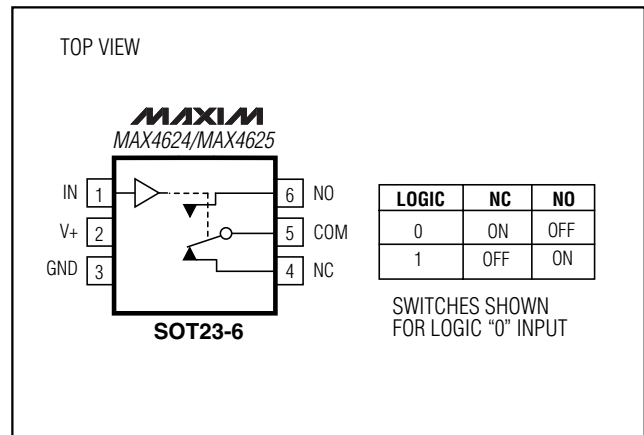
- ◆ Low R_{ON}
 - 1Ω max (+5V Supply)
 - 2Ω max (+3V Supply)
- ◆ 0.12Ω max R_{ON} Flatness (+5V Supply)
- ◆ Overcurrent Protection
- ◆ +1.8V to +5.5V Single-Supply Operation
- ◆ Available in SOT23 Packages
- ◆ Fast Switching: $t_{ON} = 50ns$ max, $t_{OFF} = 50ns$ max
- ◆ TTL-Logic Compatible (+5V Supply)
- ◆ Pin Compatible with MAX4544
- ◆ Guaranteed Break-Before-Make (MAX4624)
- ◆ Guaranteed Make-Before-Break (MAX4625)

Ordering Information

| PART | TEMP. RANGE | PIN-PACKAGE | TOP MARK |
|--------------|----------------|-------------|----------|
| MAX4624EUT-T | -40°C to +85°C | 6 SOT23-6 | AADL |
| MAX4624EZT-T | -40°C to +85°C | 6 SOT23-6* | AAAE |
| MAX4625EUT-T | -40°C to +85°C | 6 SOT23-6 | AADM |
| MAX4625EZT-T | -40°C to +85°C | 6 SOT23-6* | AAAF |

*Thin SOT (1.0mm height) package. Recommended for new designs.

Pin Configuration/ Functional Diagram/Truth Table



1Ω, Low-Voltage, Single-Supply SPDT Analog Switches

ABSOLUTE MAXIMUM RATINGS

Voltages Referenced to GND

| | |
|---|----------------------|
| V+, IN | -0.3V to +6V |
| COM, NC, NO (Note 1) | -0.3V to (V+ + 0.3V) |
| Continuous Current NO, NC to COM | ±200mA |
| Peak Current NO, NC to COM (pulsed at 1ms, 10% duty cycle max) | ±400mA |

Continuous Power Dissipation

| | |
|---|-----------------|
| 6-Pin SOT23 (derate 7.1mW/°C above +70°C) | 571mW |
| 6-Pin Thin SOT23 (derate 6.25mW/°C above +70°C) | 500mW |
| Operating Temperature Range | |
| MAX462_E_T | -40°C to +85°C |
| Junction Temperature | +150°C |
| Storage Temperature Range | -65°C to +150°C |

Note 1: Signals on NC, NO, and COM exceeding V+ or GND are clamped by internal diodes.

Stresses beyond those listed under "Absolute Maximum Ratings" may cause permanent damage to the device. These are stress ratings only, and functional operation of the device at these or any other conditions beyond those indicated in the operational sections of the specifications is not implied. Exposure to absolute maximum rating conditions for extended periods may affect device reliability.

ELECTRICAL CHARACTERISTICS—Single +5V Supply

(V+ = +5V ±10%, GND = 0, V_{INH} = 2.4V, V_{INL} = 0.8V, T_A = T_{MIN} to T_{MAX}, unless otherwise noted.) (Notes 2, 3)

| PARAMETER | SYMBOL | CONDITIONS | MIN | TYP | MAX | UNITS | |
|---|--|--|---|------|------|-------|----|
| ANALOG SWITCH | | | | | | | |
| Analog Signal Range | V _{COM} , V _{NO} , V _{NC} | | 0 | | V+ | V | |
| On-Resistance | R _{ON} | V+ = 4.5V, V _{NO} or V _{NC} = 3.5V, I _{COM} = 100mA | T _A = +25°C | 0.65 | 1 | Ω | |
| | | | T _A = T _{MIN} to T _{MAX} | | 1.2 | | |
| On-Resistance Match Between Channels (Note 4) | ΔR _{ON} | V+ = 4.5V, I _{COM} = 100mA, V _{NO} or V _{NC} = 3.5V | T _A = +25°C | 0.06 | 0.12 | Ω | |
| | | | T _A = T _{MIN} to T _{MAX} | | 0.15 | | |
| On-Resistance Flatness (Note 5) | R _{FLAT(ON)} | V+ = 4.5V; I _{COM} = 100mA; V _{NO} or V _{NC} = 0, 1V, 2V | T _A = +25°C | 0.08 | 0.12 | Ω | |
| | | | T _A = T _{MIN} to T _{MAX} | | 0.15 | | |
| NO or NC Off-Leakage Current | I _{NO(OFF)} , I _{NC(OFF)} | V+ = 5.5V; V _{COM} = 1V, 4.5V; V _{NO} or V _{NC} = 4.5V, 1V | T _A = +25°C | -2 | 0.01 | 2 | nA |
| | | | T _A = T _{MIN} to T _{MAX} | -20 | | 20 | |
| COM On-Leakage Current | I _{COM(ON)} | V+ = 5.5V; V _{COM} = 1V, 4.5V; V _{NO} or V _{NC} = 1V, 4.5V, or floating | T _A = +25°C | -4 | 0.3 | 4 | nA |
| | | | T _A = T _{MIN} to T _{MAX} | -40 | | 40 | |
| Overcurrent-Protection Current Threshold | | T _A = +25°C | | 1.2 | | A | |
| DYNAMIC | | | | | | | |
| Turn-On Time | t _{ON} | V _{NO} or V _{NC} = 3V, Figure 2 | T _A = +25°C | 40 | 50 | ns | |
| | | | T _A = T _{MIN} to T _{MAX} | | 60 | | |
| Turn-Off Time | t _{OFF} | V _{NO} or V _{NC} = 3V, Figure 2 | T _A = +25°C | 40 | 50 | ns | |
| | | | T _A = T _{MIN} to T _{MAX} | | 60 | | |
| Break-Before-Make Delay (Note 6) | t _{BBM} | MAX4624 only, Figure 3a | T _A = +25°C | 1 | 20 | ns | |
| | | | T _A = T _{MIN} to T _{MAX} | 1 | | | |
| Make-Before-Break Delay (Note 6) | t _{MBB} | MAX4625 only, Figure 3b | T _A = +25°C | 1 | 6 | ns | |
| | | | T _A = T _{MIN} to T _{MAX} | 1 | | | |

1Ω, Low-Voltage, Single-Supply SPDT Analog Switches

MAX4624/MAX4625

ELECTRICAL CHARACTERISTICS—Single +5V Supply (continued)

(V+ = +5V ±10%, GND = 0, VINH = 2.4V, VINL = 0.8V, TA = TMIN to TMAX, unless otherwise noted.) (Notes 2, 3)

| PARAMETER | SYMBOL | CONDITIONS | MIN | TYP | MAX | UNITS |
|--------------------------|----------|--|-----|-----|-----|-------|
| Charge Injection | Q | CL = 1.0nF, VGEN = 0, RGEN = 0, TA = +25°C, Figure 4 | | 65 | | pC |
| Off-Isolation (Note 7) | OIRR | RL = 50Ω, CL = 5pF, f = 1MHz, TA = +25°C, Figure 5 | | -57 | | dB |
| Crosstalk (Note 8) | | RL = 50Ω, CL = 5pF, f = 1MHz, TA = +25°C, Figure 5 | | -57 | | dB |
| NC or NO Off-Capacitance | COFF | f = 1MHz, TA = +25°C, Figure 6 | | 32 | | pF |
| COM On-Capacitance | CCOM(ON) | f = 1MHz, TA = +25°C, Figure 6 | | 100 | | pF |
| LOGIC INPUT | | | | | | |
| Input Voltage Low | VINL | | | | 0.8 | V |
| Input Voltage High | VINH | | 2.4 | | | V |
| Logic Input Current | IIN | | -1 | | 1 | μA |
| SUPPLY | | | | | | |
| Power-Supply Range | V+ | | 1.8 | | 5.5 | V |
| Positive Supply Current | I+ | V+ = 5.5V, VIN = 0 or V+ | | | 10 | μA |

ELECTRICAL CHARACTERISTICS—Single +3V Supply

(V+ = +2.7V to +3.6V, GND = 0, VINH = 2.0V, VINL = 0.6V, TA = TMIN to TMAX, unless otherwise noted.) (Notes 2, 3)

| PARAMETER | SYMBOL | CONDITIONS | MIN | TYP | MAX | UNITS |
|---------------------------------------|----------------|--|-------------------|------|-----|-------|
| ANALOG SWITCH | | | | | | |
| Analog Signal Range | VCOM, VNO, VNC | | 0 | | V+ | V |
| On-Resistance | RON | V+ = 2.7V, VNO or VNC = 1.5V, ICOM = 100mA | TA = +25°C | 1.2 | 2.0 | Ω |
| | | | TA = TMIN to TMAX | | 2.5 | |
| On-Resistance Flatness (Note 6) | RFLAT(ON) | V+ = 2.7V; ICOM = 100mA; VNO or VNC = 0, 0.75V, 1.5V; TA = +25°C | | 0.25 | | Ω |
| DYNAMIC | | | | | | |
| Turn-On Time | tON | VNO or VNC = 1.5V, Figure 2 | TA = +25°C | 65 | 80 | ns |
| | | | TA = TMIN to TMAX | | 100 | |
| Turn-Off Time | tOFF | VNO or VNC = 1.5V, Figure 2 | TA = +25°C | 62 | 80 | ns |
| | | | TA = TMIN to TMAX | | 100 | |
| Break-Before-Make Time Delay (Note 4) | tBBM | MAX4624 only, Figure 3a | 1 | 40 | | ns |
| Make-Before-Break Time Delay (Note 4) | tMBB | MAX4625 only, Figure 3b | 1 | 8 | | ns |
| Charge Injection | Q | CL = 1.0nF, Figure 4, VGEN = 0, RGEN = 0, TA = +25°C | | 40 | | pC |

1Ω, Low-Voltage, Single-Supply SPDT Analog Switches

ELECTRICAL CHARACTERISTICS—Single +3V Supply (continued)

(V+ = +2.7V to +3.6V, GND = 0, V_{INH} = 2.0V, V_{INL} = 0.6V, T_A = T_{MIN} to T_{MAX}, unless otherwise noted.) (Notes 2, 3)

| PARAMETER | SYMBOL | CONDITIONS | MIN | TYP | MAX | UNITS |
|-------------------------|------------------|--------------------------------------|-----|-----|-----|-------|
| LOGIC INPUT | | | | | | |
| Input Voltage Low | V _{INL} | | | | 0.6 | V |
| Input Voltage High | V _{INH} | | 2.0 | | | V |
| Logic Input Current | I _{IN} | | -1 | | 1 | μA |
| SUPPLY | | | | | | |
| Positive Supply Current | I+ | V+ = 3.6V, V _{IN} = 0 or V+ | | | 10 | μA |

Note 2: The algebraic convention, where the most negative value is a minimum and the most positive value is a maximum, is used in this data sheet.

Note 3: SOT-packaged parts are 100% tested at +25°C. Limits across the full temperature range are guaranteed by design and correlation.

Note 4: ΔRON = RON(MAX) - RON(MIN).

Note 5: Flatness is defined as the difference between the maximum and minimum values of on-resistance as measured over the specified analog signal range.

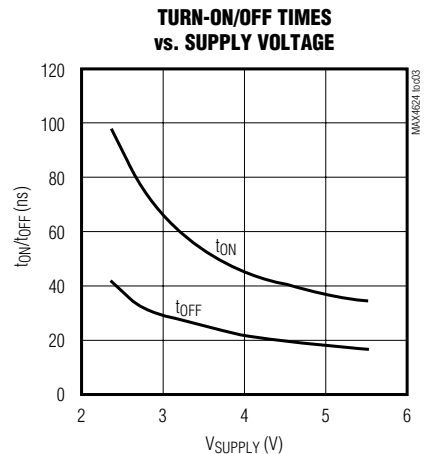
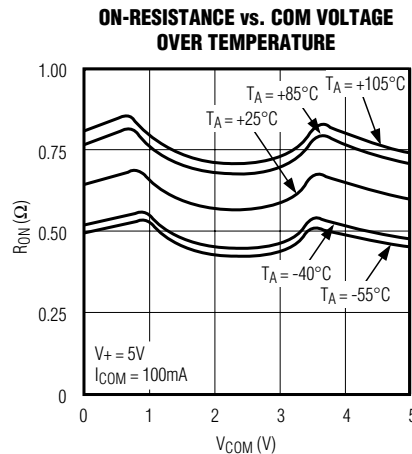
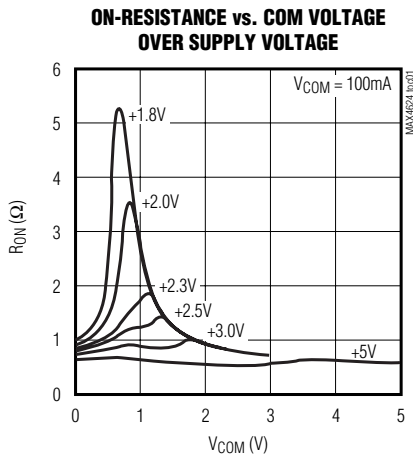
Note 6: Guaranteed by design.

Note 7: Off-Isolation = 20log₁₀ [V_{COM} / (V_{NC} or V_{NO})], V_{COM} = output, V_{NC} or V_{NO} = input to off switch.

Note 8: Between the two switches.

Typical Operating Characteristics

(T_A = +25°C, unless otherwise noted.)



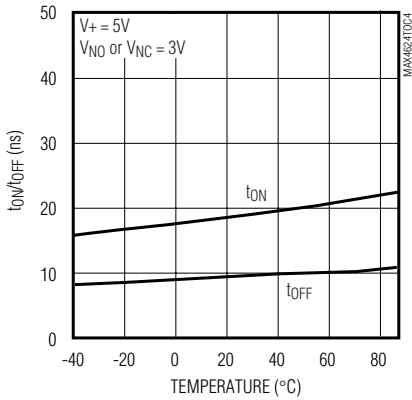
1Ω, Low-Voltage, Single-Supply SPDT Analog Switches

Typical Operating Characteristics (continued)

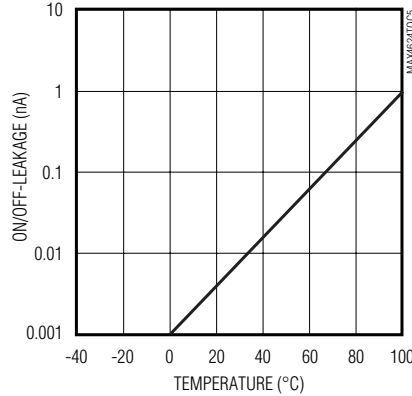
(T_A = +25°C, unless otherwise noted.)

MAX4624/MAX4625

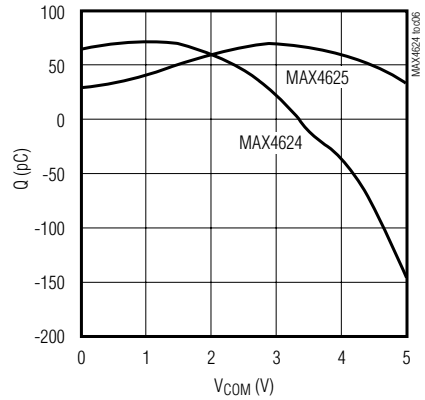
TURN-ON/OFF TIMES vs. TEMPERATURE



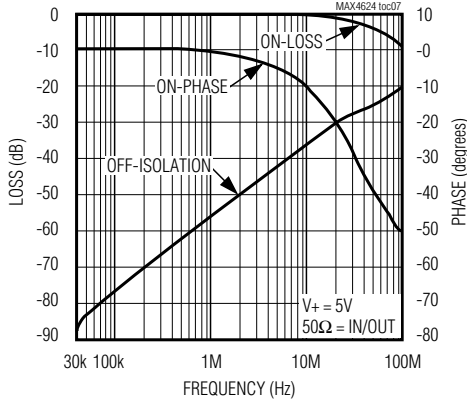
ON/OFF-LEAKAGE CURRENT vs. TEMPERATURE



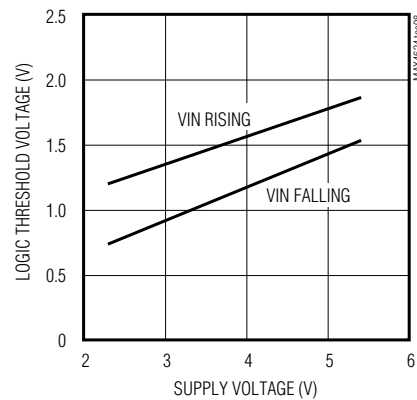
CHARGE INJECTION vs. COM VOLTAGE



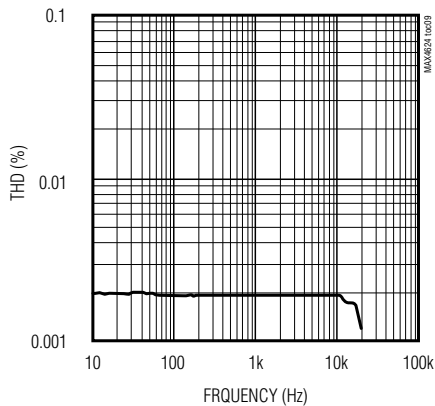
FREQUENCY RESPONSE



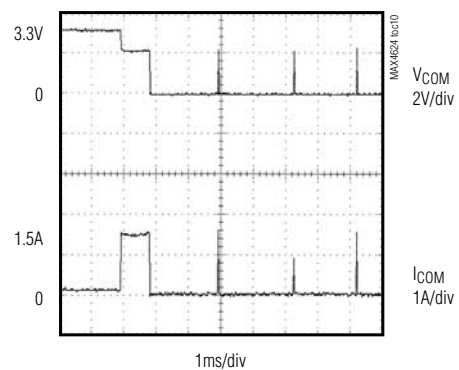
LOGIC THRESHOLD VOLTAGE vs. SUPPLY VOLTAGE



TOTAL HARMONIC DISTORTION vs. FREQUENCY



OVERCURRENT RESPONSE



1 Ω , Low-Voltage, Single-Supply SPDT Analog Switches

Pin Description

| PIN | NAME | FUNCTION |
|-----|------|-------------------------------|
| 1 | IN | Digital Control Input |
| 2 | V+ | Positive Supply Voltage Input |
| 3 | GND | Ground |
| 4 | NC | Analog Switch—Normally Closed |
| 5 | COM | Analog Switch—Common |
| 6 | NO | Analog Switch—Normally Open |

Detailed Description

The MAX4624/MAX4625 are low-on-resistance (R_{ON}), low-voltage, single-pole/double-throw (SPDT) analog switches that operate from a +1.8V to +5.5V supply. The MAX4624 has break-before-make switching, and the MAX4625 has make-before-break switching. These devices also have fast switching speeds ($t_{ON} = 50\text{ns}$ max, $t_{OFF} = 50\text{ns}$ max).

When powered from a +5V supply, their 1 Ω max R_{ON} allows high continuous currents to be switched in a variety of applications. In an overcurrent condition, these switches provide both current-limit and thermal-shutdown protection.

Current-Limit Protection

The MAX4624/MAX4625 feature current-limit protection circuitry. When the voltage drop across the on switch reaches 0.6V typ, the internal circuitry activates. The current limit is not instantaneous, but rather integrates

over time, so current limiting will not activate when the switch output charges a small 0.1 μF capacitor. For sustained overload conditions, the switch turns off (opens). The switch turns on after 5ms. If the overload persists, the switch cycles off and on to produce a pulsed output. A direct short circuit will be detected immediately, and the switch will pulse on for 1 μs , then remain off for 5ms.

Applications Information

Logic Inputs

The MAX4624/MAX4625 logic inputs can be driven up to +5.5V regardless of the supply voltage. For example, with a +3.3V supply, IN may be driven low to 0V and high to 5.5V. Driving IN Rail-to-Rail[®] minimizes power consumption.

Analog Signal Levels

Analog signals that range over the entire supply voltage ($V+$ to GND) can be passed with very little change in on-resistance (see *Typical Operating Characteristics*). The switches are bidirectional, so the NO, NC, and COM pins can be used as either inputs or outputs.

Power-Supply Sequencing and Overvoltage Protection

Caution: Do not exceed the absolute maximum ratings because stresses beyond the listed ratings may cause permanent damage to the devices.

Proper power-supply sequencing is recommended for all CMOS devices. Always apply $V+$ before applying analog signals, especially if the analog signal is not current limited. If this sequencing is not possible, and if the analog inputs are not current limited to <20mA, add

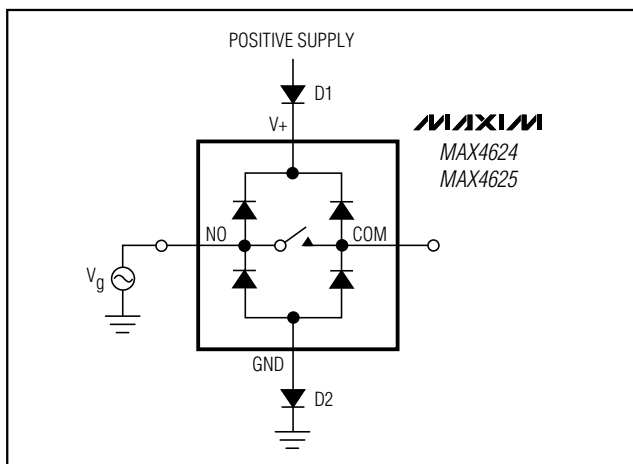


Figure 1. Overvoltage Protection Using Two External Blocking Diodes

Rail-to-Rail is a registered trademark of Nippon Motorola, Ltd.

1Ω, Low-Voltage, Single-Supply SPDT Analog Switches

a small-signal diode (D1) as shown in Figure 1. If the analog signal can dip below GND, add D2. Adding protection diodes reduces the analog range to a diode drop (about 0.7V) below V+ (for D1), and a diode drop above ground (for D2). On-resistance increases slightly at low supply voltages. Maximum supply voltage (V+) must not exceed +6V.

Adding protection diode D2 causes the logic threshold to be shifted relative to GND. TTL compatibility is not guaranteed when D2 is added.

Protection diodes D1 and D2 also protect against some overvoltage situations. With Figure 1's circuit, if the supply voltage is below the absolute maximum rating, and if a fault voltage up to the absolute maximum rating is applied to an analog signal pin, no damage will result.

Test Circuits/Timing Diagrams

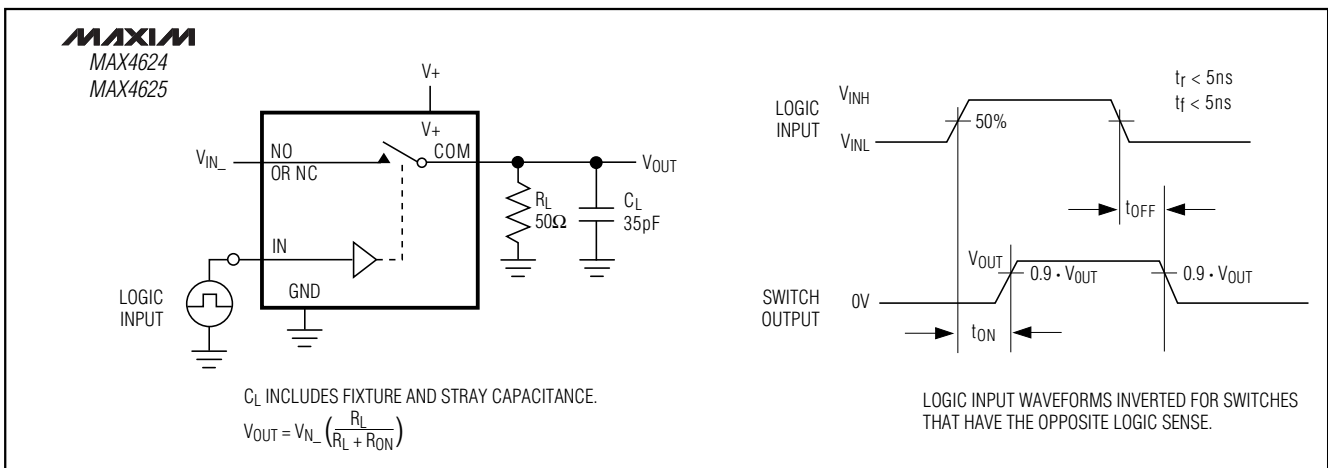


Figure 2. Switching Time

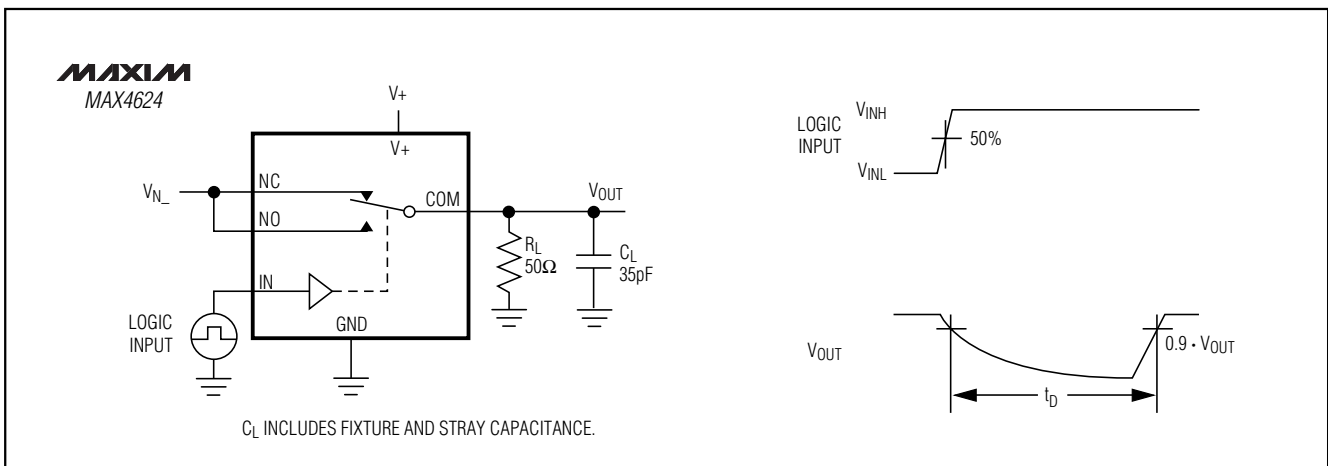


Figure 3a. Break-Before-Make Interval (MAX4624 only)

1Ω, Low-Voltage, Single-Supply SPDT Analog Switches

Test Circuits/Timing Diagrams (continued)

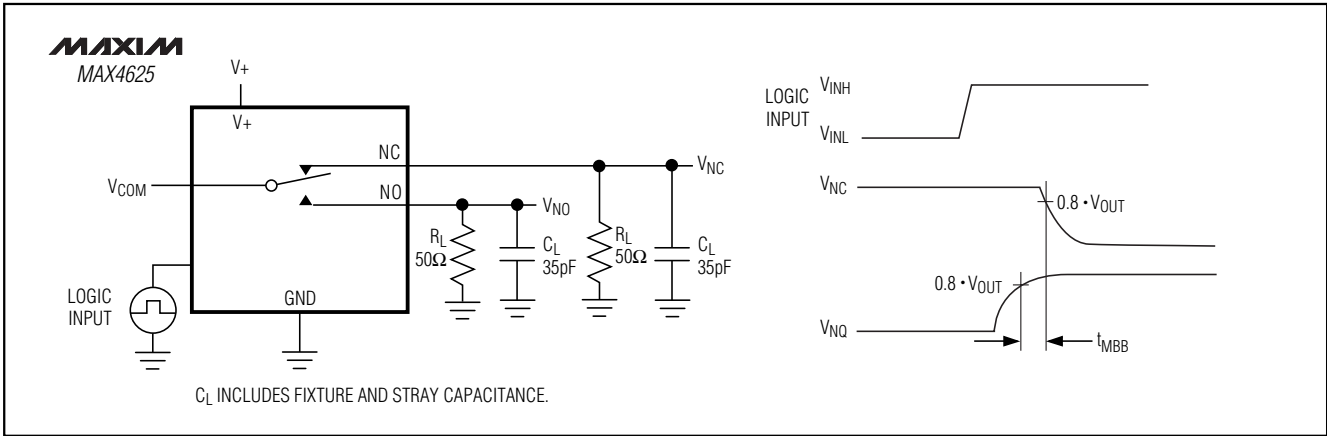


Figure 3b. Make-Before-Break Interval (MAX4625 only)

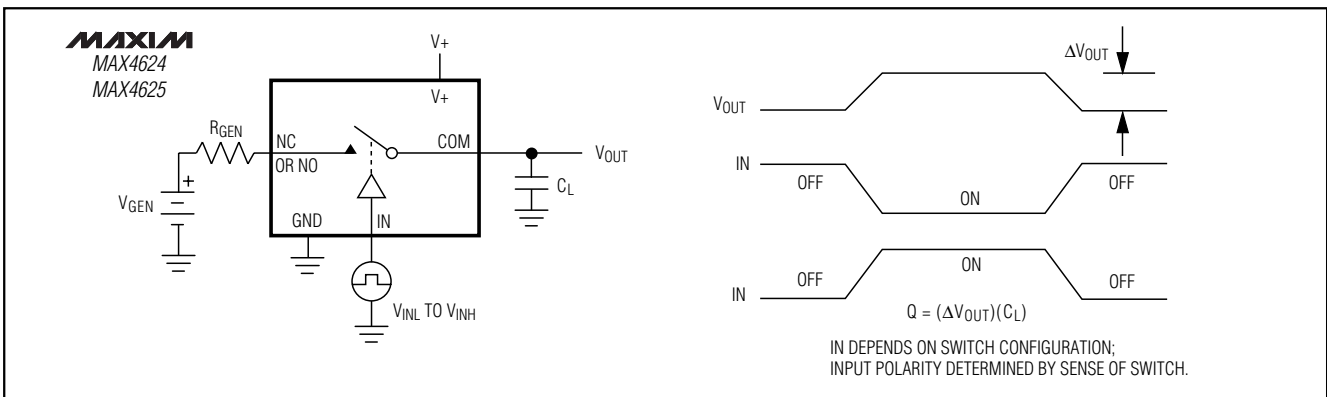


Figure 4. Charge Injection

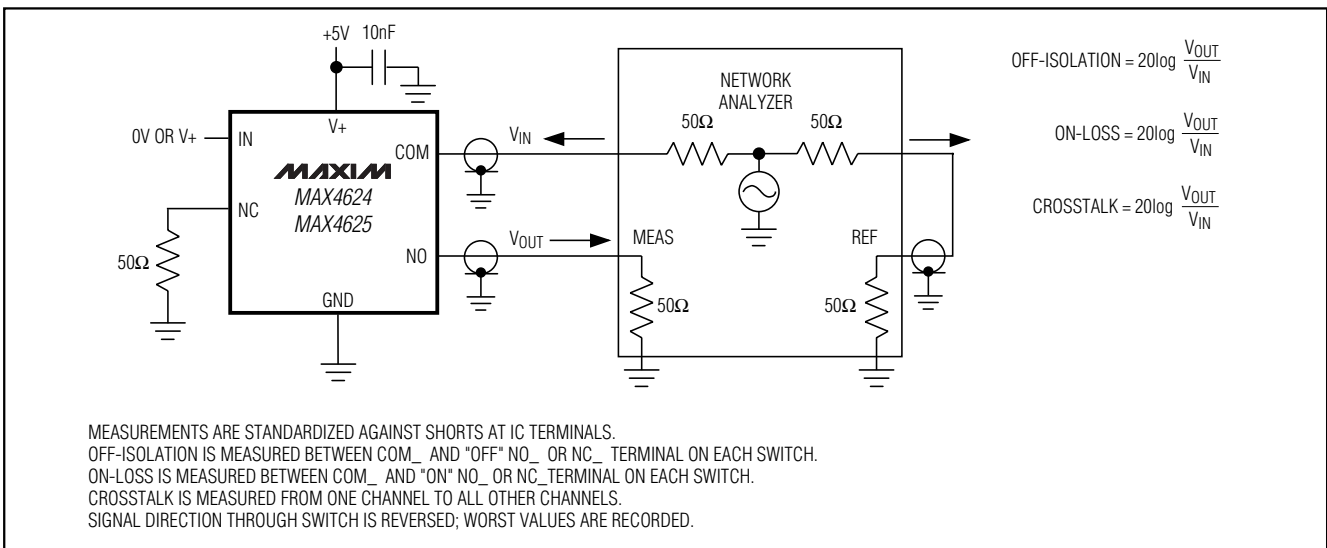


Figure 5. On-Loss, Off-Isolation, and Crosstalk

1Ω, Low-Voltage, Single-Supply SPDT Analog Switches

Chip Information

TRANSISTOR COUNT: 186

MAX4624/MAX4625

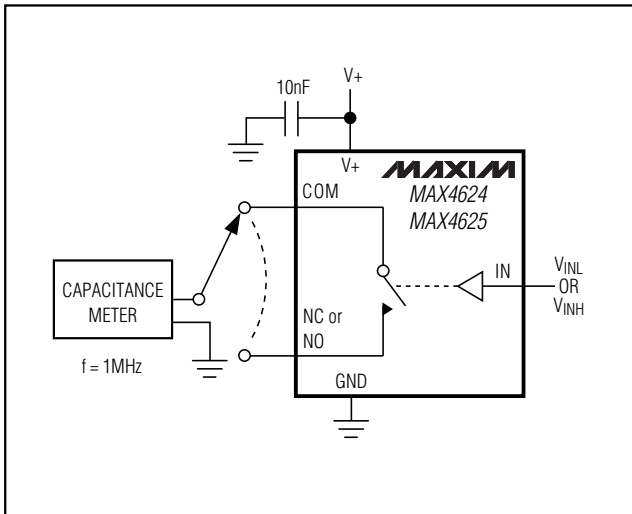
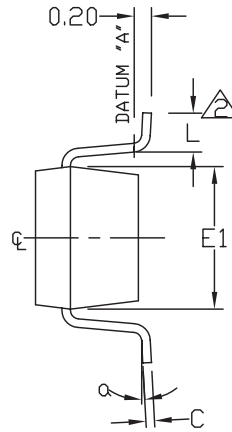
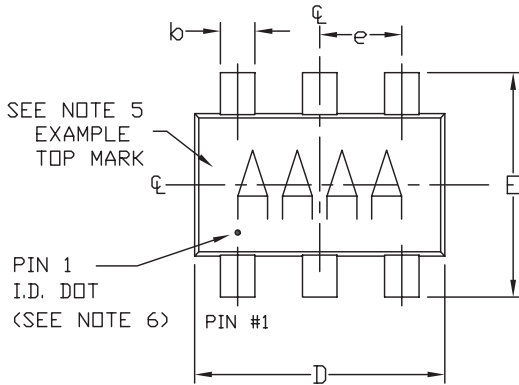


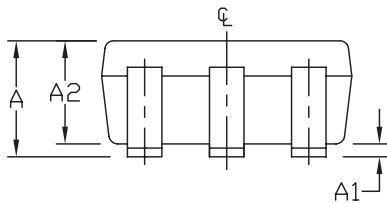
Figure 6. Channel Off/On-Capacitance

1Ω, Low-Voltage, Single-Supply SPDT Analog Switches

Package Information



| SYMBOL | MIN | MAX |
|----------|----------|------|
| A | 0.90 | 1.45 |
| A1 | 0.00 | 0.15 |
| A2 | 0.90 | 1.30 |
| b | 0.35 | 0.50 |
| C | 0.08 | 0.20 |
| D | 2.80 | 3.00 |
| E | 2.60 | 3.00 |
| E1 | 1.50 | 1.75 |
| L | 0.35 | 0.55 |
| e | 0.95 REF | |
| α | 0° | 10° |



NOTES:

1. ALL DIMENSIONS ARE IN MILLIMETERS.
2. FOOT LENGTH MEASURED AT INTERCEPT POINT BETWEEN DATUM A & LEAD SURFACE.
3. PACKAGE OUTLINE EXCLUSIVE OF MOLD FLASH & METAL BURR.
4. PACKAGE OUTLINE INCLUSIVE OF SOLDER PLATING.
5. PIN 1 IS LOWER LEFT PIN WHEN READING TOP MARK FROM LEFT TO RIGHT. (SEE EXAMPLE TOP MARK)
6. PIN 1 I.D. DOT IS 0.3 MM ϕ MIN. LOCATED ABOVE PIN 1.
7. MEETS JEDEC MQ178.

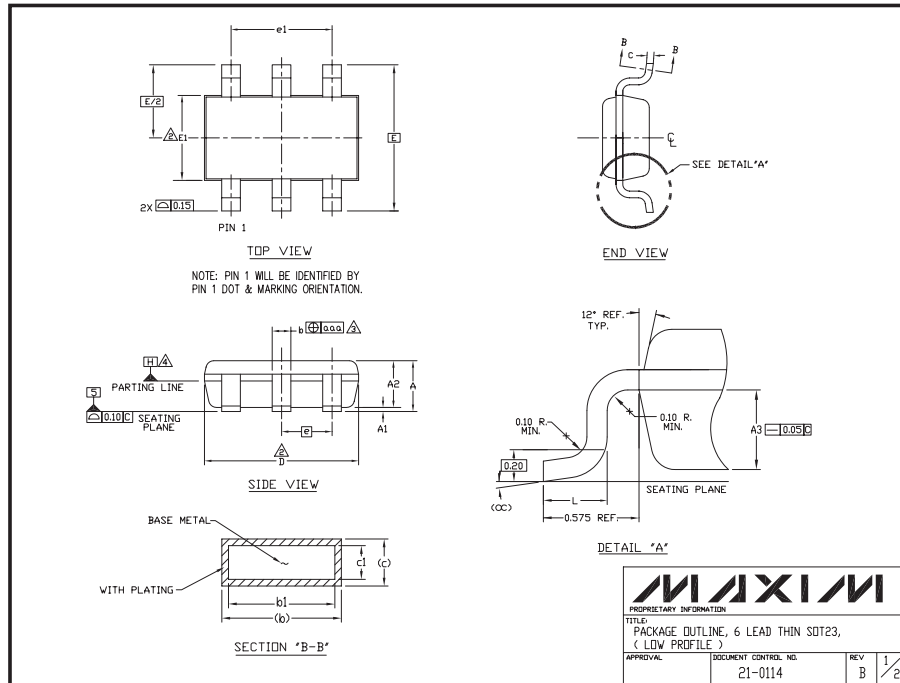
| | | | |
|--|-------------------------------------|--------------------|--------------------|
| MAXIM | | | |
| <small>PROPRIETARY INFORMATION</small> | | | |
| <small>TITLE:</small> | | | |
| PACKAGE OUTLINE, SOT-23, 6L | | | |
| <small>APPROVAL</small> | <small>DOCUMENT CONTROL NO.</small> | <small>REV</small> | <small>1/1</small> |
| | 21-0058 | E | |

6LSOT23PS

1Ω, Low-Voltage, Single-Supply SPDT Analog Switches

Package Information (continued)

MAX4624/MAX4625



NOTES:

- ALL DIMENSIONS ARE IN MILLIMETERS.
- "D" AND "E1" ARE REFERENCE DATUM AND DO NOT INCLUDE MOLD FLASH OR PROTRUSIONS, AND ARE MEASURED AT THE BOTTOM PARTING LINE. MOLD FLASH OR PROTRUSION SHALL NOT EXCEED 0.15mm ON "D" AND 0.25mm ON "E" PER SIDE.
- THE LEAD WIDTH DIMENSION DOES NOT INCLUDE DAMBAR PROTRUSION. ALLOWABLE DAMBAR PROTRUSION SHALL BE 0.07mm TOTAL IN EXCESS OF THE LEAD WIDTH DIMENSION AT MAXIMUM MATERIAL CONDITION.
- DATUM PLANE "H" LOCATED AT MOLD PARTING LINE AND COINCIDENT WITH LEAD, WHERE LEAD EXITS PLASTIC BODY AT THE BOTTOM OF PARTING LINE.
- THE LEAD TIPS MUST LINE WITHIN A SPECIFIED TOLERANCE ZONE. THIS TOLERANCE ZONE IS DEFINED BY TWO PARALLEL LINES. ONE PLANE IS THE SEATING PLANE, DATUM [-C-]; AND THE OTHER PLANE IS AT THE SPECIFIED DISTANCE FROM [-C-] IN THE DIRECTION INDICATED. FORMED LEADS SHALL BE PLANAR WITH RESPECT TO ONE ANOTHER WITH 0.10mm AT SEATING PLANE.
- THIS PART IS COMPLIANT WITH JEDEC SPECIFICATION MO-193 EXCEPT FOR THE "e" DIMENSION WHICH IS 0.95mm INSTEAD OF 1.00mm. THIS PART IS IN FULL COMPLIANCE TO EIAJ SPECIFICATION SC-74.

MAXIM

PROPRIETARY INFORMATION

TITLE: PACKAGE OUTLINE, 6 LEAD THIN SOT23, (LOW PROFILE)

APPROVAL: _____ DOCUMENT CONTROL NO. 21-0114 REV B 2/2

MAXIM

PROPRIETARY INFORMATION

TITLE: PACKAGE OUTLINE, 6 LEAD THIN SOT23, (LOW PROFILE)

APPROVAL: _____ DOCUMENT CONTROL NO. 21-0114 REV B 2/2

Maxim cannot assume responsibility for use of any circuitry other than circuitry entirely embodied in a Maxim product. No circuit patent licenses are implied. Maxim reserves the right to change the circuitry and specifications without notice at any time.

Maxim Integrated Products, 120 San Gabriel Drive, Sunnyvale, CA 94086 408-737-7600 _____ 11

Looking for pricing, stock, or lifecycle information?

Click below to explore more details on WIN SOURCE:

 [View MAX4624EUT-T on WIN SOURCE](#)

 [Maxim Integrated](#) Information

Optimize Your Supply Chain with WIN SOURCE Solutions

-  Global Sourcing Solution
-  Obsolete Management
-  Cost Control Management
-  Shortage Management
-  Alternative Solution
-  Excess Inventory Management