



**THE DATASHEET OF
MAX6808UR26-T**



MAX6806/MAX6807/ MAX6808

Voltage Detectors

General Description

The MAX6806/MAX6807/MAX6808 precision voltage detectors are ideal for accurate monitoring of power supplies in digital systems. They provide circuit reliability and reduce total cost by eliminating external components and adjustments.

The MAX6806/MAX6807/MAX6808 assert a reset signal whenever the supply voltage (V_{CC}) falls below the factory-preset, $\pm 2\%$ accurate threshold. Internal hysteresis ensures stable switching. The MAX6806/MAX6807/MAX6808 are available in 4.6V and 2.6V thresholds (2.3V is also available for the MAX6806 only). The MAX6806 features an active-low, push-pull $\overline{\text{RESET}}$ output; the MAX6807 features an active-high, push-pull RESET output; and the MAX6808 features an active-low, open-drain $\overline{\text{RESET}}$ output. $\overline{\text{RESET}}$ is valid for V_{CC} down to 1V (MAX6806/MAX6808), and RESET (MAX6807) is guaranteed for V_{CC} down to 1.2V.

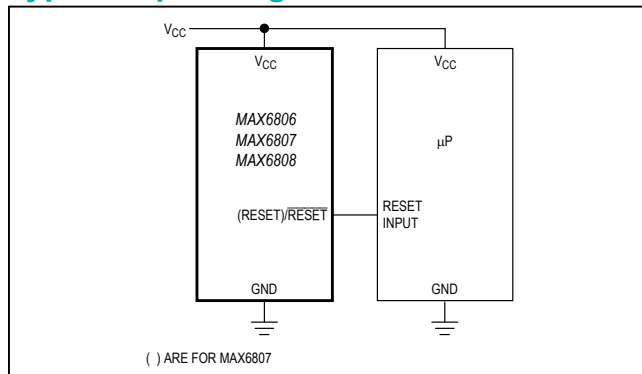
The MAX6806/MAX6807/MAX6808 are available in 3-pin SC70, 3-pin SOT23, 8-pin μMAX , 8-pin SO, and 4-pin SOT143 packages. The SOT143 package includes a manual-reset input.

Applications

- Computers
- Controllers
- Intelligent Instruments
- Critical μP and μC Power Monitoring
- Portable/Battery-Powered Equipment
- Bar-Code Scanners

Selector Guide and Pin Configurations appear at end of data sheet.

Typical Operating Circuit



Features

- Preset Reset Thresholds: 4.6V and 2.6V (2.3V also available for MAX6806 only)
- $\pm 2\%$ Accurate Reset Thresholds
- Reset Output Available in Active-Low (MAX6806), Active-High (MAX6807), and Open-Drain (MAX6808) Versions
- Immune to Power-Supply Transients
- $\overline{\text{RESET}}$ Valid to $V_{CC} = 1.0\text{V}$ (MAX6806/MAX6808)
- 35 μA Supply Current
- No External Components
- Manual Reset Available with 4-Pin SOT143 Package
- Miniature 3-Pin SC70, 3-Pin SOT23, and 4-Pin SOT143 Packages
- 8-Pin μMAX and 8-Pin SO Packages are Pin Compatible with the MC33064/MC33164/MC34064/MC34164

Ordering Information

| PART | TEMP. RANGE | PIN-PACKAGE |
|-----------------------|----------------|-------------------|
| MAX6806 XR__-T | -40°C to +85°C | 3 SC70 |
| MAX6806UR__-T | -40°C to +85°C | 3 SOT23 |
| MAX6806US__-T | -40°C to +85°C | 4 SOT143 |
| MAX6806UA__ | -40°C to +85°C | 8 μMAX |
| MAX6806SA__ | -40°C to +85°C | 8 SO |
| MAX6807 XR__-T | -40°C to +85°C | 3 SC70 |
| MAX6807UR__-T | -40°C to +85°C | 3 SOT23 |
| MAX6807US__-T | -40°C to +85°C | 4 SOT143 |
| MAX6807UA__ | -40°C to +85°C | 8 μMAX |
| MAX6807SA__ | -40°C to +85°C | 8 SO |
| MAX6808 XR__-T | -40°C to +85°C | 3 SC70 |
| MAX6808UR__-T | -40°C to +85°C | 3 SOT23 |
| MAX6808US__-T | -40°C to +85°C | 4 SOT143 |
| MAX6808UA__ | -40°C to +85°C | 8 μMAX |
| MAX6808SA__ | -40°C to +85°C | 8 SO |

* SOT23, SOT143, and SC70s are available in tape-and-reel only, 2500 piece minimum order quantity.

Note: Insert the desired number from the Selector Guide into the blank to complete the part number. Also see Selector Guide for top mark for SOT23

Absolute Maximum Ratings

V_{CC} to GND-0.3V to +6.0V
 RESET, $\overline{\text{RESET}}$ to GND
 (MAX6806/MAX6807)-0.3V to (V_{CC} + 0.3V)
 RESET to GND (MAX6808)-0.3V to + 6.0V
 MR to GND (SOT143 package only)-0.3V to + 6.0V
 Input Current, V_{CC}±20mA
 Output Current, RESET, $\overline{\text{RESET}}$ ±20mA
 Rate of Rise, V_{CC}100V/μs

Continuous Power Dissipation (T_A = +70°C)
 SOT23, SOT143 (derate 4mW/°C above +70°C)320mW
 SC70 (derate 2.17mW/°C above +70vC)174mW
 μMAX (derate 4.5mW/°C above +70°C)362mW
 SO (derate 5.9mW/°C above +70°C)471mW
 Operating Temperature Range-40°C to +85°C
 Storage Temperature Range-65°C to +160°C
 Lead Temperature (soldering, 10s)+300°C

Stresses beyond those listed under "Absolute Maximum Ratings" may cause permanent damage to the device. These are stress ratings only, and functional operation of the device at these or any other conditions beyond those indicated in the operational sections of the specifications is not implied. Exposure to absolute maximum rating conditions for extended periods may affect device reliability.

Electrical Characteristics

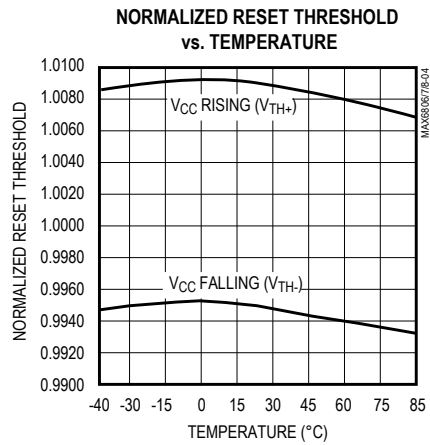
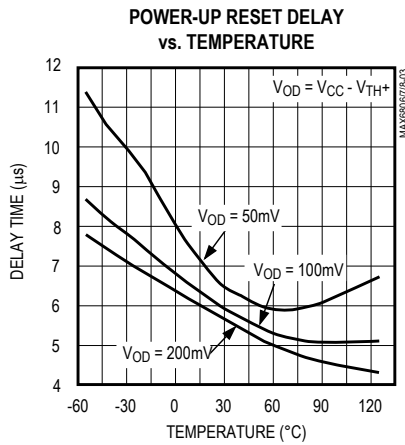
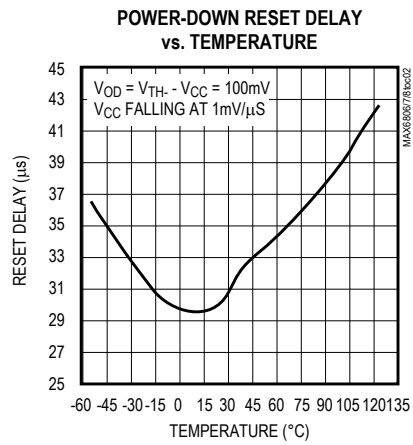
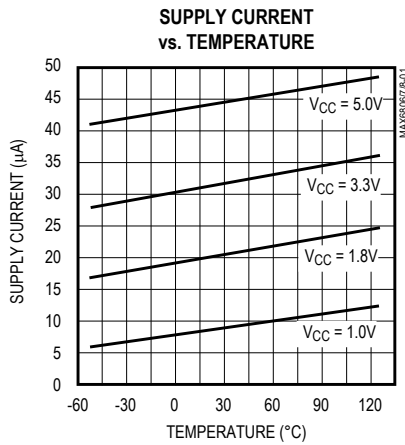
(V_{CC} = +5V, T_A = -40°C to +85°C, unless otherwise noted. Typical values are at T_A = +25°C.) (Note 1)

| PARAMETER | SYMBOL | CONDITIONS | MIN | TYP | MAX | UNITS | |
|---|-------------------|--|---------------------|--------------------------|--------------------------|--------|---|
| Supply Voltage Range | V _{CC} | TA = 0°C to +70°C | 1.0 | | 5.5 | V | |
| | | TA = -40°C to +85°C | 1.2 | | 5.5 | | |
| Supply Current | I _{CC} | V _{CC} = +3.6V, no load | | 35 | 60 | μA | |
| | | V _{CC} = +5.5V, no load | | 50 | 80 | | |
| Reset Threshold | V _{TH-} | TA = +25°C V _{CC} falling | MAX680__ _46 | 4.508 | 4.60 | 4.692 | V |
| | | | MAX680__ _32 | 3.136 | 3.20 | 3.264 | |
| | | | MAX680__ _26 | 2.548 | 2.60 | 2.652 | |
| | | | MAX680__ _23 | 2.254 | 2.30 | 2.346 | |
| Reset Threshold Hysteresis | V _{HYST} | TA = +25°C, Figure 2 | | 0.02 V _{TH-} | 0.03 V _{TH-} | V | |
| RESET Output Voltage (MAX6806/MAX6808) | V _{OL} | ISINK = 20μA, V _{CC} = 1.0V | | | 0.3 | V | |
| | V _{OL} | ISINK = 1.0mA, V _{CC} = 2.0V | | | 0.4 | | |
| | V _{OH} | ISOURCE = 2.0mA, V _{CC} = 5.0V (MAX6806 only) | 0.8 V _{CC} | | | | |
| RESET Output Leakage Current | I _{OH} | V _{CC} = 5.5V, RESET deasserted (MAX6808 only) | | | 1 | μA | |
| RESET Output Voltage (MAX6807) | V _{OH} | ISOURCE = 20μA, V _{CC} = 1.2V | 0.8 V _{CC} | | | V | |
| | V _{OH} | ISOURCE = 400μA, V _{CC} = 2.0V | 0.8 V _{CC} | | | | |
| | V _{OL} | ISINK = 3.2mA, V _{CC} = 5.0V | | | 0.4 | | |
| V _{CC} to Reset Delay (Note 2) | | V _{CC} falling at 1mV/μs | | 30 | | μs | |
| Reset Threshold Tempco | | | | 30 | | ppm/°C | |
| MR Pulldown Resistance | R _{MR} | | 40 | 80 | 120 | kΩ | |
| MR Input Threshold | V _{IL} | V _{CC} > V _{TH+} | | | 0.6 | V | |
| | V _{IH} | | | 0.7 V _{CC} | | | |

Note1: All devices are 100% production tested at T_A = +25°C, and are guaranteed by design for T_A = T_{MIN} to T_{MAX}, as specified.
 Note 2: $\overline{\text{RESET}}$ output for MAX6806/MAX6808, RESET output for MAX6807.

Typical Operating Characteristics

(T_A = +25°C, unless otherwise noted.)



Pin Description

| PIN | | | NAME | FUNCTION |
|------------|--------|---------|---------------------------|---|
| SOT23/SC70 | SOT143 | µMAX/SO | | |
| 1 | 1 | 1 | $\overline{\text{RESET}}$ | Active-Low Reset Output (MAX6806/MAX6808). $\overline{\text{RESET}}$ remains low while V _{CC} is below the reset-threshold voltage or while MR is held high. |
| | | | RESET | Active-High Reset Output (MAX6807). RESET remains high while V _{CC} is below the reset-threshold voltage or while MR is held high. |
| 2 | 4 | 4 | GND | Ground |
| 3 | 3 | 2 | VCC | Supply Voltage Input |
| — | 2 | — | MR | Active-High Manual Reset Input. Internal 80kΩ resistor to GND. |
| — | — | 3,5–8 | N.C. | Not Internally Connected |

Detailed Description

Reset Output

The MAX6806 voltage detector features an active-low, push-pull $\overline{\text{RESET}}$ output, while the MAX6807 features an active-high, push-pull RESET output. Unlike microprocessor (μP) supervisory circuits that offer a reset timeout period, the MAX6806 and MAX6807 $\overline{\text{RESET}}$ goes high and RESET goes low virtually immediately once V_{CC} exceeds the reset threshold. If a brownout occurs (V_{CC} falls below the reset threshold), $\overline{\text{RESET}}$ goes low and RESET goes high. $\overline{\text{RESET}}$ is guaranteed to be a logic low for $V_{\text{CC}} \geq 1\text{V}$ and RESET is guaranteed to be a logic high for $V_{\text{CC}} \geq 1.2\text{V}$.

The MAX6808 features an active-low, open-drain $\overline{\text{RESET}}$ output. The output sinks current when V_{CC} falls below the reset threshold. Connect a pullup resistor from $\overline{\text{RESET}}$ to any supply voltage up to 6V (Figure 1). Select a resistor value large enough to provide a logic low and small enough to provide a logic high while supplying all input and leakage currents connected to the $\overline{\text{RESET}}$ line. A 100k Ω resistor is sufficient in applications driving high-impedance loads.

The manual reset input (MR, 4-pin SOT143 package) can also initiate a reset (see Manual Reset Input section).

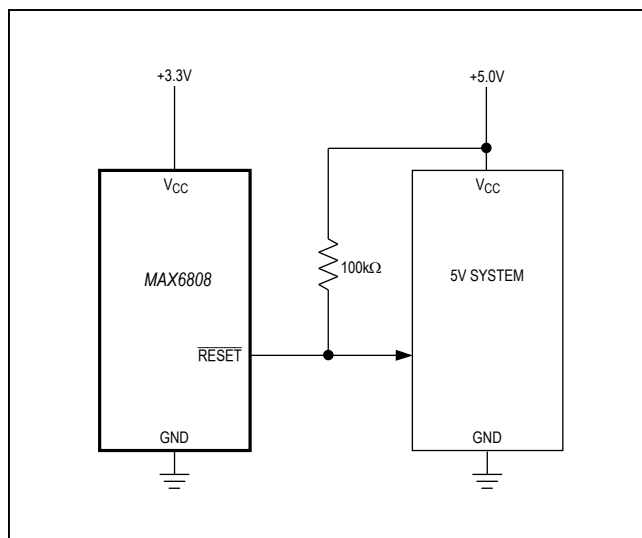


Figure 1. The MAX6808 Open-Drain $\overline{\text{RESET}}$ Output Allows Use with Multiple Supplies

Manual-Reset Input

Many applications require manual-reset capabilities, allowing an operator, a test technician, or external logic circuitry to initiate a reset. A logic high on MR asserts a reset and remains asserted while MR is high. This input has an 80k Ω pulldown resistor, so the input can be left unconnected if not used. Connect a normally open momentary switch from MR to V_{CC} to create a manual-reset function. If MR is driven from long cables or if the device is used in a noisy environment, connecting a 0.1 μF capacitor from MR to ground provides noise immunity.

Hysteresis

The MAX6806/MAX6807/MAX6808 feature internal hysteresis that creates two trip points: one for the rising supply voltage and one for the falling supply voltage (Figure 2). The hysteresis prevents the output from oscillating (chattering) when V_{CC} is near the reset threshold.

Reset Threshold Accuracy

The MAX6806/MAX6807/MAX6808 are ideal for systems using a 5V $\pm 5\%$, 3V $\pm 5\%$, or 2.5V $\pm 5\%$ power supply with ICs specified for 5V $\pm 10\%$, 3V $\pm 10\%$, or 2.5V $\pm 10\%$, respectively. The reset is guaranteed to assert after the power supply falls out of regulation, but before power drops below the minimum specified operating voltage range for the system ICs.

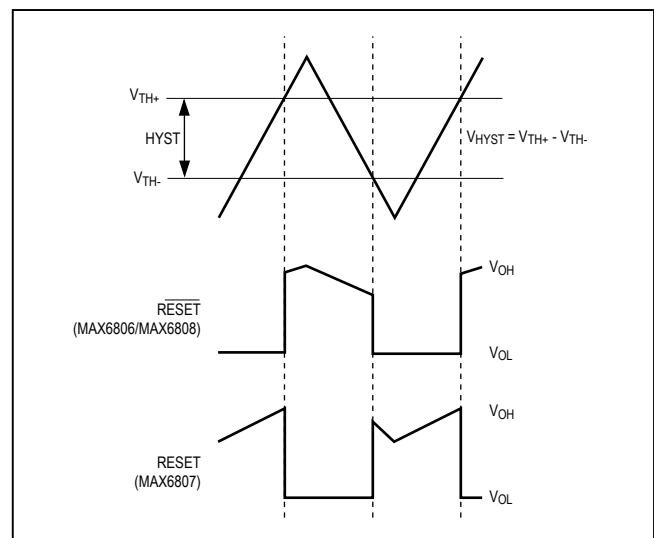


Figure 2. Input and Output Waveforms with V_{CC} Varied

Applications Information

Negative-Going V_{CC} Transients

In addition to asserting a reset signal during power-up, power-down, and brown-out conditions, the MAX6806/MAX6807/MAX6808 are immune to short-duration, negative-going V_{CC} transients.

Figure 3 displays typical transient durations vs. reset-comparator overdrive for which the MAX6806/MAX6807/MAX6808 do **not** generate a reset pulse. The graph was generated using a negative-going pulse applied to V_{CC} , starting 0.5V above the actual reset threshold and ending below it by the magnitude indicated (reset-comparator overdrive). The graph indicates the maximum pulse width a negative-going V_{CC} transient can have without causing a reset pulse. As the magnitude of the transient increases (goes further below the reset threshold), the maximum allowable pulse width decreases. A 0.1 μ F capacitor mounted as close as possible to V_{CC} provides additional transient immunity.

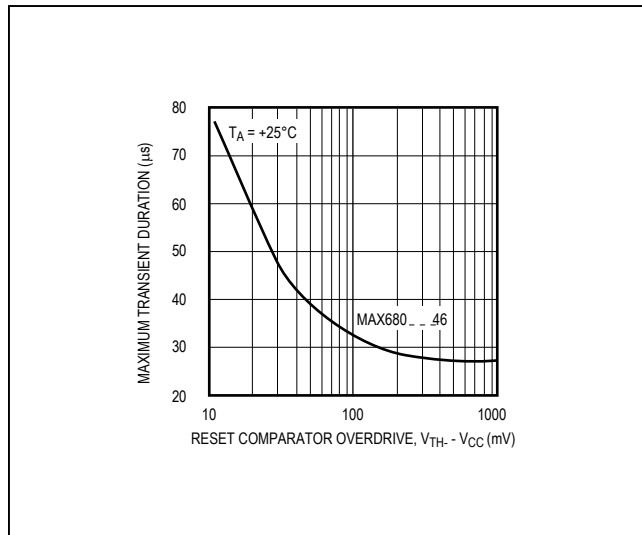


Figure 3. Maximum Transient Duration without Causing a Reset Pulse vs. Reset Comparator Overdrive

Ensuring a Valid Reset Output Down to $V_{CC} = \text{Ground}$

When V_{CC} falls below 1V, the MAX6806/MAX6808 $\overline{\text{RESET}}$ output no longer sinks current—it becomes an open circuit. Therefore, high-impedance CMOS logic inputs connected to $\overline{\text{RESET}}$ can drift to undetermined voltages. This presents no problem in most applications, since most circuitry is inoperative when V_{CC} is below 1V. In applications where $\overline{\text{RESET}}$ must be valid down to ground, add a pulldown resistor to $\overline{\text{RESET}}$ so any stray leakage currents flow to ground, holding $\overline{\text{RESET}}$ low (Figure 4). Select R1 to be large enough not to load $\overline{\text{RESET}}$ and small enough to pull $\overline{\text{RESET}}$ to ground. For most applications, 100k Ω will not load $\overline{\text{RESET}}$ and will pull $\overline{\text{RESET}}$ to ground. Similarly, if RESET (MAX6807) must be valid below 1.2V, add a pullup resistor to RESET.

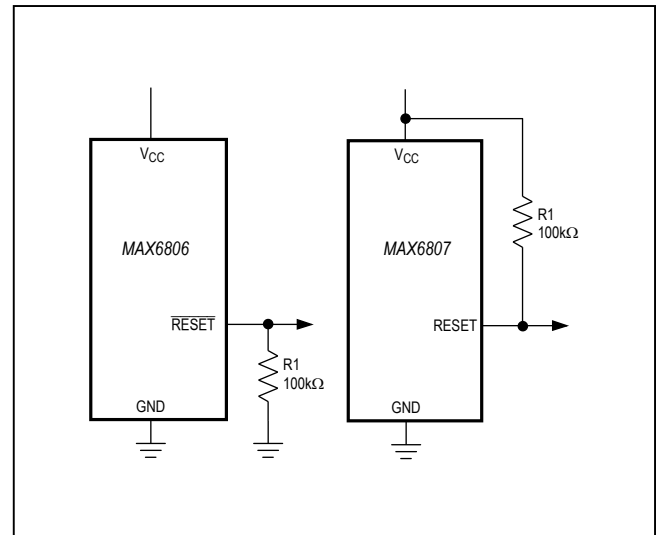


Figure 4. $\overline{\text{RESET}}$ / RESET Valid to $V_{CC} = \text{Ground}$ Circuit

Interfacing to μ Ps with Bidirectional Reset Pins

μ Ps with bidirectional reset pins (such as the Motorola 68HC11 series) can contend with push-pull $\overline{\text{RESET}}$ outputs, resulting in indeterminate logic levels. Use the MAX6808 with the open-drain $\overline{\text{RESET}}$ when interfacing to this type of controller.

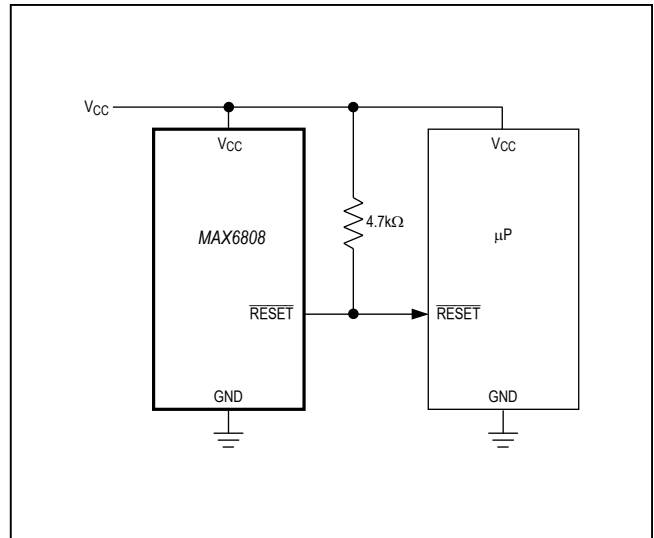


Figure 5. Interfacing to μ Ps with Bidirectional Reset I/O

Selector Guide

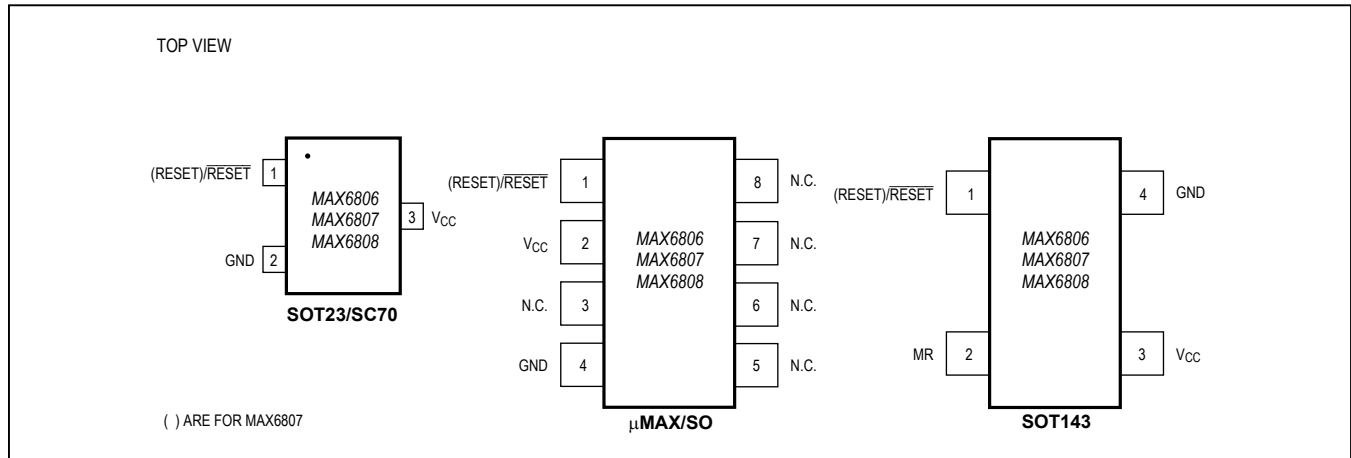
| PART | RESET OUTPUT | TOP MARK | NOMINAL V_{TH} - (V)† |
|---------------|-----------------------|----------|-------------------------|
| MAX6806SA46 | Active-Low, Push-Pull | — | 4.6 |
| MAX6806SA26 | | — | 2.6 |
| MAX6806SA23 | | — | 2.3 |
| MAX6806UA46 | | — | 4.6 |
| MAX6806UA26 | | — | 2.6 |
| MAX6806UA23 | | — | 2.3 |
| MAX6806UR46-T | | FZDP | 4.6 |
| MAX6806UR26-T | | FZDQ | 2.6 |
| MAX6806UR23-T | | FZDR | 2.3 |
| MAX6806US46-T | | KABT | 4.6 |
| MAX6806US26-T | | KABU | 2.6 |
| MAX6806US23-T | | KABV | 2.3 |
| MAX6806XR46-T | | AAA | 4.6 |
| MAX6806XR26-T | | AAB | 2.6 |
| MAX6806XR23-T | | AAC | 2.3 |

Selector Guide (continued)

| PART | RESET OUTPUT | TOP MARK | NOMINAL VTH- (V) † |
|---------------|------------------------|------------------------|--------------------|
| MAX6807SA46 | Active-High, Push-Pull | — | 4.6 |
| MAX6807SA26 | | — | 2.6 |
| MAX6807UA46 | | — | 4.6 |
| MAX6807UA26 | | — | 2.6 |
| MAX6807UR46-T | | FZDS | 4.6 |
| MAX6807UR26-T | | FZDT | 2.6 |
| MAX6807US46-T | | KABW | 4.6 |
| MAX6807US26-T | | KABX | 2.6 |
| MAX6807XR46-T | | AAD | 4.6 |
| MAX6807XR26-T | | AAE | 2.6 |
| MAX6808SA46 | | Active-Low, Open-Drain | — |
| MAX6808SA32 | — | | 3.2 |
| MAX6808SA26 | — | | 2.6 |
| MAX6808UA46 | — | | 4.6 |
| MAX6808UA32 | — | | 3.2 |
| MAX6808UA26 | — | | 2.6 |
| MAX6808UR46-T | FZDU | | 4.6 |
| MAX6808UR32-T | FZFL | | 3.2 |
| MAX6808UR26-T | FZDV | | 2.6 |
| MAX6808US46-T | KABY | | 4.6 |
| MAX6808US32-T | KACC | | 3.2 |
| MAX6808US26-T | KABZ | | 2.6 |
| MAX6808XR46-T | AAF | | 4.6 |
| MAX6808XR32-T | ACD | | 3.2 |
| MAX6808XR26-T | AAG | | 2.6 |

Other voltage thresholds may be available. Contact factory for availability.

Pin Configurations



Chip Information

TRANSISTOR COUNT: 72

Package Information

For the latest package outline information and land patterns (footprints), go to www.maximintegrated.com/packages. Note that a "+", "#", or "-" in the package code indicates RoHS status only. Package drawings may show a different suffix character, but the drawing pertains to the package regardless of RoHS status.

| PACKAGE TYPE | PACKAGE CODE | OUTLINE NO. | LAND PATTERN NO. |
|--------------|--------------|-------------------------|-------------------------|
| 3 SC70 | X3-2 | 21-0075 | 90-0208 |
| 3 SOT23 | U3-1 | 21-0051 | 90-0179 |
| 4 SOT143 | U4-1 | 21-0052 | 90-0183 |
| 8 SO | — | 21-0041 | — |
| 8 μMAX | — | 21-0036 | — |

Revision History

| REVISION NUMBER | REVISION DATE | DESCRIPTION | PAGES CHANGED |
|-----------------|---------------|---|---------------|
| 3 | 7/14 | No IV OPNs; removed Automotive reference from <i>Applications</i> section; updated <i>Package Information</i> | 1, 9–13 |

For pricing, delivery, and ordering information, please contact Maxim Direct at 1-888-629-4642, or visit Maxim Integrated's website at www.maximintegrated.com.

Maxim Integrated cannot assume responsibility for use of any circuitry other than circuitry entirely embodied in a Maxim Integrated product. No circuit patent licenses are implied. Maxim Integrated reserves the right to change the circuitry and specifications without notice at any time. The parametric values (min and max limits) shown in the Electrical Characteristics table are guaranteed. Other parametric values quoted in this data sheet are provided for guidance.

Looking for pricing, stock, or lifecycle information?

Click below to explore more details on WIN SOURCE:

 [View MAX6808UR26-T on WIN SOURCE](#)

 [Maxim Integrated](#) Information

Optimize Your Supply Chain with WIN SOURCE Solutions

-  Global Sourcing Solution
-  Obsolete Management
-  Cost Control Management
-  Shortage Management
-  Alternative Solution
-  Excess Inventory Management