



**THE DATASHEET OF  
MC14053BFEL**



# MC14051B, MC14052B, MC14053B



ON Semiconductor®

<http://onsemi.com>

## Analog Multiplexers/Demultiplexers

The MC14051B, MC14052B, and MC14053B analog multiplexers are digitally-controlled analog switches. The MC14051B effectively implements an SP8T solid state switch, the MC14052B a DP4T, and the MC14053B a Triple SPDT. All three devices feature low ON impedance and very low OFF leakage current. Control of analog signals up to the complete supply voltage range can be achieved.

### Features

- Triple Diode Protection on Control Inputs
- Switch Function is Break Before Make
- Supply Voltage Range = 3.0 Vdc to 18 Vdc
- Analog Voltage Range ( $V_{DD} - V_{EE}$ ) = 3.0 to 18 V  
Note:  $V_{EE}$  must be  $\leq V_{SS}$
- Linearized Transfer Characteristics
- Low-noise – 12 nV/ $\sqrt{\text{Cycle}}$ ,  $f \geq 1.0$  kHz Typical
- Pin-for-Pin Replacement for CD4051, CD4052, and CD4053
- For 4PDT Switch, See MC14551B
- For Lower  $R_{ON}$ , Use the HC4051, HC4052, or HC4053 High-Speed CMOS Devices
- NLV Prefix for Automotive and Other Applications Requiring Unique Site and Control Change Requirements; AEC-Q100 Qualified and PPAP Capable
- These Devices are Pb-Free and are RoHS Compliant

### MAXIMUM RATINGS (Voltages Referenced to $V_{SS}$ )

| Symbol                  | Parameter   | Value                  | Unit |
|-------------------------|---|------------------------|------|
| $V_{DD}$                | DC Supply Voltage Range (Referenced to $V_{EE}$ , $V_{SS} \geq V_{EE}$ )  | -0.5 to +18.0          | V    |
| $V_{in}$ ,<br>$V_{out}$ | Input or Output Voltage Range (DC or Transient) (Referenced to $V_{SS}$ for Control Inputs and $V_{EE}$ for Switch I/O) | -0.5 to $V_{DD} + 0.5$ | V    |
| $I_{in}$                | Input Current (DC or Transient) per Control Pin   | +10                    | mA   |
| $I_{SW}$                | Switch Through Current  | $\pm 25$               | mA   |
| $P_D$                   | Power Dissipation per Package (Note 1)  | 500                    | mW   |
| $T_A$                   | Ambient Temperature Range   | -55 to +125            | °C   |
| $T_{stg}$               | Storage Temperature Range   | -65 to +150            | °C   |
| $T_L$                   | Lead Temperature (8-Second Soldering)   | 260                    | °C   |

Stresses exceeding those listed in the Maximum Ratings table may damage the device. If any of these limits are exceeded, device functionality should not be assumed, damage may occur and reliability may be affected.

1. Temperature Derating: "D/DW" Packages: -7.0 mW/°C From 65°C To 125°C

This device contains protection circuitry to guard against damage due to high static voltages or electric fields. However, precautions must be taken to avoid applications of any voltage higher than maximum rated voltages to this high-impedance circuit. For proper operation,  $V_{in}$  and  $V_{out}$  should be constrained to the range  $V_{SS} \leq (V_{in} \text{ or } V_{out}) \leq V_{DD}$ .

Unused inputs must always be tied to an appropriate logic voltage level (e.g., either  $V_{SS}$ ,  $V_{EE}$  or  $V_{DD}$ ). Unused outputs must be left open.

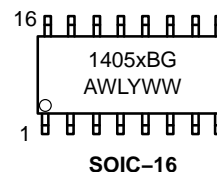


1  
SOIC-16  
D SUFFIX  
CASE 751B



1  
TSSOP-16  
DT SUFFIX  
CASE 948F

### MARKING DIAGRAMS



- x = 1, 2, or 3
- A = Assembly Location
- WL, L = Wafer Lot
- Y = Year
- WW, W = Work Week
- G or ■ = Pb-Free Package

(Note: Microdot may be in either location)

### ORDERING INFORMATION

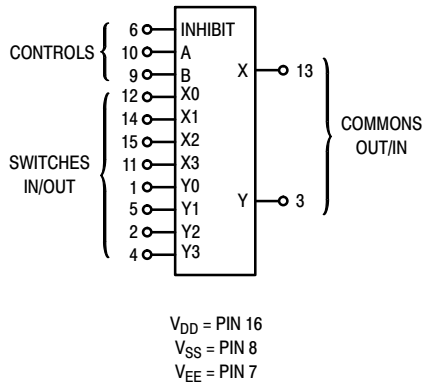
See detailed ordering and shipping information in the package dimensions section on page 9 of this data sheet.

# MC14051B, MC14052B, MC14053B

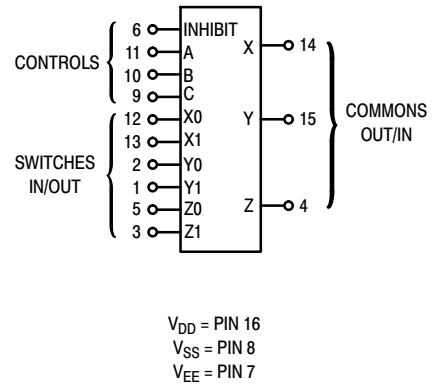
**MC14051B**  
8-Channel Analog  
Multiplexer/Demultiplexer



**MC14052B**  
Dual 4-Channel Analog  
Multiplexer/Demultiplexer

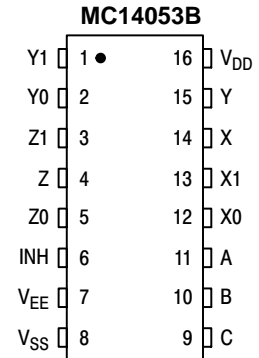
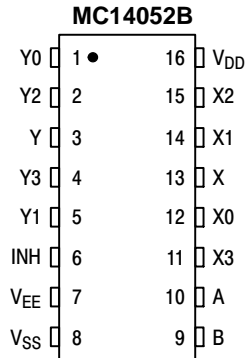
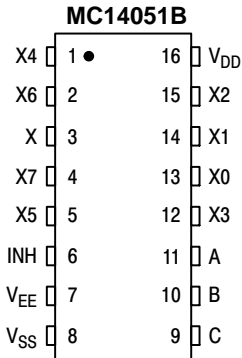


**MC14053B**  
Triple 2-Channel Analog  
Multiplexer/Demultiplexer



Note: Control Inputs referenced to V<sub>SS</sub>. Analog Inputs and Outputs reference to V<sub>EE</sub>. V<sub>EE</sub> must be ≤ V<sub>SS</sub>.

## PIN ASSIGNMENT



# MC14051B, MC14052B, MC14053B

## ELECTRICAL CHARACTERISTICS

| Characteristic | Symbol | V <sub>DD</sub> | Test Conditions | -55°C |     | 25°C |                 |     | 125°C |     | Unit |
|----------------|--------|-----------------|-----------------|-------|-----|------|-----------------|-----|-------|-----|------|
|                |        |                 |                 | Min   | Max | Min  | Typ<br>(Note 2) | Max | Min   | Max |      |

### SUPPLY REQUIREMENTS (Voltages Referenced to V<sub>EE</sub>)

|  |                    |                 |  |             |                 |             |                         |                 |             |   |    |
|--|--------------------|-----------------|--|-------------|-----------------|-------------|-------------------------|-----------------|-------------|---|----|
| Power Supply Voltage Range                                 | V <sub>DD</sub>    | -               | V <sub>DD</sub> - 3.0 ≥ V <sub>SS</sub> ≥ V <sub>EE</sub>  | 3.0         | 18              | 3.0         | -                       | 18              | 3.0         | 18  | V  |
| Quiescent Current Per Package                              | I <sub>DD</sub>    | 5.0<br>10<br>15 | Control Inputs:<br>V <sub>in</sub> = V <sub>SS</sub> or V <sub>DD</sub> ,<br>Switch I/O: V <sub>EE</sub> ≤ V <sub>I/O</sub> ≤<br>V <sub>DD</sub> , and ΔV <sub>switch</sub> ≤<br>500 mV (Note 3) | -<br>-<br>- | 5.0<br>10<br>20 | -<br>-<br>- | 0.005<br>0.010<br>0.015 | 5.0<br>10<br>20 | -<br>-<br>- | 150<br>300<br>600   | μA |
| Total Supply Current (Dynamic Plus Quiescent, Per Package) | I <sub>D(AV)</sub> | 5.0<br>10<br>15 | T <sub>A</sub> = 25°C only (The channel component, (V <sub>in</sub> - V <sub>out</sub> )/R <sub>on</sub> , is not included.)   | Typical     |                 |             |                         |                 |             | (0.07 μA/kHz) f + I <sub>DD</sub><br>(0.20 μA/kHz) f + I <sub>DD</sub><br>(0.36 μA/kHz) f + I <sub>DD</sub> | μA |

### CONTROL INPUTS — INHIBIT, A, B, C (Voltages Referenced to V<sub>SS</sub>)

|                          |                 |                 |  |                  |                   |                  |                      |                   |                  |                   |    |
|--------------------------|-----------------|-----------------|--|------------------|-------------------|------------------|----------------------|-------------------|------------------|-------------------|----|
| Low-Level Input Voltage  | V <sub>IL</sub> | 5.0<br>10<br>15 | R <sub>on</sub> = per spec,<br>I <sub>off</sub> = per spec | -<br>-<br>-      | 1.5<br>3.0<br>4.0 | -<br>-<br>-      | 2.25<br>4.50<br>6.75 | 1.5<br>3.0<br>4.0 | -<br>-<br>-      | 1.5<br>3.0<br>4.0 | V  |
| High-Level Input Voltage | V <sub>IH</sub> | 5.0<br>10<br>15 | R <sub>on</sub> = per spec,<br>I <sub>off</sub> = per spec | 3.5<br>7.0<br>11 | -<br>-<br>-       | 3.5<br>7.0<br>11 | 2.75<br>5.50<br>8.25 | -<br>-<br>-       | 3.5<br>7.0<br>11 | -<br>-<br>-       | V  |
| Input Leakage Current    | I <sub>in</sub> | 15              | V <sub>in</sub> = 0 or V <sub>DD</sub>                     | -                | ±0.1              | -                | ±0.00001             | ±0.1              | -                | 1.0               | μA |
| Input Capacitance        | C <sub>in</sub> | -               |  | -                | -                 | -                | 5.0                  | 7.5               | -                | -                 | pF |

### SWITCHES IN/OUT AND COMMONS OUT/IN — X, Y, Z (Voltages Referenced to V<sub>EE</sub>)

|   |                      |                 |   |             |                   |             |                  |                    |             |                    |                 |
|---|----------------------|-----------------|---|-------------|-------------------|-------------|------------------|--------------------|-------------|--------------------|-----------------|
| Recommended Peak-to-Peak Voltage Into or Out of the Switch                  | V <sub>I/O</sub>     | -               | Channel On or Off   | 0           | V <sub>DD</sub>   | 0           | -                | V <sub>DD</sub>    | 0           | V <sub>DD</sub>    | V <sub>PP</sub> |
| Recommended Static or Dynamic Voltage Across the Switch (Note 3) (Figure 5) | ΔV <sub>switch</sub> | -               | Channel On  | 0           | 600               | 0           | -                | 600                | 0           | 300                | mV              |
| Output Offset Voltage   | V <sub>OO</sub>      | -               | V <sub>in</sub> = 0 V, No Load  | -           | -                 | -           | 10               | -                  | -           | -                  | μV              |
| ON Resistance   | R <sub>on</sub>      | 5.0<br>10<br>15 | ΔV <sub>switch</sub> ≤ 500 mV<br>(Note 3) V <sub>in</sub> = V <sub>IL</sub> or V <sub>IH</sub><br>(Control), and V <sub>in</sub> =<br>0 to V <sub>DD</sub> (Switch) | -<br>-<br>- | 800<br>400<br>220 | -<br>-<br>- | 250<br>120<br>80 | 1050<br>500<br>280 | -<br>-<br>- | 1200<br>520<br>300 | Ω               |
| ΔON Resistance Between Any Two Channels in the Same Package                 | ΔR <sub>on</sub>     | 5.0<br>10<br>15 |   | -<br>-<br>- | 70<br>50<br>45    | -<br>-<br>- | 25<br>10<br>10   | 70<br>50<br>45     | -<br>-<br>- | 135<br>95<br>65    | Ω               |
| Off-Channel Leakage Current (Figure 10)                                     | I <sub>off</sub>     | 15              | V <sub>in</sub> = V <sub>IL</sub> or V <sub>IH</sub><br>(Control) Channel to<br>Channel or Any One<br>Channel   | -           | ±100              | -           | ±0.05            | ±100               | -           | ±1000              | nA              |
| Capacitance, Switch I/O   | C <sub>I/O</sub>     | -               | Inhibit = V <sub>DD</sub>   | -           | -                 | -           | 10               | -                  | -           | -                  | pF              |
| Capacitance, Common O/I   | C <sub>O/I</sub>     | -               | Inhibit = V <sub>DD</sub><br>(MC14051B)<br>(MC14052B)<br>(MC14053B)   | -<br>-<br>- | -<br>-<br>-       | -<br>-<br>- | 60<br>32<br>17   | -<br>-<br>-        | -<br>-<br>- | -<br>-<br>-        | pF              |
| Capacitance, Feedthrough (Channel Off)                                      | C <sub>I/O</sub>     | -<br>-          | Pins Not Adjacent<br>Pins Adjacent  | -<br>-      | -<br>-            | -<br>-      | 0.15<br>0.47     | -<br>-             | -<br>-      | -<br>-             | pF              |

Product parametric performance is indicated in the Electrical Characteristics for the listed test conditions, unless otherwise noted. Product performance may not be indicated by the Electrical Characteristics if operated under different conditions.

2. Data labeled "Typ" is not to be used for design purposes, but is intended as an indication of the IC's potential performance.

3. For voltage drops across the switch (ΔV<sub>switch</sub>) > 600 mV (> 300 mV at high temperature), excessive V<sub>DD</sub> current may be drawn, i.e. the current out of the switch may contain both V<sub>DD</sub> and switch input components. The reliability of the device will be unaffected unless the Maximum Ratings are exceeded. (See first page of this data sheet.)

# MC14051B, MC14052B, MC14053B

## ELECTRICAL CHARACTERISTICS (Note 4) ( $C_L = 50 \text{ pF}$ , $T_A = 25^\circ\text{C}$ ) ( $V_{EE} \leq V_{SS}$ unless otherwise indicated)

| Characteristic   | Symbol                                    | $V_{DD} - V_{EE}$<br>Vdc | Typ (Note 5)<br>All Types | Max               | Unit |
|--|---|--------------------------|---------------------------|-------------------|------|
| Propagation Delay Times (Figure 6)<br>Switch Input to Switch Output ( $R_L = 1 \text{ k}\Omega$ )<br>MC14051<br>$t_{PLH}, t_{PHL} = (0.17 \text{ ns/pF}) C_L + 26.5 \text{ ns}$<br>$t_{PLH}, t_{PHL} = (0.08 \text{ ns/pF}) C_L + 11 \text{ ns}$<br>$t_{PLH}, t_{PHL} = (0.06 \text{ ns/pF}) C_L + 9.0 \text{ ns}$<br>MC14052<br>$t_{PLH}, t_{PHL} = (0.17 \text{ ns/pF}) C_L + 21.5 \text{ ns}$<br>$t_{PLH}, t_{PHL} = (0.08 \text{ ns/pF}) C_L + 8.0 \text{ ns}$<br>$t_{PLH}, t_{PHL} = (0.06 \text{ ns/pF}) C_L + 7.0 \text{ ns}$<br>MC14053<br>$t_{PLH}, t_{PHL} = (0.17 \text{ ns/pF}) C_L + 16.5 \text{ ns}$<br>$t_{PLH}, t_{PHL} = (0.08 \text{ ns/pF}) C_L + 4.0 \text{ ns}$<br>$t_{PLH}, t_{PHL} = (0.06 \text{ ns/pF}) C_L + 3.0 \text{ ns}$ | $t_{PLH}, t_{PHL}$                        | 5.0<br>10<br>15          | 35<br>15<br>12            | 90<br>40<br>30    | ns   |
| Inhibit to Output ( $R_L = 10 \text{ k}\Omega$ , $V_{EE} = V_{SS}$ )<br>Output "1" or "0" to High Impedance, or<br>High Impedance to "1" or "0" Level<br>MC14051B  | $t_{PHZ}, t_{PLZ},$<br>$t_{PZH}, t_{PZL}$ | 5.0<br>10<br>15          | 350<br>170<br>140         | 700<br>340<br>280 | ns   |
| MC14052B   |   | 5.0<br>10<br>15          | 300<br>155<br>125         | 600<br>310<br>250 | ns   |
| MC14053B   |   | 5.0<br>10<br>15          | 275<br>140<br>110         | 550<br>280<br>220 | ns   |
| Control Input to Output ( $R_L = 1 \text{ k}\Omega$ , $V_{EE} = V_{SS}$ )<br>MC14051B  | $t_{PLH}, t_{PHL}$                        | 5.0<br>10<br>15          | 360<br>160<br>120         | 720<br>320<br>240 | ns   |
| MC14052B   |   | 5.0<br>10<br>15          | 325<br>130<br>90          | 650<br>260<br>180 | ns   |
| MC14053B   |   | 5.0<br>10<br>15          | 300<br>120<br>80          | 600<br>240<br>160 | ns   |
| Second Harmonic Distortion<br>( $R_L = 10 \text{ k}\Omega$ , $f = 1 \text{ kHz}$ ) $V_{in} = 5 \text{ V}_{PP}$   | –   | 10                       | 0.07                      | –                 | %    |
| Bandwidth (Figure 7)<br>( $R_L = 50 \Omega$ , $V_{in} = 1/2 (V_{DD} - V_{EE})$ p-p, $C_L = 50 \text{ pF}$<br>$20 \text{ Log} (V_{out}/V_{in}) = -3 \text{ dB}$ )   | BW  | 10                       | 17                        | –                 | MHz  |
| Off Channel Feedthrough Attenuation (Figure 7)<br>$R_L = 1 \text{ k}\Omega$ , $V_{in} = 1/2 (V_{DD} - V_{EE})$ p-p<br>$f_{in} = 4.5 \text{ MHz}$ — MC14051B<br>$f_{in} = 30 \text{ MHz}$ — MC14052B<br>$f_{in} = 55 \text{ MHz}$ — MC14053B  | –   | 10                       | -50                       | –                 | dB   |
| Channel Separation (Figure 8)<br>( $R_L = 1 \text{ k}\Omega$ , $V_{in} = 1/2 (V_{DD} - V_{EE})$ p-p,<br>$f_{in} = 3.0 \text{ MHz}$ )   | –   | 10                       | -50                       | –                 | dB   |
| Crosstalk, Control Input to Common O/I (Figure 9)<br>( $R_1 = 1 \text{ k}\Omega$ , $R_L = 10 \text{ k}\Omega$<br>Control $t_{TLH} = t_{THL} = 20 \text{ ns}$ , Inhibit = $V_{SS}$ )  | –   | 10                       | 75                        | –                 | mV   |

Product parametric performance is indicated in the Electrical Characteristics for the listed test conditions, unless otherwise noted. Product performance may not be indicated by the Electrical Characteristics if operated under different conditions.

4. The formulas given are for the typical characteristics only at  $25^\circ\text{C}$ .

5. Data labelled "Typ" is not to be used for design purposes but is intended as an indication of the IC's potential performance.

# MC14051B, MC14052B, MC14053B



Figure 1. Switch Circuit Schematic

## TRUTH TABLE

| Control Inputs |        |     | ON Switches |          |          |
|----------------|--------|-----|-------------|----------|----------|
| Inhibit        | Select |     | MC14051B    | MC14052B | MC14053B |
|                | C*     | B A |             |          |          |
| 0              | 0      | 0 0 | X0          | Y0 X0    | Z0 Y0 X0 |
| 0              | 0      | 0 1 | X1          | Y1 X1    | Z0 Y0 X1 |
| 0              | 0      | 1 0 | X2          | Y2 X2    | Z0 Y1 X0 |
| 0              | 0      | 1 1 | X3          | Y3 X3    | Z0 Y1 X1 |
| 0              | 1      | 0 0 | X4          |          | Z1 Y0 X0 |
| 0              | 1      | 0 1 | X5          |          | Z1 Y0 X1 |
| 0              | 1      | 1 0 | X6          |          | Z1 Y1 X0 |
| 0              | 1      | 1 1 | X7          |          | Z1 Y1 X1 |
| 1              | x      | x x | None        | None     | None     |

\*Not applicable for MC14052  
x = Don't Care

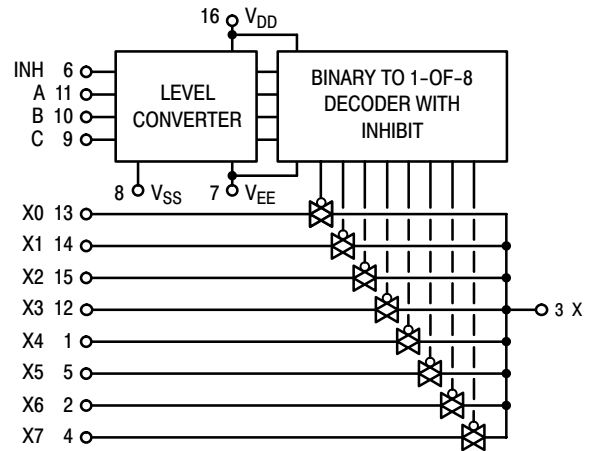


Figure 2. MC14051B Functional Diagram



Figure 3. MC14052B Functional Diagram



Figure 4. MC14053B Functional Diagram

TEST CIRCUITS



Figure 5.  $\Delta V$  Across Switch



Figure 6. Propagation Delay Times, Control and Inhibit to Output

A, B, and C inputs used to turn ON or OFF the switch under test.

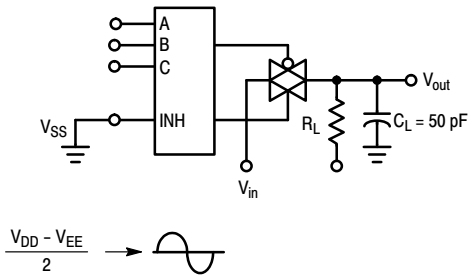


Figure 7. Bandwidth and Off-Channel Feedthrough Attenuation

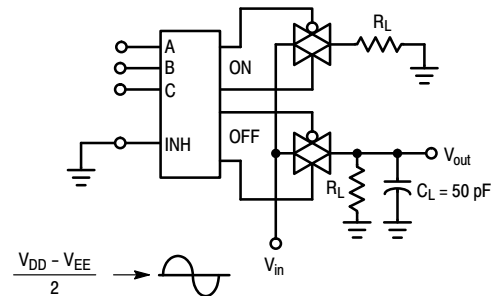


Figure 8. Channel Separation (Adjacent Channels Used For Setup)

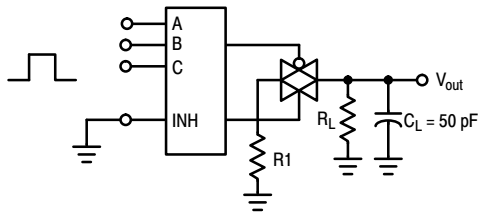


Figure 9. Crosstalk, Control Input to Common O/I

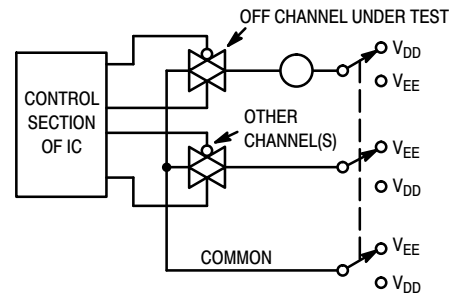


Figure 10. Off Channel Leakage

NOTE: See also Figures 7 and 8 in the MC14016B data sheet.

# MC14051B, MC14052B, MC14053B



Figure 11. Channel Resistance ( $R_{ON}$ ) Test Circuit

## TYPICAL RESISTANCE CHARACTERISTICS

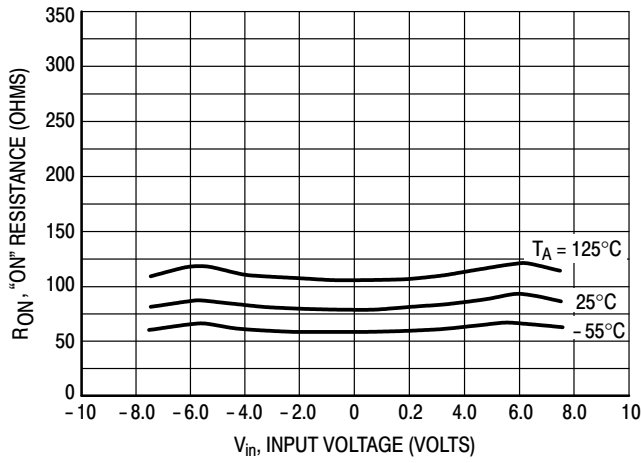


Figure 12.  $V_{DD} = 7.5\text{ V}$ ,  $V_{EE} = -7.5\text{ V}$

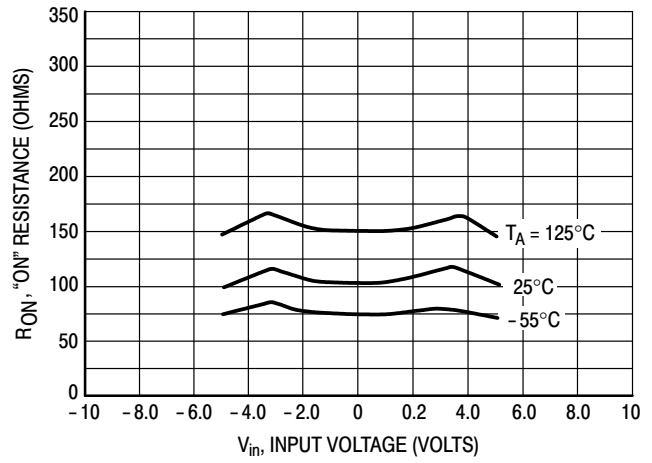


Figure 13.  $V_{DD} = 5.0\text{ V}$ ,  $V_{EE} = -5.0\text{ V}$



Figure 14.  $V_{DD} = 2.5\text{ V}$ ,  $V_{EE} = -2.5\text{ V}$

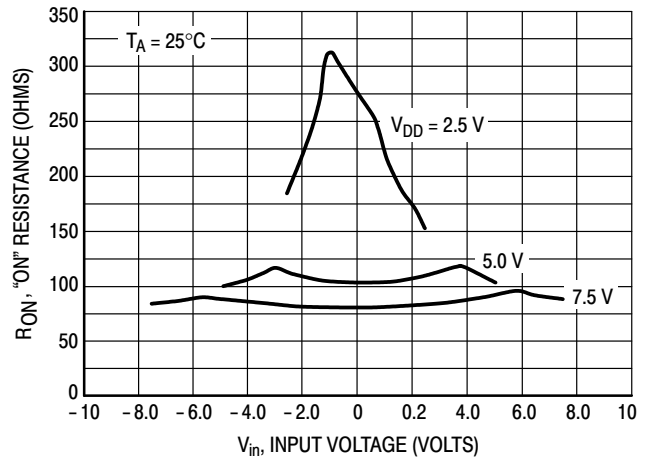


Figure 15. Comparison at  $25^\circ\text{C}$ ,  $V_{DD} = -V_{EE}$

APPLICATIONS INFORMATION

Figure A illustrates use of the on-chip level converter detailed in Figures 2, 3, and 4. The 0-to-5 V Digital Control signal is used to directly control a 9 V<sub>p-p</sub> analog signal.

The digital control logic levels are determined by V<sub>DD</sub> and V<sub>SS</sub>. The V<sub>DD</sub> voltage is the logic high voltage; the V<sub>SS</sub> voltage is logic low. For the example, V<sub>DD</sub> = +5 V = logic high at the control inputs; V<sub>SS</sub> = GND = 0 V = logic low.

The maximum analog signal level is determined by V<sub>DD</sub> and V<sub>EE</sub>. The V<sub>DD</sub> voltage determines the maximum recommended peak above V<sub>SS</sub>. The V<sub>EE</sub> voltage determines the maximum swing below V<sub>SS</sub>. For the example, V<sub>DD</sub> - V<sub>SS</sub> = 5 V maximum swing above V<sub>SS</sub>; V<sub>SS</sub> - V<sub>EE</sub> = 5 V maximum swing below V<sub>SS</sub>. The example shows a ±4.5 V signal which allows a 1/2 volt margin at each

peak. If voltage transients above V<sub>DD</sub> and/or below V<sub>EE</sub> are anticipated on the analog channels, external diodes (D<sub>x</sub>) are recommended as shown in Figure B. These diodes should be small signal types able to absorb the maximum anticipated current surges during clipping.

The *absolute* maximum potential difference between V<sub>DD</sub> and V<sub>EE</sub> is 18.0 V. Most parameters are specified up to 15 V which is the *recommended* maximum difference between V<sub>DD</sub> and V<sub>EE</sub>.

Balanced supplies are not required. However, V<sub>SS</sub> must be greater than or equal to V<sub>EE</sub>. For example, V<sub>DD</sub> = +10 V, V<sub>SS</sub> = +5 V, and V<sub>EE</sub> = -3 V is acceptable. See the Table below.



Figure A. Application Example

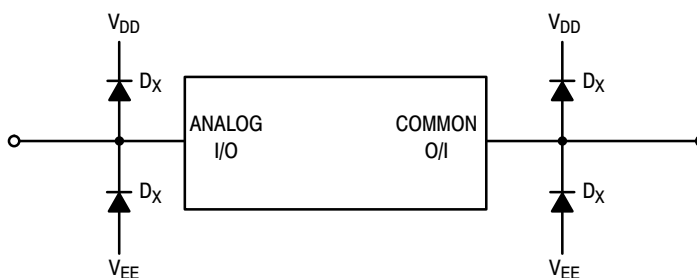


Figure B. External Germanium or Schottky Clipping Diodes

POSSIBLE SUPPLY CONNECTIONS

| V <sub>DD</sub><br>In Volts | V <sub>SS</sub><br>In Volts | V <sub>EE</sub><br>In Volts | Control Inputs<br>Logic High/Logic Low<br>In Volts | Maximum Analog Signal Range<br>In Volts |
|-----------------------------|-----------------------------|-----------------------------|--|---|
| +8                          | 0                           | -8                          | +8/0   | +8 to -8 = 16 V <sub>p-p</sub>          |
| +5                          | 0                           | -12                         | +5/0   | +5 to -12 = 17 V <sub>p-p</sub>         |
| +5                          | 0                           | 0                           | +5/0   | +5 to 0 = 5 V <sub>p-p</sub>            |
| +5                          | 0                           | -5                          | +5/0   | +5 to -5 = 10 V <sub>p-p</sub>          |
| +10                         | +5                          | -5                          | +10/+5   | +10 to -5 = 15 V <sub>p-p</sub>         |

## MC14051B, MC14052B, MC14053B

### ORDERING INFORMATION

| Device          | Package               | Shipping†          |
|-----------------|-----------------------|--------------------|
| MC14051BDG      | SOIC-16<br>(Pb-Free)  | 48 Units / Rail    |
| NLV14051BDG*    | SOIC-16<br>(Pb-Free)  | 48 Units / Rail    |
| MC14051BDR2G    | SOIC-16<br>(Pb-Free)  | 2500 / Tape & Reel |
| NLV14051BDR2G*  | SOIC-16<br>(Pb-Free)  | 2500 / Tape & Reel |
| MC14051BDTR2G   | TSSOP-16<br>(Pb-Free) | 2500 / Tape & Reel |
| NLV14051BDTR2G* | TSSOP-16<br>(Pb-Free) | 2500 / Tape & Reel |

|                 |                       |                    |
|-----------------|-----------------------|--------------------|
| MC14052BDG      | SOIC-16<br>(Pb-Free)  | 48 Units / Rail    |
| NLV14052BDG*    | SOIC-16<br>(Pb-Free)  | 48 Units / Rail    |
| MC14052BDR2G    | SOIC-16<br>(Pb-Free)  | 2500 / Tape & Reel |
| NLV14052BDR2G*  | SOIC-16<br>(Pb-Free)  | 2500 / Tape & Reel |
| MC14052BDTR2G   | TSSOP-16<br>(Pb-Free) | 2500 / Tape & Reel |
| NLV14052BDTR2G* | TSSOP-16<br>(Pb-Free) | 2500 / Tape & Reel |

|                 |                       |                    |
|-----------------|-----------------------|--------------------|
| MC14053BDG      | SOIC-16<br>(Pb-Free)  | 48 Units / Rail    |
| NLV14053BDG*    | SOIC-16<br>(Pb-Free)  | 48 Units / Rail    |
| MC14053BDR2G    | SOIC-16<br>(Pb-Free)  | 2500 / Tape & Reel |
| NLV14053BDR2G*  | SOIC-16<br>(Pb-Free)  | 2500 / Tape & Reel |
| MC14053BDTR2G   | TSSOP-16<br>(Pb-Free) | 2500 / Tape & Reel |
| NLV14053BDTR2G* | TSSOP-16<br>(Pb-Free) | 2500 / Tape & Reel |

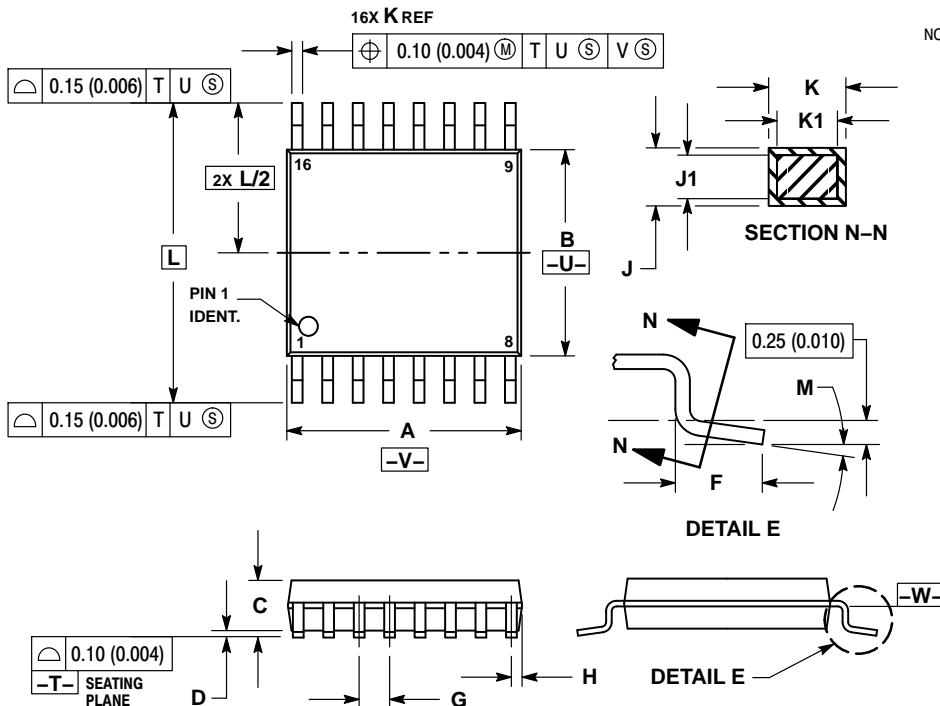
†For information on tape and reel specifications, including part orientation and tape sizes, please refer to our Tape and Reel Packaging Specifications Brochure, BRD8011/D.

\*NLV Prefix for Automotive and Other Applications Requiring Unique Site and Control Change Requirements; AEC-Q100 Qualified and PPAP Capable.

# MC14051B, MC14052B, MC14053B

## PACKAGE DIMENSIONS

TSSOP-16  
DT SUFFIX  
CASE 948F  
ISSUE B

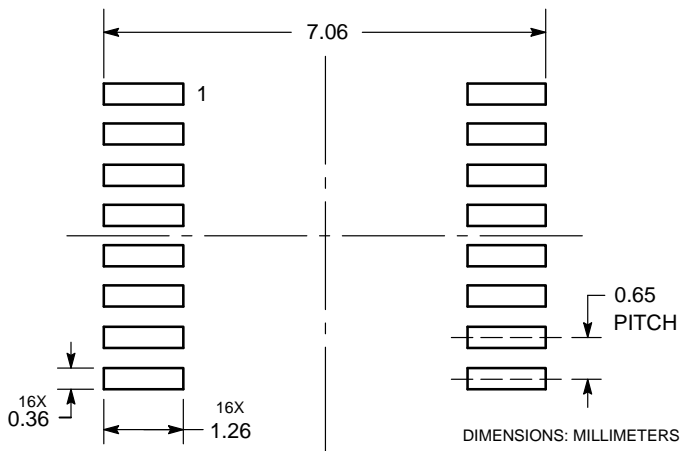


NOTES:

1. DIMENSIONING AND TOLERANCING PER ANSI Y14.5M, 1982.
2. CONTROLLING DIMENSION: MILLIMETER.
3. DIMENSION A DOES NOT INCLUDE MOLD FLASH, PROTRUSIONS OR GATE BURRS. MOLD FLASH OR GATE BURRS SHALL NOT EXCEED 0.15 (0.006) PER SIDE.
4. DIMENSION B DOES NOT INCLUDE INTERLEAD FLASH OR PROTRUSION. INTERLEAD FLASH OR PROTRUSION SHALL NOT EXCEED 0.25 (0.010) PER SIDE.
5. DIMENSION K DOES NOT INCLUDE DAMBAR PROTRUSION. ALLOWABLE DAMBAR PROTRUSION SHALL BE 0.08 (0.003) TOTAL IN EXCESS OF THE K DIMENSION AT MAXIMUM MATERIAL CONDITION.
6. TERMINAL NUMBERS ARE SHOWN FOR REFERENCE ONLY.
7. DIMENSION A AND B ARE TO BE DETERMINED AT DATUM PLANE -W-.

| DIM | MILLIMETERS |      | INCHES    |       |
|-----|-------------|------|-----------|-------|
|     | MIN         | MAX  | MIN       | MAX   |
| A   | 4.90        | 5.10 | 0.193     | 0.200 |
| B   | 4.30        | 4.50 | 0.169     | 0.177 |
| C   | ---         | 1.20 | ---       | 0.047 |
| D   | 0.05        | 0.15 | 0.002     | 0.006 |
| F   | 0.50        | 0.75 | 0.020     | 0.030 |
| G   | 0.65 BSC    |      | 0.026 BSC |       |
| H   | 0.18        | 0.28 | 0.007     | 0.011 |
| J   | 0.09        | 0.20 | 0.004     | 0.008 |
| J1  | 0.09        | 0.16 | 0.004     | 0.006 |
| K   | 0.19        | 0.30 | 0.007     | 0.012 |
| K1  | 0.19        | 0.25 | 0.007     | 0.010 |
| L   | 6.40 BSC    |      | 0.252 BSC |       |
| M   | 0°          | 8°   | 0°        | 8°    |

### SOLDERING FOOTPRINT\*



\*For additional information on our Pb-Free strategy and soldering details, please download the ON Semiconductor Soldering and Mounting Techniques Reference Manual, SOLDERRM/D.

# MC14051B, MC14052B, MC14053B

## PACKAGE DIMENSIONS

SOIC-16  
D SUFFIX  
CASE 751B-05  
ISSUE K



NOTES:

1. DIMENSIONING AND TOLERANCING PER ANSI Y14.5M, 1982.
2. CONTROLLING DIMENSION: MILLIMETER.
3. DIMENSIONS A AND B DO NOT INCLUDE MOLD PROTRUSION.
4. MAXIMUM MOLD PROTRUSION 0.15 (0.006) PER SIDE.
5. DIMENSION D DOES NOT INCLUDE DAMBAR PROTRUSION. ALLOWABLE DAMBAR PROTRUSION SHALL BE 0.127 (0.005) TOTAL IN EXCESS OF THE D DIMENSION AT MAXIMUM MATERIAL CONDITION.

| DIM | MILLIMETERS |       | INCHES    |       |
|-----|-------------|-------|-----------|-------|
|     | MIN         | MAX   | MIN       | MAX   |
| A   | 9.80        | 10.00 | 0.386     | 0.393 |
| B   | 3.80        | 4.00  | 0.150     | 0.157 |
| C   | 1.35        | 1.75  | 0.054     | 0.068 |
| D   | 0.35        | 0.49  | 0.014     | 0.019 |
| F   | 0.40        | 1.25  | 0.016     | 0.049 |
| G   | 1.27 BSC    |       | 0.050 BSC |       |
| J   | 0.19        | 0.25  | 0.008     | 0.009 |
| K   | 0.10        | 0.25  | 0.004     | 0.009 |
| M   | 0°          | 7°    | 0°        | 7°    |
| P   | 5.80        | 6.20  | 0.229     | 0.244 |
| R   | 0.25        | 0.50  | 0.010     | 0.019 |

### SOLDERING FOOTPRINT\*



\*For additional information on our Pb-Free strategy and soldering details, please download the ON Semiconductor Soldering and Mounting Techniques Reference Manual, SOLDERRM/D.

ON Semiconductor and the are registered trademarks of Semiconductor Components Industries, LLC (SCILLC) or its subsidiaries in the United States and/or other countries. SCILLC owns the rights to a number of patents, trademarks, copyrights, trade secrets, and other intellectual property. A listing of SCILLC's product/patent coverage may be accessed at [www.onsemi.com/site/pdf/Patent-Marking.pdf](http://www.onsemi.com/site/pdf/Patent-Marking.pdf). SCILLC reserves the right to make changes without further notice to any products herein. SCILLC makes no warranty, representation or guarantee regarding the suitability of its products for any particular purpose, nor does SCILLC assume any liability arising out of the application or use of any product or circuit, and specifically disclaims any and all liability, including without limitation special, consequential or incidental damages. "Typical" parameters which may be provided in SCILLC data sheets and/or specifications can and do vary in different applications and actual performance may vary over time. All operating parameters, including "Typicals" must be validated for each customer application by customer's technical experts. SCILLC does not convey any license under its patent rights nor the rights of others. SCILLC products are not designed, intended, or authorized for use as components in systems intended for surgical implant into the body, or other applications intended to support or sustain life, or for any other application in which the failure of the SCILLC product could create a situation where personal injury or death may occur. Should Buyer purchase or use SCILLC products for any such unintended or unauthorized application, Buyer shall indemnify and hold SCILLC and its officers, employees, subsidiaries, affiliates, and distributors harmless against all claims, costs, damages, and expenses, and reasonable attorney fees arising out of, directly or indirectly, any claim of personal injury or death associated with such unintended or unauthorized use, even if such claim alleges that SCILLC was negligent regarding the design or manufacture of the part. SCILLC is an Equal Opportunity/Affirmative Action Employer. This literature is subject to all applicable copyright laws and is not for resale in any manner.

### PUBLICATION ORDERING INFORMATION

**LITERATURE FULFILLMENT:**  
Literature Distribution Center for ON Semiconductor  
P.O. Box 5163, Denver, Colorado 80217 USA  
Phone: 303-675-2175 or 800-344-3860 Toll Free USA/Canada  
Fax: 303-675-2176 or 800-344-3867 Toll Free USA/Canada  
Email: [orderlit@onsemi.com](mailto:orderlit@onsemi.com)

**N. American Technical Support:** 800-282-9855 Toll Free  
USA/Canada  
**Europe, Middle East and Africa Technical Support:**  
Phone: 421 33 790 2910  
**Japan Customer Focus Center**  
Phone: 81-3-5817-1050

**ON Semiconductor Website:** [www.onsemi.com](http://www.onsemi.com)  
**Order Literature:** <http://www.onsemi.com/orderlit>  
For additional information, please contact your local Sales Representative

## Looking for pricing, stock, or lifecycle information?

Click below to explore more details on WIN SOURCE:

 [View MC14053BFEL on WIN SOURCE](#)

 [ON Semiconductor](#) Information

## Optimize Your Supply Chain with WIN SOURCE Solutions

-  Global Sourcing Solution
-  Obsolete Management
-  Cost Control Management
-  Shortage Management
-  Alternative Solution
-  Excess Inventory Management