



**THE DATASHEET OF
MC56F8027VLHR**



56F8037/56F8027

Data Sheet

Technical Data

56F8000
16-bit Digital Signal Controllers

MC56F8037
Rev. 8
04/2012

freescale.com

Document Revision History

| Version History | Description of Change |
|-----------------|--|
| Rev. 0 | Initial public release. |
| Rev. 1 | <ul style="list-style-type: none"> • In Table 10-4, added an entry for flash data retention with less than 100 program/erase cycles (minimum 20 years). • In Table 10-6, changed the device clock speed in STOP mode from 8MHz to 4MHz. • In Table 10-12, changed the typical relaxation oscillator output frequency in Standby mode from 400kHz to 200kHz. • Changed input propagation delay values in Table 10-21 as follows: <div style="margin-left: 40px;">Old values: 1 μs typical, 2 μs maximum</div> <div style="margin-left: 40px;">New values: 35 ns typical, 45 ns maximum</div> |
| Rev. 2 | In Table 10-20, changed the maximum ADC internal clock frequency from 8MHz to 5.33MHz. |
| Rev. 3 | <ul style="list-style-type: none"> • Added the following note to the description of the TMS signal in Table 2-3: Note: Always tie the TMS pin to V_{DD} through a 2.2K resistor. • Changed the description of the GPIOC4 signal in Table 2-3 (was "...the signal goes to both the ANA0 and CMPA13", is "...the signal goes to both ANB0 and CMPB13"). |
| Rev. 4 | <ul style="list-style-type: none"> • Changed the ITCN_BASE address In Table 5-3 (was \$00 F060, is \$00 F0E0). • In Figure 5-10, moved the footnote marker (superscript 1) from bit 4 to "RESET". • Changed the STANDBY > STOP I_{DD} values in Table 10-6 as follows: <div style="margin-left: 40px;">Typical: was 290μA, is 540μA</div> <div style="margin-left: 40px;">Maximum: was 390μA, is 650μA</div> • Changed the POWERDOWN I_{DD} values in Table 10-6 as follows: <div style="margin-left: 40px;">Typical: was 190μA, is 440μA</div> <div style="margin-left: 40px;">Maximum: was 250μA, is 550μA</div> • Changed footnote 1 in Table 10-12 (was "Output frequency after application of 8MHz trim value, at 125°C.", is "Output frequency after application of factory trim"). • Deleted the text "at 125°C" from Figure 10-5. • Changed the maximum input offset voltage in Table 10-21 (was +/- 20 mV, is \pm35 mV). |
| Rev. 5 | <ul style="list-style-type: none"> • In Table 2-3, changed V_{CAP} value from 4.7μF to 2.2μF. • Revised Section 7, Security Features. • Added information for 56F8027 device throughout document. • Fixed miscellaneous typos. |

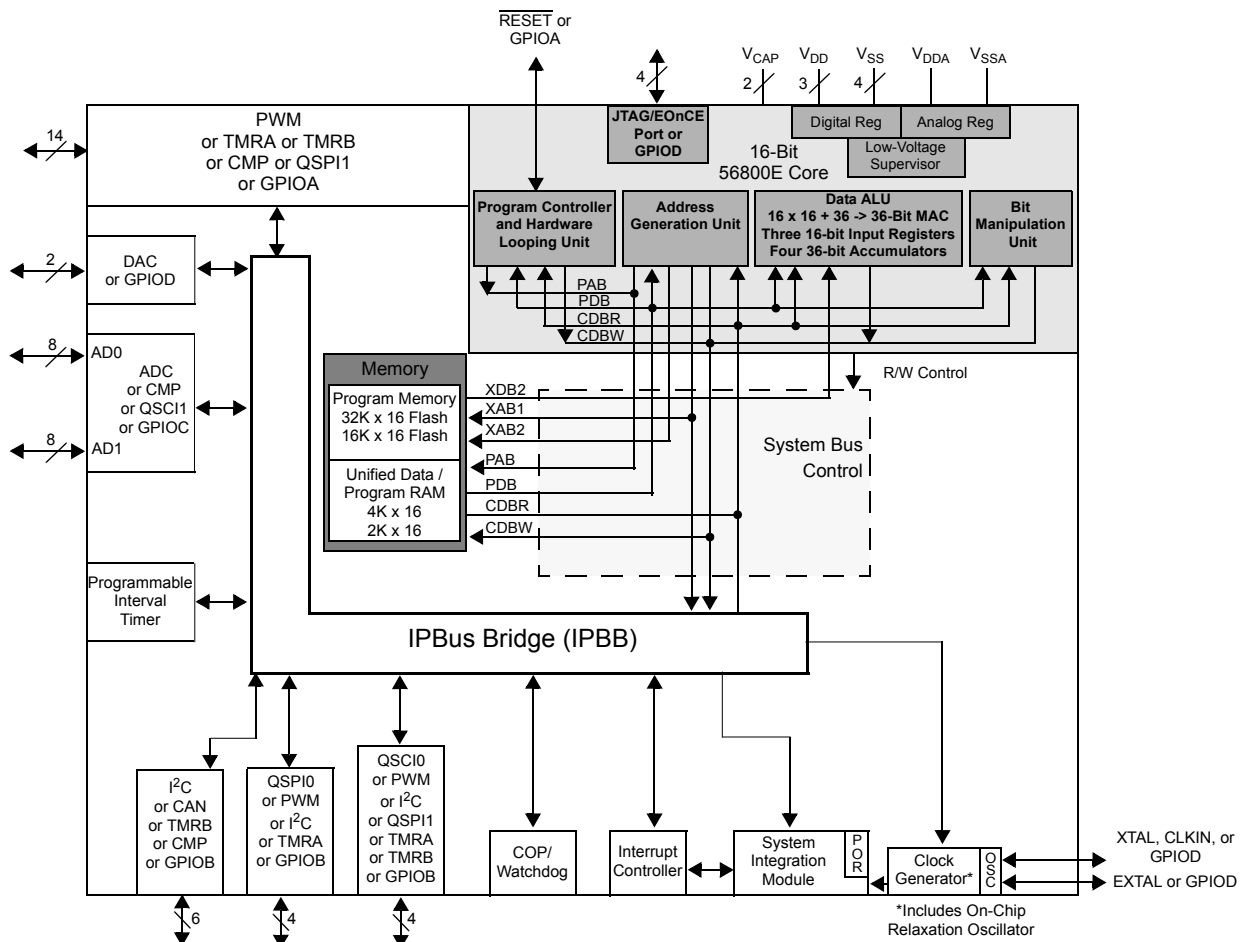
Document Revision History

| Version History | Description of Change |
|-----------------|---|
| Rev. 6 | <p>In the table Recommended Operating Conditions, removed the line “XTAL not driven by an external clock“ from the characteristic:</p> <p>“Oscillator Input Voltage High XTAL not driven by an external clock XTAL driven by an external clock source”</p> <p>In the table 56F8037/56F8027 Ordering Information, changed “MC56F8027VLD“ to “MC56F8027VLH“</p> <p>Removed “Preliminary” from data sheet</p> <p>In the Select Peripheral Input Source for PWM2/PWM3 Pair Source Bits, fixed typos</p> <p>Added new part number to ordering information: MC56F8027MLH</p> |
| Rev. 7 | <p>Added MC56F8037MLH to the part ordering table.</p> |
| Rev. 8 | <ul style="list-style-type: none"> • In section Section 5.6.18, changed bit15 from “PENDING” to reserved. • Added section Section 5.6.18.2 to describe the reserved bit. |

Please see <http://www.freescale.com> for the most current data sheet revision.

56F8037/56F8027 General Description

- Up to 32 MIPS at 32MHz core frequency
- DSP and MCU functionality in a unified, C-efficient architecture
- 56F8037 offers 64KB (32K x 16) Program Flash
- 56F8027 offers 32KB (16K x 16) Program Flash
- 56F8037 offers 8KB (4K x 16) Unified Data/Program RAM
- 56F8027 offers 4KB (2K x 16) Unified Data/Program RAM
- One 6-channel PWM module
- Two 8-channel 12-bit Analog-to-Digital Converters (ADCs)
- Two 12-bit Digital-to-Analog Converters (DACs)
- Two Analog Comparators
- Three Programmable Interval Timers (PITs)
- Two Queued Serial Communication Interfaces (QSCIs) with LIN slave functionality
- Two Queued Serial Peripheral Interfaces (QSPIs)
- Freescale's scalable controller area network (MSCAN) 2.0 A/B Module
- Two 16-bit Quad Timers
- One Inter-Integrated Circuit (I²C) port
- Computer Operating Properly (COP)/Watchdog
- On-Chip Relaxation Oscillator
- Integrated Power-On Reset (POR) and Low-Voltage Interrupt (LVI) module
- JTAG/Enhanced On-Chip Emulation (OnCE™) for unobtrusive, real-time debugging



56F8037/56F8027 Block Diagram

56F8037/56F8027 Data Sheet Table of Contents

| | | | |
|--|----------|---|-----|
| Part 1 Overview | 6 | 7.3 Product Analysis | 131 |
| 1.1 56F8037/56F8027 Features | 6 | Part 8 General Purpose Input/Output (GPIO) | |
| 1.2 56F8037/56F8027 Description | 8 | | |
| 1.3 Award-Winning Development Environment | 9 | 8.1 Introduction | 131 |
| 1.4 Architecture Block Diagram | 9 | 8.2 Configuration | 131 |
| 1.5 Product Documentation | 18 | 8.3 Reset Values | 135 |
| 1.6 Data Sheet Conventions | 18 | Part 9 Joint Test Action Group (JTAG) | |
| Part 2 Signal/Connection Descriptions | | | |
| 2.1 Introduction | 19 | Part 10 Specifications | |
| 2.2 56F8037/56F8027 Signal Pins | 24 | | |
| Part 3 OCCS | | 10.1 General Characteristics | 140 |
| 3.1 Overview | 40 | 10.2 DC Electrical Characteristics | 144 |
| 3.2 Features | 41 | 10.3 AC Electrical Characteristics | 147 |
| 3.3 Operating Modes | 41 | 10.4 Flash Memory Characteristics | 148 |
| 3.4 Internal Clock Source | 42 | 10.5 External Clock Operation Timing | 148 |
| 3.5 Crystal Oscillator | 42 | 10.6 Phase Locked Loop Timing | 149 |
| 3.6 Ceramic Resonator | 43 | 10.7 Relaxation Oscillator Timing | 149 |
| 3.7 External Clock Input - Crystal Oscillator Option | 43 | 10.8 Reset, Stop, Wait, Mode Select, and Interrupt Timing | 151 |
| 3.8 Alternate External Clock Input | 44 | 10.9 Serial Peripheral Interface (SPI) Timing | 152 |
| Part 4 Memory Maps | | 10.10 Quad Timer Timing | 156 |
| 4.1 Introduction | 44 | 10.11 Queued Serial Communication Interface (QSCI) Timing | 158 |
| 4.2 Interrupt Vector Table | 45 | 10.12 Freescale's Scalable Controller Area Network (MSCAN) Timing | 159 |
| 4.3 Program Map | 47 | 10.13 Inter-Integrated Circuit Interface (I2C) Timing | 159 |
| 4.4 Data Map | 48 | 10.14 JTAG Timing | 161 |
| 4.5 EOnCE Memory Map | 50 | 10.15 Analog-to-Digital Converter (ADC) Parameters | 162 |
| 4.6 Peripheral Memory-Mapped Registers | 51 | 10.16 Equivalent Circuit for ADC Inputs | 163 |
| Part 5 Interrupt Controller (ITCN) | | 10.17 Comparator (CMP) Parameters | 164 |
| 5.1 Introduction | 68 | 10.18 Digital-to-Analog Converter (DAC) Parameters | 164 |
| 5.2 Features | 68 | 10.19 Power Consumption | 166 |
| 5.3 Functional Description | 68 | Part 11 Packaging | |
| 5.4 Block Diagram | 70 | | |
| 5.5 Operating Modes | 71 | 11.1 56F8037/56F8027 Package and Pin-Out Information | 168 |
| 5.6 Register Descriptions | 71 | Part 12 Design Considerations | |
| 5.7 Resets | 92 | 12.1 Thermal Design Considerations | 171 |
| Part 6 System Integration Module (SIM) | | 12.2 Electrical Design Considerations | 172 |
| 6.1 Introduction | 93 | Part 13 Ordering Information | |
| 6.2 Features | 94 | | |
| 6.3 Register Descriptions | 95 | Part 14 Appendix | |
| 6.4 Clock Generation Overview | 124 | | |
| 6.5 Power-Saving Modes | 124 | | |
| 6.6 Resets | 126 | | |
| 6.7 Clocks | 127 | | |
| 6.8 Interrupts | 129 | | |
| Part 7 Security Features | | | |
| 7.1 Operation with Security Enabled | 129 | | |
| 7.2 Flash Access Lock and Unlock Mechanisms | 130 | | |

Part 1 Overview

1.1 56F8037/56F8027 Features

1.1.1 Digital Signal Controller Core

- Efficient 16-bit 56800E family Digital Signal Controller (DSC) engine with dual Harvard architecture
- As many as 32 Million Instructions Per Second (MIPS) at 32MHz core frequency
- Single-cycle 16 × 16-bit parallel Multiplier-Accumulator (MAC)
- Four 36-bit accumulators, including extension bits
- 32-bit arithmetic and logic multi-bit shifter
- Parallel instruction set with unique DSP addressing modes
- Hardware DO and REP loops
- Three internal address buses
- Four internal data buses
- Instruction set supports both DSP and controller functions
- Controller-style addressing modes and instructions for compact code
- Efficient C compiler and local variable support
- Software subroutine and interrupt stack with depth limited only by memory
- JTAG/Enhanced On-Chip Emulation (OnCE) for unobtrusive, processor speed-independent, real-time debugging

1.1.2 Difference Between Devices

Table 1-1 outlines the key differences between the 56F8037 and 56F8027 devices.

Table 1-1 Device Differences

| Feature | 56F8037 | 56F8027 |
|--------------------------|---------|---------|
| Program Flash | 64KB | 32KB |
| Unified Data/Program RAM | 8KB | 4KB |

1.1.3 Memory

- Dual Harvard architecture permits as many as three simultaneous accesses to program and data memory
- Flash security and protection that prevent unauthorized users from gaining access to the internal Flash
- On-chip memory
 - 64KB of Program Flash (56F8037 device)
 - 32KB of Program Flash (56F8027 device)
 - 8KB of Unified Data/Program RAM (56F8037 device)
 - 4KB of Unified Data/Program RAM (56F8027 device)
- EEPROM emulation capability using Flash

1.1.4 Peripheral Circuits for 56F8037/56F8027

- One multi-function six-output Pulse Width Modulator (PWM) module
 - Up to 96MHz PWM operating clock
 - 15 bits of resolution
 - Center-aligned and Edge-aligned PWM signal mode
 - Four programmable fault inputs with programmable digital filter
 - Double-buffered PWM registers
 - Each complementary PWM signal pair allows selection of a PWM supply source from:
 - PWM generator
 - External GPIO
 - Internal timers
 - Analog comparator outputs
 - ADC conversion result which compares with values of ADC high- and low-limit registers to set PWM output
- Two independent 12-bit Analog-to-Digital Converters (ADCs)
 - 2 x 8 channel inputs
 - Supports both simultaneous and sequential conversions
 - ADC conversions can be synchronized by both PWM and timer modules
 - Sampling rate up to 2.67MSPS
 - 16-word result buffer registers
- Two 12-bit Digital-to-Analog Converters (DACs)
 - 2 microsecond settling time when output swing from rail to rail
 - Automatic waveform generation generates square, triangle and sawtooth waveforms with programmable period, update rate, and range
- Two 16-bit multi-purpose Quad Timer modules (TMRs)
 - Up to 96MHz operating clock
 - Eight independent 16-bit counter/timers with cascading capability
 - Each timer has capture and compare capability
 - Up to 12 operating modes
- Two Queued Serial Communication Interfaces (QSCIs) with LIN Slave functionality
 - Full-duplex or single-wire operation
 - Two receiver wake-up methods:
 - Idle line
 - Address mark
 - Four-bytes-deep FIFOs are available on both transmitter and receiver
- Two Queued Serial Peripheral Interfaces (QSPIs)



- Full-duplex operation
- Master and slave modes
- Four-words-deep FIFOs available on both transmitter and receiver
- Programmable Length Transactions (2 to 16 bits)
- One Inter-Integrated Circuit (I²C) port
 - Operates up to 400kbps
 - Supports both master and slave operation
 - Supports both 10-bit address mode and broadcasting mode
- One Freescale scalable controller area network (MSCAN) module
 - Fully compliant with CAN protocol - Version 2.0 A/B
 - Supports standard and extended data frames
 - Supports data rate up to 1Mbps
 - Five receive buffers and three transmit buffers
- Three 16-bit Programmable Interval Timers (PITs)
- Two analog Comparators (CMPs)
 - Selectable input source includes external pins, DACs
 - Programmable output polarity
 - Output can drive Timer input, PWM fault input, PWM source, external pin output and trigger ADCs
 - Output falling and rising edge detection able to generate interrupts
- Computer Operating Properly (COP)/Watchdog timer capable of selecting different clock sources
- Up to 53 General-Purpose I/O (GPIO) pins with 5V tolerance
- Integrated Power-On Reset and Low-Voltage Interrupt Module
- Phase Lock Loop (PLL) to provide high-speed clock to the core and peripherals
- Clock sources:
 - On-chip relaxation oscillator
 - External clock: crystal oscillator, ceramic resonator and external clock source
- JTAG/EOnCE debug programming interface for real-time debugging

1.1.5 Energy Information

- Fabricated in high-density CMOS with 5V tolerance
- On-chip regulators for digital and analog circuitry to lower cost and reduce noise
- Wait and Stop modes available
- ADC smart power management
- Each peripheral can be individually disabled to save power

1.2 56F8037/56F8027 Description

The 56F8037/56F8027 is a member of the 56800E core-based family of Digital Signal Controllers (DSCs). It combines, on a single chip, the processing power of a DSP and the functionality of a microcontroller with a flexible set of peripherals to create an extremely cost-effective solution. Because of its low cost,

configuration flexibility, and compact program code, the 56F8037/56F8027 is well-suited for many applications. The 56F8037/56F8027 includes many peripherals that are especially useful for industrial control, motion control, home appliances, general purpose inverters, smart sensors, fire and security systems, switched-mode power supply, power management, and medical monitoring applications.

The 56800E core is based on a dual Harvard-style architecture consisting of three execution units operating in parallel, allowing as many as six operations per instruction cycle. The MCU-style programming model and optimized instruction set allow straightforward generation of efficient, compact DSP and control code. The instruction set is also highly efficient for C compilers to enable rapid development of optimized control applications.

The 56F8037/56F8027 supports program execution from internal memories. Two data operands can be accessed from the on-chip data RAM per instruction cycle. The 56F8037/56F8027 also offers up to 53 General Purpose Input/Output (GPIO) lines, depending on peripheral configuration.

The 56F8037 Digital Signal Controller includes 64KB of Program Flash and 8KB of Unified Data/Program RAM. The 56F8027 Digital Signal Controller includes 32KB of Program Flash and 4KB of Unified Data/Program RAM. Program Flash memory can be independently bulk erased or erased in pages. Program Flash page erase size is 512 Bytes (256 Words).

A full set of programmable peripherals—PWM, ADCs, QSCIs, QSPIs, I2C, PITs, Quad Timers, DACs and analog comparators—supports various applications. Each peripheral can be independently shut down to save power. Any pin in these peripherals can also be used as General Purpose Input/Outputs (GPIOs).

1.3 Award-Winning Development Environment

Processor Expert™ (PE) provides a Rapid Application Design (RAD) tool that combines easy-to-use component-based software application creation with an expert knowledge system.

The CodeWarrior Integrated Development Environment is a sophisticated tool for code navigation, compiling, and debugging. A complete set of evaluation modules (EVMs), demonstration board kit and development system cards will support concurrent engineering. Together, PE, CodeWarrior and EVMs create a complete, scalable tools solution for easy, fast, and efficient development.

1.4 Architecture Block Diagram

The 56F8037/56F8027's architecture is shown in [Figures 1-1, 1-2, 1-3, 1-4, 1-5, 1-6, and 1-7](#). [Figure 1-1](#) illustrates how the 56800E system buses communicate with internal memories and the IPBus Bridge and the internal connections between each unit of the 56800E core. [Figure 1-2](#) shows the peripherals and control blocks connected to the IPBus Bridge. [Figures 1-3, 1-4, 1-5, 1-6 and 1-7](#) detail how the device's I/O pins are muxed. The figures do not show the on-board regulator and power and ground signals. Please see [Part 2, Signal/Connection Descriptions](#), for information about which signals are multiplexed with those of other peripherals.

1.4.1 PWM, TMR and ADC Connections

[Figure 1-6](#) shows the over-limit and under-limit connections from the ADC to the PWM and the

connections to the PWM from the TMR and GPIO. These signals can control the PWM outputs in a similar manner as the PWM generator. See the **56F802x and 56F803x Peripheral Reference Manual** for additional information.

The PWM_reload_sync output can be connected to Timer A's (TMRA) Channel 3 input; TMRA's Channels 2 and 3 outputs are connected to the ADC sync inputs. TMRA Channel 3 output is connected to SYNC0 and TMRA Channel 2 is connected to SYNC1. SYNC0 is the master ADC sync input that is used to trigger ADCA and ADCB in sequence and parallel mode. SYNC1 is used to trigger ADCB in parallel independent mode. These are controlled by bits in the SIM Control Register; see [Section 6.3.1](#).

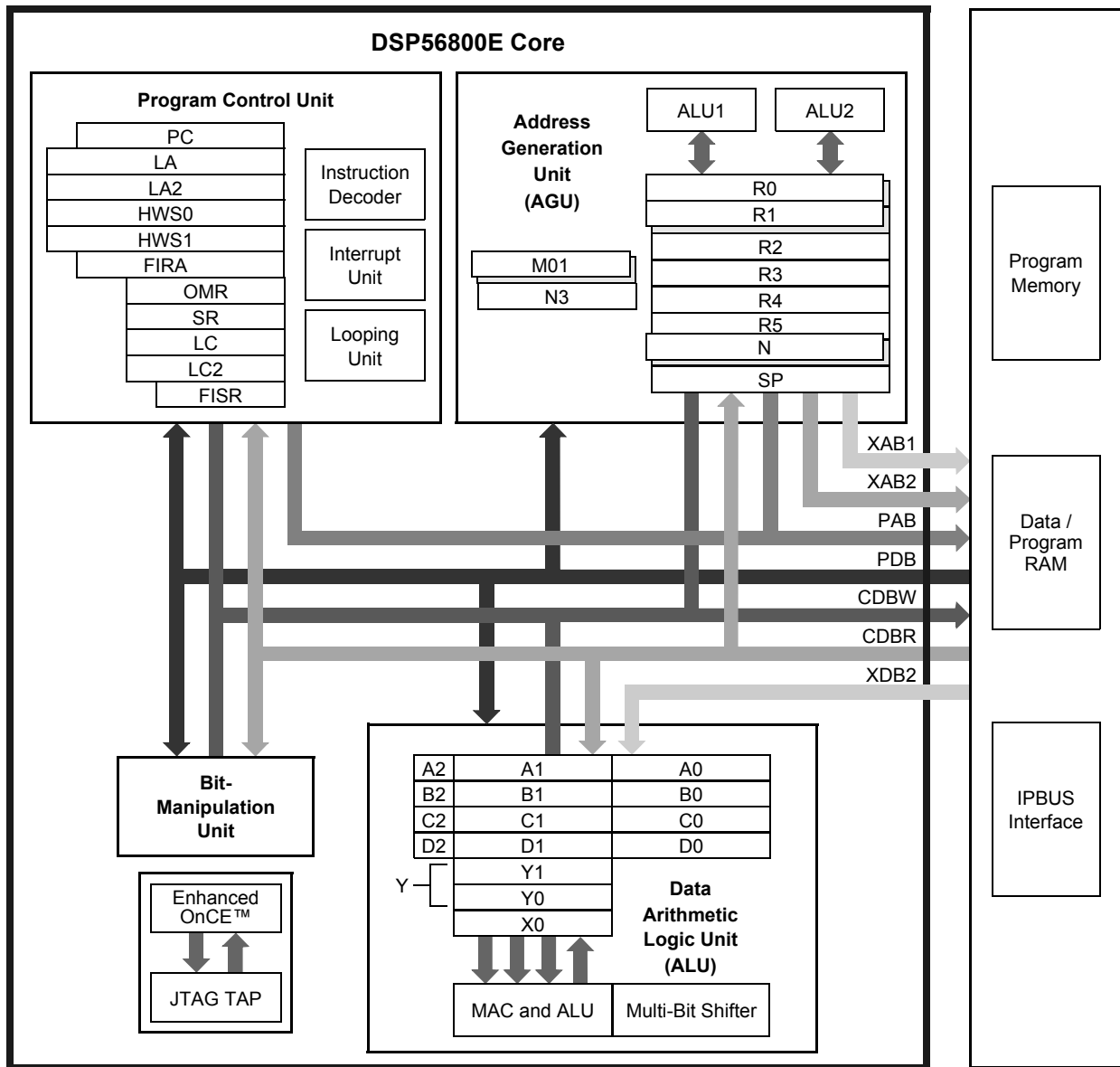
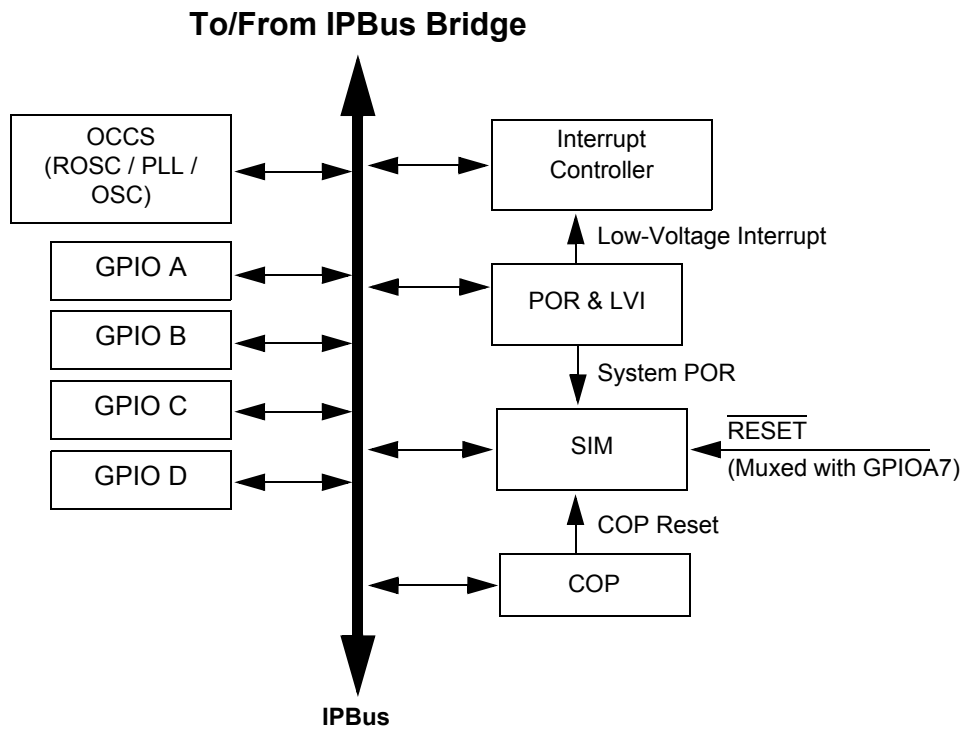


Figure 1-1 56800E Core Block Diagram



(Continues on [Figure 1-3](#))

Figure 1-2 Peripheral Subsystem

To/From IPBus Bridge

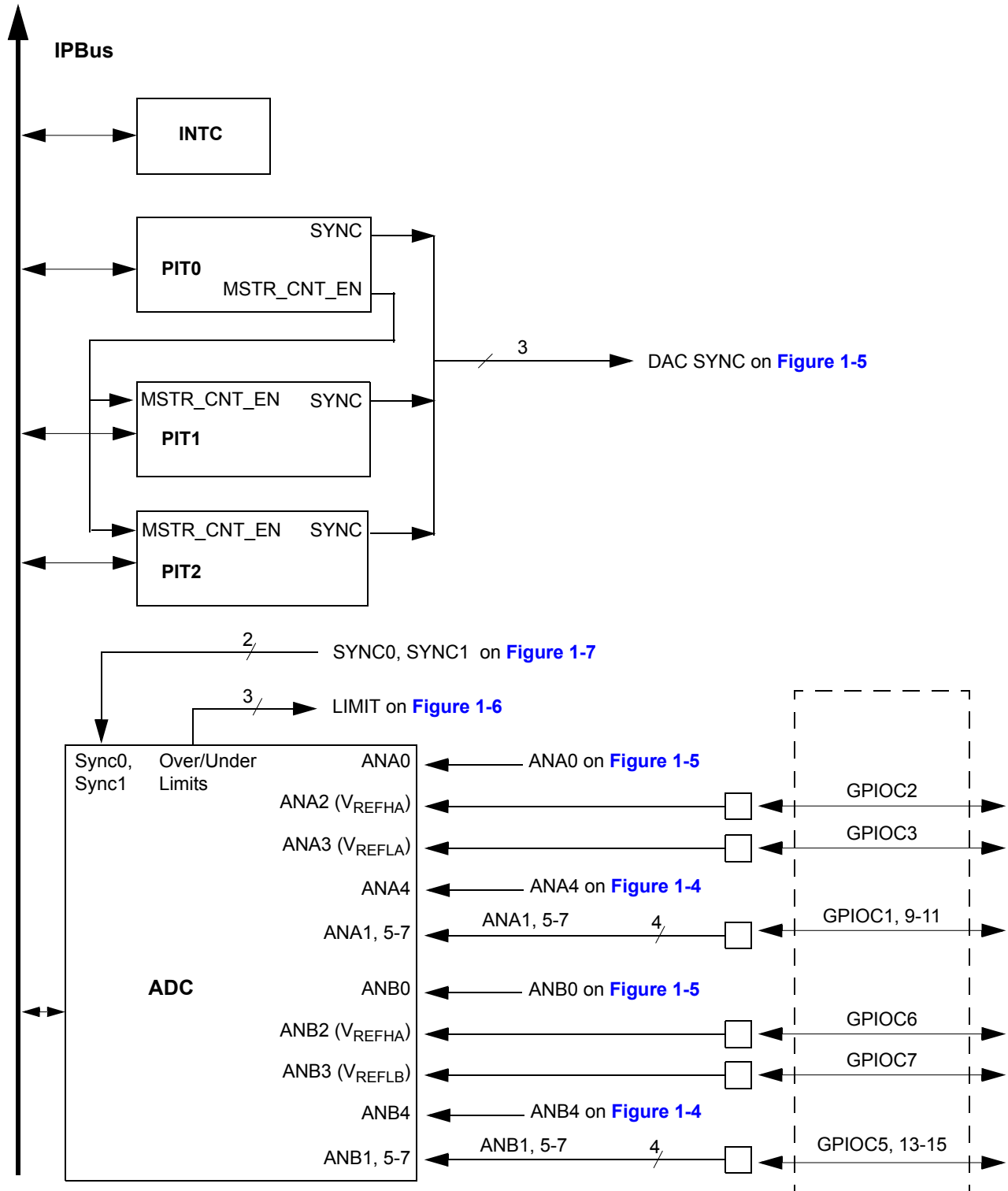


Figure 1-3 56F8037/56F8027 I/O Pin-Out Muxing (Part 1/5)

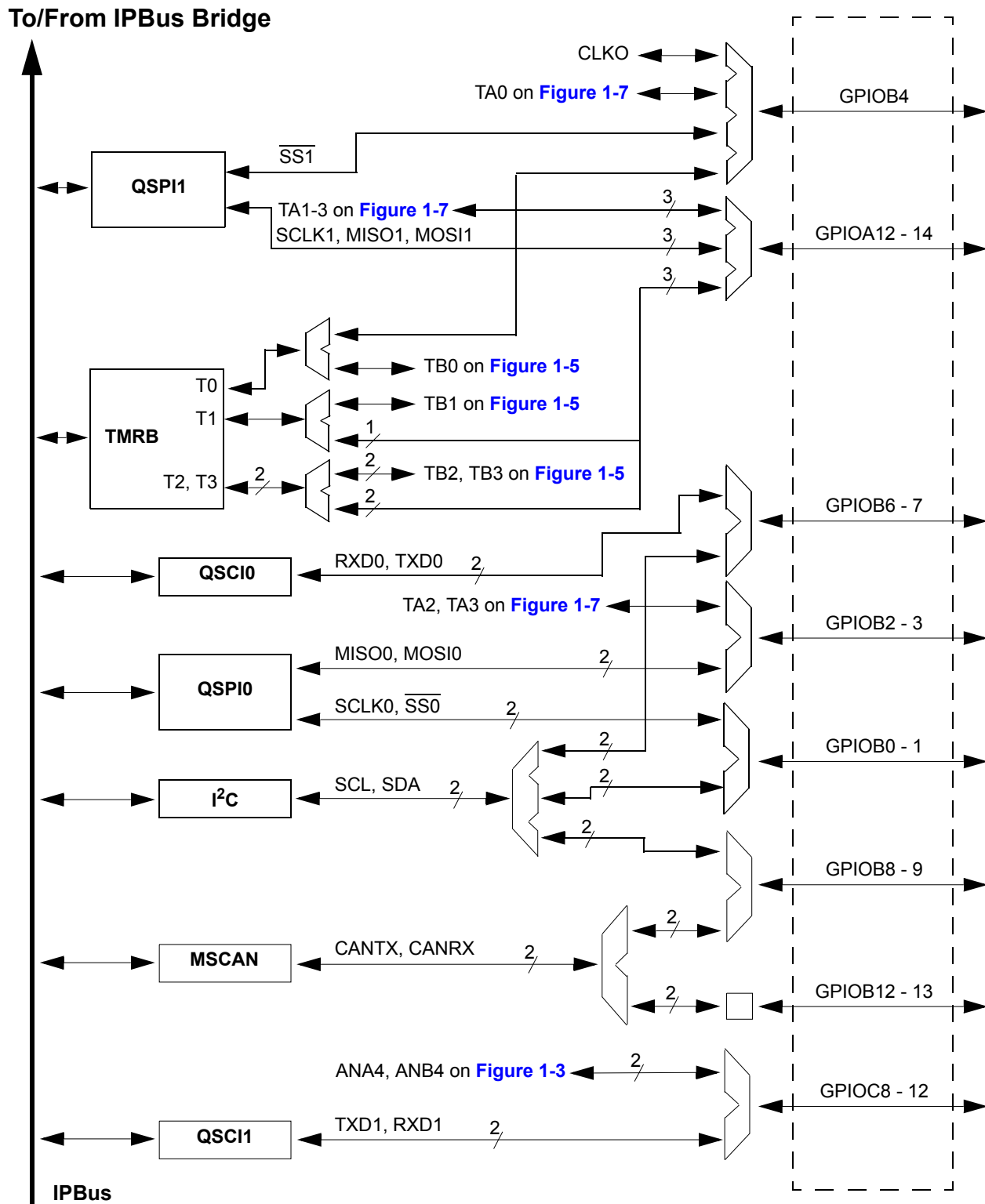


Figure 1-4 56F8037/56F8027 I/O Pin-Out Muxing (Part 2/5)

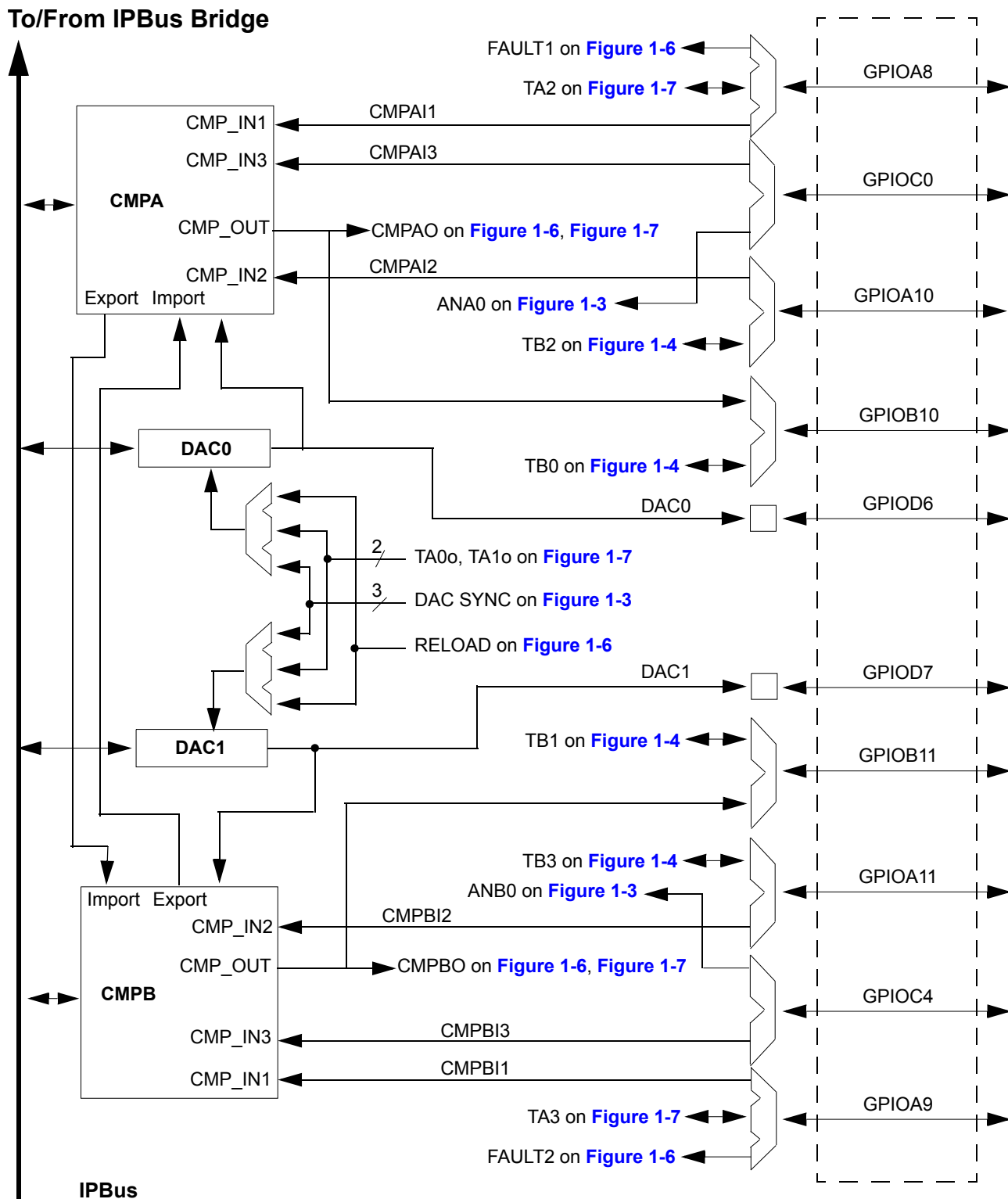


Figure 1-5 56F8037/56F8027 I/O Pin-Out Muxing (Part 3/5)

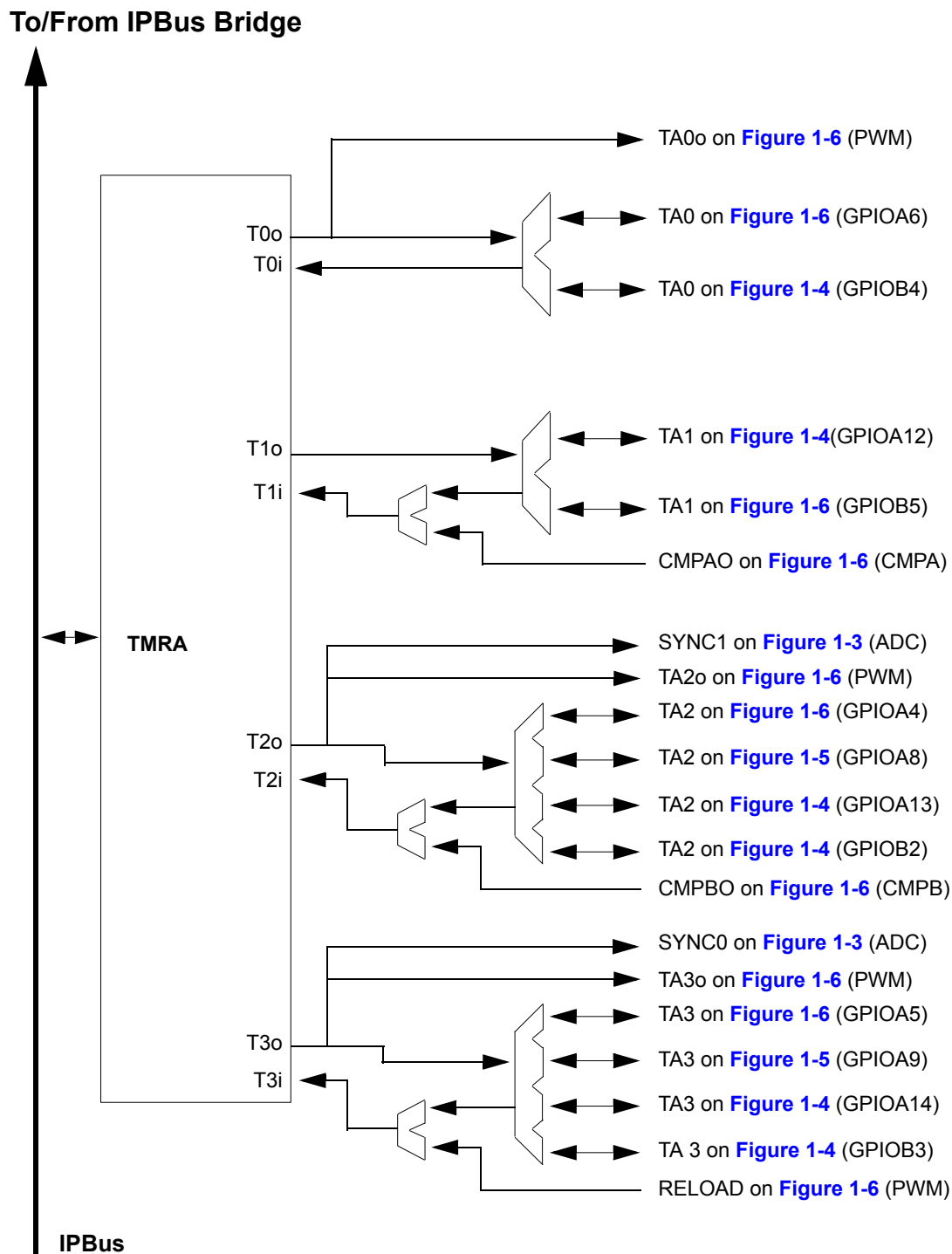


Figure 1-7 56F8037/56F8027 I/O Pin-Out Muxing (Part 5/5)

1.5 Product Documentation

The documents listed in [Table 1-2](#) are required for a complete description and proper design with the 56F8037/56F8027. Documentation is available from local Freescale distributors, Freescale Semiconductor sales offices, Freescale Literature Distribution Centers, or online at:

<http://www.freescale.com>

Table 1-2 56F8037/56F8027 Chip Documentation

| Topic | Description | Order Number |
|--|--|--------------------|
| DSP56800E Reference Manual | Detailed description of the 56800E family architecture, 16-bit Digital Signal Controller core processor, and the instruction set | DSP56800ERM |
| 56F802x and 56F803x Peripheral Reference Manual | Detailed description of peripherals of the 56F802x and 56F803x family of devices | MC56F80xxRM |
| 56F802x and 56F803x Serial Bootloader User Guide | Detailed description of the Serial Bootloader in the 56F802x and 56F803x family of devices | 56F80xxBLUG |
| 56F8037/56F8027 Technical Data Sheet | Electrical and timing specifications, pin descriptions, and package descriptions (this document) | MC56F8037/56F8027 |
| 56F8037/56F8027 Errata | Details any chip issues that might be present | MC56F8037/56F8027E |

1.6 Data Sheet Conventions

This data sheet uses the following conventions:

$\overline{\text{OVERBAR}}$ This is used to indicate a signal that is active when pulled low. For example, the $\overline{\text{RESET}}$ pin is active when low.

“asserted” A high true (active high) signal is high or a low true (active low) signal is low.

“deasserted” A high true (active high) signal is low or a low true (active low) signal is high.

| Examples: | Signal/Symbol | Logic State | Signal State | Voltage ¹ |
|-----------|-------------------------|-------------|--------------|----------------------|
| | $\overline{\text{PIN}}$ | True | Asserted | V_{IL}/V_{OL} |
| | $\overline{\text{PIN}}$ | False | Deasserted | V_{IH}/V_{OH} |
| | PIN | True | Asserted | V_{IH}/V_{OH} |
| | PIN | False | Deasserted | V_{IL}/V_{OL} |

1. Values for V_{IL} , V_{OL} , V_{IH} , and V_{OH} are defined by individual product specifications.

Part 2 Signal/Connection Descriptions

2.1 Introduction

The input and output signals of the 56F8037/56F8027 are organized into functional groups, as detailed in [Table 2-1](#). [Table 2-2](#) summarizes all device pins. In [Table 2-2](#), each table row describes the signal or signals present on a pin, sorted by pin number.

Table 2-1 Functional Group Pin Allocations

| Functional Group | Number of Pins |
|--|----------------|
| Power Inputs (V_{DD} , V_{DDA}) | 4 |
| Ground (V_{SS} , V_{SSA}) | 5 |
| Supply Capacitors | 2 |
| Reset ¹ | 1 |
| Pulse Width Modulator (PWM) Ports ¹ | 13 |
| Queued Serial Peripheral Interface 0 (QSPI0) Ports ¹ | 4 |
| Queued Serial Peripheral Interface 1 (QSPI1) Ports ¹ | 4 |
| Timer Module A (TMRA) Ports ¹ | 4 |
| Timer Module B (TMRB) Ports ¹ | 4 |
| Analog-to-Digital Converter (ADC) Ports ¹ | 16 |
| Digital-to-Analog Converter (DAC) Ports ¹ | 2 |
| Queued Serial Communications Interface 0 (QSCI0) Ports ¹ | 2 |
| Queued Serial Communications Interface 1 (QSCI1) Ports ¹ | 2 |
| Inter-Integrated Circuit Interface (I ² C) Ports ¹ | 2 |
| MSCAN Ports ¹ | 2 |
| Oscillator Signals ¹ | 2 |
| JTAG/Enhanced On-Chip Emulation (EOnCE) ¹ | 4 |

1. Pins may be shared with other peripherals. See [Table 2-2](#).

In **Table 2-2**, peripheral pins in bold identify reset state.

Table 2-2 56F8037/56F8027 Pins

| | | | Peripherals: | | | | | | | | | | | | |
|-------|----------------|----------------------------------|--------------|-----|------|------------------|----------------------------|--------|------------|------|--------|-------|------------------|------|-------|
| Pin # | Pin Name | Signal Name | GPIO | I2C | QSCI | QSPI | ADC | PWM | Quad Timer | DAC | Comp | MSCAN | Power & Ground | JTAG | Misc. |
| 1 | GPIOB6 | GPIOB6, RXD0, SDA, CLKIN | B6 | SDA | RXD0 | | | | | | | | | | CLKIN |
| 2 | GPIOB1 | GPIOB1, $\overline{SS0}$, SDA | B1 | SDA | | $\overline{SS0}$ | | | | | | | | | |
| 3 | GPIOB7 | GPIOB7, TXD0, SCL | B7 | SCL | TXD0 | | | | | | | | | | |
| 4 | GPIOB5 | GPIOB5, TA1, FAULT3, CLKIN | B5 | | | | | FAULT3 | TA1 | | | | | | CLKIN |
| 5 | GPIOA9 | GPIOA9, FAULT2, TA3, CMPBI1 | A9 | | | | | FAULT2 | TA3 | | CMPBI1 | | | | |
| 6 | GPIOA11 | GPIOA11, TB3, CMPBI2 | A11 | | | | | | TB3 | | CMPBI2 | | | | |
| 7 | VDD | V _{DD} | | | | | | | | | | | V _{DD} | | |
| 8 | VSS | V _{SS} | | | | | | | | | | | V _{SS} | | |
| 9 | GPIOC12 | GPIOC12, ANB4, RXD1 | C12 | | RXD1 | | ANB4 | | | | | | | | |
| 10 | GPIOC4 | GPIOC4, ANB0, CMPBI3 | C4 | | | | ANB0 | | | | CMPBI3 | | | | |
| 11 | GPIOC5 | GPIOC5, ANB1 | C5 | | | | ANB1 | | | | | | | | |
| 12 | GPIOC13 | GPIOC13, ANB5 | C13 | | | | ANB5 | | | | | | | | |
| 13 | GPIOC6 | ANB2, V _{REFHB} | C6 | | | | ANB2 V _{REFHB} | | | | | | | | |
| 14 | GPIOC7 | GPIOC7, ANB3, V _{REFLB} | C7 | | | | ANB3 V _{REFLB} | | | | | | | | |
| 15 | GPIOD7 | GPIOD7, DAC1 | D7 | | | | | | | DAC1 | | | | | |
| 16 | VDDA | V _{DDA} | | | | | | | | | | | V _{DDA} | | |
| 17 | VSSA | V _{SSA} | | | | | | | | | | | V _{SSA} | | |
| 18 | GPIOD6 | GPIOD6, DAC0 | D6 | | | | | | | DAC0 | | | | | |
| 19 | GPIOC3 | GPIOC3, ANA3, V _{REFLA} | C3 | | | | ANA3 V _{REFLA} | | | | | | | | |
| 20 | GPIOC2 | GPIOC2, ANA2, V _{REFHA} | C2 | | | | ANA2 V _{REFHA} | | | | | | | | |
| 21 | GPIOC9 | GPIOC9, ANA5 | C9 | | | | ANA5 | | | | | | | | |
| 22 | GPIOC1 | GPIOC1, ANA1 | C1 | | | | ANA1 | | | | | | | | |
| 23 | GPIOC10 | GPIOC10, ANA6 | C10 | | | | ANA6 | | | | | | | | |
| 24 | GPIOC0 | GPIOC0, ANA0, CMPAI3 | C0 | | | | ANA0 | | | | CMPAI3 | | | | |
| 25 | GPIOC11 | GPIOC11, ANA7 | C11 | | | | ANA7 | | | | | | | | |
| 26 | GPIOC8 | GPIOC8, ANA4, TXD1 | C8 | | TXD1 | | ANA4 | | | | | | | | |
| 27 | VSS | V _{SS} | | | | | | | | | | | V _{SS} | | |

Table 2-2 56F8037/56F8027 Pins (Continued)

| | | | Peripherals: | | | | | | | | | | | | |
|-------|----------------|------------------------------------|--------------|-----|------|-------|-----|----------------|------------|-----|--------|-------|------------------|------|---------------|
| Pin # | Pin Name | Signal Name | GPIO | I2C | QSCI | QSPI | ADC | PWM | Quad Timer | DAC | Comp | MSCAN | Power & Ground | JTAG | Misc. |
| 28 | VCAP | V _{CAP} | | | | | | | | | | | V _{CAP} | | |
| 29 | TCK | TCK, GPIOD2 | D2 | | | | | | | | | | | TCK | |
| 30 | GPIOB10 | GPIOB10, CMPAO, TB0 | B10 | | | | | | TB0 | | CMPAO | | | | |
| 31 | RESET | RESET, GPIOA7 | A7 | | | | | | | | | | | | RESET |
| 32 | GPIOB3 | GPIOB3, MOSI0, TA3, PSRC1 | B3 | | | MOSI0 | | PSRC1 | TA3 | | | | | | |
| 33 | GPIOB2 | GPIOB2, MISO0, TA2, PSRC0 | B2 | | | MISO0 | | PSRC0 | TA2 | | | | | | |
| 34 | GPIOA6 | GPIOA6, FAULT0, TA0 | A6 | | | | | FAULT0 | TA0 | | | | | | |
| 35 | GPIOA10 | GPIOA10, TB2, CMPAI2 | A10 | | | | | | TB2 | | CMPAI2 | | | | |
| 36 | GPIOA8 | GPIOA8, FAULT1, TA2, CMPAI1 | A8 | | | | | FAULT1 | TA2 | | CMPAI1 | | | | |
| 37 | GPIOA12 | GPIOA12, TB1, SCLK1, TA1 | A12 | | | SCLK1 | | | TB1 TA1 | | | | | | |
| 38 | GPIOB4 | GPIOB4, SS1, TB0, TA0, PSRC2, CLKO | B4 | | | SS1 | | PSRC2 | TA0 TB0 | | | | | | CLKO |
| 39 | GPIOA5 | GPIOA5, PWM5, TA3, FAULT2 | A5 | | | | | PWM5 FAULT2 | TA3 | | | | | | |
| 40 | VSS | V _{SS} | | | | | | | | | | | V _{SS} | | |
| 41 | VDD | V _{DD} | | | | | | | | | | | V _{DD} | | |
| 42 | GPIOB0 | GPIOB0, SCLK0, SCL | B0 | SCL | | SCLK0 | | | | | | | | | |
| 43 | GPIOA4 | GPIOA4, PWM4, TA2, FAULT1 | A4 | | | | | PWM4 FAULT1 | TA2 | | | | | | |
| 44 | GPIOA13 | GPIOA13, TB2, MISO1, TA2 | A13 | | | MISO1 | | | TB2 TA2 | | | | | | |
| 45 | GPIOA14 | GPIOA14, TB3, MOSI1, TA3 | A14 | | | MOSI1 | | | TB3 TA3 | | | | | | |
| 46 | GPIOB9 | GPIOB9, SDA, CANRX | B9 | SDA | | | | | | | | CANRX | | | |
| 47 | GPIOA2 | GPIOA2, PWM2 | A2 | | | | | PWM2 | | | | | | | |
| 48 | GPIOA3 | GPIOA3, PWM3 | A3 | | | | | PWM3 | | | | | | | |
| 49 | VCAP | V _{CAP} | | | | | | | | | | | V _{CAP} | | |
| 50 | VDD | V _{DD} | | | | | | | | | | | V _{DD} | | |
| 51 | VSS | V _{SS} | | | | | | | | | | | V _{SS} | | |
| 52 | GPIOD5 | GPIOD5, XTAL, CLKIN | D5 | | | | | | | | | | | | XTAL CLKIN |
| 53 | GPIOD4 | GPIOD4, EXTAL | D4 | | | | | | | | | | | | EXTAL |
| 54 | GPIOB8 | GPIOB8, SCL, CANTX | B8 | SCL | | | | | | | | CANTX | | | |
| 55 | GPIOA1 | GPIOA1, PWM1 | A1 | | | | | PWM1 | | | | | | | |

Table 2-2 56F8037/56F8027 Pins (Continued)

| | | | Peripherals: | | | | | | | | | | | | |
|-------|----------------|---------------------|--------------|-----|------|------|------|------|------------|-----|-------|-------|----------------|------------|-------|
| Pin # | Pin Name | Signal Name | GPIO | I2C | QSCI | QSPI | ADC | PWM | Quad Timer | DAC | Comp | MSCAN | Power & Ground | JTAG | Misc. |
| 56 | GPIOA0 | GPIOA0, PWM0 | A0 | | | | | PWM0 | | | | | | | |
| 57 | GPIOB12 | GPIOB12, CANTX | B12 | | | | | | | | | CANTX | | | |
| 58 | GPIOB13 | GPIOB13, CANRX | B13 | | | | | | | | | CANRX | | | |
| 59 | TDI | TDI, GPIOD0 | D0 | | | | | | | | | | | TD1 | |
| 60 | GPIOB11 | GPIOB11, CMPBO, TB1 | B11 | | | | | | TB1 | | CMPBO | | | | |
| 61 | GPIOC15 | GPIOC15, ANB7 | C15 | | | | ANB7 | | | | | | | | |
| 62 | GPIOC14 | GPIOC14, ANB6 | C14 | | | | ANB6 | | | | | | | | |
| 63 | TMS | TMS, GPIOD3 | D3 | | | | | | | | | | | TMS | |
| 64 | TDO | TDO, GPIOD1 | D1 | | | | | | | | | | | TDO | |

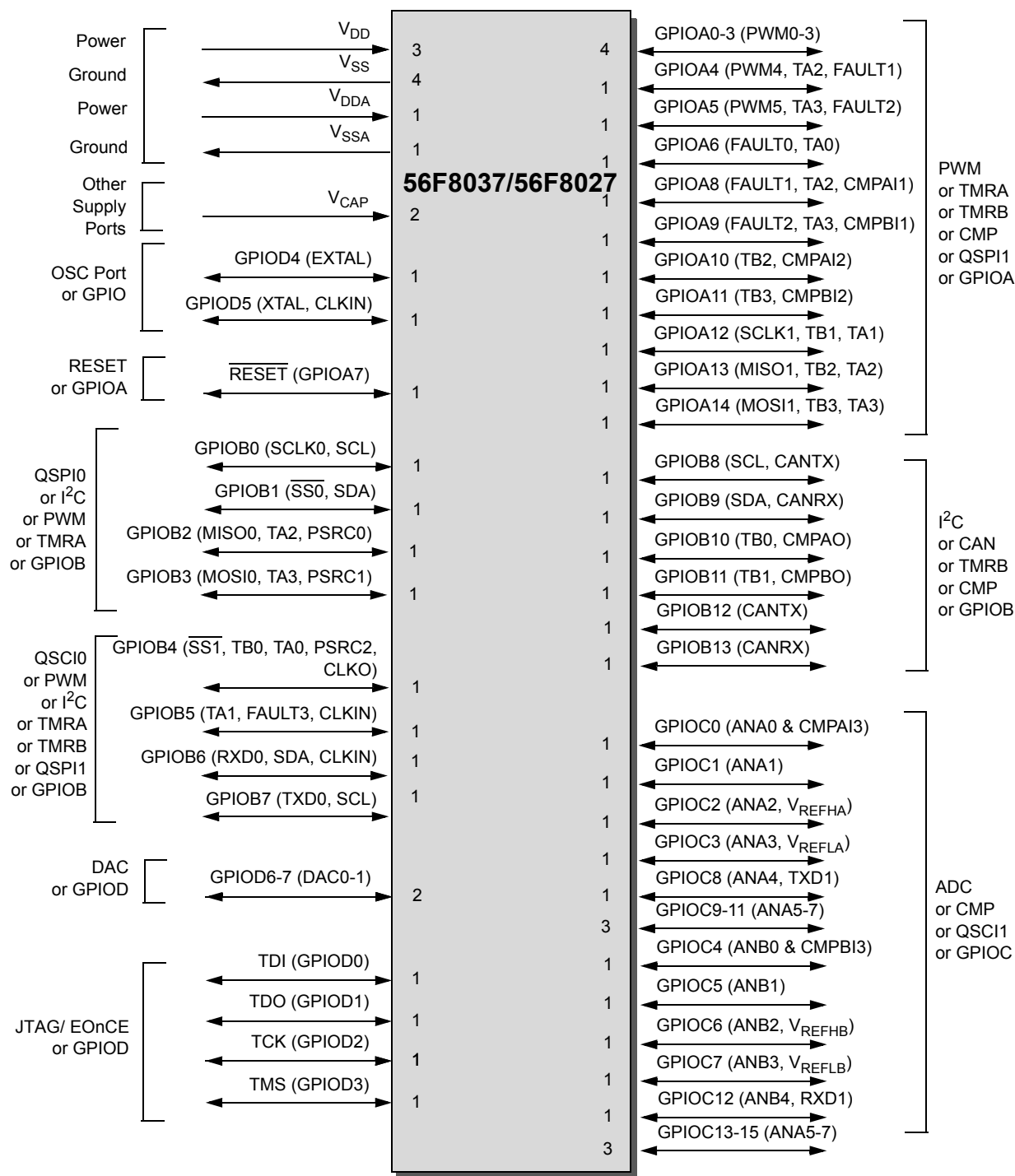


Figure 2-1 56F8037/56F8027 Signals Identified by Functional Group

2.2 56F8037/56F8027 Signal Pins

After reset, each pin is configured for its primary function (listed first). Any alternate functionality must be programmed.

Table 2-3 56F8037/56F8027 Signal and Package Information for the 64-Pin LQFP

| Signal Name | LQFP Pin No. | Type | State During Reset | Signal Description |
|---|--------------|--------------------------------------|---------------------------------|--|
| V _{DD} | 7 | Supply | Supply | I/O Power — This pin supplies 3.3V power to the chip I/O interface. |
| V _{DD} | 41 | | | |
| V _{DD} | 50 | | | |
| V _{SS} | 8 | Supply | Supply | V _{SS} — These pins provide ground for chip logic and I/O drivers. |
| V _{SS} | 27 | | | |
| V _{SS} | 40 | | | |
| V _{SS} | 51 | | | |
| V _{DDA} | 16 | Supply | Supply | ADC Power — This pin supplies 3.3V power to the ADC modules. It must be connected to a clean analog power supply. |
| V _{SSA} | 17 | Supply | Supply | ADC Analog Ground — This pin supplies an analog ground to the ADC modules. |
| V _{CAP} | 28 | Supply | Supply | V _{CAP} — Connect this pin to a 2.2μF or greater bypass capacitor in order to bypass the core voltage regulator, required for proper chip operation. See Section 10.2.1 . |
| V _{CAP} | 49 | | | |
| $\overline{\text{RESET}}$ (GPIOA7) | 31 | Input Input/Open Drain Output | Input, internal pull-up enabled | <p>Reset — This input is a direct hardware reset on the processor. When $\overline{\text{RESET}}$ is asserted low, the chip is initialized and placed in the reset state. A Schmitt trigger input is used for noise immunity. The internal reset signal will be deasserted synchronous with the internal clocks after a fixed number of internal clocks.</p> <p>Port A GPIO — This GPIO pin can be individually programmed as an input or open drain output pin. Note that $\overline{\text{RESET}}$ functionality is disabled in this mode and the chip can only be reset via POR, COP reset, or software reset.</p> <p>After reset, the default state is $\overline{\text{RESET}}$.</p> |

Return to [Table 2-2](#)

Table 2-3 56F8037/56F8027 Signal and Package Information for the 64-Pin LQFP (Continued)

| Signal Name | LQFP Pin No. | Type | State During Reset | Signal Description |
|------------------------------------|--------------|--------------------------------|--|--|
| GPIOA0 (PWM0) | 56 | Input/ Output Output | Input, internal pull-up enabled | Port A GPIO — This GPIO pin can be individually programmed as an input or output pin. PWM0 — This is one of the six PWM output pins. After reset, the default state is GPIOA0. |
| GPIOA1 (PWM1) | 55 | Input/ Output Output | Input, internal pull-up enabled | Port A GPIO — This GPIO pin can be individually programmed as an input or output pin. PWM1 — This is one of the six PWM output pins. After reset, the default state is GPIOA1. |
| GPIOA2 (PWM2) | 47 | Input/ Output Output | Input, internal pull-up enabled | Port A GPIO — This GPIO pin can be individually programmed as an input or output pin. PWM2 — This is one of the six PWM output pins. After reset, the default state is GPIOA2. |
| GPIOA3 (PWM3) | 48 | Input/ Output Output | Input, internal pull-up enabled | Port A GPIO — This GPIO pin can be individually programmed as an input or output pin. PWM3 — This is one of the six PWM output pins. After reset, the default state is GPIOA3. |

Return to [Table 2-2](#)

Table 2-3 56F8037/56F8027 Signal and Package Information for the 64-Pin LQFP (Continued)

| Signal Name | LQFP Pin No. | Type | State During Reset | Signal Description |
|--|--------------|---|--|---|
| GPIOA4 (PWM4) (TA2¹) (FAULT1²) | 43 | Input/ Output Output Input/ Output Input | Input, internal pull-up enabled | Port A GPIO — This GPIO pin can be individually programmed as an input or output pin. PWM4 — This is one of the six PWM output pins. TA2 — Timer A, Channel 2 Fault1 — This fault input pin is used for disabling selected PWM outputs in cases where fault conditions originate off-chip. After reset, the default state is GPIOA4. The peripheral functionality is controlled via the SIM. See Section 6.3.16 . |
| ¹ The TA2 signal is also brought out on the GPIOA8-9, GPIOA13-14 and GPIOB2-3 pins. ² The Fault1 signal is also brought out on the GPIOA8-9, GPIOB4 and GPIOB10 pins. | | | | |
| GPIOA5 (PWM5) (TA3³) (FAULT2⁴) | 39 | Input/ Output Output Input/ Output Input | Input, internal pull-up enabled | Port A GPIO — This GPIO pin can be individually programmed as an input or output pin. PWM5 — This is one of the six PWM output pins. TA3 — Timer A, Channel 3 Fault2 — This fault input pin is used for disabling selected PWM outputs in cases where fault conditions originate off-chip. After reset, the default state is GPIOA5. The peripheral functionality is controlled via the SIM. See Section 6.3.16 . |
| ³ The TA3 signal is also brought out on the GPIOA8-9, GPIOA13-14 and GPIOB2-3 pins. ⁴ The Fault2 signal is also brought out on the GPIOA8-9, GPIOB4 and GPIOB10 pins. | | | | |

Return to [Table 2-2](#)

Table 2-3 56F8037/56F8027 Signal and Package Information for the 64-Pin LQFP (Continued)

| Signal Name | LQFP Pin No. | Type | State During Reset | Signal Description |
|---|--------------|--|--|--|
| GPIOA6 (FAULT0) (TA0⁵) | 34 | Input/ Output Input | Input, internal pull-up enabled | <p>Port A GPIO — This GPIO pin can be individually programmed as an input or output pin.</p> <p>Fault0 — This fault input pin is used for disabling selected PWM outputs in cases where fault conditions originate off-chip.</p> <p>TA0 — Timer A, Channel 0.</p> <p>After reset, the default state is GPIOA6. The peripheral functionality is controlled via the SIM. See Section 6.3.16.</p> |
| ⁵ The TA0 signal is also brought out on the GPIOB4 pin. | | | | |
| GPIOA8 (FAULT1) (TA2) (CMPAI1) | 36 | Input/ Output Input Input/ Output Input | Input, internal pull-up enabled | <p>Port A GPIO — This GPIO pin can be individually programmed as an input or output pin.</p> <p>Fault1 — This fault input pin is used for disabling selected PWM outputs in cases where fault conditions originate off-chip.</p> <p>TA2 — Timer A, Channel 2.</p> <p>Comparator A, Input 1 — This is an analog input to Comparator A.</p> <p>After reset, the default state is GPIOA8. The peripheral functionality is controlled via the SIM. See Section 6.3.16.</p> |
| GPIOA9 (FAULT2) (TA3) (CMPBI1) | 5 | Input/ Output Input Input/ Output Input | Input, internal pull-up enabled | <p>Port A GPIO — This GPIO pin can be individually programmed as an input or output pin.</p> <p>Fault2 — This fault input pin is used for disabling selected PWM outputs in cases where fault conditions originate off-chip.</p> <p>TA2 — Timer A, Channel 3.</p> <p>Comparator B, Input 1 — This is an analog input to Comparator B.</p> <p>After reset, the default state is GPIOA9. The peripheral functionality is controlled via the SIM. See Section 6.3.16.</p> |

 Return to [Table 2-2](#)

Table 2-3 56F8037/56F8027 Signal and Package Information for the 64-Pin LQFP (Continued)

| Signal Name | LQFP Pin No. | Type | State During Reset | Signal Description |
|---|--------------|--|---------------------------------|---|
| GPIOA10 (TB2⁶) (CMPAI2) | 35 | Input/ Output Input/ Output Input | Input, internal pull-up enabled | Port A GPIO — This GPIO pin can be individually programmed as an input or output pin. TB2 — Timer B, Channel 2. Comparator A, Input 2 — This is an analog input to Comparator A. After reset, the default state is GPIOA10. The peripheral functionality is controlled via the SIM. See Section 6.3.16 . |
| ⁶ The TB2 signal is also brought out on the GPIOA13 pin. | | | | |
| GPIOA11 (TB3⁷) (CMPBI2) | 6 | Input/ Output Input/ Output Input | Input, internal pull-up enabled | Port A GPIO — This GPIO pin can be individually programmed as an input or output pin. TB3 — Timer B, Channel 3. Comparator B, Input 2 — This is an analog input to Comparator B. After reset, the default state is GPIOA11. The peripheral functionality is controlled via the SIM. See Section 6.3.16 . |
| ⁷ The TB3 signal is also brought out on the GPIOA14 pin. | | | | |
| GPIOA12 (SCLK1) (TB1⁸) (TA1⁹) | 37 | Input/ Output Input/ Output Input/ Output | Input, internal pull-up enabled | Port A GPIO — This GPIO pin can be individually programmed as an input or output pin. QSPI1 Serial Clock — In the master mode, this pin serves as an output, clocking slaved listeners. In slave mode, this pin serves as the data clock input. A Schmitt trigger input is used for noise immunity. TB1 — Timer B, Channel 1. TA1 — Timer A, Channel 1. After reset, the default state is GPIOA12. The peripheral functionality is controlled via the SIM. See Section 6.3.16 . |
| ⁸ The TB1 signal is also brought out on the GPIOB11 pin. ⁹ The TA1 signal is also brought out on the GPIOB5 pin. | | | | |

Return to [Table 2-2](#)

Table 2-3 56F8037/56F8027 Signal and Package Information for the 64-Pin LQFP (Continued)

| Signal Name | LQFP Pin No. | Type | State During Reset | Signal Description |
|---|--------------|--|--|--|
| GPIOA13 (MISO1) (TB2¹⁰) (TA2¹¹) | 44 | Input/ Output Input/ Output Input/ Output Input/ Output | Input, internal pull-up enabled | <p>Port A GPIO — This GPIO pin can be individually programmed as an input or output pin.</p> <p>QSPI1 Master In/Slave Out— This serial data pin is an input to a master device and an output from a slave device. The MISO line of a slave device is placed in the high-impedance state if the slave device is not selected. The slave device places data on the MISO line a half-cycle before the clock edge the master devices uses to latch the data.</p> <p>TB2 — Timer B, Channel 2.</p> <p>TA2 — Timer A, Channel 2.</p> <p>After reset, the default state is GPIOA13. The peripheral functionality is controlled via the SIM. See Section 6.3.16.</p> |
| <p>¹⁰The TB2 signal is also brought out on the GPIOA10 pin.</p> <p>¹¹The TA2 signal is also brought out on the GPIOA4, GPIOA8 and GPIOB2 pins.</p> | | | | |
| GPIOA14 (MOSI1) (TB3¹²) (TA3¹³) | 45 | Input/ Output Input/ Output Input/ Output | Input, internal pull-up enabled | <p>Port A GPIO — This GPIO pin can be individually programmed as an input or output pin.</p> <p>QSPI1 MasterOut/Slave In — This serial data pin is an output from a master device and an input to a slave device. The master device places data on the MOSI line a half-cycle before the clock edge the slave devices uses to latch the data.</p> <p>TB3 — Timer B, Channel 3.</p> <p>TA3 — Timer A, Channel 3.</p> <p>After reset, the default state is GPIOA14. The peripheral functionality is controlled via the SIM. See Section 6.3.16.</p> |
| <p>¹²The TB3 signal is also brought out on the GPIOA11 pin.</p> <p>¹³The TA3 signal is also brought out on the GPIOA5, GPIOA9, and GPIOB3 pins.</p> | | | | |

 Return to [Table 2-2](#)

Table 2-3 56F8037/56F8027 Signal and Package Information for the 64-Pin LQFP (Continued)

| Signal Name | LQFP Pin No. | Type | State During Reset | Signal Description |
|--|--------------|--|--|---|
| GPIOB0 (SCLK0) (SCL¹⁴) | 42 | Input/ Output Input/ Output Input/ Output | Input, internal pull-up enabled | <p>Port B GPIO — This GPIO pin can be individually programmed as an input or output pin.</p> <p>QSPI0 Serial Clock — In the master mode, this pin serves as an output, clocking slaved listeners. In slave mode, this pin serves as the data clock input. A Schmitt trigger input is used for noise immunity.</p> <p>Serial Clock — This pin serves as the I²C serial clock.</p> <p>After reset, the default state is GPIOB0. The peripheral functionality is controlled via the SIM. See Section 6.3.16.</p> |
| ¹⁴ The SCL signal is also brought out on the GPIOB7 and GPIOB8 pins. | | | | |
| GPIOB1 ($\overline{SS0}$) (SDA¹⁵) | 2 | Input/ Output Input/ Output Input | Input, internal pull-up enabled | <p>Port B GPIO — This GPIO pin can be individually programmed as an input or output pin.</p> <p>QSPI0 Slave Select — \overline{SS} is used in slave mode to indicate to the QSPI0 module that the current transfer is to be received.</p> <p>Serial Data — This pin serves as the I²C serial data line.</p> <p>After reset, the default state is GPIOB1. The peripheral functionality is controlled via the SIM. See Section 6.3.16.</p> |
| ¹⁵ The SDA signal is also brought out on the GPIOB6 and GPIOB9 pins. | | | | |

Return to [Table 2-2](#)

Table 2-3 56F8037/56F8027 Signal and Package Information for the 64-Pin LQFP (Continued)

| Signal Name | LQFP Pin No. | Type | State During Reset | Signal Description |
|--|--------------|---|--|---|
| GPIOB2 (MISO0) (TA2¹⁶) (PSRC0) | 33 | Input/ Output Input/ Output Input/ Output Input | Input, internal pull-up enabled | <p>Port B GPIO — This GPIO pin can be individually programmed as an input or output pin.</p> <p>QSPI0 Master In/Slave Out — This serial data pin is an input to a master device and an output from a slave device. The MISO line of a slave device is placed in the high-impedance state if the slave device is not selected. The slave device places data on the MISO line a half-cycle before the clock edge the master device uses to latch the data.</p> <p>TA2 — Timer A, Channel 2</p> <p>PSRC0 — External PWM signal source input for the complementary PWM4/PWM5 pair.</p> <p>After reset, the default state is GPIOB2. The peripheral functionality is controlled via the SIM. See Section 6.3.16.</p> |
| ¹⁶ The TA2 signal is also brought out on the GPIOA4, GPIOA8 and GPIOA13 pins. | | | | |
| GPIOB3 (MOSI0) (TA3¹⁷) (PSRC1) | 32 | Input/ Output Input/ Output Input/ Output Input | Input, internal pull-up enabled | <p>Port B GPIO — This GPIO pin can be individually programmed as an input or output pin.</p> <p>QSPI0 Master Out/Slave In— This serial data pin is an output from a master device and an input to a slave device. The master device places data on the MOSI line a half-cycle before the clock edge the slave device uses to latch the data.</p> <p>TA3 — Timer A, Channel 3</p> <p>PSRC1 — External PWM signal source input for the complementary PWM2/PWM3 pair.</p> <p>After reset, the default state is GPIOB3. The peripheral functionality is controlled via the SIM. See Section 6.3.16.</p> |
| ¹⁷ The TA3 signal is also brought out on the GPIOA5, GPIOA9 and GPIOA14 pins. | | | | |

 Return to [Table 2-2](#)

Table 2-3 56F8037/56F8027 Signal and Package Information for the 64-Pin LQFP (Continued)

| Signal Name | LQFP Pin No. | Type | State During Reset | Signal Description |
|--|--------------|---|---------------------------------|--|
| GPIOB4 (SS1) (TB0¹⁸) (TA0¹⁹) (PSRC2) (CLKO) | 38 | Input/ Output Input/ Output Input/ Output Input Output | Input, internal pull-up enabled | <p>Port B GPIO — This GPIO pin can be individually programmed as an input or output pin.</p> <p>QSPI1 Slave Select — This is used in slave mode to indicate to the QSPI1 module that the current transfer is to be received.</p> <p>TB0 — Timer B, Channel 0</p> <p>TA0 — Timer A, Channel 0</p> <p>PSRC2 — External PWM signal source input for the complementary PWM0/PWM1 pair.</p> <p>Clock Output — This is a buffered clock output; the clock source is selected by Clockout Select (CLKOSEL) bits in the Clock Output Select Register (CLKOUT). See Section 6.3.7.</p> <p>After reset, the default state is GPIOB4. The peripheral functionality is controlled via the SIM. See Section 6.3.16.</p> |
| <p>¹⁸The TB0 signal is also brought out on the GPIOB4 and GPIOB10 pins.</p> <p>¹⁹The TA0 signal is also brought out on the GPIOB4 and GPIOA6 pins.</p> | | | | |
| GPIOB5 (TA1²⁰) (FAULT3) (CLKIN) | 4 | Input/ Output Input/ Output Input Input | Input, internal pull-up enabled | <p>Port B GPIO — This GPIO pin can be individually programmed as an input or output pin.</p> <p>TA1 — Timer A, Channel 1</p> <p>FAULT3 — This fault input pin is used for disabling selected PWM outputs in cases where fault conditions originate off-chip.</p> <p>External Clock Input— This pin serves as an external clock input.</p> <p>After reset, the default state is GPIOB5. The peripheral functionality is controlled via the SIM. See Section 6.3.16.</p> |
| <p>²⁰The TA1 signal is also brought out on the GPIOA12 pin.</p> | | | | |

Return to [Table 2-2](#)

Table 2-3 56F8037/56F8027 Signal and Package Information for the 64-Pin LQFP (Continued)

| Signal Name | LQFP Pin No. | Type | State During Reset | Signal Description |
|---|--------------|--|---------------------------------|--|
| GPIOB6 (RXD0) (SDA²¹) (CLKIN) | 1 | Input/ Output Input Input/ Output Input | Input, internal pull-up enabled | <p>Port B GPIO — This GPIO pin can be individually programmed as an input or output pin.</p> <p>Receive Data 0 — QSCI0 receive data input.</p> <p>Serial Data — This pin serves as the I²C serial data line.</p> <p>External Clock Input — This pin serves as an optional external clock input.</p> <p>After reset, the default state is GPIOB6. The peripheral functionality is controlled via the SIM (See Section 6.3.16) and the CLKMODE bit of the OCCS Oscillator Control Register.</p> |
| ²¹ The SDA signal is also brought out on the GPIOB1 and GPIOB9 pins. | | | | |
| GPIOB7 (TXD0) (SCL²²) | 3 | Input/ Output Input/ Output Input/ Output | Input, internal pull-up enabled | <p>Port B GPIO — This GPIO pin can be individually programmed as an input or output pin.</p> <p>Transmit Data 0 — QSCI0 transmit data output or transmit / receive in single wire operation.</p> <p>Serial Clock — This pin serves as the I²C serial clock.</p> <p>After reset, the default state is GPIOB7. The peripheral functionality is controlled via the SIM. See Section 6.3.16.</p> |
| ²² The SCL signal is also brought out on the GPIOB0 and GPIOB8 pins. | | | | |
| GPIOB8 (SCL²³) (CANTX²⁴) | 54 | Input/ Output Input/ Output Open Drain Output | Input, internal pull-up enabled | <p>Port B GPIO — This GPIO pin can be individually programmed as an input or output pin.</p> <p>Serial Clock 1 — This pin serves as the I²C serial clock.</p> <p>CAN Transmit Data — This is the SCAN interface output.</p> <p>After reset, the default state is GPIOB8. The peripheral functionality is controlled via the SIM. See Section 6.3.16.</p> |
| ²³ The SCL signal is also brought out on the GPIOB0 and GPIOB7 pins. ²⁴ The CANTX signal is also brought out on the GPIOB12 pin. | | | | |

Return to [Table 2-2](#)

Table 2-3 56F8037/56F8027 Signal and Package Information for the 64-Pin LQFP (Continued)

| Signal Name | LQFP Pin No. | Type | State During Reset | Signal Description |
|---|--------------|--|--|--|
| GPIOB9 (SDA²⁵) (CANRX²⁶) | 46 | Input/ Output Input/ Output Input | Input, internal pull-up enabled | Port B GPIO — This GPIO pin can be individually programmed as an input or output pin. Serial Data 1 — This pin serves as the I ² C serial data line. CAN Receive Data — This is the MSCAN interface input. After reset, the default state is GPIOB9. The peripheral functionality is controlled via the SIM. See Section 6.3.16 . |
| ²⁵ The SDA signal is also brought out on the GPIOB1 and GPIOB6 pins. ²⁶ The CANRX signal is also brought out on the GPIOB13 pin. | | | | |
| GPIOB10 (TB0²⁷) (CMPAO) | 30 | Input/ Output Input/ Output Output | Input, internal pull-up enabled | Port B GPIO — This GPIO pin can be individually programmed as an input or output pin. TB0 — Timer B, Channel 0. Comparator A Output — This is the output of comparator A. After reset, the default state is GPIOB10. The peripheral functionality is controlled via the SIM. See Section 6.3.16 . |
| ²⁷ The TB0 signal is also brought out on the GPIOB4 pin. | | | | |
| GPIOB11 (TB1²⁸) (CMPBO) | 60 | Input/ Output Input/ Output Output | Input, internal pull-up enabled | Port B GPIO — This GPIO pin can be individually programmed as an input or output pin. TB1 — Timer B, Channel 1. Comparator B Output — This is the output of comparator B. After reset, the default state is GPIOB11. The peripheral functionality is controlled via the SIM. See Section 6.3.16 . |
| ²⁸ The TB1 signal is also brought out on the GPIOA12 pin. | | | | |

Return to [Table 2-2](#)

Table 2-3 56F8037/56F8027 Signal and Package Information for the 64-Pin LQFP (Continued)

| Signal Name | LQFP Pin No. | Type | State During Reset | Signal Description |
|---|--------------|--|--------------------|---|
| GPIOB12 (CANTX ²⁹) | 57 | Input/ Output Open Drain Output | Input | Port B GPIO — This GPIO pin can be individually programmed as an input or output pin. CAN Transmit Data — This is the MSCAN interface output. After reset, the default state is GPIOB12. |
| ²⁹ The CANTX signal is also brought out on the GPIOB8 pin. | | | | |
| GPIOB13 (CANRX ³⁰) | 58 | Input/ Output Input | Input | Port B GPIO — This GPIO pin can be individually programmed as an input or output pin. CAN Receive Data — This is the MSCAN interface input. After reset, the default state is GPIOB13. |
| ³⁰ The CANRX signal is also brought out on the GPIOB9 pin. | | | | |
| GPIOC0 (ANA0 & CMPAI3) | 24 | Input/ Output Analog Input | Input | Port C GPIO — This GPIO pin can be individually programmed as an input or output pin. ANA0 — Analog input to ADC A, Channel 0. Comparator A, Input 3 — This is an analog input to Comparator A. When used as an analog input, the signal goes to both ANA0 and CMPAI3. After reset, the default state is GPIOC0. |
| GPIOC1 (ANA1) | 22 | Input/ Output Analog Input | Input | Port C GPIO — This GPIO pin can be individually programmed as an input or output pin. ANA1 — Analog input to ADC A, Channel 1. After reset, the default state is GPIOC1. |
| GPIOC2 (ANA2) (V _{REFHA}) | 20 | Input/ Output Analog Input Analog Input | Input | Port C GPIO — This GPIO pin can be individually programmed as an input or output pin. ANA2 — Analog input to ADC A, Channel 2. V_{REFHA} — Analog reference voltage high (ADC A). After reset, the default state is GPIOC2. |

Return to [Table 2-2](#)

Table 2-3 56F8037/56F8027 Signal and Package Information for the 64-Pin LQFP (Continued)

| Signal Name | LQFP Pin No. | Type | State During Reset | Signal Description |
|--|--------------|--|--------------------|---|
| GPIOC3 (ANA3) (V_{REFLA}) | 19 | Input/ Output Analog Input Analog Input | Input | Port C GPIO — This GPIO pin can be individually programmed as an input or output pin. ANA3 — Analog input to ADC A, Channel 3. V_{REFLA} — Analog reference voltage low. (ADC A). After reset, the default state is GPIOC3. |
| GPIOC4 (ANB0 & CMPB13) | 10 | Input/ Output Analog Input Analog Input | Input | Port C GPIO — This GPIO pin can be individually programmed as an input or output pin. ANB0 — Analog input to ADC B, Channel 0. Comparator B, Input 3 — This is an analog input to Comparator B. When used as an analog input, the signal goes to both ANB0 and CMPB13. After reset, the default state is GPIOC4. |
| GPIOC5 (ANB1) | 11 | Input/ Output Analog Input | Input | Port C GPIO — This GPIO pin can be individually programmed as an input or output pin. ANB1 — Analog input to ADC B, Channel 1. After reset, the default state is GPIOC5. |
| GPIOC6 (ANB2) (V_{REFHB}) | 13 | Input/ Output Analog Input Input | Input | Port C GPIO — This GPIO pin can be individually programmed as an input or output pin. ANB2 — Analog input to ADC B, Channel 2. V_{REFHB} — Analog reference voltage high (ADC B). After reset, the default state is GPIOC6. |

Return to [Table 2-2](#)

Table 2-3 56F8037/56F8027 Signal and Package Information for the 64-Pin LQFP (Continued)

| Signal Name | LQFP Pin No. | Type | State During Reset | Signal Description |
|--|--------------|---|--------------------|--|
| GPIOC7 (ANB3) (V_{REFLB}) | 14 | Input/ Output Analog Input Input | Input | Port C GPIO — This GPIO pin can be individually programmed as an input or output pin. ANB3 — Analog input to ADC B, Channel 3. V_{REFLB} — Analog reference voltage low (ADC B). After reset, the default state is GPIOC7. |
| GPIOC8 (ANA4) (TXD1) | 26 | Input/ Output Analog Input Input/ Output | Input | Port C GPIO — This GPIO pin can be individually programmed as an input or output pin. ANA4 — Analog input to ADC A, Channel 4. Transmit Data 1 — SCI1 transmit data output. After reset, the default state is GPIOC8. |
| GPIOC9 (ANA5) | 21 | Input/ Output Analog Input | Input | Port C GPIO — This GPIO pin can be individually programmed as an input or output pin. ANA5 — Analog input to ADC A, Channel 5. After reset, the default state is GPIOC9. |
| GPIOC10 (ANA6) | 23 | Input/ Output Analog Input | Input | Port C GPIO — This GPIO pin can be individually programmed as an input or output pin. ANA6 — Analog input to ADC A, Channel 6. After reset, the default state is GPIOC10. |
| GPIOC11 (ANA7) | 25 | Input/ Output Analog Input | Input | Port C GPIO — This GPIO pin can be individually programmed as an input or output pin. ANA7 — Analog input to ADC A, Channel 7. After reset, the default state is GPIOC11. |

 Return to [Table 2-2](#)

Table 2-3 56F8037/56F8027 Signal and Package Information for the 64-Pin LQFP (Continued)

| Signal Name | LQFP Pin No. | Type | State During Reset | Signal Description |
|--|--------------|--|--------------------|--|
| GPIOC12 (ANB4) (RXD1) | 9 | Input/ Output Analog Input Input | Input | Port C GPIO — This GPIO pin can be individually programmed as an input or output pin. ANB4 — Analog input to ADC B, Channel 4. Receive Data 1 — SCI1 receive data input. After reset, the default state is GPIOC12. |
| GPIOC13 (ANB5) | 12 | Input/ Output Analog Input | Input | Port C GPIO — This GPIO pin can be individually programmed as an input or output pin. ANB5 — Analog input to ADC B, Channel 5. After reset, the default state is GPIOC13. |
| GPIOC14 (ANB6) | 62 | Input/ Output Analog Input | Input | Port C GPIO — This GPIO pin can be individually programmed as an input or output pin. ANB6 — Analog input to ADC B, Channel 6. After reset, the default state is GPIOC14. |
| GPIOC15 (ANB7) | 61 | Input/ Output Analog Input | Input | Port C GPIO — This GPIO pin can be individually programmed as an input or output pin. ANB7 — Analog input to ADC B, Channel 7. After reset, the default state is GPIOC15. |
| GPIOD4 (EXTAL) | 53 | Input/ Output Analog Input | Input | Port D GPIO — This GPIO pin can be individually programmed as an input or output pin. External Crystal Oscillator Input — This input can be connected to an 8MHz external crystal. Tie this pin low if XTAL is being driven by an external clock source. After reset, the default state is GPIOD4. |

Return to [Table 2-2](#)

Table 2-3 56F8037/56F8027 Signal and Package Information for the 64-Pin LQFP (Continued)

| Signal Name | LQFP Pin No. | Type | State During Reset | Signal Description |
|--|--------------|---|---|--|
| GPIOD5 (XTAL) (CLKIN) | 52 | Input/ Output Analog Input/ Output Input | Input | <p>Port D GPIO — This GPIO pin can be individually programmed as an input or output pin.</p> <p>External Crystal Oscillator Output — This output connects the internal crystal oscillator output to an external crystal.</p> <p>External Clock Input — This pin serves as an external clock input.</p> <p>After reset, the default state is GPIOD5.</p> |
| GPIOD6 (DAC0) | 18 | Input/ Output Analog Input | Input, internal pull-up enabled | <p>Port D GPIO — This GPIO pin can be individually programmed as an input or output pin.</p> <p>DAC0— Digital-to-Analog Converter output 0.</p> <p>After reset, the default state is GPIOD6.</p> |
| GPIOD7 (DAC1) | 15 | Input/ Output Analog Input | Input, internal pull-up enabled | <p>Port D GPIO — This GPIO pin can be individually programmed as an input or output pin.</p> <p>DAC1— Digital-to-Analog Converter output 1.</p> <p>After reset, the default state is GPIOD7.</p> |
| TDI (GPIOD0) | 59 | Input Input/ Output | Input, internal pull-up enabled | <p>Test Data Input — This input pin provides a serial input data stream to the JTAG/EOnCE port. It is sampled on the rising edge of TCK and has an on-chip pull-up resistor.</p> <p>Port D GPIO — This GPIO pin can be individually programmed as an input or output pin.</p> <p>After reset, the default state is TDI.</p> |
| TDO (GPIOD1) | 64 | Output Input/ Output | Output tri-stated, internal pull-up enabled | <p>Test Data Output — This tri-stateable output pin provides a serial output data stream from the JTAG/EOnCE port. It is driven in the shift-IR and shift-DR controller states, and changes on the falling edge of TCK.</p> <p>Port D GPIO — This GPIO pin can be individually programmed as an input or output pin.</p> <p>After reset, the default state is TDO.</p> |

Return to [Table 2-2](#)

Table 2-3 56F8037/56F8027 Signal and Package Information for the 64-Pin LQFP (Continued)

| Signal Name | LQFP Pin No. | Type | State During Reset | Signal Description |
|---------------------|--------------|-------------------------------|--|--|
| TCK (GPIOD2) | 29 | Input Input/ Output | Input, internal pull-up enabled | <p>Test Clock Input — This input pin provides a gated clock to synchronize the test logic and shift serial data to the JTAG/EOnCE port. The pin is connected internally to a pull-up resistor. A Schmitt trigger input is used for noise immunity.</p> <p>Port D GPIO — This GPIO pin can be individually programmed as an input or output pin.</p> <p>After reset, the default state is TCK.</p> |
| TMS (GPIOD3) | 63 | Input Input/ Output | Input, internal pull-up enabled | <p>Test Mode Select Input — This input pin is used to sequence the JTAG TAP controller's state machine. It is sampled on the rising edge of TCK and has an on-chip pull-up resistor.</p> <p>Port D GPIO — This GPIO pin can be individually programmed as an input or output pin.</p> <p>After reset, the default state is TMS.</p> <p>Note: Always tie the TMS pin to V_{DD} through a 2.2K resistor.</p> |

Return to [Table 2-2](#)

Part 3 OCCS

3.1 Overview

The On-Chip Clock Synthesis (OCCS) module allows designers using an internal relaxation oscillator, an external crystal, or an external clock to run 56F8000 family devices at user-selectable frequencies up to 32MHz. For details, see the OCCS chapter in the **56F802x and 56F803x Peripheral Reference Manual**.

3.2 Features

The OCCS module interfaces to the oscillator and PLL and offers these features:

- Internal relaxation oscillator
- Ability to power down the internal relaxation oscillator or crystal oscillator
- Ability to put the internal relaxation oscillator into Standby mode
- 3-bit postscaler provides control for the PLL output
- Ability to power down the PLL
- Provides a 2X system clock which operates at twice the system clock to the System Integration Module (SIM)
- Provides a 3X system clock which operates at three times the system clock to PWM and Timer modules
- Safety shutdown feature is available if the PLL reference clock is lost
- Can be driven from an external clock source

The clock generation module provides the programming interface for the PLL, internal relaxation oscillator, and crystal oscillator.

3.3 Operating Modes

In 56F8000 family devices, an internal oscillator, an external crystal, or an external clock source can be used to provide a reference clock to the SIM.

The 2X system clock source output from the OCCS can be described by one of the following equations:

$$2X \text{ system frequency} = \text{oscillator frequency}$$

$$2X \text{ system frequency} = (\text{oscillator frequency} \times 8) / (\text{postscaler})$$

where:

$$\text{postscaler} = 1, 2, 4, 8, 16, \text{ or } 32$$

The SIM is responsible for further dividing these frequencies by two, which will insure a 50% duty cycle in the system clock output.

The 56F8000 family devices' on-chip clock synthesis module has the following registers:

- Control Register (OCCS_CTRL)
- Divide-by Register (OCCS_DIVBY)
- Status Register (OCCS_STAT)
- Shutdown Register (OCCS_SHUTDN)
- Oscillator Control Register (OCCS_OCTRL)

For more information on these registers, please refer to the **56F802x and 56F803x Peripheral Reference Manual**.

3.4 Internal Clock Source

An internal relaxation oscillator can supply the reference frequency when an external frequency source or crystal is not used. It is optimized for accuracy and programmability while providing several power-saving configurations which accommodate different operating conditions. The internal relaxation oscillator has very little temperature and voltage variability. To optimize power, the architecture supports a standby state and a power-down state.

During a boot or reset sequence, the relaxation oscillator is enabled by default (the PRECS bit in the PLLCR word is set to 0). Application code can then also switch to the external clock source and power down the internal oscillator, if desired. If a changeover between internal and external clock sources is required at power-on, the user must ensure that the clock source is not switched until the desired external clock source is enabled and stable.

To compensate for variances in the device manufacturing process, the accuracy of the relaxation oscillator can be incrementally adjusted to within $\pm 0.078\%$ of 8MHz by trimming an internal capacitor. Bits 0-9 of the OSCTL (oscillator control) register allow the user to set in an additional offset (trim) to this preset value to increase or decrease capacitance. Each unit added or subtracted changes the output frequency by about 0.078% of 8MHz, allowing incremental adjustment until the desired frequency accuracy is achieved.

The center frequency of the internal oscillator is calibrated at the factory to 8MHz and the TRIM value is stored in the Flash information block and loaded to the FMOPT1 register at reset. When using the relaxation oscillator, the boot code should read the FMOPT1 register and set this value as OSCTL TRIM. For further information, see the **56F802x and 56F803x Peripheral Reference Manual**.

3.5 Crystal Oscillator

The internal crystal oscillator circuit is designed to interface with a parallel-resonant crystal resonator in a frequency range of 4-8MHz, specified for the external crystal. **Figure 3-1** shows a typical crystal oscillator circuit. Follow the crystal supplier's recommendations when selecting a crystal, since crystal parameters determine the component values required to provide maximum stability and reliable start-up. The load capacitance values used in the oscillator circuit design should include all stray layout capacitances. The crystal and associated components should be mounted as near as possible to the EXTAL and XTAL pins to minimize output distortion and start-up stabilization time.

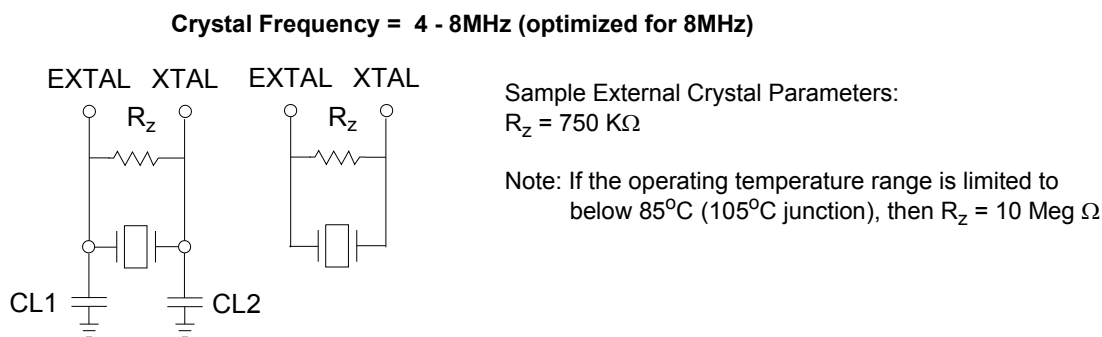


Figure 3-1 External Crystal Oscillator Circuit

3.6 Ceramic Resonator

The internal crystal oscillator circuit is also designed to interface with a ceramic resonator in the frequency range of 4-8MHz. **Figure 3-2** shows the typical 2 and 3 terminal ceramic resonators and their circuits. Follow the resonator supplier's recommendations when selecting a resonator, since their parameters determine the component values required to provide maximum stability and reliable start up. The load capacitance values used in the resonator circuit design should include all stray layout capacitances. The resonator and associated components should be mounted as near as possible to the EXTAL and XTAL pins to minimize output distortion and start-up stabilization time.

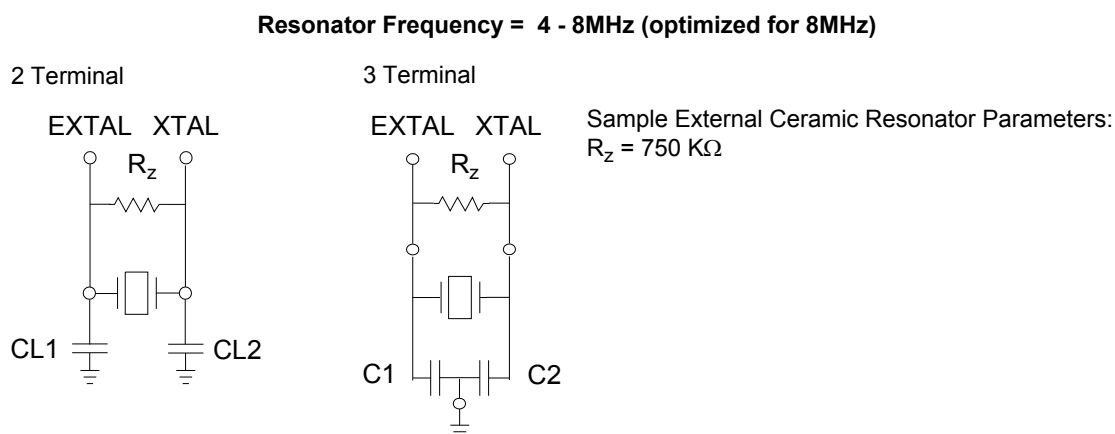


Figure 3-2 External Ceramic Resonator Circuit

3.7 External Clock Input - Crystal Oscillator Option

The recommended method of connecting an external clock is illustrated in **Figure 3-3**. The external clock source is connected to XTAL and the EXTAL pin is grounded. The external clock input must be generated using a relatively low impedance driver.

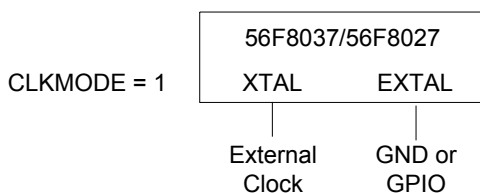


Figure 3-3 Connecting an External Clock Signal using XTAL

3.8 Alternate External Clock Input

The recommended method of connecting an external clock is illustrated in [Figure 3-3](#). The external clock source is connected to GPIO6/RXD (primary) or GPIOB5/TA1/FAULT3/XTAL/EXTAL (secondary). The user has the option of using GPIO6/RXD/CLKIN or GPIOB5/TA1/FAULT3/CLKIN as external clock input.

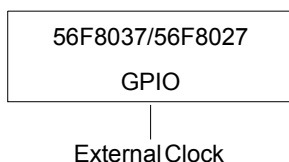


Figure 3-4 Connecting an External Clock Signal using GPIO

Part 4 Memory Maps

4.1 Introduction

The 56F8037/56F8027 device is a 16-bit motor-control chip based on the 56800E core. It uses a Harvard-style architecture with two independent memory spaces for Data and Program. On-chip RAM is shared by both spaces and Flash memory is used only in Program space.

This section provides memory maps for:

- Program Address Space, including the Interrupt Vector Table
- Data Address Space, including the EOnCE Memory and Peripheral Memory Maps

On-chip memory sizes for the device are summarized in [Table 4-1](#). Flash memories' restrictions are identified in the “Use Restrictions” column of [Table 4-1](#).

Table 4-1 Chip Memory Configurations

| On-Chip Memory | 56F8037 | 56F8027 | Use Restrictions |
|------------------------|------------------------|------------------------|--|
| Program Flash (PFLASH) | 32k x 16 or 64KB | 16k x 16 or 32KB | Erase / Program via Flash interface unit and word writes to CDBW |
| Unified RAM (RAM) | 4k x 16 or 8KB | 2k x 16 or 4KB | Usable by both the Program and Data memory spaces |

4.2 Interrupt Vector Table

Table 4-2 provides the 56F8037/56F8027's reset and interrupt priority structure, including on-chip peripherals. The table is organized with higher-priority vectors at the top and lower-priority interrupts lower in the table. As indicated, the priority of an interrupt can be assigned to different levels, allowing some control over interrupt priorities. All level 3 interrupts will be serviced before level 2, and so on. For a selected priority level, the lowest vector number has the highest priority.

The location of the vector table is determined by the Vector Base Address (VBA). Please see [Section 5.6.8](#) for the reset value of the VBA.

By default, the chip reset address and COP reset address will correspond to vector 0 and 1 of the interrupt vector table. In these instances, the first two locations in the vector table must contain branch or JMP instructions. All other entries must contain JSR instructions.

Table 4-2 Interrupt Vector Table Contents¹

| Peripheral | Vector Number | Priority Level | Vector Base Address + | Interrupt Function |
|------------|---------------|----------------|-----------------------|---|
| core | | | P:\$00 | Reserved for Reset Overlay ² |
| core | | | P:\$02 | Reserved for COP Reset Overlay |
| core | 2 | 3 | P:\$04 | Illegal Instruction |
| core | 3 | 3 | P:\$06 | SW Interrupt 3 |
| core | 4 | 3 | P:\$08 | HW Stack Overflow |
| core | 5 | 3 | P:\$0A | Misaligned Long Word Access |
| core | 6 | 1-3 | P:\$0C | EOnCE Step Counter |
| core | 7 | 1-3 | P:\$0E | EOnCE Breakpoint Unit |
| core | 8 | 1-3 | P:\$10 | EOnCE Trace Buffer |
| core | 9 | 1-3 | P:\$12 | EOnCE Transmit Register Empty |
| core | 10 | 1-3 | P:\$14 | EOnCE Receive Register Full |
| core | 11 | 2 | P:\$16 | SW Interrupt 2 |
| core | 12 | 1 | P:\$18 | SW Interrupt 1 |
| core | 13 | 0 | P:\$1A | SW Interrupt 0 |
| | 14 | | | Reserved |

Table 4-2 Interrupt Vector Table Contents¹ (Continued)

| Peripheral | Vector Number | Priority Level | Vector Base Address + | Interrupt Function |
|------------|---------------|----------------|-----------------------|---|
| LVI | 15 | 1-3 | P:\$1E | Low-Voltage Detector (Power Sense) |
| PLL | 16 | 1-3 | P:\$20 | Phase-Locked Loop |
| FM | 17 | 0-2 | P:\$22 | FM Access Error Interrupt |
| FM | 18 | 0-2 | P:\$24 | FM Command Complete |
| FM | 19 | 0-2 | P:\$26 | FM Command, Data, and Address Buffers Empty |
| MSCAN | 20 | 0-2 | P:\$28 | MSCAN Error |
| MSCAN | 21 | 0-2 | P:\$2a | MSCAN Receive |
| MSCAN | 22 | 0-2 | P:\$2C | MSCAN Transmit |
| MSCAN | 23 | 0-2 | P:\$2E | MSCAN Wake-Up |
| GPIOD | 24 | 0-2 | P:\$30 | GPIOD |
| GPIOC | 25 | 0-2 | P:\$32 | GPIOC |
| GPIOB | 26 | 0-2 | P:\$34 | GPIOB |
| GPIOA | 27 | 0-2 | P:\$36 | GPIOA |
| QSPI0 | 28 | 0-2 | P:\$38 | QSPI0 Receiver Full |
| QSPI0 | 29 | 0-2 | P:\$3A | QSPI0 Transmitter Empty |
| QSPI1 | 30 | 0-2 | P:\$3C | QSPI1 Receiver Full |
| QSPI1 | 31 | 0-2 | P:\$3E | QSPI1 Transmitter Empty |
| QSCI0 | 32 | 0-2 | P:\$40 | QSCI0 Transmitter Empty |
| QSCI0 | 33 | 0-2 | P:\$42 | QSCI0 Transmitter Idle |
| QSCI0 | 34 | 0-2 | P:\$44 | QSCI0 Receiver Error |
| QSCI0 | 35 | 0-2 | P:\$46 | QSCI0 Receiver Full |
| QSCI1 | 36 | 0-2 | P:\$48 | QSCI1 Transmitter Empty |
| QSCI1 | 37 | 0-2 | P:\$4A | QSCI1 Transmitter Idle |
| QSCI1 | 38 | 0-2 | P:\$4C | QSCI1 Receiver Error |
| QSCI1 | 39 | 0-2 | P:\$4E | QSCI1 Receiver Full |
| I2C | 40 | 0-2 | P:\$50 | I ² C Error |
| I2C | 41 | 0-2 | P:\$52 | I ² C General |
| I2C | 42 | 0-2 | P:\$54 | I ² C Receive |
| I2C | 43 | 0-2 | P:\$56 | I ² C Transmit |
| I2C | 44 | 0-2 | P:\$58 | I ² C Status |
| TMRA | 45 | 0-2 | P:\$5A | Timer A, Channel 0 |
| TMRA | 46 | 0-2 | P:\$5C | Timer A, Channel 1 |
| TMRA | 47 | 0-2 | P:\$5E | Timer A, Channel 2 |
| TMRA | 48 | 0-2 | P:\$60 | Timer A, Channel 3 |
| TMRB | 49 | 0-2 | P:\$62 | Timer B, Channel 0 |
| TMRB | 50 | 0-2 | P:\$64 | Timer B, Channel 1 |
| TMRB | 51 | 0-2 | P:\$66 | Timer B, Channel 2 |
| TMRB | 52 | 0-2 | P:\$68 | Timer B, Channel 3 |

Table 4-2 Interrupt Vector Table Contents¹ (Continued)

| Peripheral | Vector Number | Priority Level | Vector Base Address + | Interrupt Function |
|------------|---------------|----------------|-----------------------|----------------------------------|
| CMPA | 53 | 0-2 | P:\$6A | Comparator A |
| CMPB | 54 | 0-2 | P:\$6C | Comparator B |
| PIT0 | 55 | 0-2 | P:\$6E | Interval Timer 0 |
| PIT1 | 56 | 0-2 | P:\$70 | Interval Timer 1 |
| PIT2 | 57 | 0-2 | P:\$72 | Interval Timer 2 |
| ADC | 58 | 0-2 | P:\$74 | ADC A Conversion Complete |
| ADC | 59 | 0-2 | P:\$76 | ADC B Conversion Complete |
| ADC | 60 | 0-2 | P:\$78 | ADC Zero Crossing or Limit Error |
| PWM | 61 | 0-2 | P:\$7A | Reload PWM |
| PWM | 62 | 0-2 | P:\$7C | PWM Fault |
| SWILP | 63 | -1 | P:\$7E | SW Interrupt Low Priority |

- Two words are allocated for each entry in the vector table. This does not allow the full address range to be referenced from the vector table, providing only 19 bits of address.
- If the VBA is set to the reset value, the first two locations of the vector table will overlay the chip reset addresses since the reset address would match the base of this vector table.

4.3 Program Map

The Program Memory map is shown in [Table 4-3](#) and [Table 4-4](#).

Table 4-3 Program Memory Map¹ at Reset for 56F8037

| Begin/End Address | Memory Allocation |
|------------------------------|--|
| P: \$1F FFFF P: \$00 9000 | RESERVED |
| P: \$00 8FFF P: \$00 8000 | On-Chip RAM ² 8KB |
| P: \$00 7FFF P: \$00 0000 | Internal Program Flash 64KB Cop Reset Address = \$00 0002 Boot Location = \$00 0000 |

- All addresses are 16-bit Word addresses.
- This RAM is shared with Data space starting at address X: \$00 0000; see [Figure 4-1](#).

Table 4-4 Program Memory Map¹ at Reset for 56F8027

| Begin/End Address | Memory Allocation |
|------------------------------|--|
| P: \$1F FFFF P: \$00 8800 | RESERVED |
| P: \$00 87FF P: \$00 8000 | On-Chip RAM ² 4KB |
| P: \$00 7FFF P: \$00 4000 | Internal Program Flash 32KB Cop Reset Address = \$00 4002 Boot Location = \$00 4000 |
| P: \$00 3FFF P: \$00 0000 | RESERVED |

1. All addresses are 16-bit Word addresses.

2. This RAM is shared with Data space starting at address X: \$00 0000; see [Figure 4-2](#).

4.4 Data Map

Table 4-5 Data Memory Map for 56F8037¹

| Begin/End Address | Memory Allocation |
|----------------------------|---|
| X:\$FF FFFF X:\$FF FF00 | EOnCE 256 locations allocated |
| X:\$FF FEFF X:\$01 0000 | RESERVED |
| X:\$00 FFFF X:\$00 F000 | On-Chip Peripherals 4096 locations allocated |
| X:\$00 EFFF X:\$00 9000 | RESERVED |
| X:\$00 8FFF X:\$00 8000 | RESERVED |
| X:\$00 7FFF X:\$00 1000 | RESERVED |
| X:\$00 0FFF X:\$00 0000 | On-Chip Data RAM 8KB ² |

1. All addresses are 16-bit Word addresses.

2. This RAM is shared with Program space starting at P: \$00 8000; see [Figure 4-1](#).

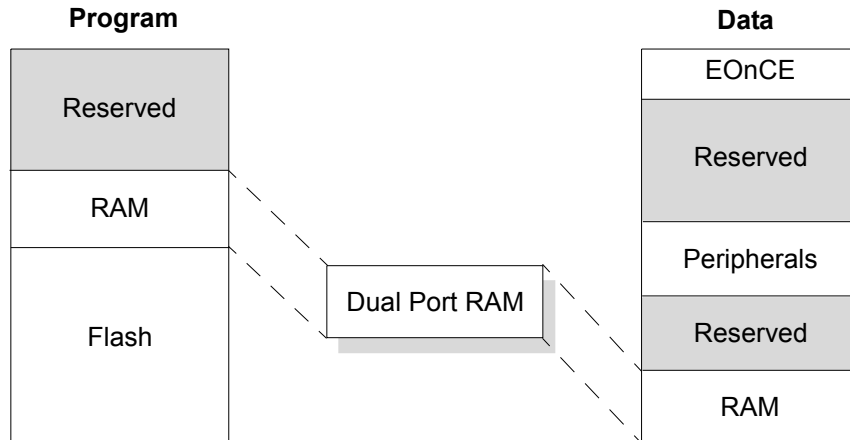


Figure 4-1 Dual Port RAM for 56F8037

Table 4-6 Data Memory Map for 56F8027¹

| Begin/End Address | Memory Allocation |
|----------------------------|---|
| X:\$FF FFFF X:\$FF FF00 | EOnCE 256 locations allocated |
| X:\$FF FEFF X:\$01 0000 | RESERVED |
| X:\$00 FFFF X:\$00 F000 | On-Chip Peripherals 4096 locations allocated |
| X:\$00 EFFF X:\$00 9000 | RESERVED |
| X:\$00 8FFF X:\$00 8000 | RESERVED |
| X:\$00 7FFF X:\$00 0800 | RESERVED |
| X:\$00 07FF X:\$00 0000 | On-Chip Data RAM 4KB ² |

1. All addresses are 16-bit Word addresses.

2. This RAM is shared with Program space starting at P: \$00 8000; see [Figure 4-2](#).

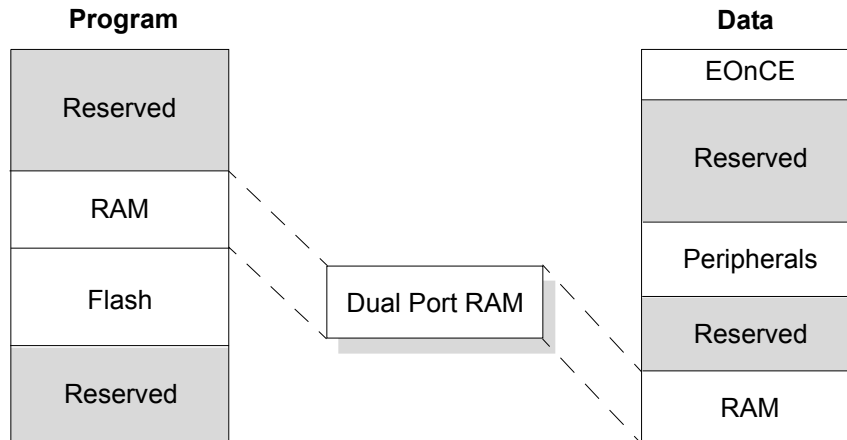


Figure 4-2 Dual Port RAM for 56F8027

4.5 EOnCE Memory Map

Figure 4-7 lists all EOnCE registers necessary to access or control the EOnCE.

Table 4-7 EOnCE Memory Map

| Address | Register Acronym | Register Name |
|---------------------------|--------------------------|---|
| X:\$FF FFFF | OTX1 / ORX1 | Transmit Register Upper Word Receive Register Upper Word |
| X:\$FF FFFE | OTX / ORX (32 bits) | Transmit Register Receive Register |
| X:\$FF FFFD | OTRXSR | Transmit and Receive Status and Control Register |
| X:\$FF FFFC | OCLSR | Core Lock / Unlock Status Register |
| X:\$FF FFFB - X:\$FF FFA1 | | Reserved |
| X:\$FF FFA0 | OCR | Control Register |
| X:\$FF FF9F | | Instruction Step Counter |
| X:\$FF FF9E | OSCNTR (24 bits) | Instruction Step Counter |
| X:\$FF FF9D | OSR | Status Register |
| X:\$FF FF9C | OBASE | Peripheral Base Address Register |
| X:\$FF FF9B | OTBCR | Trace Buffer Control Register |
| X:\$FF FF9A | OTBPR | Trace Buffer Pointer Register |
| X:\$FF FF99 | | Trace Buffer Register Stages |
| X:\$FF FF98 | OTB (21 - 24 bits/stage) | Trace Buffer Register Stages |
| X:\$FF FF97 | | Breakpoint Unit Control Register |
| X:\$FF FF96 | OBCR (24 bits) | Breakpoint Unit Control Register |
| X:\$FF FF95 | | Breakpoint Unit Address Register 1 |
| X:\$FF FF94 | OBAR1 (24 bits) | Breakpoint Unit Address Register 1 |
| X:\$FF FF93 | | Breakpoint Unit Address Register 2 |

Table 4-7 EOnCE Memory Map (Continued)

| Address | Register Acronym | Register Name |
|---------------------------|------------------|------------------------------------|
| X:\$FF FF92 | OBAR2 (32 bits) | Breakpoint Unit Address Register 2 |
| X:\$FF FF91 | | Breakpoint Unit Mask Register 2 |
| X:\$FF FF90 | OBMSK (32 bits) | Breakpoint Unit Mask Register 2 |
| X:\$FF FF8F | | Reserved |
| X:\$FF FF8E | OBCNTR | EOnCE Breakpoint Unit Counter |
| X:\$FF FF8D | | Reserved |
| X:\$FF FF8C | | Reserved |
| X:\$FF FF8B | | Reserved |
| X:\$FF FF8A | OESCR | External Signal Control Register |
| X:\$FF FF89 - X:\$FF FF00 | | Reserved |

4.6 Peripheral Memory-Mapped Registers

On-chip peripheral registers are part of the data memory map on the 56800E series. These locations may be accessed with the same addressing modes used for ordinary Data memory, except all peripheral registers should be read or written using word accesses only.

Table 4-8 summarizes base addresses for the set of peripherals on the 56F8037/56F8027 device. Peripherals are listed in order of the base address.

The following tables list all of the peripheral registers required to control or access the peripherals.

Table 4-8 Data Memory Peripheral Base Address Map Summary

| Peripheral | Prefix | Base Address | Table Number |
|------------------|--------|--------------|----------------------|
| Timer A | TMRA | X:\$00 F000 | 4-9 |
| Timer B | TMRB | X:\$00 F040 | 4-10 |
| ADC | ADC | X:\$00 F080 | 4-11 |
| PWM | PWM | X:\$00 F0C0 | 4-12 |
| ITCN | ITCN | X:\$00 F0E0 | 4-13 |
| SIM | SIM | X:\$00 F100 | 4-14 |
| COP | COP | X:\$00 F120 | 4-15 |
| CLK, PLL, OSC | OCCS | X:\$00 F130 | 4-16 |
| Power Supervisor | PS | X:\$00 F140 | 4-17 |
| GPIO Port A | GPIOA | X:\$00 F150 | 4-18 |
| GPIO Port B | GPIOB | X:\$00 F160 | 4-19 |
| GPIO Port C | GPIOC | X:\$00 F170 | 4-20 |
| GPIO Port D | GPIOD | X:\$00 F180 | 4-21 |
| PIT 0 | PIT0 | X:\$00 F190 | 4-22 |
| PIT 1 | PIT1 | X:\$00 F1A0 | 4-23 |
| PIT 2 | PIT2 | X:\$00 F1B0 | 4-24 |

Table 4-8 Data Memory Peripheral Base Address Map Summary (Continued)

| Peripheral | Prefix | Base Address | Table Number |
|------------------|--------|--------------|----------------------|
| DAC 0 | DAC0 | X:\$00 F1C0 | 4-25 |
| DAC 1 | DAC1 | X:\$00 F1D0 | 4-26 |
| Comparator A | CMPA | X:\$00 F1E0 | 4-27 |
| Comparator B | CMPB | X:\$00 F1F0 | 4-28 |
| QSCI 0 | QSCI0 | X:\$00 F200 | 4-29 |
| QSCI 1 | QSCI1 | X:\$00 F210 | 4-30 |
| QSPI 0 | QSPI0 | X:\$00 F220 | 4-31 |
| QSPI 1 | QSPI1 | X:\$00 F230 | 4-32 |
| I ² C | I2C | X:\$00 F280 | 4-33 |
| FM | FM | X:\$00 F400 | 4-34 |
| MSCAN | CAN | X:\$00 F800 | 4-35 |

**Table 4-9 Quad Timer A Registers Address Map
(TMRA_BASE = \$00 F000)**

| Register Acronym | Address Offset | Register Description |
|------------------|----------------|--|
| TMRA0_COMP1 | \$0 | Compare Register 1 |
| TMRA0_COMP2 | \$1 | Compare Register 2 |
| TMRA0_CAPT | \$2 | Capture Register |
| TMRA0_LOAD | \$3 | Load Register |
| TMRA0_HOLD | \$4 | Hold Register |
| TMRA0_CNTR | \$5 | Counter Register |
| TMRA0_CTRL | \$6 | Control Register |
| TMRA0_SCTRL | \$7 | Status and Control Register |
| TMRA0_CMPLD1 | \$8 | Comparator Load Register 1 |
| TMRA0_CMPLD2 | \$9 | Comparator Load Register 2 |
| TMRA0_CSCTRL | \$A | Comparator Status and Control Register |
| TMRA0_FILT | \$B | Input Filter Register |
| | | Reserved |
| TMRA0_ENBL | \$F | Timer Channel Enable Register |
| TMRA1_COMP1 | \$10 | Compare Register 1 |
| TMRA1_COMP2 | \$11 | Compare Register 2 |
| TMRA1_CAPT | \$12 | Capture Register |
| TMRA1_LOAD | \$13 | Load Register |
| TMRA1_HOLD | \$14 | Hold Register |
| TMRA1_CNTR | \$15 | Counter Register |
| TMRA1_CTRL | \$16 | Control Register |
| TMRA1_SCTRL | \$17 | Status and Control Register |
| TMRA1_CMPLD1 | \$18 | Comparator Load Register 1 |
| TMRA1_CMPLD2 | \$19 | Comparator Load Register 2 |
| TMRA1_CSCTRL | \$1A | Comparator Status and Control Register |
| TMRA1_FILT | \$1B | Input Filter Register |
| | | Reserved |
| TMRA2_COMP1 | \$20 | Compare Register 1 |
| TMRA2_COMP2 | \$21 | Compare Register 2 |
| TMRA2_CAPT | \$22 | Capture Register |
| TMRA2_LOAD | \$23 | Load Register |
| TMRA2_HOLD | \$24 | Hold Register |
| TMRA2_CNTR | \$25 | Counter Register |
| TMRA2_CTRL | \$26 | Control Register |
| TMRA2_SCTRL | \$27 | Status and Control Register |
| TMRA2_CMPLD1 | \$28 | Comparator Load Register 1 |

**Table 4-9 Quad Timer A Registers Address Map (Continued)
(TMRA_BASE = \$00 F000)**

| Register Acronym | Address Offset | Register Description |
|------------------|----------------|--|
| TMRA2_CMPLD2 | \$29 | Comparator Load Register 2 |
| TMRA2_CSCTRL | \$2A | Comparator Status and Control Register |
| TMRA2_FILT | \$2B | Input Filter Register |
| | | Reserved |
| TMRA3_COMP1 | \$30 | Compare Register 1 |
| TMRA3_COMP2 | \$31 | Compare Register 2 |
| TMRA3_CAPT | \$32 | Capture Register |
| TMRA3_LOAD | \$33 | Load Register |
| TMRA3_HOLD | \$34 | Hold Register |
| TMRA3_CNTR | \$35 | Counter Register |
| TMRA3_CTRL | \$36 | Control Register |
| TMRA3_SCTRL | \$37 | Status and Control Register |
| TMRA3_CMPLD1 | \$38 | Comparator Load Register 1 |
| TMRA3_CMPLD2 | \$39 | Comparator Load Register 2 |
| TMRA3_CSCTRL | \$3A | Comparator Status and Control Register |
| TMRA3_FILT | \$3B | Input Filter Register |
| | | Reserved |

**Table 4-10 Quad Timer B Registers Address Map
(TMRB_BASE = \$00 F040)**

| Register Acronym | Address Offset | Register Description |
|------------------|----------------|--|
| TMRB0_COMP1 | \$0 | Compare Register 1 |
| TMRB0_COMP2 | \$1 | Compare Register 2 |
| TMRB0_CAPT | \$2 | Capture Register |
| TMRB0_LOAD | \$3 | Load Register |
| TMRB0_HOLD | \$4 | Hold Register |
| TMRB0_CNTR | \$5 | Counter Register |
| TMRB0_CTRL | \$6 | Control Register |
| TMRB0_SCTRL | \$7 | Status and Control Register |
| TMRB0_CMPLD1 | \$8 | Comparator Load Register 1 |
| TMRB0_CMPLD2 | \$9 | Comparator Load Register 2 |
| TMRB0_CSCTRL | \$A | Comparator Status and Control Register |
| TMRB0_FILT | \$B | Input Filter Register |
| | | Reserved |
| TMRB0_ENBL | \$F | Timer Channel Enable Register |
| TMRB1_COMP1 | \$10 | Compare Register 1 |
| TMRB1_COMP2 | \$11 | Compare Register 2 |
| TMRB1_CAPT | \$12 | Capture Register |

Table 4-10 Quad Timer B Registers Address Map (Continued)
(TMRB_BASE = \$00 F040)

| Register Acronym | Address Offset | Register Description |
|------------------|----------------|--|
| TMRB1_LOAD | \$13 | Load Register |
| TMRB1_HOLD | \$14 | Hold Register |
| TMRB1_CNTR | \$15 | Counter Register |
| TMRB1_CTRL | \$16 | Control Register |
| TMRB1_SCTRL | \$17 | Status and Control Register |
| TMRB1_CMPLD1 | \$18 | Comparator Load Register 1 |
| TMRB1_CMPLD2 | \$19 | Comparator Load Register 2 |
| TMRB1_CSCTRL | \$1A | Comparator Status and Control Register |
| TMRB1_FILTER | \$1B | Input Filter Register |
| | | Reserved |
| TMRB2_COMP1 | \$20 | Compare Register 1 |
| TMRB2_COMP2 | \$21 | Compare Register 2 |
| TMRB2_CAPT | \$22 | Capture Register |
| TMRB2_LOAD | \$23 | Load Register |
| TMRB2_HOLD | \$24 | Hold Register |
| TMRB2_CNTR | \$25 | Counter Register |
| TMRB2_CTRL | \$26 | Control Register |
| TMRB2_SCTRL | \$27 | Status and Control Register |
| TMRB2_CMPLD1 | \$28 | Comparator Load Register 1 |
| TMRB2_CMPLD2 | \$29 | Comparator Load Register 2 |
| TMRB2_CSCTRL | \$2A | Comparator Status and Control Register |
| TMRB2_FILTER | \$2B | Input Filter Register |
| | | Reserved |
| TMRB3_COMP1 | \$30 | Compare Register 1 |
| TMRB3_COMP2 | \$31 | Compare Register 2 |
| TMRB3_CAPT | \$32 | Capture Register |
| TMRB3_LOAD | \$33 | Load Register |
| TMRB3_HOLD | \$34 | Hold Register |
| TMRB3_CNTR | \$35 | Counter Register |
| TMRB3_CTRL | \$36 | Control Register |
| TMRB3_SCTRL | \$37 | Status and Control Register |
| TMRB3_CMPLD1 | \$38 | Comparator Load Register 1 |
| TMRB3_CMPLD2 | \$39 | Comparator Load Register 2 |
| TMRB3_CSCTRL | \$3A | Comparator Status and Control Register |
| TMRB3_FILTER | \$3B | Input Filter Register |
| | | Reserved |

**Table 4-11 Analog-to-Digital Converter Registers Address Map
(ADC_BASE = \$00 F080)**

| Register Acronym | Address Offset | Register Description |
|------------------|----------------|--------------------------------|
| ADC_CTRL1 | \$0 | Control Register 1 |
| ADC_CTRL2 | \$1 | Control Register 2 |
| ADC_ZXCTRL | \$2 | Zero Crossing Control Register |
| ADC_CLIST 1 | \$3 | Channel List Register 1 |
| ADC_CLIST 2 | \$4 | Channel List Register 2 |
| ADC_CLIST 3 | \$5 | Channel List Register 3 |
| ADC_CLIST 4 | \$6 | Channel List Register 4 |
| ADC_SDIS | \$7 | Sample Disable Register |
| ADC_STAT | \$8 | Status Register |
| ADC_RDY | \$9 | Conversion Ready Register |
| ADC_LIMSTAT | \$A | Limit Status Register |
| ADC_ZXSTAT | \$B | Zero Crossing Status Register |
| ADC_RSLT0 | \$C | Result Register 0 |
| ADC_RSLT1 | \$D | Result Register 1 |
| ADC_RSLT2 | \$E | Result Register 2 |
| ADC_RSLT3 | \$F | Result Register 3 |
| ADC_RSLT4 | \$10 | Result Register 4 |
| ADC_RSLT5 | \$11 | Result Register 5 |
| ADC_RSLT6 | \$12 | Result Register 6 |
| ADC_RSLT7 | \$13 | Result Register 7 |
| ADC_RSLT8 | \$14 | Result Register 8 |
| ADC_RSLT9 | \$15 | Result Register 9 |
| ADC_RSLT10 | \$16 | Result Register 10 |
| ADC_RSLT11 | \$17 | Result Register 11 |
| ADC_RSLT12 | \$18 | Result Register 12 |
| ADC_RSLT13 | \$19 | Result Register 13 |
| ADC_RSLT14 | \$1A | Result Register 14 |
| ADC_RSLT15 | \$1B | Result Register 15 |
| ADC_LOLIM0 | \$1C | Low Limit Register 0 |
| ADC_LOLIM1 | \$1D | Low Limit Register 1 |
| ADC_LOLIM2 | \$1E | Low Limit Register 2 |
| ADC_LOLIM3 | \$1F | Low Limit Register 3 |
| ADC_LOLIM4 | \$20 | Low Limit Register 4 |
| ADC_LOLIM5 | \$21 | Low Limit Register 5 |
| ADC_LOLIM6 | \$22 | Low Limit Register 6 |
| ADC_LOLIM7 | \$23 | Low Limit Register 7 |

**Table 4-11 Analog-to-Digital Converter Registers Address Map (Continued)
(ADC_BASE = \$00 F080)**

| Register Acronym | Address Offset | Register Description |
|------------------|----------------|------------------------|
| ADC_HILIM0 | \$24 | High Limit Register 0 |
| ADC_HILIM1 | \$25 | High Limit Register 1 |
| ADC_HILIM2 | \$26 | High Limit Register 2 |
| ADC_HILIM3 | \$27 | High Limit Register 3 |
| ADC_HILIM4 | \$28 | High Limit Register 4 |
| ADC_HILIM5 | \$29 | High Limit Register 5 |
| ADC_HILIM6 | \$2A | High Limit Register 6 |
| ADC_HILIM7 | \$2B | High Limit Register 7 |
| ADC_OFFST0 | \$2C | Offset Register 0 |
| ADC_OFFST1 | \$2D | Offset Register 1 |
| ADC_OFFST2 | \$2E | Offset Register 2 |
| ADC_OFFST3 | \$2F | Offset Register 3 |
| ADC_OFFST4 | \$30 | Offset Register 4 |
| ADC_OFFST5 | \$31 | Offset Register 5 |
| ADC_OFFST6 | \$32 | Offset Register 6 |
| ADC_OFFST7 | \$33 | Offset Register 7 |
| ADC_PWR | \$34 | Power Control Register |
| ADC_CAL | \$35 | Calibration Register |
| | | Reserved |

**Table 4-12 Pulse Width Modulator Registers Address Map
(PWM_BASE = \$00 F0C0)**

| Register Acronym | Address Offset | Register Description |
|------------------|----------------|-----------------------------------|
| PWM_CTRL | \$0 | Control Register |
| PWM_FCTRL | \$1 | Fault Control Register |
| PWM_FLTACK | \$2 | Fault Status Acknowledge Register |
| PWM_OUT | \$3 | Output Control Register |
| PWM_CNTR | \$4 | Counter Register |
| PWM_CMOD | \$5 | Counter Modulo Register |
| PWM_VAL0 | \$6 | Value Register 0 |
| PWM_VAL1 | \$7 | Value Register 1 |
| PWM_VAL2 | \$8 | Value Register 2 |
| PWM_VAL3 | \$9 | Value Register 3 |
| PWM_VAL4 | \$A | Value Register 4 |
| PWM_VAL5 | \$B | Value Register 5 |
| PWM_DTIM0 | \$C | Dead Time Register 0 |

**Table 4-12 Pulse Width Modulator Registers Address Map (Continued)
(PWM_BASE = \$00 F0C0)**

| Register Acronym | Address Offset | Register Description |
|------------------|----------------|--------------------------------------|
| PWM_DTIM1 | \$D | Dead Time Register 1 |
| PWM_DMAP1 | \$E | Disable Mapping Register 1 |
| PWM_DMAP2 | \$F | Disable Mapping Register 2 |
| PWM_CNFG | \$10 | Configure Register |
| PWM_CCTRL | \$11 | Channel Control Register |
| PWM_PORT | \$12 | Port Register |
| PWM_ICCTRL | \$13 | Internal Correction Control Register |
| PWM_SCTRL | \$14 | Source Control Register |
| PWM_SYNC | \$15 | Synchronization Window Register |
| PWM_FFILT0 | \$16 | Fault0 Filter Register |
| PWM_FFILT1 | \$17 | Fault1 Filter Register |
| PWM_FFILT2 | \$18 | Fault2 Filter Register |
| PWM_FFILT3 | \$19 | Fault3 Filter Register |

**Table 4-13 Interrupt Control Registers Address Map
(ITCN_BASE = \$00 F0E0)**

| Register Acronym | Address Offset | Register Description |
|------------------|----------------|---|
| ITCN_IPR0 | \$0 | Interrupt Priority Register 0 |
| ITCN_IPR1 | \$1 | Interrupt Priority Register 1 |
| ITCN_IPR2 | \$2 | Interrupt Priority Register 2 |
| ITCN_IPR3 | \$3 | Interrupt Priority Register 3 |
| ITCN_IPR4 | \$4 | Interrupt Priority Register 4 |
| ITCN_IPR5 | \$5 | Interrupt Priority Register 5 |
| ITCN_IPR6 | \$6 | Interrupt Priority Register 6 |
| ITCN_VBA | \$7 | Vector Base Address Register |
| ITCN_FIM0 | \$8 | Fast Interrupt Match 0 Register |
| ITCN_FIVAL0 | \$9 | Fast Interrupt Vector Address Low 0 Register |
| ITCN_FIVAH0 | \$A | Fast Interrupt Vector Address High 0 Register |
| ITCN_FIM1 | \$B | Fast Interrupt Match 1 Register |
| ITCN_FIVAL1 | \$C | Fast Interrupt Vector Address Low 1 Register |
| ITCN_FIVAH1 | \$D | Fast Interrupt Vector Address High 1 Register |
| ITCN_IRQP0 | \$E | IRQ Pending Register 0 |
| ITCN_IRQP1 | \$F | IRQ Pending Register 1 |
| ITCN_IRQP2 | \$10 | IRQ Pending Register 2 |

Table 4-13 Interrupt Control Registers Address Map (Continued)
(ITCN_BASE = \$00 F0E0)

| Register Acronym | Address Offset | Register Description |
|------------------|----------------|----------------------------|
| ITCN_IRQP3 | \$11 | IRQ Pending Register 3 |
| | | Reserved |
| ITCN_ICTRL | \$16 | Interrupt Control Register |
| | | Reserved |

Table 4-14 SIM Registers Address Map
(SIM_BASE = \$00 F100)

| Register Acronym | Address Offset | Register Description |
|------------------|----------------|---|
| SIM_CTRL | \$0 | Control Register |
| SIM_RSTAT | \$1 | Reset Status Register |
| SIM_SWC0 | \$2 | Software Control Register 0 |
| SIM_SWC1 | \$3 | Software Control Register 1 |
| SIM_SWC2 | \$4 | Software Control Register 2 |
| SIM_SWC3 | \$5 | Software Control Register 3 |
| SIM_MSHID | \$6 | Most Significant Half JTAG ID |
| SIM_LSHID | \$7 | Least Significant Half JTAG ID |
| SIM_PWR | \$8 | Power Control Register |
| | | Reserved |
| SIM_CLKOUT | \$A | Clock Out Select Register |
| SIM_PCR | \$B | Peripheral Clock Rate Register |
| SIM_PCE0 | \$C | Peripheral Clock Enable Register 0 |
| SIM_PCE1 | \$D | Peripheral Clock Enable Register 1 |
| SIM_SD0 | \$E | Peripheral STOP Disable Register 0 |
| SIM_SD1 | \$F | Peripheral STOP Disable Register 1 |
| SIM_IOSAHI | \$10 | I/O Short Address Location High Register |
| SIM_IOSALO | \$11 | I/O Short Address Location Low Register |
| SIM_PROT | \$12 | Protection Register |
| SIM_GPSA0 | \$13 | GPIO Peripheral Select Register 0 for GPIOA |
| SIM_GPSA1 | \$14 | GPIO Peripheral Select Register 1 for GPIOA |
| SIM_GPSB0 | \$15 | GPIO Peripheral Select Register 0 for GPIOB |
| SIM_GPSB1 | \$16 | GPIO Peripheral Select Register 1 for GPIOB |
| SIM_GPSCD | \$17 | GPIO Peripheral Select Register for GPIOC and GPIOD |
| SIM_IPS0 | \$18 | Internal Peripheral Source Select Register 0 for PWM |
| SIM_IPS1 | \$19 | Internal Peripheral Source Select Register 1 for DACs |
| SIM_IPS2 | \$1A | Internal Peripheral Source Select Register 2 for TMRA |
| | | Reserved |

**Table 4-15 Computer Operating Properly Registers Address Map
(COP_BASE = \$00 F120)**

| Register Acronym | Address Offset | Register Description |
|------------------|----------------|----------------------|
| COP_CTRL | \$0 | Control Register |
| COP_TOUT | \$1 | Time-Out Register |
| COP_CNTR | \$2 | Counter Register |

**Table 4-16 Clock Generation Module Registers Address Map
(OCCS_BASE = \$00 F130)**

| Register Acronym | Address Offset | Register Description |
|------------------|----------------|-----------------------------|
| OCCS_CTRL | \$0 | Control Register |
| OCCS_DIVBY | \$1 | Divide-By Register |
| OCCS_STAT | \$2 | Status Register |
| | | Reserved |
| OCCS_OCTRL | \$5 | Oscillator Control Register |
| OCCS_CLKCHK | \$6 | Clock Check Register |
| OCCS_PROT | \$7 | Protection Register |

**Table 4-17 Power Supervisor Registers Address Map
(PS_BASE = \$00 F140)**

| Register Acronym | Address Offset | Register Description |
|------------------|----------------|----------------------|
| PS_CTRL | \$0 | Control Register |
| PS_STAT | \$1 | Status Register |
| | | Reserved |

**Table 4-18 GPIOA Registers Address Map
(GPIOA_BASE = \$00 F150)**

| Register Acronym | Address Offset | Register Description |
|------------------|----------------|-----------------------------|
| GPIOA_PUPEN | \$0 | Pull-up Enable Register |
| GPIOA_DATA | \$1 | Data Register |
| GPIOA_DDIR | \$2 | Data Direction Register |
| GPIOA_PEREN | \$3 | Peripheral Enable Register |
| GPIOA_IASSRT | \$4 | Interrupt Assert Register |
| GPIOA_IEN | \$5 | Interrupt Enable Register |
| GPIOA_IPOL | \$6 | Interrupt Polarity Register |

Table 4-18 GPIOA Registers Address Map (Continued)
(GPIOA_BASE = \$00 F150)

| Register Acronym | Address Offset | Register Description |
|------------------|----------------|--|
| GPIOA_IPEND | \$7 | Interrupt Pending Register |
| GPIOA_IEDGE | \$8 | Interrupt Edge-Sensitive Register |
| GPIOA_PPOUTM | \$9 | Push-Pull Output Mode Control Register |
| GPIOA_RDATA | \$A | Raw Data Input Register |
| GPIOA_DRIVE | \$B | Output Drive Strength Control Register |

Table 4-19 GPIOB Registers Address Map
(GPIOB_BASE = \$00 F160)

| Register Acronym | Address Offset | Register Description |
|------------------|----------------|--|
| GPIOB_PUPEN | \$0 | Pull-up Enable Register |
| GPIOB_DATA | \$1 | Data Register |
| GPIOB_DDIR | \$2 | Data Direction Register |
| GPIOB_PEREN | \$3 | Peripheral Enable Register |
| GPIOB_IASSRT | \$4 | Interrupt Assert Register |
| GPIOB_IEN | \$5 | Interrupt Enable Register |
| GPIOB_IPOL | \$6 | Interrupt Polarity Register |
| GPIOB_IPEND | \$7 | Interrupt Pending Register |
| GPIOB_IEDGE | \$8 | Interrupt Edge-Sensitive Register |
| GPIOB_PPOUTM | \$9 | Push-Pull Output Mode Control Register |
| GPIOB_RDATA | \$A | Raw Data Input Register |
| GPIOB_DRIVE | \$B | Output Drive Strength Control Register |

Table 4-20 GPIOC Registers Address Map
(GPIOC_BASE = \$00 F170)

| Register Acronym | Address Offset | Register Description |
|------------------|----------------|--|
| GPIOC_PUPEN | \$0 | Pull-up Enable Register |
| GPIOC_DATA | \$1 | Data Register |
| GPIOC_DDIR | \$2 | Data Direction Register |
| GPIOC_PEREN | \$3 | Peripheral Enable Register |
| GPIOC_IASSRT | \$4 | Interrupt Assert Register |
| GPIOC_IEN | \$5 | Interrupt Enable Register |
| GPIOC_IPOL | \$6 | Interrupt Polarity Register |
| GPIOC_IPEND | \$7 | Interrupt Pending Register |
| GPIOC_IEDGE | \$8 | Interrupt Edge-Sensitive Register |
| GPIOC_PPOUTM | \$9 | Push-Pull Output Mode Control Register |
| GPIOC_RDATA | \$A | Raw Data Input Register |
| GPIOC_DRIVE | \$B | Output Drive Strength Control Register |

**Table 4-21 GPIO Registers Address Map
(GPIOD_BASE = \$00 F180)**

| Register Acronym | Address Offset | Register Description |
|------------------|----------------|--|
| GPIOD_PUPEN | \$0 | Pull-up Enable Register |
| GPIOD_DATA | \$1 | Data Register |
| GPIOD_DIR | \$2 | Data Direction Register |
| GPIOD_PEREN | \$3 | Peripheral Enable Register |
| GPIOD_IASSRT | \$4 | Interrupt Assert Register |
| GPIOD_IEN | \$5 | Interrupt Enable Register |
| GPIOD_IPOL | \$6 | Interrupt Polarity Register |
| GPIOD_IPEND | \$7 | Interrupt Pending Register |
| GPIOD_IEDGE | \$8 | Interrupt Edge-Sensitive Register |
| GPIOD_PPOUTM | \$9 | Push-Pull Output Mode Control Register |
| GPIOD_RDATA | \$A | Raw Data Input Register |
| GPIOD_DRIVE | \$B | Output Drive Strength Control Register |

**Table 4-22 Programmable Interval Timer 0 Registers Address Map
(PIT0_BASE = \$00 F190)**

| Register Acronym | Address Offset | Register Description |
|------------------|----------------|----------------------|
| PIT0_CTRL | \$0 | Control Register |
| PIT0_MOD | \$1 | Modulo Register |
| PIT0_CNTR | \$2 | Counter Register |

**Table 4-23 Programmable Interval Timer 1 Registers Address Map
(PIT1_BASE = \$00 F1A0)**

| Register Acronym | Address Offset | Register Description |
|------------------|----------------|----------------------|
| PIT1_CTRL | \$0 | Control Register |
| PIT1_MOD | \$1 | Modulo Register |
| PIT1_CNTR | \$2 | Counter Register |

**Table 4-24 Programmable Interval Timer 2 Registers Address Map
(PIT2_BASE = \$00 F1B0)**

| Register Acronym | Address Offset | Register Description |
|------------------|----------------|----------------------|
| PIT2_CTRL | \$0 | Control Register |
| PIT2_MOD | \$1 | Modulo Register |

Table 4-24 Programmable Interval Timer 2 Registers Address Map (Continued)
(PIT2_BASE = \$00 F1B0)

| Register Acronym | Address Offset | Register Description |
|------------------|----------------|----------------------|
| PIT2_CNTR | \$2 | Counter Register |

Table 4-25 Digital-to-Analog Converter 0 Registers Address Map
(DAC0_BASE = \$00 F1C0)

| Register Acronym | Address Offset | Register Description |
|------------------|----------------|------------------------|
| DAC0_CTRL | \$0 | Control Register |
| DAC0_DATA | \$1 | Data Register |
| DAC0_STEP | \$2 | Step Register |
| DAC0_MINVAL | \$3 | Minimum Value Register |
| DAC0_MAXVAL | \$4 | Maximum Value Register |

Table 4-26 Digital-to-Analog Converter 0 Registers Address Map
(DAC1_BASE = \$00 F1D0)

| Register Acronym | Address Offset | Register Description |
|------------------|----------------|------------------------|
| DAC1_CTRL | \$0 | Control Register |
| DAC1_DATA | \$1 | Data Register |
| DAC1_STEP | \$2 | Step Register |
| DAC1_MINVAL | \$3 | Minimum Value Register |
| DAC1_MAXVAL | \$4 | Maximum Value Register |

Table 4-27 Comparator A Registers Address Map
(CMPA_BASE = \$00 F1E0)

| Register Acronym | Address Offset | Register Description |
|------------------|----------------|----------------------|
| CMPA_CTRL | \$0 | Control Register |
| CMPA_STAT | \$1 | Status Register |
| CMPA_FILT | \$2 | Filter Register |

Table 4-28 Comparator B Registers Address Map
(CMPB_BASE = \$00 F1F0)

| Register Acronym | Address Offset | Register Description |
|------------------|----------------|----------------------|
| CMPB_CTRL | \$0 | Control Register |
| CMPB_STAT | \$1 | Status Register |
| CMPB_FILT | \$2 | Filter Register |

Table 4-29 Queued Serial Communication Interface 0 Registers Address Map (QSCI0_BASE = \$00 F200)

| Register Acronym | Address Offset | Register Description |
|------------------|----------------|----------------------|
| QSCI0_RATE | \$0 | Baud Rate Register |
| QSCI0_CTRL1 | \$1 | Control Register 1 |
| QSCI0_CTRL2 | \$2 | Control Register 2 |
| QSCI0_STAT | \$3 | Status Register |
| QSCI0_DATA | \$4 | Data Register |

Table 4-30 Queued Serial Communication Interface 1 Registers Address Map (QSCI1_BASE = \$00 F210)

| Register Acronym | Address Offset | Register Description |
|------------------|----------------|----------------------|
| QSCI1_RATE | \$0 | Baud Rate Register |
| QSCI1_CTRL1 | \$1 | Control Register 1 |
| QSCI1_CTRL2 | \$2 | Control Register 2 |
| QSCI1_STAT | \$3 | Status Register |
| QSCI1_DATA | \$4 | Data Register |

Table 4-31 Queued Serial Peripheral Interface 0 Registers Address Map (QSPI0_BASE = \$00 F220)

| Register Acronym | Address Offset | Register Description |
|------------------|----------------|--------------------------------|
| QSPI0_SCTRL | \$0 | Status and Control Register |
| QSPI0_DSCTRL | \$1 | Data Size and Control Register |
| QSPI0_DRCV | \$2 | Data Receive Register |
| QSPI0_DXMIT | \$3 | Data Transmit Register |
| QSPI0_FIFO | \$4 | FIFO Control Register |
| QSPI0_DELAY | \$5 | Delay Register |

Table 4-32 Queued Serial Peripheral Interface 1 Registers Address Map (QSPI1_BASE = \$00 F230)

| Register Acronym | Address Offset | Register Description |
|------------------|----------------|--------------------------------|
| QSPI1_SCTRL | \$0 | Status and Control Register |
| QSPI1_DSCTRL | \$1 | Data Size and Control Register |
| QSPI1_DRCV | \$2 | Data Receive Register |
| QSPI1_DXMIT | \$3 | Data Transmit Register |
| QSPI1_FIFO | \$4 | FIFO Control Register |

**Table 4-32 Queued Serial Peripheral Interface 1 Registers Address Map
(QSPI1_BASE = \$00 F230)**

| Register Acronym | Address Offset | Register Description |
|------------------|----------------|----------------------|
| QSPI1_DELAY | \$5 | Delay Register |

**Table 4-33 I²C Registers Address Map
(I2C_BASE = \$00 F280)**

| Register Acronym | Address Offset | Register Description |
|------------------|----------------|---|
| I2C_CTRL | \$0 | Control Register |
| I2C_TAR | \$2 | Target Address Register |
| I2C_SAR | \$4 | Slave Address Register |
| I2C_DATA | \$8 | RX/TX Data Buffer and Command Register |
| I2C_SSHCNT | \$A | Standard Speed Clock SCL High Count Register |
| I2C_SSLCNT | \$C | Standard Speed Clock SCL Low Count Register |
| I2C_FSHCNT | \$E | Fast Speed Clock SCL High Count Register |
| I2C_FSLCNT | \$10 | Fast Speed Clock SCL Low Count Register |
| I2C_ISTAT | \$16 | Interrupt Status Register |
| I2C_IMASK | \$18 | Interrupt Mask Register |
| I2C_RISTAT | \$1A | Raw Interrupt Status Register |
| I2C_RXFT | \$1C | Receive FIFO Threshold Register |
| I2C_TXFT | \$1E | Transmit FIFO Threshold Register |
| I2C_CLRINT | \$20 | Clear Combined and Individual Interrupts Register |
| I2C_CLRRXUND | \$22 | Clear RX_UNDER Interrupt Register |
| I2C_CLRRXOVR | \$24 | Clear RX_OVER Interrupt Register |
| I2C_CLRTXOVR | \$26 | Clear TX_OVER Interrupt Register |
| I2C_CLRRDREQ | \$28 | Clear RD_REQ Interrupt Register |
| I2C_CLRTXABRT | \$2A | Clear TX_ABRT Interrupt Register |
| I2C_CLRRXDONE | \$2C | Clear RX_DONE Interrupt Register |
| I2C_CLRACT | \$2E | Clear Activity Interrupt Register |
| I2C_CLRSTPDET | \$30 | Clear STOP_DET Interrupt Register |
| I2C_CLRSTDET | \$32 | Clear START_DET Interrupt Register |
| I2C_CLRGC | \$34 | Clear GEN_CALL Interrupt Register |
| I2C_ENBL | \$36 | Enable Register |
| I2C_STAT | \$38 | Status Register |
| I2C_TXFLR | \$3A | Transmit FIFO Level Register |
| I2C_RXFLR | \$3C | Receive FIFO Level Register |
| I2C_TXABRTSRC | \$40 | Transmit Abort Status Register |

**Table 4-34 Flash Module Registers Address Map
(FM_BASE = \$00 F400)**

| Register Acronym | Address Offset | Register Description |
|------------------|----------------|-------------------------------|
| FM_CLKDIV | \$0 | Clock Divider Register |
| FM_CNFG | \$1 | Configuration Register |
| | \$2 | Reserved |
| FM_SECHI | \$3 | Security High Half Register |
| FM_SECLO | \$4 | Security Low Half Register |
| | \$5 - \$9 | Reserved |
| FM_PROT | \$10 | Protection Register |
| | \$11 - \$12 | Reserved |
| FM_USTAT | \$13 | User Status Register |
| FM_CMD | \$14 | Command Register |
| | \$15 - \$17 | Reserved |
| FM_DATA | \$18 | Data Buffer Register |
| | \$19 - \$A | Reserved |
| FM_OPT1 | \$1B | Information Option Register 1 |
| | \$1C | Reserved |
| FM_TSTSIG | \$1D | Test Array Signature Register |

**Table 4-35 MSCAN Registers Address Map
(MSCAN_BASE = \$00 F800)**

| Register Acronym | Address Offset | Register Description |
|------------------|----------------|--|
| MSCAN_CTRL0 | \$00 | Control Register 0 |
| MSCAN_CTRL1 | \$01 | Control Register 1 |
| MSCAN_BTR0 | \$02 | Bus Timing Register 0 |
| MSCAN_BTR1 | \$03 | Bus Timing Register 1 |
| MSCAN_RFLG | \$04 | Receiver Flag Register |
| MSCAN_RIER | \$05 | Receiver Interrupt Enable Register |
| MSCAN_TFLG | \$06 | Transmitter Flag Register |
| MSCAN_TIER | \$07 | Transmitter Interrupt Enable Register |
| MSCAN_TARQ | \$08 | Transmitter Message Abort Request Register |
| MSCAN_TAAK | \$09 | Transmitter Message Abort Acknowledge Register |
| MSCAN_TBSEL | \$0A | Transmitter Buffer Selection Register |
| MSCAN_IDAC | \$0B | Identifier Acceptance Control Register |
| | | Reserved |
| MSCAN_MISC | \$0D | Miscellaneous Register |
| MSCAN_RXERR | \$0E | Receive Error Register |
| MSCAN_TXERR | \$0F | Transmit Error Register |

Table 4-35 MSCAN Registers Address Map (Continued)
(MSCAN_BASE = \$00 F800)

| Register Acronym | Address Offset | Register Description |
|------------------|----------------|----------------------------------|
| MSCAN_IDAR0 | \$10 | Identifier Acceptance Register 0 |
| MSCAN_IDAR1 | \$11 | Identifier Acceptance Register 1 |
| MSCAN_IDAR2 | \$12 | Identifier Acceptance Register 2 |
| MSCAN_IDAR3 | \$13 | Identifier Acceptance Register 3 |
| MSCAN_IDMR0 | \$14 | Identifier Mask Register 0 |
| MSCAN_IDMR1 | \$15 | Identifier Mask Register 1 |
| MSCAN_IDMR2 | \$16 | Identifier Mask Register 2 |
| MSCAN_IDMR3 | \$17 | Identifier Mask Register 3 |
| MSCAN_IDAR4 | \$18 | Identifier Acceptance Register 4 |
| MSCAN_IDAR5 | \$19 | Identifier Acceptance Register 5 |
| MSCAN_IDAR6 | \$1A | Identifier Acceptance Register 6 |
| MSCAN_IDAR7 | \$1B | Identifier Acceptance Register 7 |
| MSCAN_IDMR4 | \$1C | Identifier Mask Register 4 |
| MSCAN_IDMR5 | \$1D | Identifier Mask Register 5 |
| MSCAN_IDMR6 | \$1E | Identifier Mask Register 6 |
| MSCAN_IDMR7 | \$1F | Identifier Mask Register 7 |
| MSCAN_RXFG0 | \$20 | Foreground Receive Buffer 0 |
| MSCAN_RXFG1 | \$21 | Foreground Receive Buffer 1 |
| MSCAN_RXFG2 | \$22 | Foreground Receive Buffer 2 |
| MSCAN_RXFG3 | \$23 | Foreground Receive Buffer 3 |
| MSCAN_RXFG4 | \$24 | Foreground Receive Buffer 4 |
| MSCAN_RXFG5 | \$25 | Foreground Receive Buffer 5 |
| MSCAN_RXFG6 | \$26 | Foreground Receive Buffer 6 |
| MSCAN_RXFG7 | \$27 | Foreground Receive Buffer 7 |
| MSCAN_RXFG8 | \$28 | Foreground Receive Buffer 8 |
| MSCAN_RXFG9 | \$29 | Foreground Receive Buffer 9 |
| MSCAN_RXFG10 | \$2A | Foreground Receive Buffer 10 |
| MSCAN_RXFG11 | \$2B | Foreground Receive Buffer 11 |
| MSCAN_RXFG12 | \$2C | Foreground Receive Buffer 12 |
| MSCAN_RXFG13 | \$2D | Foreground Receive Buffer 13 |
| MSCAN_RXFG14 | \$2E | Foreground Receive Buffer 14 |
| MSCAN_RXFG15 | \$2F | Foreground Receive Buffer 15 |
| MSCAN_TXFG0 | \$30 | Foreground Transmit Buffer 0 |
| MSCAN_TXFG1 | \$31 | Foreground Transmit Buffer 1 |
| MSCAN_TXFG2 | \$32 | Foreground Transmit Buffer 2 |
| MSCAN_TXFG3 | \$33 | Foreground Transmit Buffer 3 |

Table 4-35 MSCAN Registers Address Map (Continued)
(MSCAN_BASE = \$00 F800)

| Register Acronym | Address Offset | Register Description |
|------------------|----------------|-------------------------------|
| MSCAN_TXFG4 | \$34 | Foreground Transmit Buffer 4 |
| MSCAN_TXFG5 | \$35 | Foreground Transmit Buffer 5 |
| MSCAN_TXFG6 | \$36 | Foreground Transmit Buffer 6 |
| MSCAN_TXFG7 | \$37 | Foreground Transmit Buffer 7 |
| MSCAN_TXFG8 | \$38 | Foreground Transmit Buffer 8 |
| MSCAN_TXFG9 | \$39 | Foreground Transmit Buffer 9 |
| MSCAN_TXFG10 | \$3A | Foreground Transmit Buffer 10 |
| MSCAN_TXFG11 | \$3B | Foreground Transmit Buffer 11 |
| MSCAN_TXFG12 | \$3C | Foreground Transmit Buffer 12 |
| MSCAN_TXFG13 | \$3D | Foreground Transmit Buffer 13 |
| MSCAN_TXFG14 | \$3E | Foreground Transmit Buffer 14 |
| MSCAN_TXFG15 | \$3F | Foreground Transmit Buffer 15 |
| | | Reserved |

Part 5 Interrupt Controller (ITCN)

5.1 Introduction

The Interrupt Controller (ITCN) module arbitrates between various interrupt requests (IRQs), signals to the 56800E core when an interrupt of sufficient priority exists, and to what address to jump in order to service this interrupt.

5.2 Features

The ITCN module design includes these distinctive features:

- Programmable priority levels for each IRQ
- Two programmable Fast Interrupts
- Notification to SIM module to restart clocks out of Wait and Stop modes
- Ability to drive initial address on the address bus after reset

For further information, see [Table 4-2](#), Interrupt Vector Table Contents.

5.3 Functional Description

The Interrupt Controller is a slave on the IPBus. It contains registers that allow each of the 64 interrupt sources to be set to one of four priority levels (excluding certain interrupts that are of fixed priority). Next, all of the interrupt requests of a given level are priority encoded to determine the lowest numerical value of the active interrupt requests for that level. Within a given priority level, number 0 is the highest priority and number 63 is the lowest.

5.3.1 Normal Interrupt Handling

Once the INTC has determined that an interrupt is to be serviced and which interrupt has the highest priority, an interrupt vector address is generated. Normal interrupt handling concatenates the Vector Base Address (VBA) and the vector number to determine the vector address, generating an offset into the vector table for each interrupt.

5.3.2 Interrupt Nesting

Interrupt exceptions may be nested to allow an IRQ of higher priority than the current exception to be serviced. The 56800E core controls the masking of interrupt priority levels it will accept by setting the I0 and I1 bits in its status register.

Table 5-1 Interrupt Mask Bit Definition

| SR[9] (I1) | SR[8] (I0) | Exceptions Permitted | Exceptions Masked |
|------------|------------|-----------------------|--------------------|
| 0 | 0 | Priorities 0, 1, 2, 3 | None |
| 0 | 1 | Priorities 1, 2, 3 | Priority 0 |
| 1 | 0 | Priorities 2, 3 | Priorities 0, 1 |
| 1 | 1 | Priority 3 | Priorities 0, 1, 2 |

The IPIC bits of the ICTRL register reflect the state of the priority level being presented to the 56800E core.

Table 5-2 Interrupt Priority Encoding

| IPIC_VALUE[1:0] | Current Interrupt Priority Level | Required Nested Exception Priority |
|-----------------|----------------------------------|------------------------------------|
| 00 | No interrupt or SWILP | Priorities 0, 1, 2, 3 |
| 01 | Priority 0 | Priorities 1, 2, 3 |
| 10 | Priority 1 | Priorities 2, 3 |
| 11 | Priority 2 or 3 | Priority 3 |

5.3.3 Fast Interrupt Handling

Fast interrupts are described in the **DSP56800E Reference Manual**. The interrupt controller recognizes Fast Interrupts before the core does.

A Fast Interrupt is defined (to the ITCN) by:

1. Setting the priority of the interrupt as level 2, with the appropriate field in the IPR registers
2. Setting the FIM n register to the appropriate vector number

3. Setting the FIVAL n and FIVAH n registers with the address of the code for the Fast Interrupt

When an interrupt occurs, its vector number is compared with the FIM0 and FIM1 register values. If a match occurs, and it is a level 2 interrupt, the ITCN handles it as a Fast Interrupt. The ITCN takes the vector address from the appropriate FIVAL n and FIVAH n registers, instead of generating an address that is an offset from the VBA.

The core then fetches the instruction from the indicated vector address and if it is not a JSR, the core starts its Fast Interrupt handling.

5.4 Block Diagram

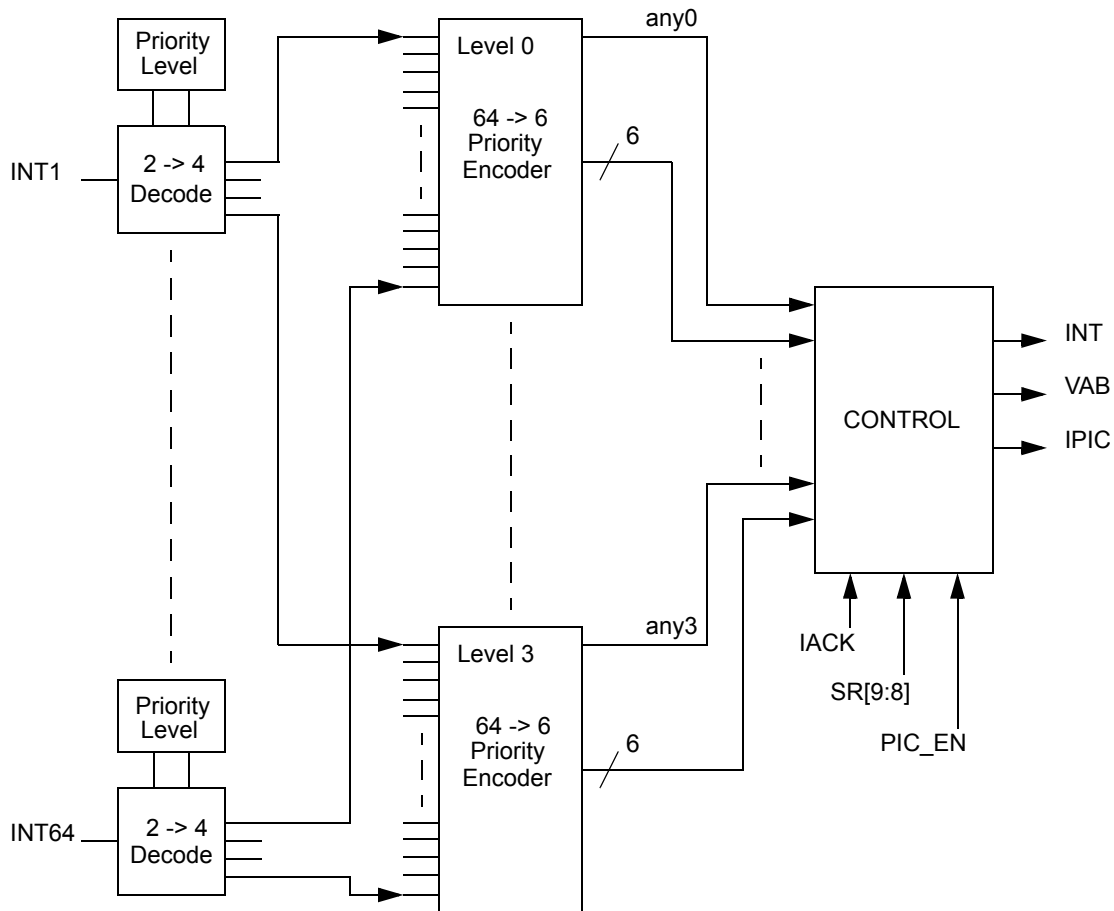


Figure 5-1 Interrupt Controller Block Diagram

5.5 Operating Modes

The ITCN module design contains two major modes of operation:

- **Functional Mode**
The ITCN is in this mode by default.
- **Wait and Stop Modes**
During Wait and Stop modes, the system clocks and the 56800E core are turned off. The ITCN will signal a pending IRQ to the System Integration Module (SIM) to restart the clocks and service the IRQ. An IRQ can only wake up the core if the IRQ is enabled prior to entering the Wait or Stop mode.

5.6 Register Descriptions

A register address is the sum of a base address and an address offset. The base address is defined at the system level and the address offset is defined at the module level.

**Table 5-3 ITCN Register Summary
(ITCN_BASE = \$00 F0E0)**

| Register Acronym | Base Address + | Register Name | Section Location |
|------------------|----------------|---|------------------------|
| IPR0 | \$0 | Interrupt Priority Register 0 | 5.6.1 |
| IPR1 | \$1 | Interrupt Priority Register 1 | 5.6.2 |
| IPR2 | \$2 | Interrupt Priority Register 2 | 5.6.3 |
| IPR3 | \$3 | Interrupt Priority Register 3 | 5.6.4 |
| IPR4 | \$4 | Interrupt Priority Register 4 | 5.6.5 |
| IPR5 | \$5 | Interrupt Priority Register 5 | 5.6.6 |
| IPR6 | \$6 | Interrupt Priority Register 6 | 5.6.7 |
| VBA | \$7 | Vector Base Address Register | 5.6.8 |
| FIM0 | \$8 | Fast Interrupt Match 0 Register | 5.6.9 |
| FIVAL0 | \$9 | Fast Interrupt 0 Vector Address Low Register | 5.6.10 |
| FIVAH0 | \$A | Fast Interrupt 0 Vector Address High 0 Register | 5.6.11 |
| FIM1 | \$B | Fast Interrupt Match 1 Register | 5.6.12 |
| FIVAL1 | \$C | Fast Interrupt 1 Vector Address Low Register | 5.6.13 |
| FIVAH1 | \$D | Fast Interrupt 1 Vector Address High Register | 5.6.14 |
| IRQP0 | \$E | IRQ Pending Register 0 | 5.6.15 |
| IRQP1 | \$F | IRQ Pending Register 1 | 5.6.16 |
| IRQP2 | \$10 | IRQ Pending Register 2 | 5.6.17 |
| IRQP3 | \$11 | IRQ Pending Register 3 | 5.6.18 |
| | | Reserved | |
| ICTRL | \$16 | Interrupt Control Register | 5.6.19 |
| | | Reserved | |

| Add. Offset | Register Name | | 15 | 14 | 13 | 12 | 11 | 10 | 9 | 8 | 7 | 6 | 5 | 4 | 3 | 2 | 1 | 0 |
|-------------|---------------|---|-------------------------------------|------|---------------------|-----|------------------|----|----------------|---|----------------|---------|------------------|---|--------------------------------------|---|----------------|---|
| \$0 | IPR0 | R | PLL IPL | | LVI IPL | | 0 | 0 | RX_REG IPL | | TX_REG IPL | | TRBUF IPL | | BKPT_U IPL | | STPCNT IPL | |
| | | W | | | | | | | | | | | | | | | | |
| \$1 | IPR1 | R | GPIOD IPL | | MSCAN_WK UP IPL | | MSCAN_TX IPL | | MSCAN_RX IPL | | MSCAN_ERR IPL | | FM_CBE IPL | | FM_CC IPL | | FM_ERR IPL | |
| | | W | | | | | | | | | | | | | | | | |
| \$2 | IPR2 | R | QSCI0_XMIT IPL | | QSPI1_XMIT IPL | | QSPI1_RCV IPL | | QSPI0_XMIT IPL | | QSPI0_RCV IPL | | GPIOA IPL | | GPIOB IPL | | GPIOC IPL | |
| | | W | | | | | | | | | | | | | | | | |
| \$3 | IPR3 | R | I2C_ERR IPL | | QSCI1_RCV IPL | | QSCI1_RERR R IPL | | QSCI1_TIDL IPL | | QSCI1_XMIT IPL | | QSCI0_RCV IPL | | QSCI0_RERR IPL | | QSCI0_TIDL IPL | |
| | | W | | | | | | | | | | | | | | | | |
| \$4 | IPR4 | R | TMRA_3 IPL | | TMRA_2 IPL | | TMRA_1 IPL | | TMRA_0 IPL | | I2C_STAT IPL | | I2C_TX IPL | | I2C_RX IPL | | I2C_GEN IPL | |
| | | W | | | | | | | | | | | | | | | | |
| \$5 | IPR5 | R | PIT1 IPL | | PIT0 IPL | | COMPB IPL | | COMPA IPL | | TMRB_3 IPL | | TMRB_2 IPL | | TMRB_1 IPL | | TMRB_0 IPL | |
| | | W | | | | | | | | | | | | | | | | |
| \$6 | IPR6 | R | 0 | 0 | 0 | 0 | PWM_F IPL | | PWM_RL IPL | | ADC_ZC IPL | | ADCB_CC IPL | | ADCA_CC IPL | | PIT2 IPL | |
| | | W | | | | | | | | | | | | | | | | |
| \$7 | VBA | R | 0 | 0 | VECTOR_BASE_ADDRESS | | | | | | | | | | | | | |
| | | W | | | | | | | | | | | | | | | | |
| \$8 | FIM0 | R | 0 | 0 | 0 | 0 | 0 | 0 | 0 | 0 | 0 | 0 | FAST INTERRUPT 0 | | | | | |
| | | W | | | | | | | | | | | | | | | | |
| \$9 | FIVAL0 | R | FAST INTERRUPT 0 VECTOR ADDRESS LOW | | | | | | | | | | | | | | | |
| | | W | | | | | | | | | | | | | | | | |
| \$A | FIVAH0 | R | 0 | 0 | 0 | 0 | 0 | 0 | 0 | 0 | 0 | 0 | 0 | 0 | FAST INTERRUPT 0 VECTOR ADDRESS HIGH | | | |
| | | W | | | | | | | | | | | | | | | | |
| \$B | FIM1 | R | 0 | 0 | 0 | 0 | 0 | 0 | 0 | 0 | 0 | 0 | FAST INTERRUPT 1 | | | | | |
| | | W | | | | | | | | | | | | | | | | |
| \$C | FIVAL1 | R | FAST INTERRUPT 1 VECTOR ADDRESS LOW | | | | | | | | | | | | | | | |
| | | W | | | | | | | | | | | | | | | | |
| \$D | FIVAH1 | R | 0 | 0 | 0 | 0 | 0 | 0 | 0 | 0 | 0 | 0 | 0 | 0 | FAST INTERRUPT 1 VECTOR ADDRESS HIGH | | | |
| | | W | | | | | | | | | | | | | | | | |
| \$E | IRQP0 | R | PENDING[16:2] | | | | | | | | | | | | | | | |
| | | W | | | | | | | | | | | | | | | | |
| \$F | IRQP1 | R | PENDING[32:17] | | | | | | | | | | | | | | | |
| | | W | | | | | | | | | | | | | | | | |
| \$10 | IRQP2 | R | PENDING[48:33] | | | | | | | | | | | | | | | |
| | | W | | | | | | | | | | | | | | | | |
| \$11 | IRQP3 | R | PENDING[63:49] | | | | | | | | | | | | | | | |
| | | W | | | | | | | | | | | | | | | | |
| Reserved | | | | | | | | | | | | | | | | | | |
| \$16 | ICTRL | R | INT | IPIC | | VAB | | | | | | INT_DIS | 1 | 1 | 1 | 0 | 0 | |
| | | W | | | | | | | | | | | | | | | | |
| Reserved | | | | | | | | | | | | | | | | | | |

= Reserved

Figure 5-2 ITCN Register Map Summary

5.6.1 Interrupt Priority Register 0 (IPR0)

| Base + \$0 | 15 | 14 | 13 | 12 | 11 | 10 | 9 | 8 | 7 | 6 | 5 | 4 | 3 | 2 | 1 | 0 |
|------------|---------|----|---------|----|----|----|------------|---|------------|---|-----------|---|------------|---|------------|---|
| Read | PLL IPL | | LVI IPL | | 0 | 0 | RX_REG IPL | | TX_REG IPL | | TRBUF IPL | | BKPT_U IPL | | STPCNT IPL | |
| Write | | | | | | | | | | | | | | | | |
| RESET | 0 | 0 | 0 | 0 | 0 | 0 | 0 | 0 | 0 | 0 | 0 | 0 | 0 | 0 | 0 | 0 |

Figure 5-3 Interrupt Priority Register 0 (IPR0)

5.6.1.1 PLL Loss of Reference or Change in Lock Status Interrupt Priority Level (PLL IPL)—Bits 15–14

This field is used to set the interrupt priority levels for the PLL Loss of Reference or Change in Lock Status IRQ. This IRQ is limited to priorities 1 through 3. It is disabled by default.

- 00 = IRQ disabled (default)
- 01 = IRQ is priority level 1
- 10 = IRQ is priority level 2
- 11 = IRQ is priority level 3

5.6.1.2 Low Voltage Detector Interrupt Priority Level (LVI IPL)—Bits 13–12

This field is used to set the interrupt priority levels for the Low Voltage Detector IRQ. This IRQ is limited to priorities 1 through 3 and is disabled by default.

- 00 = IRQ disabled (default)
- 01 = IRQ is priority level 1
- 10 = IRQ is priority level 2
- 11 = IRQ is priority level 3

5.6.1.3 Reserved—Bits 11–10

This bit field is reserved. Each bit must be set to 0.

5.6.1.4 EOnCE Receive Register Full Interrupt Priority Level (RX_REG IPL)— Bits 9–8

This field is used to set the interrupt priority level for the EOnCE Receive Register Full IRQ. This IRQ is limited to priorities 1 through 3. It is disabled by default.

- 00 = IRQ disabled (default)
- 01 = IRQ is priority level 1
- 10 = IRQ is priority level 2
- 11 = IRQ is priority level 3

5.6.1.5 EOnCE Transmit Register Empty Interrupt Priority Level (TX_REG IPL)— Bits 7–6

This field is used to set the interrupt priority level for the EOnCE Transmit Register Empty IRQ. This IRQ is limited to priorities 1 through 3. It is disabled by default.

- 00 = IRQ disabled (default)
- 01 = IRQ is priority level 1
- 10 = IRQ is priority level 2
- 11 = IRQ is priority level 3

5.6.1.6 EOnCE Trace Buffer Interrupt Priority Level (TRBUF IPL)— Bits 5–4

This field is used to set the interrupt priority level for the EOnCE Trace Buffer IRQ. This IRQ is limited to priorities 1 through 3. It is disabled by default.

- 00 = IRQ disabled (default)
- 01 = IRQ is priority level 1
- 10 = IRQ is priority level 2
- 11 = IRQ is priority level 3

5.6.1.7 EOnCE Breakpoint Unit Interrupt Priority Level (BKPT_U IPL)— Bits 3–2

This field is used to set the interrupt priority level for the EOnCE Breakpoint Unit IRQ. This IRQ is limited to priorities 1 through 3. It is disabled by default.

- 00 = IRQ disabled (default)
- 01 = IRQ is priority level 1
- 10 = IRQ is priority level 2
- 11 = IRQ is priority level 3

5.6.1.8 EOnCE Step Counter Interrupt Priority Level (STPCNT IPL)— Bits 1–0

This field is used to set the interrupt priority level for the EOnCE Step Counter IRQ. This IRQ is limited to priorities 1 through 3. It is disabled by default.

- 00 = IRQ disabled (default)
- 01 = IRQ is priority level 1
- 10 = IRQ is priority level 2
- 11 = IRQ is priority level 3

5.6.2 Interrupt Priority Register 1 (IPR1)

| Base + \$1 | 15 | 14 | 13 | 12 | 11 | 10 | 9 | 8 | 7 | 6 | 5 | 4 | 3 | 2 | 1 | 0 |
|------------|-----------|----|--------------------|----|-----------------|----|-----------------|---|------------------|---|------------|---|-----------|---|------------|---|
| Read | GPIOD IPL | | MSCAN_WK UP IPL | | MSCAN_TX IPL | | MSCAN_RX IPL | | MSCAN_ERR IPL | | FM_CBE IPL | | FM_CC IPL | | FM_ERR IPL | |
| Write | | | | | | | | | | | | | | | | |
| RESET | 0 | 0 | 0 | 0 | 0 | 0 | 0 | 0 | 0 | 0 | 0 | 0 | 0 | 0 | 0 | 0 |

Figure 5-4 Interrupt Priority Register 1 (IPR1)

5.6.2.1 GPIOD Interrupt Priority Level (GPIOD IPL)—Bits 15–14

This field is used to set the interrupt priority level for the GPIOD IRQ. This IRQ is limited to priorities 0 through 2. It is disabled by default.

- 00 = IRQ disabled (default)
- 01 = IRQ is priority level 0
- 10 = IRQ is priority level 1
- 11 = IRQ is priority level 2

5.6.2.2 MSCAN Wake Up Interrupt Priority Level (MSCAN_WKUP IPL)—Bits 13–12

This field is used to set the interrupt priority level for the MSCAN Wake Up IRQ. This IRQ is limited to priorities 0 through 2. It is disabled by default.

- 00 = IRQ disabled (default)
- 01 = IRQ is priority level 0
- 10 = IRQ is priority level 1
- 11 = IRQ is priority level 2

5.6.2.3 MSCAN Transmit Interrupt Priority Level (MSCAN_TX IPL)—Bits 11–10

This field is used to set the interrupt priority level for the MSCAN Transmit IRQ. This IRQ is limited to priorities 0 through 2. It is disabled by default.

- 00 = IRQ disabled (default)
- 01 = IRQ is priority level 0
- 10 = IRQ is priority level 1
- 11 = IRQ is priority level 2

5.6.2.4 MSCAN Receive Interrupt Priority Level (MSCAN_RX IPL)—Bits 9–8

This field is used to set the interrupt priority level for MSCAN Receive IRQ. This IRQ is limited to priorities 0 through 2. It is disabled by default.

- 00 = IRQ disabled (default)
- 01 = IRQ is priority level 0
- 10 = IRQ is priority level 1



- 11 = IRQ is priority level 2

5.6.2.5 MSCAN Error Interrupt Priority Level (MSCAN_ERR IPL)—Bits 7–6

This field is used to set the interrupt priority level for the MSCAN Error IRQ. This IRQ is limited to priorities 0 through 2. It is disabled by default.

- 00 = IRQ disabled (default)
- 01 = IRQ is priority level 0
- 10 = IRQ is priority level 1
- 11 = IRQ is priority level 2

5.6.2.6 FM Command, Data, Address Buffers Empty Interrupt Priority Level (FM_CBE IPL)—Bits 5–4

This field is used to set the interrupt priority level for the FM Command, Data Address Buffers Empty IRQ. This IRQ is limited to priorities 0 through 2. It is disabled by default.

- 00 = IRQ disabled (default)
- 01 = IRQ is priority level 0
- 10 = IRQ is priority level 1
- 11 = IRQ is priority level 2

5.6.2.7 FM Command Complete Interrupt Priority Level (FM_CC IPL)—Bits 3–2

This field is used to set the interrupt priority level for the FM Command Complete IRQ. This IRQ is limited to priorities 0 through 2. It is disabled by default.

- 00 = IRQ disabled (default)
- 01 = IRQ is priority level 0
- 10 = IRQ is priority level 1
- 11 = IRQ is priority level 2

5.6.2.8 FM Error Interrupt Priority Level (FM_ERR IPL)—Bits 1–0

This field is used to set the interrupt priority level for the FM Error IRQ. This IRQ is limited to priorities 0 through 2. It is disabled by default.

- 00 = IRQ disabled (default)
- 01 = IRQ is priority level 0
- 10 = IRQ is priority level 1
- 11 = IRQ is priority level 2

5.6.3 Interrupt Priority Register 2 (IPR2)

| Base + \$2 | 15 | 14 | 13 | 12 | 11 | 10 | 9 | 8 | 7 | 6 | 5 | 4 | 3 | 2 | 1 | 0 |
|--------------|----------------|----|----------------|----|---------------|----|----------------|---|---------------|---|-----------|---|-----------|---|-----------|---|
| Read | QSCI0_XMIT IPL | | QSPI1_XMIT IPL | | QSPI1_RCV IPL | | QSPI0_XMIT IPL | | QSPI0_RCV IPL | | GPIOA IPL | | GPIOB IPL | | GPIOC IPL | |
| Write | QSCI0_XMIT IPL | | QSPI1_XMIT IPL | | QSPI1_RCV IPL | | QSPI0_XMIT IPL | | QSPI0_RCV IPL | | GPIOA IPL | | GPIOB IPL | | GPIOC IPL | |
| RESET | 0 | 0 | 0 | 0 | 0 | 0 | 0 | 0 | 0 | 0 | 0 | 0 | 0 | 0 | 0 | 0 |

Figure 5-5 Interrupt Priority Register 2 (IPR2)

5.6.3.1 QSCI 0 Transmitter Empty Interrupt Priority Level (QSCI0_XMIT IPL)— Bits 15–14

This field is used to set the interrupt priority level for the QSCI0 Transmitter Empty IRQ. This IRQ is limited to priorities 0 through 2. It is disabled by default.

- 00 = IRQ disabled (default)
- 01 = IRQ is priority level 0
- 10 = IRQ is priority level 1
- 11 = IRQ is priority level 2

5.6.3.2 QSPI 1 Transmitter Empty Interrupt Priority Level (QSPI1_XMIT IPL)— Bits 13–12

This field is used to set the interrupt priority level for the QSPI1 Transmitter Empty IRQ. This IRQ is limited to priorities 0 through 2. It is disabled by default.

- 00 = IRQ disabled (default)
- 01 = IRQ is priority level 0
- 10 = IRQ is priority level 1
- 11 = IRQ is priority level 2

5.6.3.3 QSPI 1 Receiver Full Interrupt Priority Level (QSPI1_RCV IPL)— Bits 11–10

This field is used to set the interrupt priority level for the QSPI1 Receiver Full IRQ. This IRQ is limited to priorities 0 through 2. It is disabled by default.

- 00 = IRQ disabled (default)
- 01 = IRQ is priority level 0
- 10 = IRQ is priority level 1
- 11 = IRQ is priority level 2

5.6.3.4 QSPI 0 Transmitter Empty Interrupt Priority Level (QSPI0_XMIT IPL)— Bits 9–8

This field is used to set the interrupt priority level for the QSPI0 Transmitter Empty IRQ. This IRQ is limited to priorities 0 through 2. It is disabled by default.

- 00 = IRQ disabled (default)
- 01 = IRQ is priority level 0
- 10 = IRQ is priority level 1
- 11 = IRQ is priority level 2

5.6.3.5 QSPI 0 Receiver Full Interrupt Priority Level (QSPI0_RCV IPL)—Bits 7–6

This field is used to set the interrupt priority level for the QSPI0 Receiver Full IRQ. This IRQ is limited to priorities 0 through 2. It is disabled by default.

- 00 = IRQ disabled (default)
- 01 = IRQ is priority level 0
- 10 = IRQ is priority level 1
- 11 = IRQ is priority level 2

5.6.3.6 GPIOA Interrupt Priority Level (GPIOA IPL)—Bits 5–4

This field is used to set the interrupt priority level for the GPIOA IRQ. This IRQ is limited to priorities 0 through 2. It is disabled by default.

- 00 = IRQ disabled (default)
- 01 = IRQ is priority level 0
- 10 = IRQ is priority level 1
- 11 = IRQ is priority level 2

5.6.3.7 GPIOB Interrupt Priority Level (GPIOB IPL)—Bits 3–2

This field is used to set the interrupt priority level for the GPIOB IRQ. This IRQ is limited to priorities 0 through 2. It is disabled by default.

- 00 = IRQ disabled (default)
- 01 = IRQ is priority level 0
- 10 = IRQ is priority level 1
- 11 = IRQ is priority level 2

5.6.3.8 GPIOC Interrupt Priority Level (GPIOC IPL)—Bits 1–0

This field is used to set the interrupt priority level for the GPIOC IRQ. This IRQ is limited to priorities 0 through 2. It is disabled by default.

- 00 = IRQ disabled (default)
- 01 = IRQ is priority level 0
- 10 = IRQ is priority level 1
- 11 = IRQ is priority level 2

5.6.4 Interrupt Priority Register 3 (IPR3)

| Base + \$3 | 15 | 14 | 13 | 12 | 11 | 10 | 9 | 8 | 7 | 6 | 5 | 4 | 3 | 2 | 1 | 0 |
|--------------|-------------|----|---------------|----|----------------|----|----------------|---|----------------|---|---------------|---|----------------|---|----------------|---|
| Read | I2C_ERR IPL | | QSCI1_RCV IPL | | QSCI1_RERR IPL | | QSCI1_TIDL IPL | | QSCI1_XMIT IPL | | QSCI0_RCV IPL | | QSCI0_RERR IPL | | QSCI0_TIDL IPL | |
| Write | | | | | | | | | | | | | | | | |
| RESET | 0 | 0 | 0 | 0 | 0 | 0 | 0 | 0 | 0 | 0 | 0 | 0 | 0 | 0 | 0 | 0 |

Figure 5-6 Interrupt Priority Register 3 (IPR3)

5.6.4.1 I²C Error Interrupt Priority Level (I2C_ERR IPL)—Bits 15–14

This field is used to set the interrupt priority level for the I²C Error IRQ. This IRQ is limited to priorities 0 through 2. It is disabled by default.

- 00 = IRQ disabled (default)
- 01 = IRQ is priority level 0
- 10 = IRQ is priority level 1
- 11 = IRQ is priority level 2

5.6.4.2 QSCI 1 Receiver Full Interrupt Priority Level (QSCI1_RCV IPL)—Bits 13–12

This field is used to set the interrupt priority level for the QSCI1 Receiver Full IRQ. This IRQ is limited to priorities 0 through 2. It is disabled by default.

- 00 = IRQ disabled (default)
- 01 = IRQ is priority level 0
- 10 = IRQ is priority level 1
- 11 = IRQ is priority level 2

5.6.4.3 QSCI 1 Receiver Error Interrupt Priority Level (QSCI1_RERR IPL)—Bits 11–10

This field is used to set the interrupt priority level for the QSCI1 Receiver Error IRQ. This IRQ is limited to priorities 0 through 2. It is disabled by default.

- 00 = IRQ disabled (default)
- 01 = IRQ is priority level 0
- 10 = IRQ is priority level 1
- 11 = IRQ is priority level 2

5.6.4.4 QSCI 1 Transmitter Idle Interrupt Priority Level (QSCI1_TIDL IPL)—Bits 9–8

This field is used to set the interrupt priority level for the QSCI1 Transmitter Idle IRQ. This IRQ is limited to priorities 0 through 2. It is disabled by default.

- 00 = IRQ disabled (default)
- 01 = IRQ is priority level 0
- 10 = IRQ is priority level 1



- 11 = IRQ is priority level 2

5.6.4.5 QSCI 1 Transmitter Empty Interrupt Priority Level (QSCI1_XMIT IPL)—Bits 7–6

This field is used to set the interrupt priority level for the QSCI1 Transmitter Empty IRQ. This IRQ is limited to priorities 0 through 2. It is disabled by default.

- 00 = IRQ disabled (default)
- 01 = IRQ is priority level 0
- 10 = IRQ is priority level 1
- 11 = IRQ is priority level 2

5.6.4.6 QSCI 0 Receiver Full Interrupt Priority Level (QSCI0_RCV IPL)—Bits 5–4

This field is used to set the interrupt priority level for the QSCI0 Receiver Full IRQ. This IRQ is limited to priorities 0 through 2. It is disabled by default.

- 00 = IRQ disabled (default)
- 01 = IRQ is priority level 0
- 10 = IRQ is priority level 1
- 11 = IRQ is priority level 2

5.6.4.7 QSCI 0 Receiver Error Interrupt Priority Level (QSCI0_RERR IPL)—Bits 3–2

This field is used to set the interrupt priority level for the QSCI0 Receiver Error IRQ. This IRQ is limited to priorities 0 through 2. It is disabled by default.

- 00 = IRQ disabled (default)
- 01 = IRQ is priority level 0
- 10 = IRQ is priority level 1
- 11 = IRQ is priority level 2

5.6.4.8 QSCI 0 Transmitter Idle Interrupt Priority Level (QSCI0_TIDL IPL)—Bits 1–0

This field is used to set the interrupt priority level for the QSCI0 Transmitter Idle IRQ. This IRQ is limited to priorities 0 through 2. It is disabled by default.

- 00 = IRQ disabled (default)
- 01 = IRQ is priority level 0
- 10 = IRQ is priority level 1
- 11 = IRQ is priority level 2

5.6.5 Interrupt Priority Register 4 (IPR4)

| Base + \$4 | 15 | 14 | 13 | 12 | 11 | 10 | 9 | 8 | 7 | 6 | 5 | 4 | 3 | 2 | 1 | 0 |
|------------|------------|----|------------|----|------------|----|------------|---|--------------|---|------------|---|------------|---|-------------|---|
| Read | TMRA_3 IPL | | TMRA_2 IPL | | TMRA_1 IPL | | TMRA_0 IPL | | I2C_STAT IPL | | I2C_TX IPL | | I2C_RX IPL | | I2C_GEN IPL | |
| Write | TMRA_3 IPL | | TMRA_2 IPL | | TMRA_1 IPL | | TMRA_0 IPL | | I2C_STAT IPL | | I2C_TX IPL | | I2C_RX IPL | | I2C_GEN IPL | |
| RESET | 0 | 0 | 0 | 0 | 0 | 0 | 0 | 0 | 0 | 0 | 0 | 0 | 0 | 0 | 0 | 0 |

Figure 5-7 Interrupt Priority Register 4 (IPR4)

5.6.5.1 Timer A, Channel 3 Interrupt Priority Level (TMRA_3 IPL)— Bits 15–14

This field is used to set the interrupt priority level for the Timer A, Channel 3 IRQ. This IRQ is limited to priorities 0 through 2. It is disabled by default.

- 00 = IRQ disabled (default)
- 01 = IRQ is priority level 0
- 10 = IRQ is priority level 1
- 11 = IRQ is priority level 2

5.6.5.2 Timer A, Channel 2 Interrupt Priority Level (TMRA_2 IPL)— Bits 13–12

This field is used to set the interrupt priority level for the Timer A, Channel 2 IRQ. This IRQ is limited to priorities 0 through 2. It is disabled by default.

- 00 = IRQ disabled (default)
- 01 = IRQ is priority level 0
- 10 = IRQ is priority level 1
- 11 = IRQ is priority level 2

5.6.5.3 Timer A, Channel 1 Interrupt Priority Level (TMRA_1 IPL)— Bits 11–10

This field is used to set the interrupt priority level for the Timer A, Channel 1 IRQ. This IRQ is limited to priorities 0 through 2. It is disabled by default.

- 00 = IRQ disabled (default)
- 01 = IRQ is priority level 0
- 10 = IRQ is priority level 1
- 11 = IRQ is priority level 2

5.6.5.4 Timer A, Channel 0 Interrupt Priority Level (TMRA_0 IPL)—Bits 9–8

This field is used to set the interrupt priority level for the Timer A, Channel 0 IRQ. This IRQ is limited to priorities 0 through 2. It is disabled by default.

- 00 = IRQ disabled (default)
- 01 = IRQ is priority level 0
- 10 = IRQ is priority level 1
- 11 = IRQ is priority level 2

5.6.5.5 I²C Status Interrupt Priority Level (I2C_STAT IPL)—Bits 7–6

This field is used to set the interrupt priority level for the I²C Status IRQ. This IRQ is limited to priorities 0 through 2. It is disabled by default.

- 00 = IRQ disabled (default)
- 01 = IRQ is priority level 0
- 10 = IRQ is priority level 1
- 11 = IRQ is priority level 2

5.6.5.6 I²C Transmit Interrupt Priority Level (I2C_TX IPL)—Bits 5–4

This field is used to set the interrupt priority level for the I²C Transmit IRQ. This IRQ is limited to priorities 0 through 2. It is disabled by default.

- 00 = IRQ disabled (default)
- 01 = IRQ is priority level 0
- 10 = IRQ is priority level 1
- 11 = IRQ is priority level 2

5.6.5.7 I²C Receive Interrupt Priority Level (I2C_RX IPL)—Bits 3–2

This field is used to set the interrupt priority level for the I²C Receiver IRQ. This IRQ is limited to priorities 0 through 2. It is disabled by default.

- 00 = IRQ disabled (default)
- 01 = IRQ is priority level 0
- 10 = IRQ is priority level 1
- 11 = IRQ is priority level 2

5.6.5.8 I²C General Call Interrupt Priority Level (I2C_GEN IPL)—Bits 1–0

This field is used to set the interrupt priority level for the I²C General Call IRQ. This IRQ is limited to priorities 0 through 2. It is disabled by default.

- 00 = IRQ disabled (default)
- 01 = IRQ is priority level 0

- 10 = IRQ is priority level 1
- 11 = IRQ is priority level 2

5.6.6 Interrupt Priority Register 5 (IPR5)

| Base + \$5 | 15 | 14 | 13 | 12 | 11 | 10 | 9 | 8 | 7 | 6 | 5 | 4 | 3 | 2 | 1 | 0 |
|------------|----------|----|----------|----|-----------|----|-----------|---|------------|---|------------|---|------------|---|------------|---|
| Read | PIT1 IPL | | PIT0 IPL | | COMPB IPL | | COMPA IPL | | TMRB_3 IPL | | TMRB_2 IPL | | TMRB_1 IPL | | TMRB_0 IPL | |
| Write | | | | | | | | | | | | | | | | |
| RESET | 0 | 0 | 0 | 0 | 0 | 0 | 0 | 0 | 0 | 0 | 0 | 0 | 0 | 0 | 0 | 0 |

Figure 5-8 Interrupt Priority Register 5 (IPR6)

5.6.6.1 Programmable Interval Timer 1 Interrupt Priority Level (PIT1 IPL)— Bits 15–14

This field is used to set the interrupt priority level for the Programmable Interval Timer 1 IRQ. This IRQ is limited to priorities 0 through 2. It is disabled by default.

- 00 = IRQ disabled (default)
- 01 = IRQ is priority level 0
- 10 = IRQ is priority level 1
- 11 = IRQ is priority level 2

5.6.6.2 Programmable Interval Timer 0 Interrupt Priority Level (PIT0 IPL)— Bits 13–12

This field is used to set the interrupt priority level for the Programmable Interval Timer 0 IRQ. This IRQ is limited to priorities 0 through 2. It is disabled by default.

- 00 = IRQ disabled (default)
- 01 = IRQ is priority level 0
- 10 = IRQ is priority level 1
- 11 = IRQ is priority level 2

5.6.6.3 Comparator B Interrupt Priority Level (COMPB IPL)— Bits 11–10

This field is used to set the interrupt priority level for the Comparator B IRQ. This IRQ is limited to priorities 0 through 2. It is disabled by default.

- 00 = IRQ disabled (default)
- 01 = IRQ is priority level 0
- 10 = IRQ is priority level 1
- 11 = IRQ is priority level 2

5.6.6.4 Comparator A Interrupt Priority Level (COMPA IPL)—Bits 9–8

This field is used to set the interrupt priority level for the Comparator IRQ. This IRQ is limited to priorities 0 through 2. It is disabled by default.

- 00 = IRQ disabled (default)
- 01 = IRQ is priority level 0
- 10 = IRQ is priority level 1
- 11 = IRQ is priority level 2

5.6.6.5 Timer B, Channel 3 Interrupt Priority Level (TMRB_3 IPL)—Bits 7–6

This field is used to set the interrupt priority level for the Timer B, Channel 3 IRQ. This IRQ is limited to priorities 0 through 2. It is disabled by default.

- 00 = IRQ disabled (default)
- 01 = IRQ is priority level 0
- 10 = IRQ is priority level 1
- 11 = IRQ is priority level 2

5.6.6.6 Timer B, Channel 2 Interrupt Priority Level (TMRB_2 IPL)—Bits 5–4

This field is used to set the interrupt priority level for the Timer B, Channel 2 IRQ. This IRQ is limited to priorities 0 through 2. It is disabled by default.

- 00 = IRQ disabled (default)
- 01 = IRQ is priority level 0
- 10 = IRQ is priority level 1
- 11 = IRQ is priority level 2

5.6.6.7 Timer B, Channel 1 Interrupt Priority Level (TMRB_1 IPL)—Bits 3–2

This field is used to set the interrupt priority level for the Timer B, Channel 1 IRQ. This IRQ is limited to priorities 0 through 2. It is disabled by default.

- 00 = IRQ disabled (default)
- 01 = IRQ is priority level 0
- 10 = IRQ is priority level 1
- 11 = IRQ is priority level 2

5.6.6.8 Timer B, Channel 0 Interrupt Priority Level (TMRB_0 IPL)—Bits 1–0

This field is used to set the interrupt priority level for the Timer B, Channel 0 IRQ. This IRQ is limited to priorities 0 through 2. It is disabled by default.

- 00 = IRQ disabled (default)
- 01 = IRQ is priority level 0
- 10 = IRQ is priority level 1

- 11 = IRQ is priority level 2

5.6.7 Interrupt Priority Register 6 (IPR6)

| Base + \$6 | 15 | 14 | 13 | 12 | 11 | 10 | 9 | 8 | 7 | 6 | 5 | 4 | 3 | 2 | 1 | 0 |
|------------|----|----|----|----|-----------|----|------------|---|------------|---|-------------|---|-------------|---|----------|---|
| Read | 0 | 0 | 0 | 0 | PWM_F IPL | | PWM_RL IPL | | ADC_ZC IPL | | ADCB_CC IPL | | ADCA_CC IPL | | PIT2 IPL | |
| Write | | | | | | | | | | | | | | | | |
| RESET | 0 | 0 | 0 | 0 | 0 | 0 | 0 | 0 | 0 | 0 | 0 | 0 | 0 | 0 | 0 | 0 |

Figure 5-9 Interrupt Priority Register 6 (IPR6)

5.6.7.1 Reserved—Bits 15–12

This bit field is reserved. Each bit must be set to 0.

5.6.7.2 PWM Fault Interrupt Priority Level (PWM_F IPL)—Bits 11–10

This field is used to set the interrupt priority level for the PWM Fault Interrupt IRQ. This IRQ is limited to priorities 0 through 2. It is disabled by default.

- 00 = IRQ disabled (default)
- 01 = IRQ is priority level 0
- 10 = IRQ is priority level 1
- 11 = IRQ is priority level 2

5.6.7.3 Reload PWM Interrupt Priority Level (PWM_RL IPL)—Bits 9–8

This field is used to set the interrupt priority level for the Reload PWM Interrupt IRQ. This IRQ is limited to priorities 0 through 2. It is disabled by default.

- 00 = IRQ disabled (default)
- 01 = IRQ is priority level 0
- 10 = IRQ is priority level 1
- 11 = IRQ is priority level 2

5.6.7.4 ADC Zero Crossing Interrupt Priority Level (ADC_ZC IPL)—Bits 7–6

This field is used to set the interrupt priority level for the ADC Zero Crossing IRQ. This IRQ is limited to priorities 0 through 2. It is disabled by default.

- 00 = IRQ disabled (default)
- 01 = IRQ is priority level 0
- 10 = IRQ is priority level 1
- 11 = IRQ is priority level 2

5.6.7.5 ADC B Conversion Complete Interrupt Priority Level (ADCB_CC IPL)—Bits 5–4

This field is used to set the interrupt priority level for the ADC B Conversion Complete IRQ. This IRQ is limited to priorities 0 through 2. It is disabled by default.

- 00 = IRQ disabled (default)
- 01 = IRQ is priority level 0
- 10 = IRQ is priority level 1
- 11 = IRQ is priority level 2

5.6.7.6 ADC A Conversion Complete Interrupt Priority Level (ADCA_CC IPL)—Bits 3–2

This field is used to set the interrupt priority level for the ADC A Conversion Complete IRQ. This IRQ is limited to priorities 0 through 2. It is disabled by default.

- 00 = IRQ disabled (default)
- 01 = IRQ is priority level 0
- 10 = IRQ is priority level 1
- 11 = IRQ is priority level 2

5.6.7.7 Programmable Interval Timer 2 Interrupt Priority Level (PIT2 IPL)—Bits 1–0

This field is used to set the interrupt priority level for the Programmable Interval Timer 2 IRQ. This IRQ is limited to priorities 0 through 2. It is disabled by default.

- 00 = IRQ disabled (default)
- 01 = IRQ is priority level 0
- 10 = IRQ is priority level 1
- 11 = IRQ is priority level 2

5.6.8 Vector Base Address Register (VBA)

| Base + \$7 | 15 | 14 | 13 | 12 | 11 | 10 | 9 | 8 | 7 | 6 | 5 | 4 | 3 | 2 | 1 | 0 |
|--------------------|----|----|---------------------|----|----|----|---|---|---|---|---|---|---|---|---|---|
| Read | 0 | 0 | VECTOR_BASE_ADDRESS | | | | | | | | | | | | | |
| Write | | | | | | | | | | | | | | | | |
| RESET ¹ | 0 | 0 | 0 | 0 | 0 | 0 | 0 | 0 | 0 | 0 | 0 | 0 | 0 | 0 | 0 | 0 |

1. The 56F8037 resets to a value of 0x0000. This corresponds to reset addresses of 0x000000.
The 56F8027 resets to a value of 0x0080. This corresponds to reset addresses of 0x004000.

Figure 5-10 Vector Base Address Register (VBA)

5.6.8.1 Reserved—Bits 15–14

This bit field is reserved. Each bit must be set to 0.

5.6.8.2 Vector Address Bus (VAB) Bits 13–0

The value in this register is used as the upper 14 bits of the interrupt vector VAB[20:0]. The lower 7 bits are determined based on the highest priority interrupt and are then appended onto VBA before presenting the full VAB to the Core.

5.6.9 Fast Interrupt Match 0 Register (FIM0)

| Base + \$8 | 15 | 14 | 13 | 12 | 11 | 10 | 9 | 8 | 7 | 6 | 5 | 4 | 3 | 2 | 1 | 0 |
|------------|----|----|----|----|----|----|---|---|---|---|------------------|---|---|---|---|---|
| Read | 0 | 0 | 0 | 0 | 0 | 0 | 0 | 0 | 0 | 0 | FAST INTERRUPT 0 | | | | | |
| Write | | | | | | | | | | | | | | | | |
| RESET | 0 | 0 | 0 | 0 | 0 | 0 | 0 | 0 | 0 | 0 | 0 | 0 | 0 | 0 | 0 | 0 |

Figure 5-11 Fast Interrupt Match 0 Register (FIM0)

5.6.9.1 Reserved—Bits 15–6

This bit field is reserved. Each bit must be set to 0.

5.6.9.2 Fast Interrupt 0 Vector Number (FAST INTERRUPT 0)—Bits 5–0

These values determine which IRQ will be Fast Interrupt 0. Fast Interrupts vector directly to a service routine based on values in the Fast Interrupt Vector Address registers without having to go to a jump table first. IRQs used as Fast Interrupts *must* be set to priority level 2. Unexpected results will occur if a Fast Interrupt vector is set to any other priority. A Fast Interrupt automatically becomes the highest-priority level 2 interrupt regardless of its location in the interrupt table prior to being declared as Fast Interrupt. Fast Interrupt 0 has priority over Fast Interrupt 1. To determine the vector number of each IRQ, refer to the vector table.

5.6.10 Fast Interrupt 0 Vector Address Low Register (FIVAL0)

| Base + \$9 | 15 | 14 | 13 | 12 | 11 | 10 | 9 | 8 | 7 | 6 | 5 | 4 | 3 | 2 | 1 | 0 |
|------------|-------------------------------------|----|----|----|----|----|---|---|---|---|---|---|---|---|---|---|
| Read | FAST INTERRUPT 0 VECTOR ADDRESS LOW | | | | | | | | | | | | | | | |
| Write | | | | | | | | | | | | | | | | |
| RESET | 0 | 0 | 0 | 0 | 0 | 0 | 0 | 0 | 0 | 0 | 0 | 0 | 0 | 0 | 0 | 0 |

Figure 5-12 Fast Interrupt 0 Vector Address Low Register (FIVAL0)

5.6.10.1 Fast Interrupt 0 Vector Address Low (FIVAL0)—Bits 15–0

The lower 16 bits of the vector address used for Fast Interrupt 0. This register is combined with FIVAH0 to form the 21-bit vector address for Fast Interrupt 0 defined in the FIM0 register.

5.6.11 Fast Interrupt 0 Vector Address High Register (FIVAH0)

| Base + \$A | 15 | 14 | 13 | 12 | 11 | 10 | 9 | 8 | 7 | 6 | 5 | 4 | 3 | 2 | 1 | 0 |
|------------|----|----|----|----|----|----|---|---|---|---|---|--------------------------------------|---|---|---|---|
| Read | 0 | 0 | 0 | 0 | 0 | 0 | 0 | 0 | 0 | 0 | 0 | FAST INTERRUPT 0 VECTOR ADDRESS HIGH | | | | |
| Write | | | | | | | | | | | | | | | | |
| RESET | 0 | 0 | 0 | 0 | 0 | 0 | 0 | 0 | 0 | 0 | 0 | 0 | 0 | 0 | 0 | 0 |

Figure 5-13 Fast Interrupt 0 Vector Address High Register (FIVAH0)

5.6.11.1 Reserved—Bits 15–5

This bit field is reserved. Each bit must be set to 0.

5.6.11.2 Fast Interrupt 0 Vector Address High (FIVAH0)—Bits 4–0

The upper five bits of the vector address used for Fast Interrupt 0. This register is combined with FIVAL0 to form the 21-bit vector address for Fast Interrupt 0 defined in the FIM0 register.

5.6.12 Fast Interrupt 1 Match Register (FIM1)

| Base + \$B | 15 | 14 | 13 | 12 | 11 | 10 | 9 | 8 | 7 | 6 | 5 | 4 | 3 | 2 | 1 | 0 |
|------------|----|----|----|----|----|----|---|---|---|---|------------------|---|---|---|---|---|
| Read | 0 | 0 | 0 | 0 | 0 | 0 | 0 | 0 | 0 | 0 | FAST INTERRUPT 1 | | | | | |
| Write | | | | | | | | | | | | | | | | |
| RESET | 0 | 0 | 0 | 0 | 0 | 0 | 0 | 0 | 0 | 0 | 0 | 0 | 0 | 0 | 0 | 0 |

Figure 5-14 Fast Interrupt 1 Match Register (FIM1)

5.6.12.1 Reserved—Bits 15–6

This bit field is reserved. Each bit must be set to 0.

5.6.12.2 Fast Interrupt 1 Vector Number (FAST INTERRUPT 1)—Bits 5–0

These values determine which IRQ will be Fast Interrupt 1. Fast Interrupts vector directly to a service routine based on values in the Fast Interrupt Vector Address registers without having to go to a jump table first. IRQs used as Fast Interrupts *must* be set to priority level 2. Unexpected results will occur if a Fast Interrupt vector is set to any other priority. A Fast Interrupt automatically becomes the highest priority level 2 interrupt, regardless of its location in the interrupt table prior to being declared as Fast Interrupt. Fast Interrupt 0 has priority over Fast Interrupt 1. To determine the vector number of each IRQ, refer to the vector table.

5.6.13 Fast Interrupt 1 Vector Address Low Register (FIVAL1)

| Base + \$C | 15 | 14 | 13 | 12 | 11 | 10 | 9 | 8 | 7 | 6 | 5 | 4 | 3 | 2 | 1 | 0 |
|------------|-------------------------------------|----|----|----|----|----|---|---|---|---|---|---|---|---|---|---|
| Read | FAST INTERRUPT 1 VECTOR ADDRESS LOW | | | | | | | | | | | | | | | |
| Write | | | | | | | | | | | | | | | | |
| RESET | 0 | 0 | 0 | 0 | 0 | 0 | 0 | 0 | 0 | 0 | 0 | 0 | 0 | 0 | 0 | 0 |

Figure 5-15 Fast Interrupt 1 Vector Address Low Register (FIVAL1)

5.6.13.1 Fast Interrupt 1 Vector Address Low (FIVAL1)—Bits 15–0

The lower 16 bits of the vector address used for Fast Interrupt 1. This register is combined with FIVAH1 to form the 21-bit vector address for Fast Interrupt 1 defined in the FIM1 register.

5.6.14 Fast Interrupt 1 Vector Address High (FIVAH1)

| Base + \$D | 15 | 14 | 13 | 12 | 11 | 10 | 9 | 8 | 7 | 6 | 5 | 4 | 3 | 2 | 1 | 0 |
|------------|----|----|----|----|----|----|---|---|---|---|---|--------------------------------------|---|---|---|---|
| Read | 0 | 0 | 0 | 0 | 0 | 0 | 0 | 0 | 0 | 0 | 0 | FAST INTERRUPT 1 VECTOR ADDRESS HIGH | | | | |
| Write | | | | | | | | | | | | | | | | |
| RESET | 0 | 0 | 0 | 0 | 0 | 0 | 0 | 0 | 0 | 0 | 0 | 0 | 0 | 0 | 0 | 0 |

Figure 5-16 Fast Interrupt 1 Vector Address High Register (FIVAH1)

5.6.14.1 Reserved—Bits 15–5

This bit field is reserved. Each bit must be set to 0.

5.6.14.2 Fast Interrupt 1 Vector Address High (FIVAH1)—Bits 4–0

The upper five bits of the vector address used for Fast Interrupt 1. This register is combined with FIVAL1 to form the 21-bit vector address for Fast Interrupt 1 defined in the FIM1 register.

5.6.15 IRQ Pending Register 0 (IRQP0)

| Base + \$E | 15 | 14 | 13 | 12 | 11 | 10 | 9 | 8 | 7 | 6 | 5 | 4 | 3 | 2 | 1 | 0 |
|------------|---------------|----|----|----|----|----|---|---|---|---|---|---|---|---|---|---|
| Read | PENDING[16:2] | | | | | | | | | | | | | | | 1 |
| Write | | | | | | | | | | | | | | | | |
| RESET | 1 | 1 | 1 | 1 | 1 | 1 | 1 | 1 | 1 | 1 | 1 | 1 | 1 | 1 | 1 | 1 |

Figure 5-17 IRQ Pending Register 0 (IRQP0)

5.6.15.1 IRQ Pending (PENDING)—Bits 16–2

This register bit values represent the pending IRQs for interrupt vector numbers 2 through 16. Ascending IRQ numbers correspond to ascending bit locations.

- 0 = IRQ pending for this vector number
- 1 = No IRQ pending for this vector number

5.6.15.2 Reserved—Bit 0

This bit field is reserved. It must be set to 0.

5.6.16 IRQ Pending Register 1 (IRQP1)

| Base + \$F | 15 | 14 | 13 | 12 | 11 | 10 | 9 | 8 | 7 | 6 | 5 | 4 | 3 | 2 | 1 | 0 |
|------------|----------------|----|----|----|----|----|---|---|---|---|---|---|---|---|---|---|
| Read | PENDING[32:17] | | | | | | | | | | | | | | | |
| Write | | | | | | | | | | | | | | | | |
| RESET | 1 | 1 | 1 | 1 | 1 | 1 | 1 | 1 | 1 | 1 | 1 | 1 | 1 | 1 | 1 | 1 |

Figure 5-18 IRQ Pending Register 1 (IRQP1)

5.6.16.1 IRQ Pending (PENDING)—Bits 32–17

This register bit values represent the pending IRQs for interrupt vector numbers 17 through 32. Ascending IRQ numbers correspond to ascending bit locations.

- 0 = IRQ pending for this vector number
- 1 = No IRQ pending for this vector number

5.6.17 IRQ Pending Register 2 (IRQP2)

| Base + \$10 | 15 | 14 | 13 | 12 | 11 | 10 | 9 | 8 | 7 | 6 | 5 | 4 | 3 | 2 | 1 | 0 |
|-------------|----------------|----|----|----|----|----|---|---|---|---|---|---|---|---|---|---|
| Read | PENDING[48:33] | | | | | | | | | | | | | | | |
| Write | | | | | | | | | | | | | | | | |
| RESET | 1 | 1 | 1 | 1 | 1 | 1 | 1 | 1 | 1 | 1 | 1 | 1 | 1 | 1 | 1 | 1 |

Figure 5-19 IRQ Pending Register 2 (IRQP2)

5.6.17.1 IRQ Pending (PENDING)—Bits 48–33

This register bit values represent the pending IRQs for interrupt vector numbers 33 through 48. Ascending IRQ numbers correspond to ascending bit locations.

- 0 = IRQ pending for this vector number
- 1 = No IRQ pending for this vector number

5.6.18 IRQ Pending Register 3 (IRQP3)

| Base + \$11 | 15 | 14 | 13 | 12 | 11 | 10 | 9 | 8 | 7 | 6 | 5 | 4 | 3 | 2 | 1 | 0 |
|-------------|----|----------------|----|----|----|----|---|---|---|---|---|---|---|---|---|---|
| Read | 1 | PENDING[63:49] | | | | | | | | | | | | | | |
| Write | | | | | | | | | | | | | | | | |
| RESET | 1 | 1 | 1 | 1 | 1 | 1 | 1 | 1 | 1 | 1 | 1 | 1 | 1 | 1 | 1 | 1 |

Figure 5-20 IRQ Pending Register 3 (IRQP3)

5.6.18.1 IRQ Pending (PENDING)—Bits 63–49

This register bit values represent the pending IRQs for interrupt vector numbers 49 through 63. Ascending IRQ numbers correspond to ascending bit locations.

- 0 = IRQ pending for this vector number
- 1 = No IRQ pending for this vector number

5.6.18.2 Reserved—Bit 15

This bit field is reserved. When it is read, it has a value of 1.

5.6.19 Interrupt Control Register (ICTRL)

| \$Base + \$16 | 15 | 14 | 13 | 12 | 11 | 10 | 9 | 8 | 7 | 6 | 5 | 4 | 3 | 2 | 1 | 0 | |
|---------------|-----|------|----|-----|----|----|---|---|---|---|-----|------|---|---|---|---|---|
| Read | INT | IPIC | | VAB | | | | | | | | INT_ | 1 | 1 | 1 | 0 | 0 |
| Write | | | | | | | | | | | DIS | | | | | | |
| RESET | 0 | 0 | 0 | 0 | 0 | 0 | 0 | 0 | 0 | 0 | 0 | 1 | 1 | 1 | 0 | 0 | |

Figure 5-21 Interrupt Control Register (ICTRL)

5.6.19.1 Interrupt (INT)—Bit 15

This *read-only* bit reflects the state of the interrupt to the 56800E core.

- 0 = No interrupt is being sent to the 56800E core
- 1 = An interrupt is being sent to the 56800E core

5.6.19.2 Interrupt Priority Level (IPIC)—Bits 14–13

These *read-only* bits reflect the state of the new interrupt priority level bits being presented to the 56800E core. These bits indicate the priority level needed for a new IRQ to interrupt the current interrupt being sent to the 56800E core. This field is only updated when the 56800E core jumps to a new interrupt service routine.

Note: Nested interrupts may cause this field to be updated before the original interrupt service routine can read it.

- 00 = Required nested exception priority levels are 0, 1, 2, or 3
- 01 = Required nested exception priority levels are 1, 2, or 3
- 10 = Required nested exception priority levels are 2 or 3
- 11 = Required nested exception priority level is 3

Table 5-4 Interrupt Priority Encoding

| IPIC_VALUE[1:0] | Current Interrupt Priority Level | Required Nested Exception Priority |
|-----------------|----------------------------------|------------------------------------|
| 00 | No interrupt or SWILP | Priorities 0, 1, 2, 3 |
| 01 | Priority 0 | Priorities 1, 2, 3 |
| 10 | Priority 1 | Priorities 2, 3 |
| 11 | Priority 2 or 3 | Priority 3 |

5.6.19.3 Vector Number - Vector Address Bus (VAB)—Bits 12–6

This *read-only* field shows bits [7:1] of the Vector Address Bus used at the time the last IRQ was taken. In the case of a Fast Interrupt, it shows the lower address bits of the jump address. This field is only updated

when the 56800E core jumps to a new interrupt service routine.

Note: Nested interrupts may cause this field to be updated before the original interrupt service routine can read it.

5.6.19.4 Interrupt Disable (INT_DIS)—Bit 5

This bit allows all interrupts to be disabled.

- 0 = Normal operation (default)
- 1 = All interrupts disabled

5.6.19.5 Reserved—Bits 4-2

This bit field is reserved. Each bit must be set to 1.

5.6.19.6 Reserved—Bits 1-0

This bit field is reserved. Each bit must be set to 0.

5.7 Resets

5.7.1 General

Table 5-5 Reset Summary

| Reset | Priority | Source | Characteristics |
|------------|----------|-------------------------|-------------------------|
| Core Reset | | $\overline{\text{RST}}$ | Core reset from the SIM |

5.7.2 Description of Reset Operation

5.7.2.1 Reset Handshake Timing

The ITCN provides the 56800E core with a reset vector address on the VAB pins whenever $\overline{\text{RESET}}$ is asserted from the SIM. The reset vector will be presented until the second rising clock edge after $\overline{\text{RESET}}$ is released. The general timing is shown in [Figure 5-22](#).

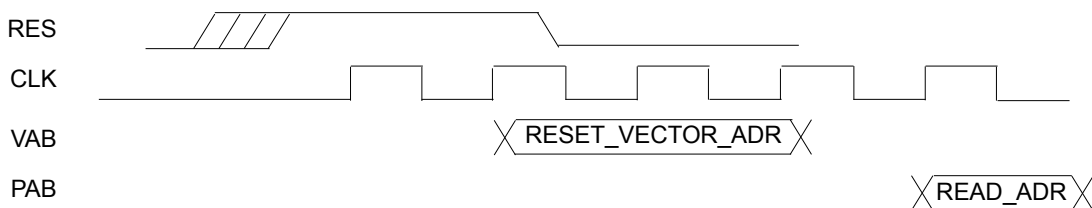


Figure 5-22 Reset Interface

5.7.3 ITCN After Reset

After reset, all of the ITCN registers are in their default states. This means all interrupts are disabled, except the core IRQs with fixed priorities:

- Illegal Instruction
- SW Interrupt 3
- HW Stack Overflow
- Misaligned Long Word Access
- SW Interrupt 2
- SW Interrupt 1
- SW Interrupt 0
- SW Interrupt LP

These interrupts are enabled at their fixed priority levels.

Part 6 System Integration Module (SIM)

6.1 Introduction

The SIM module is a system catchall for the glue logic that ties together the system-on-chip. It controls distribution of resets and clocks and provides a number of control features. The System Integration Module's functions are discussed in more detail in the following sections.

6.2 Features

The SIM has the following features:

- Chip reset sequencing
- Core and peripheral clock control and distribution
- Stop/Wait mode control
- System status control
- Registers containing the JTAG ID of the chip
- Controls for programmable peripheral and GPIO connections
- Peripheral clocks for TMR and PWM with a high-speed (3X) option
- Power-saving clock gating for peripherals
- Three power modes (Run, Wait, Stop) to control power utilization
 - Stop mode shuts down the 56800E core, system clock, and peripheral clock
 - Wait mode shuts down the 56800E core and unnecessary system clock operation
 - Run mode supports full device operation
- Controls the enable/disable functions of the 56800E core WAIT and STOP instructions with write protection capability
- Controls the enable/disable functions of Large Regulator Standby mode with write protection capability
- Permits selected peripherals to run in Stop mode to generate Stop recovery interrupts
- Controls for programmable peripheral and GPIO connections
- Software chip reset
- I/O short address base location control
- Peripheral protection control to provide runaway code protection for safety-critical applications
- Controls output of internal clock sources to CLK0 pin
- Four general-purpose software control registers are reset only at power-on
- Peripherals Stop mode clocking control

6.3 Register Descriptions

A write to an address without an associated register is an NOP. A read from an address without an associated register returns unknown data.

Table 6-1 SIM Registers (SIM_BASE = \$00 F100)

| Register Acronym | Base Address + | Register Name | Section Location |
|------------------|----------------|---|------------------------|
| CTRL | \$0 | Control Register | 6.3.1 |
| RSTAT | \$1 | Reset Status Register | 6.3.2 |
| SWC0 | \$2 | Software Control Register 0 | 6.3.3 |
| SWC1 | \$3 | Software Control Register 1 | 6.3.3 |
| SWC2 | \$4 | Software Control Register 2 | 6.3.3 |
| SWC3 | \$5 | Software Control Register 3 | 6.3.3 |
| MSHID | \$6 | Most Significant Half of JTAG ID | 6.3.4 |
| LSHID | \$7 | Least Significant Half of JTAG ID | 6.3.5 |
| PWR | \$8 | Power Control Register | 6.3.6 |
| | | Reserved | |
| CLKOUT | \$A | CLKO Select Register | 6.3.7 |
| PCR | \$B | Peripheral Clock Rate Register | 6.3.8 |
| PCE0 | \$C | Peripheral Clock Enable Register 0 | 6.3.9 |
| PCE1 | \$D | Peripheral Clock Enable Register 0 | 6.3.10 |
| SD0 | \$E | Stop Disable Register 0 | 6.3.11 |
| SD1 | \$F | Stop Disable Register 1 | 6.3.12 |
| IOSAHI | \$10 | I/O Short Address Location High Register | 6.3.13 |
| IOSALO | \$11 | I/O Short Address Location Low Register | 6.3.14 |
| PROT | \$12 | Protection Register | 6.3.15 |
| GPSA0 | \$13 | GPIO Peripheral Select Register 0 for GPIOA | 6.3.16 |
| GPSA1 | \$14 | GPIO Peripheral Select Register 1 for GPIOA | 6.3.17 |
| GPSB0 | \$15 | GPIO Peripheral Select Register 0 for GPIOB | 6.3.18 |
| GPSB1 | \$16 | GPIO Peripheral Select Register 1 for GPIOB | 6.3.19 |
| GPSCD | \$17 | GPIO Peripheral Select Register for GPIOC and GPIOD | 6.3.20 |
| IPS0 | \$18 | Internal Peripheral Source Select Register 0 for PWM | 6.3.21 |
| IPS1 | \$19 | Internal Peripheral Source Select Register 1 for DACs | 6.3.22 |
| IPS2 | \$1A | Internal Peripheral Source Select Register 2 for Quad Timer A | 6.3.23 |
| | | Reserved | |

| Addr. Offset | Address Acronym | | 15 | 14 | 13 | 12 | 11 | 10 | 9 | 8 | 7 | 6 | 5 | 4 | 3 | 2 | 1 | 0 | |
|--------------|-----------------|---|-------------------------|---------|-------------|---------|-------------|--------|---------|------------|--------------|---------|------------|----------|--------------|-------------|--------------|--------|---|
| \$0 | SIM_CTRL | R | 0 | 0 | 0 | 0 | 0 | 0 | 0 | 0 | 0 | 0 | ONCE_EBL | SW_RST | STOP_DISABLE | | WAIT_DISABLE | | |
| | | W | | | | | | | | | | | | | | | | | |
| \$1 | SIM_RSTAT | R | 0 | 0 | 0 | 0 | 0 | 0 | 0 | 0 | 0 | 0 | SWR | COP_TOR | COP_LOR | EXTR | POR | 0 | 0 |
| | | W | | | | | | | | | | | | | | | | | |
| \$2 | SIM_SWC0 | R | Software Control Data 0 | | | | | | | | | | | | | | | | |
| | | W | | | | | | | | | | | | | | | | | |
| \$3 | SIM_SWC1 | R | Software Control Data 1 | | | | | | | | | | | | | | | | |
| | | W | | | | | | | | | | | | | | | | | |
| \$4 | SIM_SWC2 | R | Software Control Data 2 | | | | | | | | | | | | | | | | |
| | | W | | | | | | | | | | | | | | | | | |
| \$5 | SIM_SWC3 | R | Software Control Data 3 | | | | | | | | | | | | | | | | |
| | | W | | | | | | | | | | | | | | | | | |
| \$6 | SIM_MSHID | R | 0 | 0 | 0 | 0 | 0 | 0 | 0 | 1 | 1 | 1 | 1 | 1 | 0 | 0 | 1 | 0 | |
| | | W | | | | | | | | | | | | | | | | | |
| \$7 | SIM_LSHID | R | 1 | 0 | 0 | 0 | 0 | 0 | 0 | 0 | 0 | 0 | 0 | 1 | 1 | 1 | 0 | 1 | |
| | | W | | | | | | | | | | | | | | | | | |
| \$8 | SIM_PWR | R | 0 | 0 | 0 | 0 | 0 | 0 | 0 | 0 | 0 | 0 | 0 | 0 | 0 | 0 | LRSTDBY | | |
| | | W | | | | | | | | | | | | | | | | | |
| Reserved | | | | | | | | | | | | | | | | | | | |
| \$A | SIM_CLKOUT | R | 0 | 0 | 0 | 0 | 0 | 0 | PWM3 | PWM2 | PWM1 | PWM0 | CLK_DIS | CLKOSEL | | | | | |
| | | W | | | | | | | | | | | | | | | | | |
| \$B | SIM_PCR | R | TMRB_CR | TMRA_CR | PWM_CR | I2C_CR | 0 | 0 | 0 | 0 | 0 | 0 | 0 | 0 | 0 | 0 | 0 | 0 | |
| | | W | | | | | | | | | | | | | | | | | |
| \$C | SIM_PCE0 | R | CMPB | CMPA | DAC1 | DAC0 | 0 | ADC | 0 | 0 | 0 | I2C | QSCI1 | QSCI0 | QSPI1 | QSPI0 | 0 | PWM | |
| | | W | | | | | | | | | | | | | | | | | |
| \$D | SIM_PCE1 | R | 0 | PIT2 | PIT1 | PIT0 | 0 | 0 | 0 | 0 | TB3 | TB2 | TB1 | TB0 | TA3 | TA2 | TA1 | TA0 | |
| | | W | | | | | | | | | | | | | | | | | |
| \$E | SIM_SD0 | R | CMPB_SD | CMPA_SD | DAC1_SD | DAC0_SD | 0 | ADC_SD | 0 | 0 | 0 | I2C_SD | QSCI1_SD | QSCI0_SD | QSPI1_SD | QSPI0_SD | 0 | PWM_SD | |
| | | W | | | | | | | | | | | | | | | | | |
| \$F | SIM_SD1 | R | 0 | PIT2_SD | PIT1_SD | PIT0_SD | 0 | 0 | 0 | 0 | TB3_SD | TB2_SD | TB1_SD | TB0_SD | TA3_SD | TA2_SD | TA1_SD | TA0_SD | |
| | | W | | | | | | | | | | | | | | | | | |
| \$10 | SIM_IOSAHI | R | 0 | 0 | 0 | 0 | 0 | 0 | 0 | 0 | 0 | 0 | 0 | 0 | 0 | ISAL[23:22] | | | |
| | | W | | | | | | | | | | | | | | | | | |
| \$11 | SIM_IOSALO | R | ISAL[21:6] | | | | | | | | | | | | | | | | |
| | | W | | | | | | | | | | | | | | | | | |
| \$12 | SIM_PROT | R | 0 | 0 | 0 | 0 | 0 | 0 | 0 | 0 | 0 | 0 | 0 | 0 | PCEP | | GIPSP | | |
| | | W | | | | | | | | | | | | | | | | | |
| \$13 | SIM_GPSA0 | R | 0 | 0 | 0 | GPS_A6 | GPS_A5 | | GPS_A4 | | 0 | 0 | 0 | 0 | 0 | 0 | 0 | 0 | |
| | | W | | | | | | | | | | | | | | | | | |
| \$14 | SIM_GPSA1 | R | 0 | 0 | GPS_A14 | | GPS_A13 | | GPS_A12 | | 0 | GPS_A11 | 0 | GPS_A10 | GPS_A9 | | GPS_A8 | | |
| | | W | | | | | | | | | | | | | | | | | |
| \$15 | SIM_GPSB0 | R | 0 | GPS_B6 | | GPS_B5 | | GPS_B4 | | GPS_B3 | | GPS_B2 | | 0 | GPS_B1 | 0 | GPS_B0 | | |
| | | W | | | | | | | | | | | | | | | | | |
| \$16 | SIM_GPSB1 | R | 0 | 0 | 0 | 0 | 0 | 0 | GPS_B11 | 0 | GPS_B10 | 0 | GPS_B9 | 0 | GPS_B8 | 0 | GPS_B7 | | |
| | | W | | | | | | | | | | | | | | | | | |
| \$17 | SIM_GPS_C8 | R | 0 | 0 | 0 | GPS_D5 | 0 | 0 | 0 | 0 | 0 | 0 | GPS_C12 | 0 | GPS_C8 | 0 | 0 | | |
| | | W | | | | | | | | | | | | | | | | | |
| \$18 | SIM_IPS0 | R | 0 | 0 | IPS0_FAULT2 | 0 | IPS0_FAULT1 | 0 | 0 | IPS0_PSRC2 | | | IPS0_PSRC1 | | | IPS0_PSRC0 | | | |
| | | W | | | | | | | | | | | | | | | | | |
| \$19 | SIM_IPS1 | R | 0 | 0 | 0 | 0 | 0 | 0 | 0 | 0 | IPS1_DSYNCR1 | | | 0 | IPS1_DSYNCR0 | | | | |
| | | W | | | | | | | | | | | | | | | | | |

| | | | | | | | | | | | | | | | | | | |
|----------|----------|---|---|---|---|----------|---|---|---|----------|---|---|---|----------|---|---|---|---|
| \$1A | SIM_IPS2 | R | 0 | 0 | 0 | IPS2_TA3 | 0 | 0 | 0 | IPS2_TA2 | 0 | 0 | 0 | IPS2_TA1 | 0 | 0 | 0 | 0 |
| | | W | | | | | | | | | | | | | | | | |
| Reserved | | | | | | | | | | | | | | | | | | |

= Read as 0
 = Read as 1
 = Reserved

Figure 6-1 SIM Register Map Summary

6.3.1 SIM Control Register (SIM_CTRL)

| Base + \$0 | 15 | 14 | 13 | 12 | 11 | 10 | 9 | 8 | 7 | 6 | 5 | 4 | 3 | 2 | 1 | 0 |
|------------|----|----|----|----|----|----|---|---|---|---|-------------|-----------|------------------|---|------------------|---|
| Read | 0 | 0 | 0 | 0 | 0 | 0 | 0 | 0 | 0 | 0 | ONCE EBL | SW RST | STOP_ DISABLE | | WAIT_ DISABLE | |
| Write | | | | | | | | | | | | | | | | |
| RESET | 0 | 0 | 0 | 0 | 0 | 0 | 0 | 0 | 0 | 0 | 0 | 0 | 0 | 0 | 0 | 0 |

Figure 6-2 SIM Control Register (SIM_CTRL)

6.3.1.1 Reserved—Bits 15–6

This bit field is reserved. Each bit must be set to 0.

6.3.1.2 OnCE Enable (ONCEEBL)—Bit 5

- 0 = OnCE clock to 56800E core enabled when core TAP is enabled
- 1 = OnCE clock to 56800E core is always enabled

Note: Using default state “0” is recommended.

6.3.1.3 Software Reset (SWRST)—Bit 4

- Writing 1 to this field will cause the device to reset
- Read is zero

6.3.1.4 Stop Disable (STOP_DISABLE)—Bits 3–2

- 00 = Stop mode will be entered when the 56800E core executes a STOP instruction
- 01 = The 56800E STOP instruction will not cause entry into Stop mode
- 10 = Stop mode will be entered when the 56800E core executes a STOP instruction and the STOP_DISABLE field is write-protected until the next reset
- 11 = The 56800E STOP instruction will not cause entry into Stop mode and the STOP_DISABLE field is write-protected until the next reset

6.3.1.5 Wait Disable (WAIT_DISABLE)—Bits 1–0

- 00 = Wait mode will be entered when the 56800E core executes a WAIT instruction
- 01 = The 56800E WAIT instruction will not cause entry into Wait mode
- 10 = Wait mode will be entered when the 56800E core executes a WAIT instruction and the WAIT_DISABLE field is write-protected until the next reset
- 11 = The 56800E WAIT instruction will not cause entry into Wait mode and the WAIT_DISABLE field is write-protected until the next reset

6.3.2 SIM Reset Status Register (SIM_RSTAT)

This read-only register is updated upon any system reset and indicates the cause of the most recent reset. It indicates whether the COP reset vector or regular reset vector (including Power-On Reset, External Reset, Software Reset) in the vector table is used. This register is asynchronously reset during Power-On Reset and subsequently is synchronously updated based on the precedence level of reset inputs. Only the most recent reset source will be indicated if multiple resets occur. If multiple reset sources assert simultaneously, the highest-precedence source will be indicated. The precedence from highest to lowest is Power-On Reset, External Reset, COP Loss of Reference Reset, COP Time-Out Reset, and Software Reset. Power-On Reset is always set during a Power-On Reset; however, Power-On Reset will be cleared and External Reset will be set if the external reset pin is asserted or remains asserted after the Power-On Reset has deasserted.

| Base + \$1 | 15 | 14 | 13 | 12 | 11 | 10 | 9 | 8 | 7 | 6 | 5 | 4 | 3 | 2 | 1 | 0 | |
|------------|----|----|----|----|----|----|---|---|---|---|-----|---------|---------|------|-----|---|---|
| Read | 0 | 0 | 0 | 0 | 0 | 0 | 0 | 0 | 0 | 0 | SWR | COP_TOR | COP_LOR | EXTR | POR | 0 | 0 |
| Write | | | | | | | | | | | | | | | | | |
| RESET | 0 | 0 | 0 | 0 | 0 | 0 | 0 | 0 | 0 | 0 | 0 | 0 | 0 | 1 | 0 | 0 | |

Figure 6-3 SIM Reset Status Register (SIM_RSTAT)

6.3.2.1 Reserved—Bits 15–7

This bit field is reserved. Each bit must be set to 0.

6.3.2.2 Software Reset (SWR)—Bit 6

When set, this bit indicates that the previous system reset occurred as a result of a software reset (written 1 to SWRST bit in the SIM_CTRL register).

6.3.2.3 COP Time-Out Reset (COP_TOR)—Bit 5

When set, this bit indicates that the previous system reset was caused by the Computer Operating Properly (COP) module signaling a COP time-out reset. If COP_TOR is set as code starts executing, the COP reset vector in the vector table will be used. Otherwise, the normal reset vector is used.

6.3.2.4 COP Loss of Reference Reset (COP_LOR)—Bit 4

When set, this bit indicates that the previous system reset was caused by the Computer Operating Properly (COP) module signaling a loss of COP reference clock reset. If COP_LOR is set as code starts executing, the COP reset vector in the vector table will be used. Otherwise, the normal reset vector is used.

6.3.2.5 External Reset (EXTR)—Bit 3

When set, this bit indicates that the previous system reset was caused by an external reset.

6.3.2.6 Power-On Reset (POR)—Bit 2

This bit is set during a Power-On Reset.

6.3.2.7 Reserved—Bits 1–0

This bit field is reserved. Each bit must be set to 0.

6.3.3 SIM Software Control Registers (SIM_SWC0, SIM_SWC1, SIM_SWC2, and SIM_SWC3)

These registers are general-purpose registers. They are reset only at power-on, so they can monitor software execution flow.

| Base + \$2 | 15 | 14 | 13 | 12 | 11 | 10 | 9 | 8 | 7 | 6 | 5 | 4 | 3 | 2 | 1 | 0 |
|------------|-----------------------------|----|----|----|----|----|---|---|---|---|---|---|---|---|---|---|
| Read | Software Control Data 0 - 3 | | | | | | | | | | | | | | | |
| Write | | | | | | | | | | | | | | | | |
| RESET | 0 | 0 | 0 | 0 | 0 | 0 | 0 | 0 | 0 | 0 | 0 | 0 | 0 | 0 | 0 | 0 |

Figure 6-4 SIM Software Control Register 0 (SIM_SWC0 - 3)

6.3.3.1 Software Control Register 0 - 3 (FIELD)—Bits 15–0

This register is reset only by the Power-On Reset (POR). It is intended for use by a software developer to contain data that will be unaffected by the other reset sources (external reset, software reset, and COP reset).

6.3.4 Most Significant Half of JTAG ID (SIM_MSHID)

This read-only register displays the most significant half of the JTAG ID for the chip. This register reads \$01F2.

| Base + \$6 | 15 | 14 | 13 | 12 | 11 | 10 | 9 | 8 | 7 | 6 | 5 | 4 | 3 | 2 | 1 | 0 |
|------------|----|----|----|----|----|----|---|---|---|---|---|---|---|---|---|---|
| Read | 0 | 0 | 0 | 0 | 0 | 0 | 0 | 1 | 1 | 1 | 1 | 1 | 0 | 0 | 1 | 0 |
| Write | | | | | | | | | | | | | | | | |
| RESET | 0 | 0 | 0 | 0 | 0 | 0 | 0 | 1 | 1 | 1 | 1 | 1 | 0 | 0 | 1 | 0 |

Figure 6-5 Most Significant Half of JTAG ID (SIM_MSHID)

6.3.5 Least Significant Half of JTAG ID (SIM_LSHID)

This read-only register displays the least significant half of the JTAG ID for the chip. This register reads \$801D.

| Base + \$7 | 15 | 14 | 13 | 12 | 11 | 10 | 9 | 8 | 7 | 6 | 5 | 4 | 3 | 2 | 1 | 0 |
|------------|----|----|----|----|----|----|---|---|---|---|---|---|---|---|---|---|
| Read | 1 | 0 | 0 | 0 | 0 | 0 | 0 | 0 | 0 | 0 | 0 | 1 | 1 | 1 | 0 | 1 |
| Write | | | | | | | | | | | | | | | | |
| RESET | 1 | 0 | 0 | 0 | 0 | 0 | 0 | 0 | 0 | 0 | 0 | 1 | 1 | 1 | 0 | 1 |

Figure 6-6 Least Significant Half of JTAG ID (SIM_LSHID)

6.3.6 SIM Power Control Register (SIM_PWR)

This register controls the Standby mode of the large on-chip regulator. The large on-chip regulator derives the core digital logic power supply from the IO power supply. At a system bus frequency of 200kHz, the large regulator may be put in a reduced-power standby mode without interfering with device operation to reduce device power consumption. Refer to the overview of power-down modes and the overview of clock generation for more information on the use of large regulator standby.

| Base + \$8 | 15 | 14 | 13 | 12 | 11 | 10 | 9 | 8 | 7 | 6 | 5 | 4 | 3 | 2 | 1 | 0 |
|------------|----|----|----|----|----|----|---|---|---|---|---|---|---|---|---------|---|
| Read | 0 | 0 | 0 | 0 | 0 | 0 | 0 | 0 | 0 | 0 | 0 | 0 | 0 | 0 | LRSTDBY | |
| Write | | | | | | | | | | | | | | | | |
| RESET | 0 | 0 | 0 | 0 | 0 | 0 | 0 | 0 | 0 | 0 | 0 | 0 | 0 | 0 | 0 | 0 |

Figure 6-7 SIM Power Control Register (SIM_PWR)

6.3.6.1 Reserved—Bits 15–2

This bit field is reserved. Each bit must be set to 0.

6.3.6.2 Large Regulator Standby Mode[1:0] (LRSTDBY)—Bits 1–0

- 00 = Large regulator is in Normal mode
- 01 = Large regulator is in Standby (reduced-power) mode
- 10 = Large regulator is in Normal mode and the LRSTDBY field is write-protected until the next reset
- 11 = Large regulator is in Standby mode and the LRSTDBY field is write-protected until the next reset

6.3.7 Clock Output Select Register (SIM_CLKOUT)

The Clock Output Select register can be used to multiplex out selected clock sources generated inside the clock generation and SIM modules onto the muxed clock output pins. All functionality is for test purposes only. Glitches may be produced when the clock is enabled or switched. The delay from the clock source to the output is unspecified. The observability of the CLKO clock output signal at an output pad is subject to the frequency limitations of the associated IO cell.

GPIOA[3:0] can function as GPIO, PWM, or as clock output pins. If GPIOA[3:0] are programmed to operate as peripheral outputs, then the choice is between PWM and clock outputs. The default state is for the peripheral function of GPIOA[3:0] to be programmed as PWM (selected by bits [9:6] of the Clock Output Select register).

GPIOB4 can function as GPIO, or as other peripheral outputs, including clock output (CLKO). If GPIOB4 is programmed to operate as a peripheral output and CLKO is selected in the SIM_GPSB0 register, bits [4:0] decide if CLKO is enabled or disabled and which clock source is selected if CLKO is enabled. See [Figure 6-8](#) for details.

| Base + \$A | 15 | 14 | 13 | 12 | 11 | 10 | 9 | 8 | 7 | 6 | 5 | 4 | 3 | 2 | 1 | 0 |
|------------|----|----|----|----|----|----|--------------------------|--------------------------|--------------------------|--------------------------|---------|---------|---|---|---|---|
| Read | 0 | 0 | 0 | 0 | 0 | 0 | $\overline{\text{PWM3}}$ | $\overline{\text{PWM2}}$ | $\overline{\text{PWM1}}$ | $\overline{\text{PWM0}}$ | CLK DIS | CLKOSEL | | | | |
| Write | | | | | | | | | | | | | | | | |
| RESET | 0 | 0 | 0 | 0 | 0 | 0 | 0 | 0 | 0 | 0 | 1 | 0 | 0 | 0 | 0 | 0 |

Figure 6-8 CLKO Select Register (SIM_CLKOUT)

6.3.7.1 Reserved—Bits 15–10

This bit field is reserved. Each bit must be set to 0.

6.3.7.2 $\overline{\text{PWM3}}$ —Bit 9

- 0 = Peripheral output function of GPIOA[3] is defined to be $\overline{\text{PWM3}}$
- 1 = Peripheral output function of GPIOA[3] is defined to be the Relaxation Oscillator Clock

6.3.7.3 $\overline{\text{PWM2}}$ —Bit 8

- 0 = Peripheral output function of GPIOA[2] is defined to be $\overline{\text{PWM2}}$
- 1 = Peripheral output function of GPIOA[2] is defined to be the system clock

6.3.7.4 $\overline{\text{PWM1}}$ —Bit 7

- 0 = Peripheral output function of GPIOA[1] is defined to be $\overline{\text{PWM1}}$
- 1 = Peripheral output function of GPIOA[1] is defined to be 2X system clock

6.3.7.5 $\overline{\text{PWM0}}$ —Bit 6

- 0 = Peripheral output function of GPIOA[0] is defined to be $\overline{\text{PWM0}}$
- 1 = Peripheral output function of GPIOA[0] is defined to be 3X system clock

6.3.7.6 Clockout Disable (CLKDIS)—Bit 5

- 0 = CLKOUT output function is enabled and will output the signal indicated by CLKOSEL
- 1 = CLKOUT output function is disabled

6.3.7.7 Clockout Select (CLKOSEL)—Bits 4–0

CLKOSEL selects clock to be muxed out on the CLKO pin as defined in the following. Internal delay to CLKO output is unspecified. Signal at the output pad is undefined when CLKO signal frequency exceeds the rated frequency of the I/O cell. CLKO may not operate as expected when CLKDIS and CLKOSEL settings are changed.

- 00000 = Continuous system clock
- 00001 = Continuous peripheral clock
- 00010 = 3X system clock
- 00100.....11111 = Reserved for factory test

6.3.8 Peripheral Clock Rate Register (SIM_PCR)

By default, all peripherals are clocked at the system clock rate, which has a maximum of 32MHz. Selected peripherals clocks have the option to be clocked at 3X system clock rate, which has a maximum of 96MHz, if the PLL output clock is selected as the system clock. If PLL is disabled, the 3X system clock will not be available. This register is used to enable high-speed clocking for those peripherals that support it.

Note: Operation is unpredictable if peripheral clocks are reconfigured at runtime, so peripherals should be disabled before a peripheral clock is reconfigured.

| Base + \$B | 15 | 14 | 13 | 12 | 11 | 10 | 9 | 8 | 7 | 6 | 5 | 4 | 3 | 2 | 1 | 0 |
|------------|---------|---------|--------|--------|----|----|---|---|---|---|---|---|---|---|---|---|
| Read | TMRB_CR | TMRA_CR | PWM_CR | I2C_CR | 0 | 0 | 0 | 0 | 0 | 0 | 0 | 0 | 0 | 0 | 0 | 0 |
| Write | | | | | | | | | | | | | | | | |
| RESET | 0 | 0 | 0 | 0 | 0 | 0 | 0 | 0 | 0 | 0 | 0 | 0 | 0 | 0 | 0 | 0 |

Figure 6-9 Peripheral Clock Rate Register (SIM_PCR)

6.3.8.1 Quad Timer B Clock Rate (TMRB_CR)—Bit 15

This bit selects the clock speed for the Quad Timer B module.

- 0 = Quad Timer B clock rate equals the system clock rate, to a maximum 32MHz (default)
- 1 = Quad Timer B clock rate equals 3X system clock rate, to a maximum 96MHz

6.3.8.2 Quad Timer A Clock Rate (TMRA_CR)—Bit 14

This bit selects the clock speed for the Quad Timer A module.

- 0 = Quad Timer A clock rate equals the system clock rate, to a maximum 32MHz (default)
- 1 = Quad Timer A clock rate equals 3X system clock rate, to a maximum 96MHz

6.3.8.3 Pulse Width Modulator Clock Rate (PWM_CR)—Bit 13

This bit selects the clock speed for the PWM module.

- 0 = PWM module clock rate equals the system clock rate, to a maximum 32MHz (default)
- 1 = PWM module clock rate equals 3X system clock rate, to a maximum 96MHz

6.3.8.4 Inter-Integrated Circuit Run Clock Rate (I2C_CR)—Bit 12

This bit selects the clock speed for the I²C run clock.

- 0 = I²C module run clock rate equals the system clock rate, to a maximum 32MHz (default)
- 1 = I²C module run clock rate equals 3X system clock rate, to a maximum 96MHz

6.3.8.5 Reserved—Bits 11–0

This bit field is reserved. Each bit must be set to 0.

6.3.9 Peripheral Clock Enable Register 0 (SIM_PCE0)

The Peripheral Clock Enable register enables or disables clocks to the peripherals as a power savings feature. Significant power savings are achieved by enabling only the peripheral clocks that are in use. When a peripheral's clock is disabled, that peripheral is in Stop mode. Accesses made to a module that has its clock disabled will have no effect. The corresponding peripheral should itself be disabled while its clock is shut off. IPBus writes are not possible.

Setting the PCE bit does not guarantee that the peripheral's clock is running. Enabled peripheral clocks will still become disabled in Stop mode, unless the peripheral's Stop Disable control in the SDn register is set to 1.

Note: The MSCAN module supports extended power management capabilities, including Sleep, Stop-in-Wait, and Disable modes. MSCAN clocks are selected by MSCAN control registers. Refer to the **56F802x and 56F803x Peripheral Reference Manual** for details.

| Base + \$C | 15 | 14 | 13 | 12 | 11 | 10 | 9 | 8 | 7 | 6 | 5 | 4 | 3 | 2 | 1 | 0 |
|------------|------|------|------|------|----|-----|---|---|---|-----|-------|-------|-------|-------|---|-----|
| Read | CMPB | CMPA | DAC1 | DAC0 | 0 | ADC | 0 | 0 | 0 | I2C | QSCI1 | QSCI0 | QSPI1 | QSPI0 | 0 | PWM |
| Write | | | | | | | | | | | | | | | | |
| RESET | 0 | 0 | 0 | 0 | 0 | 0 | 0 | 0 | 0 | 0 | 0 | 0 | 0 | 0 | 0 | 0 |

Figure 6-10 Peripheral Clock Enable Register 0 (SIM_PCE0)

6.3.9.1 Comparator B Clock Enable (CMPB)—Bit 15

- 0 = The clock is not provided to the Comparator B module (the Comparator B module is disabled)
- 1 = The clock is enabled to the Comparator B module

6.3.9.2 Comparator A Clock Enable (CMPA)—Bit 14

- 0 = The clock is not provided to the Comparator A module (the Comparator A module is disabled)
- 1 = The clock is enabled to the Comparator A module

6.3.9.3 Digital-to-Analog Clock Enable 1 (DAC1)—Bit 13

- 0 = The clock is not provided to the DAC1 module (the DAC1 module is disabled)
- 1 = The clock is enabled to the DAC1 module

6.3.9.4 Digital-to-Analog Clock Enable 0 (DAC0)—Bit 12

- 0 = The clock is not provided to the DAC0 module (the DAC0 module is disabled)
- 1 = The clock is enabled to the DAC0 module

6.3.9.5 Reserved—Bit 11

This bit field is reserved. It must be set to 0.

6.3.9.6 Analog-to-Digital Converter Clock Enable (ADC)—Bit 10

- 0 = The clock is not provided to the ADC module (the ADC module is disabled)
- 1 = The clock is enabled to the ADC module

6.3.9.7 Reserved—Bits 9–7

This bit field is reserved. Each bit must be set to 0.

6.3.9.8 Inter-Integrated Circuit IPBus Clock Enable (I2C)—Bit 6

- 0 = The clock is not provided to the I²C module (the I²C module is disabled)
- 1 = The clock is enabled to the I²C module

6.3.9.9 QSCI 1 Clock Enable (QSCI1)—Bit 5

- 0 = The clock is not provided to the QSCI1 module (the QSCI1 module is disabled)
- 1 = The clock is enabled to the QSCI1 module

6.3.9.10 QSCI 0 Clock Enable (QSCI0)—Bit 4

- 0 = The clock is not provided to the QSCI0 module (the QSCI0 module is disabled)
- 1 = The clock is enabled to the QSCI0 module

6.3.9.11 QSPI 1 Clock Enable (QSPI1)—Bit 3

- 0 = The clock is not provided to the QSPI1 module (the QSPI1 module is disabled)
- 1 = The clock is enabled to the QSPI1 module

6.3.9.12 QSPI 0 Clock Enable (QSPI0)—Bit 2

- 0 = The clock is not provided to the QSPI0 module (the QSPI0 module is disabled)
- 1 = The clock is enabled to the QSPI0 module

6.3.9.13 Reserved—Bit 1

This bit field is reserved. It must be set to 0.

6.3.9.14 PWM Clock Enable (PWM)—Bit 0

- 0 = The clock is not provided to the PWM module (the PWM module is disabled)
- 1 = The clock is enabled to the PWM module

6.3.10 Peripheral Clock Enable Register 1 (SIM_PCE1)

See [Section 6.3.9](#) for general information about Peripheral Clock Enable registers.

| Base + \$D | 15 | 14 | 13 | 12 | 11 | 10 | 9 | 8 | 7 | 6 | 5 | 4 | 3 | 2 | 1 | 0 |
|------------|----|------|------|------|----|----|---|---|-----|-----|-----|-----|-----|-----|-----|-----|
| Read | 0 | PIT2 | PIT1 | PIT0 | 0 | 0 | 0 | 0 | TB3 | TB2 | TB1 | TB0 | TA3 | TA2 | TA1 | TA0 |
| Write | | | | | | | | | | | | | | | | |
| RESET | 0 | 0 | 0 | 0 | 0 | 0 | 0 | 0 | 0 | 0 | 0 | 0 | 0 | 0 | 0 | 0 |

Figure 6-11 Peripheral Clock Enable Register 1 (SIM_PCE1)

6.3.10.1 Reserved—Bit 15

This bit field is reserved. It must be set to 0.

6.3.10.2 Programmable Interval Timer 2 Clock Enable (PIT2)—Bit 14

- 0 = The clock is not provided to the PIT2 module (the PIT2 module is disabled)
- 1 = The clock is enabled to the PIT2 module

6.3.10.3 Programmable Interval Timer 1 Clock Enable (PIT1)—Bit 13

- 0 = The clock is not provided to the PIT1 module (the PIT1 module is disabled)
- 1 = The clock is enabled to the PIT1 module

6.3.10.4 Programmable Interval Timer 0 Clock Enable (PIT0)—Bit 12

- 0 = The clock is not provided to the PIT0 module (the PIT0 module is disabled)
- 1 = The clock is enabled to the PIT0 module

6.3.10.5 Reserved—Bits 11–8

This bit field is reserved. Each bit must be set to 0.

6.3.10.6 Quad Timer B, Channel 3 Clock Enable (TB3)—Bit 7

- 0 = The clock is not provided to the Timer B3 module (the Timer B3 module is disabled)
- 1 = The clock is enabled to the Timer B3 module

6.3.10.7 Quad Timer B, Channel 2 Clock Enable (TB2)—Bit 6

- 0 = The clock is not provided to the Timer B2 module (the Timer B2 module is disabled)
- 1 = The clock is enabled to the Timer B2 module

6.3.10.8 Quad Timer B, Channel 1 Clock Enable (TB1)—Bit 5

- 0 = The clock is not provided to the Timer B1 module (the Timer B1 module is disabled)
- 1 = The clock is enabled to the Timer B1 module

6.3.10.9 Quad Timer B, Channel 0 Clock Enable (TB0)—Bit 4

- 0 = The clock is not provided to the Timer B0 module (the Timer B0 module is disabled)
- 1 = The clock is enabled to the Timer B0 module

6.3.10.10 Quad Timer A, Channel 3 Clock Enable (TA3)—Bit 3

- 0 = The clock is not provided to the Timer A3 module (the Timer A3 module is disabled)
- 1 = The clock is enabled to the Timer A3 module

6.3.10.11 Quad Timer A, Channel 2 Clock Enable (TA2)—Bit 2

- 0 = The clock is not provided to the Timer A2 module (the Timer A2 module is disabled)
- 1 = The clock is enabled to the Timer A2 module

6.3.10.12 Quad Timer A, Channel 1 Clock Enable (TA1)—Bit 1

- 0 = The clock is not provided to the Timer A1 module (the Timer A1 module is disabled)
- 1 = The clock is enabled to the Timer A1 module

6.3.10.13 Quad Timer A, Channel 0 Clock Enable (TA0)—Bit 0

- 0 = The clock is not provided to the Timer A0 module (the Timer A0 module is disabled)
- 1 = The clock is enabled to the Timer A0 module

6.3.11 Stop Disable Register 0 (SD0)

By default, peripheral clocks are disabled during Stop mode in order to maximize power savings. This register will allow an individual peripheral to operate in Stop mode. Since asserting an interrupt causes the system to return to Run mode, this feature is provided so that selected peripherals can be left operating in Stop mode for the purpose of generating a wake-up interrupt.

For power-conscious applications, it is recommended that only a minimum set of peripherals be configured to remain operational during Stop mode.

Peripherals should be put in a non-operating (disabled) configuration prior to entering Stop mode unless their corresponding Stop Disable control is set to 1. Refer to the **56F802x and 56F803x Peripheral Reference Manual** for further details. Reads and writes cannot be made to a module that has its clock disabled.

Note: The MSCAN module supports extended power management capabilities including Sleep, Stop-in-Wait, and Disable modes. MSCAN clocks are selected by MSCAN control registers. For details, refer to the **56F802x and 56F803x Peripheral Reference Manual**.

| Base + \$E | 15 | 14 | 13 | 12 | 11 | 10 | 9 | 8 | 7 | 6 | 5 | 4 | 3 | 2 | 1 | 0 |
|--------------|---------|---------|---------|---------|----|--------|---|---|---|--------|----------|----------|----------|----------|---|--------|
| Read | CMPB_SD | CMPA_SD | DAC1_SD | DAC0_SD | 0 | ADC_SD | 0 | 0 | 0 | I2C_SD | QSCI1_SD | QSCI0_SD | QSPI1_SD | QSPI0_SD | 0 | PWM_SD |
| Write | | | | | | | | | | | | | | | | |
| RESET | 0 | 0 | 0 | 0 | 0 | 0 | 0 | 0 | 0 | 0 | 0 | 0 | 0 | 0 | 0 | 0 |

Figure 6-12 Stop Disable Register 0 (SD0)

6.3.11.1 Comparator B Clock Stop Disable (CMPB_SD)—Bit 15

- 0 = The clock is disabled during Stop mode
- 1 = The clock is enabled during Stop mode if the clock to this peripheral is enabled in the SIM_PCE0 register

6.3.11.2 Comparator A Clock Stop Disable (CMPA_SD)—Bit 14

- 0 = The clock is disabled during Stop mode
- 1 = The clock is enabled during Stop mode if the clock to this peripheral is enabled in the SIM_PCE0 register

6.3.11.3 Digital-to-Analog Converter 1 Clock Stop Disable (DAC1_SD)—Bit 13

- 0 = The clock is disabled during Stop mode
- 1 = The clock is enabled during Stop mode if the clock to this peripheral is enabled in the SIM_PCE0 register

6.3.11.4 Digital-to-Analog Converter 0 Clock Stop Disable (DAC0_SD)—Bit 12

- 0 = The clock is disabled during Stop mode
- 1 = The clock is enabled during Stop mode if the clock to this peripheral is enabled in the SIM_PCE0 register

6.3.11.5 Reserved—Bit 11

This bit field is reserved. It must be set to 0.

6.3.11.6 Analog-to-Digital Converter Clock Stop Disable (ADC_SD)—Bit 10

- 0 = The clock is disabled during Stop mode
- 1 = The clock is enabled during Stop mode if the clock to this peripheral is enabled in the SIM_PCE0 register

6.3.11.7 Reserved—Bits 9–7

This bit field is reserved. Each bit must be set to 0.

6.3.11.8 Inter-Integrated Circuit Clock Stop Disable (I2C_SD)—Bit 6

- 0 = The clock is disabled during Stop mode
- 1 = The clock is enabled during Stop mode if the clock to this peripheral is enabled in the SIM_PCE0 register

6.3.11.9 QSCI1 Clock Stop Disable (QSCI1_SD)—Bit 5

- 0 = The clock is disabled during Stop mode
- 1 = The clock is enabled during Stop mode if the clock to this peripheral is enabled in the SIM_PCE0 register

6.3.11.10 QSCI0 Clock Stop Disable (QSCI0_SD)—Bit 4

- 0 = The clock is disabled during Stop mode
- 1 = The clock is enabled during Stop mode if the clock to this peripheral is enabled in the SIM_PCE0 register

6.3.11.11 QSPI1 Clock Stop Disable (QSPI1_SD)—Bit 3

- 0 = The clock is disabled during Stop mode
- 1 = The clock is enabled during Stop mode if the clock to this peripheral is enabled in the SIM_PCE0 register

6.3.11.12 QSPI0 Clock Stop Disable (QSPI0_SD)—Bit 2

Each bit controls clocks to the indicated peripheral.



- 0 = The clock is disabled during Stop mode
- 1 = The clock is enabled during Stop mode if the clock to this peripheral is enabled in the SIM_PCE0 register

6.3.11.13 Reserved—Bit 1

This bit field is reserved. It must be set to 0.

6.3.11.14 PWM Clock Stop Disable (PWM_SD)—Bit 0

- 0 = The clock is disabled during Stop mode
- 1 = The clock is enabled during Stop mode if the clock to this peripheral is enabled in the SIM_PCE0 register

6.3.12 Stop Disable Register 1 (SD1)

See [Section 6.3.11](#) for general information about Stop Disable Registers.

| Base + \$F | 15 | 14 | 13 | 12 | 11 | 10 | 9 | 8 | 7 | 6 | 5 | 4 | 3 | 2 | 1 | 0 |
|------------|----|---------|---------|---------|----|----|---|---|--------|--------|--------|--------|--------|--------|--------|--------|
| Read | 0 | PIT2_SD | PIT1_SD | PIT0_SD | 0 | 0 | 0 | 0 | TB3_SD | TB2_SD | TB1_SD | TB0_SD | TA3_SD | TA2_SD | TA1_SD | TA0_SD |
| Write | | | | | | | | | | | | | | | | |
| RESET | 0 | 0 | 0 | 0 | 0 | 0 | 0 | 0 | 0 | 0 | 0 | 0 | 0 | 0 | 0 | 0 |

Figure 6-13 Stop Disable Register 1 (SD1)

6.3.12.1 Reserved—Bit 15

This bit field is reserved. It must be set to 0.

6.3.12.2 Programmable Interval Timer 2 Clock Stop Disable (PIT2_SD)—Bit 14

- 0 = The clock is disabled during Stop mode
- 1 = The clock is enabled during Stop mode if the clock to this peripheral is enabled in the SIM_PCE1 register

6.3.12.3 Programmable Interval Timer 1 Clock Stop Disable (PIT1_SD)—Bit 13

- 0 = The clock is disabled during Stop mode
- 1 = The clock is enabled during Stop mode if the clock to this peripheral is enabled in the SIM_PCE1 register

6.3.12.4 Programmable Interval Timer 0 Clock Stop Disable (PIT0_SD)—Bit 12

- 0 = The clock is disabled during Stop mode
- 1 = The clock is enabled during Stop mode if the clock to this peripheral is enabled in the SIM_PCE1 register

6.3.12.5 Reserved—Bits 11–8

This bit field is reserved. Each bit must be set to 0.

6.3.12.6 Quad Timer B, Channel 3 Clock Stop Disable (TB3_SD)—Bit 7

- 0 = The clock is disabled during Stop mode
- 1 = The clock is enabled during Stop mode if the clock to this peripheral is enabled in the SIM_PCE1 register

6.3.12.7 Quad Timer B, Channel 2 Clock Stop Disable (TB2_SD)—Bit 6

- 0 = The clock is disabled during Stop mode
- 1 = The clock is enabled during Stop mode if the clock to this peripheral is enabled in the SIM_PCE1 register

6.3.12.8 Quad Timer B, Channel 1 Clock Stop Disable (TB1_SD)—Bit 5

- 0 = The clock is disabled during Stop mode
- 1 = The clock is enabled during Stop mode if the clock to this peripheral is enabled in the SIM_PCE1 register

6.3.12.9 Quad Timer B, Channel 0 Clock Stop Disable (TB0_SD)—Bit 4

- 0 = The clock is disabled during Stop mode
- 1 = The clock is enabled during Stop mode if the clock to this peripheral is enabled in the SIM_PCE1 register

6.3.12.10 Quad Timer A, Channel 3 Clock Stop Disable (TA3_SD)—Bit 3

- 0 = The clock is disabled during Stop mode
- 1 = The clock is enabled during Stop mode if the clock to this peripheral is enabled in the SIM_PCE1 register

6.3.12.11 Quad Timer A, Channel 2 Clock Stop Disable (TA2_SD)—Bit 2

- 0 = The clock is disabled during Stop mode
- 1 = The clock is enabled during Stop mode if the clock to this peripheral is enabled in the SIM_PCE1 register

6.3.12.12 Quad Timer A, Channel 1 Clock Stop Disable (TA1_SD)—Bit 1

- 0 = The clock is disabled during Stop mode
- 1 = The clock is enabled during Stop mode if the clock to this peripheral is enabled in the SIM_PCE1 register

6.3.12.13 Quad Timer A, Channel 0 Clock Stop Disable (TA0_SD)—Bit 0

- 0 = The clock is disabled during Stop mode
- 1 = The clock is enabled during Stop mode if the clock to this peripheral is enabled in the SIM_PCE1 register

6.3.13 I/O Short Address Location Register High (SIM_IOSAHI)

In I/O short address mode, the instruction specifies only 6 LSBs of the effective address; the upper 18 bits are “hard coded” to a specific area of memory. This scheme allows efficient access to a 64-location area in peripheral space with single word instruction. Short address location registers specify the upper 18 bits

of I/O address, which are “hard coded”. These registers allow access to peripherals using I/O short address mode, regardless of the physical location of the peripheral, as shown in [Figure 6-14](#).

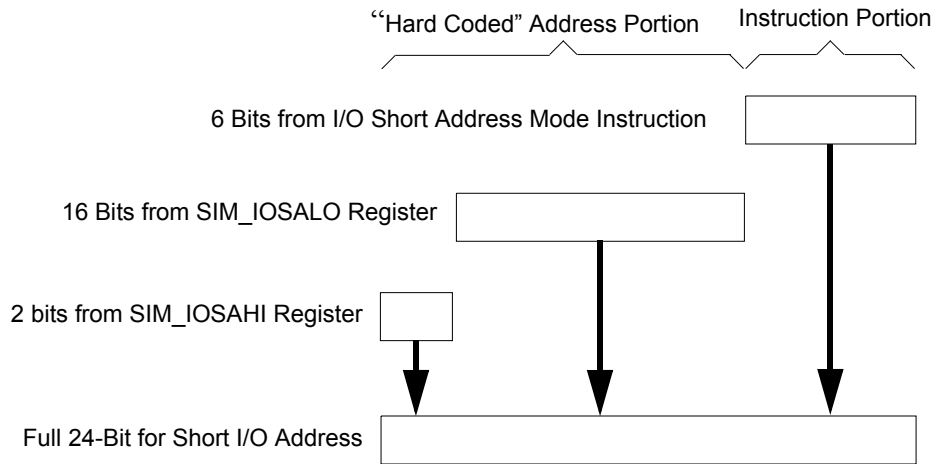


Figure 6-14 I/O Short Address Determination

With this register set, software can set the SIM_IOSAHI and SIM_IOSALO registers to point to its peripheral registers and then use the I/O short addressing mode to access them.

Note: The default value of this register set points to the EOnCE registers.

Note: The pipeline delay between setting this register set and using short I/O addressing with the new value is five instruction cycles.

| Base + \$10 | 15 | 14 | 13 | 12 | 11 | 10 | 9 | 8 | 7 | 6 | 5 | 4 | 3 | 2 | 1 | 0 |
|-------------|----|----|----|----|----|----|---|---|---|---|---|---|---|---|-------------|---|
| Read | 0 | 0 | 0 | 0 | 0 | 0 | 0 | 0 | 0 | 0 | 0 | 0 | 0 | 0 | ISAL[23:22] | |
| Write | | | | | | | | | | | | | | | | |
| RESET | 0 | 0 | 0 | 0 | 0 | 0 | 0 | 0 | 0 | 0 | 0 | 0 | 0 | 0 | 1 | 1 |

Figure 6-15 I/O Short Address Location High Register (SIM_IOSAHI)

6.3.13.1 Reserved—Bits 15—2

This bit field is reserved or not implemented. It is read as 0 and cannot be modified by writing.

6.3.13.2 Input/Output Short Address Location (ISAL[23:22])—Bits 1—0

This field represents the upper two address bits of the “hard coded” I/O short address.

6.3.14 I/O Short Address Location Register Low (SIM_IOSALO)

See [Section 6.3.13](#) for general information about I/O short address location registers.

| Base + \$11 | 15 | 14 | 13 | 12 | 11 | 10 | 9 | 8 | 7 | 6 | 5 | 4 | 3 | 2 | 1 | 0 |
|-------------|------------|----|----|----|----|----|---|---|---|---|---|---|---|---|---|---|
| Read | ISAL[21:6] | | | | | | | | | | | | | | | |
| Write | ISAL[21:6] | | | | | | | | | | | | | | | |
| RESET | 1 | 1 | 1 | 1 | 1 | 1 | 1 | 1 | 1 | 1 | 1 | 1 | 1 | 1 | 1 | 1 |

Figure 6-16 I/O Short Address Location Low Register (SIM_IOSALO)

6.3.14.1 Input/Output Short Address Location (ISAL[21:6])—Bits 15–0

This field represents the lower 16 address bits of the “hard coded” I/O short address.

6.3.15 Protection Register (SIM_PROT)

This register provides write protection of selected control fields for safety-critical applications. The primary purpose is to prevent unsafe conditions due to the unintentional modification of these fields between the onset of a code runaway and a reset by the COP watchdog. The GPIO and Internal Peripheral Select Protection (GIPSP) field protects the contents of registers in the SIM and GPIO modules that control inter-peripheral signal muxing and GPIO configuration. The Peripheral Clock Enable Protection (PCEP) field protects the SIM registers’ contents, which contain peripheral clock controls. Some peripherals provide additional safety features. Refer to the **56F802x and 56F803x Peripheral Reference Manual** for details.

Flexibility is provided so that write protection control values may themselves be optionally locked (write-protected). Protection controls in this register have two bit values which determine the setting of the control and whether the value is locked. While a protection control remains unlocked, protection can be disabled and re-enabled by software. Once a protection control is locked, its value can only be altered by a chip reset, which restores its default non-locked value.

| Base + \$12 | 15 | 14 | 13 | 12 | 11 | 10 | 9 | 8 | 7 | 6 | 5 | 4 | 3 | 2 | 1 | 0 |
|-------------|----|----|----|----|----|----|---|---|---|---|---|---|------|---|-------|---|
| Read | 0 | 0 | 0 | 0 | 0 | 0 | 0 | 0 | 0 | 0 | 0 | 0 | PCEP | | GIPSP | |
| Write | | | | | | | | | | | | | | | | |
| RESET | 0 | 0 | 0 | 0 | 0 | 0 | 0 | 0 | 0 | 0 | 0 | 0 | 0 | 0 | 0 | 0 |

Figure 6-17 Protection Register (SIM_PROT)

6.3.15.1 Reserved—Bits 15–4

This bit field is reserved. Each bit must be set to 0.

6.3.15.2 Peripheral Clock Enable Protection (PCEP)—Bits 3–2

These bits enable write protection of all fields in the PCEn, SDn, and PCR registers in the SIM module.

- 00 = Write protection off (default)
- 01 = Write protection on
- 10 = Write protection off and locked until chip reset

- 11 = Write protection on and locked until chip reset

6.3.15.3 GPIO and Internal Peripheral Select Protection (GIPSP)—Bits 1–0

These bits enable write protection of GPS_n and IPS_n registers in the SIM module and write protect all $GPIO_x_PEREN$, $GPIO_x_PPOUTM$ and $GPIO_x_DRIVE$ registers in GPIO modules.

- 00 = Write protection off (default)
- 01 = Write protection on
- 10 = Write protection off and locked until chip reset
- 11 = Write protection on and locked until chip reset

Note: The PWM fields in the CLKOUT register are also write protected by GIPSP. They are reserved for in-house test only.

6.3.16 SIM GPIO Peripheral Select Register 0 for GPIOA (SIM_GPSA0)

Most I/O pins have an associated GPIO function. In addition to the GPIO function, I/O can be configured to be one of several peripheral functions. The $GPIO_x_PEREN$ register within the GPIO module controls the selection between peripheral or GPIO control of the I/O pins. The GPIO function is selected when the $GPIO_x_PEREN$ bit for the I/O is 0. When the $GPIO_x_PEREN$ bit of the GPIO is 1, the fields in the GPS_n registers select which peripheral function has control of the I/O. **Figure 6-18** illustrates the output path to an I/O pin when an I/O has two peripheral functions. Similar muxing is required on peripheral function inputs to receive input from the properly selected I/O pin.

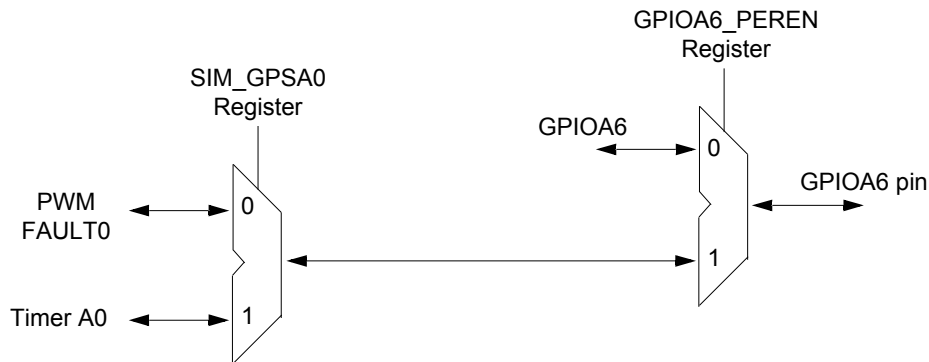


Figure 6-18 Overall Control of Signal Source Using SIM_GPSnn Control

In some cases, the user can choose peripheral function between several I/O, each of which have the option to be programmed to control a specific peripheral function. If the user wishes to use that function, only one of these I/O must be configured to control that peripheral function. If more than one I/O is configured to control the peripheral function, the peripheral output signal will fan out to each I/O, but the peripheral input signal will be the logical OR and AND of all the I/O signals.

Complete lists of I/O muxings are provided in [Table 2-3](#).

The GPS_n setting can be altered during normal operation, but a delay must be inserted between the time when one function is disabled and another function is enabled.

Note: After reset, all I/O pins are GPIO, except the JTAG pins and the $\overline{\text{RESET}}$ pin.

| Base + \$13 | 15 | 14 | 13 | 12 | 11 | 10 | 9 | 8 | 7 | 6 | 5 | 4 | 3 | 2 | 1 | 0 |
|-------------|----|----|----|--------|--------|----|--------|---|---|---|---|---|---|---|---|---|
| Read | 0 | 0 | 0 | GPS_A6 | GPS_A5 | | GPS_A4 | | 0 | 0 | 0 | 0 | 0 | 0 | 0 | 0 |
| Write | | | | | | | | | | | | | | | | |
| RESET | 0 | 0 | 0 | 0 | 0 | 0 | 0 | 0 | 0 | 0 | 0 | 0 | 0 | 0 | 0 | 0 |

Figure 6-19 GPIO Peripheral Select Register 0 for GPIOA (SIM_GPSA0)

6.3.16.1 Reserved—Bits 15–13

This bit field is reserved. Each bit must be set to 0.

6.3.16.2 Configure GPIOA6 (GPS_A6)—Bit 12

This field selects the alternate function for GPIOA6.

- 0 = FAULT0 - PWM FAULT0 Input (default)
- 1 = TA0 - Timer A0

6.3.16.3 Configure GPIOA5 (GPS_A5)—Bits 11–10

This field selects the alternate function for GPIOA5.

- 00 = PWM5 - PWM5 (default)
- 01 = FAULT2 - PWM FAULT2 Input
- 10 = TA3 - Timer A3
- 11 = Reserved

6.3.16.4 Configure GPIOA4 (GPS_A4)—Bits 9–8

This field selects the alternate function for GPIOA4.

- 00 = PWM4 - PWM4 (default)
- 01 = FAULT1 - PWM FAULT1 Input
- 10 = TA2 - Timer A2
- 11 = Reserved

6.3.16.5 Reserved—Bits 7–0

This bit field is reserved. Each bit must be set to 0.

6.3.17 SIM GPIO Peripheral Select Register 1 for GPIOA (SIM_GPSA1)

See [Section 6.3.16](#) for general information about GPIO Peripheral Select Registers.

| Base + \$14 | 15 | 14 | 13 | 12 | 11 | 10 | 9 | 8 | 7 | 6 | 5 | 4 | 3 | 2 | 1 | 0 |
|-------------|----|----|---------|----|---------|----|---------|---|---|---------|---|---------|--------|---|--------|---|
| Read | 0 | 0 | GPS_A14 | | GPS_A13 | | GPS_A12 | | 0 | GPS_A11 | 0 | GPS_A10 | GPS_A9 | | GPS_A8 | |
| Write | | | | | | | | | | | | | | | | |
| RESET | 0 | 0 | 0 | 0 | 0 | 0 | 0 | 0 | 0 | 0 | 0 | 0 | 0 | 0 | 0 | 0 |

Figure 6-20 GPIO Peripheral Select Register 1 for GPIOA (SIM_GPSA1)

6.3.17.1 Reserved—Bits 15–14

This bit field is reserved. Each bit must be set to 0.

6.3.17.2 Configure GPIOA14 (GPS_A14)—Bits 13–12

This field selects the alternate function for GPIOA14.

- 00 = TB3 - Timer B3 (default)
- 01 = MOSI1 - QSPI1 Master Out/Slave In
- 10 = TA3 - Timer A3
- 11 = Reserved

6.3.17.3 Configure GPIOA13 (GPS_A13)—Bits 11–10

This field selects the alternate function for GPIOA13.

- 00 = TB2 - Timer B2 (default)
- 01 = MISO1 - QSPI1 Master In/Slave Out
- 10 = TA2 - Timer A2
- 11 = Reserved

6.3.17.4 Configure GPIOA12 (GPS_A12)—Bits 9–8

This field selects the alternate function for GPIOA12.

- 00 = TB1 - Timer B1 (default)
- 01 = SCLK1 - QSPI1 Serial Clock
- 10 = TA1 - Timer A1
- 11 = Reserved

6.3.17.5 Reserved—Bit 7

This bit field is reserved. It must be set to 0.

6.3.17.6 Configure GPIOA11 (GPS_A11)—Bit 6

This field selects the alternate function for GPIOA11.

- 0 = CMPBI2 - Comparator B Input 2 (default)
- 1 = TB3 - Timer B3

6.3.17.7 Reserved—Bit 5

This bit field is reserved. It must be set to 0.

6.3.17.8 Configure GPIOA10 (GPS_A10)—Bit 4

This field selects the alternate function for GPIOA10.

- 0 = CMPAI2- Comparator A Input 2 (default)
- 1 = TB2 - Timer B2

6.3.17.9 Configure GPIOA9 (GPS_A9)—Bits 3–2

This field selects the alternate function for GPIOA9.

- 00 = FAULT2 - PWM FAULT2 Input (default)
- 01 = TA3 - Timer A3
- 10 = CMPBI1 - Comparator B Input 1
- 11 = Reserved

6.3.17.10 Configure GPIOA8 (GPS_A8)—Bits 1–0

This field selects the alternate function for GPIOA8.

- 00 = FAULT1 - PWM FAULT1 Input (default)
- 01 = TA2 - Timer A2
- 10 = CMPAI1 - Comparator A Input 1
- 11 = Reserved

6.3.18 SIM GPIO Peripheral Select Register 0 for GPIOB (SIM_GPSB0)

See [Section 6.3.16](#) for general information about GPIO Peripheral Select Registers.

| Base + \$15 | 15 | 14 | 13 | 12 | 11 | 10 | 9 | 8 | 7 | 6 | 5 | 4 | 3 | 2 | 1 | 0 |
|-------------|----|--------|----|--------|----|--------|---|---|--------|---|--------|---|---|--------|---|--------|
| Read | 0 | GPS_B6 | | GPS_B5 | | GPS_B4 | | | GPS_B3 | | GPS_B2 | | 0 | GPS_B1 | 0 | GPS_B0 |
| Write | | | | | | | | | | | | | | | | |
| RESET | 0 | 0 | 0 | 0 | 0 | 0 | 0 | 0 | 0 | 0 | 0 | 0 | 0 | 0 | 0 | 0 |

Figure 6-21 GPIO Peripheral Select Register 0 for GPIOB (SIM_GPSB0)

6.3.18.1 Reserved—Bit 15

This bit field is reserved. It must be set to 0.

6.3.18.2 Configure GPIOB6 (GPS_B6)—Bits 14–13

This field selects the alternate function for GPIOB6.

- 00 = RXD0 - QSCI0 Receive Data (default)
- 01 = SDA - I2C Serial Data



- 10 = CLKIN - External Clock Input
- 11 = Reserved

6.3.18.3 Configure GPIOB5 (GPS_B5)—Bits 12–11

This field selects the alternate function for GPIOB5.

- 00 = TA1 - Timer A1 (default)
- 01 = FAULT3 - PWM FAULT3 Input
- 10 = CLKIN - External Clock Input
- 11 = Reserved

6.3.18.4 Configure GPIOB4(GPS_B4)—Bits 10–8

This field selects the alternate function for GPIOB4.

- 000 = TA0 - Timer A0 (default)
- 001 = CLKO - Clock Output
- 010 = $\overline{SS1}$ - QSPI1 Slave Select
- 011 = TB0 - Timer B0
- 100 = PSRC2 - PWM4 / PWM5 Pair External Source
- 11x = Reserved
- 1x1 = Reserved

6.3.18.5 Configure GPIOB3 (GPS_B3)—Bits 7–6

This field selects the alternate function for GPIOB3.

- 00 = MOSI0 - QSPI0 Master Out/Slave In (default)
- 01 = TA3 - Timer A3
- 10 = PSRC1 - PWM2 / PWM3 Pair External Source
- 11 = Reserved

6.3.18.6 Configure GPIOB2 (GPS_B2)—Bits 5–4

This field selects the alternate function for GPIOB2.

- 00 = MISO0 QSPI0 Master In/Slave Out (default)
- 01 = TA2 - Timer A2
- 10 = PSRC0 - PWM0 / PWM1 Pair External Source
- 11 = Reserved

6.3.18.7 Reserved—Bit 3

This bit field is reserved. It must be set to 0.

6.3.18.8 Configure GPIOB1 (GPS_B1)—Bit 2

This field selects the alternate function for GPIOB1.

- 0 = $\overline{SS0}$ - QSPI0 Slave Select (default)
- 1 = SDA - I2C Serial Data

6.3.18.9 Reserved—Bit 1

This bit field is reserved. It must be set to 0.

6.3.18.10 Configure GPIOB0 (GPS_B0)—Bits 0

This field selects the alternate function for GPIOB0.

- 0 = SCLK0 - QSPI0 Serial Clock (default)
- 1 = SCL - I²C Serial Clock

6.3.19 SIM GPIO Peripheral Select Register 1 for GPIOB (SIM_GPSB1)

See [Section 6.3.16](#) for general information about GPIO Peripheral Select Registers.

| Base + \$16 | 15 | 14 | 13 | 12 | 11 | 10 | 9 | 8 | 7 | 6 | 5 | 4 | 3 | 2 | 1 | 0 |
|-------------|----|----|----|----|----|----|---|---------|---|---------|---|--------|---|--------|---|--------|
| Read | 0 | 0 | 0 | 0 | 0 | 0 | 0 | GPS_B11 | 0 | GPS_B10 | 0 | GPS_B9 | 0 | GPS_B8 | 0 | GPS_B7 |
| Write | | | | | | | | | | | | | | | | |
| RESET | 0 | 0 | 0 | 0 | 0 | 0 | 0 | 0 | 0 | 0 | 0 | 0 | 0 | 0 | 0 | 0 |

Figure 6-22 GPIO Peripheral Select Register 1 for GPIOB (SIM_GPSB1)

6.3.19.1 Reserved—Bits 15–9

This bit field is reserved. Each bit must be set to 0.

6.3.19.2 Configure GPIOB11 (GPS_B11)—Bit 8

This field selects the alternate function for GPIOB11.

- 0 = CMPBO - Comparator B Output (default)
- 1 = TB1 - Timer B1

6.3.19.3 Reserved—Bit 7

This bit field is reserved. It must be set to 0.

6.3.19.4 Configure GPIOB10 (GPS_B10)—Bit 6

This field selects the alternate function for GPIOB10.

- 0 = CMPAO - Comparator A Output (default)
- 1 = TB0 - Timer B0

6.3.19.5 Reserved—Bit 5

This bit field is reserved. It must be set to 0.

6.3.19.6 Configure GPIOB9 (GPS_B9)—Bit 4

This field selects the alternate function for GPIOB9.

- 0 = SDA - I²C Serial Data (default)
- 1 = MSCANRX - MSCAN Receive Data

6.3.19.7 Reserved—Bit 3

This bit field is reserved. It must be set to 0.

6.3.19.8 Configure GPIOB8 (GPS_B8)—Bit 2

This field selects the alternate function for GPIOB8.

- 0 = SCL - I2C Serial Clock (default)
- 1 = MSCANTX - MSCAN Transmit Data

6.3.19.9 Reserved—Bit 1

This bit field is reserved. It must be set to 0.

6.3.19.10 Configure GPIOB7 (GPS_B7)—Bit 0

This field selects the alternate function for GPIOB7.

- 0 = TXD0 - QSCI0 Transmit Data (default)
- 1 = SCL - I2C Serial Clock

6.3.20 SIM GPIO Peripheral Select Register for GPIOC and GPIOD (SIM_GPSCD)

See [Section 6.3.16](#) for general information about GPIO Peripheral Select Registers.

| Base + \$17 | 15 | 14 | 13 | 12 | 11 | 10 | 9 | 8 | 7 | 6 | 5 | 4 | 3 | 2 | 1 | 0 |
|-------------|----|----|----|--------|----|----|---|---|---|---|---|---------|---|--------|---|---|
| Read | 0 | 0 | 0 | GPS_D5 | 0 | 0 | 0 | 0 | 0 | 0 | 0 | GPS_C12 | 0 | GPS_C8 | 0 | 0 |
| Write | | | | | | | | | | | | | | | | |
| RESET | 0 | 0 | 0 | 0 | 0 | 0 | 0 | 0 | 0 | 0 | 0 | 0 | 0 | 0 | 0 | 0 |

Figure 6-23 GPIO Peripheral Select Register for GPIOC and GPIOD (SIM_GPSCD)

6.3.20.1 Reserved—Bits 15–13

This bit field is reserved. Each bit must be set to 0.

6.3.20.2 Configure GPIOD5 (GPS_D5)—Bit 12

This field selects the alternate function for GPIOD5.

- 0 = XTAL - External Crystal Oscillator Output (default)
- 1 = CLKIN - External Clock Input

6.3.20.3 Reserved—Bits 11–5

This bit field is reserved. Each bit must be set to 0.

6.3.20.4 Configure GPIOC12 (GPS_C12)—Bit 4

This field selects the alternate function for GPIOC12.

- 0 = ANB4 - ADCB, Channel 4 (default)
- 1 = RXD1 - QSCI1 Receive Data

6.3.20.5 Reserved—Bit 3

This bit field is reserved. It must be set to 0.

6.3.20.6 Configure GPIOC8 (GPS_C8)—Bit 2

This field selects the alternate function for GPIOC8.

- 0 = ANA4 - ADCA, Channel 4 (default)
- 1 = TXD1 - QSCI1 Transmit Data

6.3.20.7 Reserved—Bits 1—0

This bit field is reserved. Each bit must be set to 0.

6.3.21 Internal Peripheral Source Select Register 0 for Pulse Width Modulator (SIM_IPS0)

The internal integration of peripherals provides input signal source selection for peripherals where an input signal to a peripheral can be fed from one of several sources. These registers are organized by peripheral type and provide a selection list for every peripheral input signal that has more than one alternative source to indicate which source is selected.

If one of the alternative sources is GPIO, the setting in these registers must be made consistently with the settings in the GPS_n and $GPIOx_PEREN$ registers. Specifically, when an IPS_n field is configured to select an I/O pin as the source, then GPS_n register settings must configure only one I/O pin to feed this peripheral input function. Also, the $GPIOx_PEREN$ bit for that I/O pin must be set to 1 to enable peripheral control of the I/O.

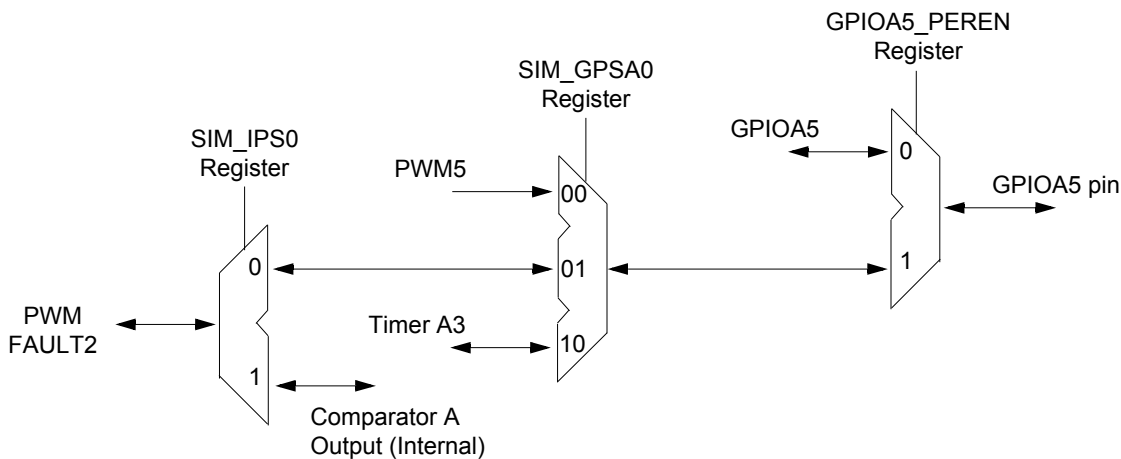


Figure 6-24 Overall Control of Signal Source using SIM_IPSn Control

IPSn settings should not be altered while an affected peripheral is in an enabled (operational) configuration. See the **56F802x and 56F803x Peripheral Reference Manual** for details.

| Base + \$18 | 15 | 14 | 13 | 12 | 11 | 10 | 9 | 8 | 7 | 6 | 5 | 4 | 3 | 2 | 1 | 0 |
|-------------|----|----|-------------|----|-------------|----|---|------------|---|---|------------|---|---|------------|---|---|
| Read | 0 | 0 | IPSO_FAULT2 | 0 | IPSO_FAULT1 | 0 | 0 | IPSO_PSRC2 | | | IPSO_PSRC1 | | | IPSO_PSRC0 | | |
| Write | | | | | | | | | | | | | | | | |
| RESET | 0 | 0 | 0 | 0 | 0 | 0 | 0 | 0 | 0 | 0 | 0 | 0 | 0 | 0 | 0 | 0 |

Figure 6-25 Internal Peripheral Source Select Register for PWM (SIM_IPS0)

6.3.21.1 Reserved—Bits 15–14

This bit field is reserved. Each bit must be set to 0.

6.3.21.2 Select Peripheral Input Source for FAULT2 (IPSO_FAULT2)—Bit 13

This field selects the alternate input source signal to feed PWM input FAULT2.

- 0 = I/O Pin (External) - Use PWM FAULT2 Input Pin (default)
- 1 = CMPBO (Internal) - Use Comparator B Output

6.3.21.3 Reserved—Bit 12

This bit field is reserved. It must be set to 0.

6.3.21.4 Select Peripheral Input Source for FAULT1 (IPSO_FAULT1)—Bit 11

This field selects the alternate input source signal to feed PWM input FAULT1.

- 0 = I/O pin (External) - Use PWM FAULT2 Input Pin (default)
- 1 = CMPAO (Internal) - Use Comparator A Output

6.3.21.5 Reserved—Bits 10–9

This bit field is reserved. Each bit must be set to 0.

6.3.21.6 Select Peripheral Input Source for PWM4/PWM5 Pair Source (IPS0_PSRC2)—Bits 8–6

This field selects the alternate input source signal to feed PWM input PSRC2 as the PWM4/PWM5 pair source.

- 000 = I/O Pin (External) - Use a PSRC2 input pin as PWM source (default)
- 001 = TA3 (Internal) - Use Timer A3 output as PWM source
- 010 = ADC SAMPLE2 (Internal) - Use ADC SAMPLE2 result as PWM source
 - If the ADC conversion result in SAMPLE2 is greater than the value programmed into the High Limit register HLMT2, then PWM4 is set to 0 and PWM5 is set to 1
 - If the ADC conversion result in SAMPLE2 is less than the value programmed into the Low Limit register LLMT2, then PWM4 is set to 1 and PWM5 is set to 0
- 011 = CMPAO (Internal) - Use Comparator A output as PWM source
- 100 = CMPBO (Internal) - Use Comparator B output as PWM source
- 11x = Reserved
- 1x1 = Reserved

6.3.21.7 Select Peripheral Input Source for PWM2/PWM3 Pair Source (IPS0_PSRC1)—Bits 5–3

This field selects the alternate input source signal to feed PWM input PSRC1 as the PWM2/PWM3 pair source.

- 000 = I/O pin (External) - Use a PSRC1 input pin as PWM source (default)
- 001 = TA2 (Internal) - Use Timer A2 output as PWM source
- 010 = ADC SAMPLE1 (Internal) - Use ADC SAMPLE1 result as PWM source
 - If the ADC conversion result in SAMPLE1 is greater than the value programmed into the High Limit register HLMT1, then PWM2 is set to 0 and PWM3 is set to 1
 - If the ADC conversion result in SAMPLE1 is less than the value programmed into the Low Limit register LLMT1, then PWM2 is set to 1 and PWM3 is set to 0
- 011 = CMPAO (Internal) - Use Comparator A output as PWM source
- 100 = CMPBO (Internal) - Use Comparator B output as PWM source
- 11x = Reserved
- 1x1 = Reserved

6.3.21.8 Select Peripheral Input Source for PWM0/PWM1 Pair Source (IPS0_PSRC0)—Bits 2–0

This field selects the alternate input source signal to feed PWM input PSRC0 as the PWM0/PWM1 pair source.

- 000 = I/O pin (External) - Use a PSRC0 input pin as PWM source (default)
- 001 = TA0 (Internal) - Use Timer A0 output as PWM source
- 010 = ADC SAMPLE0 (Internal) - Use ADC SAMPLE0 result as PWM source
 - If the ADC conversion result in SAMPLE0 is greater than the value programmed into the High Limit register HLMT0, then PWM0 is set to 0 and PWM1 is set to 1
 - If the ADC conversion result in SAMPLE0 is less than the value programmed into the Low Limit register LLMT0, then PWM0 is set to 1 and PWM1 is set to 0
- 011 = CMPAO (Internal) - Use Comparator A output as PWM source
- 100 = CMPBO (Internal) - Use Comparator B output as PWM source
- 11x = Reserved
- 1x1 = Reserved

6.3.22 Internal Peripheral Source Select Register 1 for Digital-to-Analog Converters (SIM_IPS1)

See [Section 6.3.21](#) for general information about Internal Peripheral Source Select registers.

| Base + \$19 | 15 | 14 | 13 | 12 | 11 | 10 | 9 | 8 | 7 | 6 | 5 | 4 | 3 | 2 | 1 | 0 |
|-------------|----|----|----|----|----|----|---|---|---|-------------|---|---|---|-------------|---|---|
| Read | 0 | 0 | 0 | 0 | 0 | 0 | 0 | 0 | 0 | IPS1_DSINC1 | | | 0 | IPS1_DSINC0 | | |
| Write | | | | | | | | | | | | | | | | |
| RESET | 0 | 0 | 0 | 0 | 0 | 0 | 0 | 0 | 0 | 0 | 0 | 0 | 0 | 0 | 0 | 0 |

Figure 6-26 Internal Peripheral Source Select Register for DACs (SIM_IPS1)

6.3.22.1 Reserved—Bits 15–7

This bit field is reserved. Each bit must be set to 0.

6.3.22.2 Select Input Peripheral Source for SYNC Input to DAC 1 (IPS1_DSINC1)—Bits 6–4

This field selects the alternate input source signal to feed DAC1 SYNC input.

- 000 = PIT0 (Internal) - Use Programmable Interval Timer 0 Output as DAC SYNC input (default)
- 001 = PIT1 (Internal) - Use Programmable Interval Timer 1 Output as DAC SYNC input
- 010 = PIT2 (Internal) - Use Programmable Interval Timer 2 Output as DAC SYNC input
- 011 = PWM SYNC (Internal) - Use PWM reload synchronization signal as DAC SYNC input
- 100 = TA0 (Internal) - Use Timer A0 output as DAC SYNC input
- 101 = TA1 (Internal) - Use Timer A1 output as DAC SYNC input
- 11x = Reserved

6.3.22.3 Reserved—Bit 3

This bit field is reserved. It must be set to 0.

6.3.22.4 Select Peripheral Input Source for SYNC Input to DAC 0 (IPS1_DSINC0)—Bits 2–0

This field selects the alternate input source signal to feed DAC0 SYNC input.

- 000 = PIT0 (Internal) - Use Programmable Interval Timer 0 Output as DAC SYNC input (default)
- 001 = PIT1 (Internal) - Use Programmable Interval Timer 1 Output as DAC SYNC input
- 010 = PIT2 (Internal) - Use Programmable Interval Timer 2 Output as DAC SYNC input
- 011 = PWM SYNC (Internal) - Use PWM reload synchronization signal as DAC SYNC input
- 100 = TA0 (Internal) - Use Timer A0 output as DAC SYNC input
- 101 = TA1 (Internal) - Use Timer A1 output as DAC SYNC input
- 11x = Reserved

6.3.23 Internal Peripheral Source Select Register 2 for Quad Timer A (SIM_IPS2)

See [Section 6.3.21](#) for general information about Internal Peripheral Source Select registers.

| Base + \$1A | 15 | 14 | 13 | 12 | 11 | 10 | 9 | 8 | 7 | 6 | 5 | 4 | 3 | 2 | 1 | 0 |
|-------------|----|----|----|----------|----|----|---|----------|---|---|---|----------|---|---|---|---|
| Read | 0 | 0 | 0 | IPS2_TA3 | 0 | 0 | 0 | IPS2_TA2 | 0 | 0 | 0 | IPS2_TA1 | 0 | 0 | 0 | 0 |
| Write | | | | | | | | | | | | | | | | |
| RESET | 0 | 0 | 0 | 0 | 0 | 0 | 0 | 0 | 0 | 0 | 0 | 0 | 0 | 0 | 0 | 0 |

Figure 6-27 Internal Peripheral Source Select Register for TMRA (SIM_IPS2)

6.3.23.1 Reserved—Bits 15–13

This bit field is reserved. Each bit must be set to 0.

6.3.23.2 Select Peripheral Input Source for TA3 (IPS2_TA3)—Bit 12

This field selects the alternate input source signal to feed Quad Timer A, input 3.

- 0 = I/O pin (External) - Use Timer A3 input/output pin
- 1 = PWM SYNC (Internal) - Use PWM reload synchronization signal

6.3.23.3 Reserved—Bits 11–9

This bit field is reserved. Each bit must be set to 0.

6.3.23.4 Select Peripheral Input Source for TA2 (IPS2_TA2)—Bit 8

This field selects the alternate input source signal to feed Quad Timer A, input 2.

- 0 = I/O pin (External) - Use Timer A2 input/output pin
- 1 = CMPBO (Internal) - Use Comparator B output

6.3.23.5 Reserved—Bits 7–5

This bit field is reserved. Each bit must be set to 0.

6.3.23.6 Select Peripheral Input Source for TA1 (IPS2_TA1)—Bit 4

This field selects the alternate input source signal to feed Quad Timer A, input 1.

- 0 = I/O pin (External) - Use Timer A1 input/output pin
- 1 = CMPAO (Internal) - Use Comparator A output

6.3.23.7 Reserved—Bits 3–0

This bit field is reserved. Each bit must be set to 0.

For Timer A to detect the PWM SYNC signal, the clock rate of both the PWM module and Timer A module must be identical, at either the system clock rate or 3X system clock rate.

6.4 Clock Generation Overview

The SIM uses the master clock (2X system clock) at a maximum of 64MHz from the OCCS module to produce a system clock at a maximum of 32MHz for the peripheral, core and memory. It divides the master clock by two and gates it with appropriate power mode and clock gating controls. A 3X system high-speed peripheral clock input from OCCS operates at three times the system clock at a maximum of 96MHz and can be an optional clock for PWM, Timer A, Timer B, and I²C modules. These clocks are generated by gating the 3X system high-speed peripheral clock with appropriate power mode and clock gating controls.

The OCCS configuration controls the operating frequency of the SIM's master clocks. In the OCCS, either an external clock (CLKIN), a crystal oscillator, or the relaxation oscillator can be selected as the master clock source (MSTR_OSC). An external clock can be operated at any frequency up to 64MHz. The crystal oscillator can be operated only at a maximum of 8MHz. The relaxation oscillator can be operated at full speed (8MHz), standby speed (200kHz using ROSB), or powered down (using ROPD). An 8MHz MSTR_OSC can be multiplied to 196MHz using the PLL and postscaled to provide a variety of high-speed clock rates. Either the postscaled PLL output or MSTR_OSC signal can be selected to produce the master clocks to the SIM. When the PLL is selected, both the 3X system clock and the 2X system clock are enabled. If the PLL is not selected, the 3X system clock is disabled and the master clock is MSTR_OSC.

In combination with the OCCS module, the SIM provides power modes (see [Section 6.5](#)), clock enables, and clock rate controls to provide flexible control of clocking and power utilization. The clock rate controls enable the high-speed clocking option for the two quad timers (TMRA and TMRB) and PWM, but requires the PLL to be on and selected. Refer to the **56F802x and 56F803x Peripheral Reference Manual** for further details. The peripheral clock enable controls can be used to disable an individual peripheral clock when it is not used.

6.5 Power-Saving Modes

The 56F8037/56F8027 operates in one of five Power-Saving modes, as shown in [Table 6-2](#).

Table 6-2 Clock Operation in Power-Saving Modes

| Mode | Core Clocks | Peripheral Clocks | Description |
|------------|---|---------------------------|--|
| Run | Core and memory clocks enabled | Peripheral clocks enabled | Device is fully functional |
| Wait | Core and memory clocks disabled | Peripheral clocks enabled | Core executes WAIT instruction to enter this mode. Typically used for power-conscious applications. Possible recoveries from Wait mode to Run mode are: <ol style="list-style-type: none"> 1. Any interrupt 2. Executing a Debug mode entry command during the 56800E core JTAG interface 3. Any reset (POR, external, software, COP) |
| Stop | Master clock generation in the OCCS remains operational, but the SIM disables the generation of system and peripheral clocks. | | Core executes STOP instruction to enter this mode. Possible recoveries from Stop mode to Run mode are: <ol style="list-style-type: none"> 1. Interrupt from any peripheral configured in the CTRL register to operate in Stop mode (TA0-3, QSCI0, PIT0-1, CAN, CMPA-B) 2. Low-voltage interrupt 3. Executing a Debug mode entry command using the 56800E core JTAG interface 4. Any reset (POR, external, software, COP) |
| Standby | The OCCS generates the master clock at a reduced frequency (400kHz). The PLL is disabled and the high-speed peripheral option is not available. System and peripheral clocks operate at 200kHz. | | The user configures the OCCS and SIM to select the relaxation oscillator clock source (PRECS), shut down the PLL (PLLPD), put the relaxation oscillator in Standby mode (ROSB), and put the large regulator in Standby (LRSTDBY). The device is fully operational, but operating at a minimum frequency and power configuration. Recovery requires reversing the sequence used to enter this mode (allowing for PLL lock time). |
| Power-Down | Master clock generation in the OCCS is completely shut down. All system and peripheral clocks are disabled. | | The user configures the OCCS and SIM to enter Standby mode as shown in the previous description, followed by powering down the oscillator (ROPD). The only possible recoveries from this mode are: <ol style="list-style-type: none"> 1. External Reset 2. Power-On Reset |

The power-saving modes provide additional power management options by disabling the clock, reconfiguring the voltage regulator clock generation to manage power utilization, as shown in [Table 6-2](#). Run, Wait, and Stop modes provide methods of enabling/disabling the peripheral and/or core clocking as a group. Stop disable controls for an individual peripheral are provided in the SDn registers to override the default behavior of Stop mode. By asserting a peripheral's Stop disable bit, the peripheral clock continues to operate in Stop mode. This is useful to generate interrupts which will recover the device from Stop mode to Run mode. Standby mode provides normal operation but at very low speed and power utilization. It is

possible to invoke Stop or Wait mode while in Standby mode for even greater levels of power reduction. A 400kHz external clock can optionally be used in Standby mode to produce the required Standby 200kHz system clock rate. Power-down mode, which selects the ROSC clock source but shuts it off, fully disables the device and minimizes its power utilization but is only recoverable via reset.

When the PLL is not selected and the system bus is operating at 200kHz or less, the large regulator can be put into its Standby mode (LRSTDBY) to reduce the power utilization of that regulator.

All peripherals, except the COP/watchdog timer, run at the system clock frequency or optional 3X system clock for PWM, Timers, and I²C. The COP timer runs at OSC_CLK / 1024. The maximum frequency of operation is 32MHz.

6.6 Resets

The SIM supports five sources of reset, as shown in [Figure 6-28](#). The two asynchronous sources are the external reset pin and the Power-On Reset (POR). The three synchronous sources are the software reset (SW reset), which is generated within the SIM itself by writing the SIM_CTRL register in [Section 6.3.1](#), the COP time-out reset (COP_TOR), and the COP loss-of-reference reset (COP_LOR). The reset generation module has three reset detectors, which resolve into four primary resets. These are outlined in [Table 6-3](#). The JTAG circuitry is reset by the Power-On Reset.

Table 6-3 Primary System Resets

| Reset Signal | Reset Sources | | | | Comments |
|--------------|---------------|----------|----------|-----|---|
| | POR | External | Software | COP | |
| EXTENDED_POR | X | | | | Stretched version of $\overline{\text{POR}}$ released 64 OSC_CLK cycles after $\overline{\text{POR}}$ deasserts |
| CLKGEN_RST | X | X | X | X | Released 32 OSC_CLK cycles after all reset sources, including EXTENDED_POR, have released |
| PERIP_RST | X | X | X | X | Releases 32 SYS_CLK cycles after the CLKGEN_RST is released |
| CORE_RST | X | X | X | X | Releases 32 SYS_CLK cycles after PERIP_RST is released |

[Figure 6-28](#) provides a graphic illustration of the details in [Table 6-3](#). Note that the POR_Delay blocks use the OSC_CLK as their time base, since other system clocks are inactive during this phase of reset.

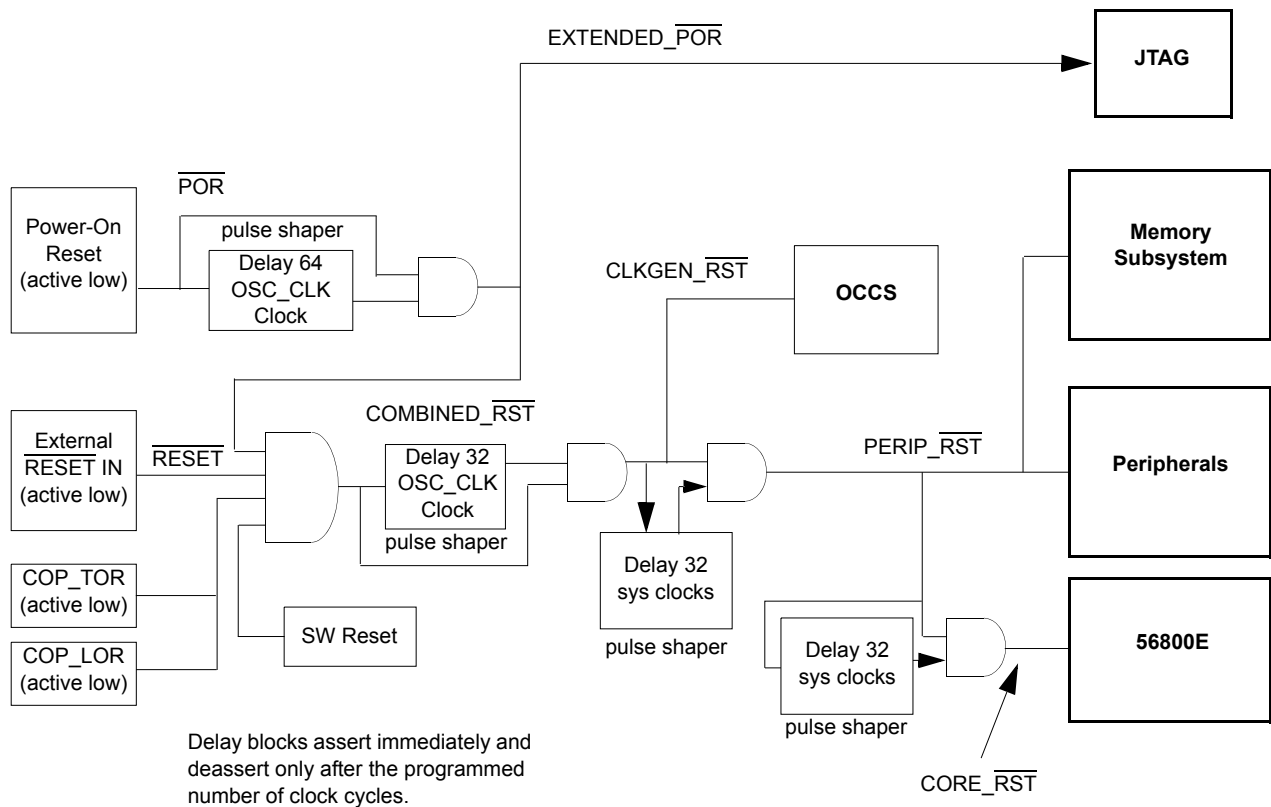


Figure 6-28 Sources of RESET Functional Diagram (Test modes not included)

POR resets are extended 64 OSC_CLK clocks to stabilize the power supply and clock source. All resets are subsequently extended for an additional 32 OSC_CLK clocks and 64 system clocks as the various internal reset controls are released. Given the normal relaxation oscillator rate of 8MHz, the duration of a POR reset from when power comes on to when code is running is 28 μ S. An external reset generation circuit may also be used. A description of how these resets are used to initialize the clocking system and system modules is included in [Section 6.7](#).

6.7 Clocks

The memory, peripheral and core clocks all operate at the same frequency (32MHz maximum) with the exception of the peripheral clocks for quad timers TMRA and TMRB and the PWM, which have the option to operate at 3X system clock. The SIM is responsible for clock distributions.

While the SIM generates the ADC peripheral clock in the same way it generates all other peripheral clocks, the ADC standby and conversion clocks are generated by a direct interface between the ADC and the OCCS module.

The deassertion sequence of internal resets coordinates the device start up, including the clocking system start up. The sequence is described in the following steps:

1. As power is applied, the Relaxation Oscillator starts to operate. When a valid operating voltage is reached, the POR reset will release.
2. The release of POR reset permits operation of the POR reset extender. The POR extender generates an extended POR reset, which is released 64 OSC_CLK cycles after POR reset. This provides an additional time period for the clock source and power to stabilize.
3. A Combined reset consists of the OR of the extended POR reset, the external reset, the COP reset and Software reset. The entire device, except for the POR extender, is held reset as long as Combined reset is asserted. The release of Combined reset permits operation of the CTRL register, the Synchronous reset generator, and the CLKGEN reset extender.
4. The Synchronous reset generator generates a reset to the Software and COP reset logic. The COP and Software reset logic is released three OSC_CLK cycles after Combined reset deasserts. This provides a reasonable minimum duration to the reset for these specialized functions.
5. The CLKGEN reset extender generates the CLKGEN reset used by the clock generation logic. The CLKGEN reset is released 32 OSC_CLK cycles after Combined reset deasserts. This provides a window in which the SIM stabilizes the master clock inputs to the clock generator.
6. The release of CLKGEN reset permits operation of the clock generation logic and the Peripheral reset extender. The Peripheral reset extender generates the Peripheral reset, which is released 32 SYS_CLK cycles after CLKGEN reset. This provides a window in which peripheral and core logic remain clocked, but in reset, so that synchronous resets can be resolved.
7. The release of Peripheral reset permits operation of the peripheral logic and the Core reset extender. The Core reset extender generates the Core reset, which is released 32 SYS_CLK cycles after the Peripheral reset. This provides a window in which critical peripheral start-up functions, such as Flash Security in the Flash memory, can be implemented.
8. The release of Core reset permits execution of code by the 56800E core and marks the end of the system start-up sequence.

Figure 6-29 illustrates clock relationships to one another and to the various resets as the device comes out of reset. \overline{RST} is assumed to be the logical AND of all active-low system resets (for example, POR, external reset, COP and Software reset). In the 56F8037/56F8027, this signal will be stretched by the SIM for a period of time (up to 96 OSC_CLK clock cycles, depending upon the status of the POR) to create the clock generation reset signal (CLKGEN_RST). The SIM should deassert CLKGEN_RST synchronously with the negative edge of OSC_CLK in order to avoid skew problems. CLKGEN_RST is delayed 32 SYS_CLK cycles to create the peripheral reset signal (PERIP_RST). PERIP_RST is then delayed by 32 SYS_CLK cycles to create CORE_RST. Both PERIP_RST and CORE_RST should be released on the negative edge of SYS_CLK_D as shown. This phased releasing of system resets is necessary to give some peripherals (for example, the Flash interface unit) set-up time prior to the 56800E core becoming active.

Maximum Delay = 64 OSC_CLK cycles for POR reset extension and 32 OSC_CLK cycles for Combined reset extension

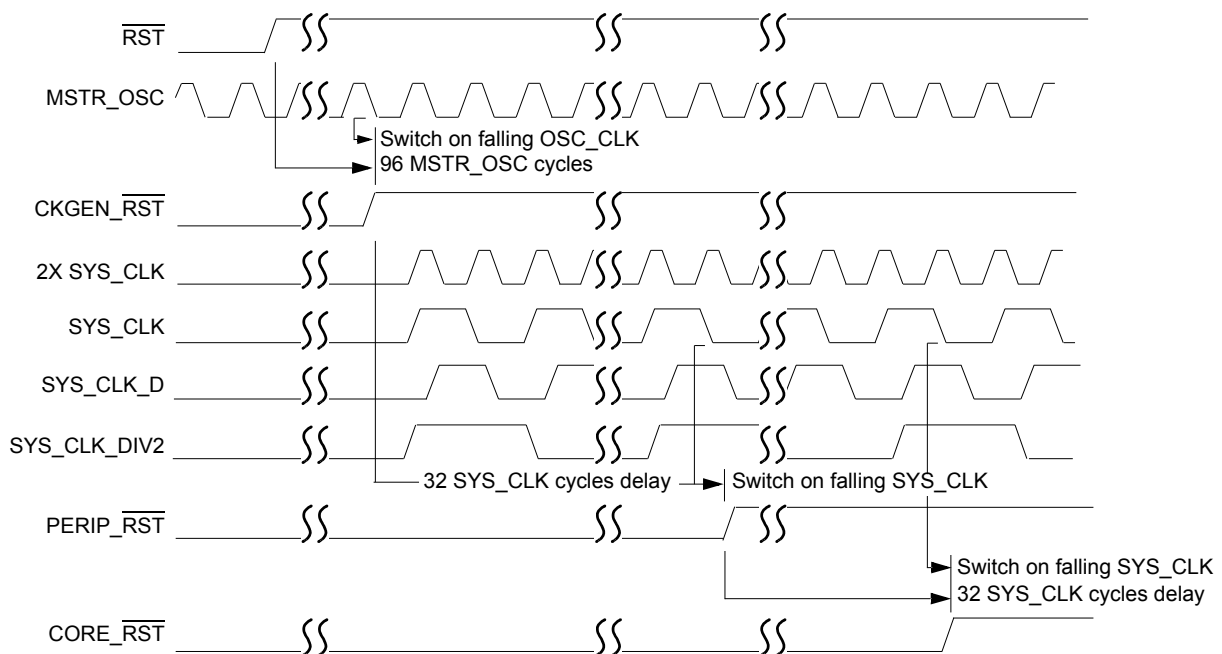


Figure 6-29 Timing Relationships of Reset Signal to Clocks

6.8 Interrupts

The SIM generates no interrupts.

Part 7 Security Features

The 56F8037/56F8027 offers security features intended to prevent unauthorized users from reading the contents of the flash memory (FM) array. The 56F8037/56F8027's flash security consists of several hardware interlocks that prevent unauthorized users from gaining access to the flash array.

After flash security is set, an authorized user is still able to access on-chip memory if a user-defined software subroutine, which reads and transfers the contents of internal memory via serial communication peripherals, is included in the application software.

7.1 Operation with Security Enabled

After the user has programmed flash with the application code, the 56F8037/56F8027 can be secured by programming the security word \$0002 into program memory location \$00 7FF7. This non-volatile word will keep the device secured through reset and through power-down of the device. Refer to the flash memory chapter in the **56F802x and 56F803x Peripheral Reference Manual** for the details. When flash security mode is enabled, the 56F8037/56F8027 will disable the core EOnCE debug capabilities. Normal

program execution is otherwise unaffected.

7.2 Flash Access Lock and Unlock Mechanisms

There are several methods that effectively lock or unlock the on-chip flash.

7.2.1 Disabling EOnCE Access

On-chip flash can be read by issuing commands across the EOnCE port, which is the debug interface for the 56800E CPU. The TCK, TMS, TDO, and TDI pins comprise a JTAG interface onto which the EOnCE port functionality is mapped. When the device boots, the chip-level JTAG TAP (Test Access Port) is active and provides the chip's boundary scan capability and access to the ID register, but proper implementation of flash security will block any attempt to access the internal flash memory via the EOnCE port when security is enabled.

7.2.2 Flash Lockout Recovery Using JTAG

If the device is secured, one lockout recovery mechanism is the complete erasure of the internal flash contents, including the configuration field, thus disabling security (the protection register is cleared). This does not compromise security, as the entire contents of the user's secured code stored in flash are erased before security is disabled on the device on the next reset or power-up sequence.

To start the lockout recovery sequence via JTAG, the JTAG public instruction (LOCKOUT_RECOVERY) must first be shifted into the chip-level TAP controller's instruction register. Once the LOCKOUT_RECOVERY instruction has been shifted into the instruction register, the clock divider value must be shifted into the corresponding 7-bit data register. After the data register has been updated, the user must transition the TAP controller into the RUN-TEST/IDLE state for the lockout sequence to commence. The controller must remain in this state until the erase sequence is complete. Refer to the **56F802x and 56F803x Peripheral Reference Manual** for more details, or contact Freescale.

Note: Once the lockout recovery sequence has completed, the user must reset both the JTAG-TAP controller and device to return to normal unsecured operation. Power-on reset will reset both too.

7.2.3 Flash Lockout Recovery using CodeWarrior

CodeWarrior can unlock a device by selecting the *Debug* menu, then selecting *DSP56800E*, followed by *Unlock Flash*. Another mechanism is also built into CodeWarrior using the device's memory configuration file. The command "*Unlock_Flash_on_Connect I*" in the *.cfg* file accomplishes the same task as using the *Debug* menu.

This lockout recovery mechanism is the complete erasure of the internal flash contents, including the configuration field, thus disabling security (the protection register is cleared).

7.2.4 Flash Lockout Recovery without mass erase

A user can un-secure a secured device by programming the word \$0000 into program memory location \$00 7FF7. After completing the programming, both the JTAG TAP controller and the device must be reset in order to return to normal unsecured operation. Power-on reset will also reset both.

The user is responsible for directing the device to invoke the flash programming subroutine to reprogram the word \$0000 into program memory location \$00 7FF7. This is done by, for example, toggling a specific pin or downloading a user-defined key through serial interfaces.

Note: Flash contents can only be programmed for 1s to 0s.

7.3 Product Analysis

The recommended method of unsecuring a secured device for product analysis of field failures is via the method described in section 7.2.4. The customer would need to supply Technical Support with the details of the protocol to access the subroutines in flash memory. An alternative method for performing analysis on a secured device would be to mass-erase and reprogram the flash with the original code, but modify the security word or not program the security word.

Part 8 General Purpose Input/Output (GPIO)

8.1 Introduction

This section is intended to supplement the GPIO information found in the **56F802x and 56F803x Peripheral Reference Manual** and contains only chip-specific information. This information supersedes the generic information in the **56F802x and 56F803x Peripheral Reference Manual**.

8.2 Configuration

There are four GPIO ports defined on the 56F8037/56F8027. The width of each port, the associated peripheral and reset functions are shown in **Table 8-1**. The specific mapping of GPIO port pins is shown in **Table 8-2**. Additional details are shown in **Tables 2-2** and **2-3**.

Table 8-1 GPIO Ports Configuration

| GPIO Port | Available Pins in 56F8037/56F8027 | Peripheral Function | Reset Function |
|-----------|-----------------------------------|--|---------------------------------|
| A | 15 | PWM, Timer, QSPI, Comparator, Reset | GPIO, $\overline{\text{RESET}}$ |
| B | 14 | QSPI, I ² C, PWM, Clock, MSCAN, Comparator, Timer | GPIO |
| C | 16 | ADC, Comparator, QSCI | GPIO |
| D | 8 | Clock, Oscillator, DAC, JTAG | GPIO, JTAG |

Table 8-2 GPIO External Signals Map

| GPIO Function | Peripheral Function | LQFP Package Pin | Notes |
|---------------|-----------------------|------------------|---|
| GPIOA0 | PWM0 | 56 | Defaults to A0 |
| GPIOA1 | PWM1 | 55 | Defaults to A1 |
| GPIOA2 | PWM2 | 47 | Defaults to A2 |
| GPIOA3 | PWM3 | 48 | Defaults to A3 |
| GPIOA4 | PWM4 / TA2 / FAULT1 | 43 | SIM register SIM_GPS is used to select between PWM4, TA2, and FAULT1. Defaults to A4 |
| GPIOA5 | PWM5 / TA3 / FAULT2 | 39 | SIM register SIM_GPS is used to select between PWM5, TA3, and FAULT2. Defaults to A5 |
| GPIOA6 | FAULT0 / TA0 | 34 | SIM register SIM_GPS is used to select between FAULT0 and TA0. Defaults to A6 |
| GPIOA7 | RESET | 31 | Defaults to RESET |
| GPIOA8 | FAULT1 / TA2 / CMPAI1 | 36 | SIM register SIM_GPS is used to select between FAULT1, TA2, and CMPAI1. Defaults to A8 |
| GPIOA9 | FAULT2 / TA3 / CMPBI1 | 5 | SIM register SIM_GPS is used to select between FAULT2, TA3, and CMPBI1. Defaults to A9 |
| GPIOA10 | TB2 / CMPAI2 | 35 | SIM register SIM_GPS is used to select between TB2 and CMPAI2. Defaults to A10 |
| GPIOA11 | TB3 / CMPBI2 | 6 | SIM register SIM_GPS is used to select between TB3 and CMPBI2. Defaults to A11 |
| GPIOA12 | SCLK1 / TB1 / TA1 | 37 | SIM register SIM_GPS is used to select between SCLK1, TB1, and TA1. Defaults to A12 |
| GPIOA13 | MISO1 / TB2 / TA2 | 44 | SIM register SIM_GPS is used to select between MISO1, TB2, and TA2. Defaults to A13 |
| GPIOA14 | MOSI1 / TB3 / TA3 | 45 | SIM register SIM_GPS is used to select between MOSI1, TB3, and TA3. Defaults to A14 |

Table 8-2 GPIO External Signals Map (Continued)

| GPIO Function | Peripheral Function | LQFP Package Pin | Notes |
|---------------|---|------------------|---|
| GPIOB0 | SCLK0 / SCL | 42 | SIM register SIM_GPS is used to select between SCLK and SCL. Defaults to B0 |
| GPIOB1 | $\overline{SS0}$ / SDA | 2 | SIM register SIM_GPS is used to select between $\overline{SS0}$ and SDA. Defaults to B1 |
| GPIOB2 | MISO0 / TA2 / PSRC0 | 33 | SIM register SIM_GPS is used to select between MISO0, TA2, and PSRC0. Defaults to B2 |
| GPIOB3 | MOSI0 / TA3 / PSRC1 | 32 | SIM register SIM_GPS is used to select between MOSI0, TA3 and PSRC1. Defaults to B3 |
| GPIOB4 | TA0 / CLKO / $\overline{SS1}$ / TB0 / PSRC2 | 38 | SIM register SIM_GPS is used to select between TA0, CLKO, $\overline{SS1}$, TB0, and PSRC2. Defaults to B4 |
| GPIOB5 | TA1 / FAULT3 / CLKIN | 4 | SIM register SIM_GPS is used to select between TA1, FAULT3, and CLKIN. CLKIN functionality is enabled using the PLL Control Register within the OCCS block. Defaults to B5 |
| GPIOB6 | RXD0 / SDA / CLKIN | 1 | SIM register SIM_GPS is used to select between RXD0, SDA, and CLKIN. CLKIN functionality is enabled using the PLL Control Register within the OCCS block. Defaults to B6 |
| GPIOB7 | TXD0 / SCL | 3 | SIM register SIM_GPS is used to select between TXD0 and SCL. Defaults to B7 |
| GPIOB8 | SCL / CANTX | 54 | SIM register SIM_GPS is used to select between SCL and CANTX. Defaults to B8 |
| GPIOB9 | SDA / CANRX | 46 | SIM register SIM_GPS is used to select between SDA and CANRX. Defaults to B9 |
| GPIOB10 | TB0 / CMPAO | 30 | SIM register SIM_GPS is used to select between TB0 and CMPAO. Defaults to B10 |

Table 8-2 GPIO External Signals Map (Continued)

| GPIO Function | Peripheral Function | LQFP Package Pin | Notes |
|---------------|---------------------------|------------------|---|
| GPIOB11 | TB1 / CMPBO | 60 | SIM register SIM_GPS is used to select between TB1 and CMPBO. Defaults to B11 |
| GPIOB12 | CANTX | 57 | Defaults to B12 |
| GPIOB13 | CANRX | 58 | Defaults to B13 |
| GPIOC0 | ANA0 / CMPAI3 | 24 | SIM register SIM_GPS is used to select between ANA0 and CMPAI3. Defaults to C0 |
| GPIOC1 | ANA1 | 22 | Defaults to C1 |
| GPIOC2 | ANA2 / V _{REFHA} | 20 | SIM register SIM_GPS is used to select between ANA2 and V _{REFHA} . Defaults to C2 |
| GPIOC3 | ANA3 / V _{REFLA} | 19 | SIM register SIM_GPS is used to select between ANA3 and V _{REFLA} . Defaults to C3 |
| GPIOC4 | ANB0 / CMPBI3 | 10 | SIM register SIM_GPS is used to select between ANB0 and CMPBI3. Defaults to C4 |
| GPIOC5 | ANB1 | 11 | Defaults to C5 |
| GPIOC6 | ANB2 / V _{REFHB} | 13 | SIM register SIM_GPS is used to select between ANB2 and V _{REFHB} . Defaults to C6 |
| GPIOC7 | ANB3 / V _{REFLB} | 14 | SIM register SIM_GPS is used to select between ANB3 and V _{REFLB} . Defaults to C7 |
| GPIOC8 | ANA4 / TXD1 | 26 | SIM register SIM_GPS is used to select between ANA4 and TXD1. Defaults to C8 |
| GPIOC9 | ANA5 | 21 | Defaults to C9 |
| GPIOC10 | ANA6 | 23 | Defaults to C10 |
| GPIOC11 | ANA7 | 25 | Defaults to C11 |
| GPIOC12 | ANB4 / RXD1 | 9 | SIM register SIM_GPS is used to select between ANB4 and RXD1. Defaults to C12 |
| GPIOC13 | ANB5 | 12 | Defaults to C13 |
| GPIOC14 | ANB6 | 62 | Defaults to C14 |
| GPIOC15 | ANB7 | 61 | Defaults to C15 |
| GPIOD0 | TDI | 59 | Defaults to TDI |
| GPIOD1 | TDO | 64 | Defaults to TDO |

Table 8-2 GPIO External Signals Map (Continued)

| GPIO Function | Peripheral Function | LQFP Package Pin | Notes |
|---------------|---------------------|------------------|--|
| GPIOD2 | TCK | 29 | Defaults to TCK |
| GPIOD3 | TMS | 63 | Defaults to TMS |
| GPIOD4 | EXTAL | 53 | Defaults to D4 |
| GPIOD5 | XTAL / CLKIN | 52 | SIM register SIM_GPSCD is used to select between XTAL and CLKIN. Defaults to D5 |
| GPIOD6 | DAC0 | 18 | Defaults to D6 |
| GPIOD7 | DAC1 | 15 | Defaults to D7 |

8.3 Reset Values

Tables [8-1](#) and [8-2](#) detail registers for the 56F8037/56F8027; Figures [8-1](#) through [8-4](#) summarize register maps and reset values.

| Add. Offset | Register Acronym | | 15 | 14 | 13 | 12 | 11 | 10 | 9 | 8 | 7 | 6 | 5 | 4 | 3 | 2 | 1 | 0 |
|-------------|------------------|----|----|----------------|----|----|----|----|---|---|---|---|---|---|---|---|---|---|
| \$0 | GPIOA_PUPEN | R | 0 | PU[15:0] | | | | | | | | | | | | | | |
| | | W | | | | | | | | | | | | | | | | |
| | | RS | 0 | 1 | 1 | 1 | 1 | 1 | 1 | 1 | 1 | 1 | 1 | 1 | 1 | 1 | 1 | 1 |
| \$1 | GPIOA_DATA | R | 0 | D[15:0] | | | | | | | | | | | | | | |
| | | W | | | | | | | | | | | | | | | | |
| | | RS | 0 | 0 | 0 | 0 | 0 | 0 | 0 | 0 | 0 | 0 | 0 | 0 | 0 | 0 | 0 | 0 |
| \$2 | GPIOA_DDIR | R | 0 | DD[15:0] | | | | | | | | | | | | | | |
| | | W | | | | | | | | | | | | | | | | |
| | | RS | 0 | 0 | 0 | 0 | 0 | 0 | 0 | 0 | 0 | 0 | 0 | 0 | 0 | 0 | 0 | 0 |
| \$3 | GPIOA_PEREN | R | 0 | PE[15:0] | | | | | | | | | | | | | | |
| | | W | | | | | | | | | | | | | | | | |
| | | RS | 0 | 0 | 0 | 0 | 0 | 0 | 0 | 0 | 0 | 0 | 0 | 0 | 0 | 0 | 0 | 0 |
| \$4 | GPIOA_IASSRT | R | 0 | IA[15:0] | | | | | | | | | | | | | | |
| | | W | | | | | | | | | | | | | | | | |
| | | RS | 0 | 0 | 0 | 0 | 0 | 0 | 0 | 0 | 0 | 0 | 0 | 0 | 0 | 0 | 0 | 0 |
| \$5 | GPIOA_IEN | R | 0 | IEN[15:0] | | | | | | | | | | | | | | |
| | | W | | | | | | | | | | | | | | | | |
| | | RS | | 0 | 0 | 0 | 0 | 0 | 0 | 0 | 0 | 0 | 0 | 0 | 0 | 0 | 0 | 0 |
| \$6 | GPIOA_IEPOL | R | 0 | IEPOL[15:0] | | | | | | | | | | | | | | |
| | | W | | | | | | | | | | | | | | | | |
| | | RS | 0 | 0 | 0 | 0 | 0 | 0 | 0 | 0 | 0 | 0 | 0 | 0 | 0 | 0 | 0 | 0 |
| \$7 | GPIOA_IPEND | R | 0 | IPR[15:0] | | | | | | | | | | | | | | |
| | | W | | | | | | | | | | | | | | | | |
| | | RS | 0 | 0 | 0 | 0 | 0 | 0 | 0 | 0 | 0 | 0 | 0 | 0 | 0 | 0 | 0 | 0 |
| \$8 | GPIOA_IEDGE | R | 0 | IES[15:0] | | | | | | | | | | | | | | |
| | | W | | | | | | | | | | | | | | | | |
| | | RS | 0 | 0 | 0 | 0 | 0 | 0 | 0 | 0 | 0 | 0 | 0 | 0 | 0 | 0 | 0 | 0 |
| \$9 | GPIOA_PPOUTM | R | 0 | OEN[15:0] | | | | | | | | | | | | | | |
| | | W | | | | | | | | | | | | | | | | |
| | | RS | 0 | 1 | 1 | 1 | 1 | 1 | 1 | 1 | 1 | 1 | 1 | 1 | 1 | 1 | 1 | 1 |
| \$A | GPIOA_RDATA | R | 0 | RAW DATA[15:0] | | | | | | | | | | | | | | |
| | | W | | | | | | | | | | | | | | | | |
| | | RS | 0 | X | X | X | X | X | X | X | X | X | X | X | X | X | X | X |
| \$B | GPIOA_DRIVE | R | 0 | DRIVE[15:0] | | | | | | | | | | | | | | |
| | | W | | | | | | | | | | | | | | | | |
| | | RS | 0 | 0 | 0 | 0 | 0 | 0 | 0 | 0 | 0 | 0 | 0 | 0 | 0 | 0 | 0 | 0 |

| | | |
|----|---|-----------|
| R | 0 | Read as 0 |
| W | | Reserved |
| RS | | Reset |

Figure 8-1 GPIOA Register Map Summary

| Add. Offset | Register Acronym | | 15 | 14 | 13 | 12 | 11 | 10 | 9 | 8 | 7 | 6 | 5 | 4 | 3 | 2 | 1 | 0 |
|-------------|------------------|----|----|----|----------------|----|----|----|---|---|---|---|---|---|---|---|---|---|
| \$0 | GPIOB_PUPEN | R | 0 | 0 | PU[15:0] | | | | | | | | | | | | | |
| | | W | | | | | | | | | | | | | | | | |
| | | RS | 0 | 0 | 1 | 1 | 1 | 1 | 1 | 1 | 1 | 1 | 1 | 1 | 1 | 1 | 1 | 1 |
| \$1 | GPIOB_DATA | R | 0 | 0 | D[15:0] | | | | | | | | | | | | | |
| | | W | | | | | | | | | | | | | | | | |
| | | RS | 0 | 0 | 0 | 0 | 0 | 0 | 0 | 0 | 0 | 0 | 0 | 0 | 0 | 0 | 0 | 0 |
| \$2 | GPIOB_DDIR | R | 0 | 0 | DD[15:0] | | | | | | | | | | | | | |
| | | W | | | | | | | | | | | | | | | | |
| | | RS | 0 | 0 | 0 | 0 | 0 | 0 | 0 | 0 | 0 | 0 | 0 | 0 | 0 | 0 | 0 | 0 |
| \$3 | GPIOB_PEREN | R | 0 | 0 | PE[15:0] | | | | | | | | | | | | | |
| | | W | | | | | | | | | | | | | | | | |
| | | RS | 0 | 0 | 0 | 0 | 0 | 0 | 0 | 0 | 0 | 0 | 0 | 0 | 0 | 0 | 0 | 0 |
| \$4 | GPIOB_IASSRT | R | 0 | 0 | IA[15:0] | | | | | | | | | | | | | |
| | | W | | | | | | | | | | | | | | | | |
| | | RS | 0 | 0 | 0 | 0 | 0 | 0 | 0 | 0 | 0 | 0 | 0 | 0 | 0 | 0 | 0 | 0 |
| \$5 | GPIOB_IEN | R | 0 | 0 | IEN[15:0] | | | | | | | | | | | | | |
| | | W | | | | | | | | | | | | | | | | |
| | | RS | 0 | 0 | 0 | 0 | 0 | 0 | 0 | 0 | 0 | 0 | 0 | 0 | 0 | 0 | 0 | 0 |
| \$6 | GPIOB_IEPOL | R | 0 | 0 | IEPOL[15:0] | | | | | | | | | | | | | |
| | | W | | | | | | | | | | | | | | | | |
| | | RS | 0 | 0 | 0 | 0 | 0 | 0 | 0 | 0 | 0 | 0 | 0 | 0 | 0 | 0 | 0 | 0 |
| \$7 | GPIOB_IPEND | R | 0 | 0 | IPR[15:0] | | | | | | | | | | | | | |
| | | W | | | | | | | | | | | | | | | | |
| | | RS | 0 | 0 | 0 | 0 | 0 | 0 | 0 | 0 | 0 | 0 | 0 | 0 | 0 | 0 | 0 | 0 |
| \$8 | GPIOB_IEDGE | R | 0 | 0 | IES[15:0] | | | | | | | | | | | | | |
| | | W | | | | | | | | | | | | | | | | |
| | | RS | 0 | 0 | 0 | 0 | 0 | 0 | 0 | 0 | 0 | 0 | 0 | 0 | 0 | 0 | 0 | 0 |
| \$9 | GPIOB_PPOUTM | R | 0 | 0 | OEN[15:0] | | | | | | | | | | | | | |
| | | W | | | | | | | | | | | | | | | | |
| | | RS | 0 | 0 | 1 | 1 | 1 | 1 | 1 | 1 | 1 | 1 | 1 | 1 | 1 | 1 | 1 | 1 |
| \$A | GPIOB_RDATA | R | 0 | 0 | RAW DATA[15:0] | | | | | | | | | | | | | |
| | | W | | | | | | | | | | | | | | | | |
| | | RS | 0 | 0 | X | X | X | X | X | X | X | X | X | X | X | X | X | X |
| \$B | GPIOB_DRIVE | R | 0 | 0 | DRIVE[15:0] | | | | | | | | | | | | | |
| | | W | | | | | | | | | | | | | | | | |
| | | RS | 0 | 0 | 0 | 0 | 0 | 0 | 0 | 0 | 0 | 0 | 0 | 0 | 0 | 0 | 0 | 0 |

| | | |
|----|---|-----------|
| R | 0 | Read as 0 |
| W | | Reserved |
| RS | | Reset |

Figure 8-2 GPIOB Register Map Summary

| Add. Offset | Register Acronym | | 15 | 14 | 13 | 12 | 11 | 10 | 9 | 8 | 7 | 6 | 5 | 4 | 3 | 2 | 1 | 0 |
|-------------|------------------|----|----------------|----|----|----|----|----|---|---|---|---|---|---|---|---|---|---|
| \$0 | GPIOC_PUPEN | R | PU[15:0] | | | | | | | | | | | | | | | |
| | | W | | | | | | | | | | | | | | | | |
| | | RS | 1 | 1 | 1 | 1 | 1 | 1 | 1 | 1 | 1 | 1 | 1 | 1 | 1 | 1 | 1 | 1 |
| \$1 | GPIOC_DATA | R | D[15:0] | | | | | | | | | | | | | | | |
| | | W | | | | | | | | | | | | | | | | |
| | | RS | 0 | 0 | 0 | 0 | 0 | 0 | 0 | 0 | 0 | 0 | 0 | 0 | 0 | 0 | 0 | 0 |
| \$2 | GPIOC_DDIR | R | DD[15:0] | | | | | | | | | | | | | | | |
| | | W | | | | | | | | | | | | | | | | |
| | | RS | 0 | 0 | 0 | 0 | 0 | 0 | 0 | 0 | 0 | 0 | 0 | 0 | 0 | 0 | 0 | 0 |
| \$3 | GPIOC_PEREN | R | PE[15:0] | | | | | | | | | | | | | | | |
| | | W | | | | | | | | | | | | | | | | |
| | | RS | 0 | 0 | 0 | 0 | 0 | 0 | 0 | 0 | 0 | 0 | 0 | 0 | 0 | 0 | 0 | 0 |
| \$4 | GPIOC_IASSRT | R | IA[15:0] | | | | | | | | | | | | | | | |
| | | W | | | | | | | | | | | | | | | | |
| | | RS | 0 | 0 | 0 | 0 | 0 | 0 | 0 | 0 | 0 | 0 | 0 | 0 | 0 | 0 | 0 | 0 |
| \$5 | GPIOC_IEN | R | IEN[15:0] | | | | | | | | | | | | | | | |
| | | W | | | | | | | | | | | | | | | | |
| | | RS | 0 | 0 | 0 | 0 | 0 | 0 | 0 | 0 | 0 | 0 | 0 | 0 | 0 | 0 | 0 | 0 |
| \$6 | GPIOC_IEPOL | R | IEPOL[15:0] | | | | | | | | | | | | | | | |
| | | W | | | | | | | | | | | | | | | | |
| | | RS | 0 | 0 | 0 | 0 | 0 | 0 | 0 | 0 | 0 | 0 | 0 | 0 | 0 | 0 | 0 | 0 |
| \$7 | GPIOC_IPEND | R | IPR[15:0] | | | | | | | | | | | | | | | |
| | | W | | | | | | | | | | | | | | | | |
| | | RS | 0 | 0 | 0 | 0 | 0 | 0 | 0 | 0 | 0 | 0 | 0 | 0 | 0 | 0 | 0 | 0 |
| \$8 | GPIOC_IEDGE | R | IES[15:0] | | | | | | | | | | | | | | | |
| | | W | | | | | | | | | | | | | | | | |
| | | RS | 0 | 0 | 0 | 0 | 0 | 0 | 0 | 0 | 0 | 0 | 0 | 0 | 0 | 0 | 0 | 0 |
| \$9 | GPIOC_PPOUTM | R | OEN[15:0] | | | | | | | | | | | | | | | |
| | | W | | | | | | | | | | | | | | | | |
| | | RS | 1 | 1 | 1 | 1 | 1 | 1 | 1 | 1 | 1 | 1 | 1 | 1 | 1 | 1 | 1 | 1 |
| \$A | GPIOC_RDATA | R | RAW DATA[15:0] | | | | | | | | | | | | | | | |
| | | W | | | | | | | | | | | | | | | | |
| | | RS | X | X | X | X | X | X | X | X | X | X | X | X | X | X | X | X |
| \$B | GPIOC_DRIVE | R | DRIVE[15:0] | | | | | | | | | | | | | | | |
| | | W | | | | | | | | | | | | | | | | |
| | | RS | 0 | 0 | 0 | 0 | 0 | 0 | 0 | 0 | 0 | 0 | 0 | 0 | 0 | 0 | 0 | 0 |

| | | |
|----|---|-----------|
| R | 0 | Read as 0 |
| W | | Reserved |
| RS | | Reset |

Figure 8-3 GPIOC Register Map Summary

| Add. Offset | Register Acronym | | 15 | 14 | 13 | 12 | 11 | 10 | 9 | 8 | 7 | 6 | 5 | 4 | 3 | 2 | 1 | 0 |
|-------------|------------------|----|----|----|----|----|----|----|---|---|---|---|---|---|---|---|---|---|
| \$0 | GPIOD_PUPEN | R | | | | | | | | | | | | | | | | |
| | | W | | | | | | | | | | | | | | | | |
| | | RS | 0 | 0 | 0 | 0 | 0 | 0 | 0 | 0 | 0 | 1 | 1 | 1 | 1 | 1 | 1 | 1 |
| \$1 | GPIOD_DATA | R | | | | | | | | | | | | | | | | |
| | | W | | | | | | | | | | | | | | | | |
| | | RS | 0 | 0 | 0 | 0 | 0 | 0 | 0 | 0 | 0 | 0 | 0 | 0 | 0 | 0 | 0 | 0 |
| \$2 | GPIOD_DDIR | R | | | | | | | | | | | | | | | | |
| | | W | | | | | | | | | | | | | | | | |
| | | RS | 0 | 0 | 0 | 0 | 0 | 0 | 0 | 0 | 0 | 0 | 0 | 0 | 0 | 0 | 0 | 0 |
| \$3 | GPIOD_PEREN | R | | | | | | | | | | | | | | | | |
| | | W | | | | | | | | | | | | | | | | |
| | | RS | 0 | 0 | 0 | 0 | 0 | 0 | 0 | 0 | 0 | 0 | 0 | 0 | 1 | 1 | 1 | 1 |
| \$4 | GPIOD_IASSRT | R | | | | | | | | | | | | | | | | |
| | | W | | | | | | | | | | | | | | | | |
| | | RS | 0 | 0 | 0 | 0 | 0 | 0 | 0 | 0 | 0 | 0 | 0 | 0 | 0 | 0 | 0 | 0 |
| \$5 | GPIOD_IEN | R | | | | | | | | | | | | | | | | |
| | | W | | | | | | | | | | | | | | | | |
| | | RS | 0 | 0 | 0 | 0 | 0 | 0 | 0 | 0 | 0 | 0 | 0 | 0 | 0 | 0 | 0 | 0 |
| \$6 | GPIOD_IEPOL | R | | | | | | | | | | | | | | | | |
| | | W | | | | | | | | | | | | | | | | |
| | | RS | 0 | 0 | 0 | 0 | 0 | 0 | 0 | 0 | 0 | 0 | 0 | 0 | 0 | 0 | 0 | 0 |
| \$7 | GPIOD_IPEND | R | | | | | | | | | | | | | | | | |
| | | W | | | | | | | | | | | | | | | | |
| | | RS | 0 | 0 | 0 | 0 | 0 | 0 | 0 | 0 | 0 | 0 | 0 | 0 | 0 | 0 | 0 | 0 |
| \$8 | GPIOD_IEDGE | R | | | | | | | | | | | | | | | | |
| | | W | | | | | | | | | | | | | | | | |
| | | RS | 0 | 0 | 0 | 0 | 0 | 0 | 0 | 0 | 0 | 0 | 0 | 0 | 0 | 0 | 0 | 0 |
| \$9 | GPIOD_PPOUTM | R | | | | | | | | | | | | | | | | |
| | | W | | | | | | | | | | | | | | | | |
| | | RS | 0 | 0 | 0 | 0 | 0 | 0 | 0 | 0 | 0 | 1 | 1 | 1 | 1 | 1 | 1 | 1 |
| \$A | GPIOD_RDATA | R | | | | | | | | | | | | | | | | |
| | | W | | | | | | | | | | | | | | | | |
| | | RS | 0 | 0 | 0 | 0 | 0 | 0 | 0 | 0 | 0 | X | X | X | X | X | X | X |
| \$B | GPIOD_DRIVE | R | | | | | | | | | | | | | | | | |
| | | W | | | | | | | | | | | | | | | | |
| | | RS | 0 | 0 | 0 | 0 | 0 | 0 | 0 | 0 | 0 | 0 | 0 | 0 | 0 | 0 | 0 | 0 |

| | | |
|----|---|-----------|
| R | 0 | Read as 0 |
| W | | Reserved |
| RS | | Reset |

Figure 8-4 GPIOD Register Map Summary

Part 9 Joint Test Action Group (JTAG)

9.1 56F8037/56F8027 Information

Please contact your Freescale sales representative or authorized distributor for device/package-specific BSDL information.

The $\overline{\text{TRST}}$ pin is not available in this package. The pin is tied to V_{DD} in the package.

The JTAG state machine is reset during POR and can also be reset via a soft reset by holding TMS high for five rising edges of TCK, as described in the **56F802x and 56F803x Peripheral Reference Manual**.

Part 10 Specifications

10.1 General Characteristics

The 56F8037/56F8027 is fabricated in high-density CMOS with 5V-tolerant TTL-compatible digital inputs. The term “5V-tolerant” refers to the capability of an I/O pin, built on a 3.3V-compatible process technology, to withstand a voltage up to 5.5V without damaging the device. Many systems have a mixture of devices designed for 3.3V and 5V power supplies. In such systems, a bus may carry both 3.3V- and 5V-compatible I/O voltage levels (a standard 3.3V I/O is designed to receive a maximum voltage of $3.3\text{V} \pm 10\%$ during normal operation without causing damage). This 5V-tolerant capability therefore offers the power savings of 3.3V I/O levels, combined with the ability to receive 5V levels without damage.

Absolute maximum ratings in **Table 10-1** are stress ratings only, and functional operation at the maximum is not guaranteed. Stress beyond these ratings may affect device reliability or cause permanent damage to the device.

Unless otherwise stated, all specifications within this chapter apply over the temperature range of -40°C to 125°C ambient temperature over the following supply ranges:

$$V_{\text{SS}} = V_{\text{SSA}} = 0\text{V}, V_{\text{DD}} = V_{\text{DDA}} = 3.0\text{--}3.6\text{V}, CL \leq 50\text{pF}, f_{\text{OP}} = 32\text{MHz}$$

CAUTION

This device contains protective circuitry to guard against damage due to high static voltage or electrical fields. However, normal precautions are advised to avoid application of any voltages higher than maximum-rated voltages to this high-impedance circuit. Reliability of operation is enhanced if unused inputs are tied to an appropriate logic voltage level (either V_{DD} or V_{SS}).

Table 10-1 Absolute Maximum Ratings

 ($V_{SS} = 0V$, $V_{SSA} = 0V$)

| Characteristic | Symbol | Notes | Min | Max | Unit |
|--|-----------------|-----------------|------|-------|------|
| Supply Voltage Range | V_{DD} | | -0.3 | 4.0 | V |
| Analog Supply Voltage Range | V_{DDA} | | -0.3 | 4.0 | V |
| ADC High Voltage Reference | V_{REFHx} | | -0.3 | 4.0 | V |
| Voltage difference V_{DD} to V_{DDA} | ΔV_{DD} | | -0.3 | 0.3 | V |
| Voltage difference V_{SS} to V_{SSA} | ΔV_{SS} | | -0.3 | 0.3 | V |
| Digital Input Voltage Range | V_{IN} | Pin Groups 1, 2 | -0.3 | 6.0 | V |
| Oscillator Voltage Range | V_{OSC} | Pin Group 4 | -0.4 | 4.0 | V |
| Analog Input Voltage Range | V_{INA} | Pin Group 3 | -0.3 | 4.0 | V |
| Input clamp current, per pin ($V_{IN} < 0$) ¹ | V_{IC} | | — | -20.0 | mA |
| Output clamp current, per pin ($V_O < 0$) ¹ | V_{OC} | | — | -20.0 | mA |
| Output Voltage Range (Normal Push-Pull mode) | V_{OUT} | Pin Group 1 | -0.3 | 4.0 | V |
| Output Voltage Range (Open Drain mode) | V_{OUTOD} | Pin Group 2 | -0.3 | 6.0 | V |
| Output Voltage Range (DAC) | V_{OUTDAC} | Pin Group 5 | -0.3 | 4.0 | V |
| Ambient Temperature Industrial | T_A | | -40 | 105 | °C |
| Storage Temperature Range (Extended Industrial) | T_{STG} | | -55 | 150 | °C |

1. Continuous clamp current per pin is -2.0 mA

Default Mode

Pin Group 1: GPIO, TDI, TDO, TMS, TCK

 Pin Group 2: \overline{RESET} , GPIOA7

Pin Group 3: ADC and Comparator Analog Inputs

Pin Group 4: XTAL, EXTAL

Pin Group 5: DAC Analog Outputs

10.1.1 ElectroStatic Discharge (ESD) Model

Table 10-2 56F8037/56F8027 ESD Protection

| Characteristic | Min | Typ | Max | Unit |
|-----------------------------------|------|-----|-----|------|
| ESD for Human Body Model (HBM) | 2000 | — | — | V |
| ESD for Machine Model (MM) | 200 | — | — | V |
| ESD for Charge Device Model (CDM) | 750 | — | — | V |

Table 10-3 LQFP Package Thermal Characteristics⁶

| Characteristic | Comments | Symbol | Value (LQFP) | Unit | Notes |
|---|----------------------------|------------------|--------------|------|-------|
| Junction to ambient Natural convection | Single layer board (1s) | $R_{\theta JA}$ | 41 | °C/W | 2 |
| Junction to ambient Natural convection | Four layer board (2s2p) | $R_{\theta JMA}$ | 34 | °C/W | 1, 2 |
| Junction to ambient (@200 ft/min) | Single layer board (1s) | $R_{\theta JMA}$ | 34 | °C/W | 2 |
| Junction to ambient (@200 ft/min) | Four layer board (2s2p) | $R_{\theta JMA}$ | 29 | °C/W | 1, 2 |
| Junction to board | | $R_{\theta JB}$ | 24 | °C/W | 4 |
| Junction to case | | $R_{\theta JC}$ | 8 | °C/W | 3 |
| Junction to package top | Natural Convection | Ψ_{JT} | 2 | °C/W | 5 |

1. Theta-JA determined on 2s2p test boards is frequently lower than would be observed in an application. Determined on 2s2p thermal test board.
2. Junction to ambient thermal resistance, Theta-JA ($R_{\theta JA}$), was simulated to be equivalent to the JEDEC specification JESD51-2 in a horizontal configuration in natural convection. Theta-JA was also simulated on a thermal test board with two internal planes (2s2p, where “s” is the number of signal layers and “p” is the number of planes) per JESD51-6 and JESD51-7. The correct name for Theta-JA for forced convection or with the non-single layer boards is Theta-JMA.
3. Junction to case thermal resistance, Theta-JC ($R_{\theta JC}$), was simulated to be equivalent to the measured values using the cold plate technique with the cold plate temperature used as the “case” temperature. The basic cold plate measurement technique is described by MIL-STD 883D, Method 1012.1. This is the correct thermal metric to use to calculate thermal performance when the package is being used with a heat sink.
4. Junction to board thermal resistance, Theta-JB ($R_{\theta JB}$), is a metric of the thermal resistance from the junction to the printed circuit board determined per JESD51-8. Board temperature is measured on the top surface of the board near the package.
5. Thermal Characterization Parameter, Psi-JT (Ψ_{JT}), is the “resistance” from junction to reference point thermocouple on top center of case as defined in JESD51-2. Ψ_{JT} is a useful value to use to estimate junction temperature in steady state customer environments.
6. Junction temperature is a function of die size, on-chip power dissipation, package thermal resistance, mounting site (board)

temperature, ambient temperature, air flow, power dissipation of other components on the board, and board thermal resistance.

7. See [Section 12.1](#) for more details on thermal design considerations.

Table 10-4 Recommended Operating Conditions
($V_{REFLx} = 0V$, $V_{SSA} = 0V$, $V_{SS} = 0V$)

| Characteristic | Symbol | Notes | Min | Typ | Max | Unit |
|--|-------------------------|---|--------|-----|-----------------|--------|
| Supply voltage | V_{DD} , V_{DDA} | | 3 | 3.3 | 3.6 | V |
| ADC Reference Voltage High | V_{REFHx} | | 3.0 | | V_{DDA} | V |
| Voltage difference V_{DD} to V_{DDA} | ΔV_{DD} | | -0.1 | 0 | 0.1 | V |
| Voltage difference V_{SS} to V_{SSA} | ΔV_{SS} | | -0.1 | 0 | 0.1 | V |
| Device Clock Frequency Using relaxation oscillator Using external clock source | FSYSCLK | | 1 0 | | 32 32 | MHz |
| Input Voltage High (digital inputs) | V_{IH} | Pin Groups 1, 2 | 2.0 | | 5.5 | V |
| Input Voltage Low (digital inputs) | V_{IL} | Pin Groups 1, 2 | -0.3 | | 0.8 | V |
| Oscillator Input Voltage High XTAL driven by an external clock source | V_{IHOSC} | Pin Group 4 | 2.0 | | $V_{DDA} + 0.3$ | V |
| Oscillator Input Voltage Low | V_{ILOSC} | Pin Group 4 | -0.3 | | 0.8 | V |
| DAC Output Load Resistance | RLD | | 3K | | — | ohms |
| DAC Output Load Capacitance | CLD | | — | | 400 | pF |
| Output Source Current High at V_{OH} min.) ¹ When programmed for low drive strength When programmed for high drive strength | I_{OH} | Pin Group 1 Pin Group 1 | — — | | -4 -8 | mA |
| Output Source Current Low (at V_{OL} max.) ¹ When programmed for low drive strength When programmed for high drive strength | I_{OL} | Pin Groups 1, 2 Pin Groups 1, 2 | — — | | 4 8 | mA |
| Ambient Operating Temperature (Extended Industrial) | T_A | | -40 | | 105 | °C |
| Flash Endurance (Program Erase Cycles) | N_F | $T_A = -40^{\circ}C$ to $125^{\circ}C$ | 10,000 | | — | cycles |
| Flash Data Retention | T_R | $T_J \leq 85^{\circ}C$ avg | 15 | | — | years |
| Flash Data Retention with <100 Program/Erase Cycles | t_{FLRET} | $T_J \leq 85^{\circ}C$ avg | 20 | — | — | years |

1. Total chip source or sink current cannot exceed 75mA

Note: Pin groups are detailed following [Table 10-1](#)

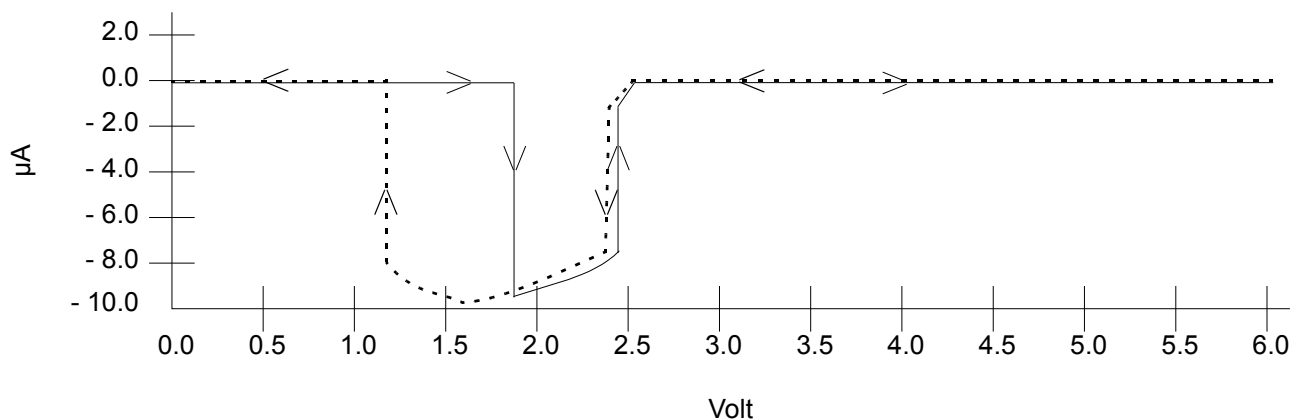
10.2 DC Electrical Characteristics

Table 10-5 DC Electrical Characteristics
At Recommended Operating Conditions

| Characteristic | Symbol | Notes | Min | Typ | Max | Unit | Test Conditions |
|---|-------------|-----------------|----------------------------------|----------|----------------------------------|---------|----------------------------|
| Output Voltage High | V_{OH} | Pin Group 1 | 2.4 | — | — | V | $I_{OH} = I_{OHmax}$ |
| Output Voltage Low | V_{OL} | Pin Groups 1, 2 | — | — | 0.4 | V | $I_{OL} = I_{OLmax}$ |
| Digital Input Current High (a) pull-up enabled or disabled | I_{IH} | Pin Groups 1, 2 | — | 0 | +/- 2.5 | μA | $V_{IN} = 2.4V$ to 5.5V |
| Comparator Input Current High | I_{IHC} | Pin Group 3 | — | 0 | +/- 2 | μA | $V_{IN} = V_{DDA}$ |
| Oscillator Input Current High | I_{IHOSC} | Pin Group 3 | — | 0 | +/- 2 | μA | $V_{IN} = V_{DDA}$ |
| Digital Input Current Low ¹ pull-up enabled pull-up disabled | I_{IL} | Pin Groups 1, 2 | -15 — | -30 0 | -60 +/- 2.5 | μA | $V_{IN} = 0V$ |
| Comparator Input Current Low | I_{ILC} | Pin Group 3 | — | 0 | +/- 2 | μA | $V_{IN} = 0V$ |
| Oscillator Input Current Low | I_{ILOSC} | Pin Group 3 | — | 0 | +/- 2 | μA | $V_{IN} = 0V$ |
| DAC Output Voltage Range | V_{DAC} | Pin Group 5 | Typically $V_{SSA} +$ 40mV | — | Typically $V_{DDA} -$ 40mV | V | — |
| Output Current ¹ High Impedance State | I_{OZ} | Pin Groups 1, 2 | — | 0 | +/- 2.5 | μA | — |
| Schmitt Trigger Input Hysteresis | V_{HYS} | Pin Groups 1, 2 | — | 0.35 | — | V | — |
| Input Capacitance | C_{IN} | | — | 10 | — | pF | — |
| Output Capacitance | C_{OUT} | | — | 10 | — | pF | — |

1. See [Figure 10-1](#)

Note: Pin groups are detailed following [Table 10-1](#)


Figure 10-1 I_{IN}/I_{OZ} vs. V_{IN} (Typical; Pull-Up Disabled)
Table 10-6 Current Consumption per Power Supply Pin

| Mode | Conditions | Typical @ 3.3V, 25°C | | Maximum @ 3.6V, 25°C | |
|------|--|----------------------|-----------|----------------------|-----------|
| | | I_{DD}^1 | I_{DDA} | I_{DD}^1 | I_{DDA} |
| RUN | 32MHz Device Clock Relaxation Oscillator on PLL powered on Continuous MAC instructions with fetches from Program Flash All peripheral modules enabled. TMR and PWM using 1X Clock ADC/DAC powered on and clocked Comparator powered on | 48mA | 18.8mA | — | — |
| WAIT | 32MHz Device Clock Relaxation Oscillator on PLL powered on Processor Core in WAIT state All Peripheral modules enabled. TMR and PWM using 1X Clock ADC/DAC/Comparator powered off | 29mA | 0µA | — | — |
| STOP | 4MHz Device Clock Relaxation Oscillator on PLL powered off Processor Core in STOP state All peripheral module and core clocks are off ADC/DAC/Comparator powered off | 5.4mA | 0µA | — | — |

Table 10-6 Current Consumption per Power Supply Pin (Continued)

| Mode | Conditions | Typical @ 3.3V, 25°C | | Maximum @ 3.6V, 25°C | |
|----------------|---|------------------------------|------------------|------------------------------|------------------|
| | | I _{DD} ¹ | I _{DDA} | I _{DD} ¹ | I _{DDA} |
| STANDBY > STOP | 100kHz Device Clock Relaxation Oscillator in Standby mode PLL powered off Processor Core in STOP state All peripheral module and core clocks are off ADC/DAC/Comparator powered off Voltage regulator in Standby mode | 540μA | 0μA | 650μA | 1μA |
| POWERDOWN | Device Clock is off Relaxation Oscillator powered off PLL powered off Processor Core in STOP state All peripheral module and core clocks are off ADC /DAC/Comparator powered off Voltage Regulator in Standby mode | 440μA | 0μA | 550μA | 1μA |

1. No Output Switching
All ports configured as inputs
All inputs Low
No DC Loads

Table 10-7 Power-On Reset Low-Voltage Parameters

| Characteristic | Symbol | Min | Typ | Max | Unit |
|--|--------------------|------|------|-----|------|
| Low-Voltage Interrupt for 3.3V supply ¹ | V _{EI3.3} | 2.58 | 2.7 | — | V |
| Low-Voltage Interrupt for 2.5V supply ² | V _{EI2.5} | — | 2.15 | — | V |
| Low-Voltage Interrupt Recovery Hysteresis | V _{EIH} | — | 50 | — | mV |
| Power-On Reset ³ | POR | — | 1.8 | 1.9 | V |

- When V_{DD} drops below V_{EI3.3}, an interrupt is generated.
- When V_{DD} drops below V_{EI2.5}, an interrupt is generated.
- Power-On Reset occurs whenever the internally regulated 2.5V digital supply drops below 1.8V. While power is ramping up, this signal remains active for as long as the internal 2.5V is below 2.15V or the 3.3V I/O voltage is below 2.7V, no matter how long the ramp-up rate is. The internally regulated voltage is typically 100mV less than V_{DD} during ramp-up until 2.5V is reached, at which time it self-regulates.

10.2.1 Voltage Regulator Specifications

The 56F8037/56F8027 has two on-chip regulators. One supplies the PLL and relaxation oscillator. It has no external pins and therefore has no external characteristics which must be guaranteed (other than proper operation of the device). The second regulator supplies approximately 2.5V to the 56F8037/56F8027's core logic. This regulator requires an external 4.4μF, or greater, capacitor for proper operation. Ceramic and tantalum capacitors tend to provide better performance tolerances. The output voltage can be

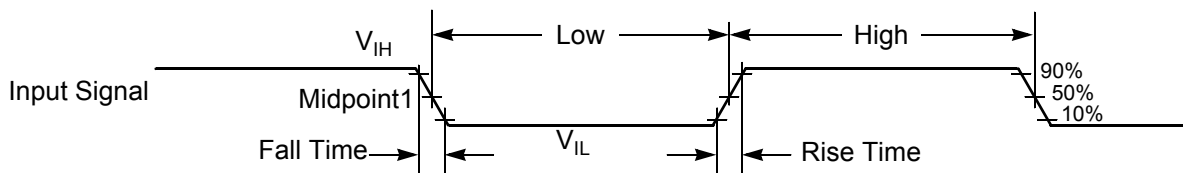
measured directly on the V_{CAP} pin. The specifications for this regulator are shown in [Table 10-8](#).

Table 10-8. Regulator Parameters

| Characteristic | Symbol | Min | Typical | Max | Unit |
|---|-----------|-----|---------|-----|---------|
| Short Circuit Current | I_{SS} | — | 450 | 650 | mA |
| Short Circuit Tolerance (V_{CAP} shorted to ground) | T_{RSC} | — | — | 30 | minutes |

10.3 AC Electrical Characteristics

Tests are conducted using the input levels specified in [Table 10-5](#). Unless otherwise specified, propagation delays are measured from the 50% to the 50% point, and rise and fall times are measured between the 10% and 90% points, as shown in [Figure 10-2](#).



Note: The midpoint is $V_{IL} + (V_{IH} - V_{IL})/2$.

Figure 10-2 Input Signal Measurement References

[Figure 10-3](#) shows the definitions of the following signal states:

- Active state, when a bus or signal is driven, and enters a low impedance state
- Tri-stated, when a bus or signal is placed in a high impedance state
- Data Valid state, when a signal level has reached V_{OL} or V_{OH}
- Data Invalid state, when a signal level is in transition between V_{OL} and V_{OH}

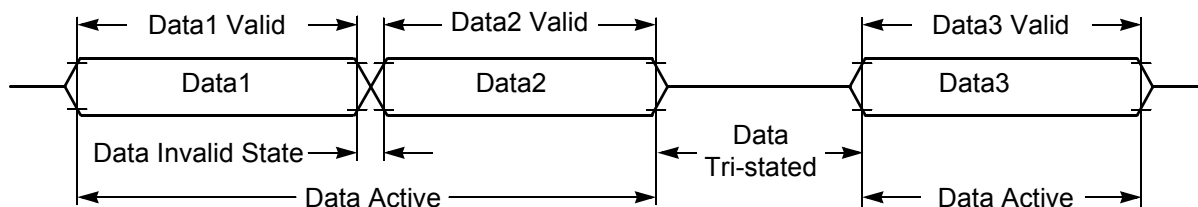


Figure 10-3 Signal States

10.4 Flash Memory Characteristics

Table 10-9 Flash Timing Parameters

| Characteristic | Symbol | Min | Typ | Max | Unit |
|---------------------------|--------------------|-----|-----|-----|------|
| Program time ¹ | T _{prog} | 20 | — | 40 | μs |
| Erase time ² | T _{erase} | 20 | — | — | ms |
| Mass erase time | T _{me} | 100 | — | — | ms |

1. There is additional overhead which is part of the programming sequence. See the **56F802x and 56F803x Peripheral Reference Manual** for details.

2. Specifies page erase time. There are 512 bytes per page in the Program Flash memory.

10.5 External Clock Operation Timing

Table 10-10 External Clock Operation Timing Requirements¹

| Characteristic | Symbol | Min | Typ | Max | Unit |
|---|-------------------|------|-----|-----|------|
| Frequency of operation (external clock driver) ² | f _{osc} | 4 | 8 | 8 | MHz |
| Clock Pulse Width ³ | t _{PW} | 6.25 | — | — | ns |
| External Clock Input Rise Time ⁴ | t _{rise} | — | — | 3 | ns |
| External Clock Input Fall Time ⁵ | t _{fall} | — | — | 3 | ns |

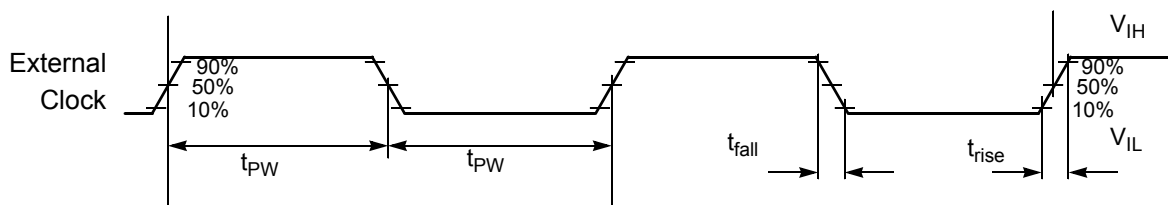
1. Parameters listed are guaranteed by design.

2. See [Figure 10-4](#) for details on using the recommended connection of an external clock driver.

3. The chip may not function if the high or low pulse width is smaller than 6.25ns.

4. External clock input rise time is measured from 10% to 90%.

5. External clock input fall time is measured from 90% to 10%.



Note: The midpoint is $V_{IL} + (V_{IH} - V_{IL})/2$.

Figure 10-4 External Clock Timing

10.6 Phase Locked Loop Timing

Table 10-11 PLL Timing

| Characteristic | Symbol | Min | Typ | Max | Unit |
|--|-----------------|-----|-----|------|---------|
| External reference crystal frequency for the PLL ¹ | f_{osc} | 4 | 8 | — | MHz |
| Internal reference relaxation oscillator frequency for the PLL | f_{rosc} | — | 8 | — | MHz |
| PLL output frequency ² (24 x reference frequency) | f_{op} | 96 | 192 | — | MHz |
| PLL lock time ³ | t_{plls} | — | 40 | 100 | μ s |
| Accumulated jitter using an 8MHz external crystal as the PLL source ⁴ | J_A | — | — | 0.37 | % |
| Cycle-to-cycle jitter | $t_{jitterpll}$ | — | 350 | — | ps |

1. An externally supplied reference clock should be as free as possible from any phase jitter for the PLL to work correctly. The PLL is optimized for 8MHz input.
2. The core system clock will operate at 1/6 of the PLL output frequency.
3. This is the time required after the PLL is enabled to ensure reliable operation.
4. This is measured on the CLKO signal (programmed as System clock) over 264 System clocks at 32MHz System clock frequency and using an 8MHz oscillator frequency.

10.7 Relaxation Oscillator Timing

Table 10-12 Relaxation Oscillator Timing

| Characteristic | Symbol | Minimum | Typical | Maximum | Unit |
|--|------------------|---------|--------------|--------------|------------|
| Relaxation Oscillator output frequency ¹ Normal Mode Standby Mode | f_{op} | — | 8.05 200 | — | MHz kHz |
| Relaxation Oscillator stabilization time ² | t_{roscs} | — | 1 | 3 | ms |
| Cycle-to-cycle jitter. This is measured on the CLKO signal (programmed prescaler_clock) over 264 clocks ³ | $t_{jitterrosc}$ | — | 400 | — | ps |
| Minimum tuning step size | | — | .08 | — | % |
| Maximum tuning step size | | — | 40 | — | % |
| Variation over temperature -40°C to 150°C ⁴ | | — | +1.0 to -1.5 | +3.0 to -3.0 | % |
| Variation over temperature 0°C to 105°C ⁴ | | — | 0 to +1 | +2.0 to -2.0 | % |

1. Output frequency after factory trim.
2. This is the time required from Standby to Normal mode transition.
3. J_A is required to meet QSCI requirements.
4. See [Figure 10-5](#)

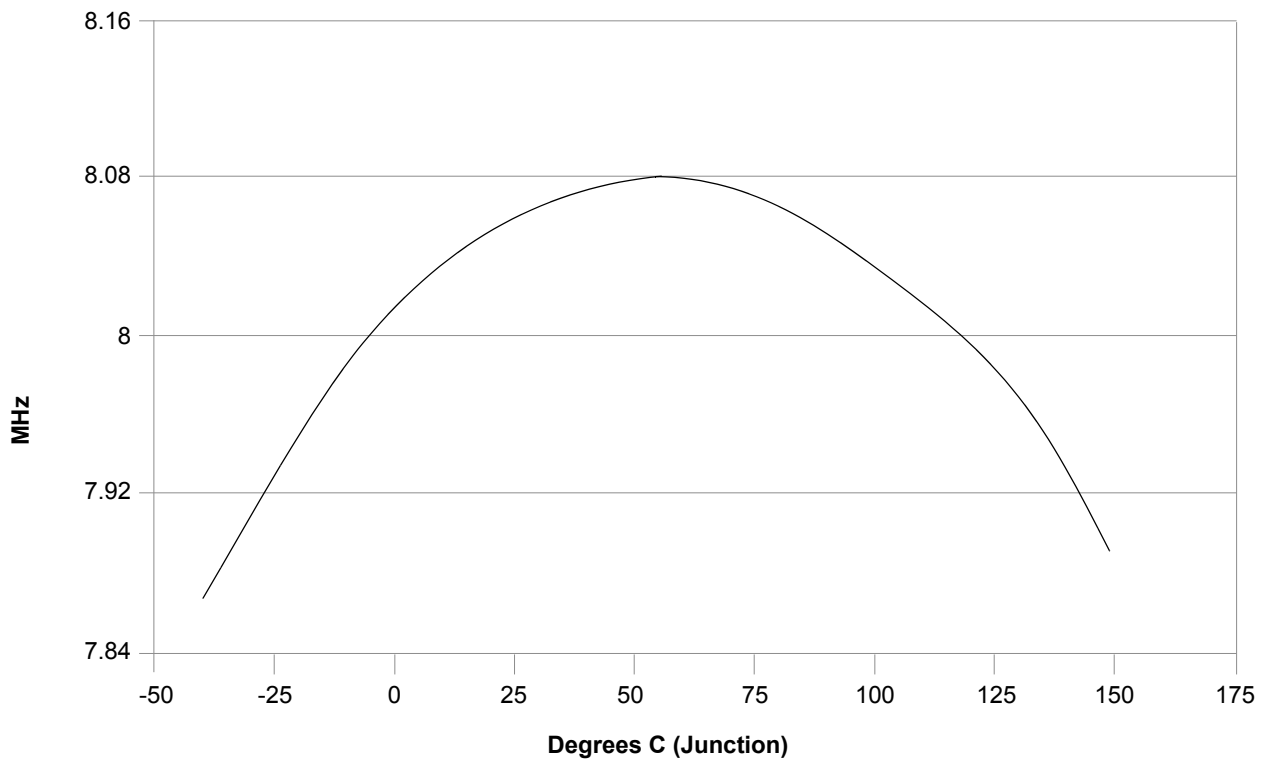


Figure 10-5 Relaxation Oscillator Temperature Variation (Typical) After Trim

10.8 Reset, Stop, Wait, Mode Select, and Interrupt Timing

Note: All address and data buses described here are internal.

Table 10-13 Reset, Stop, Wait, Mode Select, and Interrupt Timing^{1,2}

| Characteristic | Symbol | Typical Min | Typical Max | Unit | See Figure |
|---|------------------|--------------------------|--------------------------|------|----------------------|
| Minimum $\overline{\text{RESET}}$ Assertion Duration | t_{RA} | 4T | — | ns | — |
| Minimum GPIO pin Assertion for Interrupt | t_{IW} | 2T | — | ns | 10-6 |
| $\overline{\text{RESET}}$ deassertion to First Address Fetch ³ | t_{RDA} | $96T_{\text{OSC}} + 64T$ | $97T_{\text{OSC}} + 65T$ | ns | — |
| Delay from Interrupt Assertion to Fetch of first instruction (exiting Stop) | t_{IF} | — | 6T | ns | — |

1. In the formulas, T = system clock cycle and T_{OSC} = oscillator clock cycle. For an operating frequency of 32MHz, T = 31.25ns. At 8MHz (used during Reset and Stop modes), T = 125ns.

2. Parameters listed are guaranteed by design.

3. During Power-On Reset, it is possible to use the 56F8037/56F8027 internal reset stretching circuitry to extend this period to $2^{21}T$.

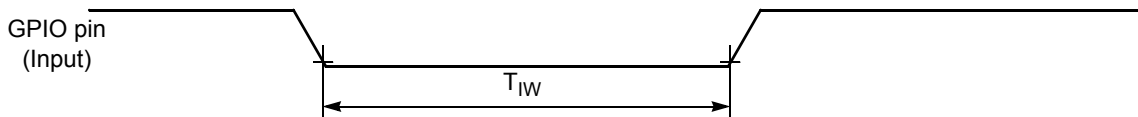


Figure 10-6 GPIO Interrupt Timing (Negative Edge-Sensitive)

10.9 Serial Peripheral Interface (SPI) Timing

Table 10-14 SPI Timing¹

| Characteristic | Symbol | Min | Max | Unit | See Figure |
|---|-----------|-------------|--------------|----------|----------------------------|
| Cycle time Master Slave | t_C | 125 62.5 | — — | ns ns | 10-7, 10-8, 10-9, 10-10 |
| Enable lead time Master Slave | t_{ELD} | — 31 | — — | ns ns | 10-10 |
| Enable lag time Master Slave | t_{ELG} | — 125 | — — | ns ns | 10-10 |
| Clock (SCK) high time Master Slave | t_{CH} | 50 31 | — — | ns ns | 10-7, 10-8, 10-9, 10-10 |
| Clock (SCK) low time Master Slave | t_{CL} | 50 31 | — — | ns ns | 10-10 |
| Data set-up time required for inputs Master Slave | t_{DS} | 20 0 | — — | ns ns | 10-7, 10-8, 10-9, 10-10 |
| Data hold time required for inputs Master Slave | t_{DH} | 0 2 | — — | ns ns | 10-7, 10-8, 10-9, 10-10 |
| Access time (time to data active from high-impedance state) Slave | t_A | 4.8 | 15 | ns | 10-10 |
| Disable time (hold time to high-impedance state) Slave | t_D | 3.7 | 15.2 | ns | 10-10 |
| Data Valid for outputs Master Slave (after enable edge) | t_{DV} | — — | 4.5 20.4 | ns ns | 10-7, 10-8, 10-9, 10-10 |
| Data invalid Master Slave | t_{DI} | 0 0 | — — | ns ns | 10-7, 10-8, 10-9, 10-10 |
| Rise time Master Slave | t_R | — — | 11.5 10.0 | ns ns | 10-7, 10-8, 10-9, 10-10 |
| Fall time Master Slave | t_F | — — | 9.7 9.0 | ns ns | 10-7, 10-8, 10-9, 10-10 |

1. Parameters listed are guaranteed by design.

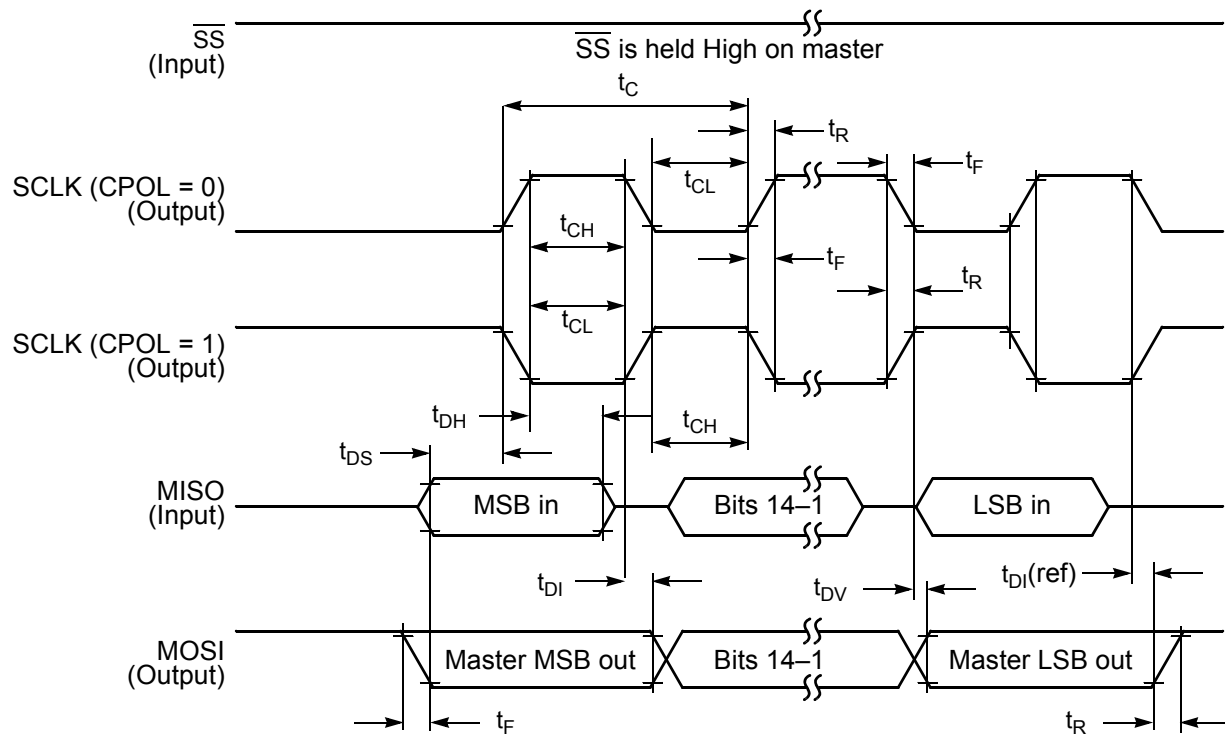


Figure 10-7 SPI Master Timing (CPHA = 0)

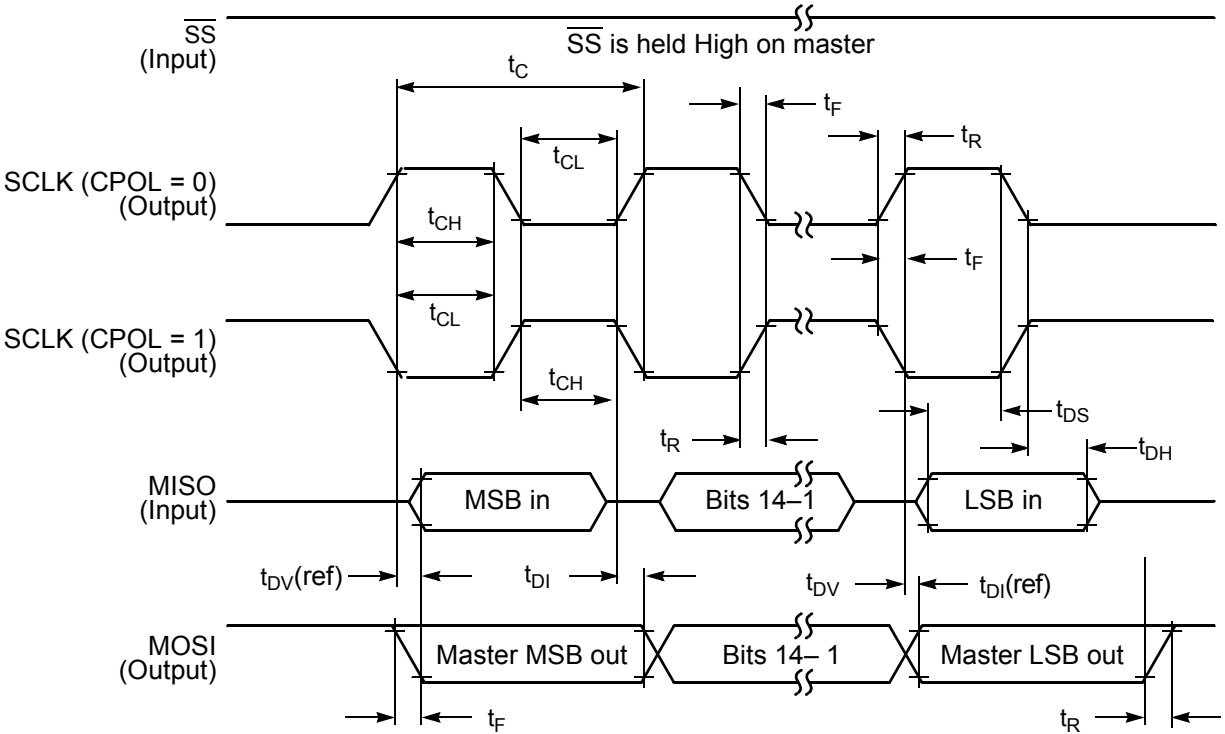


Figure 10-8 SPI Master Timing (CPHA = 1)

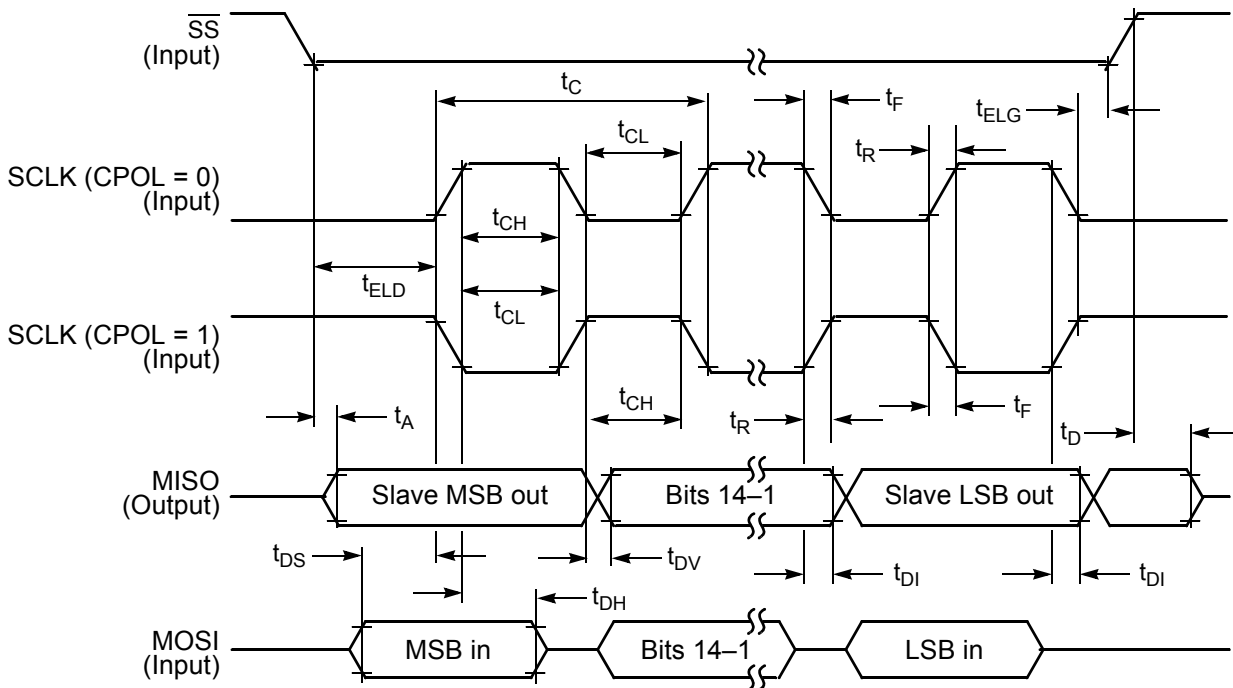


Figure 10-9 SPI Slave Timing (CPHA = 0)

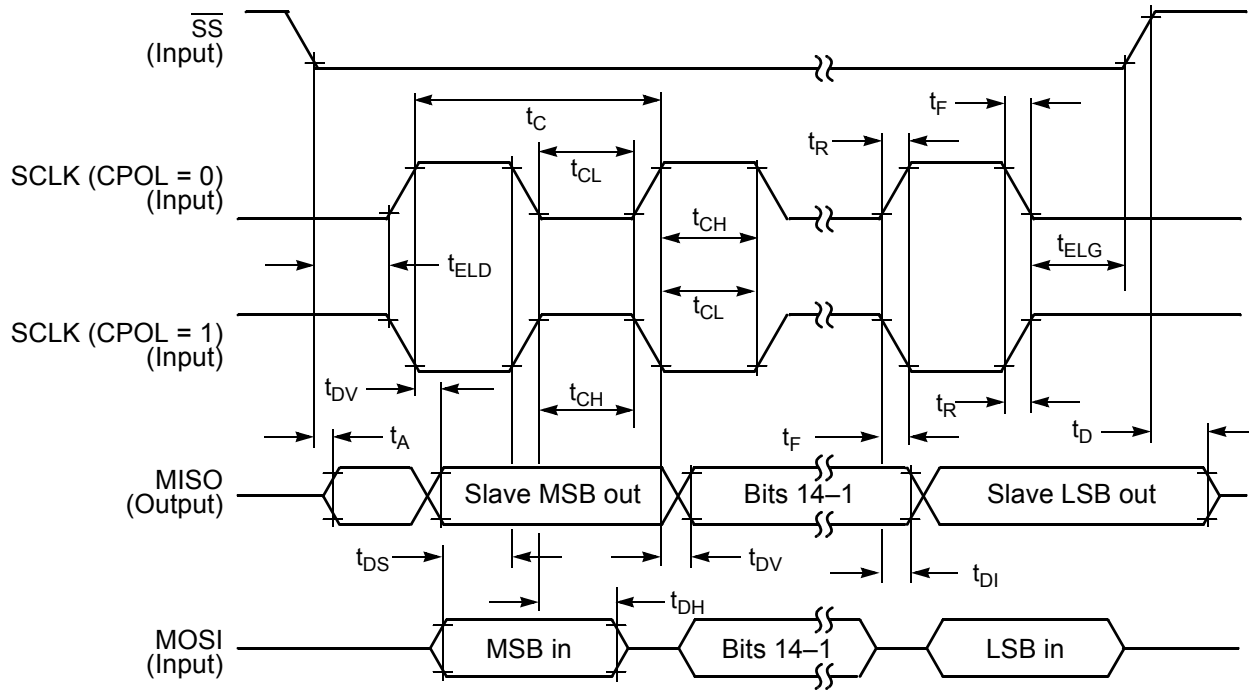


Figure 10-10 SPI Slave Timing (CPHA = 1)

10.10 Quad Timer Timing

Table 10-15 Timer Timing^{1, 2}

| Characteristic | Symbol | Min | Max | Unit | See Figure |
|--------------------------------|-------------|----------|-----|------|------------|
| Timer input period | P_{IN} | $2T + 6$ | — | ns | 10-11 |
| Timer input high / low period | P_{INHL} | $1T + 3$ | — | ns | 10-11 |
| Timer output period | P_{OUT} | 125 | — | ns | 10-11 |
| Timer output high / low period | P_{OUTHL} | 50 | — | ns | 10-11 |

1. In the formulas listed, T = the clock cycle. For 32MHz operation, T = 31.25ns.

2. Parameters listed are guaranteed by design.

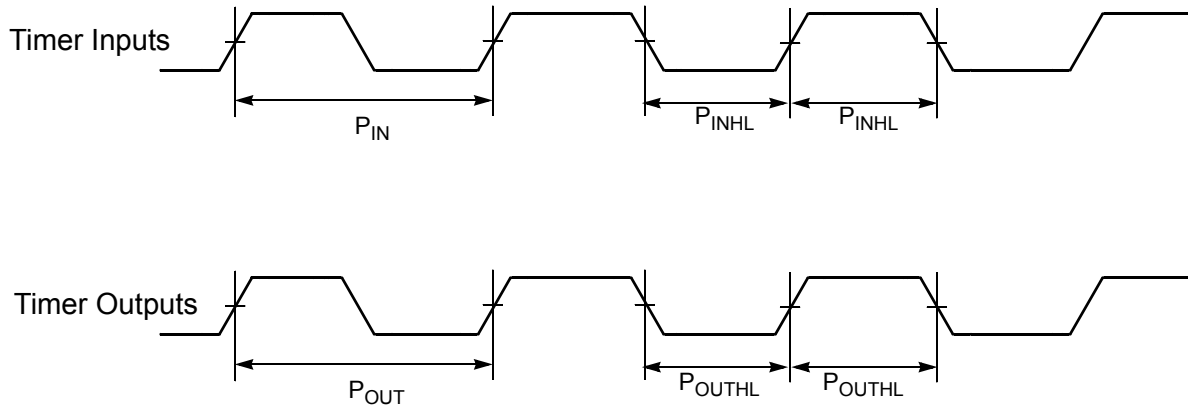


Figure 10-11 Timer Timing

10.11 Queued Serial Communication Interface (QSCI) Timing

Table 10-16 QSCI Timing¹

| Characteristic | Symbol | Min | Max | Unit | See Figure |
|---|--------------------------|----------|------------------|-------------------------|-----------------------|
| Baud Rate ² | BR | — | ($f_{MAX}/16$) | Mbps | — |
| RXD ³ Pulse Width | RXD _{PW} | 0.965/BR | 1.04/BR | ns | 10-12 |
| TXD ⁴ Pulse Width | TXD _{PW} | 0.965/BR | 1.04/BR | ns | 10-13 |
| LIN Slave Mode | | | | | |
| Deviation of slave node clock from nominal clock rate before synchronization | F _{TOL_UNSYNCH} | -14 | 14 | % | — |
| Deviation of slave node clock relative to the master node clock after synchronization | F _{TOL_SYNCH} | -2 | 2 | % | — |
| Minimum break character length | T _{BREAK} | 13 | — | Master node bit periods | — |
| | | 11 | — | Slave node bit periods | — |

1. Parameters listed are guaranteed by design.

2. f_{MAX} is the frequency of operation of the system clock in MHz, which is 32MHz for the 56F8037/56F8027 device.

3. The RXD pin in QSCI0 is named RXD0 and the RXD pin in QSCI1 is named RXD1.

4. The TXD pin in QSCI0 is named TXD0 and the TXD pin in QSCI1 is named TXD1.



Figure 10-12 RXD Pulse Width



Figure 10-13 TXD Pulse Width

10.12 Freescale's Scalable Controller Area Network (MSCAN) Timing

Table 10-17 MSCAN Timing¹

| Characteristic | Symbol | Min | Max | Unit |
|-----------------------|---------------------|--------------------|-----|------|
| Baud rate | BR _{CAN} | — | 1 | Mbps |
| Bus wake-up detection | T _{WAKEUP} | T _{IPBUS} | — | μs |

1. Parameters listed are guaranteed by design

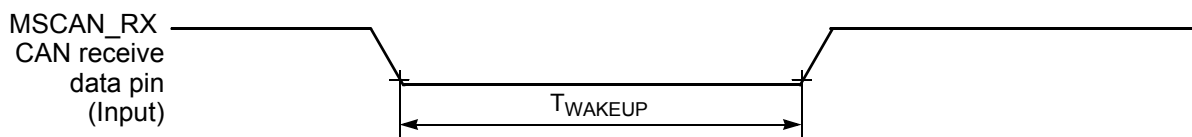


Figure 10-14 Bus Wake-up Detection

10.13 Inter-Integrated Circuit Interface (I²C) Timing

Table 10-18 I²C Timing

| Characteristic | Symbol | Standard Mode | | Fast Mode | | Unit |
|--|----------------------|------------------|-------------------|-------------------------------------|------------------|------|
| | | Minimum | Maximum | Minimum | Maximum | |
| SCL Clock Frequency | f _{SCL} | 0 | 100 | 0 | 400 | kHz |
| Hold time (repeated) START condition. After this period, the first clock pulse is generated. | t _{HD; STA} | 4.0 | — | 0.6 | — | μs |
| LOW period of the SCL clock | t _{LOW} | 4.7 | — | 1.3 | — | μs |
| HIGH period of the SCL clock | t _{HIGH} | 4.0 | — | 0.6 | — | μs |
| Set-up time for a repeated START condition | t _{SU; STA} | 4.7 | — | 0.6 | — | μs |
| Data hold time for I ² C bus devices | t _{HD; DAT} | 0 ¹ | 3.45 ² | 0 ¹ | 0.9 ² | μs |
| Data set-up time | t _{SU; DAT} | 250 ³ | — | 100 ^{3, 4} | — | ns |
| Rise time of both SDA and SCL signals | t _r | — | 1000 | 20 + 0.1C _b ⁵ | 300 | ns |
| Fall time of both SDA and SCL signals | t _f | — | 300 | 20 + 0.1C _b ⁵ | 300 | ns |

Table 10-18 I²C Timing (Continued)

| Characteristic | Symbol | Standard Mode | | Fast Mode | | Unit |
|---|---------------|---------------|---------|-----------|---------|---------|
| | | Minimum | Maximum | Minimum | Maximum | |
| Set-up time for STOP condition | $t_{SU; STO}$ | 4.0 | — | 0.6 | — | μ s |
| Bus free time between STOP and START condition | t_{BUF} | 4.7 | — | 1.3 | — | μ s |
| Pulse width of spikes that must be suppressed by the input filter | t_{SP} | N/A | N/A | 0 | 50 | ns |

1. The master mode I²C deasserts ACK of an address byte simultaneously with the falling edge of SCL. If no slaves acknowledge this address byte, a negative hold time can result, depending on the edge rates of the SDA and SCL lines.
2. The maximum $t_{HD; DAT}$ must be met only if the device does not stretch the LOW period (t_{LOW}) of the SCL signal.
3. Set-up time in slave-transmitter mode is 1 IPBus clock period, if the TX FIFO is empty.
4. A Fast mode I²C bus device can be used in a Standard mode I²C bus system, but the requirement $t_{SU; DAT} \geq 250$ ns must then be met. This will automatically be the case if the device does not stretch the LOW period of the SCL signal. If such a device does stretch the LOW period of the SCL signal, it must output the next data bit to the SDA line $t_{rmax} + t_{SU; DAT} = 1000 + 250 = 1250$ ns (according to the Standard mode I²C bus specification) before the SCL line is released.
5. C_b = total capacitance of the one bus line in pF

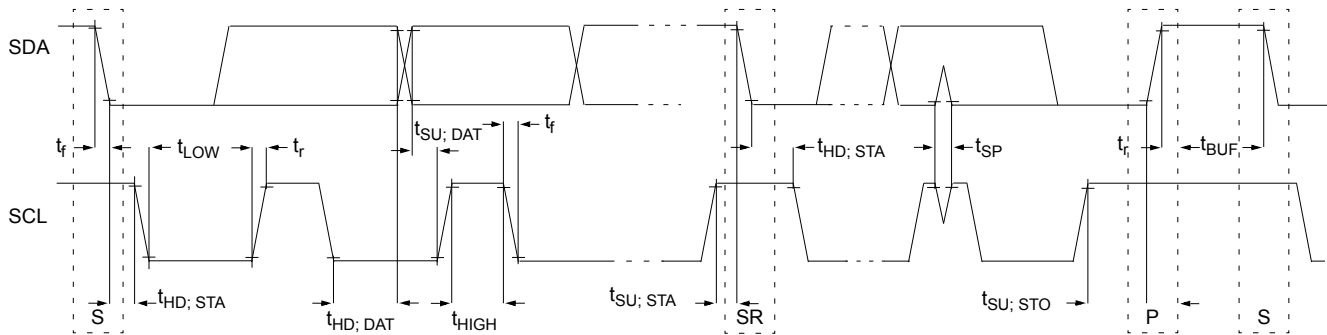


Figure 10-15 Timing Definition for Fast and Standard Mode Devices on the I²C Bus

10.14 JTAG Timing

Table 10-19 JTAG Timing

| Characteristic | Symbol | Min | Max | Unit | See Figure |
|---|----------|-----|-----------|------|-----------------------|
| TCK frequency of operation ¹ | f_{OP} | DC | SYS_CLK/8 | MHz | 10-16 |
| TCK clock pulse width | t_{PW} | 50 | — | ns | 10-16 |
| TMS, TDI data set-up time | t_{DS} | 5 | — | ns | 10-17 |
| TMS, TDI data hold time | t_{DH} | 5 | — | ns | 10-17 |
| TCK low to TDO data valid | t_{DV} | — | 30 | ns | 10-17 |
| TCK low to TDO tri-state | t_{TS} | — | 30 | ns | 10-17 |

1. TCK frequency of operation must be less than 1/8 the processor rate.

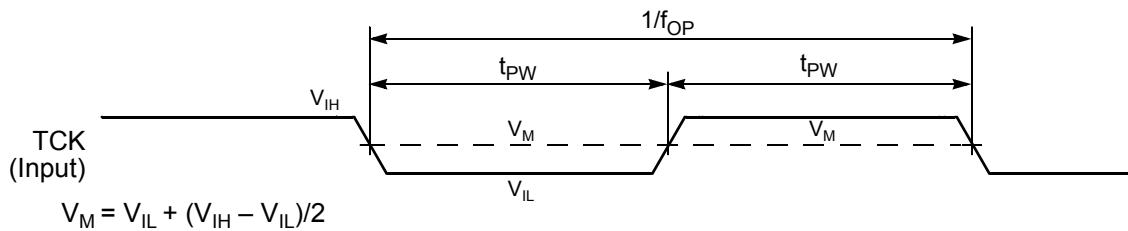


Figure 10-16 Test Clock Input Timing Diagram

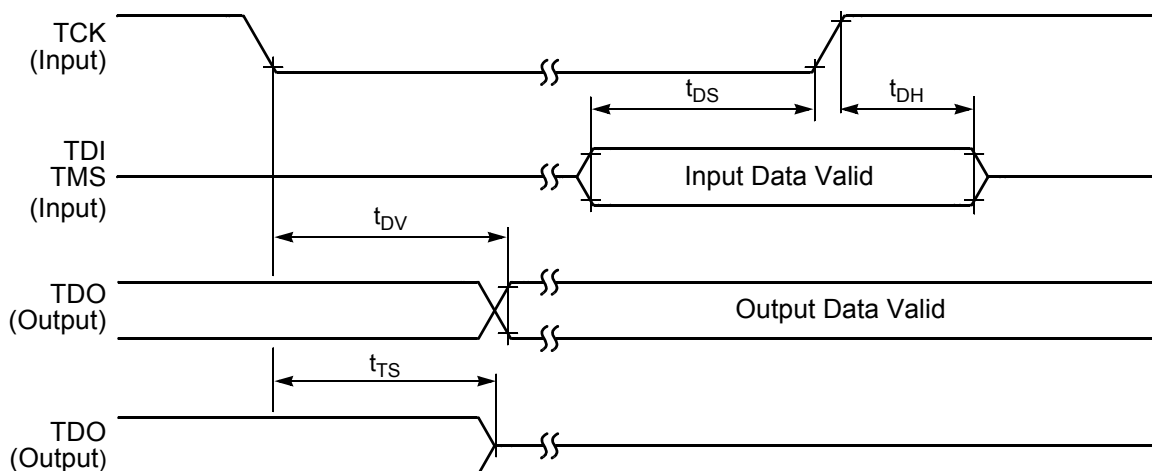


Figure 10-17 Test Access Port Timing Diagram

10.15 Analog-to-Digital Converter (ADC) Parameters

Table 10-20 ADC Parameters¹

| Parameter | Symbol | Min | Typ | Max | Unit |
|--|--------------|------------|----------------------------------|-------------|-------------------------------|
| DC Specifications | | | | | |
| Resolution | R_{ES} | 12 | — | 12 | Bits |
| ADC internal clock | f_{ADIC} | 0.1 | — | 5.33 | MHz |
| Conversion range | R_{AD} | V_{REFL} | — | V_{REFH} | V |
| ADC power-up time ² | t_{ADPU} | — | 6 | 13 | t_{AIC} cycles ³ |
| Recovery from auto standby | t_{REC} | — | 0 | 1 | t_{AIC} cycles ³ |
| Conversion time | t_{ADC} | — | 6 | — | t_{AIC} cycles ³ |
| Sample time | t_{ADS} | — | 1 | — | t_{AIC} cycles ³ |
| Accuracy | | | | | |
| Integral non-linearity ⁴ (Full input signal range) | INL | — | +/- 3 | +/- 5 | LSB ⁵ |
| Differential non-linearity | DNL | — | +/- .6 | +/- 1 | LSB ⁵ |
| Monotonicity | GUARANTEED | | | | |
| Offset Voltage Internal Ref | V_{OFFSET} | — | +/- 4 | +/- 9 | mV |
| Offset Voltage External Ref | V_{OFFSET} | — | +/- 6 | +/- 12 | mV |
| Gain Error (transfer gain) | E_{GAIN} | — | .998 to 1.002 | 1.01 to .99 | — |
| ADC Inputs⁶ (Pin Group 3) | | | | | |
| Input voltage (external reference) | V_{ADIN} | V_{REFL} | — | V_{REFH} | V |
| Input voltage (internal reference) | V_{ADIN} | V_{SSA} | — | V_{DDA} | V |
| Input leakage | I_{IA} | — | 0 | +/- 2 | μ A |
| V_{REFH} current | I_{VREFH} | — | 0 | — | μ A |
| Input injection current ⁷ , per pin | I_{ADI} | — | — | 3 | mA |
| Input capacitance | C_{ADI} | — | See Figure 10-18 | — | pF |
| Input impedance | X_{IN} | — | See Figure 10-18 | — | Ohms |
| AC Specifications | | | | | |
| Signal-to-noise ratio | SNR | 60 | 65 | | dB |
| Total Harmonic Distortion | THD | 60 | 64 | | dB |
| Spurious Free Dynamic Range | SFDR | 61 | 66 | | dB |
| Signal-to-noise plus distortion | SINAD | 58 | 62 | | dB |
| Effective Number Of Bits | ENOB | — | 10.0 | | Bits |

1. All measurements were made at $V_{DD} = 3.3V$, $V_{REFH} = 3.3V$, and $V_{REFL} = \text{ground}$

2. Includes power-up of ADC and V_{REF}

3. ADC clock cycles

4. INL measured from $V_{IN} = V_{REFL}$ to $V_{IN} = V_{REFH}$

5. LSB = Least Significant Bit = 0.806mV

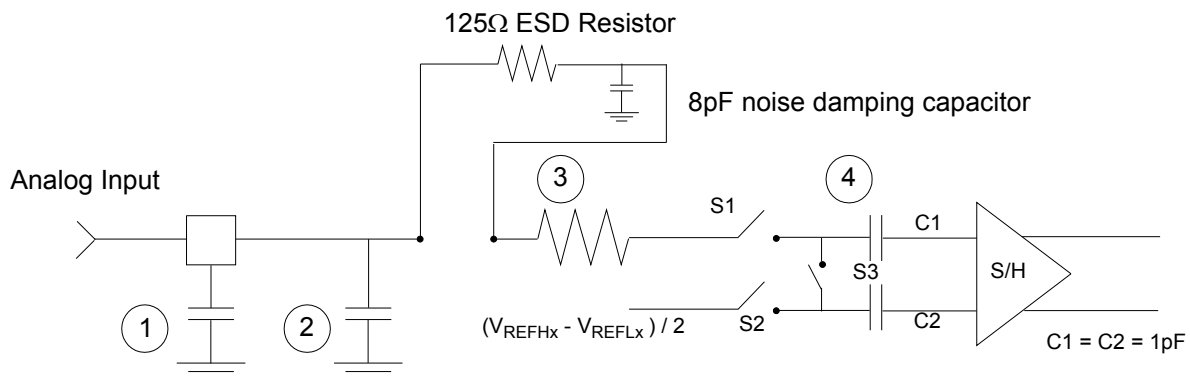
6. Pin groups are detailed following [Table 10-1](#).

7. The current that can be injected or sourced from an unselected ADC signal input without impacting the performance of the ADC.

10.16 Equivalent Circuit for ADC Inputs

Figure 10-18 illustrates the ADC input circuit during sample and hold. S1 and S2 are always open/closed at the same time that S3 is closed/open. When S1/S2 are closed and S3 is open, one input of the sample and hold circuit moves to $(V_{REFHx} - V_{REFLx}) / 2$, while the other charges to the analog input voltage. When the switches are flipped, the charge on C1 and C2 are averaged via S3, with the result that a single-ended analog input is switched to a differential voltage centered about $(V_{REFHx} - V_{REFLx}) / 2$. The switches switch on every cycle of the ADC clock (open one-half ADC clock, closed one-half ADC clock). Note that there are additional capacitances associated with the analog input pad, routing, etc., but these do not filter into the S/H output voltage, as S1 provides isolation during the charge-sharing phase.

One aspect of this circuit is that there is an on-going input current, which is a function of the analog input voltage, V_{REF} , and the ADC clock frequency.



1. Parasitic capacitance due to package, pin-to-pin and pin-to-package base coupling; 1.8pF
2. Parasitic capacitance due to the chip bond pad, ESD protection devices and signal routing; 2.04pF
3. Equivalent resistance for the channel select mux; 100 ohms
4. Sampling capacitor at the sample and hold circuit. Capacitor C1 is normally disconnected from the input and is only connected to it at sampling time; 1.4pF

Figure 10-18 Equivalent Circuit for A/D Loading

10.17 Comparator (CMP) Parameters

Table 10-21 CMP Parameters

| Parameter | Conditions/Comments | Symbol | Min | Typ | Max | Unit |
|-----------------------------------|--|--------------|-----|-----|-----|------|
| Input Offset Voltage ¹ | Within range of $V_{DDA} - .1V$ to $V_{SSA} + .1V$ | V_{OFFSET} | — | ±10 | ±35 | mV |
| Input Propagation Delay | | t_{PD} | — | 35 | 45 | ns |
| Power-up time | | t_{CPU} | — | TBD | TBD | |

1. No guaranteed specification within 0.1V of V_{DDA} or V_{SSA}

10.18 Digital-to-Analog Converter (DAC) Parameters

Table 10-22 DAC Parameters

| Parameter | Conditions/Comments | Symbol | Min | Typ | Max | Unit |
|---|--|--------------|----------------------|--------|-----------------------|------------------|
| DC Specifications | | | | | | |
| Resolution | | | 12 | | 12 | bits |
| Conversion time | | | TBD | — | 2 | μ S |
| Conversion rate | | | TBD | — | 500.000 | conv/sec |
| Power-up time | Time from release of PWRDWN signal until DACOUT signal is valid | t_{DAPU} | — | — | 11 | μ S |
| Accuracy | | | | | | |
| Integral non-linearity ¹ | Range of input digital words: 410 to 3891 (\$19A - \$F33) 5% to 95% of full range | INL | — | +/- 3 | +/- 8.0 | LSB ² |
| Differential non-linearity ¹ | Range of input digital words: 410 to 3891 (\$19A - \$F33) 5% to 95% of full range | DNL | — | +/- .8 | < - 1 | LSB ² |
| Monotonicity | > 6 sigma monotonicity, < 3.4 ppm non-monotonicity | | guaranteed | | | — |
| Offset error ¹ | Range of input digital words: 410 to 3891 (\$19A - \$F33) 5% to 95% of full range | V_{OFFSET} | — | +/- 25 | +/- 40 | mV |
| Gain error ¹ | Range of input digital words: 410 to 3891 (\$19A - \$F33) 5% to 95% of full range | E_{GAIN} | — | +/- .5 | +/- 1.5 | % |
| DAC Output | | | | | | |
| Output voltage range | Within 40mV of either V_{REFLX} or V_{REFHX} | V_{OUT} | V_{REFLX} +.04V | — | V_{REFHX} - .04V | V |
| Short circuit current | DACOUT shorted to ground with input digital word = \$FFF | I_{SC} | — | 70 | 100 | mA |
| | DACOUT shorted to V_{DDA} with input digital word = \$000 | I_{SC} | — | 50 | 75 | |
| AC Specifications | | | | | | |
| Signal-to-noise ratio | | SNR | — | TBD | — | dB |
| Spurious free dynamic range | | SFDR | — | TBD | — | dB |
| Effective number of bits | | ENOB | 9 | — | — | bits |

1. No guaranteed specification within 5% of V_{DDA} or V_{SSA}

2. LSB = 0.806mV

10.19 Power Consumption

See [Section 10.1](#) for a list of IDD requirements for the 56F8037/56F8027. This section provides additional detail which can be used to optimize power consumption for a given application.

Power consumption is given by the following equation:

$$\begin{aligned} \text{Total power} = & \quad \text{A: internal [static component]} \\ & \quad +\text{B: internal [state-dependent component]} \\ & \quad +\text{C: internal [dynamic component]} \\ & \quad +\text{D: external [dynamic component]} \\ & \quad +\text{E: external [static component]} \end{aligned}$$

A, the internal [static component], is comprised of the DC bias currents for the oscillator, leakage currents, PLL, and voltage references. These sources operate independently of processor state or operating frequency.

B, the internal [state-dependent component], reflects the supply current required by certain on-chip resources only when those resources are in use. These include RAM, Flash memory and the ADCs.

C, the internal [dynamic component], is classic $C \cdot V^2 \cdot F$ CMOS power dissipation corresponding to the 56800E core and standard cell logic.

D, the external [dynamic component], reflects power dissipated on-chip as a result of capacitive loading on the external pins of the chip. This is also commonly described as $C \cdot V^2 \cdot F$, although simulations on two of the I/O cell types used on the 56800E reveal that the power-versus-load curve does have a non-zero Y-intercept.

Table 10-23 I/O Loading Coefficients at 10MHz

| | Intercept | Slope |
|-----------|-----------|-------------|
| 8mA drive | 1.3 | 0.11mW / pF |
| 4mA drive | 1.15mW | 0.11mW / pF |

Power due to capacitive loading on output pins is (first order) a function of the capacitive load and frequency at which the outputs change. [Table 10-23](#) provides coefficients for calculating power dissipated in the I/O cells as a function of capacitive load. In these cases:

$$\text{TotalPower} = \Sigma((\text{Intercept} + \text{Slope} \cdot \text{Cload}) \cdot \text{frequency} / 10\text{MHz})$$

where:

- Summation is performed over all output pins with capacitive loads
- TotalPower is expressed in mW
- Cload is expressed in pF

Because of the low duty cycle on most device pins, power dissipation due to capacitive loads was found to be fairly low when averaged over a period of time.

E, the external [static component], reflects the effects of placing resistive loads on the outputs of the device. Sum the total of all V^2/R or IV to arrive at the resistive load contribution to power. Assume $V = 0.5$ for the purposes of these rough calculations. For instance, if there is a total of eight PWM outputs driving 10mA into LEDs, then $P = 8 * .5 * .01 = 40\text{mW}$.

In previous discussions, power consumption due to parasitics associated with pure input pins is ignored, as it is assumed to be negligible.

Part 11 Packaging

11.1 56F8037/56F8027 Package and Pin-Out Information

This section contains package and pin-out information for the 56F8037/56F8027. This device comes in a 64-pin Low-profile Quad Flat Pack (LQFP). **Figure 11-1** shows the package outline, **Figure 11-2** shows the mechanical parameters and **Table 11-1** lists the pin-out.

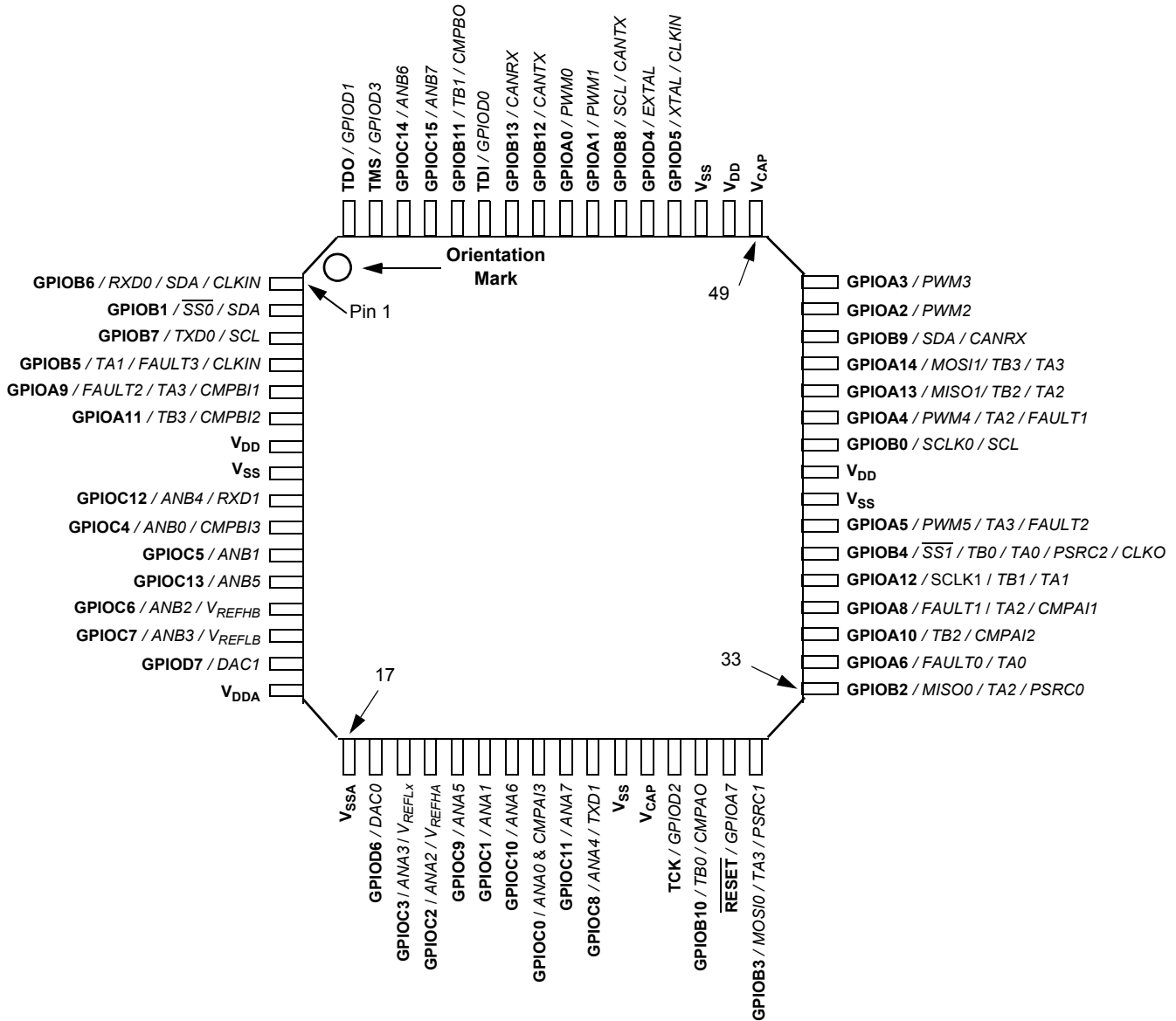
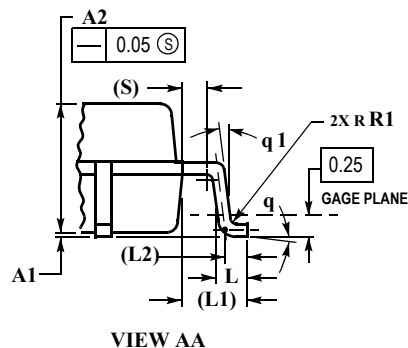
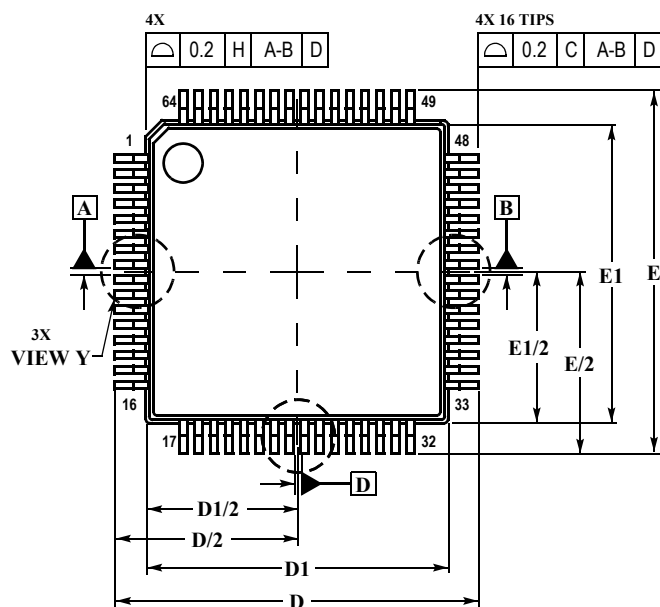


Figure 11-1 Top View, 56F8037/56F8027 64-Pin LQFP Package

Table 11-1 56F8037/56F8027 64-Pin LQFP Package Identification by Pin Number¹

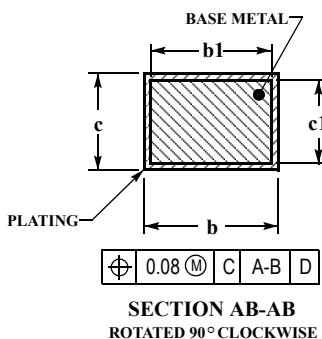
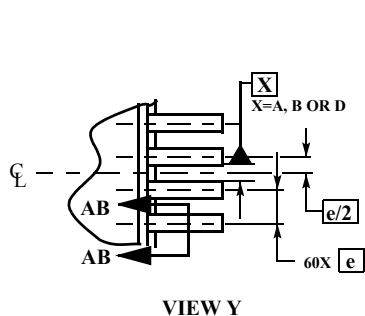
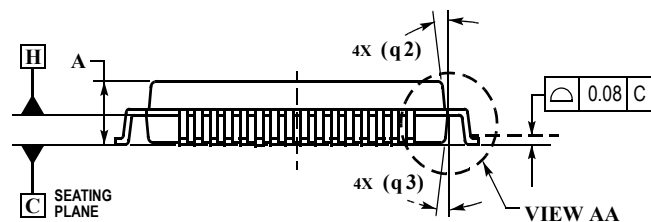
| Pin # | Signal Name | Pin # | Signal Name | Pin # | Signal Name | Pin # | Signal Name |
|-------|---|-------|--|-------|--|-------|--------------------------------------|
| 1 | GPIOB6 <i>RXD0 / SDA / CLKIN</i> | 17 | V_{SSA} | 33 | GPIOB2 <i>MISO0 / TA2 / PSRC0</i> | 49 | V_{CAP} |
| 2 | GPIOB1 <i>SS0 / SDA</i> | 18 | GPIOD6 <i>DAC0</i> | 34 | GPIOA6 <i>FAULT0 / TA0</i> | 50 | V_{DD} |
| 3 | GPIOB7 <i>TXD0 / SCL</i> | 19 | GPIOC3 <i>ANA3 / V_{REFLA}</i> | 35 | GPIOA10 <i>TB2 / CMPAI2</i> | 51 | V_{SS} |
| 4 | GPIOB5 <i>TA1 / FAULT3 / CLKIN</i> | 20 | GPIOC2 <i>ANA2 / V_{REFHA}</i> | 36 | GPIOA8 <i>FAULT1 / TA2 / CMPAI1</i> | 52 | GPIOD5 <i>XTAL / CLKIN</i> |
| 5 | GPIOA9 <i>FAULT2 / TA3 / CMPBI1</i> | 21 | GPIOC9 <i>ANA5</i> | 37 | GPIOA12 <i>SCLK1 / TB1 / TA1</i> | 53 | GPIOD4 <i>EXTAL</i> |
| 6 | GPIOA11 <i>TB3 / CMPBI2</i> | 22 | GPIOC1 <i>ANA1</i> | 38 | GPIOB4 <i>SS1 / TB0 / TA0 / PSRC2 / CLKO</i> | 54 | GPIOB8 <i>SCL / CANTX</i> |
| 7 | V_{DD} | 23 | GPIOC10 <i>ANA6</i> | 39 | GPIOA5 <i>PWM5 / TA3 / FAULT2</i> | 55 | GPIOA1 <i>PWM1</i> |
| 8 | V_{SS} | 24 | GPIOC0 <i>ANA0 & CMPAI3</i> | 40 | V_{SS} | 56 | GPIOA0 <i>PWM0</i> |
| 9 | GPIOC12 <i>ANB4 / RXD1</i> | 25 | GPIOC11 <i>ANA7</i> | 41 | V_{DD} | 57 | GPIOB12 <i>CANTX</i> |
| 10 | GPIOC4 <i>ANB0 & CMPBI3</i> | 26 | GPIOC8 <i>ANA4 / TXD1</i> | 42 | GPIOB0 <i>SCLK0 / SCL</i> | 58 | GPIOB13 <i>CANRX</i> |
| 11 | GPIOC5 <i>ANB1</i> | 27 | V_{SS} | 43 | GPIOA4 <i>PWM4 / TA2 / FAULT1</i> | 59 | TDI <i>GPIOD0</i> |
| 12 | GPIOC13 <i>ANB5</i> | 28 | V_{CAP} | 44 | GPIOA13 <i>MISO1 / TB2 / TA2</i> | 60 | GPIOB11 <i>TB1 / CMPBO</i> |
| 13 | GPIOC6 <i>ANB2 / V_{REFHB}</i> | 29 | TCK <i>GPIOD2</i> | 45 | GPIOA14 <i>MOSI1 / TB3 / TA3</i> | 61 | GPIOC15 <i>ANB7</i> |
| 14 | GPIOC7 <i>ANB3 / V_{REFLB}</i> | 30 | GPIOB10 <i>TB0 / CMPAO</i> | 46 | GPIOB9 <i>SDA / CANRX</i> | 62 | GPIOC14 <i>ANB6</i> |
| 15 | GPIOD7 <i>DAC1</i> | 31 | RESET <i>GPIOA7</i> | 47 | GPIOA2 <i>PWM2</i> | 63 | TMS <i>GPIOD3</i> |
| 16 | V_{DDA} | 32 | GPIOB3 <i>MOSI0 / TA3 / PSRC1</i> | 48 | GPIOA3 <i>PWM3</i> | 64 | TDO <i>GPIOD1</i> |

1. Alternate signals are in italic



NOTES:

- DIMENSIONS AND TOLERANCING PER ANSI Y14.5M, 1982.
- CONTROLLING DIMENSION: MILLIMETER.
- DATUM PLANE DATUM H IS LOCATED AT BOTTOM OF LEAD AND IS COINCIDENT WITH THE LEAD WHERE THE LEAD EXITS THE PLASTIC BODY AT THE BOTTOM OF THE PARTING LINE.
- DATUMS A, B AND D TO BE DETERMINED AT DATUM PLANE DATUM C.
- DIMENSIONS D AND E TO BE DETERMINED AT SEATING PLANE DATUM C.
- DIMENSIONS D1 AND E1 DO NOT INCLUDE MOLD PROTRUSION. ALLOWABLE PROTRUSION IS 0.25 PER SIDE.
- DIMENSION b DOES NOT INCLUDE DAMBAR PROTRUSION. DAMBAR PROTRUSION SHALL NOT CAUSE THE b DIMENSION TO EXCEED 0.35. MINIMUM SPACE BETWEEN PROTRUSION AND ADJACENT LEAD OR PROTRUSION 0.07.



| DIM | MILLIMETERS | |
|-----|-------------|------|
| | MIN | MAX |
| A | --- | 1.60 |
| A1 | 0.05 | 0.15 |
| A2 | 1.35 | 1.45 |
| b | 0.17 | 0.27 |
| b1 | 0.17 | 0.23 |
| c | 0.09 | 0.20 |
| c1 | 0.09 | 0.16 |
| D | 12.00 | BSC |
| D1 | 10.00 | BSC |
| e | 0.50 | BSC |
| E | 12.00 | BSC |
| E1 | 10.00 | BSC |
| L | 0.45 | 0.75 |
| L1 | 1.00 | REF |
| L2 | 0.50 | REF |
| R1 | 0.10 | 0.20 |
| S | 0.20 | REF |
| q | 0° | 7° |
| q 1 | 0° | --- |
| q 2 | 12° | REF |
| q 3 | 12° | REF |

Figure 11-2 56F8037/56F8027 64-Pin LQFP Mechanical Information

Please see www.freescale.com for the most current case outline.

Part 12 Design Considerations

12.1 Thermal Design Considerations

An estimation of the chip junction temperature, T_J , can be obtained from the equation:

$$T_J = T_A + (R_{\theta JA} \times P_D)$$

where:

T_A = Ambient temperature for the package ($^{\circ}\text{C}$)

$R_{\theta JA}$ = Junction-to-ambient thermal resistance ($^{\circ}\text{C}/\text{W}$)

P_D = Power dissipation in the package (W)

The junction-to-ambient thermal resistance is an industry-standard value that provides a quick and easy estimation of thermal performance. Unfortunately, there are two values in common usage: the value determined on a single-layer board and the value obtained on a board with two planes. For packages such as the PBGA, these values can be different by a factor of two. Which value is closer to the application depends on the power dissipated by other components on the board. The value obtained on a single layer board is appropriate for the tightly packed printed circuit board. The value obtained on the board with the internal planes is usually appropriate if the board has low-power dissipation and the components are well separated.

When a heat sink is used, the thermal resistance is expressed as the sum of a junction-to-case thermal resistance and a case-to-ambient thermal resistance:

$$R_{\theta JA} = R_{\theta JC} + R_{\theta CA}$$

where:

$R_{\theta JA}$ = Package junction-to-ambient thermal resistance ($^{\circ}\text{C}/\text{W}$)

$R_{\theta JC}$ = Package junction-to-case thermal resistance ($^{\circ}\text{C}/\text{W}$)

$R_{\theta CA}$ = Package case-to-ambient thermal resistance ($^{\circ}\text{C}/\text{W}$)

$R_{\theta JC}$ is device related and cannot be influenced by the user. The user controls the thermal environment to change the case to ambient thermal resistance, $R_{\theta CA}$. For instance, the user can change the size of the heat sink, the air flow around the device, the interface material, the mounting arrangement on printed circuit board, or change the thermal dissipation on the printed circuit board surrounding the device.

To determine the junction temperature of the device in the application when heat sinks are not used, the Thermal Characterization Parameter (Ψ_{JT}) can be used to determine the junction temperature with a measurement of the temperature at the top center of the package case using the following equation:

$$T_J = T_T + (\Psi_{JT} \times P_D)$$

where:

T_T = Thermocouple temperature on top of package ($^{\circ}\text{C}$)

Ψ_{JT} = Thermal characterization parameter ($^{\circ}\text{C}/\text{W}$)

P_D = Power dissipation in package (W)

The thermal characterization parameter is measured per JESD51-2 specification using a 40-gauge type T thermocouple epoxied to the top center of the package case. The thermocouple should be positioned so that the thermocouple junction rests on the package. A small amount of epoxy is placed over the thermocouple junction and over about 1mm of wire extending from the junction. The thermocouple wire is placed flat against the package case to avoid measurement errors caused by cooling effects of the thermocouple wire.

When heat sink is used, the junction temperature is determined from a thermocouple inserted at the interface between the case of the package and the interface material. A clearance slot or hole is normally required in the heat sink. Minimizing the size of the clearance is important to minimize the change in thermal performance caused by removing part of the thermal interface to the heat sink. Because of the experimental difficulties with this technique, many engineers measure the heat sink temperature and then back-calculate the case temperature using a separate measurement of the thermal resistance of the interface. From this case temperature, the junction temperature is determined from the junction-to-case thermal resistance.

12.2 Electrical Design Considerations

CAUTION

This device contains protective circuitry to guard against damage due to high static voltage or electrical fields. However, normal precautions are advised to avoid application of any voltages higher than maximum-rated voltages to this high-impedance circuit. Reliability of operation is enhanced if unused inputs are tied to an appropriate voltage level.

Use the following list of considerations to assure correct operation of the 56F8037/56F8027:

- Provide a low-impedance path from the board power supply to each V_{DD} pin on the 56F8037/56F8027 and from the board ground to each V_{SS} (GND) pin
- The minimum bypass requirement is to place 0.01–0.1 μ F capacitors positioned as close as possible to the package supply pins. The recommended bypass configuration is to place one bypass capacitor on each of the V_{DD}/V_{SS} pairs, including V_{DDA}/V_{SSA} . Ceramic and tantalum capacitors tend to provide better tolerances.
- Ensure that capacitor leads and associated printed circuit traces that connect to the chip V_{DD} and V_{SS} (GND) pins are as short as possible
- Bypass the V_{DD} and V_{SS} with approximately 100 μ F, plus the number of 0.1 μ F ceramic capacitors
- PCB trace lengths should be minimal for high-frequency signals
- Consider all device loads as well as parasitic capacitance due to PCB traces when calculating capacitance. This is especially critical in systems with higher capacitive loads that could create higher transient currents in the V_{DD} and V_{SS} circuits.



- Take special care to minimize noise levels on the V_{REF} , V_{DDA} , and V_{SSA} pins
- Using separate power planes for V_{DD} and V_{DDA} and separate ground planes for V_{SS} and V_{SSA} are recommended. Connect the separate analog and digital power and ground planes as close as possible to power supply outputs. If both analog circuit and digital circuit are powered by the same power supply, it is advisable to connect a small inductor or ferrite bead in serial with both V_{DDA} and V_{SSA} traces.
- It is highly desirable to physically separate analog components from noisy digital components by ground planes. Do not place an analog trace in parallel with digital traces. It is also desirable to place an analog ground trace around an analog signal trace to isolate it from digital traces.
- Because the Flash memory is programmed through the JTAG/EOnCE port, QSPI, QSCI, or I^2C , the designer should provide an interface to this port if in-circuit Flash programming is desired
- If desired, connect an external RC circuit to the \overline{RESET} pin. The Resistor value should be in the range of 4.7k—10k; the Capacitor value should be in the range of 0.22 μ f - 4.7 μ f.
- Add a 3.3k external pull-up on the TMS pin of the JTAG port to keep EOnce in a restate during normal operation if JTAG converter is not present
- During reset and after reset but before I/O initialization, all I/O pins are at input state with internal pull-up enable. The typical value of internal pull-up is around 110K. These internal pull-ups can be disabled by software.
- To eliminate PCB trace impedance effect, each ADC input should have a 33pf-10 ohm RC filter
- Device GPIOs have only a down (substrate) diode on the GPIO circuit. Devices do not have a positive clamp diode because GPIOs use a floating gate structure to tolerate 5V input. The absolute maximum clamp current is -20mA at V_{in} less than 0V. The continuous clamp current is -2mA at V_{in} less than 0V. If positive voltage spikes are a concern, a positive clamp is recommended.

Part 13 Ordering Information

Table 13-1 lists the pertinent information needed to place an order. Consult a Freescale Semiconductor sales office or authorized distributor to determine availability and to order devices.

Table 13-1 56F8037/56F8027 Ordering Information

| Device | Supply Voltage | Package Type | Pin Count | Frequency (MHz) | Ambient Temperature Range | Order Number |
|-----------|----------------|-----------------------------------|-----------|-----------------|---------------------------|---------------|
| MC56F8037 | 3.0–3.6 V | Low-Profile Quad Flat Pack (LQFP) | 64 | 32 | -40° to + 105° C | MC56F8037VLH* |
| MC56F8027 | 3.0–3.6 V | Low-Profile Quad Flat Pack (LQFP) | 64 | 32 | -40° to + 105° C | MC56F8027VLH* |
| MC56F8037 | 3.0–3.6 V | Low-Profile Quad Flat Pack (LQFP) | 64 | 32 | -40° to + 125° C | MC56F8037MLH* |
| MC56F8027 | 3.0–3.6 V | Low-Profile Quad Flat Pack (LQFP) | 64 | 32 | -40° to + 125° C | MC56F8027MLH* |

* This package is RoHS compliant.

Part 14 Appendix

Register acronyms are revised from previous device data sheets to provide a cleaner register description. A cross reference to legacy and revised acronyms are provided in the following table.

Table 14-1 Legacy and Revised Acronyms

| Register Name | Peripheral Reference Manual | | Data Sheet | | Processor Expert Acronym | Memory Address | |
|---|-----------------------------|----------------|--------------|----------------|--------------------------|----------------|--------|
| | New Acronym | Legacy Acronym | New Acronym | Legacy Acronym | | Start | End |
| Analog-to-Digital Converter (ADC) Module | | | | | | | |
| Control 1 Register | CTRL1 | ADCR1 | ADC_CTRL1 | ADC_ADCR1 | ADC_ADCR1 | 0xF080 | |
| Control 2 Register | CTRL2 | ADCR2 | ADC_CTRL2 | ADC_ADCR2 | ADC_ADCR2 | 0xF081 | |
| Zero Crossing Control Register | ZXCTRL | ADZCC | ADC_ZXCTRL | ADC_ADZCC | ADC_ADZCC | 0xF082 | |
| Channel List 1 Register | CLIST1 | ADLST1 | ADC_CLIST1 | ADC_ADLST1 | ADC_ADLST1 | 0xF083 | |
| Channel List 2 Register | CLIST2 | ADLST2 | ADC_CLIST2 | ADC_ADLST2 | ADC_ADLST2 | 0xF084 | |
| Channel List 3 Register | CLIST3 | | ADC_CLIST3 | ADC_ADCLST3 | ADC_ADCLST3 | 0xF085 | |
| Channel List 4 Register | CLIST4 | | ADC_CLIST4 | ADC_ADCLST4 | ADC_ADCLST4 | 0xF086 | |
| Sample Disable Register | SDIS | ADSDIS | ADC_SDIS | ADC_ADSDIS | ADC_ADSDIS | 0xF087 | |
| Status Register | STAT | ADSTAT | ADC_STAT | ADC_ADSTAT | ADC_ADSTAT | 0xF088 | |
| Conversion Ready Register | RDY | | ADC_CNRDY | ADC_ADCNRDY | ADC_ADCNRDY | 0xF089 | |
| Limit Status Register | LIMSTAT | ADLSTAT | ADC_LIMSTAT | ADC_ADLSTAT | ADC_ADLSTAT | 0xF08A | |
| Zero Crossing Status Register | ZXSTAT | ADZCSTAT | ADC_ZXSTAT | ADC_ADZCSTAT | ADC_ADZCSTAT | 0xF08B | |
| Result 0-7 Registers | RSLT0-7 | ADRSLT0-7 | ADC_RSLT0-7 | ADC_ADRSLT0-7 | ADC_ADRSLT0-7 | 0xF08C | 0XF093 |
| Result 8-15 Registers | RSLT8-15 | | ADC_RSLT8-15 | ADC_ADRSLT8-15 | ADC_ADRSLT8-15 | 0xF094 | 0XF09B |
| Low Limit 0-7 Registers | LOLIM0-7 | ADLLMT0-7 | ADC_LOLIM0-7 | ADC_ADLLMT0-7 | ADC_ADLLMT0-7 | 0XF09C | 0XF0A3 |
| High Limit 0-7 Registers | HILIM0-7 | ADHLMT0-7 | ADC_HILIM0-7 | ADC_ADHLMT0-7 | ADC_ADHLMT0-7 | 0XF0A4 | 0XF0AB |
| Offset 0-7 Registers | OFFST0-7 | ADOFFS0-7 | ADC_OFFST0-7 | ADC_ADOFS0-7 | ADC_ADOFS0-7 | 0XF0AC | 0XF0B3 |
| Power Control Register | PWR | ADPOWER | ADC_PWR | ADC_ADPOWER | ADC_ADPOWER | 0XF0B4 | |
| Calibration Register | CAL | | ADC_CAL | ADC_ADCAL | ADC_ADCAL | 0XF0B5 | |
| Computer Operating Properly (COP) Module | | | | | | | |
| Control Register | CTRL | COPCTL | COP_CTRL | COPCTL | COPCTL | 0XF120 | |
| Timeout Register | TOUT | COPTO | COP_TOUT | COPTO | COPTO | 0XF121 | |
| Counter Register | CNTR | COPCTR | COP_CNTR | COPCTR | COPCTR | 0XF122 | |

Table 14-1 Legacy and Revised Acronyms (Continued)

| Register Name | Peripheral Reference Manual | | Data Sheet | | Processor Expert Acronym | Memory Address | |
|---|-----------------------------|----------------|-------------------|------------------|--------------------------|----------------|-----|
| | New Acronym | Legacy Acronym | New Acronym | Legacy Acronym | | Start | End |
| Inter-Integrated Circuit Interface (I²C) Module | | | | | | | |
| Control Register | CTRL | IBCR | I2C_CTRL | I2C_IBCR | I2C_IBCR | 0xF280 | |
| Target Address Register | TAR | | I2C_TAR | I2CTAR | I2C_TAR | 0xF282 | |
| Slave Address Register | SAR | | I2C_SAR | I2CSAR | I2C_SAR | 0xF242 | |
| Data Buffer & Command Register | DATA | | I2C_DATA | I2C_DATACMD | I2C_DATACMD | 0xF288 | |
| Standard Speed Clock SCL High Count Register | SSHCNT | | I2C_SS_SCL_HCNT | I2C_SS_SCLHCNT | I2C_SS_SCLHCNT | 0xF28A | |
| Standard Speed Clock SCL Low Count Register | SSLCNT | | I2C_SS_SCL_LCNT | I2C_SS_SCLLCNT | I2C_SS_SCLLCNT | 0xF28C | |
| Fast Speed Clock SCL High Count Register | FSHCNT | | I2C_FS_SCL_HCNT | I2C_FS_SCLHCNT | I2C_FS_SCLHCNT | 0xF28E | |
| Fast Speed Clock SCL Low Count Register | FSLCNT | | I2C_FS_SCL_LCNT | I2C_FS_SCLLCNT | I2C_FS_SCLLCNT | 0xF290 | |
| Interrupt Status Register | ISTAT | | I2C_INTR_STAT | I2C_INTRSTAT | I2C_INTRSTAT | 0xF296 | |
| Interrupt Mask Register | IENBL | | I2C_INTR_MASK | I2C_INTRMASK | I2C_INTRMASK | 0xF298 | |
| Raw Interrupt Status Register | RISTAT | | I2C_RAW_INTR_STAT | I2C_RAW_INTRSTAT | I2C_RAW_INTRSTAT | 0xF29A | |
| Receive FIFO Threshold Level Register | RXFT | | I2C_RXTL | | I2C_RXTL | 0xF29C | |
| Transmit FIFO Threshold Level Register | TXFT | | I2C_TXTL | | I2C_TXTL | 0xF29E | |
| Clear Combined & Individual Interrupts Register | CLRINT | | I2C_CLRINTR | | I2C_CLRINTR | 0xF2A0 | |
| Clear Receive Under Interrupt Register | CLRRXUND | | I2C_CLR_RXUNDER | | I2C_CLR_RXUNDER | 0xF2A2 | |
| Clear Receive Over Interrupt Register | CLRRXOVR | | I2C_CLROVER | | I2C_CLROVER | 0xF2A4 | |
| Clear Transmit Over Register | CLRTXOVR | | I2C_CLR_TXOVR | | I2C_CLR_TXOVR | 0xF2A6 | |
| Clear Read Required Interrupt Register | CLRFDREQ | | I2C_CLR_FDREQ | | I2C_CLR_FDREQ | 0xF2A8 | |
| Clear Transmit Abort Interrupt Register | CLRTXABRT | | I2C_CLR_TXABRT | | I2C_CLR_TXABRT | 0xF2AA | |

Table 14-1 Legacy and Revised Acronyms (Continued)

| Register Name | Peripheral Reference Manual | | Data Sheet | | Processor Expert Acronym | Memory Address | |
|--|-----------------------------|----------------|------------------|----------------|--------------------------|----------------|-----|
| | New Acronym | Legacy Acronym | New Acronym | Legacy Acronym | | Start | End |
| Clear Receive Done Interrupt Register | CLRFXDONE | | I2C_CLR_RXDONE | | I2C_CLR_RXDONE | 0xF2AC | |
| Clear Activity Interrupt Register | CLRACT | | I2C_CLRACTIVITY | | I2C_CLRACTIVITY | 0xF2AE | |
| Clear Stop Detect Interrupt Register | CLRSTPDET | | I2C_CLR_STOPDET | | I2C_CLR_STOPDET | 0xF2B0 | |
| Clear Start Detect Interrupt Register | CLRSTDET | | I2C_CLR_STAR_DET | | I2C_CLR_STAR_DET | 0xF2B2 | |
| Clear General Call Interrupt Register | CLRGC | | I2C_CLR_GENCALL | | I2C_CLR_GENCALL | 0xF2B4 | |
| Enable Register | ENBL | | I2C_ENABLE | | I2C_ENABLE | 0xF2B6 | |
| Status Register | STAT | | I2C_STAT | | I2C_STAT | 0xF2B8 | |
| Transmit FIFO Level Register | TXFLR | | I2C_TXFLR | | I2C_TXFLR | 0xF2BA | |
| Receive FIFO Level Register | RXFLR | | I2C_RXFLR | | I2C_RXFLR | 0xF2BC | |
| Transmit Abort Source Register | TXABRTSRC | | I2C_TX_ABRTSRC | | I2C_TX_ABRTSRC | 0xF2C0 | |
| Component Parameter 1 Register | COMPARM1 | | I2C_COMPARM1 | | I2C_COMPARM1 | 0xF2FA | |
| Component Parameter 2 Register | COMPARM2 | | I2C_COMPARM2 | | I2C_COMPARM2 | 0xF2FB | |
| Component Version 1 Register | COMVER1 | | I2C_COMVER1 | | I2C_COMVER1 | 0xF2FC | |
| Component Version 2 Register | COMVER2 | | I2C_COMVER2 | | I2C_COMVER2 | 0xF2FD | |
| Component Type 1 Register | COMTYP1 | | I2C_COMTYP1 | | I2C_COMTYP1 | 0xF2FE | |
| Component Type 2 Register | COMTYP2 | | I2C_COMTYP2 | | I2C_COMTYP2 | 0xF2FF | |
| On-Clock Chip Synthesis (OCCS) Module | | | | | | | |
| Control Register | CTRL | PLLCR | OCCS_CTRL | PLLCR | PLLCR | 0xF130 | |
| Divide-By Register | DIVBY | PLLDDB | OCCS_DIVBY | PLLDDB | PLLDDB | 0xF131 | |
| Status Register | STAT | PLLSR | OCCS_STAT | PLLSR | PLLSR | 0xF132 | |
| Oscillator Control Register | OCTRL | OSCTL | OCCS_OCTRL | OSCTL | OSCTL | 0xF135 | |
| Clock Check Register | CLKCHK | | OCCS_CLCHK | PLLCLCHK | OCCS_CLCHK | 0xF136 | |
| Protection Register | PROT | | OCCS_PROT | PLLPROT | OCCS_PROT | 0xF137 | |
| Clock Divider Register | CLKDIV | FMCLKD | FM_CLKDIV | FMCLKD | FMCLKD | 0xF400 | |
| Configuration Register | CNFG | FMCR | FM_CNFG | FMCR | FMCR | 0xF401 | |
| Security High Half Register | SECHI | FMSECH | FM_SECHI | FMSECH | FMSECH | 0xF403 | |

Table 14-1 Legacy and Revised Acronyms (Continued)

| Register Name | Peripheral Reference Manual | | Data Sheet | | Processor Expert Acronym | Memory Address | |
|---|-----------------------------|----------------|--------------|----------------|--------------------------|------------------------------|-----|
| | New Acronym | Legacy Acronym | New Acronym | Legacy Acronym | | Start | End |
| Security Low Half Register | SECLO | FMSECL | FM_SECLO | FMSECL | FMSECL | 0xF404 | |
| Protection Register | PROT | FMPROT | FM_PROT | FMPROT | FMPROT | 0xF410 | |
| User Status Register | USTAT | FMUSTAT | FM_USTAT | FMUSTAT | FMUSTAT | 0xF413 | |
| Command Register | CMD | FMCMD | FM_CMD | FMCMD | FMCMD | 0xF414 | |
| Data Buffer Register | DATA | FMDATA | FM_DATA | FMDATA | FMDATA | 0xF418 | |
| Info Optional Data 1 Register | OPT1 | FMOPT1 | FM_OPT1 | FMOPT1 | FMOPT1 | 0xF41B | |
| Test Array Signature Register | TSTSIG | FMTST_SIG | FM_TSTSIG | FMTST_SIG | FMTST_SIG | 0xF41D | |
| General Purpose Input/Output (GPIO) Module | | | | | | | |
| | | | | | | $x=A(n=0)B(n=1)C(n=2)D(n=3)$ | |
| Pull-Up Enable Register | PUPEN | PUR | GPIOx_PUPEN | GPIOx_PUR | GPIO_x_PUR | 0xF1n0 | |
| Data Register | DATA | DR | GPIOx_DATA | GPIOx_DR | GPIO_x_DR | 0xF1n1 | |
| Data Direction Register | DDIR | DDR | GPIOx_DDIR | GPIOx_DDR | GPIO_x_DDR | 0xF1n2 | |
| Peripheral Enable Register | PEREN | PER | GPIOx_PEREN | GPIOx_PER | GPIO_x_PER | 0xF1n3 | |
| Interrupt Assert Register | IASSRT | IAR | GPIOx_IASSRT | GPIOx_IAR | GPIO_x_IAR | 0xF1n4 | |
| Interrupt Enable Register | IEN | IENR | GPIOx_IEN | GPIOx_IENR | GPIO_x_IENR | 0xF1n5 | |
| Interrupt Polarity Register | IPOL | IPOLR | GPIOx_IPOL | GPIOx_IPOLR | GPIO_x_IPOLR | 0xF1n6 | |
| Interrupt Pending Register | IPEND | IPR | GPIOx_IPEND | GPIOx_IPR | GPIO_x_IPR | 0xF1n7 | |
| Interrupt Edge-Sensitive Register | IEDGE | IESR | GPIOx_IEDGE | GPIOx_IESR | GPIO_x_IESR | 0xF1n8 | |
| Push-Pull Mode Registers | PPOUTM | PPMODE | GPIOx_PPOUTM | GPIOx_PPMODE | GPIO_x_PPMODE | 0xF1n9 | |
| Raw Data Input Register | RDATA | RAWDATA | GPIOx_RDATA | GPIOx_RAWDATA | GPIO_x_RAWDATA | 0xF1nA | |
| Output Drive Strength Register | DRIVE | DRIVE | GPIOx_DRIVE | GPIOx_DRIVE | GPIO_x_DRIVE | 0xF1nB | |

Table 14-1 Legacy and Revised Acronyms (Continued)

| Register Name | Peripheral Reference Manual | | Data Sheet | | Processor Expert Acronym | Memory Address | |
|--|-----------------------------|----------------|--------------|-----------------|--------------------------|----------------|--------|
| | New Acronym | Legacy Acronym | New Acronym | Legacy Acronym | | Start | End |
| Pulse Width Modulator (PWM) Module | | | | | | | |
| Control Register | CTRL | PMCTL | PWM_CTRL | PWM_PMCTL | PWM_PMCTL | 0xF0C0 | |
| Fault Control Register | FCTRL | PMFCTL | PWM_FCTRL | PWM_PMFCTL | PWM_PMFCTL | 0xF0C1 | |
| Fault Status/Acknowledge Regis. | FLTACK | PMFSA | PWM_FLTACK | PWM_PMFSA | PWM_PMFSA | 0xF0C2 | |
| Output Control Register | OUT | PMOUT | PWM_OUT | PWM_PMOUT | PWM_PMOUT | 0xF0C3 | |
| Counter Register | CNTR | PMCNT | PWM_CNTR | PWM_PMCNT | PWM_PMCNT | 0xF0C4 | |
| Counter Modulo Register | CMOD | MCM | PWM_CMOD | PWM_MCM | PWM_MCM | 0xF0C5 | |
| Value 0-5 Registers | VAL0-5 | PMVAL0-5 | PWM_VAL0-5 | PWM_PMVAL0-5 | PWM_PMVAL0-5 | 0xF0C6 | 0xF0CB |
| Deadtime 0-1 Registers | DTIM0-1 | PMDEADTM0-1 | PWM_DTIM0-1 | PWM_PMDEADTM0-1 | PWM_PMDEADTM0-1 | 0xF0CC | 0xF0CD |
| Disable Mapping 1-2 Registers | DMAP1-2 | PMDISMAP1-2 | PWM_DMAP1-2 | PWM_PMDISMAP1-2 | PWM_PMDISMAP1-2 | 0xF0CE | 0xF0CF |
| Configure Register | CNFG | PMCFG | PWM_CNFG | PWM_PMCFG | PWM_PMCFG | 0xF0D0 | |
| Channel Control Register | CCTRL | PMCCR | PWM_CCTRL | PWM_PMCCR | PWM_PMCCR | 0xF0D1 | |
| Port Register | PORT | PMPORT | PWM_PORT | PWM_PMPORT | PWM_PMPORT | 0xF0D2 | |
| Internal Correction Control Register | ICCTRL | PMICCR | PWM_ICCTRL | PWM_PMICCR | PWM_PMICCR | 0xF0D3 | |
| Source Control Register | SCTRL | PMSRC | PWM_SCTRL | PWM_PMSRC | PWM_PMSRC | 0xF0D4 | |
| Synchronization Window Register | SYNC | | PWM_SYNC | PWM_SYNC | PWM_SYNC | 0xF0D5 | |
| Fault Filter 0-3 Register | FFILT0-3 | | PWM_FFILT0-3 | PWM_FFILT0-3 | PWM_FFILT0-3 | 0xF0D6 | 0xF0D9 |
| Multi-Scalable Controller Area Network (MSCAN) Module | | | | | | | |
| Control 0 Register | CTRL0 | | CAN_CTRL0 | | CANCTRL0 | 0XF800 | |
| Control 1 Register | CTRL1 | | CAN_CTRL1 | | CANCTRL1 | 0XF801 | |
| Bus Timing 0 Register | BTR0 | | CAN_BTR0 | | CANBTR0 | 0XF802 | |
| Bus Timing 1 Register | BTR1 | | CAN_BTR1 | | CANBTR1 | 0XF803 | |
| Receive Flag Register | RFLG | | CAN_RFLG | | CANRFLG | 0XF804 | |
| Receiver Interrupt Enable Register | RIER | | CAN_RIER | | CANRIER | 0XF805 | |
| Transmitter Flag Register | TFLG | | CAN_TFLG | | CANTFLG | 0XF806 | |
| Transmitter Interrupt Enable Register. | TIER | | CAN_TIER | | CANTIER | 0XF807 | |
| Transmitter Msg Abort Request Register | TARQ | | CAN_TARQ | | CANTARQ | 0XF808 | |

Table 14-1 Legacy and Revised Acronyms (Continued)

| Register Name | Peripheral Reference Manual | | Data Sheet | | Processor Expert Acronym | Memory Address | |
|---|-----------------------------|----------------|-------------|----------------|--------------------------|----------------|--------|
| | New Acronym | Legacy Acronym | New Acronym | Legacy Acronym | | Start | End |
| Transmitter Message Abort Acknowledge Register | TAAK | | CAN_TAAK | | CANTAAK | 0XF809 | |
| Transmitter FIFO Selection Register | TBSEL | | CAN_TBSEL | | CANTBSEL | 0XF80A | |
| Identifier Acceptance Control Register | IDAC | | CAN_IDAC | | CANIDAC | 0XF80B | |
| Miscellaneous Register | MISC | | CAN_MISC | | CANMISC | 0XF80D | |
| Receive Error Register | RXERR | | CAN_RXERR | | CANRXERR | 0XF80E | |
| Transmit Error Register | TXERR | | CAN_TXERR | | CANTXERR | 0XF80F | |
| Identifier Acceptance 0-3 Registers | IDAR0-3 | | CAN_IDAR0-3 | | CANIDAR0-3 | 0xF810 | 0xF813 |
| Identifier Mask 0-3 Registers | IDMR0-3 | | CAN_IDMR0-3 | | CANIDMR0-3 | 0xF814 | 0xF817 |
| Identifier Acceptance 4-7 Register | IDAR4-7 | | CAN_IDAR4-7 | | CANIDAR4-7 | 0xF818 | 0xF81B |
| Identifier Mask 4-7 Registers | IDMR4-7 | | CAN_IDMR4-7 | | CANIDMR4-7 | 0xF81C | 0xF81F |
| Foreground Receive FIFO Register | RXFG | | CAN_RXFG | | CANRXFG | 0xF82F | 0xF820 |
| Foreground Transmit FIFO Register | TXFG | | CAN_TXFG | | CANTXFG | 0xF830 | 0xF83F |
| Power Supervisor (PS) Module | | | | | | | |
| Control Register | CTRL | LVICONTROL | PS_CTRL | LVICONTROL | LVICTRL | 0xF140 | |
| Status Register | STAT | LVISTATUS | PS_STAT | LVISTATUS | LVISR | 0xF141 | |
| Queued Serial Communications Interface (QSCI) Module | | | | | | | |
| | | | | | $n=0, 1$ | | |
| Baud Rate Register | RATE | | QSCI_RATE | | QSCI_SCIBR | 0xF2 n 0 | |
| Control 1 Register | CTRL1 | | QSCI_CTRL1 | | QSCI_SCICR | 0xF2 n 1 | |
| Control 2 Register | CTRL2 | | QSCI_CTRL2 | | QSCI_SCICR2 | 0xF2 n 2 | |
| Status Register | STAT | | QSCI_STAT | | QSCI_SCISR | 0xF2 n 3 | |
| Data Register | DATA | | QSCI_DATA | | QSCI_SCIDR | 0xF2 n 4 | |
| Queued Serial Peripheral Interface (QSPI) Module | | | | | | | |
| Status and Control Register | SCTRL | | QSPI_SCTRL | | QSPI_SPSCR | 0xF2 n 0 | |
| Data Size and Control Register | DSCTRL | | QSPI_DSCTRL | | QSPI_SPDSR | 0xF2 n 1 | |
| Data Receive Register | DRCV | | QSPI_DRCV | | QSPI_SPDRR | 0xF2 n 2 | |
| Data Transmit Register | DXMIT | | QSPI_DXMIT | | QSPI_SPDTR | 0xF2 n 3 | |



How to Reach Us:

Home Page:

www.freescale.com

E-mail:

support@freescale.com

USA/Europe or Locations Not Listed:

Freescale Semiconductor
Technical Information Center, CH370
1300 N. Alma School Road
Chandler, Arizona 85224
+1-800-521-6274 or +1-480-768-2130
support@freescale.com

Europe, Middle East, and Africa:

Freescale Halbleiter Deutschland GmbH
Technical Information Center
Schatzbogen 7
81829 Muenchen, Germany
+44 1296 380 456 (English)
+46 8 52200080 (English)
+49 89 92103 559 (German)
+33 1 69 35 48 48 (French)
support@freescale.com

Japan:

Freescale Semiconductor Japan Ltd.
Headquarters
ARCO Tower 15F
1-8-1, Shimo-Meguro, Meguro-ku,
Tokyo 153-0064, Japan
0120 191014 or +81 3 5437 9125
support.japan@freescale.com

Asia/Pacific:

Freescale Semiconductor China Ltd.
Exchange Building 23F
No. 118 Jianguo Road
Chaoyang District
Beijing 100022
China
+86 10 5879 8000
support.asia@freescale.com

For Literature Requests Only:

Freescale Semiconductor Literature Distribution Center
1-800-441-2447 or 303-675-2140
Fax: 303-675-2150
LDCForFreescaleSemiconductor@hibbertgroup.com

RoHS-compliant and/or Pb-free versions of Freescale products have the functionality and electrical characteristics of their non-RoHS-compliant and/or non-Pb-free counterparts. For further information, see <http://www.freescale.com> or contact your Freescale sales representative.

For information on Freescale's Environmental Products program, go to <http://www.freescale.com/epp>.

Information in this document is provided solely to enable system and software implementers to use Freescale Semiconductor products. There are no express or implied copyright licenses granted hereunder to design or fabricate any integrated circuits or integrated circuits based on the information in this document.

Freescale Semiconductor reserves the right to make changes without further notice to any products herein. Freescale Semiconductor makes no warranty, representation or guarantee regarding the suitability of its products for any particular purpose, nor does Freescale Semiconductor assume any liability arising out of the application or use of any product or circuit, and specifically disclaims any and all liability, including without limitation consequential or incidental damages. "Typical" parameters that may be provided in Freescale Semiconductor data sheets and/or specifications can and do vary in different applications and actual performance may vary over time. All operating parameters, including "Typicals", must be validated for each customer application by customer's technical experts. Freescale Semiconductor does not convey any license under its patent rights nor the rights of others. Freescale Semiconductor products are not designed, intended, or authorized for use as components in systems intended for surgical implant into the body, or other applications intended to support or sustain life, or for any other application in which the failure of the Freescale Semiconductor product could create a situation where personal injury or death may occur. Should Buyer purchase or use Freescale Semiconductor products for any such unintended or unauthorized application, Buyer shall indemnify and hold Freescale Semiconductor and its officers, employees, subsidiaries, affiliates, and distributors harmless against all claims, costs, damages, and expenses, and reasonable attorney fees arising out of, directly or indirectly, any claim of personal injury or death associated with such unintended or unauthorized use, even if such claim alleges that Freescale Semiconductor was negligent regarding the design or manufacture of the part.



Freescale™ and the Freescale logo are trademarks of Freescale Semiconductor, Inc. All other product or service names are the property of their respective owners. This product incorporates SuperFlash® technology licensed from SST.

© Freescale Semiconductor, Inc. 2008–2012. All rights reserved.

MC56F8037
Rev. 8
04/2012

Looking for pricing, stock, or lifecycle information?

Click below to explore more details on WIN SOURCE:

- ⊖ [View MC56F8027VLHR on WIN SOURCE](#)
- ⊖ [Freescale Semiconductor - NXP Information](#)

Optimize Your Supply Chain with WIN SOURCE Solutions

- ✓ Global Sourcing Solution
- ✓ Obsolete Management
- ✓ Cost Control Management
- ✓ Shortage Management
- ✓ Alternative Solution
- ✓ Excess Inventory Management