



**THE DATASHEET OF
MIC2212-GMYML-TR**



General Description

The MIC2212 is a dual μ Cap low dropout regulator with power-on reset circuit. The first regulator is capable of sourcing 150mA, while the second regulator can source up to 300mA and includes a power-on reset function.

Ideal for battery operated applications, the MIC2212 offers 1% accuracy, extremely low dropout voltage (80mV @ 100mA), and extremely low ground current, only 48 μ A total. Equipped with TTL-logic-compatible enable pins, the MIC2212 can be put into a zero-off-mode current state, drawing no current when disabled.

The MIC2212 is a μ Cap design, operating with very small ceramic output capacitors for stability, reducing required board space and component cost.

The MIC2212 is available in fixed output voltages in the 10-pin 3mm \times 3mm MLF™ leadless package.

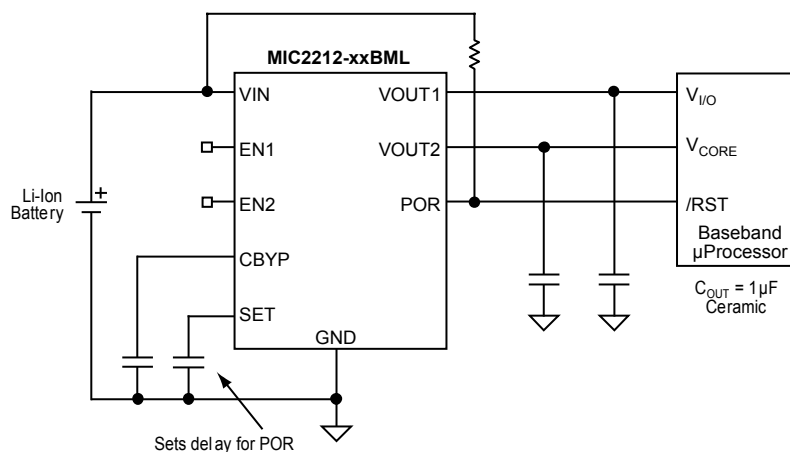
Features

- Input voltage range: 2.25V to 5.5V
- Stable with ceramic output capacitor
- 2 LDO outputs
 - Output 1 – 150mA output current
 - Output 2 – 300mA output current
- Power-on reset function with adjustable delay time
- Low dropout voltage of 80mV @ 100mA
- **Ultra-low quiescent current of 48 μ A**
- High output accuracy:
 - +1.0% initial accuracy
 - +2.0% over temperature
- Thermal shutdown protection
- Current limit protection
- **Tiny 10-pin 3mm \times 3mm MLF™ package**

Applications

- Cellular/PCS phones
- Wireless modems
- PDAs

Typical Application



MIC2212 Typical Cell Phone Application

Ordering Information

| Part Number | | | Voltage* (Vo1/Vo2) | Junction Temp. Range | Package |
|----------------------|---------------|---------------|-----------------------|-------------------------|-----------------|
| Full | Manufacturing | Pb-Free | | | |
| MIC2212-1.6/2.8BML | MIC2212-WMBML | MIC2212-WMYML | 1.6V/2.8V | -40°C to +125°C | 10-Pin 3x3 MLF™ |
| MIC2212-1.6/3.3BML | MIC2212-WSBML | MIC2212-WSYML | 1.6V/3.3V | -40°C to +125°C | 10-Pin 3x3 MLF™ |
| MIC2212-1.8/2.6BML | MIC2212-GKBML | MIC2212-GKYML | 1.8V/2.6V | -40°C to +125°C | 10-Pin 3x3 MLF™ |
| MIC2212-1.8/2.7BML | MIC2212-GLBML | MIC2212-GLYML | 1.8V/2.7V | -40°C to +125°C | 10-Pin 3x3 MLF™ |
| MIC2212-1.8/2.8BML | MIC2212-GMBML | MIC2212-GMYML | 1.8V/2.8V | -40°C to +125°C | 10-Pin 3x3 MLF™ |
| MIC2212-1.8/3.3BML | MIC2212-GSBML | MIC2212-GSYML | 1.8V/3.3V | -40°C to +125°C | 10-Pin 3x3 MLF™ |
| MIC2212-1.85/2.85BML | MIC2212-DNBML | MIC2212-DNYML | 1.85V/2.85V | -40°C to +125°C | 10-Pin 3x3 MLF™ |
| MIC2212-1.85/2.9BML | MIC2212-DOBML | MIC2212-DOYML | 1.85V/2.9V | -40°C to +125°C | 10-Pin 3x3 MLF™ |
| MIC2212-2.5/3.3BML | MIC2212-JSBML | MIC2212-JSYML | 2.5V/3.3V | -40°C to +125°C | 10-Pin 3x3 MLF™ |
| MIC2212-2.6/2.8BML | MIC2212-KMBML | MIC2212-KMYML | 2.6V/2.8V | -40°C to +125°C | 10-Pin 3x3 MLF™ |
| MIC2212-2.6/2.85BML | MIC2212-KNBML | MIC2212-KNYML | 2.6V/2.85V | -40°C to +125°C | 10-Pin 3x3 MLF™ |
| MIC2212-2.7/2.8BML | MIC2212-LMBML | MIC2212-LMYML | 2.7V/2.8V | -40°C to +125°C | 10-Pin 3x3 MLF™ |
| MIC2212-2.7/2.9BML | MIC2212-LOBML | MIC2212-LOYML | 2.7V/2.9V | -40°C to +125°C | 10-Pin 3x3 MLF™ |
| MIC2212-2.7/3.0BML | MIC2212-LPBML | MIC2212-LPYML | 2.7V/3.0V | -40°C to +125°C | 10-Pin 3x3 MLF™ |
| MIC2212-2.8/2.6BML | MIC2212-MKBML | MIC2212-MKYML | 2.8V/2.6V | -40°C to +125°C | 10-Pin 3x3 MLF™ |
| MIC2212-2.8/2.8BML | MIC2212-MMBML | MIC2212-MMYML | 2.8V/2.8V | -40°C to +125°C | 10-Pin 3x3 MLF™ |
| MIC2212-2.8/3.0BML | MIC2212-MPBML | MIC2212-MPYML | 2.8V/3.0V | -40°C to +125°C | 10-Pin 3x3 MLF™ |
| MIC2212-2.85/2.85BML | MIC2212-NNBML | MIC2212-NNYML | 2.85V/2.85V | -40°C to +125°C | 10-Pin 3x3 MLF™ |
| MIC2212-3.0/2.8BML | MIC2212-PMBML | MIC2212-PMYML | 3.0V/2.8V | -40°C to +125°C | 10-Pin 3x3 MLF™ |
| MIC2212-3.0/2.85BML | MIC2212-PNBML | MIC2212-PNYML | 3.0V/2.85V | -40°C to +125°C | 10-Pin 3x3 MLF™ |
| MIC2212-3.0/3.0BML | MIC2212-PPBML | MIC2212-PPYML | 3.0V/3.0V | -40°C to +125°C | 10-Pin 3x3 MLF™ |
| MIC2212-3.0/3.3BML | MIC2212-PSBML | MIC2212-PSYML | 3.0V/3.3V | -40°C to +125°C | 10-Pin 3x3 MLF™ |
| MIC2212-3.3/1.8BML | MIC2212-SGBML | MIC2212-SGYML | 3.3V/1.8V | -40°C to +125°C | 10-Pin 3x3 MLF™ |
| MIC2212-3.3/2.5BML | MIC2212-SJBML | MIC2212-SJYML | 3.3V/2.5V | -40°C to +125°C | 10-Pin 3x3 MLF™ |
| MIC2212-3.3/2.8BML | MIC2212-SMBML | MIC2212-SMYML | 3.3V/2.8V | -40°C to +125°C | 10-Pin 3x3 MLF™ |
| MIC2212-3.3/3.6BML | MIC2212-SVBML | MIC2212-SVYML | 3.3V/3.6V | -40°C to +125°C | 10-Pin 3x3 MLF™ |

* For other output voltage options, contact Micrel marketing.

| Voltage | Code |
|---------|------|
| Adj. | A |
| 1.5 | F |
| 1.6 | W |
| 1.8 | G |
| 1.850 | D |
| 1.9 | Y |
| 2.0 | H |
| 2.1 | E |
| 2.5 | J |
| 2.6 | K |
| 2.7 | L |

| Voltage | Code |
|---------|------|
| 2.8 | M |
| 2.850 | N |
| 2.9 | O |
| 3.0 | P |
| 3.1 | Q |
| 3.2 | R |
| 3.3 | S |
| 3.4 | T |
| 3.5 | U |
| 3.6 | V |

Table 1. Voltage Codes

Pin Configuration



**10-Pin 3mm × 3mm MLF™ (ML)
(Top View)**

Pin Description

| Pin Number MLF-10 (3x3) | Pin Name | Pin Function |
|----------------------------|----------|--|
| 1 | VIN | Supply Input: (VIN1 and VIN2 are internally tied together.) |
| 2 | EN1 | Enable Input to Regulator 1: Enables regulator 1 output. Active high input. High = on, low = off. Do not leave floating. |
| 3 | EN2 | Enable Input to Regulator 2: Enables regulator 2 output. Active high input. High = on, low = off. Do not leave floating. |
| 4 | CBYP | Reference Bypass: Connect external 0.01μF to GND to reduce output noise. May be left open. |
| 5 | SET | Delay Set Input: Connect external capacitor to GND to set the internal delay for the POR output. When left open, there is no delay. This pin cannot be grounded. |
| 6 | GND | Ground: Connect externally to Exposed Pad. |
| 7 | NC | No Connection. |
| 8 | POR | Power-On Reset Output: Open-drain output. Active low indicates an output undervoltage condition on regulator 2. |
| 9 | VOUT2 | Output of Regulator 2: 300mA output current. |
| 10 | VOUT1 | Output of Regulator 1: 150mA output current. |
| EP | GND | Ground: Internally connected to the Exposed Pad. Connect externally to pin 6 of the IC. |

Absolute Maximum Rating⁽¹⁾

| | |
|--------------------------------------|-----------------------------------|
| Supply Input Voltage (V_{IN}) | 0V to 7V |
| Enable Input Voltage (V_{EN}) | 0V to 7V |
| Power Dissipation (P_D) | Internally Limited, Note 3 |
| Junction Temperature | -40°C to +125°C |
| Storage Temperature (T_S) | -65°C to 150°C |
| Lead Temperature (soldering, 5 sec.) | 260°C |

Operating Ratings⁽²⁾

| | |
|-----------------------------------|-----------------|
| Supply Input Voltage (V_{IN}) | 2.25V to 5.5V |
| Enable Input Voltage (V_{EN}) | 0V to V_{IN} |
| Junction Temperature (T_J) | -40°C to +125°C |
| Package Thermal Resistance | |
| MLF™-10 (θ_{JA}) | 60°C/W |

Electrical Characteristics⁽⁴⁾

$V_{IN} = V_{OUT} + 1.0V$ for higher output of the regulator pair; $C_{OUT} = 1.0\mu F$, $I_{OUT} = 100\mu A$; $T_J = 25^\circ C$, **bold** values indicate $-40^\circ C \leq T_J \leq +125^\circ C$; unless noted.

| Parameter | Conditions | Min | Typ | Max | Units |
|----------------------------------|--|-------------|------|-------------|---------------|
| Output Voltage Accuracy | Variation from nominal V_{OUT} | -1.0 | | +1.0 | % |
| | | -2.0 | | +2.0 | % |
| Output Voltage Temp. Coefficient | | | 40 | | ppm/C |
| Line Regulation ⁽⁵⁾ | $V_{IN} = V_{OUT} + 1V$ to 5.5V | -0.3 | 0.02 | 0.3 | %/V |
| Load Regulation | $I_{OUT} = 100\mu A$ to 150mA (Regulator 1 and 2) | | 0.2 | 1.0 | % |
| | $I_{OUT} = 100\mu A$ to 300mA (Regulator 2) | | | 1.5 | % |
| Dropout Voltage ⁽⁶⁾ | $I_{OUT} = 150mA$ (Regulator 1 and 2) | | 120 | 190 | mV |
| | $I_{OUT} = 300mA$ (Regulator 2) | | 240 | 340 | mV |
| Ground Pin Current | $I_{OUT1} = I_{OUT2} = 0\mu A$ | | 48 | 65 | μA |
| | $I_{OUT1} = 150mA$ and $I_{OUT2} = 300mA$ | | 60 | 80 | μA |
| Ground Pin Current in Shutdown | $V_{EN} \leq 0.4V$ | | | 2.0 | μA |
| Ripple Rejection | $f = 1kHz$; $C_{OUT} = 1.0\mu F$ ceramic; $C_{BYP} = 10nF$ | | 60 | | dB |
| | $f = 20kHz$; $C_{OUT} = 1.0\mu F$ ceramic; $C_{BYP} = 10nF$ | | 40 | | dB |
| Current Limit | $V_{OUT} = 0V$ (Regulator 1) | 150 | 280 | 460 | mA |
| | $V_{OUT} = 0V$ (Regulator 2) | 300 | 450 | 700 | mA |
| Output Voltage Noise | $C_{OUT} = 1\mu F$, $C_{BYP} = 0.01\mu F$, 10Hz to 100kHz | | 30 | | μV_{rms} |

Enable Input

| | | | | | |
|----------------------|--------------------------------------|------------|------|------------|---------|
| Enable Input Voltage | Logic Low (Regulator Shutdown) | | | 0.6 | V |
| | Logic High (Regulator Enabled) | 1.8 | | | V |
| Enable Input Current | $V_{IL} < 0.6V$ (Regulator Shutdown) | -1 | 0.01 | +1 | μA |
| | $V_{IH} > 1.8V$ (Regulator Enabled) | -1 | 0.01 | +1 | μA |

POR Output

| | | | | | |
|-----------|--|----|------|-----|---------|
| V_{TH} | Low Threshold, % of nominal V_{OUT2} (Flag ON) | 90 | | | % |
| | High Threshold, % of nominal V_{OUT2} (Flag OFF) | | | 96 | % |
| V_{OL} | POR Output Logic Low Voltage; $I_L = 250\mu A$ | | 0.02 | 0.1 | V |
| I_{POR} | Flag Leakage Current, Flag OFF | -1 | 0.01 | +1 | μA |

| Parameter | Conditions | Min | Typ | Max | Units |
|---------------------------|-----------------|------|------|------|---------|
| SET Input | | | | | |
| SET Pin Current Source | $V_{SET} = 0V$ | 0.75 | 1.25 | 1.75 | μA |
| SET Pin Threshold Voltage | $P_{OR} = High$ | | 1.25 | | V |

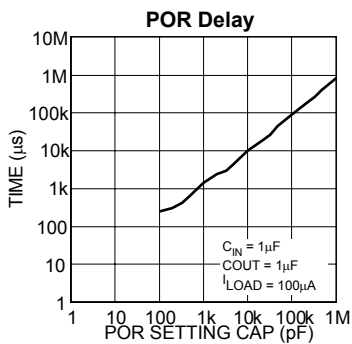
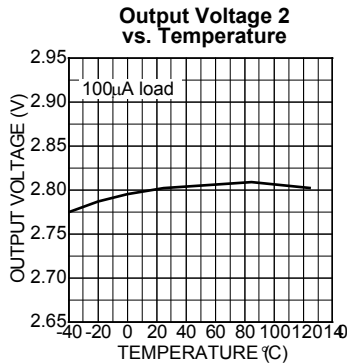
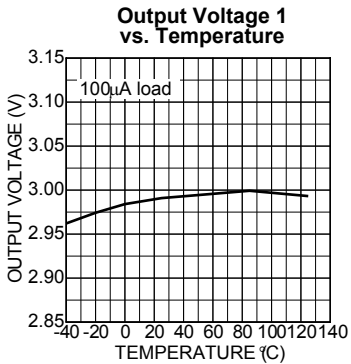
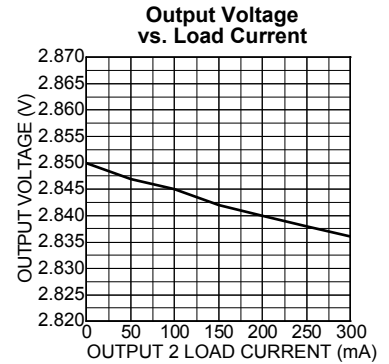
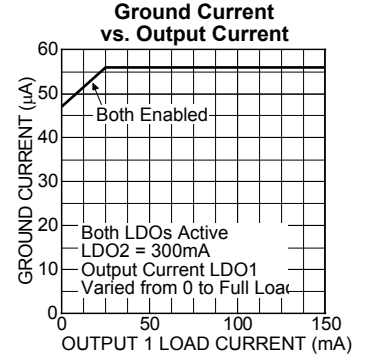
Notes

1. Exceeding maximum rating may damage the device.
2. The device is not guaranteed to work outside its operating rating.
3. The maximum allowable power dissipation of any T_A (ambient temperature) is $(P_D(max) = T_J(max) - T_A) / \theta_{JA}$. Exceeding the maximum allowable power dissipation will result in excessive die temperature, and the regulator will go into thermal shutdown.
4. Specification for packaged product only.
5. Minimum input for line regulation test is set to $V_{OUT} + 1V$ relative to the highest output voltage.
6. Dropout voltage is defined as the input-to-output differential at which the output voltage drops 2% below its nominal value measured at 1V differential. For outputs below 2.25V, dropout voltage is the input-to-output voltage differential with the minimum input voltage 2.25V. Minimum input operating voltage is 2.25V.

Typical Characteristics



Typical Characteristics (cont.)



Functional Characteristics

Enable Characteristics



Power-On Reset Characteristics



Load Transient Response (LDO 1)



Load Transient Response (LDO 2)



Functional Diagram



MIC2212 Fixed Voltage Block Diagram

Functional Description

The MIC2212 is a high performance, low quiescent current power management IC consisting of two μ Cap low dropout regulators, a power-on reset (POR) circuit and an open-drain driver. The first regulator is capable of sourcing 150mA at output voltages from 1.25V to 5V. The second regulator is capable of sourcing 300mA of current at output voltages from 1.25V to 5V. The second regulator has a POR circuit that monitors its output voltage and indicates when the output voltage is within 5% of nominal. The POR offers a delay time that is externally programmable with a single capacitor to ground.

Enable 1 and 2

The enable inputs allow for logic control of both output voltages with individual enable inputs. The enable input is active high, requiring 1.8V for guaranteed operation. The enable input is CMOS logic and cannot be left floating.

Power-On Reset (POR)

The power-on reset output is an open-drain N-Channel device, requiring a pull-up resistor to either the input voltage or output voltage for proper voltage levels. The POR output has a delay time that is programmable with a capacitor from the SET pin to ground. The delay time can be programmed to be as long as 1 second.

The SET pin is a current source output that charges a capacitor that sets the delay time for the power-on reset output. The current source is a 1 μ A current source that charges a capacitor up from 0V. When the capacitor reaches 1.25V, the output of the POR is allowed to go high.

Input Capacitor

Good bypassing is recommended from input to ground to help improve AC performance. A 1 μ F capacitor or greater located close to the IC is recommended.

Bypass Capacitor

The internal reference voltage of the MIC2212 can be bypassed with a capacitor to ground to reduce output noise and increase power supply rejection (PSRR). A quick-start feature allows for quick turn-on of the output voltage regardless of the size of the capacitor. The recommended nominal bypass capacitor is 0.01 μ F, but it can be increased without limit.

Output Capacitor

Each regulator output requires a 1 μ F ceramic output capacitor for stability. The output capacitor value can be increased to improve transient response, but performance has been optimized for a 1 μ F ceramic type output capacitor.

X7R/X5R dielectric-type ceramic capacitors are recommended because of their temperature performance. X7R-type capacitors change capacitance by 15% over their operating temperature range and are the most stable type of ceramic capacitors. Z5U and Y5V dielectric capacitors change value by as much as 50% and 60% respectively over their operating temperature ranges. To use a ceramic chip capacitor with Y5V dielectric, the value must be much higher than a X7R ceramic capacitor to ensure the same minimum capacitance over the equivalent operating temperature range.

Looking for pricing, stock, or lifecycle information?

Click below to explore more details on WIN SOURCE:

- ⊖ [View MIC2212-GMYML-TR on WIN SOURCE](#)
- ⊖ [Microchip Technology](#) Information

Optimize Your Supply Chain with WIN SOURCE Solutions

- ✓ Global Sourcing Solution
- ✓ Obsolete Management
- ✓ Cost Control Management
- ✓ Shortage Management
- ✓ Alternative Solution
- ✓ Excess Inventory Management