



**THE DATASHEET OF  
MRF5S9101NBR1**



Replaced by MRF5S9101NR1/NBR1. There are no form, fit or function changes with this part replacement. N suffix added to part number to indicate transition to lead-free terminations.

## RF Power Field Effect Transistors

### N-Channel Enhancement-Mode Lateral MOSFETs

Designed for GSM and GSM EDGE base station applications with frequencies from 869 to 960 MHz. Suitable for multicarrier amplifier applications.

#### GSM Application

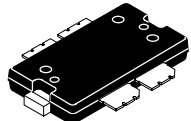
- Typical GSM Performance:  $V_{DD} = 26$  Volts,  $I_{DQ} = 700$  mA,  $P_{out} = 100$  Watts CW, Full Frequency Band (869-894 MHz and 921-960 MHz)  
 Power Gain - 17.5 dB  
 Drain Efficiency - 60%

#### GSM EDGE Application

- Typical GSM EDGE Performance:  $V_{DD} = 28$  Volts,  $I_{DQ} = 650$  mA,  $P_{out} = 50$  Watts Avg., Full Frequency Band (869-894 MHz and 921-960 MHz)  
 Power Gain — 18 dB  
 Spectral Regrowth @ 400 kHz Offset = -63 dBc  
 Spectral Regrowth @ 600 kHz Offset = -78 dBc  
 EVM — 2.3% rms
- Capable of Handling 10:1 VSWR, @ 26 Vdc, @ 100 W CW Output Power, @  $f = 960$  MHz
- Characterized with Series Equivalent Large-Signal Impedance Parameters
- Internally Matched for Ease of Use
- Qualified Up to a Maximum of 32  $V_{DD}$  Operation
- Integrated ESD Protection
- 200°C Capable Plastic Package
- In Tape and Reel. R1 Suffix = 500 Units per 44 mm, 13 inch Reel.

**MRF5S9101MR1**  
**MRF5S9101MBR1**

**869-960 MHz, 100 W, 26 V**  
**GSM/GSM EDGE**  
**LATERAL N-CHANNEL**  
**RF POWER MOSFETs**



**CASE 1486-03, STYLE 1**  
**TO-270 WB-4**  
**PLASTIC**  
**MRF5S9101MR1**



**CASE 1484-04, STYLE 1**  
**TO-272 WB-4**  
**PLASTIC**  
**MRF5S9101MBR1**

ARCHIVE INFORMATION

ARCHIVE INFORMATION

**Table 1. Maximum Ratings**

Rating	Symbol	Value	Unit
Drain-Source Voltage	$V_{DSS}$	- 0.5, +68	Vdc
Gate-Source Voltage	$V_{GS}$	- 0.5, +15	Vdc
Total Device Dissipation @ $T_C = 25^\circ\text{C}$ Derate above 25°C	$P_D$	427 2.44	W W/°C
Storage Temperature Range	$T_{stg}$	- 65 to +150	°C
Operating Junction Temperature	$T_J$	200	°C

**Table 2. Thermal Characteristics**

Characteristic	Symbol	Value (1,2)	Unit
Thermal Resistance, Junction to Case Case Temperature 80°C, 100 W CW Case Temperature 80°C, 50 W CW	$R_{\theta JC}$	0.41 0.47	°C/W

1. MTTF calculator available at <http://www.freescale.com/rtf>. Select Tools/Software/Application Software/Calculators to access the MTTF calculators by product.
2. Refer to AN1955, *Thermal Measurement Methodology of RF Power Amplifiers*. Go to <http://www.freescale.com/rtf>. Select Documentation/Application Notes - AN1955.

**NOTE - CAUTION** - MOS devices are susceptible to damage from electrostatic charge. Reasonable precautions in handling and packaging MOS devices should be observed.

**Table 3. ESD Protection Characteristics**

Test Methodology	Class
Human Body Model (per JESD22-A114)	1C (Minimum)
Machine Model (per EIA/JESD22-A115)	A (Minimum)
Charge Device Model (per JESD22-C101)	IV (Minimum)

**Table 4. Moisture Sensitivity Level**

Test Methodology	Rating	Package Peak Temperature	Unit
Per JESD 22-A113, IPC/JEDEC J-STD-020	3	260	°C

**Table 5. Electrical Characteristics** ( $T_C = 25^\circ\text{C}$  unless otherwise noted)

Characteristic	Symbol	Min	Typ	Max	Unit
Zero Gate Voltage Drain Leakage Current ( $V_{DS} = 68\text{ Vdc}$ , $V_{GS} = 0\text{ Vdc}$ )	$I_{DSS}$	—	—	10	$\mu\text{Adc}$
Zero Gate Voltage Drain Leakage Current ( $V_{DS} = 26\text{ Vdc}$ , $V_{GS} = 0\text{ Vdc}$ )	$I_{DSS}$	—	—	1	$\mu\text{Adc}$
Gate-Source Leakage Current ( $V_{GS} = 5\text{ Vdc}$ , $V_{DS} = 0\text{ Vdc}$ )	$I_{GSS}$	—	—	1	$\mu\text{Adc}$

**On Characteristics**

Gate Threshold Voltage ( $V_{DS} = 10\text{ Vdc}$ , $I_D = 400\ \mu\text{Adc}$ )	$V_{GS(th)}$	2	2.8	3.5	Vdc
Gate Quiescent Voltage ( $V_{DS} = 26\text{ Vdc}$ , $I_D = 700\ \text{mAdc}$ )	$V_{GS(Q)}$	—	3.7	—	Vdc
Drain-Source On-Voltage ( $V_{GS} = 10\text{ Vdc}$ , $I_D = 2\text{ Adc}$ )	$V_{DS(on)}$	—	0.21	0.3	Vdc
Forward Transconductance ( $V_{DS} = 10\text{ Vdc}$ , $I_D = 6\text{ Adc}$ )	$g_{fs}$	—	7	—	S

**Dynamic Characteristics** <sup>(1)</sup>

Output Capacitance ( $V_{DS} = 26\text{ Vdc} \pm 30\text{ mV(rms)ac}$ @ 1 MHz, $V_{GS} = 0\text{ Vdc}$ )	$C_{oss}$	—	70	—	pF
Reverse Transfer Capacitance ( $V_{DS} = 26\text{ Vdc} \pm 30\text{ mV(rms)ac}$ @ 1 MHz, $V_{GS} = 0\text{ Vdc}$ )	$C_{rss}$	—	2.2	—	pF

**Functional Tests** (In Freescale Test Fixture, 50 ohm system)  $V_{DD} = 26\text{ Vdc}$ ,  $P_{out} = 100\text{ W}$ ,  $I_{DQ} = 700\text{ mA}$ ,  $f = 960\text{ MHz}$ 

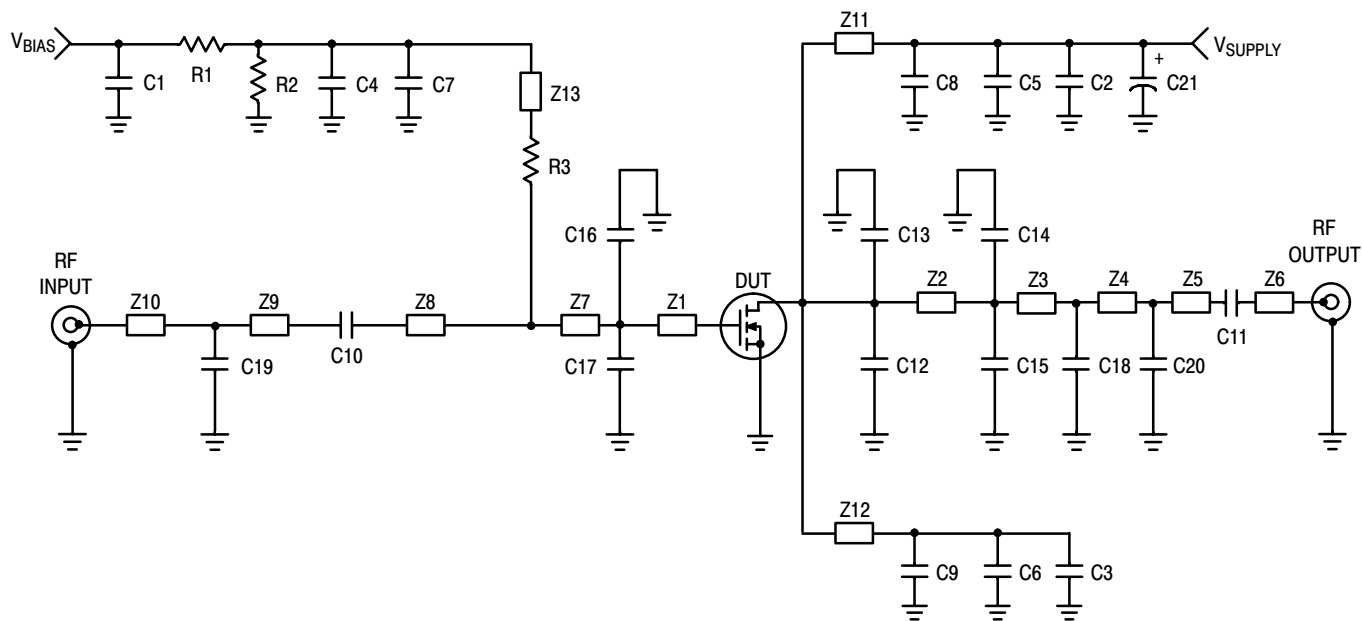
Power Gain	$G_{ps}$	16	17.5	19	dB
Drain Efficiency	$\eta_D$	56	60	—	%
Input Return Loss	IRL	—	-15	-9	dB
$P_{out}$ @ 1 dB Compression Point, CW	P1dB	100	110	—	W

1. Part is internally input matched.

(continued)

**Table 5. Electrical Characteristics** ( $T_C = 25^\circ\text{C}$  unless otherwise noted) **(continued)**

Characteristic	Symbol	Min	Typ	Max	Unit
<b>Typical GSM EDGE Performances</b> (In Freescale GSM EDGE Test Fixture, 50 ohm system) $V_{DD} = 28\text{ Vdc}$ , $P_{out} = 50\text{ W Avg.}$ , $I_{DQ} = 650\text{ mA}$ , 869 MHz<Frequency<894 MHz, 920 MHz<Frequency<960 MHz					
Power Gain	$G_{ps}$	—	18	—	dB
Drain Efficiency	$\eta_D$	—	42	—	%
Error Vector Magnitude	EVM	—	2.3	—	% rms
Spectral Regrowth at 400 kHz Offset	SR1	—	-63	—	dBc
Spectral Regrowth at 600 kHz Offset	SR2	—	-78	—	dBc



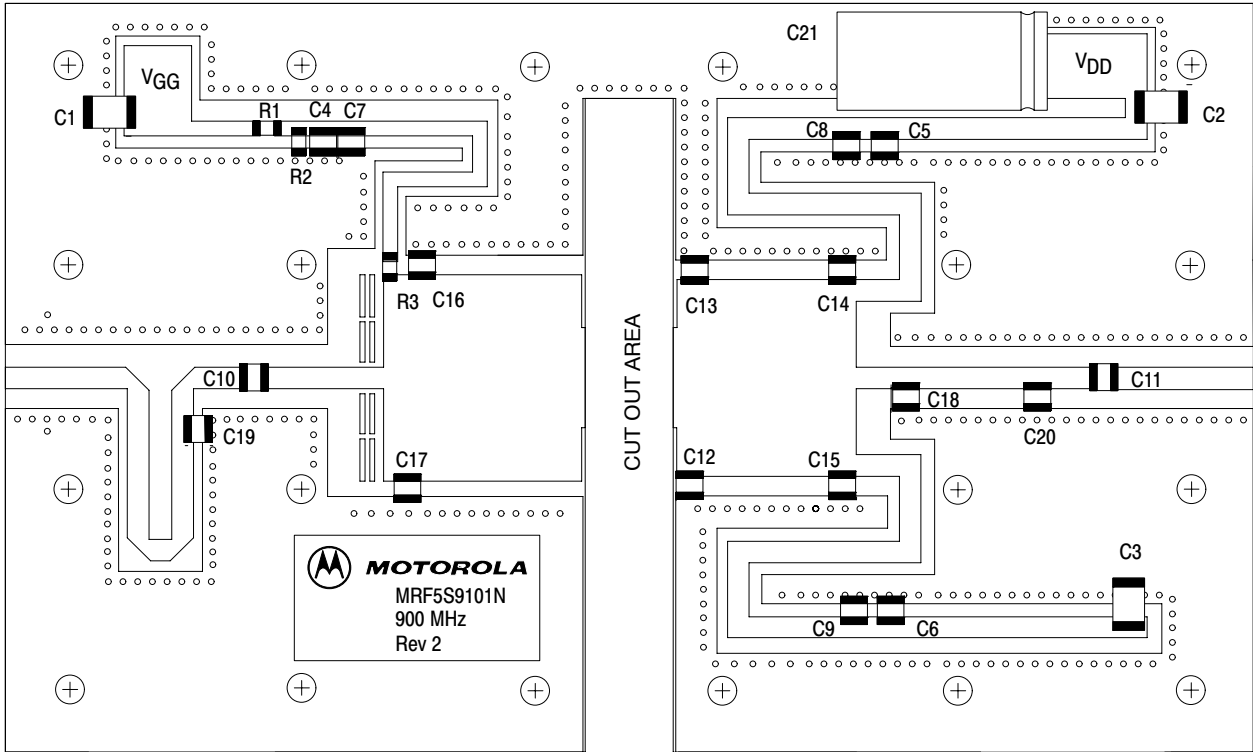
Z1	0.698" x 0.827" Microstrip	Z10	1.491" x 0.087" Microstrip
Z2	0.720" x 0.788" Microstrip	Z11, Z12*	1.6" x 0.089" Microstrip (quarter wave length for supply purpose)
Z3	0.195" x 0.087" Microstrip	Z13*	1.2" x 0.059" Microstrip (quarter wave length for bias purpose)
Z4	0.524" x 0.087" Microstrip	PCB	Taconic TLX8-0300, 0.030", $\epsilon_r = 2.55$
Z5	0.233" x 0.087" Microstrip		
Z6	0.560" x 0.087" Microstrip		
Z7	0.095" x 0.827" Microstrip		
Z8	0.472" x 0.087" Microstrip		
Z9	0.384" x 0.087" Microstrip		

\*Variable for tuning

Figure 1. MRF5S9101MR1 (MBR1) 900 MHz Test Circuit Schematic

Table 6. MRF5S9101MR1 (MBR1) 900 MHz Test Circuit Component Designations and Values

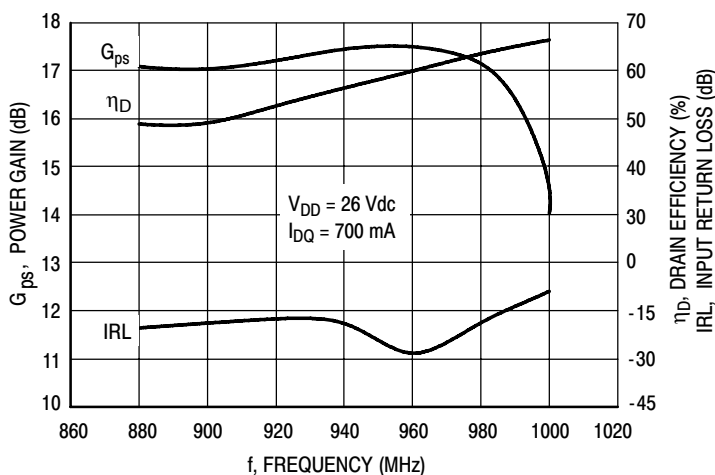
Part	Description	Part Number	Manufacturer
C1, C2, C3	4.7 $\mu$ F Chip Capacitors (2220)	GRM55ER7H475KA01	Murata
C4, C5, C6	10 nF 200B Chip Capacitors	200B103MW	ATC
C7, C8, C9	33 pF 100B Chip Capacitors	100B330JW	ATC
C10, C11	22 pF 100B Chip Capacitors	100B220GW	ATC
C12, C13	10 pF 100B Chip Capacitors	100B100GW	ATC
C14, C15, C16, C17	8.2 pF 100B Chip Capacitors	100B8R2CW	ATC
C18	5.6 pF 100B Chip Capacitor	100B5R6CW	ATC
C19	4.7 pF 100B Chip Capacitor	100B4R7BW	ATC
C20	3.9 pF 100B Chip Capacitor	100B3R9BW	ATC
C21	220 $\mu$ F, 50 V Electrolytic Capacitor, Axial	516D227M050NP7B	Sprague
R1, R2	10 k $\Omega$ , 1/4 W Chip Resistors (1206)		
R3	10 $\Omega$ , 1/4 W Chip Resistor (1206)		



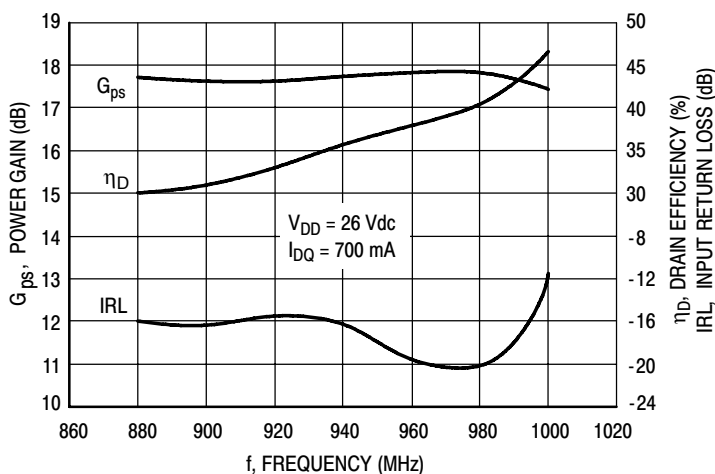
Freescale has begun the transition of marking Printed Circuit Boards (PCBs) with the Freescale Semiconductor signature/logo. PCBs may have either Motorola or Freescale markings during the transition period. These changes will have no impact on form, fit or function of the current product.

**Figure 2. MRF5S9101MR1 (MBR1) 900 MHz Test Circuit Component Layout**

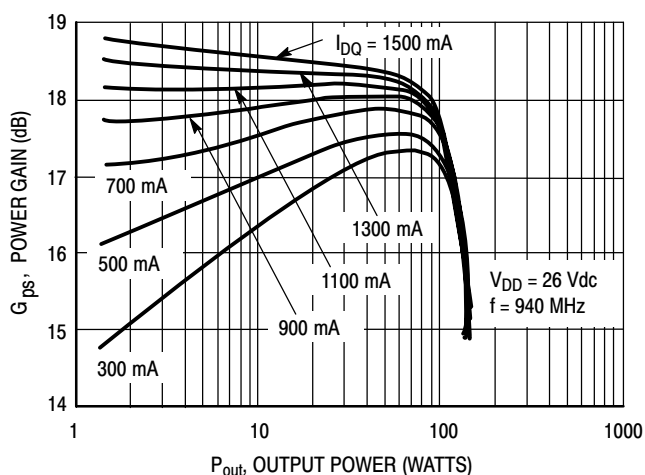
### TYPICAL CHARACTERISTICS - 900 MHz



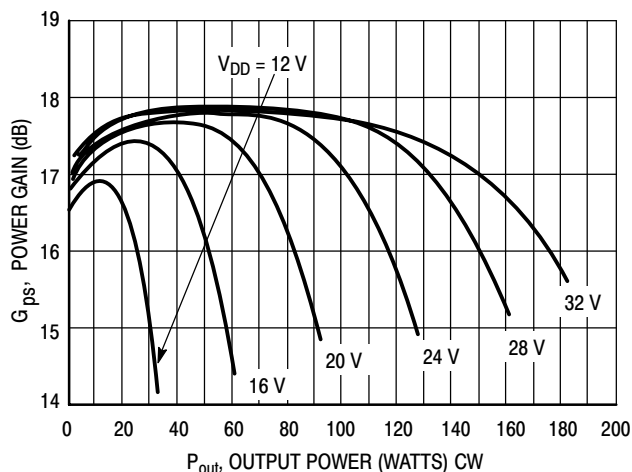
**Figure 3. Power Gain, Input Return Loss and Drain Efficiency versus Frequency @  $P_{out} = 100$  Watts CW**



**Figure 4. Power Gain, Input Return Loss and Drain Efficiency versus Frequency @  $P_{out} = 40$  Watts CW**



**Figure 5. Power Gain versus Output Power**

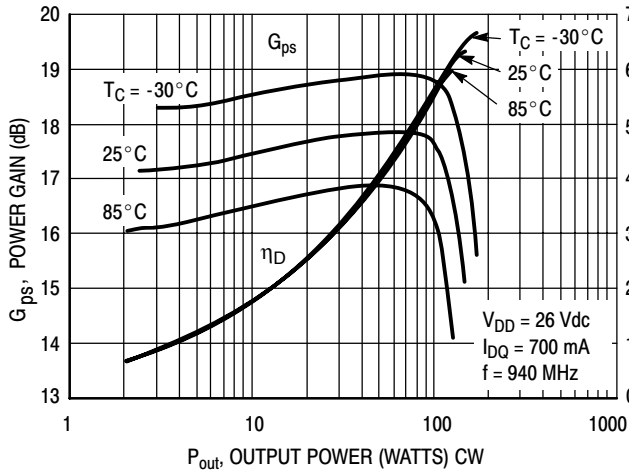


**Figure 6. Power Gain versus Output Power**

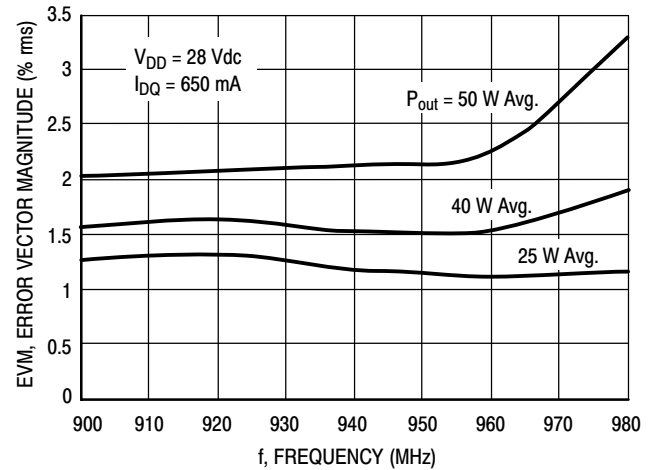
ARCHIVE INFORMATION

ARCHIVE INFORMATION

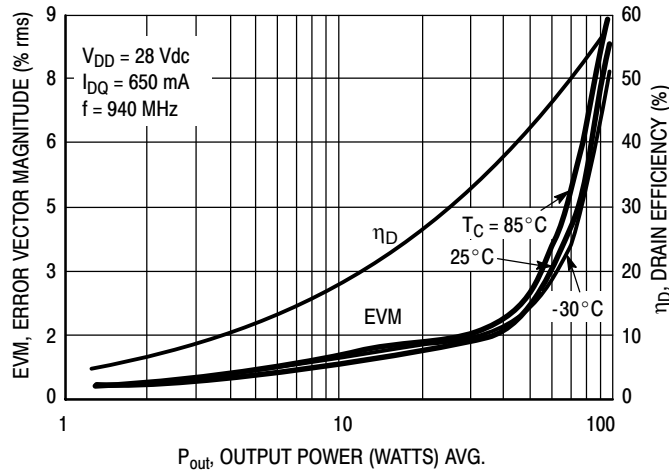
### TYPICAL CHARACTERISTICS - 900 MHz



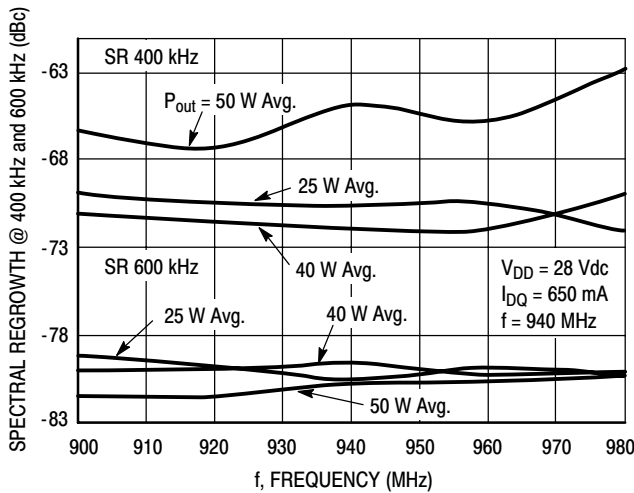
**Figure 7. Power Gain and Drain Efficiency versus CW Output Power**



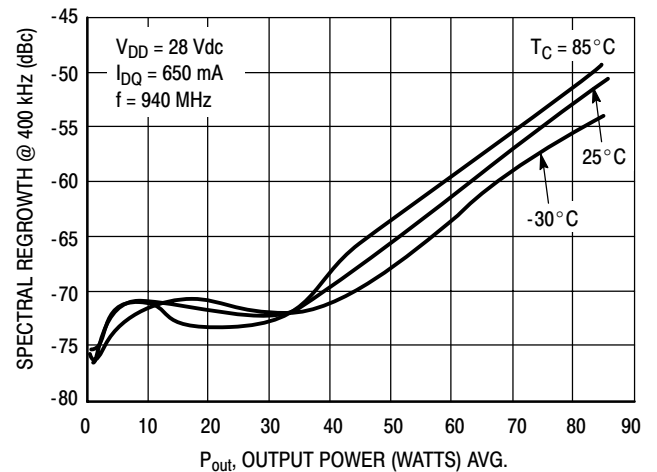
**Figure 8. Error Vector Magnitude versus Frequency**



**Figure 9. Error Vector Magnitude and Drain Efficiency versus Output Power**



**Figure 10. Spectral Regrowth at 400 kHz and 600 kHz versus Frequency**



**Figure 11. Spectral Regrowth at 400 kHz versus Output Power**

ARCHIVE INFORMATION

ARCHIVE INFORMATION

TYPICAL CHARACTERISTICS - 900 MHz

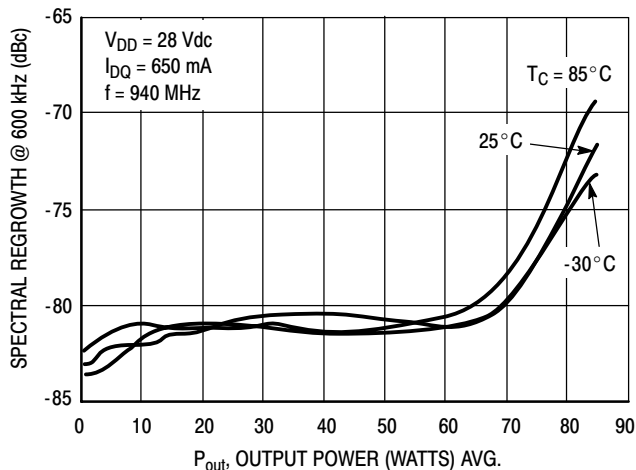
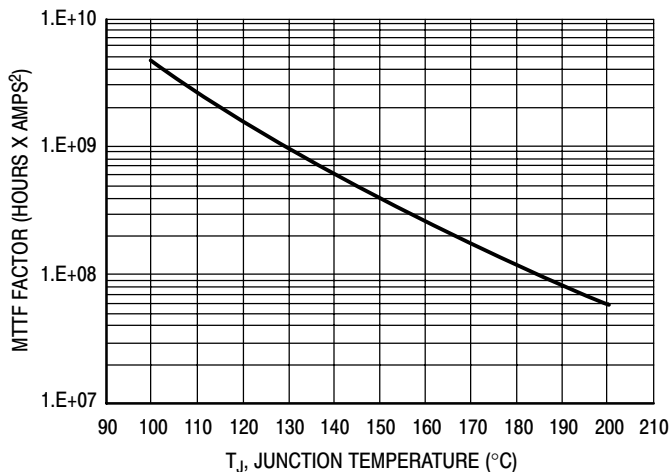


Figure 12. Spectral Regrowth @ 600 kHz versus Output Power

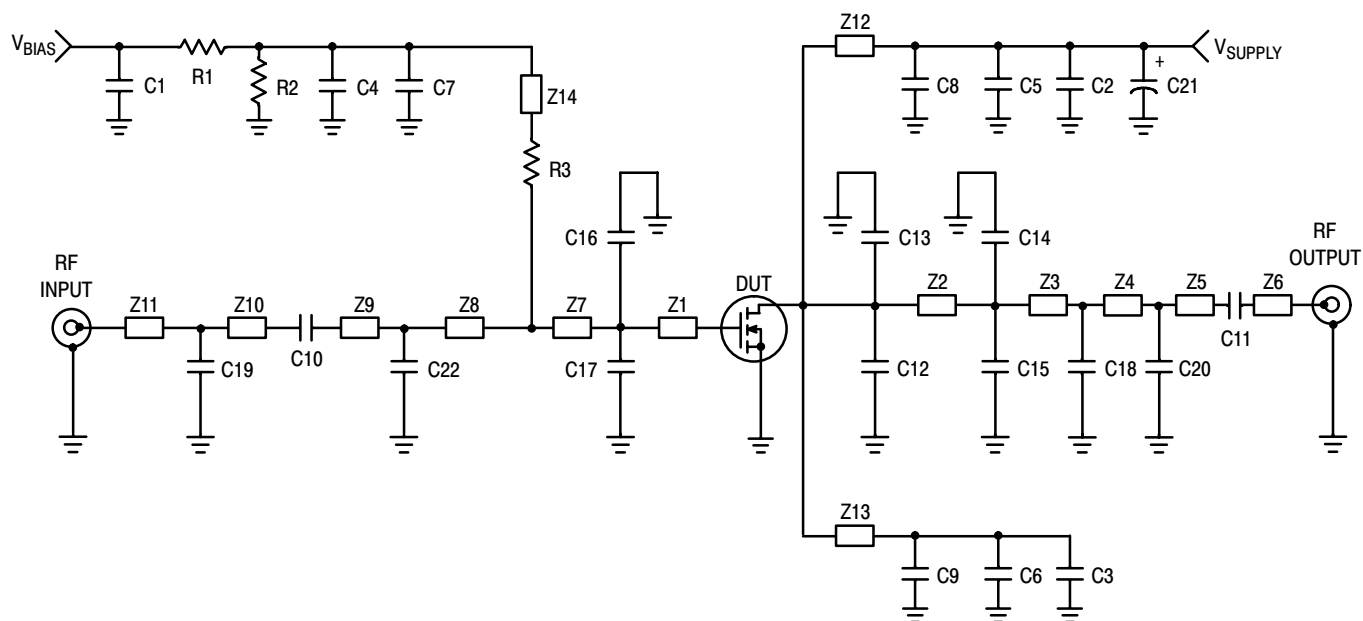


This above graph displays calculated MTTF in hours x ampere<sup>2</sup> drain current. Life tests at elevated temperatures have correlated to better than ±10% of the theoretical prediction for metal failure. Divide MTTF factor by  $I_D^2$  for MTTF in a particular application.

Figure 13. MTTF Factor versus Junction Temperature

ARCHIVE INFORMATION

ARCHIVE INFORMATION

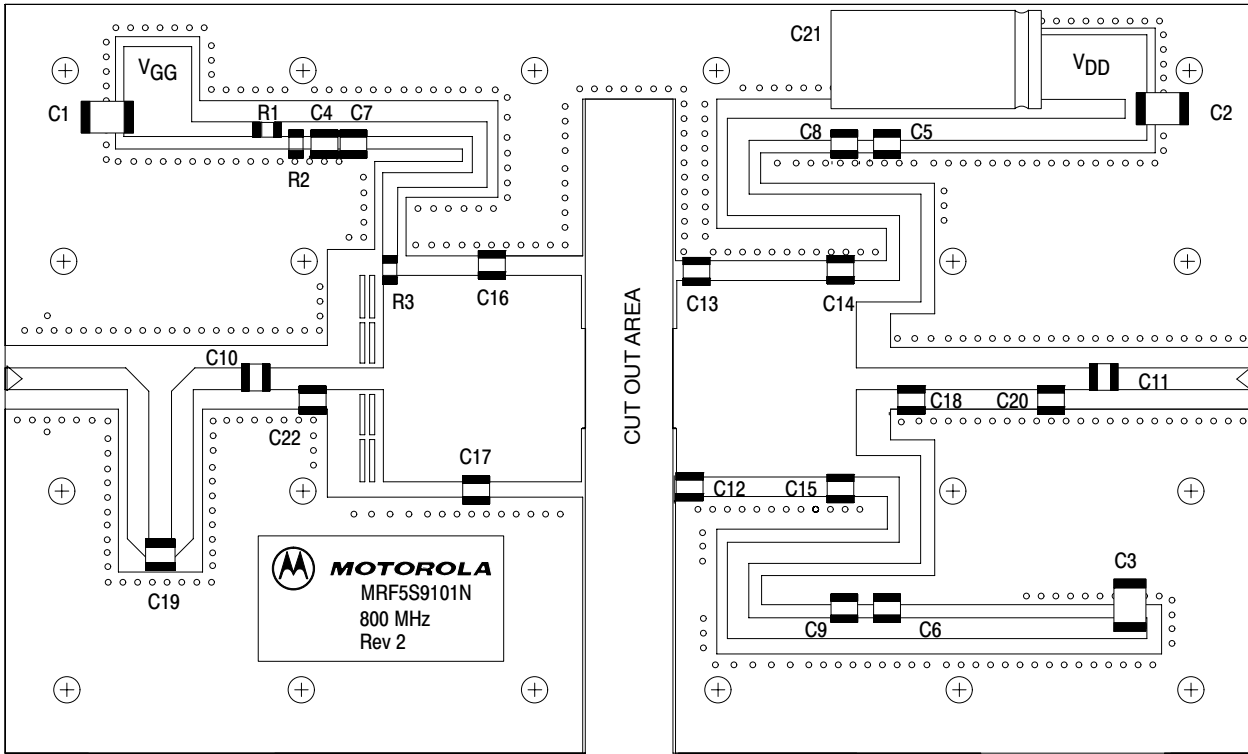


Z1	0.432" x 0.827" Microstrip	Z10	0.897" x 0.087" Microstrip
Z2	0.720" x 0.788" Microstrip	Z11	1.161" x 0.087" Microstrip
Z3	0.195" x 0.087" Microstrip	Z12, Z13*	1.6" x 0.089" Microstrip (quarter wave length for supply purpose)
Z4	0.584" x 0.087" Microstrip	Z14*	1.2" x 0.059" Microstrip (quarter wave length for bias purpose)
Z5	0.173" x 0.087" Microstrip	PCB	Taconic TLX8-0300, 0.030", $\epsilon_r = 2.55$
Z6	0.560" x 0.087" Microstrip		
Z7	0.378" x 0.827" Microstrip		
Z8	0.279" x 0.087" Microstrip		
Z9	0.193" x 0.087" Microstrip		
			*Variable for tuning

Figure 14. MRF5S9101MR1(MBR1) 800 MHz Test Circuit Schematic

Table 7. MRF5S9101MR1(MBR1) 800 MHz Test Circuit Component Designations and Values

Part	Description	Part Number	Manufacturer
C1, C2, C3	4.7 $\mu$ F Chip Capacitors (2220)	GRM55ER7H475KA01	Murata
C4, C5, C6	10 nF 200B Chip Capacitors	200B103MW	ATC
C7, C8, C9	33 pF 100B Chip Capacitors	100B330JW	ATC
C10, C11	22 pF 100B Chip Capacitors	100B220GW	ATC
C12, C13, C17	10 pF 100B Chip Capacitors	100B100GW	ATC
C14, C15	8.2 pF 100B Chip Capacitors	100B8R2CW	ATC
C16, C22	6.8 pF 100B Chip Capacitors	100B6R8CW	ATC
C18	5.6 pF 100B Chip Capacitor	100B5R6CW	ATC
C19, C20	2.7 pF 100B Chip Capacitors	100B2R7BW	ATC
C21	220 $\mu$ F, 50 V Electrolytic Capacitor, Axial	516D227M050NP7B	Sprague
R1, R2	10 k $\Omega$ , 1/4 W Chip Resistors (1206)		
R3	10 $\Omega$ , 1/4 W Chip Resistor (1206)		



Freescle has begun the transition of marking Printed Circuit Boards (PCBs) with the Freescle Semiconductor signature/logo. PCBs may have either Motorola or Freescle markings during the transition period. These changes will have no impact on form, fit or function of the current product.

**Figure 15. MRF5S9101MR1(MBR1) 800 MHz Test Circuit Component Layout**

### TYPICAL CHARACTERISTICS - 800 MHz

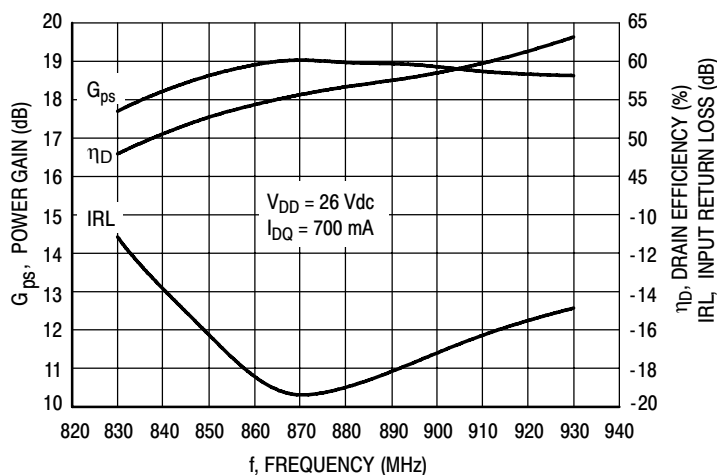


Figure 16. Power Gain, Input Return Loss and Drain Efficiency versus Frequency @  $P_{out} = 100$  W CW

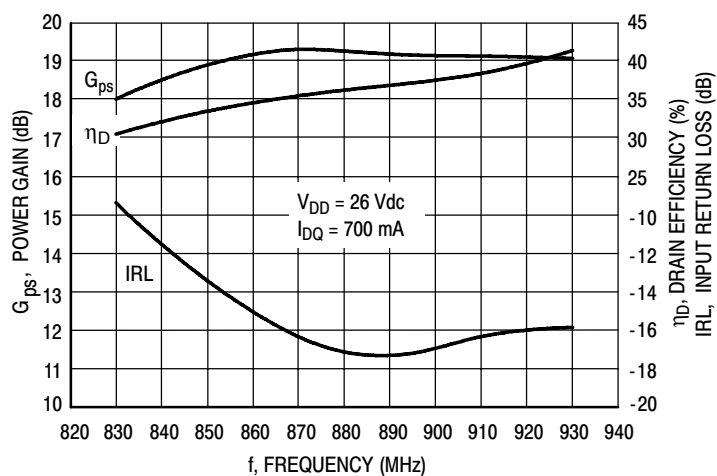


Figure 17. Power Gain, Input Return Loss and Drain Efficiency versus Frequency @  $P_{out} = 40$  W CW

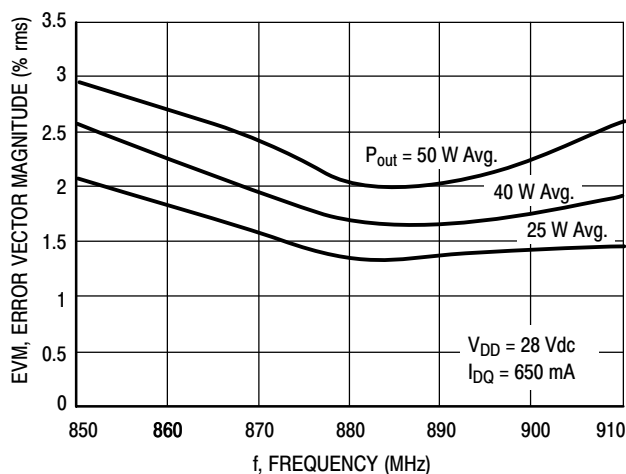


Figure 18. Error Vector Magnitude versus Frequency

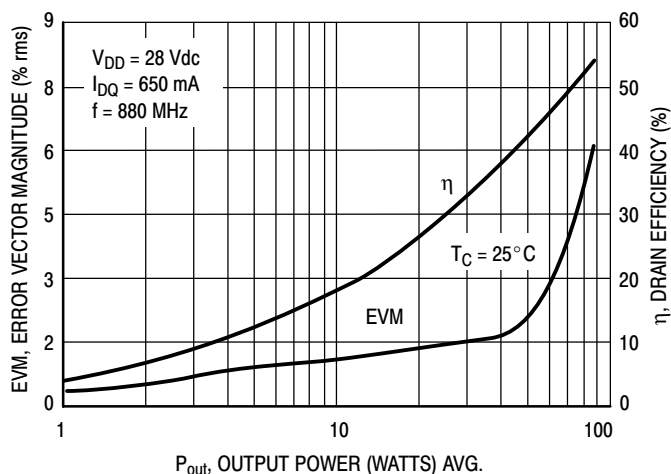
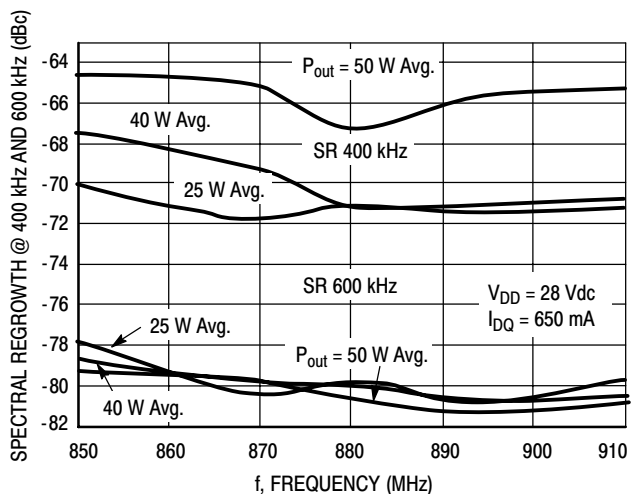


Figure 19. Error Vector Magnitude and Drain Efficiency versus Output Power

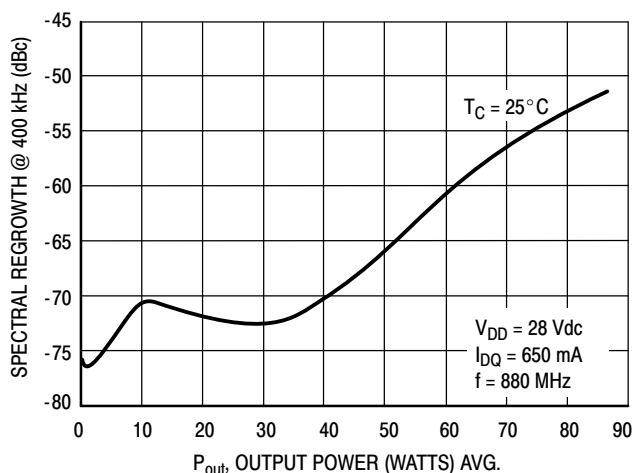
ARCHIVE INFORMATION

ARCHIVE INFORMATION

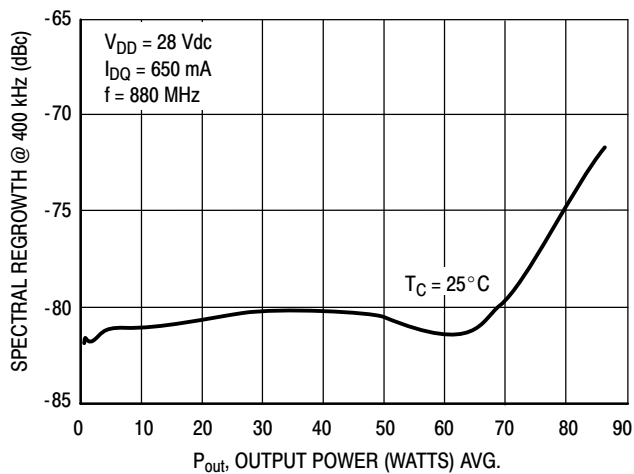
### TYPICAL CHARACTERISTICS - 800 MHz



**Figure 20. Spectral Regrowth at 400 kHz and 600 kHz versus Frequency**



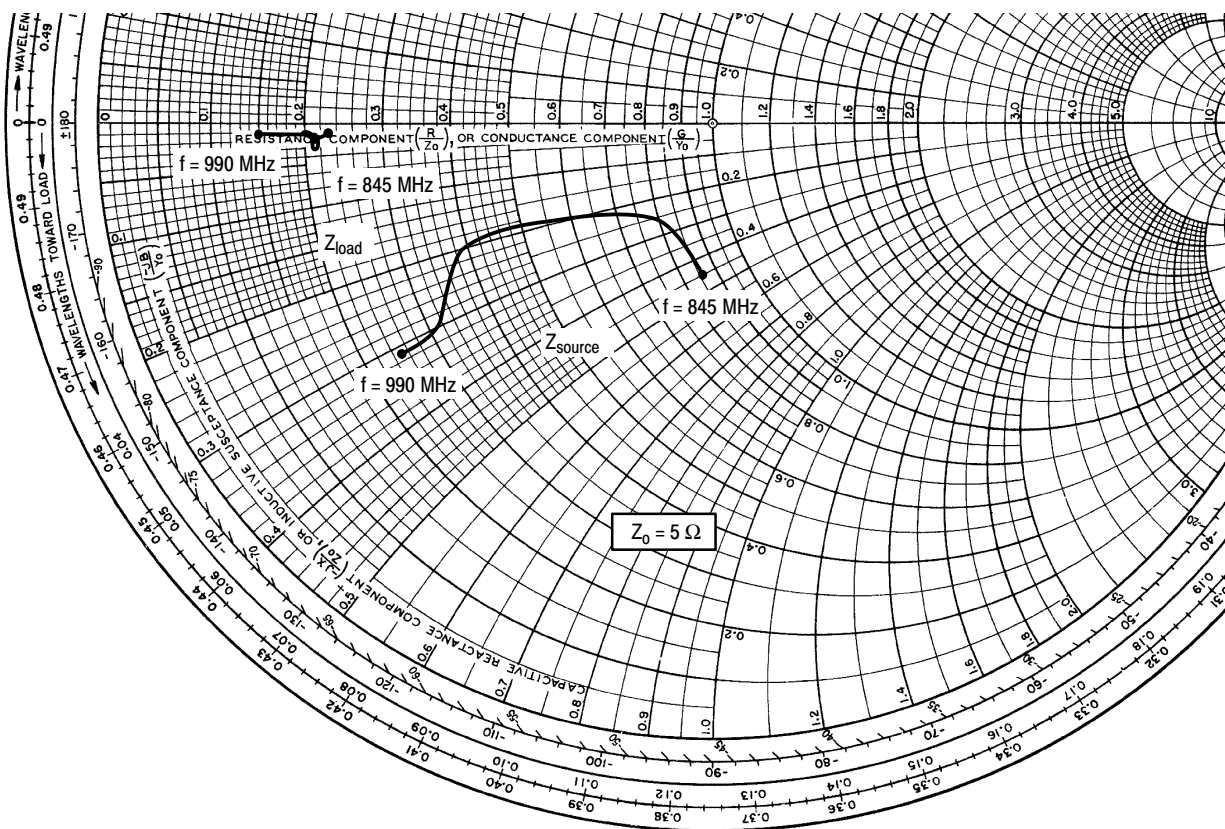
**Figure 21. Spectral Regrowth at 400 kHz versus Output Power**



**Figure 22. Spectral Regrowth at 600 kHz versus Output Power**

ARCHIVE INFORMATION

ARCHIVE INFORMATION



$V_{DD} = 26 \text{ Vdc}$ ,  $I_{DQ} = 700 \text{ mA}$ ,  $P_{out} = 100 \text{ W CW}$

f MHz	$Z_{source}$ $\Omega$	$Z_{load}$ $\Omega$
845	$4.29 - j2.23$	$1.15 - j0.04$
865	$3.94 - j1.24$	$1.05 - j0.10$
890	$2.72 - j0.96$	$1.02 - j0.07$
920	$1.96 - j1.02$	$1.03 - j0.15$
960	$1.58 - j1.43$	$1.03 - j0.05$
990	$1.27 - j1.54$	$0.73 - j0.07$

$Z_{source}$  = Test circuit impedance as measured from gate to ground.

$Z_{load}$  = Test circuit impedance as measured from drain to ground.

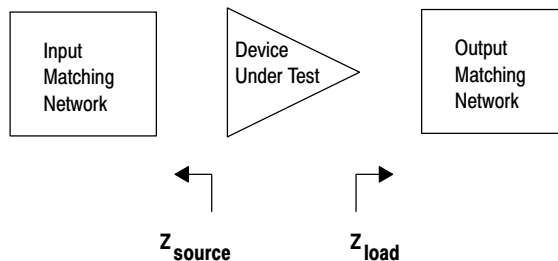
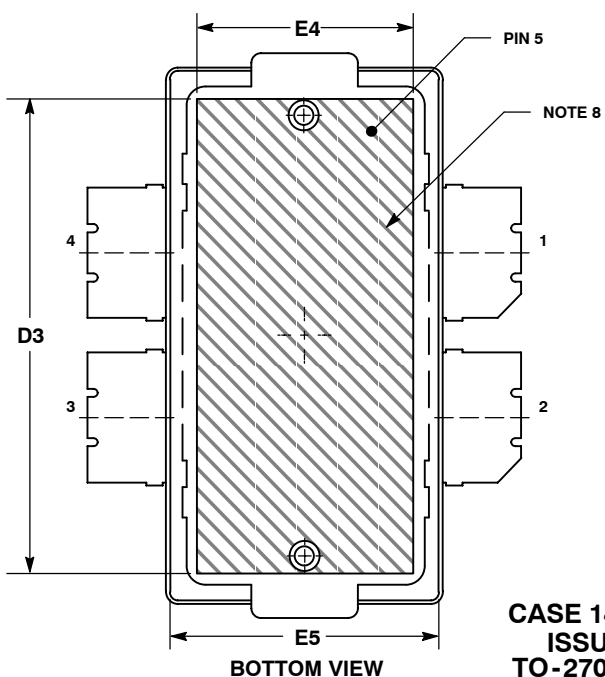
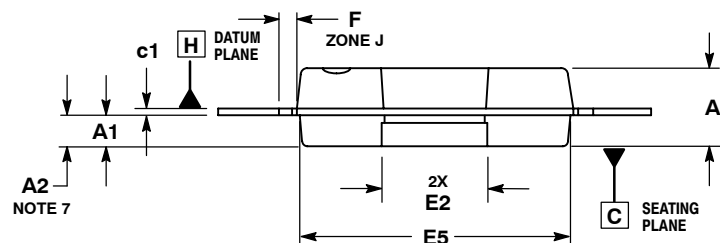
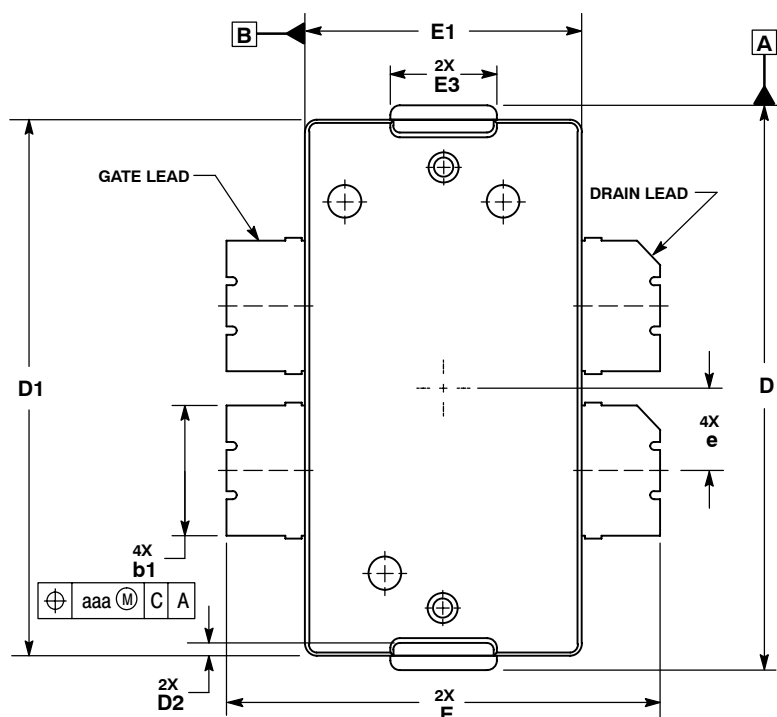


Figure 23. Series Equivalent Source and Load Impedance

# NOTES

# NOTES

### PACKAGE DIMENSIONS

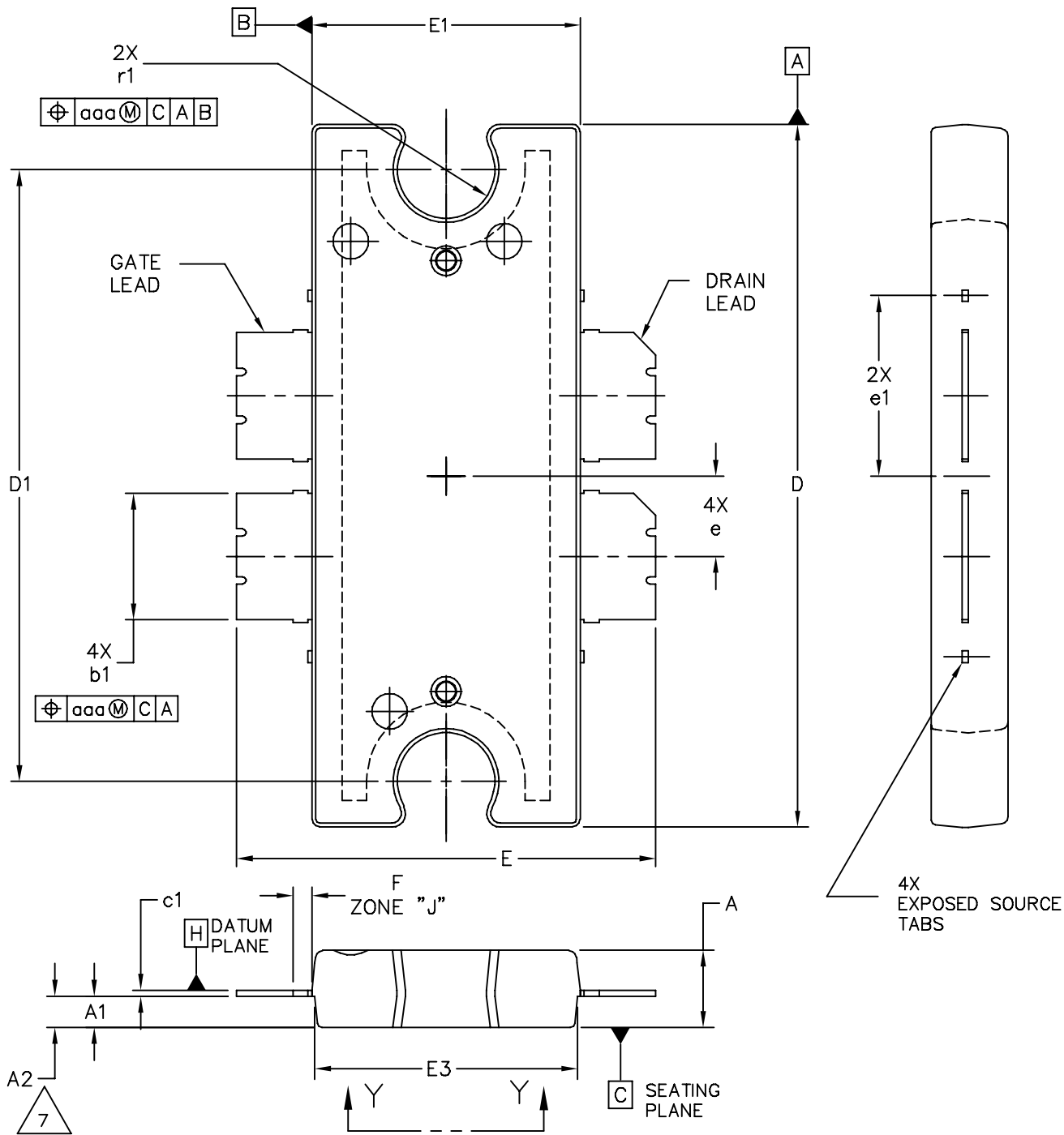


- NOTES:
1. CONTROLLING DIMENSION: INCH.
  2. INTERPRET DIMENSIONS AND TOLERANCES PER ASME Y14.5M-1994.
  3. DATUM PLANE -H- IS LOCATED AT THE TOP OF LEAD AND IS COINCIDENT WITH THE LEAD WHERE THE LEAD EXITS THE PLASTIC BODY AT THE TOP OF THE PARTING LINE.
  4. DIMENSIONS "D" AND "E1" DO NOT INCLUDE MOLD PROTRUSION. ALLOWABLE PROTRUSION IS .006 PER SIDE. DIMENSIONS "D" AND "E1" DO INCLUDE MOLD MISMATCH AND ARE DETERMINED AT DATUM PLANE -H-.
  5. DIMENSION "b1" DOES NOT INCLUDE DAMBAR PROTRUSION. ALLOWABLE DAMBAR PROTRUSION SHALL BE .005 TOTAL IN EXCESS OF THE "b1" DIMENSION AT MAXIMUM MATERIAL CONDITION.
  6. DATUMS -A- AND -B- TO BE DETERMINED AT DATUM PLANE -H-.
  7. DIMENSION A2 APPLIES WITHIN ZONE "J" ONLY.
  8. HATCHING REPRESENTS THE EXPOSED AREA OF THE HEAT SLUG.

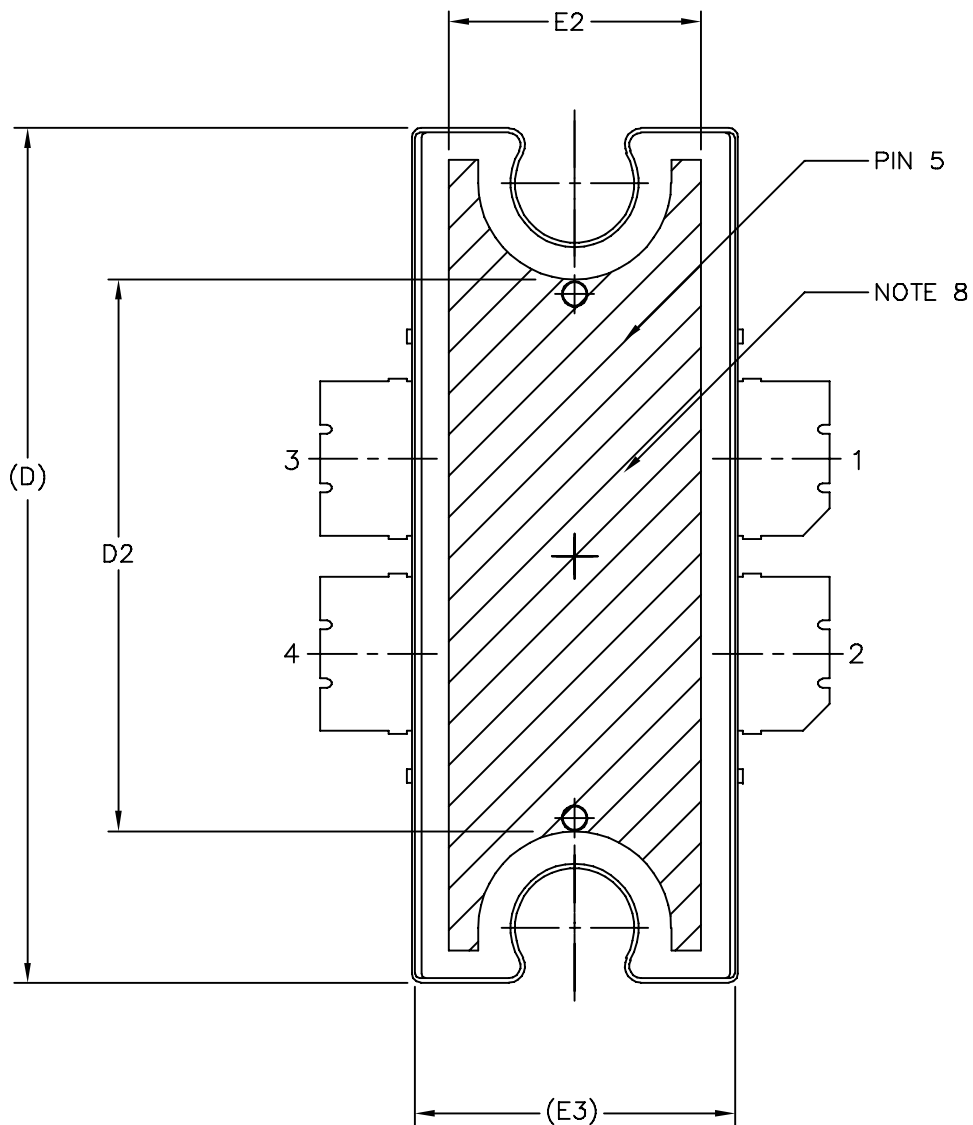
DIM	INCHES		MILLIMETERS	
	MIN	MAX	MIN	MAX
A	.100	.104	2.54	2.64
A1	.039	.043	0.99	1.09
A2	.040	.042	1.02	1.07
D	.712	.720	18.08	18.29
D1	.688	.692	17.48	17.58
D2	.011	.019	0.28	0.48
D3	.600	---	15.24	---
E	.551	.559	14	14.2
E1	.353	.357	8.97	9.07
E2	.132	.140	3.35	3.56
E3	.124	.132	3.15	3.35
E4	.270	---	6.86	---
E5	.346	.350	8.79	8.89
F	.025 BSC		0.64 BSC	
b1	.164	.170	4.17	4.32
c1	.007	.011	0.18	0.28
e	.106 BSC		2.69 BSC	
aaa	.004		0.10	

- STYLE 1:  
 PIN 1. DRAIN  
 2. DRAIN  
 3. GATE  
 4. GATE  
 5. SOURCE

**CASE 1486-03  
 ISSUE C  
 TO-270 WB-4  
 PLASTIC  
 MRF5S9101MR1**



© FREESCALE SEMICONDUCTOR, INC. ALL RIGHTS RESERVED.		<b>MECHANICAL OUTLINE</b>		PRINT VERSION NOT TO SCALE	
TITLE:  TO-272 4 LEAD, WIDE BODY			DOCUMENT NO: 98ASA10575D		REV: D
			CASE NUMBER: 1484-04		05 APR 2006
			STANDARD: NON-JEDEC		



© FREESCALE SEMICONDUCTOR, INC. ALL RIGHTS RESERVED.	<b>MECHANICAL OUTLINE</b>	PRINT VERSION NOT TO SCALE	
TITLE: TO-272 4 LEAD, WIDE BODY	DOCUMENT NO: 98ASA10575D	REV: D	
	CASE NUMBER: 1484-04	05 APR 2006	
	STANDARD: NON-JEDEC		

NOTES:

1. CONTROLLING DIMENSION: INCH
2. INTERPRET DIMENSIONS AND TOLERANCES PER ASME Y14.5M-1994.
3. DATUM PLANE H IS LOCATED AT THE TOP OF LEAD AND IS COINCIDENT WITH THE LEAD WHERE THE LEAD EXITS THE PLASTIC BODY AT THE TOP OF THE PARTING LINE.
4. DIMENSIONS "D" AND "E1" DO NOT INCLUDE MOLD PROTRUSION. ALLOWABLE PROTRUSION IS .006 PER SIDE. DIMENSIONS "D" AND "E1" DO INCLUDE MOLD MISMATCH AND ARE DETERMINED AT DATUM PLANE H.
5. DIMENSIONS "b1" DOES NOT INCLUDE DAMBAR PROTRUSION. ALLOWABLE DAMBAR PROTRUSION SHALL BE .005 TOTAL IN EXCESS OF THE "b1" DIMENSION AT MAXIMUM MATERIAL CONDITION.
6. DATUM A AND B TO BE DETERMINED AT DATUM PLANE H.
7. DIMENSION A2 APPLIES WITHIN ZONE "J" ONLY.
8. HATCHING REPRESENTS EXPOSED AREA OF THE HEAT SLUG. HATCHED AREA SHOWN IS ON THE SAME PLANE.

STYLE 1:

PIN 1 - DRAIN      PIN 2 - DRAIN  
 PIN 3 - GATE      PIN 4 - GATE  
 PIN 5 - SOURCE

DIM	INCH		MILLIMETER		DIM	INCH		MILLIMETER	
	MIN	MAX	MIN	MAX		MIN	MAX	MIN	MAX
A	.100	.104	2.54	2.64	b1	.164	.170	4.17	4.32
A1	.039	.043	0.99	1.09	c1	.007	.011	.18	.28
A2	.040	.042	1.02	1.07	r1	.063	.068	1.60	1.73
D	.928	.932	23.57	23.67	e	.106 BSC		2.69 BSC	
D1	.810 BSC		20.57 BSC		e1	.239 INFO ONLY		6.07 INFO ONLY	
D2	.600	---	15.24	---	aaa	.004		.10	
E	.551	.559	14	14.2					
E1	.353	.357	8.97	9.07					
E2	.270	---	6.86	---					
E3	.346	.350	8.79	8.89					
F	.025 BSC		0.64 BSC						

© FREESCALE SEMICONDUCTOR, INC. ALL RIGHTS RESERVED.		<b>MECHANICAL OUTLINE</b>		PRINT VERSION NOT TO SCALE	
TITLE:  TO-272 4 LEAD WIDE BODY			DOCUMENT NO: 98ASA10575D		REV: D
			CASE NUMBER: 1484-04		05 APR 2006
			STANDARD: NON-JEDEC		

## **How to Reach Us:**

### **Home Page:**

[www.freescale.com](http://www.freescale.com)

### **E-mail:**

[support@freescale.com](mailto:support@freescale.com)

### **USA/Europe or Locations Not Listed:**

Freescale Semiconductor  
Technical Information Center, CH370  
1300 N. Alma School Road  
Chandler, Arizona 85224  
+1-800-521-6274 or +1-480-768-2130  
[support@freescale.com](mailto:support@freescale.com)

### **Europe, Middle East, and Africa:**

Freescale Halbleiter Deutschland GmbH  
Technical Information Center  
Schatzbogen 7  
81829 Muenchen, Germany  
+44 1296 380 456 (English)  
+46 8 52200080 (English)  
+49 89 92103 559 (German)  
+33 1 69 35 48 48 (French)  
[support@freescale.com](mailto:support@freescale.com)

### **Japan:**

Freescale Semiconductor Japan Ltd.  
Headquarters  
ARCO Tower 15F  
1-8-1, Shimo-Meguro, Meguro-ku,  
Tokyo 153-0064  
Japan  
0120 191014 or +81 3 5437 9125  
[support.japan@freescale.com](mailto:support.japan@freescale.com)

### **Asia/Pacific:**

Freescale Semiconductor Hong Kong Ltd.  
Technical Information Center  
2 Dai King Street  
Tai Po Industrial Estate  
Tai Po, N.T., Hong Kong  
+800 2666 8080  
[support.asia@freescale.com](mailto:support.asia@freescale.com)

### **For Literature Requests Only:**

Freescale Semiconductor Literature Distribution Center  
P.O. Box 5405  
Denver, Colorado 80217  
1-800-441-2447 or 303-675-2140  
Fax: 303-675-2150  
[LDCForFreescaleSemiconductor@hibbertgroup.com](mailto:LDCForFreescaleSemiconductor@hibbertgroup.com)

Information in this document is provided solely to enable system and software implementers to use Freescale Semiconductor products. There are no express or implied copyright licenses granted hereunder to design or fabricate any integrated circuits or integrated circuits based on the information in this document.

Freescale Semiconductor reserves the right to make changes without further notice to any products herein. Freescale Semiconductor makes no warranty, representation or guarantee regarding the suitability of its products for any particular purpose, nor does Freescale Semiconductor assume any liability arising out of the application or use of any product or circuit, and specifically disclaims any and all liability, including without limitation consequential or incidental damages. "Typical" parameters that may be provided in Freescale Semiconductor data sheets and/or specifications can and do vary in different applications and actual performance may vary over time. All operating parameters, including "Typicals", must be validated for each customer application by customer's technical experts. Freescale Semiconductor does not convey any license under its patent rights nor the rights of others. Freescale Semiconductor products are not designed, intended, or authorized for use as components in systems intended for surgical implant into the body, or other applications intended to support or sustain life, or for any other application in which the failure of the Freescale Semiconductor product could create a situation where personal injury or death may occur. Should Buyer purchase or use Freescale Semiconductor products for any such unintended or unauthorized application, Buyer shall indemnify and hold Freescale Semiconductor and its officers, employees, subsidiaries, affiliates, and distributors harmless against all claims, costs, damages, and expenses, and reasonable attorney fees arising out of, directly or indirectly, any claim of personal injury or death associated with such unintended or unauthorized use, even if such claim alleges that Freescale Semiconductor was negligent regarding the design or manufacture of the part.

Freescale™ and the Freescale logo are trademarks of Freescale Semiconductor, Inc. All other product or service names are the property of their respective owners.  
© Freescale Semiconductor, Inc. 2006. All rights reserved.

RoHS-compliant and/or Pb-free versions of Freescale products have the functionality and electrical characteristics of their non-RoHS-compliant and/or non-Pb-free counterparts. For further information, see <http://www.freescale.com> or contact your Freescale sales representative.

For information on Freescale's Environmental Products program, go to <http://www.freescale.com/epp>.

## Looking for pricing, stock, or lifecycle information?

Click below to explore more details on WIN SOURCE:

- ⊖ [View MRF5S9101NBR1 on WIN SOURCE](#)
- ⊖ [Freescale Semiconductor - NXP Information](#)

## Optimize Your Supply Chain with WIN SOURCE Solutions

- ✓ Global Sourcing Solution
- ✓ Obsolete Management
- ✓ Cost Control Management
- ✓ Shortage Management
- ✓ Alternative Solution
- ✓ Excess Inventory Management