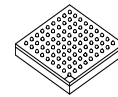




**THE DATASHEET OF  
MSC7116VF1000**



## MSC7116



MAP-BGA-400  
17 mm × 17 mm

### Low-Cost 16-bit DSP with DDR Controller and 10/100 Mbps Ethernet MAC

- StarCore® SC1400 DSP extended core with one SC1400 DSP core, 192 Kbyte of internal SRAM M1 memory, 16 way 16 Kbyte instruction cache (ICache), four-entry write buffer, programmable interrupt controller (PIC), and low-power Wait and Stop processing modes.
- 192 Kbyte M2 memory for critical data and temporary data buffering.
- 8 Kbyte boot ROM.
- AHB-Lite crossbar switch that allows parallel data transfers between four master ports and six slave ports, where each port connects to an AHB-Lite bus; fixed or round robin priority programmable at each slave port; programmable bus parking at each slave port; low power mode.
- Internal PLL generates up to 266 MHz clock for the SC1400 core and up to 133 MHz for the crossbar switch, DMA channels, M2 memory, and other peripherals.
- Clock synthesis module provides predivision of PLL input clock; independent clocking of the internal timers and DDR module; programmable operation in the SC1400 low power Stop mode; independent shutdown of different regions of the device.
- Enhanced 16-bit wide host interface (HDI16) provides a glueless connection to industry-standard microcomputers, microprocessors, and DSPs and can also operate with an 8-bit host data bus, making it fully compatible with the DSP56300 HI08 from the external host side.
- DDR memory controller that supports byte enables for up to a 32-bit data bus; glueless interface to 133 MHz 14-bit page mode DDR-RAM; 14-bit external address bus supporting up to 1 Gbyte; and 16-bit or 32-bit external data bus.
- Programmable memory interface with independent read buffers, programmable predictive read feature for each buffer, and a write buffer.
- System control unit performs software watchdog timer function; includes programmable bus time-out monitors on AHB-Lite slave buses; includes bus error detection and programmable time-out monitors on AHB-Lite master buses; and has address out-of-range detection on each crossbar switch buses.
- Event port collects and counts important signal events including DMA and interrupt requests and trigger events such as interrupts, breakpoints, DMA transfers, or wake-up events; units operate independently, in sequence, or triggered externally; can be used standalone or with the OCE10.
- Multi-channel DMA controller with 32 time-multiplexed unidirectional channels, priority-based time-multiplexing between channels using 32 internal priority levels, fixed- or round-robin-priority operation, major-minor loop structure, and DONE or DRACK protocol from requesting units.
- Two independent TDM modules with independent receive and transmit, programmable sharing of frame sync and clock, programmable word size (8 or 16-bit), hardware-base A-law/ $\mu$ -law conversion, up to 50 Mbps data rate per TDM, up to 128 channels, with glueless interface to E1/T1 frames and MVIP, SCAS, and H.110 buses.
- Ethernet controller with support for 10/100 Mbps MII/RMII designed to comply with IEEE Std. 802.3™, 802.3u™, 802.3x™, and 802.3ac™; with internal receive and transmit FIFOs and a FIFO controller; direct access to internal memories via its own DMA controller; full and half duplex operation; programmable maximum frame length; virtual local area network (VLAN) tag and priority support; retransmission of transmit FIFO following collision; CRC generation and verification for inbound and outbound packets; and address recognition including promiscuous, broadcast, individual address, hash/exact match, and multicast hash match.
- UART with full-duplex operation up to 5.0 Mbps.
- Up to 41 general-purpose input/output (GPIO) ports.
- I<sup>2</sup>C interface that allows booting from EEPROM devices up to 1 Mbyte.
- Two quad timer modules, each with sixteen configurable 16-bit timers.
- fieldBIST™ unit detects and provides visibility into unlikely field failures for systems with high availability to ensure structural integrity, that the device operates at the rated speed, is free from reliability defects, and reports diagnostics for partial or complete device inoperability.
- Standard JTAG interface allows easy integration to system firmware and internal on-chip emulation (OCE10) module.
- Optional booting external host via 8-bit or 16-bit access through the HDI16, I<sup>2</sup>C, or SPI using in the boot ROM to access serial SPI Flash/EEPROM devices; different clocking options during boot with the PLL on or off using a variety of input frequency ranges.

# Table of Contents

1	Pin Assignments	4
1.1	MAP-BGA Ball Layout Diagrams	4
1.2	Signal List By Ball Location	6
2	Electrical Characteristics	17
2.1	Maximum Ratings	17
2.2	Recommended Operating Conditions	18
2.3	Thermal Characteristics	19
2.4	DC Electrical Characteristics	19
2.5	AC Timings	21
3	Hardware Design Considerations	41
3.1	Thermal Design Considerations	41
3.2	Power Supply Design Considerations	42
3.3	Estimated Power Usage Calculations	49
3.4	Reset and Boot	51
3.5	DDR Memory System Guidelines	54
4	Ordering Information	57
5	Package Information	58
6	Product Documentation	58
7	Revision History	59

## List of Figures

Figure 1.	MSC7116 Block Diagram	3
Figure 2.	MSC7116 Molded Array Process-Ball Grid Array (MAP-BGA), Top View	4
Figure 3.	MSC7116 Molded Array Process-Ball Grid Array (MAP-BGA), Bottom View	5
Figure 4.	Timing Diagram for a Reset Configuration Write	25
Figure 5.	DDR DRAM Input Timing Diagram	26
Figure 6.	DDR DRAM Output Timing Diagram	27
Figure 7.	DDR DRAM AC Test Load	28

Figure 8.	TDM Receive Signals	28
Figure 9.	TDM Transmit Signals	29
Figure 10.	Ethernet Receive Signal Timing	29
Figure 11.	Ethernet Receive Signal Timing	30
Figure 12.	Asynchronous Input Signal Timing	30
Figure 13.	Serial Management Channel Timing	31
Figure 14.	Read Timing Diagram, Single Data Strobe	33
Figure 15.	Read Timing Diagram, Double Data Strobe	33
Figure 16.	Write Timing Diagram, Single Data Strobe	34
Figure 17.	Write Timing Diagram, Double Data Strobe	34
Figure 18.	Host DMA Read Timing Diagram, HPCR[OAD] = 0	35
Figure 19.	Host DMA Write Timing Diagram, HPCR[OAD] = 0	35
Figure 20.	I2C Timing Diagram	36
Figure 21.	UART Input Timing	37
Figure 22.	UART Output Timing	37
Figure 23.	EE Pin Timing	37
Figure 24.	EVNT Pin Timing	38
Figure 25.	GPI/GPO Pin Timing	38
Figure 26.	Test Clock Input Timing Diagram	39
Figure 27.	Boundary Scan (JTAG) Timing Diagram	40
Figure 28.	Test Access Port Timing Diagram	40
Figure 29.	TRST Timing Diagram	40
Figure 30.	Voltage Sequencing Case 1	43
Figure 31.	Voltage Sequencing Case 2	44
Figure 32.	Voltage Sequencing Case 3	45
Figure 33.	Voltage Sequencing Case 4	46
Figure 34.	Voltage Sequencing Case 5	47
Figure 35.	PLL Power Supply Filter Circuits	48
Figure 36.	SSTL Termination Techniques	54
Figure 37.	SSTL Power Value	55

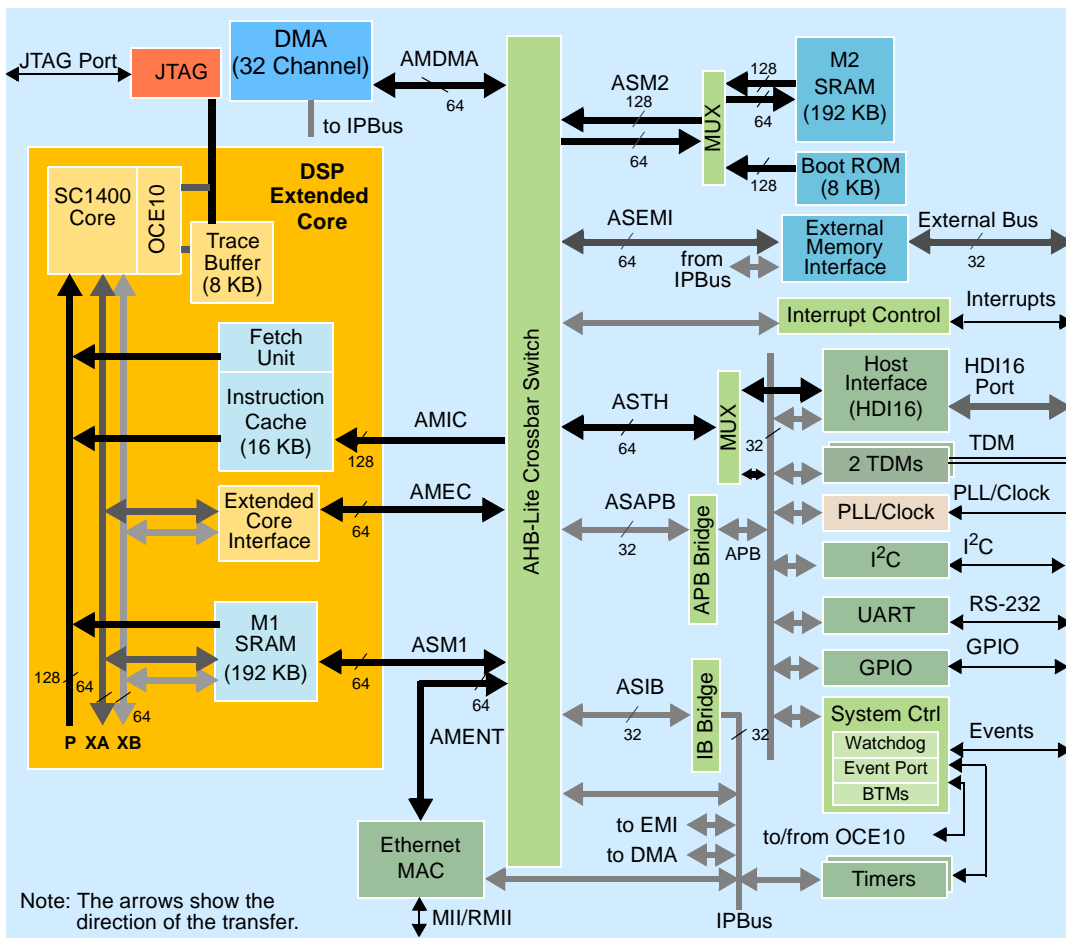


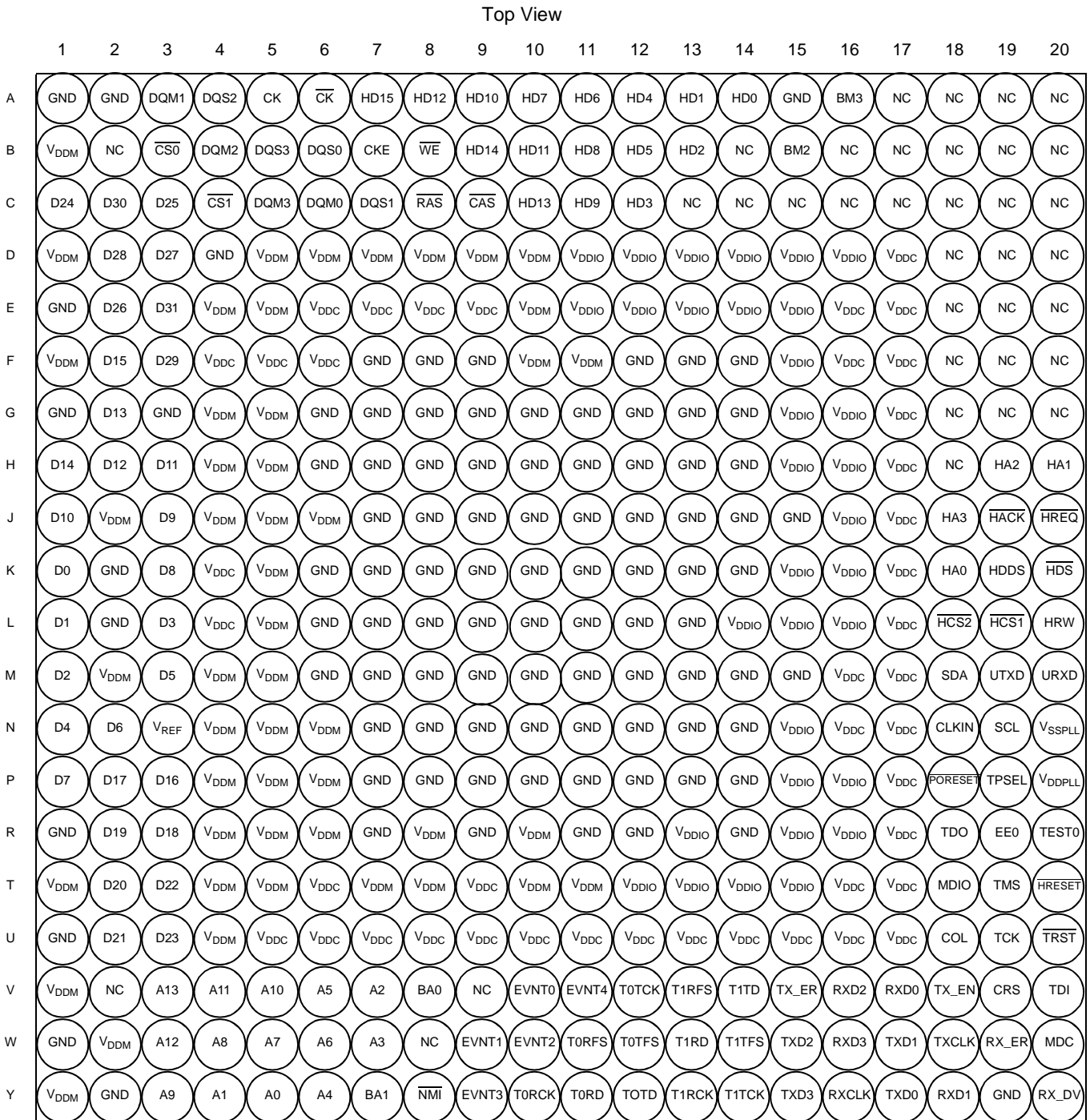
Figure 1. MSC7116 Block Diagram

# 1 Pin Assignments

This section includes diagrams of the MSC7116 package ball grid array layouts and pinout allocation tables.

## 1.1 MAP-BGA Ball Layout Diagrams

Top and bottom views of the MAP-BGA package are shown in **Figure 2** and **Figure 3** with their ball location index numbers.



**Figure 2. MSC7116 Molded Array Process-Ball Grid Array (MAP-BGA), Top View**

Bottom View

	20	19	18	17	16	15	14	13	12	11	10	9	8	7	6	5	4	3	2	1
A	NC	NC	NC	NC	BM3	GND	HD0	HD1	HD4	HD6	HD7	HD10	HD12	HD15	$\overline{CK}$	CK	DQS2	DQM1	GND	GND
B	NC	NC	NC	NC	NC	BM2	NC	HD2	HD5	HD8	HD11	HD14	$\overline{WE}$	CKE	DQS0	DQS3	DQM2	$\overline{CS0}$	NC	V <sub>DDM</sub>
C	NC	NC	NC	NC	NC	NC	NC	NC	HD3	HD9	HD13	$\overline{CAS}$	$\overline{RAS}$	DQS1	DQM0	DQM3	$\overline{CS1}$	D25	D30	D24
D	NC	NC	NC	V <sub>DD</sub>	V <sub>DDIO</sub>	V <sub>DDIO</sub>	V <sub>DDIO</sub>	V <sub>DDIO</sub>	V <sub>DDIO</sub>	V <sub>DDIO</sub>	V <sub>DDM</sub>	V <sub>DDM</sub>	V <sub>DDM</sub>	V <sub>DDM</sub>	V <sub>DDM</sub>	V <sub>DDM</sub>	GND	D27	D28	V <sub>DDM</sub>
E	NC	NC	NC	V <sub>DD</sub>	V <sub>DD</sub>	V <sub>DDIO</sub>	V <sub>DDIO</sub>	V <sub>DDIO</sub>	V <sub>DDIO</sub>	V <sub>DDIO</sub>	V <sub>DDM</sub>	V <sub>DD</sub>	V <sub>DD</sub>	V <sub>DD</sub>	V <sub>DD</sub>	V <sub>DDM</sub>	V <sub>DDM</sub>	D31	D26	GND
F	NC	NC	NC	V <sub>DD</sub>	V <sub>DD</sub>	V <sub>DDIO</sub>	GND	GND	GND	V <sub>DDM</sub>	V <sub>DDM</sub>	GND	GND	GND	V <sub>DD</sub>	V <sub>DD</sub>	V <sub>DD</sub>	D29	D15	V <sub>DDM</sub>
G	NC	NC	NC	V <sub>DD</sub>	V <sub>DDIO</sub>	V <sub>DDIO</sub>	GND	GND	GND	GND	GND	GND	GND	GND	GND	V <sub>DDM</sub>	V <sub>DDM</sub>	GND	D13	GND
H	HA1	HA2	NC	V <sub>DD</sub>	V <sub>DDIO</sub>	V <sub>DDIO</sub>	GND	GND	GND	GND	GND	GND	GND	GND	GND	V <sub>DDM</sub>	V <sub>DDM</sub>	D11	D12	D14
J	$\overline{HREQ}$	$\overline{HACK}$	HA3	V <sub>DD</sub>	V <sub>DDIO</sub>	GND	GND	GND	GND	GND	GND	GND	GND	GND	V <sub>DDM</sub>	V <sub>DDM</sub>	V <sub>DDM</sub>	D9	V <sub>DDM</sub>	D10
K	$\overline{HDS}$	HDDS	HA0	V <sub>DD</sub>	V <sub>DDIO</sub>	V <sub>DDIO</sub>	GND	GND	GND	GND	GND	GND	GND	GND	GND	V <sub>DDM</sub>	V <sub>DD</sub>	D8	GND	D0
L	HRW	$\overline{HCS1}$	$\overline{HCS2}$	V <sub>DD</sub>	V <sub>DDIO</sub>	V <sub>DDIO</sub>	V <sub>DDIO</sub>	GND	GND	GND	GND	GND	GND	GND	GND	V <sub>DDM</sub>	V <sub>DD</sub>	D3	GND	D1
M	URXD	UTXD	SDA	V <sub>DD</sub>	V <sub>DD</sub>	GND	GND	GND	GND	GND	GND	GND	GND	GND	GND	V <sub>DDM</sub>	V <sub>DDM</sub>	D5	V <sub>DDM</sub>	D2
N	V <sub>SSPLL</sub>	SCL	CLKIN	V <sub>DD</sub>	V <sub>DD</sub>	V <sub>DDIO</sub>	GND	GND	GND	GND	GND	GND	GND	GND	V <sub>DDM</sub>	V <sub>DDM</sub>	V <sub>DDM</sub>	V <sub>REF</sub>	D6	D4
P	V <sub>DDPLL</sub>	TPSEL	$\overline{PORESET}$	V <sub>DD</sub>	V <sub>DDIO</sub>	V <sub>DDIO</sub>	GND	GND	GND	GND	GND	GND	GND	GND	V <sub>DDM</sub>	V <sub>DDM</sub>	V <sub>DDM</sub>	D16	D17	D7
R	TEST0	EE0	TDO	V <sub>DD</sub>	V <sub>DDIO</sub>	V <sub>DDIO</sub>	GND	V <sub>DDIO</sub>	GND	GND	V <sub>DDM</sub>	GND	V <sub>DDM</sub>	GND	V <sub>DDM</sub>	V <sub>DDM</sub>	V <sub>DDM</sub>	D18	D19	GND
T	$\overline{HRESET}$	TMS	MDIO	V <sub>DD</sub>	V <sub>DD</sub>	V <sub>DDIO</sub>	V <sub>DDIO</sub>	V <sub>DDIO</sub>	V <sub>DDIO</sub>	V <sub>DDM</sub>	V <sub>DDM</sub>	V <sub>DD</sub>	V <sub>DDM</sub>	V <sub>DDM</sub>	V <sub>DD</sub>	V <sub>DDM</sub>	V <sub>DDM</sub>	D22	D20	V <sub>DDM</sub>
U	$\overline{TRST}$	TCK	COL	V <sub>DD</sub>	V <sub>DD</sub>	V <sub>DD</sub>	V <sub>DD</sub>	V <sub>DD</sub>	V <sub>DD</sub>	V <sub>DD</sub>	V <sub>DD</sub>	V <sub>DD</sub>	V <sub>DD</sub>	V <sub>DD</sub>	V <sub>DD</sub>	V <sub>DD</sub>	V <sub>DDM</sub>	D23	D21	GND
V	TDI	CRS	TX_EN	RXD0	RXD2	TX_ER	T1TD	T1RFS	T0TCK	EVNT4	EVNT0	NC	BA0	A2	A5	A10	A11	A13	NC	V <sub>DDM</sub>
W	MDC	RX_ER	TXCLK	TXD1	RXD3	TXD2	T1TFS	T1RD	T0TFS	T0RFS	EVNT2	EVNT1	NC	A3	A6	A7	A8	A12	V <sub>DDM</sub>	GND
Y	RX_DV	GND	RXD1	TXD0	RXCLK	TXD3	T1TCK	T1RCK	T0TD	T0RD	T0RCK	EVNT3	$\overline{NMI}$	BA1	A4	A0	A1	A9	GND	V <sub>DDM</sub>

Figure 3. MSC7116 Molded Array Process-Ball Grid Array (MAP-BGA), Bottom View

## 1.2 Signal List By Ball Location

Table 1 lists the signals sorted by ball number and configuration.

Table 1. MSC7116 Signals by Ball Designator

Number	Signal Names					
	End of Reset	Software Controlled			Hardware Controlled	
		GPI Enabled (Default)	Interrupt Enabled	GPO Enabled	Primary	Alternate
A1	GND					
A2	GND					
A3	DQM1					
A4	DQS2					
A5	CK					
A6	$\overline{\text{CK}}$					
A7		GPIC7		GPOC7		HD15
A8		GPIC4		GPOC4		HD12
A9		GPIC2		GPOC2		HD10
A10		reserved				HD7
A11		reserved				HD6
A12		reserved				HD4
A13		reserved				HD1
A14		reserved				HD0
A15	GND					
A16	BM3	GPID8		GPOD8		reserved
A17	NC					
A18	NC					
A19	NC					
A20	NC					
B1	$V_{\text{DDM}}$					
B2	NC					
B3	$\overline{\text{CS0}}$					
B4	DQM2					
B5	DQS3					
B6	DQS0					
B7	CKE					
B8	$\overline{\text{WE}}$					
B9		GPIC6		GPOC6		HD14
B10		GPIC3		GPOC3		HD11
B11		GPIC0		GPOC0		HD8
B12		reserved				HD5
B13		reserved				HD2

Table 1. MSC7116 Signals by Ball Designator (continued)

Number	Signal Names					
	End of Reset	Software Controlled			Hardware Controlled	
		GPI Enabled (Default)	Interrupt Enabled	GPO Enabled	Primary	Alternate
B14	NC					
B15	BM2	GPID7		GPOD7	reserved	
B16	NC					
B17	NC					
B18	NC					
B19	NC					
B20	NC					
C1	D24					
C2	D30					
C3	D25					
C4	$\overline{\text{CS1}}$					
C5	DQM3					
C6	DQM0					
C7	DQS1					
C8	$\overline{\text{RAS}}$					
C9	$\overline{\text{CAS}}$					
C10	GPIC5			GPOC5	HD13	
C11	GPIC1			GPOC1	HD9	
C12	reserved				HD3	
C13	NC					
C14	NC					
C15	NC					
C16	NC					
C17	NC					
C18	NC					
C19	NC					
C20	NC					
D1	$V_{\text{DDM}}$					
D2	D28					
D3	D27					
D4	GND					
D5	$V_{\text{DDM}}$					
D6	$V_{\text{DDM}}$					
D7	$V_{\text{DDM}}$					
D8	$V_{\text{DDM}}$					
D9	$V_{\text{DDM}}$					

Table 1. MSC7116 Signals by Ball Designator (continued)

Number	Signal Names					
	End of Reset	Software Controlled			Hardware Controlled	
		GPI Enabled (Default)	Interrupt Enabled	GPO Enabled	Primary	Alternate
D10						V <sub>DDM</sub>
D11						V <sub>DDIO</sub>
D12						V <sub>DDIO</sub>
D13						V <sub>DDIO</sub>
D14						V <sub>DDIO</sub>
D15						V <sub>DDIO</sub>
D16						V <sub>DDIO</sub>
D17						V <sub>DDC</sub>
D18						NC
D19						NC
D20						NC
E1						GND
E2						D26
E3						D31
E4						V <sub>DDM</sub>
E5						V <sub>DDM</sub>
E6						V <sub>DDC</sub>
E7						V <sub>DDC</sub>
E8						V <sub>DDC</sub>
E9						V <sub>DDC</sub>
E10						V <sub>DDM</sub>
E11						V <sub>DDIO</sub>
E12						V <sub>DDIO</sub>
E13						V <sub>DDIO</sub>
E14						V <sub>DDIO</sub>
E15						V <sub>DDIO</sub>
E16						V <sub>DDC</sub>
E17						V <sub>DDC</sub>
E18						NC
E19						NC
E20						NC
F1						V <sub>DDM</sub>
F2						D15
F3						D29
F4						V <sub>DDC</sub>
F5						V <sub>DDC</sub>

Table 1. MSC7116 Signals by Ball Designator (continued)

Number	Signal Names					
	End of Reset	Software Controlled			Hardware Controlled	
		GPI Enabled (Default)	Interrupt Enabled	GPO Enabled	Primary	Alternate
F6						V <sub>DDC</sub>
F7						GND
F8						GND
F9						GND
F10						V <sub>DDM</sub>
F11						V <sub>DDM</sub>
F12						GND
F13						GND
F14						GND
F15						V <sub>DDIO</sub>
F16						V <sub>DDC</sub>
F17						V <sub>DDC</sub>
F18						NC
F19						NC
F20						NC
G1						GND
G2						D13
G3						GND
G4						V <sub>DDM</sub>
G5						V <sub>DDM</sub>
G6						GND
G7						GND
G8						GND
G9						GND
G10						GND
G11						GND
G12						GND
G13						GND
G14						GND
G15						V <sub>DDIO</sub>
G16						V <sub>DDIO</sub>
G17						V <sub>DDC</sub>
G18						NC
G19						NC
G20						NC
H1						D14

Table 1. MSC7116 Signals by Ball Designator (continued)

Number	Signal Names					
	End of Reset	Software Controlled			Hardware Controlled	
		GPI Enabled (Default)	Interrupt Enabled	GPO Enabled	Primary	Alternate
H2					D12	
H3					D11	
H4					V <sub>DDM</sub>	
H5					V <sub>DDM</sub>	
H6					GND	
H7					GND	
H8					GND	
H9					GND	
H10					GND	
H11					GND	
H12					GND	
H13					GND	
H14					GND	
H15					V <sub>DDIO</sub>	
H16					V <sub>DDIO</sub>	
H17					V <sub>DDC</sub>	
H18					NC	
H19		reserved				HA2
H20		reserved				HA1
J1					D10	
J2					V <sub>DDM</sub>	
J3					D9	
J4					V <sub>DDM</sub>	
J5					V <sub>DDM</sub>	
J6					V <sub>DDM</sub>	
J7					GND	
J8					GND	
J9					GND	
J10					GND	
J11					GND	
J12					GND	
J13					GND	
J14					GND	
J15					GND	
J16					V <sub>DDIO</sub>	
J17					V <sub>DDC</sub>	

Table 1. MSC7116 Signals by Ball Designator (continued)

Number	Signal Names					
	End of Reset	Software Controlled			Hardware Controlled	
		GPI Enabled (Default)	Interrupt Enabled	GPO Enabled	Primary	Alternate
J18	GPIC11		GPOC11		HA3	
J19	reserved				$\overline{\text{HACK}}/\text{HACK}$ or $\overline{\text{HRRQ}}/\text{HRRQ}$	
J20	HDSP	reserved			$\overline{\text{HREQ}}/\text{HREQ}$ or $\overline{\text{HTRQ}}/\text{HTRQ}$	
K1	D0					
K2	GND					
K3	D8					
K4	$V_{\text{DDC}}$					
K5	$V_{\text{DDM}}$					
K6	GND					
K7	GND					
K8	GND					
K9	GND					
K10	GND					
K11	GND					
K12	GND					
K13	GND					
K14	GND					
K15	$V_{\text{DDIO}}$					
K16	$V_{\text{DDIO}}$					
K17	$V_{\text{DDC}}$					
K18	reserved				HA0	
K19	reserved				HDDS	
K20	reserved				$\overline{\text{HDS}}/\text{HDS}$ or $\overline{\text{HWR}}/\text{HWR}$	
L1	D1					
L2	GND					
L3	D3					
L4	$V_{\text{DDC}}$					
L5	$V_{\text{DDM}}$					
L6	GND					
L7	GND					
L8	GND					
L9	GND					
L10	GND					
L11	GND					
L12	GND					
L13	GND					

Table 1. MSC7116 Signals by Ball Designator (continued)

Number	Signal Names					
	End of Reset	Software Controlled			Hardware Controlled	
		GPI Enabled (Default)	Interrupt Enabled	GPO Enabled	Primary	Alternate
L14	V <sub>DDIO</sub>					
L15	V <sub>DDIO</sub>					
L16	V <sub>DDIO</sub>					
L17	V <sub>DDC</sub>					
L18	GPIB11		GPOB11		$\overline{\text{HCS2}}/\text{HCS2}$	
L19	reserved			$\overline{\text{HCS1}}/\text{HCS1}$		
L20	reserved			HRW or $\overline{\text{HRD}}/\text{HRD}$		
M1	D2					
M2	V <sub>DDM</sub>					
M3	D5					
M4	V <sub>DDM</sub>					
M5	V <sub>DDM</sub>					
M6	GND					
M7	GND					
M8	GND					
M9	GND					
M10	GND					
M11	GND					
M12	GND					
M13	GND					
M14	GND					
M15	GND					
M16	V <sub>DDC</sub>					
M17	V <sub>DDC</sub>					
M18	GPIA14	$\overline{\text{IRQ15}}$	GPOA14	SDA		
M19	GPIA12	$\overline{\text{IRQ3}}$	GPOA12	UTXD		
M20	GPIA13	$\overline{\text{IRQ2}}$	GPOA13	URXD		
N1	D4					
N2	D6					
N3	V <sub>REF</sub>					
N4	V <sub>DDM</sub>					
N5	V <sub>DDM</sub>					
N6	V <sub>DDM</sub>					
N7	GND					
N8	GND					
N9	GND					

Table 1. MSC7116 Signals by Ball Designator (continued)

Number	Signal Names					
	End of Reset	Software Controlled			Hardware Controlled	
		GPI Enabled (Default)	Interrupt Enabled	GPO Enabled	Primary	Alternate
N10	GND					
N11	GND					
N12	GND					
N13	GND					
N14	GND					
N15	V <sub>DDIO</sub>					
N16	V <sub>DDC</sub>					
N17	V <sub>DDC</sub>					
N18	CLKIN					
N19	GPIA15	$\overline{\text{IRQ14}}$	GPOA15	SCL		
N20	V <sub>SSPLL</sub>					
P1	D7					
P2	D17					
P3	D16					
P4	V <sub>DDM</sub>					
P5	V <sub>DDM</sub>					
P6	V <sub>DDM</sub>					
P7	GND					
P8	GND					
P9	GND					
P10	GND					
P11	GND					
P12	GND					
P13	GND					
P14	GND					
P15	V <sub>DDIO</sub>					
P16	V <sub>DDIO</sub>					
P17	V <sub>DDC</sub>					
P18	$\overline{\text{PORESET}}$					
P19	TPSEL					
P20	V <sub>DDPLL</sub>					
R1	GND					
R2	D19					
R3	D18					
R4	V <sub>DDM</sub>					
R5	V <sub>DDM</sub>					

Table 1. MSC7116 Signals by Ball Designator (continued)

Number	Signal Names					
	End of Reset	Software Controlled			Hardware Controlled	
		GPI Enabled (Default)	Interrupt Enabled	GPO Enabled	Primary	Alternate
R6						V <sub>DDM</sub>
R7						GND
R8						V <sub>DDM</sub>
R9						GND
R10						V <sub>DDM</sub>
R11						GND
R12						GND
R13						V <sub>DDIO</sub>
R14						GND
R15						V <sub>DDIO</sub>
R16						V <sub>DDIO</sub>
R17						V <sub>DDC</sub>
R18						TDO
R19		reserved				EE0/DBREQ
R20						TEST0
T1						V <sub>DDM</sub>
T2						D20
T3						D22
T4						V <sub>DDM</sub>
T5						V <sub>DDM</sub>
T6						V <sub>DDC</sub>
T7						V <sub>DDM</sub>
T8						V <sub>DDM</sub>
T9						V <sub>DDC</sub>
T10						V <sub>DDM</sub>
T11						V <sub>DDM</sub>
T12						V <sub>DDIO</sub>
T13						V <sub>DDIO</sub>
T14						V <sub>DDIO</sub>
T15						V <sub>DDIO</sub>
T16						V <sub>DDC</sub>
T17						V <sub>DDC</sub>
T18		reserved				MDIO
T19						TMS
T20						$\overline{\text{HRESET}}$
U1						GND

Table 1. MSC7116 Signals by Ball Designator (continued)

Number	Signal Names					
	End of Reset	Software Controlled			Hardware Controlled	
		GPI Enabled (Default)	Interrupt Enabled	GPO Enabled	Primary	Alternate
U2	D21					
U3	D23					
U4	V <sub>DDM</sub>					
U5	V <sub>DDC</sub>					
U6	V <sub>DDC</sub>					
U7	V <sub>DDC</sub>					
U8	V <sub>DDC</sub>					
U9	V <sub>DDC</sub>					
U10	V <sub>DDC</sub>					
U11	V <sub>DDC</sub>					
U12	V <sub>DDC</sub>					
U13	V <sub>DDC</sub>					
U14	V <sub>DDC</sub>					
U15	V <sub>DDC</sub>					
U16	V <sub>DDC</sub>					
U17	V <sub>DDC</sub>					
U18	reserved				COL	
U19	TCK					
U20	$\overline{\text{TRST}}$					
V1	V <sub>DDM</sub>					
V2	NC					
V3	A13					
V4	A11					
V5	A10					
V6	A5					
V7	A2					
V8	BA0					
V9	NC					
V10	reserved				EVNT0	
V11	SWTE	GPIA16	$\overline{\text{IRQ12}}$	GPOA16	EVNT4	
V12	GPIA8		$\overline{\text{IRQ6}}$	GPOA8	T0TCK	
V13	GPIA4		$\overline{\text{IRQ1}}$	GPOA4	T1RFS	
V14	GPIA0		$\overline{\text{IRQ11}}$	GPOA0	T1TD	
V15	GPIA28		$\overline{\text{IRQ17}}$	GPOA28	TX_ER	reserved
V16	GPID6			GPOD6	RXD2	reserved
V17	GPIA22		$\overline{\text{IRQ22}}$	GPOA22	RXD0	

Table 1. MSC7116 Signals by Ball Designator (continued)

Number	Signal Names					
	End of Reset	Software Controlled			Hardware Controlled	
		GPI Enabled (Default)	Interrupt Enabled	GPO Enabled	Primary	Alternate
V18	GPIA24		$\overline{\text{IRQ}}_{24}$	GPOA24	TX_EN	
V19	reserved				CRS	
V20	TDI					
W1	GND					
W2	$V_{\text{DDM}}$					
W3	A12					
W4	A8					
W5	A7					
W6	A6					
W7	A3					
W8	NC					
W9	GPIA17		$\overline{\text{IRQ}}_{13}$	GPOA17	EVNT1	CLKO
W10	BM0	GPIC14		GPOC14	EVNT2	
W11	GPIA10		$\overline{\text{IRQ}}_5$	GPOA10	T0RFS	
W12	GPIA7		$\overline{\text{IRQ}}_7$	GPOA7	T0TFS	
W13	GPIA3		$\overline{\text{IRQ}}_8$	GPOA3	T1RD	
W14	GPIA1		$\overline{\text{IRQ}}_{10}$	GPOA1	T1TFS	
W15	GPID4			GPOD4	TXD2	reserved
W16	GPIA27		$\overline{\text{IRQ}}_{18}$	GPOA27	RXD3	reserved
W17	GPIA19		$\overline{\text{IRQ}}_{19}$	GPOA19	TXD1	
W18	GPIA23		$\overline{\text{IRQ}}_{23}$	GPOA23	TXCLK or REFCLK	
W19	GPIA26		$\overline{\text{IRQ}}_{26}$	GPOA26	RX_ER	
W20	H8BIT	reserved			MDC	
Y1	$V_{\text{DDM}}$					
Y2	GND					
Y3	A9					
Y4	A1					
Y5	A0					
Y6	A4					
Y7	BA1					
Y8	reserved		$\overline{\text{NMI}}$	reserved		
Y9	BM1	GPIC15		GPOC15	EVNT3	
Y10	GPIA11		$\overline{\text{IRQ}}_4$	GPOA11	T0RCK	
Y11	GPIA9			GPOA9	T0RD	
Y12	GPIA6			GPOA6	T0TD	
Y13	GPIA5		$\overline{\text{IRQ}}_0$	GPOA5	T1RCK	

Table 1. MSC7116 Signals by Ball Designator (continued)

Number	Signal Names					
	End of Reset	Software Controlled			Hardware Controlled	
		GPI Enabled (Default)	Interrupt Enabled	GPO Enabled	Primary	Alternate
Y14	GPIA2	$\overline{\text{IRQ9}}$	GPOA2	T1TCK		
Y15	GPIA29	$\overline{\text{IRQ16}}$	GPOA29	TXD3	reserved	
Y16	GPID5		GPOD5	RXCLK	reserved	
Y17	GPIA20	$\overline{\text{IRQ20}}$	GPOA20	TXD0		
Y18	GPIA21	$\overline{\text{IRQ21}}$	GPOA21	RXD1		
Y19	GND					
Y20	GPIA25	$\overline{\text{IRQ25}}$	GPOA25	RX_DV or CRS_DV		

## 2 Electrical Characteristics

This document contains detailed information on power considerations, DC/AC electrical characteristics, and AC timing specifications. For additional information, see the *MSC711x Reference Manual*.

### 2.1 Maximum Ratings

#### CAUTION

**This device contains circuitry protecting against damage due to high static voltage or electrical fields; however, normal precautions should be taken to avoid exceeding maximum voltage ratings. Reliability is enhanced if unused inputs are tied to an appropriate logic voltage level (for example, either GND or  $V_{DD}$ ).**

In calculating timing requirements, adding a maximum value of one specification to a minimum value of another specification does not yield a reasonable sum. A maximum specification is calculated using a worst case variation of process parameter values in one direction. The minimum specification is calculated using the worst case for the same parameters in the opposite direction. Therefore, a “maximum” value for a specification never occurs in the same device with a “minimum” value for another specification; adding a maximum to a minimum represents a condition that can never exist.

Table 2 describes the maximum electrical ratings for the MSC7116.

**Table 2. Absolute Maximum Ratings**

Rating	Symbol	Value	Unit
Core supply voltage	$V_{DDC}$	1.5	V
Memory supply voltage	$V_{DDM}$	4.0	V
PLL supply voltage	$V_{DDPLL}$	1.5	V
I/O supply voltage	$V_{DDIO}$	-0.2 to 4.0	V
Input voltage	$V_{IN}$	(GND - 0.2) to 4.0	V
Reference voltage	$V_{REF}$	4.0	V
Maximum operating temperature	$T_J$	105	°C
Minimum operating temperature	$T_A$	-40	°C
Storage temperature range	$T_{STG}$	-55 to +150	°C
<b>Notes:</b> <ol style="list-style-type: none"> <li>1. Functional operating conditions are given in <b>Table 3</b>.</li> <li>2. Absolute maximum ratings are stress ratings only, and functional operation at the maximum is not guaranteed. Stress beyond the listed limits may affect device reliability or cause permanent damage.</li> <li>3. <b>Section 3.1, Thermal Design Considerations</b> includes a formula for computing the chip junction temperature (<math>T_J</math>).</li> </ol>			

## 2.2 Recommended Operating Conditions

Table 3 lists recommended operating conditions. Proper device operation outside of these conditions is not guaranteed.

**Table 3. Recommended Operating Conditions**

Rating	Symbol	Value	Unit
Core supply voltage	$V_{DDC}$	1.14 to 1.26	V
Memory supply voltage	$V_{DDM}$	2.38 to 2.63	V
PLL supply voltage	$V_{DDPLL}$	1.14 to 1.26	V
I/O supply voltage	$V_{DDIO}$	3.14 to 3.47	V
Reference voltage	$V_{REF}$	1.19 to 1.31	V
Operating temperature range	$T_J$	maximum: 105	°C
	$T_A$	minimum: -40	°C

## 2.3 Thermal Characteristics

Table 4 describes thermal characteristics of the MSC7116 for the MAP-BGA package.

**Table 4. Thermal Characteristics for MAP-BGA Package**

Characteristic	Symbol	MAP-BGA 17 × 17 mm <sup>5</sup>		Unit
		Natural Convection	200 ft/min (1 m/s) airflow	
Junction-to-ambient <sup>1, 2</sup>	$R_{\theta JA}$	39	31	°C/W
Junction-to-ambient, four-layer board <sup>1, 3</sup>	$R_{\theta JA}$	23	20	°C/W
Junction-to-board <sup>4</sup>	$R_{\theta JB}$	12		°C/W
Junction-to-case <sup>5</sup>	$R_{\theta JC}$	7		°C/W
Junction-to-package-top <sup>6</sup>	$\Psi_{JT}$	2		°C/W
<b>Notes:</b> <ol style="list-style-type: none"> <li>Junction temperature is a function of die size, on-chip power dissipation, package thermal resistance, mounting site (board temperature, ambient temperature, air flow, power dissipation of other components on the board, and board thermal resistance).</li> <li>Per SEMI G38-87 and JEDEC JESD51-2 with the single layer board horizontal.</li> <li>Per JEDEC JESD51-6 with the board horizontal.</li> <li>Thermal resistance between the die and the printed circuit board per JEDEC JESD 51-8. Board temperature is measured on the top surface of the board near the package.</li> <li>Thermal resistance between the die and the case top surface as measured by the cold plate method (MIL SPEC-883 Method 1012.1).</li> <li>Thermal characterization parameter indicating the temperature difference between package top and the junction temperature per JEDEC JESD51-2.</li> </ol>				

Section 3.1, *Thermal Design Considerations* explains these characteristics in detail.

## 2.4 DC Electrical Characteristics

This section describes the DC electrical characteristics for the MSC7116.

**Note:** The leakage current is measured for nominal voltage values must vary in the same direction (for example, both  $V_{DDIO}$  and  $V_{DDC}$  vary by +2 percent or both vary by -2 percent).

**Table 5. DC Electrical Characteristics**

Characteristic	Symbol	Min	Typical	Max	Unit
Core and PLL voltage	$V_{DDC}$ $V_{DDPLL}$	1.14	1.2	1.26	V
DRAM interface I/O voltage <sup>1</sup>	$V_{DDM}$	2.375	2.5	2.625	V
I/O voltage	$V_{DDIO}$	3.135	3.3	3.465	V
DRAM interface I/O reference voltage <sup>2</sup>	$V_{REF}$	$0.49 \times V_{DDM}$	1.25	$0.51 \times V_{DDM}$	V
DRAM interface I/O termination voltage <sup>3</sup>	VTT	$V_{REF} - 0.04$	$V_{REF}$	$V_{REF} + 0.04$	V
Input high CLKIN voltage	$V_{IHCLK}$	2.4	3.0	3.465	V
DRAM interface input high I/O voltage	$V_{IHM}$	$V_{REF} + 0.28$	$V_{DDM}$	$V_{DDM} + 0.3$	V
DRAM interface input low I/O voltage	$V_{ILM}$	-0.3	GND	$V_{REF} - 0.18$	V
Input leakage current, $V_{IN} = V_{DDIO}$	$I_{IN}$	-1.0	0.09	1	μA
$V_{REF}$ input leakage current	$I_{VREF}$	—	—	5	μA

**Table 5. DC Electrical Characteristics (continued)**

Characteristic	Symbol	Min	Typical	Max	Unit
Tri-state (high impedance off state) leakage current, $V_{IN} = V_{DDIO}$	$I_{OZ}$	-1.0	0.09	1	$\mu A$
Signal low input current, $V_{IL} = 0.4 V$	$I_L$	-1.0	0.09	1	$\mu A$
Signal high input current, $V_{IH} = 2.0 V$	$I_H$	-1.0	0.09	1	$\mu A$
Output high voltage, $I_{OH} = -2 mA$ , except open drain pins	$V_{OH}$	2.0	3.0	—	V
Output low voltage, $I_{OL} = 5 mA$	$V_{OL}$	—	0	0.4	V
Typical power at 266 MHz <sup>5</sup>	P	—	293.0	—	mW
<b>Notes:</b> <ol style="list-style-type: none"> <li>1. The value of <math>V_{DDM}</math> at the MSC7116 device must remain within 50 mV of <math>V_{DDM}</math> at the DRAM device at all times.</li> <li>2. <math>V_{REF}</math> must be equal to 50% of <math>V_{DDM}</math> and track <math>V_{DDM}</math> variations as measured at the receiver. Peak-to-peak noise must not exceed <math>\pm 2\%</math> of the DC value.</li> <li>3. <math>V_{TT}</math> is not applied directly to the MSC7116 device. It is the level measured at the far end signal termination. It should be equal to <math>V_{REF}</math>. This rail should track variations in the DC level of <math>V_{REF}</math>.</li> <li>4. Output leakage for the memory interface is measured with all outputs disabled, <math>0 V \leq V_{OUT} \leq V_{DDM}</math>.</li> <li>5. The core power values were measured using a standard EFR pattern at typical conditions (25°C, 300 MHz, 1.2 V core).</li> </ol>					

Table 6 lists the DDR DRAM capacitance.

**Table 6. DDR DRAM Capacitance**

Parameter/Condition	Symbol	Max	Unit
Input/output capacitance: DQ, DQS	$C_{IO}$	30	pF
Delta input/output capacitance: DQ, DQS	$C_{DIO}$	30	pF
<b>Note:</b> These values were measured under the following conditions: <ul style="list-style-type: none"> <li>• <math>V_{DDM} = 2.5 V \pm 0.125 V</math></li> <li>• <math>f = 1 MHz</math></li> <li>• <math>T_A = 25^\circ C</math></li> <li>• <math>V_{OUT} = V_{DDM}/2</math></li> <li>• <math>V_{OUT}</math> (peak to peak) = 0.2 V</li> </ul>			

## 2.5 AC Timings

This section presents timing diagrams and specifications for individual signals and parallel I/O outputs and inputs. All AC timings are based on a 30 pF load, except where noted otherwise, and a 50 Ω transmission line. For any additional pF, use the following equations to compute the delay:

- Standard interface:  $2.45 + (0.054 \times C_{load})$  ns
- DDR interface:  $1.6 + (0.002 \times C_{load})$  ns

### 2.5.1 Clock and Timing Signals

The following tables describe clock signal characteristics. **Table 6** shows the maximum frequency values for internal (core, reference, and peripherals) and external (CLKO) clocks. You must ensure that maximum frequency values are not exceeded (see **Section 2.5.2** for the allowable ranges when using the PLL).

**Table 6. Maximum Frequencies**

Characteristic	Maximum in MHz
Core clock frequency (CLOCK)	266
External output clock frequency (CLKO)	67
Memory clock frequency (CK, $\overline{CK}$ )	133
TDM clock frequency (TxRCK, TxTCK)	50

**Table 7. Clock Frequencies in MHz**

Characteristic	Symbol	Min	Max
CLKIN frequency	$F_{CLKIN}$	10	100
CLOCK frequency	$F_{CORE}$	—	266
CK, $\overline{CK}$ frequency	$F_{CK}$	—	133
TDMxRCK, TDMxTCK frequency	$F_{TDMCK}$	—	50
CLKO frequency	$F_{CKO}$	—	67
AHB/IPBus/APB clock frequency	$F_{BCK}$	—	133
<b>Note:</b> The rise and fall time of external clocks should be 5 ns maximum			

**Table 8. System Clock Parameters**

Characteristic	Min	Max	Unit
CLKIN frequency	10	100	MHz
CLKIN slope	—	5	ns
CLKIN frequency jitter (peak-to-peak)	—	1000	ps
CLKO frequency jitter (peak-to-peak)	—	133	ps

## 2.5.2 Configuring Clock Frequencies

This section describes important requirements for configuring clock frequencies in the MSC7116 device when using the PLL block. To configure the device clocking, you must program four fields in the Clock Control Register (CLKCTL):

- *PLLDVF field.* Specifies the PLL division factor ( $PLLDVF + 1$ ) to divide the input clock frequency  $F_{CLKIN}$ . The output of the divider block is the input to the multiplier block.
- *PLLMLTF field.* Specifies the PLL multiplication factor ( $PLLMLTF + 1$ ). The output from the multiplier block is the loop frequency  $F_{LOOP}$ .
- *RNG field.* Selects the available PLL frequency range for  $F_{VCO}$ , either  $F_{LOOP}$  when the RNG bit is set (1) or  $F_{LOOP}/2$  when the RNG bit is cleared (0).
- *CKSEL field.* Selects  $F_{CLKIN}$ ,  $F_{VCO}$ , or  $F_{VCO}/2$  as the source for the core clock.

There are restrictions on the frequency range permitted at the beginning of the multiplication portion of the PLL that affect the allowable values for the PLLDVF and PLLMLTF fields. The following sections define these restrictions and provide guidelines to configure the device clocking when using the PLL. Refer to the Clock and Power Management chapter in the *MSC711x Reference Manual* for details on the clock programming model.

### 2.5.2.1 PLL Multiplier Restrictions

There are two restrictions for correct usage of the PLL block:

- The input frequency to the PLL multiplier block (that is, the output of the divider) must be in the range 10–25 MHz.
- The output frequency of the PLL multiplier must be in the range 266–532 MHz.

When programming the PLL for a desired output frequency using the PLLDVF, PLLMLTF, and RNG fields, you must meet these constraints.

### 2.5.2.2 Input Division Factors and Corresponding CLKIN Frequency Range

The value of the PLLDVF field determines the allowable CLKIN frequency range, as shown in **Table 9**.

**Table 9. CLKIN Frequency Ranges by Divide Factor Value**

PLLDVF Field Value	Input Divide Factor	CLKIN Frequency Range	Comments
0x00	1	10 to 25 MHz	Input Division by 1
0x01	2	20 to 50 MHz	Input Division by 2
0x02	3	30 to 75 MHz	Input Division by 3
0x03	4	40 to 100 MHz	Input Division by 4
0x04	5	50 to 100 MHz	Input Division by 5
0x05	6	60 to 100 MHz	Input Division by 6
0x06	7	70 to 100 MHz	Input Division by 7
0x07	8	80 to 100 MHz	Input Division by 8
0x08	9	90 to 100 MHz	Input Division by 9
0x09	10	100 MHz	Input Division by 10

**Note:** The maximum CLKIN frequency is 100 MHz. Therefore, the PLLDVF value must be in the range from 1–10.

### 2.5.2.3 Multiplication Factor Range

The multiplier block output frequency ranges depend on the divided input clock frequency as shown in **Table 10**.

**Table 10. PLLMLTF Ranges**

Multiplier Block (Loop) Output Range	Minimum PLLMLTF Value	Maximum PLLMLTF Value
$266 \leq [\text{Divided Input Clock} \times (\text{PLLMLTF} + 1)] \leq 532 \text{ MHz}$	266/Divided Input Clock	532/Divided Input Clock
<b>Note:</b> This table results from the allowed range for $F_{\text{Loop}}$ . The minimum and maximum multiplication factors are dependent on the frequency of the Divided Input Clock.		

### 2.5.2.4 Allowed Core Clock Frequency Range

The frequency delivered to the core, extended core, and peripherals depends on the value of the CLKCTRL[RNG] bit as shown in **Table 11**.

**Table 11.  $F_{\text{VCO}}$  Frequency Ranges**

CLKCTRL[RNG] Value	Allowed Range of $F_{\text{VCO}}$
1	$266 \leq F_{\text{VCO}} \leq 532 \text{ MHz}$
0	$133 \leq F_{\text{VCO}} \leq 266 \text{ MHz}$
<b>Note:</b> This table results from the allowed range for $F_{\text{VCO}}$ , which is $F_{\text{Loop}}$ modified by CLKCTRL[RNG].	

This bit along with the CKSEL determines the frequency range of the core clock.

**Table 12. Resulting Ranges Permitted for the Core Clock**

CLKCTRL[CKSEL]	CLKCTRL[RNG]	Resulting Division Factor	Allowed Range of Core Clock	Comments
11	1	1	Reserved	Reserved
11	0	2	$133 \leq \text{core clock} \leq 266 \text{ MHz}$	Limited by range of PLL
01	1	2	$133 \leq \text{core clock} \leq 266 \text{ MHz}$	Limited by range of PLL
01	0	4	$66.5 \leq \text{core clock} \leq 133 \text{ MHz}$	Limited by range of PLL
<b>Note:</b> This table results from the allowed range for $F_{\text{OUT}}$ , which depends on clock selected via CLKCTRL[CKSEL].				

### 2.5.2.5 Core Clock Frequency Range When Using DDR Memory

The core clock can also be limited by the frequency range of the DDR devices in the system. **Table 13** summarizes this restriction.

**Table 13. Core Clock Ranges When Using DDR**

DDR Type	Allowed Frequency Range for DDR CK	Corresponding Range for the Core Clock	Comments
DDR 200 (PC-1600)	83–100 MHz	$166 \leq \text{core clock} \leq 200 \text{ MHz}$	Core limited to $2 \times$ maximum DDR frequency
DDR 266 (PC-2100) DDR 333 (PC-2600)	83–133 MHz	$166 \leq \text{core clock} \leq 266 \text{ MHz}$	Core limited to $2 \times$ maximum DDR frequency

## 2.5.3 Reset Timing

The MSC7116 device has several inputs to the reset logic. All MSC7116 reset sources are fed into the reset controller, which takes different actions depending on the source of the reset. The reset status register indicates the most recent sources to cause a reset. **Table 14** describes the reset sources.

**Table 14. Reset Sources**

Name	Direction	Description
Power-on reset (PORESET)	Input	Initiates the power-on reset flow that resets the MSC7116 and configures various attributes of the MSC7116. On PORESET, the entire MSC7116 device is reset. SPL and DLL states are reset, HRESET is driven, the SC1400 extended core is reset, and system configuration is sampled. The system is configured only when PORESET is asserted.
External Hard reset (HRESET)	Input/ Output	Initiates the hard reset flow that configures various attributes of the MSC7116. While HRESET is asserted, HRESET is an open-drain output. Upon hard reset, HRESET is driven and the SC1400 extended core is reset.
Software watchdog reset	Internal	When the MSC7116 watchdog count reaches zero, a software watchdog reset is signalled. The enabled software watchdog event then generates an internal hard reset sequence.
Bus monitor reset	Internal	When the MSC7116 bus monitor count reaches zero, a bus monitor hard reset is asserted. The enabled bus monitor event then generates an internal hard reset sequence.
JTAG EXTEST, CLAMP, or HIGHZ command	Internal	When a Test Access Port (TAP) executes an EXTEST, CLAMP, or HIGHZ command, the TAP logic asserts an internal reset signal that generates an internal soft reset sequence.

**Table 15** summarizes the reset actions that occur as a result of the different reset sources.

**Table 15. Reset Actions for Each Reset Source**

Reset Action/Reset Source	Power-On Reset (PORESET)	Hard Reset (HRESET)	Soft Reset (SRESET)
	External only	External or Internal (Software Watchdog or Bus Monitor)	JTAG Command: EXTEST, CLAMP, or HIGHZ
Configuration pins sampled (refer to <b>Section 2.5.3.1</b> for details).	Yes	No	No
PLL and clock synthesis states Reset	Yes	No	No
HRESET Driven	Yes	Yes	No
Software watchdog and bus time-out monitor registers	Yes	Yes	Yes
Clock synthesis modules (STOPCTRL, HLTREQ, and HLTACK) reset	Yes	Yes	Yes
Extended core reset	Yes	Yes	Yes
Peripheral modules reset	Yes	Yes	Yes

### 2.5.3.1 Power-On Reset (PORESET) Pin

Asserting PORESET initiates the power-on reset flow. PORESET must be asserted externally for at least 16 CLKIN cycles after external power to the MSC7116 reaches at least  $2/3 V_{DD}$ .

### 2.5.3.2 Reset Configuration

The MSC7116 has two mechanisms for writing the reset configuration:

- From a host through the host interface (HDI16)
- From memory through the I<sup>2</sup>C interface

Five signal levels (see **Chapter 1** for signal description details) are sampled on  $\overline{\text{PORESET}}$  deassertion to define the boot and operating conditions:

- BM[0–1]
- SWTE
- H8BIT
- HDSP

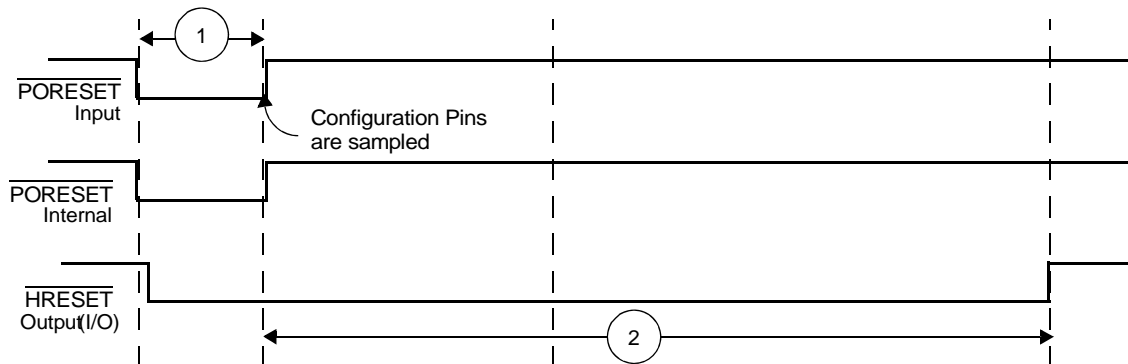
### 2.5.3.3 Reset Timing Tables

**Table 16** and **Figure 4** describe the reset timing for a reset configuration write.

**Table 16. Timing for a Reset Configuration Write**

No.	Characteristics	Expression	Unit
1	Required external $\overline{\text{PORESET}}$ duration minimum	$16/F_{\text{CLKIN}}$	clocks
2	Delay from $\overline{\text{PORESET}}$ deassertion to $\overline{\text{HRESET}}$ deassertion	$521/F_{\text{CLKIN}}$	clocks

**Note:** Timings are not tested, but are guaranteed by design.



**Figure 4. Timing Diagram for a Reset Configuration Write**

## 2.5.4 DDR DRAM Controller Timing

This section provides the AC electrical characteristics for the DDR DRAM interface.

### 2.5.4.1 DDR DRAM Input AC Timing Specifications

Table 17 provides the input AC timing specifications for the DDR DRAM interface.

Table 17. DDR DRAM Input AC Timing

No.	Parameter	Symbol	Min	Max	Unit
—	AC input low voltage	$V_{IL}$	—	$V_{REF} - 0.31$	V
—	AC input high voltage	$V_{IH}$	$V_{REF} + 0.31$	$V_{DDM} + 0.3$	V
201	Maximum Dn input setup skew relative to DQSn input	—	—	900	ps
202	Maximum Dn input hold skew relative to DQSn input	—	—	900	ps

**Notes:**

1. Maximum possible skew between a data strobe (DQSn) and any corresponding bit of data (D[8n + {0...7}] if  $0 \leq n \leq 7$ ).
2. See Table 18 for  $t_{CK}$  value.
3. Dn should be driven at the same time as DQSn. This is necessary because the DQSn centering on the DQn data tenure is done internally.

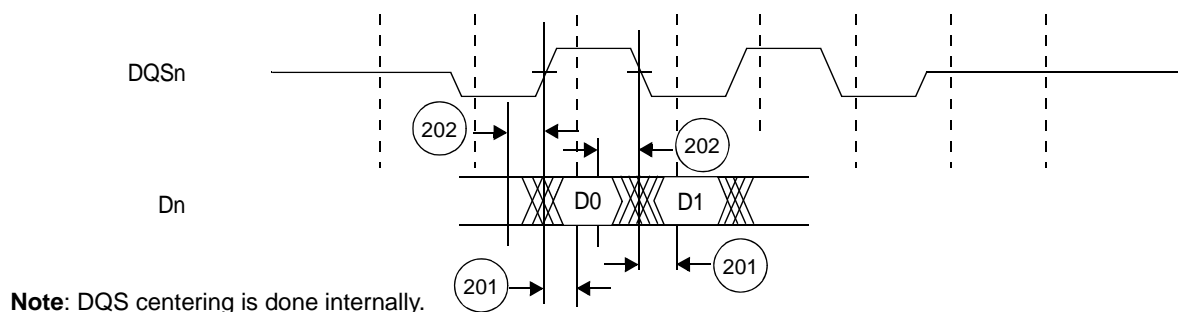


Figure 5. DDR DRAM Input Timing Diagram

### 2.5.4.2 DDR DRAM Output AC Timing Specifications

Table 18 and Table 19 list the output AC timing specifications and measurement conditions for the DDR DRAM interface.

Table 18. DDR DRAM Output AC Timing

No.	Parameter	Symbol	Min	Max	Unit
200	CK cycle time, (CK/ $\overline{CK}$ crossing) <sup>1</sup> • 100 MHz (DDR200) • 150 MHz (DDR300)	$t_{CK}$	10 6.67	— —	ns ns
204	$\overline{An}/\overline{RAS}/\overline{CAS}/\overline{WE}/\overline{CKE}$ output setup with respect to CK	$t_{DDKHAS}$	$0.5 \times t_{CK} - 1000$	—	ps
205	$\overline{An}/\overline{RAS}/\overline{CAS}/\overline{WE}/\overline{CKE}$ output hold with respect to CK	$t_{DDKHAX}$	$0.5 \times t_{CK} - 1000$	—	ps
206	$\overline{CSn}$ output setup with respect to CK	$t_{DDKHCS}$	$0.5 \times t_{CK} - 1000$	—	ps
207	$\overline{CSn}$ output hold with respect to CK	$t_{DDKHCSX}$	$0.5 \times t_{CK} - 1000$	—	ps
208	CK to DQSn <sup>2</sup>	$t_{DDKHMH}$	-600	600	ps

Table 18. DDR DRAM Output AC Timing (continued)

No.	Parameter	Symbol	Min	Max	Unit
209	Dn/DQMn output setup with respect to DQSn <sup>3</sup>	$t_{DDKHDS}$ , $t_{DDKLDS}$	$0.25 \times t_{CK} - 750$	—	ps
210	Dn/DQMn output hold with respect to DQSn <sup>3</sup>	$t_{DDKHDX}$ , $t_{DDKLDX}$	$0.25 \times t_{CK} - 750$	—	ps
211	DQSn preamble start <sup>4</sup>	$t_{DDKHMP}$	$-0.25 \times t_{CK}$	—	ps
212	DQSn epilogue end <sup>5</sup>	$t_{DDKHME}$	-600	600	ps

- Notes:**
- All  $\overline{CK}/\overline{CK}$  referenced measurements are made from the crossing of the two signals  $\pm 0.1$  V.
  - $t_{DDKHMH}$  can be modified through the TCFG2[WRDD] DQSS override bits. The DRAM requires that the first write data strobe arrives 75–125% of a DRAM cycle after the write command is issued. Any skew between DQSn and CK must be considered when trying to achieve this 75%–125% goal. The TCFG2[WRDD] bits can be used to shift DQSn by 1/4 DRAM cycle increments. The skew in this case refers to an internal skew existing at the signal connections. By default, the  $\overline{CK}/\overline{CK}$  crossing occurs in the middle of the control signal ( $\overline{An}/\overline{RAS}/\overline{CAS}/\overline{WE}/\overline{CKE}$ ) tenure. Setting TCFG2[ACSM] bit shifts the control signal assertion 1/2 DRAM cycle earlier than the default timing. This means that the signal is asserted no earlier than 600 ps before the  $\overline{CK}/\overline{CK}$  crossing and no later than 600 ps after the crossing time; the device uses 1200 ps of the skew budget (the interval from -600 to +600 ps). Timing is verified by referencing the falling edge of CK. See Chapter 10 of the *MSC711x Reference Manual* for details.
  - Determined by maximum possible skew between a data strobe (DQS) and any corresponding bit of data. The data strobe should be centered inside of the data eye.
  - Please note that this spec is in reference to the DQSn first rising edge. It could also be referenced from  $\overline{CK}(r)$ , but due to programmable delay of the write strobes (TCFG2[WRDD]), there pre-amble may be extended for a full DRAM cycle. For this reason, we reference from DQSn.
  - All outputs are referenced to the rising edge of CK. Note that this is essentially the  $\overline{CK}/\overline{CK}$  skew in spec 208. In addition there is no real “maximum” time for the epilogue end. JEDEC does not require this is as a device limitation, but simply for the chip to guarantee fast enough write-to-read turn-around times. This is already guaranteed by the memory controller operation.

Figure 6 shows the DDR DRAM output timing diagram.

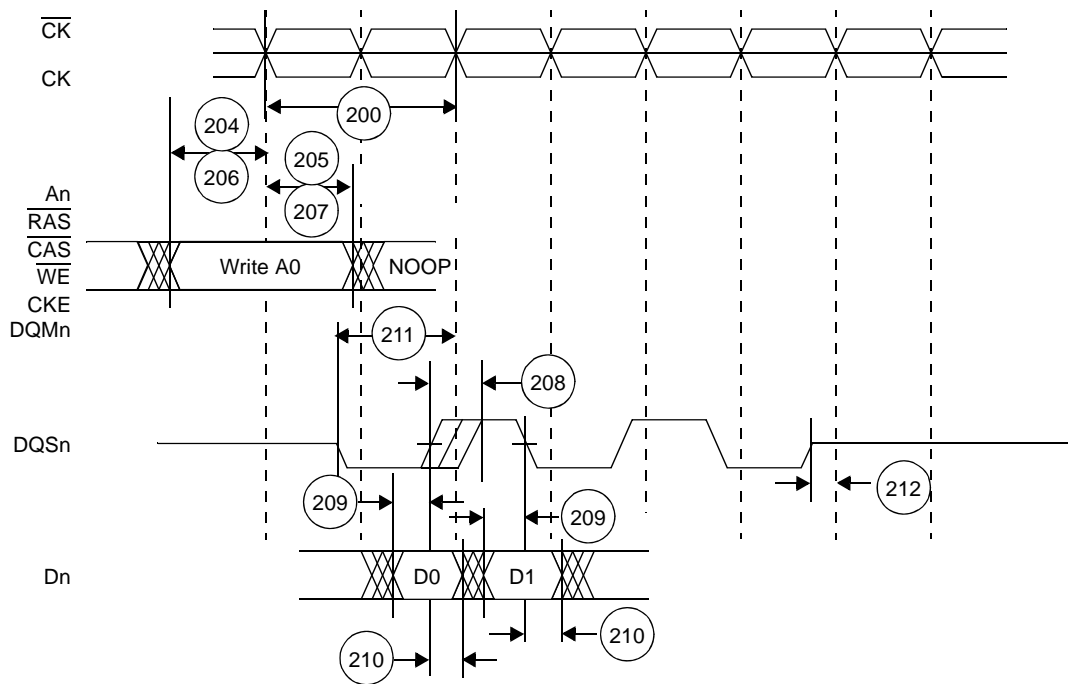


Figure 6. DDR DRAM Output Timing Diagram

Figure 7 provides the AC test load for the DDR DRAM bus.

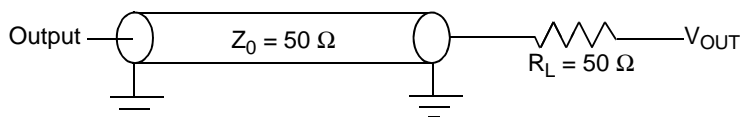


Figure 7. DDR DRAM AC Test Load

Table 19. DDR DRAM Measurement Conditions

Symbol	DDR DRAM	Unit
$V_{TH}^1$	$V_{REF} \pm 0.31 V$	V
$V_{OUT}^2$	$0.5 \times V_{DDM}$	V

**Notes:** 1. Data input threshold measurement point.  
2. Data output measurement point.

## 2.5.5 TDM Timing

Table 20. TDM Timing

No.	Characteristic	Expression	Min	Max	Units
300	TDMxRCK/TDMxTCK	TC	20.0	—	ns
301	TDMxRCK/TDMxTCK High Pulse Width	$0.4 \times TC$	8.0	—	ns
302	TDMxRCK/TDMxTCK Low Pulse Width	$0.4 \times TC$	8.0	—	ns
303	TDM all input Setup time		3.0	—	ns
304	TDMxRD Hold time		3.5	—	ns
305	TDMxTFS/TDMxRFS input Hold time		2.0	—	ns
306	TDMxTCK High to TDMxTD output active		4.0	—	ns
307	TDMxTCK High to TDMxTD output valid		—	14.0	ns
308	TDMxTD hold time		2.0	—	ns
309	TDMxTCK High to TDMxTD output high impedance		—	10.0	ns
310	TDMxTFS/TDMxRFS output valid		—	13.5	ns
311	TDMxTFS/TDMxRFS output hold time		2.5	—	ns

**Notes:** 1. Output values are based on 30 pF capacitive load.  
2. Inputs are referenced to the sampling that the TDM is programmed to use. Outputs are referenced to the programming edge they are programmed to use. Use of the rising edge or falling edge as a reference is programmable. Refer to the *MSC711x Reference Manual* for details. TDMxTCK and TDMxRCK are shown using the rising edge.

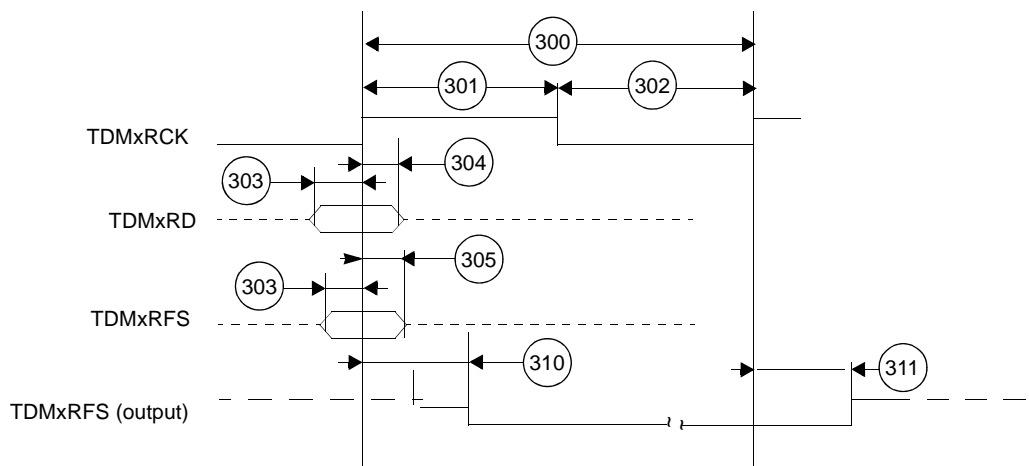


Figure 8. TDM Receive Signals

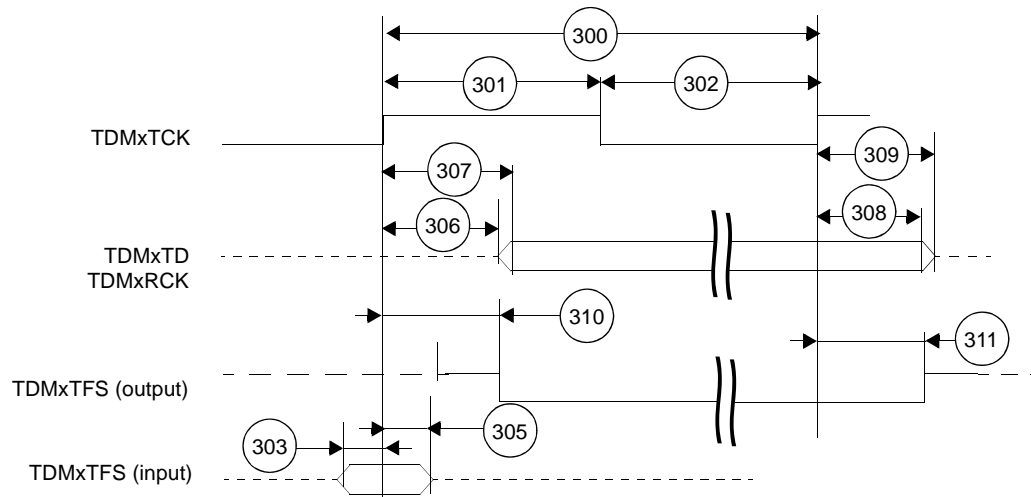


Figure 9. TDM Transmit Signals

## 2.5.6 Ethernet Timing

### 2.5.6.1 Receive Signal Timing

Table 21. Receive Signal Timing

No.	Characteristics	Min	Max	Unit
800	Receive clock period: • MII: RXCLK (max frequency = 25 MHz) • RMII: REFCLK (max frequency = 50 MHz)	40 20	— —	ns ns
801	Receive clock pulse width high—as a percent of clock period • MII: RXCLK • RMII: REFCLK	35 14 7	65 — —	% ns ns
802	Receive clock pulse width low—as a percent of clock period: • MII: RXCLK • RMII: REFCLK	35 14 7	65 — —	% ns ns
803	RXDn, RX_DV, CRS_DV, RX_ER to receive clock rising edge setup time	4	—	ns
804	Receive clock rising edge to RXDn, RX_DV, CRS_DV, RX_ER hold time	2	—	ns

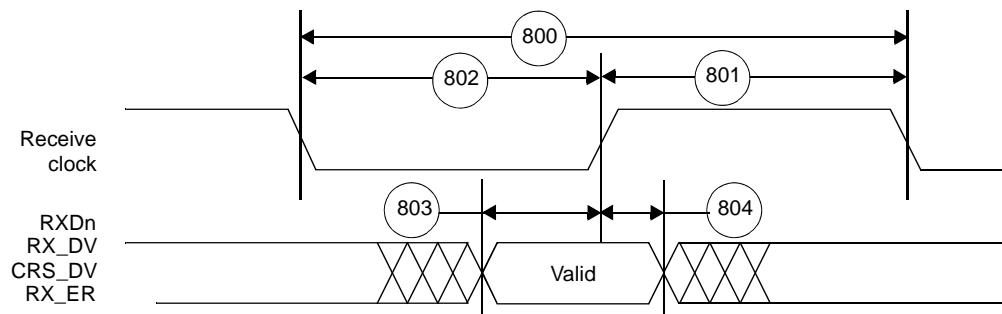


Figure 10. Ethernet Receive Signal Timing

### 2.5.6.2 Transmit Signal Timing

Table 22. Transmit Signal Timing

No.	Characteristics	Min	Max	Unit
800	Transmit clock period: • MII: TXCLK • RMI: REFCLK	40	—	ns
		20	—	ns
801	Transmit clock pulse width high—as a percent of clock period • MII: RXCLK • RMI: REFCLK	35	65	%
		14	—	ns
		7	—	ns
802	Transmit clock pulse width low—as a percent of clock period: • MII: RXCLK • RMI: REFCLK	35	65	%
		14	—	ns
		7	—	ns
805	Transmit clock to TXDn, TX_EN, TX_ER invalid	4	—	ns
806	Transmit clock to TXDn, TX_EN, TX_ER valid	—	14	ns

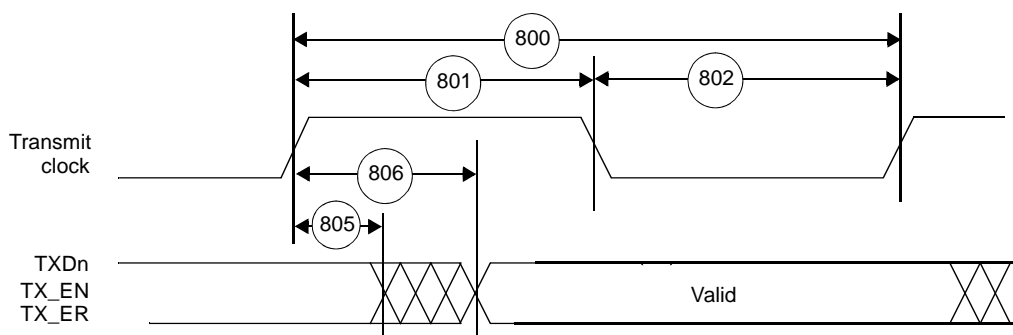


Figure 11. Ethernet Receive Signal Timing

### 2.5.6.3 Asynchronous Input Signal Timing

Table 23. Asynchronous Input Signal Timing

No.	Characteristics	Min	Max	Unit
807	• MII: CRS and COL minimum pulse width ( $1.5 \times \text{TXCLK}$ period) • RMI: CRS_DV minimum pulse width ( $1.5 \times \text{REFCLK}$ period)	60	—	ns
		30	—	ns

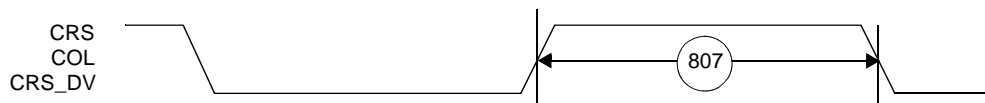


Figure 12. Asynchronous Input Signal Timing

## 2.5.6.4 Management Interface Timing

Table 24. Ethernet Controller Management Interface Timing

No.	Characteristics	Min	Max	Unit
808	MDC period	400	—	ns
809	MDC pulse width high	160	—	ns
810	MDC pulse width low	160	—	ns
811	MDS falling edge to MDIO output invalid (minimum propagation delay)	0	—	ns
812	MDS falling edge to MDIO output valid (maximum propagation delay)	—	15	ns
813	MDIO input to MDC rising edge setup time	10	—	ns
814	MDC rising edge to MDIO input hold time	10	—	ns

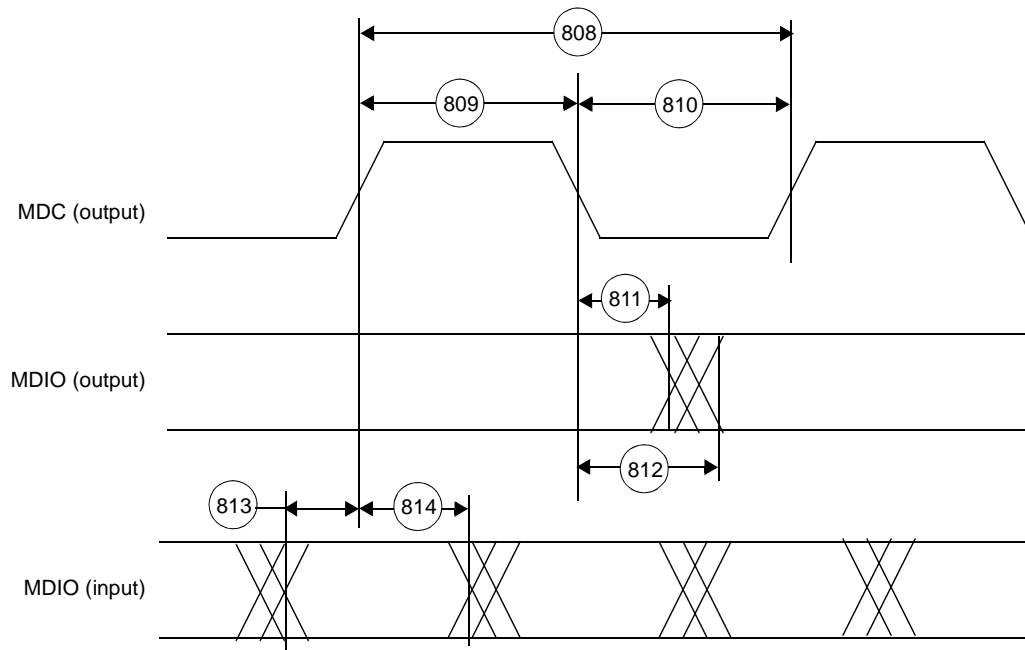


Figure 13. Serial Management Channel Timing

## 2.5.7 HDI16 Signals

Table 25. Host Interface (HDI16) Timing<sup>1, 2</sup>

No.	Characteristics <sup>3</sup>	Expression	Value	Unit
40	Host Interface Clock period	$T_{CORE}$	Note 1	ns
44a	Read data strobe minimum assertion width <sup>4</sup> HACK read minimum assertion width	$2.0 \times T_{CORE} + 9.0$	Note 11	ns
44b	Read data strobe minimum deassertion width <sup>4</sup> HACK read minimum deassertion width	$1.5 \times T_{CORE}$	Note 11	ns
44c	Read data strobe minimum deassertion width <sup>4</sup> after "Last Data Register" reads <sup>5,6</sup> , or between two consecutive CVR, ICR, or ISR reads <sup>7</sup> HACK minimum deassertion width after "Last Data Register" reads <sup>5,6</sup>	$2.5 \times T_{CORE}$	Note 11	ns
45	Write data strobe minimum assertion width <sup>8</sup> HACK write minimum assertion width	$1.5 \times T_{CORE}$	Note 11	ns
46	Write data strobe minimum deassertion width <sup>8</sup> HACK write minimum deassertion width after ICR, CVR and Data Register writes <sup>5</sup>	$2.5 \times T_{CORE}$	Note 11	ns
47	Host data input minimum setup time before write data strobe deassertion <sup>8</sup> Host data input minimum setup time before HACK write deassertion	—	2.5	ns
48	Host data input minimum hold time after write data strobe deassertion <sup>8</sup> Host data input minimum hold time after HACK write deassertion	—	2.5	ns
49	Read data strobe minimum assertion to output data active from high impedance <sup>4</sup> HACK read minimum assertion to output data active from high impedance	—	1.0	ns
50	Read data strobe maximum assertion to output data valid <sup>4</sup> HACK read maximum assertion to output data valid	$(2.0 \times T_{CORE}) + 8.0$	Note 11	ns
51	Read data strobe maximum deassertion to output data high impedance <sup>4</sup> HACK read maximum deassertion to output data high impedance	—	9.0	ns
52	Output data minimum hold time after read data strobe deassertion <sup>4</sup> Output data minimum hold time after HACK read deassertion	—	1.0	ns
53	HCS[1–2] minimum assertion to read data strobe assertion <sup>4</sup>	—	0.5	ns
54	HCS[1–2] minimum assertion to write data strobe assertion <sup>8</sup>	—	0.0	ns
55	HCS[1–2] maximum assertion to output data valid	$(2.0 \times T_{CORE}) + 6.0$	Note 11	ns
56	HCS[1–2] minimum hold time after data strobe deassertion <sup>9</sup>	—	0.5	ns
57	HA[0–2], HRW minimum setup time before data strobe assertion <sup>9</sup>	—	5.0	ns
58	HA[0–2], HRW minimum hold time after data strobe deassertion <sup>9</sup>	—	5.0	ns
61	Maximum delay from read data strobe deassertion to host request deassertion for "Last Data Register" read <sup>4, 5, 10</sup>	$(3.0 \times T_{CORE}) + 6.0$	Note 11	ns
62	Maximum delay from write data strobe deassertion to host request deassertion for "Last Data Register" write <sup>5,8,10</sup>	$(3.0 \times T_{CORE}) + 6.0$	Note 11	ns
63	Minimum delay from DMA HACK (OAD=0) or Read/Write data strobe(OAD=1) deassertion to HREQ assertion.	$(2.0 \times T_{CORE}) + 1.0$	Note 11	ns
64	Maximum delay from DMA HACK (OAD=0) or Read/Write data strobe(OAD=1) assertion to HREQ deassertion	$(5.0 \times T_{CORE}) + 6.0$	Note 11	ns

- Notes:**
- $T_{CORE}$  = core clock period. At 300 MHz,  $T_{CORE}$  = 3.333 ns.
  - In the timing diagrams below, the controls pins are drawn as active low. The pin polarity is programmable.
  - $V_{DD} = 3.3 \text{ V} \pm 0.15 \text{ V}$ ;  $T_J = -40^\circ\text{C}$  to  $+105^\circ\text{C}$ ,  $C_L = 30 \text{ pF}$  for maximum delay timings and  $C_L = 0 \text{ pF}$  for minimum delay timings.
  - The read data strobe is HRD/HRD in the dual data strobe mode and HDS/HDS in the single data strobe mode.
  - For 64-bit transfers, the "last data register" is the register at address 0x7, which is the last location to be read or written in data transfers. This is RX0/TX0 in the little endian mode (HBE = 0), or RX3/TX3 in the big endian mode (HBE = 1).
  - This timing is applicable only if a read from the "last data register" is followed by a read from the RX[0–3] registers without first polling RXDF or HREQ bits, or waiting for the assertion of the HREQ/HREQ signal.
  - This timing is applicable only if two consecutive reads from one of these registers are executed.
  - The write data strobe is HWR in the dual data strobe mode and HDS in the single data strobe mode.
  - The data strobe is host read (HRD/HRD) or host write (HWR/HWR) in the dual data strobe mode and host data strobe (HDS/HDS) in the single data strobe mode.
  - The host request is HREQ/HREQ in the single host request mode and HRRQ/HRRQ and HTRQ/HTRQ in the double host request mode. HRRQ/HRRQ is deasserted only when HOTX fifo is empty, HTRQ/HTRQ is deasserted only if HORX fifo is full
  - Compute the value using the expression.
  - The read and write data strobe minimum deassertion width for non-"last data register" accesses in single and dual data strobe modes is based on timings 57 and 58.

Figure 14 and Figure 15 show HDI16 read signal timing. Figure 16 and Figure 17 show HDI16 write signal timing.

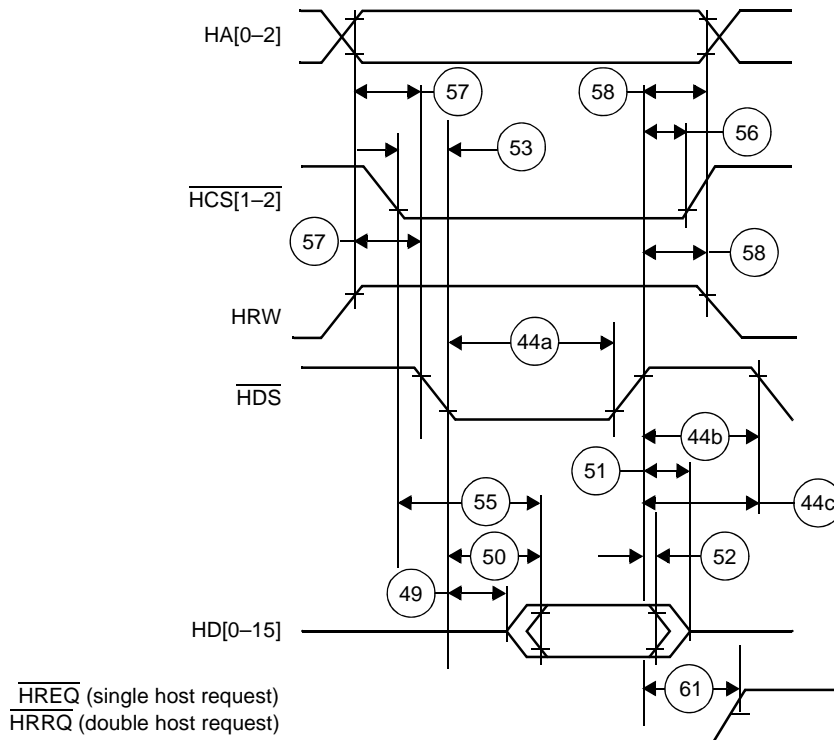


Figure 14. Read Timing Diagram, Single Data Strobe

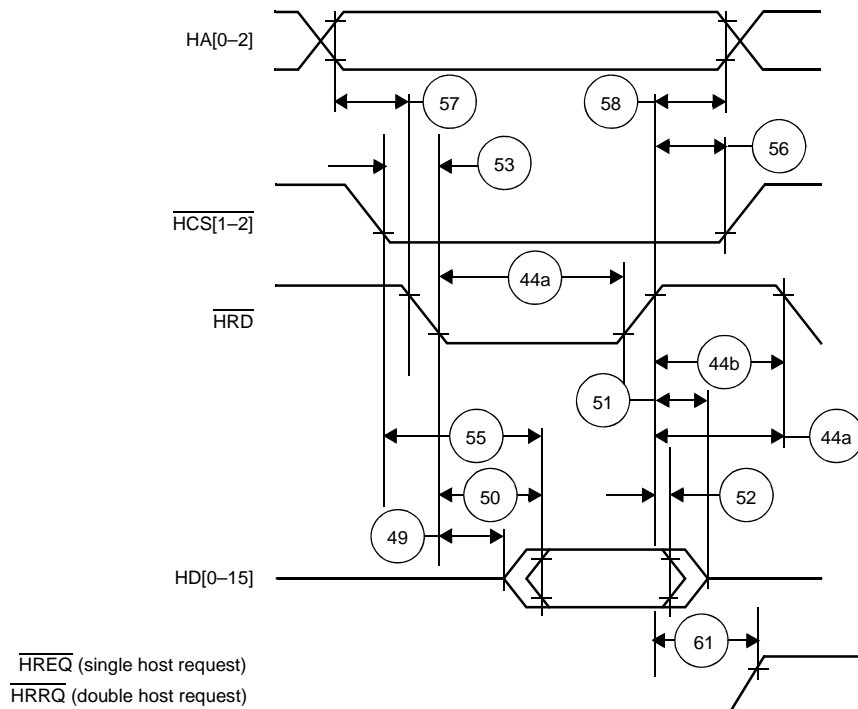
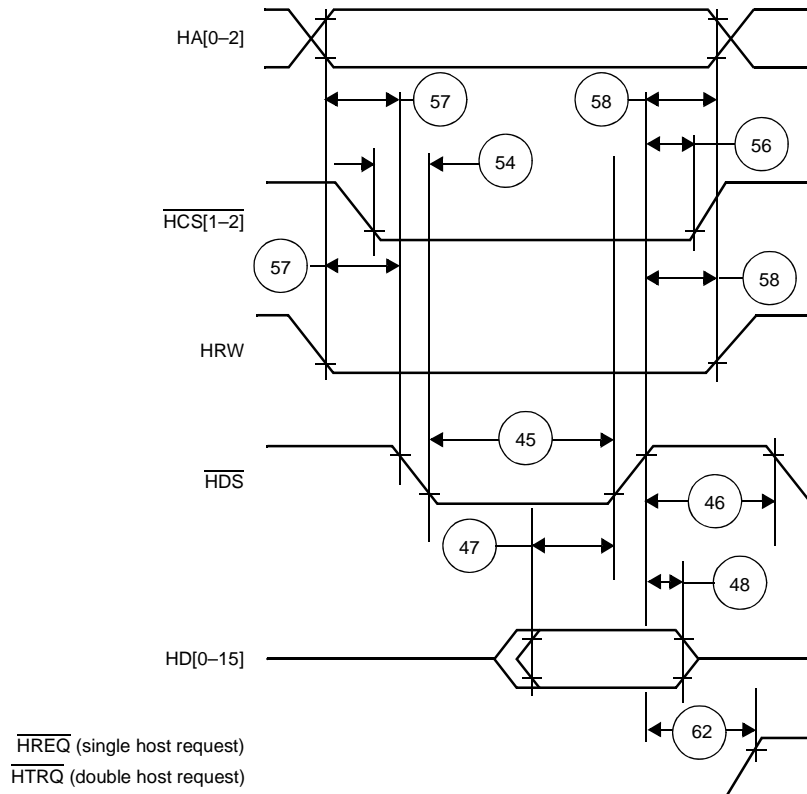
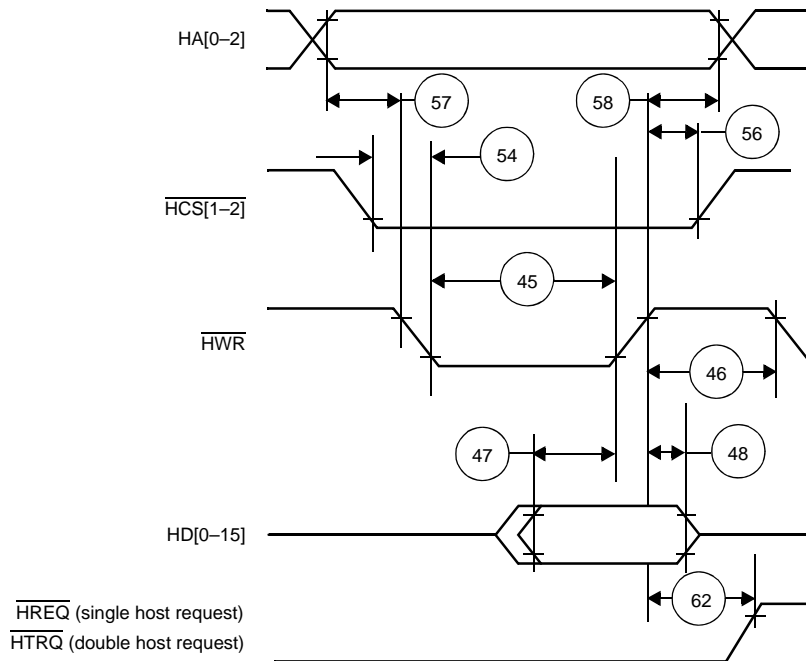


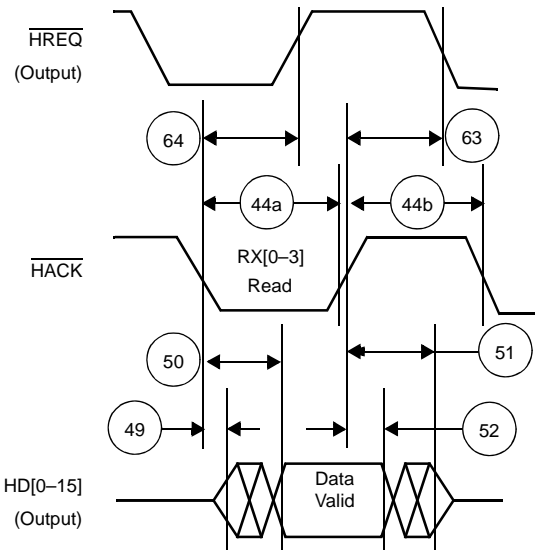
Figure 15. Read Timing Diagram, Double Data Strobe



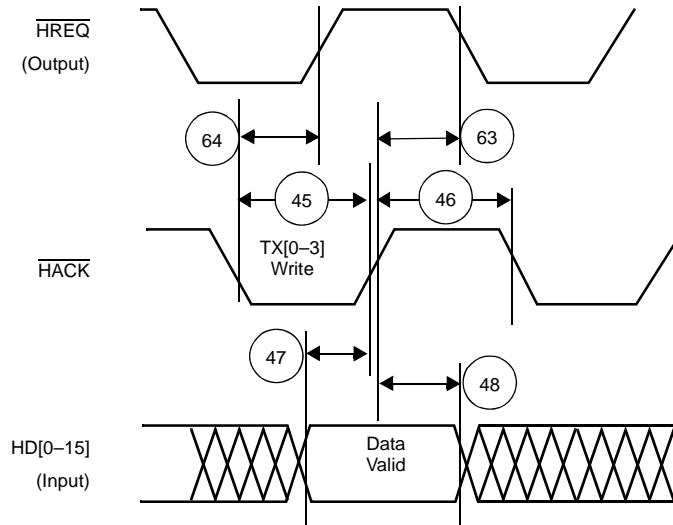
**Figure 16. Write Timing Diagram, Single Data Strobe**



**Figure 17. Write Timing Diagram, Double Data Strobe**



**Figure 18. Host DMA Read Timing Diagram, HPCR[OAD] = 0**



**Figure 19. Host DMA Write Timing Diagram, HPCR[OAD] = 0**

## 2.5.8 I<sup>2</sup>C Timing

Table 26. I<sup>2</sup>C Timing

No.	Characteristic	Fast		Unit
		Min	Max	
450	SCL clock frequency	0	400	kHz
451	Hold time START condition	$(\text{SCL clock period}/2) - 0.3$	—	$\mu\text{s}$
452	SCL low period	$(\text{SCL clock period}/2) - 0.3$	—	$\mu\text{s}$
453	SCL high period	$(\text{SCL clock period}/2) - 0.1$	—	$\mu\text{s}$
454	Repeated START set-up time (not shown in figure)	$2 \times 1/F_{\text{BCK}}$	—	$\mu\text{s}$
455	Data hold time	0	—	$\mu\text{s}$
456	Data set-up time	250	—	ns
457	SDA and SCL rise time	—	700	ns
458	SDA and SCL fall time	—	300	ns
459	Set-up time for STOP	$(\text{SCL clock period}/2) - 0.7$	—	$\mu\text{s}$
460	Bus free time between STOP and START	$(\text{SCL clock period}/2) - 0.3$	—	$\mu\text{s}$

**Note:** SDA set-up time is referenced to the rising edge of SCL. SDA hold time is referenced to the falling edge of SCL. Load capacitance on SDA and SCL is 400 pF.

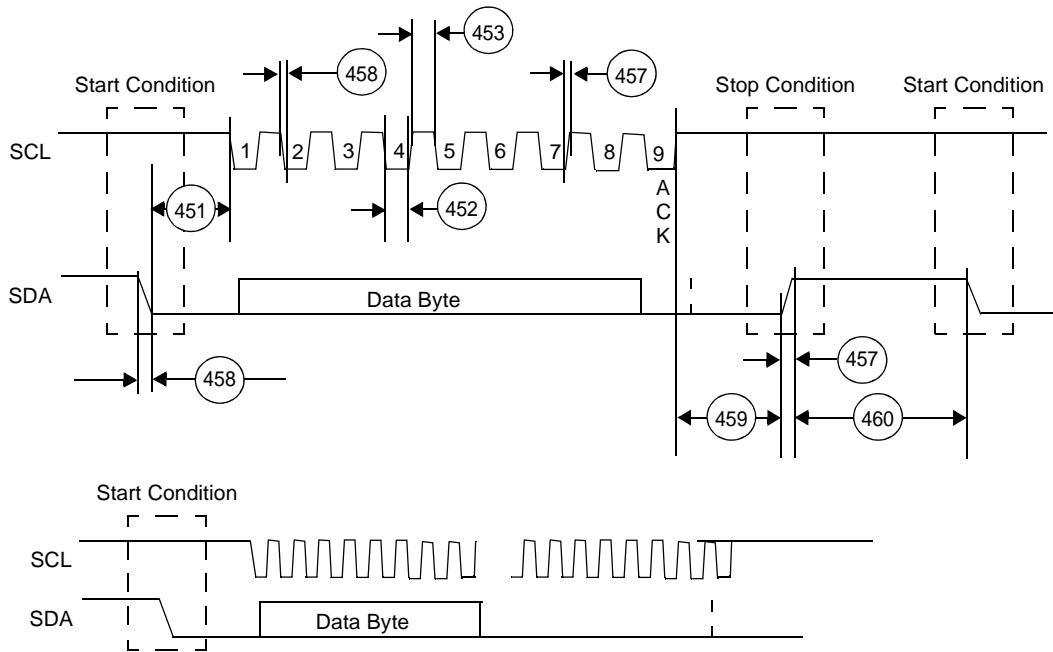


Figure 20. I<sup>2</sup>C Timing Diagram

## 2.5.9 UART Timing

Table 27. UART Timing

No.	Characteristics	Expression	Min	Max	Unit
—	Internal bus clock (APBCLK)	$F_{CORE}/2$	—	133	MHz
—	Internal bus clock period (1/APBCLK)	$T_{APBCLK}$	7.52	—	ns
400	URXD and UTXD inputs high/low duration	$16 \times T_{APBCLK}$	120.3	—	ns
401	URXD and UTXD inputs rise/fall time		—	5	ns
402	UTXD output rise/fall time		—	5	ns

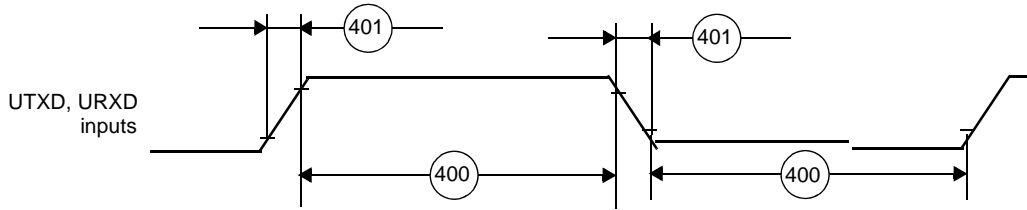


Figure 21. UART Input Timing

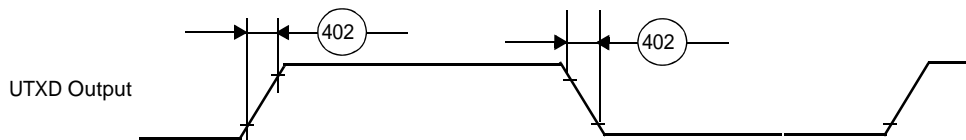


Figure 22. UART Output Timing

## 2.5.10 EE Timing

Table 28. EE0 Timing

Number	Characteristics	Type	Min
65	EE0 input to the core	Asynchronous	4 core clock periods
66	EE0 output from the core	Synchronous to core clock	1 core clock period

**Notes:**

1. The core clock is the SC1400 core clock. The ratio between the core clock and CLKOUT is configured during power-on-reset.
2. Configure the direction of the EE pin in the EE\_CTRL register (see the *SC140/SC1400 Core Reference Manual* for details).
3. Refer to **Table 1-11** on page 1-16 for details on EE pin functionality.

Figure 24 shows the signal behavior of the EE pin.

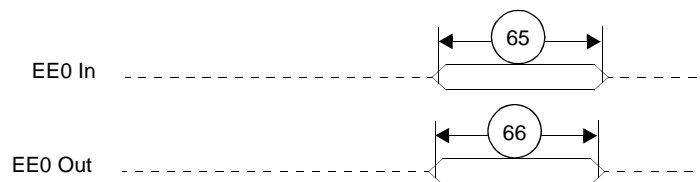


Figure 23. EE Pin Timing

## 2.5.11 Event Timing

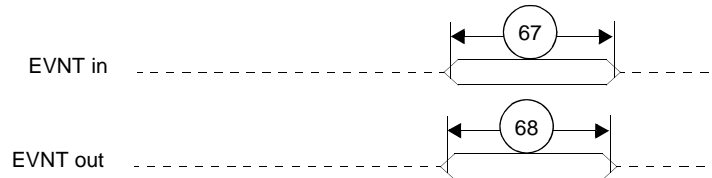
**Table 29. EVNT Signal Timing**

Number	Characteristics	Type	Min
67	EVNT as input	Asynchronous	1.5 × APBCLK periods
68	EVNT as output	Synchronous to core clock	1 APBCLK period

**Notes:**

1. Refer to **Table 27** for a definition of the APBCLK period.
2. Direction of the EVNT signal is configured through the GPIO and Event port registers.
3. Refer to the signal chapter in the *MSC711x Reference Manual* for details on EVNT pin functionality.

**Figure 24** shows the signal behavior of the EVNT pins.



**Figure 24. EVNT Pin Timing**

## 2.5.12 GPIO Timing

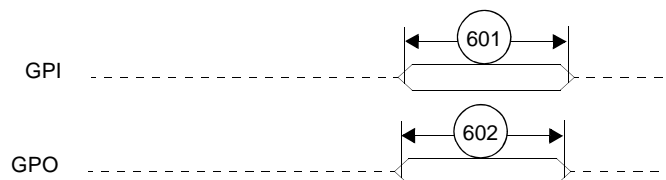
**Table 30. GPIO Signal Timing<sup>1,2,3</sup>**

Number	Characteristics	Type	Min
601	GPI <sup>4,5</sup>	Asynchronous	1.5 × APBCLK periods
602	GPO <sup>5</sup>	Synchronous to core clock	1 APBCLK period
603	Port A edge-sensitive interrupt	Asynchronous	1.5 × APBCLK periods
604	Port A level-sensitive interrupt	Asynchronous	3 × APBCLK periods <sup>6</sup>

**Notes:**

1. Refer to **Table 27** for a definition of the APBCLK period.
2. Direction of the GPIO signal is configured through the GPIO port registers.
3. Refer to **Section 1.5** for details on GPIO pin functionality.
4. GPI data is synchronized to the APBCLK internally and the minimum listed is the capability of the hardware to capture data into a register when the GPADR is read. The specification is not tested due to the asynchronous nature of the input and dependence on the state of the DSP core. It is guaranteed by design.
5. The output signals cannot toggle faster than 75 MHz.
6. Level-sensitive interrupts should be held low until the system determines (via the service routine) that the interrupt is acknowledged.

**Figure 25** shows the signal behavior of the GPI/GPO pins.



**Figure 25. GPI/GPO Pin Timing**

## 2.5.13 JTAG Signals

Table 31. JTAG Timing

No.	Characteristics	All frequencies		Unit
		Min	Max	
700	TCK frequency of operation ( $1/(T_C \times 3)$ ) <b>Note:</b> $T_C = 1/\text{CLOCK}$ which is the period of the core clock. The TCK frequency must less than 1/3 of the core frequency with an absolute maximum limit of 40 MHz.	0.0	40.0	MHz
701	TCK cycle time	25.0	—	ns
702	TCK clock pulse width measured at $V_M = 1.6\text{ V}$	11.0	—	ns
703	TCK rise and fall times	0.0	3.0	ns
704	Boundary scan input data set-up time	5.0	—	ns
705	Boundary scan input data hold time	14.0	—	ns
706	TCK low to output data valid	0.0	20.0	ns
707	TCK low to output high impedance	0.0	20.0	ns
708	TMS, TDI data set-up time	5.0	—	ns
709	TMS, TDI data hold time	14.0	—	ns
710	TCK low to TDO data valid	0.0	24.0	ns
711	TCK low to TDO high impedance	0.0	10.0	ns
712	$\overline{\text{TRST}}$ assert time	100.0	—	ns

**Note:** All timings apply to OCE module data transfers as the OCE module uses the JTAG port as an interface.

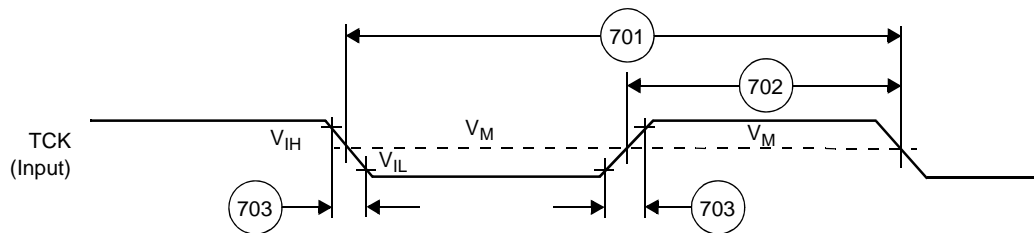
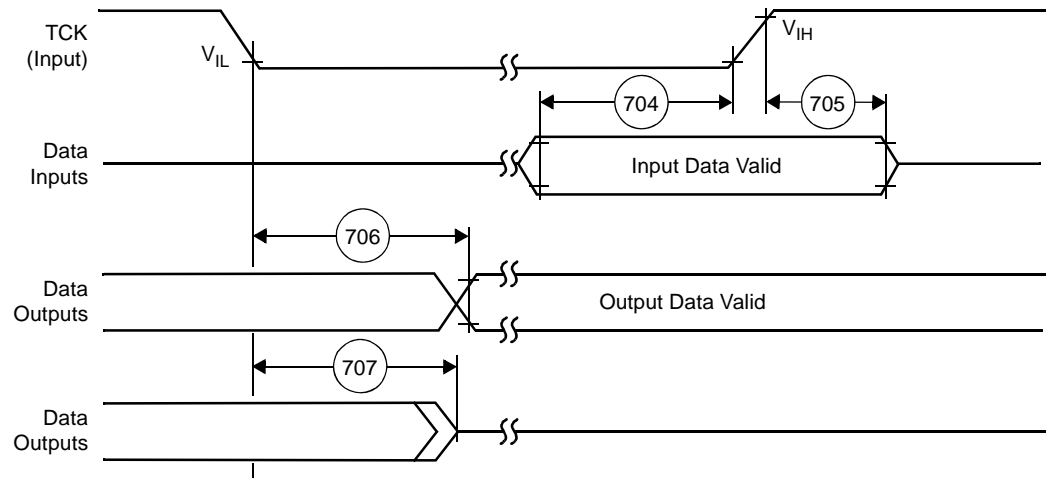
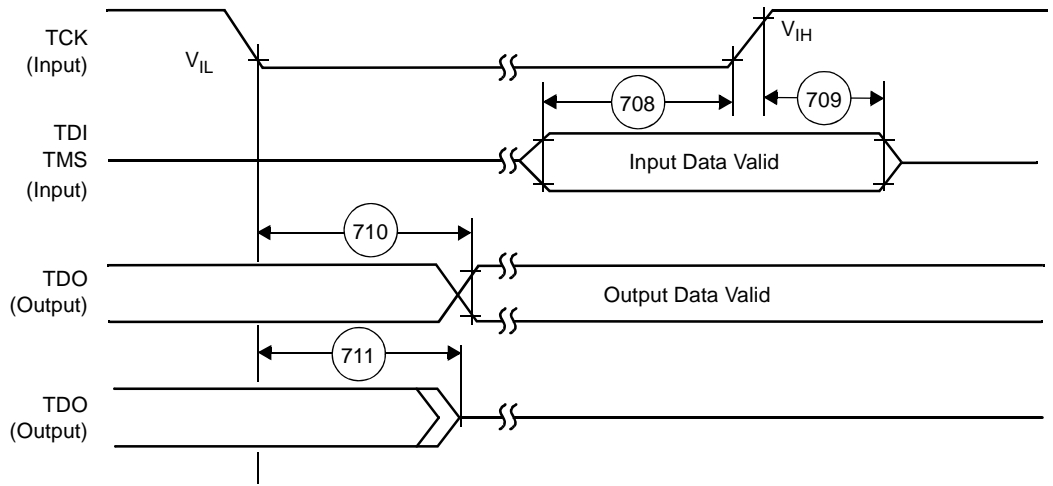


Figure 26. Test Clock Input Timing Diagram



**Figure 27. Boundary Scan (JTAG) Timing Diagram**



**Figure 28. Test Access Port Timing Diagram**



**Figure 29. TRST Timing Diagram**

## 3 Hardware Design Considerations

This section described various areas to consider when incorporating the MSC7116 device into a system design.

### 3.1 Thermal Design Considerations

An estimation of the chip-junction temperature,  $T_J$ , in °C can be obtained from the following:

$$T_J = T_A + (R_{\theta JA} \times P_D) \quad \text{Eqn. 1}$$

where

$T_A$  = ambient temperature near the package (°C)

$R_{\theta JA}$  = junction-to-ambient thermal resistance (°C/W)

$P_D = P_{INT} + P_{I/O}$  = power dissipation in the package (W)

$P_{INT} = I_{DD} \times V_{DD}$  = internal power dissipation (W)

$P_{I/O}$  = power dissipated from device on output pins (W)

The power dissipation values for the MSC7116 are listed in **Table 4**. The ambient temperature for the device is the air temperature in the immediate vicinity that would cool the device. The junction-to-ambient thermal resistances are JEDEC standard values that provide a quick and easy estimation of thermal performance. There are two values in common usage: the value determined on a single layer board and the value obtained on a board with two planes. The value that more closely approximates a specific application depends on the power dissipated by other components on the printed circuit board (PCB). The value obtained using a single layer board is appropriate for tightly packed PCB configurations. The value obtained using a board with internal planes is more appropriate for boards with low power dissipation (less than 0.02 W/cm<sup>2</sup> with natural convection) and well separated components. Based on an estimation of junction temperature using this technique, determine whether a more detailed thermal analysis is required. Standard thermal management techniques can be used to maintain the device thermal junction temperature below its maximum. If  $T_J$  appears to be too high, either lower the ambient temperature or the power dissipation of the chip.

You can verify the junction temperature by measuring the case temperature using a small diameter thermocouple (40 gauge is recommended) or an infrared temperature sensor on a spot on the device case. Use the following equation to determine  $T_J$ :

$$T_J = T_T + (\Psi_{JT} \times P_D) \quad \text{Eqn. 2}$$

where

$T_T$  = thermocouple (or infrared) temperature on top of the package (°C)

$\Psi_{JT}$  = thermal characterization parameter (°C/W)

$P_D$  = power dissipation in the package (W)

## 3.2 Power Supply Design Considerations

This section outlines the MSC7116 power considerations: power supply, power sequencing, power planes, decoupling, power supply filtering, and power consumption. It also presents a recommended power supply design and options for low-power consumption. For information on AC/DC electrical specifications and thermal characteristics, refer to **Section 2**.

### 3.2.1 Power Supply

The MSC7116 requires four input voltages, as shown in **Table 32**.

**Table 32. MSC7116 Voltages**

Voltage	Symbol	Value
Core	$V_{DDC}$	1.2 V
Memory	$V_{DDM}$	2.5 V
Reference	$V_{REF}$	1.25 V
I/O	$V_{DDIO}$	3.3 V

You should supply the MSC7116 core voltage via a variable switching supply or regulator to allow for compatibility with possible core voltage changes on future silicon revisions. The core voltage is supplied with 1.2 V (+5% and -10%) across  $V_{DDC}$  and GND and the I/O section is supplied with 3.3 V ( $\pm 10\%$ ) across  $V_{DDIO}$  and GND. The memory and reference voltages supply the DDR memory controller block. The memory voltage is supplied with 2.5 V across  $V_{DDM}$  and GND. The reference voltage is supplied across  $V_{REF}$  and GND and must be between  $0.49 \times V_{DDM}$  and  $0.51 \times V_{DDM}$ . Refer to the JEDEC standard JESD8 (*Stub Series Terminated Logic for 2.5 Volts (STTL\_2)*) for memory voltage supply requirements.

### 3.2.2 Power Sequencing

One consequence of multiple power supplies is that the voltage rails ramp up at different rates when power is initially applied. The rates depend on the power supply, the type of load on each power supply, and the way different voltages are derived. It is extremely important to observe the power up and power down sequences at the board level to avoid latch-up, forward biasing of ESD devices, and excessive currents, which all lead to severe device damage.

**Note:** There are five possible power-up/power-down sequence cases. The first four cases listed in the following sections are recommended for new designs. The fifth case is not recommended for new designs and must be carefully evaluated for current spike risks based on actual information for the specific application.

### 3.2.2.1 Case 1

The power-up sequence is as follows:

1. Turn on the  $V_{DDIO}$  (3.3 V) supply first.
2. Turn on the  $V_{DDC}$  (1.2 V) supply second.
3. Turn on the  $V_{DDM}$  (2.5 V) supply third.
4. Turn on the  $V_{REF}$  (1.25 V) supply fourth (last).

The power-down sequence is as follows:

1. Turn off the  $V_{REF}$  (1.25 V) supply first.
2. Turn off the  $V_{DDM}$  (2.5 V) supply second.
3. Turn off the  $V_{DDC}$  (1.2 V) supply third.
4. Turn of the  $V_{DDIO}$  (3.3 V) supply fourth (last).

Use the following guidelines:

- Make sure that the time interval between the ramp-down of  $V_{DDIO}$  and  $V_{DDC}$  is less than 10 ms.
- Make sure that the time interval between the ramp-up or ramp-down for  $V_{DDC}$  and  $V_{DDM}$  is less than 10 ms for power-up and power-down.
- Refer to **Figure 30** for relative timing for power sequencing case 1.

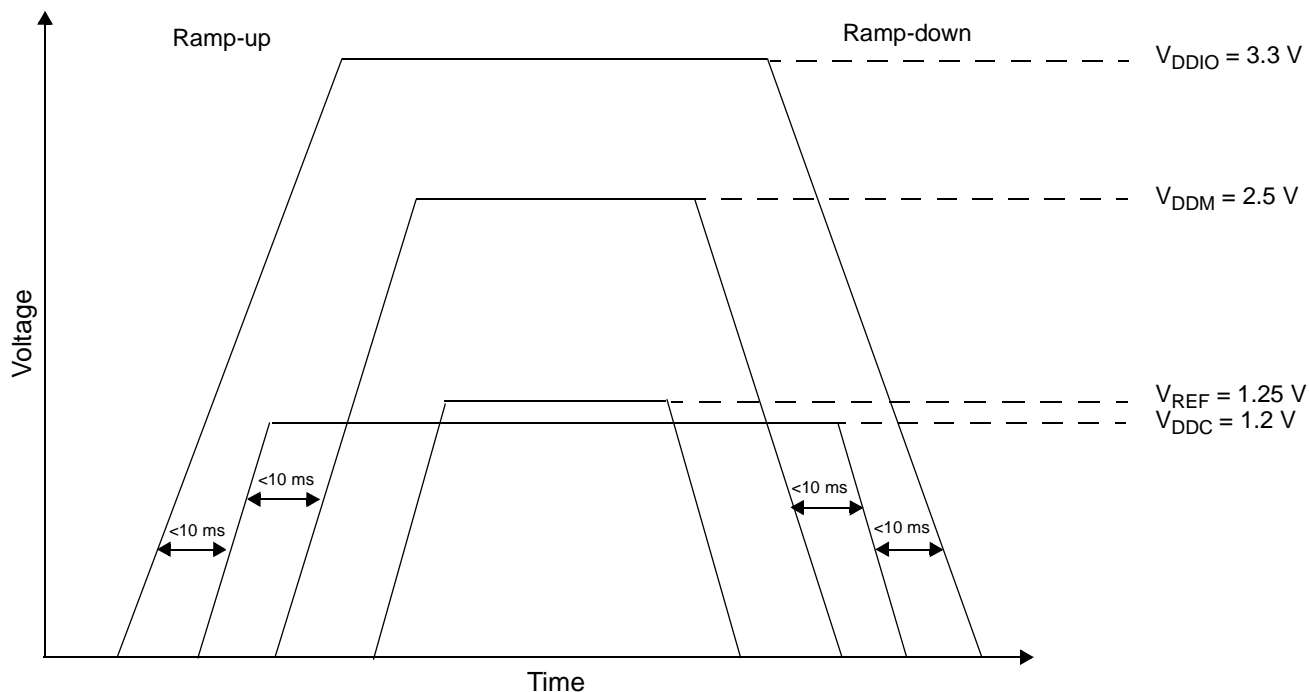


Figure 30. Voltage Sequencing Case 1

### 3.2.2.2 Case 2

The power-up sequence is as follows:

1. Turn on the  $V_{DDIO}$  (3.3 V) supply first.
2. Turn on the  $V_{DDC}$  (1.2 V) and  $V_{DDM}$  (2.5 V) supplies simultaneously (second).
3. Turn on the  $V_{REF}$  (1.25 V) supply last (third).

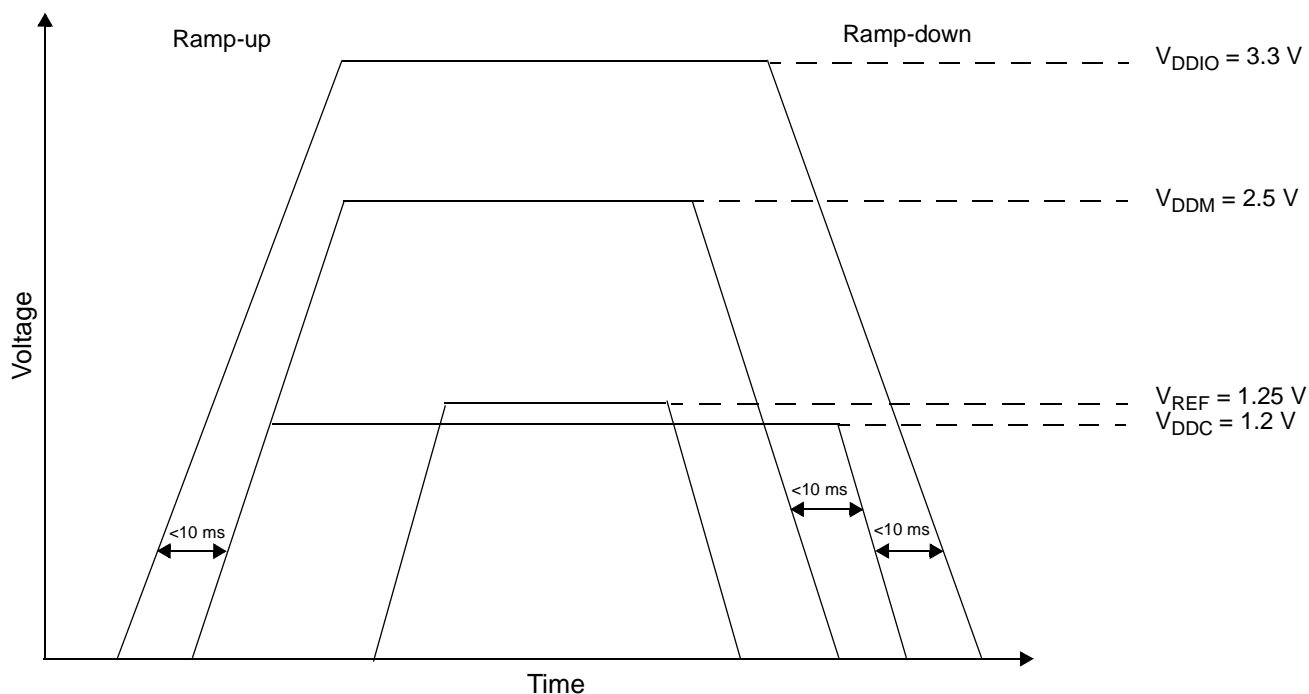
**Note:** Make sure that the time interval between the ramp-up of  $V_{DDIO}$  and  $V_{DDC}/V_{DDM}$  is less than 10 ms.

The power-down sequence is as follows:

1. Turn off the  $V_{REF}$  (1.25 V) supply first.
2. Turn off the  $V_{DDM}$  (2.5 V) supply second.
3. Turn off the  $V_{DDC}$  (1.2 V) supply third.
4. Turn of the  $V_{DDIO}$  (3.3 V) supply fourth (last).

Use the following guidelines:

- Make sure that the time interval between the ramp-down for  $V_{DDIO}$  and  $V_{DDC}$  is less than 10 ms.
- Make sure that the time interval between the ramp-up or ramp-down for  $V_{DDC}$  and  $V_{DDM}$  is less than 10 ms for power-up and power-down.
- Refer to **Figure 31** for relative timing for Case 2.



**Figure 31. Voltage Sequencing Case 2**

### 3.2.2.3 Case 3

The power-up sequence is as follows:

1. Turn on the  $V_{DDIO}$  (3.3 V) supply first.
2. Turn on the  $V_{DDC}$  (1.2 V) supply second.
3. Turn on the  $V_{DDM}$  (2.5 V) and  $V_{REF}$  (1.25 V) supplies simultaneously (third).

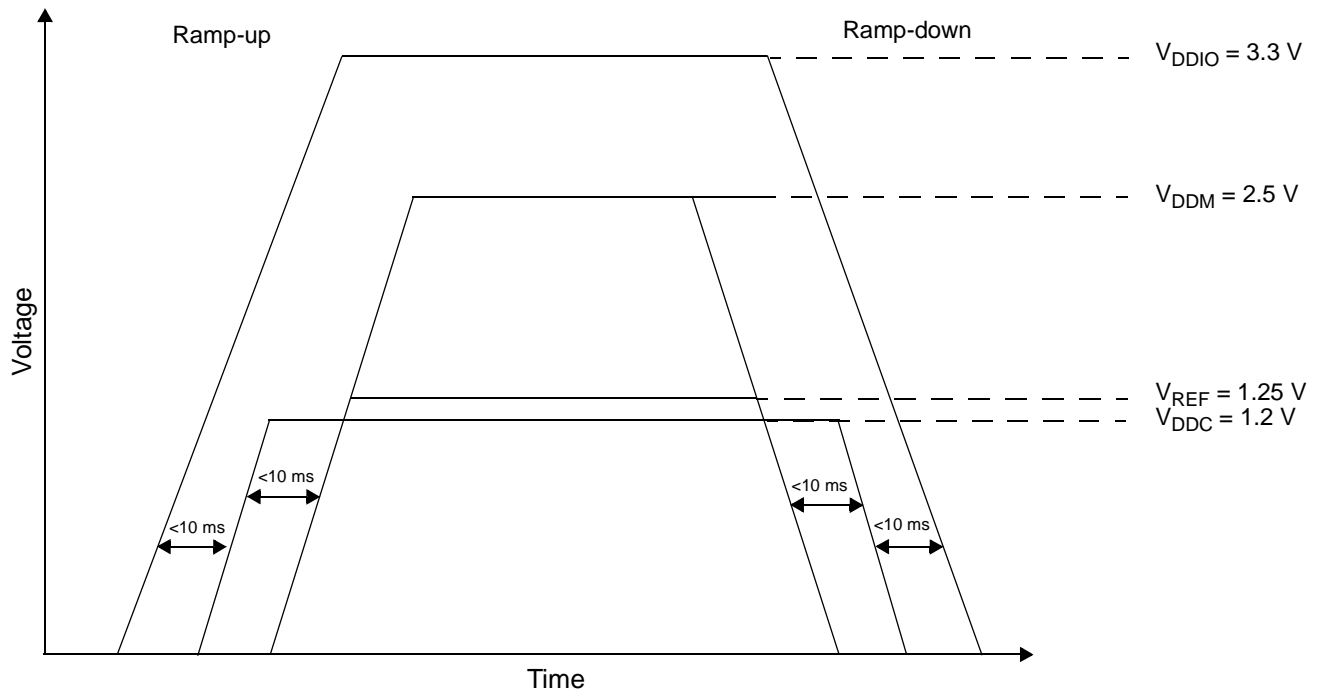
**Note:** Make sure that the time interval between the ramp-up of  $V_{DDIO}$  and  $V_{DDC}$  is less than 10 ms.

The power-down sequence is as follows:

1. Turn off the  $V_{DDM}$  (2.5 V) and  $V_{REF}$  (1.25 V) supplies simultaneously (first).
2. Turn off the  $V_{DDC}$  (1.2 V) supply second.
3. Turn of the  $V_{DDIO}$  (3.3 V) supply third (last).

Use the following guidelines:

- Make sure that the time interval between the ramp-down for  $V_{DDIO}$  and  $V_{DDC}$  is less than 10 ms.
- Make sure that the time interval between the ramp-up or ramp-down time for  $V_{DDC}$  and  $V_{DDM}$  is less than 10 ms for power-up and power-down.
- Refer to **Figure 32** for relative timing for Case 3.



**Figure 32. Voltage Sequencing Case 3**

### 3.2.2.4 Case 4

The power-up sequence is as follows:

1. Turn on the  $V_{DDIO}$  (3.3 V) supply first.
2. Turn on the  $V_{DDC}$  (1.2 V),  $V_{DDM}$  (2.5 V), and  $V_{REF}$  (1.25 V) supplies simultaneously (second).

**Note:** Make sure that the time interval between the ramp-up of  $V_{DDIO}$  and  $V_{DDC}$  is less than 10 ms.

The power-down sequence is as follows:

1. Turn off the  $V_{DDC}$  (1.2 V),  $V_{REF}$  (1.25 V), and  $V_{DDM}$  (2.5 V) supplies simultaneously (first).
2. Turn of the  $V_{DDIO}$  (3.3 V) supply last.

Use the following guidelines:

- Make sure that the time interval between the ramp-up or ramp-down time for  $V_{DDC}$  and  $V_{DDM}$  is less than 10 ms for power-up and power-down.
- Refer to **Figure 33** for relative timing for Case 4.

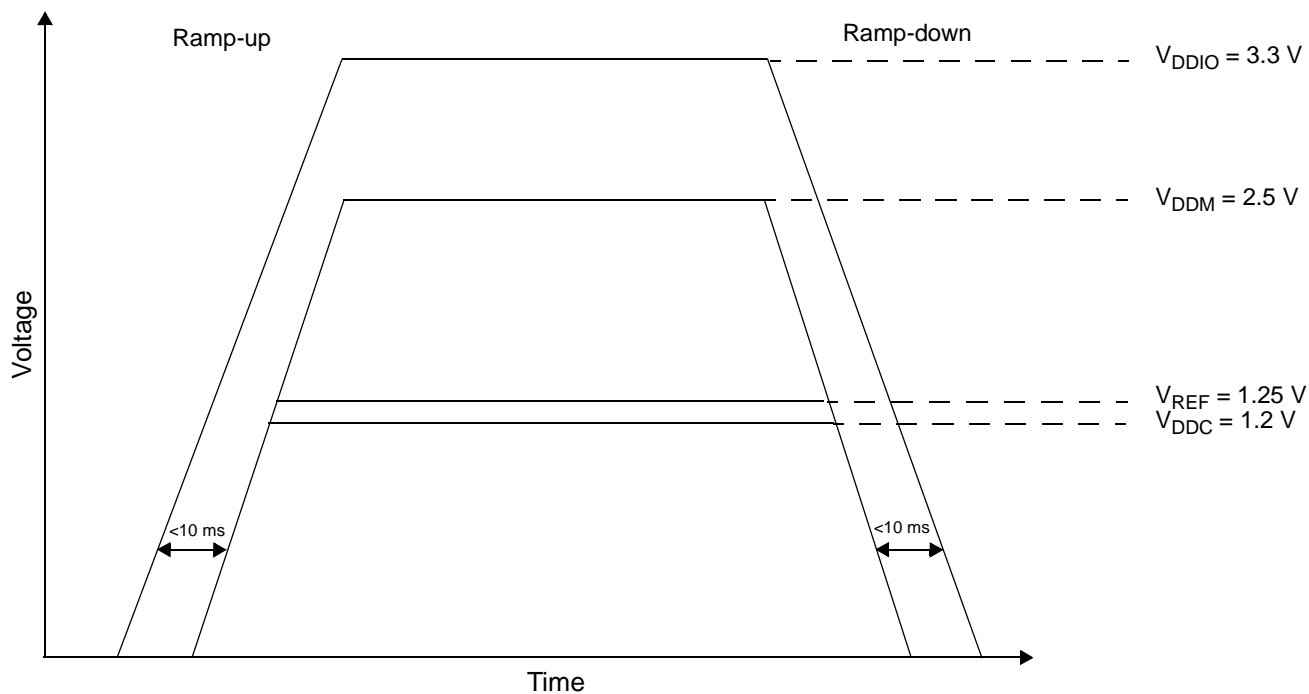


Figure 33. Voltage Sequencing Case 4

### 3.2.2.5 Case 5 (not recommended for new designs)

The power-up sequence is as follows:

1. Turn on the  $V_{DDIO}$  (3.3 V) supply first.
2. Turn on the  $V_{DDM}$  (2.5 V) supply second.
3. Turn on the  $V_{DDC}$  (1.2 V) supply third.
4. Turn on the  $V_{REF}$  (1.25 V) supply fourth (last).

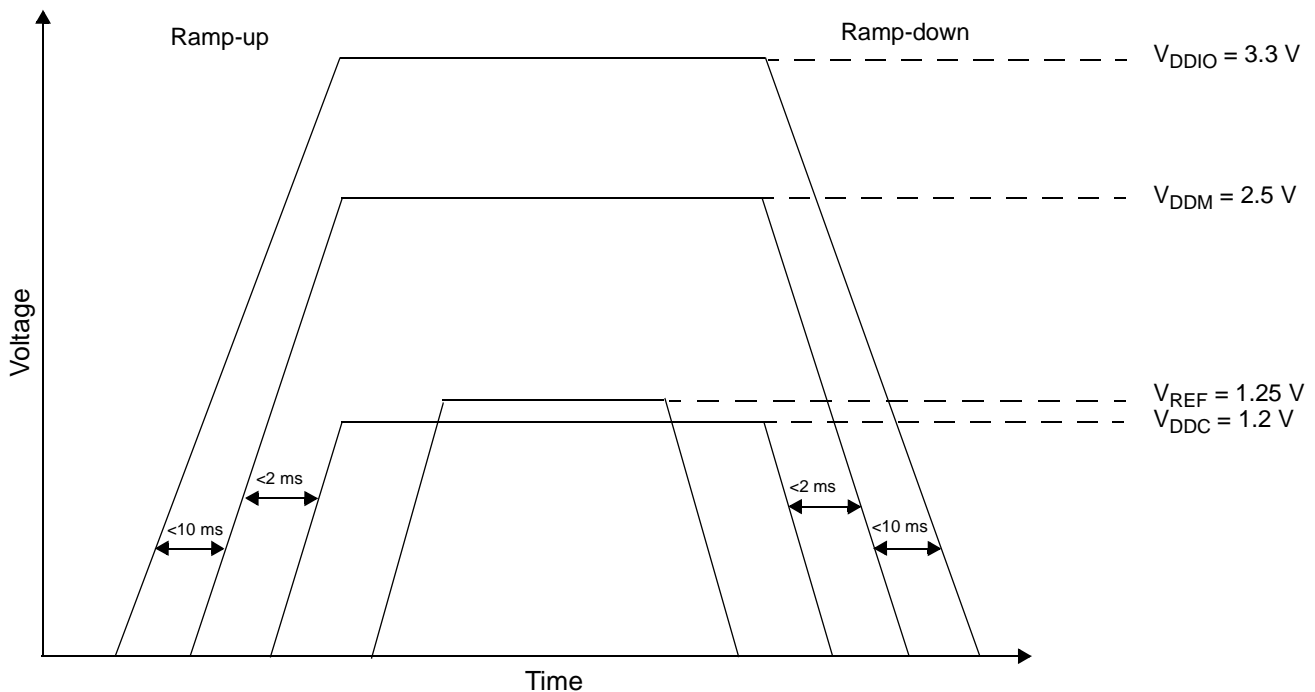
**Note:** Make sure that the time interval between the ramp-up of  $V_{DDIO}$  and  $V_{DDM}$  is less than 10 ms.

The power-down sequence is as follows:

1. Turn off the  $V_{REF}$  (1.25 V) supply first.
2. Turn off the  $V_{DDC}$  (1.2 V) supply second.
3. Turn off the  $V_{DDM}$  (2.5 V) supply third.
4. Turn off the  $V_{DDIO}$  (3.3 V) supply fourth (last).

Use the following guidelines:

- Make sure that the time interval between the ramp-down of  $V_{DDIO}$  and  $V_{DDM}$  is less than 10 ms.
- Make sure that the time interval between the ramp-up or ramp-down for  $V_{DDC}$  and  $V_{DDM}$  is less than 2 ms for power-up and power-down.
- Refer to **Figure 34** for relative timing for power sequencing case 5.



**Figure 34. Voltage Sequencing Case 5**

**Note:** Cases 1, 2, 3, and 4 are recommended for system design. Designs that use Case 5 may have large current spikes on the  $V_{DDM}$  supply at startup and is not recommended for most designs. If a design uses case 5, it must accommodate the potential current spikes. Verify risks related to current spikes using actual information for the specific application.

### 3.2.3 Power Planes

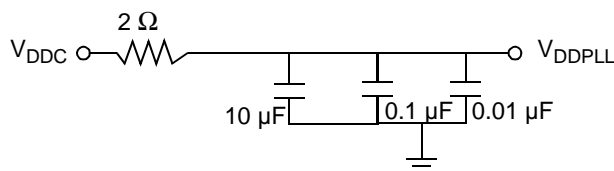
Each power supply pin ( $V_{DDC}$ ,  $V_{DDM}$ , and  $V_{DDIO}$ ) should have a low-impedance path to the board power supply. Each GND pin should be provided with a low-impedance path to ground. The power supply pins drive distinct groups of logic on the device. The MSC7116  $V_{DDC}$  power supply pins should be bypassed to ground using decoupling capacitors. The capacitor leads and associated printed circuit traces connecting to device power pins and GND should be kept to less than half an inch per capacitor lead. A minimum four-layer board that employs two inner layers as power and GND planes is recommended. See **Section 3.5** for DDR Controller power guidelines.

### 3.2.4 Decoupling

Both the I/O voltage and core voltage should be decoupled for switching noise. For I/O decoupling, use standard capacitor values of  $0.01 \mu\text{F}$  for every two to three voltage pins. For core voltage decoupling, use two levels of decoupling. The first level should consist of a  $0.01 \mu\text{F}$  high frequency capacitor with low effective series resistance (ESR) and effective series inductance (ESL) for every two to three voltage pins. The second decoupling level should consist of two bulk/tantalum decoupling capacitors, one  $10 \mu\text{F}$  and one  $47 \mu\text{F}$ , (with low ESR and ESL) mounted as closely as possible to the MSC7116 voltage pins. Additionally, the maximum drop between the power supply and the DSP device should be  $15 \text{ mV}$  at  $1 \text{ A}$ .

### 3.2.5 PLL Power Supply Filtering

The MSC7116  $V_{DDPLL}$  power signal provides power to the clock generation PLL. To ensure stability of the internal clock, the power supplied to this pin should be filtered with capacitors that have low and high frequency filtering characteristics.  $V_{DDPLL}$  can be connected to  $V_{DDC}$  through a  $2 \Omega$  resistor.  $V_{SSPLL}$  can be tied directly to the GND plane. A circuit similar to the one shown in **Figure 35** is recommended. The PLL loop filter should be placed as closely as possible to the  $V_{DDPLL}$  pin (which are located on the outside edge of the silicon package) to minimize noise coupled from nearby circuits. The  $0.01 \mu\text{F}$  capacitor should be closest to  $V_{DDPLL}$ , followed by the  $0.1 \mu\text{F}$  capacitor, the  $10 \mu\text{F}$  capacitor, and finally the  $2\text{-}\Omega$  resistor to  $V_{DDC}$ . These traces should be kept short.



**Figure 35. PLL Power Supply Filter Circuits**

### 3.2.6 Power Consumption

You can reduce power consumption in your design by controlling the power consumption of the following regions of the device:

- *Extended core.* Use the SC1400 Stop and Wait modes by issuing a **stop** or **wait** instruction.
- *Clock synthesis module.* Disable the PLL, timer, watchdog, or DDR clocks or disable the CLKO pin.
- *AHB subsystem.* Freeze or shut down the AHB subsystem using the GPSCTL[XBR\_HRQ] bit.
- *Peripheral subsystem.* Halt the individual on-device peripherals such as the DDR memory controller, Ethernet MAC, HDI16, TDM, UART, I<sup>2</sup>C, and timer modules.

For details, see the “Clocks and Power Management” chapter of the *MSC711x Reference Manual*.

### 3.2.7 Power Supply Design

One of the most common ways to derive power is to use either a simple fixed or adjustable linear regulator. For the system I/O voltage supply, a simple fixed 3.3 V supply can be used. However, a separate adjustable linear regulator supply for the core voltage  $V_{DDC}$  should be implemented. For the memory power supply, regulators are available that take care of all DDR power requirements.

**Table 33. Recommended Power Supply Ratings**

Supply	Symbol	Nominal Voltage	Current Rating
Core	$V_{DDC}$	1.2 V	1.5 A per device
Memory	$V_{DDM}$	2.5 V	0.5 A per device
Reference	$V_{REF}$	1.25 V	10 $\mu$ A per device
I/O	$V_{DDIO}$	3.3 V	1.0 A per device

## 3.3 Estimated Power Usage Calculations

The following equations permit estimated power usage to be calculated for individual design conditions. Overall power is derived by totaling the power used by each of the major subsystems:

$$P_{TOTAL} = P_{CORE} + P_{PERIPHERALS} + P_{DDRIO} + P_{IO} + P_{LEAKAGE} \quad \text{Eqn. 3}$$

This equation combines dynamic and static power. Dynamic power is determined using the generic equation:

$$C \times V^2 \times F \times 10^{-3} \text{ mW} \quad \text{Eqn. 4}$$

where,

C = load capacitance in pF

V = peak-to-peak voltage swing in V

F = frequency in MHz

### 3.3.1 Core Power

Estimation of core power is straightforward. It uses the generic dynamic power equation and assumes that the core load capacitance is 750 pF, core voltage swing is 1.2 V, and the core frequency is 266 MHz. This yields:

$$P_{CORE} = 750 \text{ pF} \times (1.2 \text{ V})^2 \times 266 \text{ MHz} \times 10^{-3} = 287 \text{ mW} \quad \text{Eqn. 5}$$

This equation allows for adjustments to voltage and frequency if necessary.

### 3.3.2 Peripheral Power

Peripherals include the DDR memory controller, Ethernet controller, DMA controller, HDI16, TDM, UART, timers, GPIOs, and the I<sup>2</sup>C module. Basic power consumption by each module is assumed to be the same and is computed by using the following equation which assumes an effective load of 20 pF, core voltage swing of 1.2 V, and a switching frequency of 133 MHz. This yields:

$$P_{PERIPHERAL} = 20 \text{ pF} \times (1.2 \text{ V})^2 \times 133 \text{ MHz} \times 10^{-3} = 3.83 \text{ mW per peripheral} \quad \text{Eqn. 6}$$

Multiply this value by the number of peripherals used in the application to compute the total peripheral power consumption.

### 3.3.3 External Memory Power

Estimation of power consumption by the DDR memory system is complex. It varies based on overall system signal line usage, termination and load levels, and switching rates. Because the DDR memory includes terminations external to the MSC7116 device, the 2.5 V power source provides the power for the termination, which is a static value of 16 mA per signal driven high. The dynamic power is computed, however, using a differential voltage swing of ±0.200 V, yielding a peak-to-peak swing of 0.4 V. The equations for computing the DDR power are:

$$P_{DDRIO} = P_{STATIC} + P_{DYNAMIC} \quad \text{Eqn. 7}$$

$$P_{STATIC} = (\text{unused pins} \times \% \text{ driven high}) \times 16 \text{ mA} \times 2.5 \text{ V} \quad \text{Eqn. 8}$$

$$P_{DYNAMIC} = (\text{pin activity value}) \times 20 \text{ pF} \times (0.4 \text{ V})^2 \times 266 \text{ MHz} \times 10^{-3} \text{ mW} \quad \text{Eqn. 9}$$

$$\text{pin activity value} = (\text{active data lines} \times \% \text{ activity} \times \% \text{ data switching}) + (\text{active address lines} \times \% \text{ activity}) \quad \text{Eqn. 10}$$

As an example, assume the following:

- unused pins = 16 (DDR uses 16-pin mode)
- % driven high = 50%
- active data lines = 16
- % activity = 60%
- % data switching = 50%
- active address lines = 3

In this example, the DDR memory power consumption is:

$$P_{DDRIO} = ((16 \times 0.5) \times 16 \times 2.5) + (((16 \times 0.6 \times 0.5) + (3 \times 0.6)) \times 20 \times (0.4)^2 \times 266 \times 10^{-3}) = 326.3 \text{ mW} \quad \text{Eqn. 11}$$

### 3.3.4 External I/O Power

The estimation of the I/O power is similar to the computation of the peripheral power estimates. The power consumption per signal line is computed assuming a maximum load of 20 pF, a voltage swing of 3.3 V, and a switching frequency of 33 MHz, which yields:

$$P_{IO} = 20 \text{ pF} \times (3.3 \text{ V})^2 \times 33 \text{ MHz} \times 10^{-3} = 7.19 \text{ mW per I/O line} \quad \text{Eqn. 12}$$

Multiply this number by the number of I/O signal lines used in the application design to compute the total I/O power.

**Note:** The signal loading depends on the board routing. For systems using a single DDR device, the load could be as low as 7 pF.

### 3.3.5 Leakage Power

The leakage power is for all power supplies combined at a specific temperature. The value is temperature dependent. The observed leakage value at room temperature is 64 mW.

### 3.3.6 Example Total Power Consumption

Using the examples in this section and assuming four peripherals and 10 I/O lines active, a total power consumption value is estimated as the following:

$$P_{TOTAL} = 287 + (4 \times 3.83) + 326.3 + (10 \times 7.19) + 64 = 764.52 \text{ mW} \quad \text{Eqn. 13}$$

## 3.4 Reset and Boot

This section describes the recommendations for configuring the MSC7116 at reset and boot.

### 3.4.1 Reset Circuit

$\overline{\text{HRESET}}$  is a bidirectional signal and, if driven as an input, should be driven with an open collector or open-drain device. For an open-drain output such as  $\overline{\text{HRESET}}$ , take care when driving many buffers that implement input bus-hold circuitry. The bus-hold currents can cause enough voltage drop across the pull-up resistor to change the logic level to low. Either a smaller value of pull-up or less current loading from the bus-hold drivers overcomes this issue. To avoid exceeding the MSC7116 output current, the pull-up value should not be too small (a 1 K $\Omega$  pull-up resistor is used in the MSC711xADS reference design).

### 3.4.2 Reset Configuration Pins

**Table 34** shows the MSC7116 reset configuration signals. These signals are sampled at the deassertion (rising edge) of  $\overline{\text{PORESET}}$ . For details, refer to the Reset chapter of the *MSC711x Reference Manual*.

**Table 34. Reset Configuration Signals**

Signal	Description	Settings
BM[3–0]	Determines boot mode.	See <b>Table 35</b> for details.
SWTE	Determines watchdog functionality.	0 Watchdog timer disabled. 1 Watchdog timer enabled.
HDSP	Configures HDI16 strobe polarity.	0 Host Data strobes active low. 1 Host Data strobes active high.
H8BIT	Configures HDI16 operation mode.	0 HDI16 port configured for 16-bit operation. 1 HDI16 port configured for 8-bit operation.

**Table 35. Boot Mode Source Selection**

BM[3-0]	Boot Port	Input Clock Frequency	Clock Divide	PLL	CKSEL	RNG Bit	Core Clock Frequency	Comments
HDI Boot Modes								
0000	HDI16	< F <sub>max</sub>	N/A	N/A	00	0	< F <sub>max</sub>	Not clocked by the PLL. Can boot as 8- or 16-bit HDI.
0101	HDI16	22.2-25 MHz	1	12	11	1	266-300 MHz	Can boot as 8- or 16-bit HDI.
0010	HDI16	25-33.3 MHz	2	32	01	1	200-266 MHz	
0111	HDI16	33-66 MHz	3	12	11	1	132-264 MHz	
0100	HDI16	44.3-50 MHz	2	12	11	1	266-300 MHz	
SPI Boot Modes - Using HA3, HCS2, BM3, BM2 Pins								
1000	SPI (SW)	< F <sub>max</sub>	N/A	N/A	00	0	< F <sub>max</sub>	The boot program automatically determines whether EEPROM or Flash memory.
1001	SPI (SW)	15.6-25 MHz	1	17	11	0	133-212.5 MHz	
1010	SPI (SW)	33-50 MHz	2	16	11	0	132-200 MHz	
1011	SPI (SW)	44.3-75 MHz	3	18	11	0	133-225 MHz	
SPI Boot Modes - Using URXD, UTXD, SCL, SDA Pins								
1100	SPI (SW)	< F <sub>max</sub>	N/A	N/A	00	0	< F <sub>max</sub>	Boots through different set of pins.
I <sup>2</sup> C Boot Modes								
0001	I <sup>2</sup> C	< 100 MHz	N/A	N/A	00	0	< 100 MHz	Not clocked by the PLL. I <sup>2</sup> C is limited to a maximum bit rate of 400 Kbps. With a clock divider of 128, this limits the maximum input clock frequency to 100 MHz.
Reserved								
0011	Reserved	—	—	—	—	—	—	—
0110	Reserved	—	—	—	—	—	—	—
1101	Reserved	—	—	—	—	—	—	—
1110	Reserved	—	—	—	—	—	—	—
1111	Reserved	—	—	—	—	—	—	—
<b>Notes:</b>	<ol style="list-style-type: none"> <li>1. The clock divider determines the value used in the clock module CLKCTRL[PLLDVDF] field.</li> <li>2. The clock multiplier determines the value used in the clock module CLKCTRL[PLLMLTF] field.</li> <li>3. F<sub>max</sub> is determined by the maximum frequency of the peripheral and of the SC1400 core as specified in the data sheet.</li> </ol>							

### 3.4.3 Boot

After a power-on reset, the PLL is bypassed and the device is directly clocked from the CLKIN pin. Thus, the device operates slowly during the boot process. After the boot program is loaded, it can enable the PLL and start the device operating at a higher speed. The MSC7116 can boot from an external host through the HDI16 or download a user program through the I<sup>2</sup>C port. The boot operating mode is set by configuring the BM[0-3] signals sampled at the rising edge of PORESET, as shown in **Table 35**. See the *MSC711x Reference Manual* for details of boot program operation.

#### 3.4.3.1 HDI16 Boot

If the MSC7116 device boots from an external host through the HDI16, the port is configured as follows:

- Operate in Non-DMA mode.
- Operate in polled mode on the device side.
- Operate in polled mode on the external host side.
- External host must write four 16-bit values at a time with the first word as the most significant and the fourth word as the least significant.

When booting from a power-on reset, the HDI16 is additionally configurable as follows:

- 8- or 16-bit mode as specified by the H8BIT pin.
- Data strobe as specified by the HDSP and HDDS pins.

These pins are sampled only on the deassertion of power-on reset. During a boot from a hard reset, the configuration of these pins is unaffected.

**Note:** When the HDI16 is used for booting or other purposes, bit 0 is the least significant bit and not the most significant bit as for other DSP products.

### 3.4.3.2 I<sup>2</sup>C Boot

When the MSC7116 device is configured to boot from the I<sup>2</sup>C port, the boot program configures the GPIO pins for I<sup>2</sup>C operation. Then the MSC7116 device initiates accesses to the I<sup>2</sup>C module, downloading data to the MSC7116 device. The I<sup>2</sup>C interface is configured as follows:

- PLL is disabled and bypassed so that the I<sup>2</sup>C module is clocked with the IPBus clock.
- I<sup>2</sup>C interface operates in master mode and polling is used.
- EPROM operates in slave mode.
- Clock divider is set to 128.
- Address of slave during boot is 0xA0.

The IPBus clock is internally divided to generate the bit clock, as follows:

- CLKIN must be a maximum of 100 MHz
- PLL is bypassed.
- IPBus clock = CLKIN/2 is a maximum of 50 MHz.
- I<sup>2</sup>C bit clock must be less than or equal to:
  - IPBus clock/I<sup>2</sup>C clock divider
  - 50 MHz (max)/128
  - 390.6 KHz

This satisfies the maximum clock rate requirement of 400 kbps for the I<sup>2</sup>C interface. For details on the boot procedure, see the “Boot Program” chapter of the *MSC711x Reference Manual*.

### 3.4.3.3 SPI Boot

When the MSC7116 device is configured to boot from the SPI port, the boot program configures the GPIO pins for SPI operation. Then the MSC7116 device initiates accesses to the SPI module, downloading data to the MSC7116 device. When the SPI routines run in the boot ROM, the MSC7116 is always configured as the SPI master. Booting through the SPI is supported for serial EEPROM devices and serial Flash devices. When a READ\_ID instruction is issued to the serial memory device and the device returns a value of 0x00 or 0xFF, the routines for accessing a serial EEPROM are used, at a maximum frequency of 4 Mbps. Otherwise, the routines for accessing a serial Flash are used, and they can run at faster speeds. Booting is performed through one of two sets of pins:

- Main set: BM[2–3], HA3, and HCS2, which allow use of the PLL.
- Alternate set: UTXD, URXD, SDA, and SCL, which cannot be used with the PLL.

In either configuration, an error during SPI boot is flagged on the EVNT3 pin. For details on the boot procedure, see the “Boot Program” chapter of the *MSC711x Reference Manual*.

### 3.5 DDR Memory System Guidelines

MSC7116 devices contain a memory controller that provides a glueless interface to external double data rate (DDR) SDRAM memory modules with Class 2 Series Stub Termination Logic 2.5 V (SSTL\_2). There are two termination techniques, as shown in Figure 36. Technique B is the most popular termination technique.

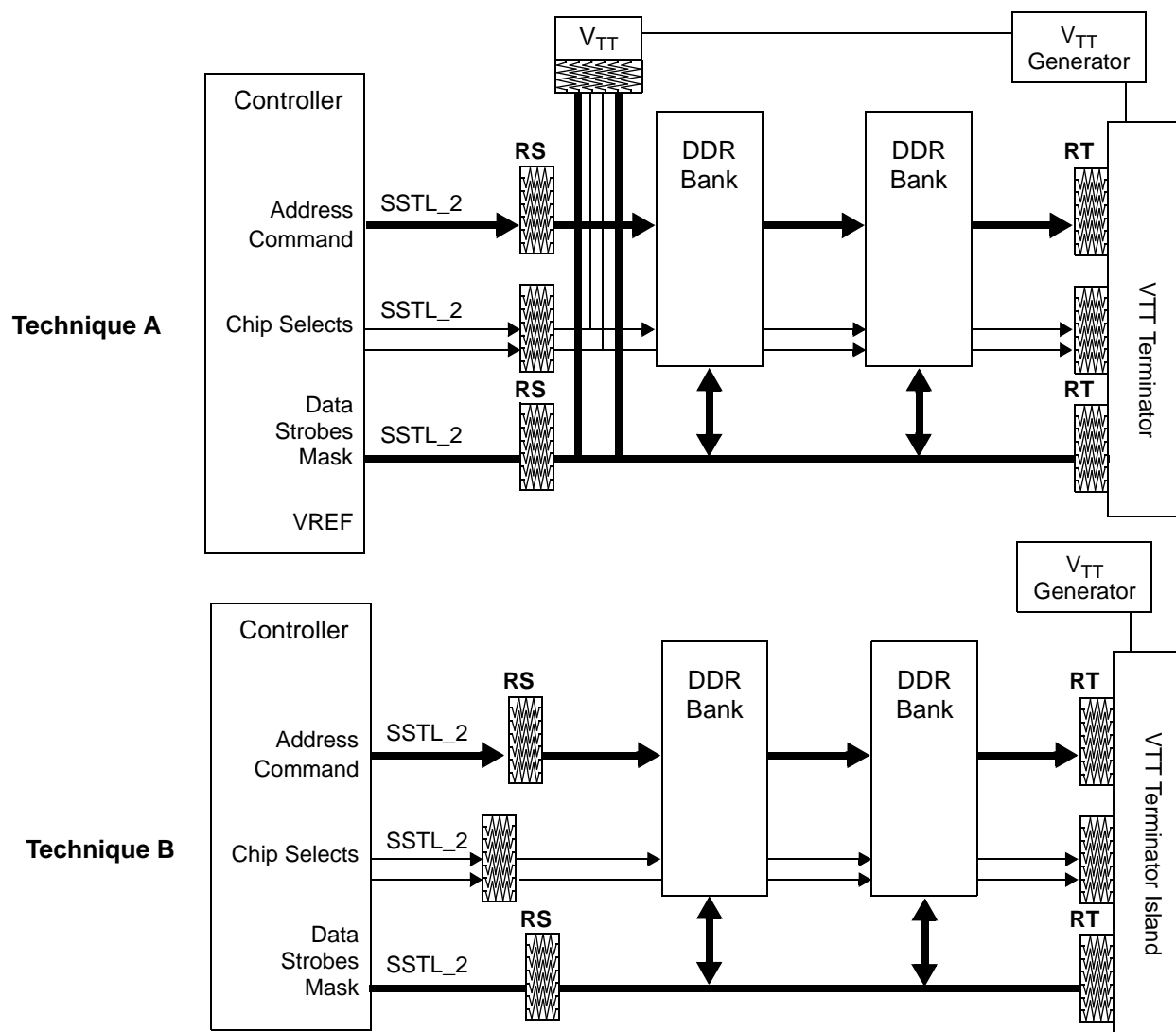


Figure 36. SSTL Termination Techniques

Figure 37 illustrates the power wattage for the resistors. Typical values for the resistors are as follows:

- RS = 22 Ω
- RT = 24 Ω

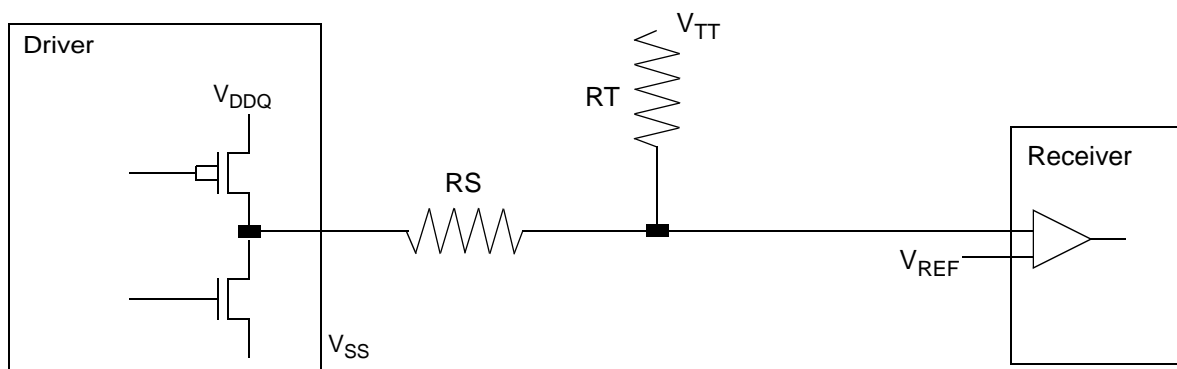


Figure 37. SSTL Power Value

### 3.5.1 $V_{REF}$ and $V_{TT}$ Design Constraints

$V_{TT}$  and  $V_{REF}$  are isolated power supplies at the same voltage, with  $V_{TT}$  as a high current power source. This section outlines the voltage supply design needs and goals:

- Minimize the noise on both rails.
- $V_{TT}$  must track variation in the  $V_{REF}$  DC offsets. Although they are isolated supplies, one possible solution is to use a single IC to generate both signals.
- Both references should have minimal drift over temperature and source supply.
- It is important to minimize the noise from coupling onto  $V_{REF}$  as follows:
  - Isolate  $V_{REF}$  and shield it with a ground trace.
  - Use 15–20 mm track.
  - Use 20–30 mm clearance between other traces for isolating.
  - Use the outer layer route when possible.
  - Use distributed decoupling to localize transient currents and return path and decouple with an inductance less than 3 nH.
- Max source/sink transient currents of up to 1.8 A for a 32-bit data bus.
- Use a wide island trace on the outer layer:
  - Place the island at the end of the bus.
  - Decouple both ends of the bus.
  - Use distributed decoupling across the island.
  - Place SSTL termination resistors inside the  $V_{TT}$  island and ensure a good, solid connection.
- Place the  $V_{TT}$  regulator as closely as possible to the termination island.
  - Reduce inductance and return path.
  - Tie current sense pin at the midpoint of the island.

### 3.5.2 Decoupling

The DDR decoupling considerations are as follows:

- DDR memory requires significantly more burst current than previous SDRAMs.
- In the worst case, up to 64 drivers may be switching states.
- Pay special attention and decouple discrete ICs per manufacturer guidelines.
- Leverage  $V_{TT}$  island topology to minimize the number of capacitors required to supply the burst current needs of the termination rail.
- See the Micron DesignLine publication entitled *Decoupling Capacitor Calculation for a DDR Memory Channel* (<http://download.micron.com/pdf/pubs/designline/3Q00d11-4.pdf>).

### 3.5.3 General Routing

The general routing considerations for the DDR are as follows:

- All DDR signals must be routed next to a solid reference:
  - For data, next to solid ground planes.
  - For address/command, power planes if necessary.
- All DDR signals must be impedance controlled. This is system dependent, but typical values are 50–60 ohm.
- Minimize other cross-talk opportunities. As possible, maintain at least a four times the trace width spacing between all DDR signals to non-DDR signals.
- Keep the number of vias to a minimum to eliminate additional stubs and capacitance.
- Signal group routing priorities are as follows:
  - DDR clocks.
  - Route MVTT/MVREF.
  - Data group.
  - Command/address.
- Minimize data bit jitter by trace matching.

### 3.5.4 Routing Clock Distribution

The DDR clock distribution considerations are as follows:

- DDR controller supports six clock pairs:
  - 2 DIMM modules.
  - Up to 36 discrete chips.
- For route traces as for any other differential signals:
  - Maintain proper difference pair spacing.
  - Match pair traces within 25 mm.
- Match all clock traces to within 100 mm.
- Keep all clocks equally loaded in the system.
- Route clocks on inner critical layers.

### 3.5.5 Data Routing

The DDR data routing considerations are as follows:

- Route each data group (8-bits data + DQS + DM) on the same layer. Avoid switching layers within a byte group.
- Take care to match trace lengths, which is extremely important.
- To make trace matching easier, let adjacent groups be routed on alternate critical layers.
- Pin swap bits within a byte group to facilitate routing (discrete case).
- Tight trace matching is recommended within the DDR data group. Keep each 8-bit datum and its DM signal within  $\pm 25$  mm of its respective strobe.
- Minimize lengths across the entire DDR channel:
  - Between all groups maintain a delta of no more than 500 mm.
  - Allows greater flexibility in the design for readjustments as needed.
- DDR data group separation:
  - If stack-up allows, keep DDR data groups away from the address and control nets.
  - Route address and control on separate critical layers.
  - If resistor networks (RNs) are used, attempt to keep data and command lines in separate packages.

## 3.6 Connectivity Guidelines

This section summarizes the connections and special conditions, such as pull-up or pull-down resistors, for the MSC7116 device. Following are guidelines for signal groups and configuration settings:

- *Clock and reset signals.*
  - SWTE is used to configure the MSC7116 device and is sampled on the deassertion of  $\overline{\text{PORESET}}$ , so it should be tied to  $V_{\text{DDC}}$  or GND either directly or through pull-up or pull-down resistors until  $\overline{\text{PORESET}}$  is deasserted. After  $\overline{\text{PORESET}}$ , this signal can be left floating.
  - BM[0–1] configure the MSC7116 device and are sampled until  $\overline{\text{PORESET}}$  is deasserted, so they should be tied to  $V_{\text{DDIO}}$  or GND either directly or through pull-up or pull-down resistors.
  - $\overline{\text{HRESET}}$  should be pulled up.
- *Interrupt signals.* When used,  $\overline{\text{IRQ}}$  pins must be pulled up.
- *HDI16 signals.*
  - When they are configured for open-drain, the  $\overline{\text{HREQ/HREQ}}$  or  $\overline{\text{HTRQ/HTRQ}}$  signals require a pull-up resistor. However, these pins are also sampled at power-on reset to determine the HDI16 boot mode and may need to be pulled down. When these pins must be pulled down on reset and pulled up otherwise, a buffer can be used with the  $\overline{\text{HRESET}}$  signal as the enable.
  - When the device boots through the HDI16, the HDDS, HDSP and H8BIT pins should be pulled up or down, depending on the required boot mode settings.
- *Ethernet MAC/TDM2 signals.* The MDIO signal requires an external pull-up resistor.
- *I<sup>2</sup>C signals.* The SCL and SDA signals, when programmed for I<sup>2</sup>C, requires an external pull-up resistor.
- *General-purpose I/O (GPIO) signals.* An unused GPIO pin can be disconnected. After boot, program it as an output pin.
- *Other signals.*
  - The  $\overline{\text{TEST0}}$  pin must be connected to ground.
  - The  $\overline{\text{TPSEL}}$  pin should be pulled up to enable debug access via the EOnCE port and pulled down for boundary scan.
  - Pins labelled NO CONNECT (NC) must not be connected.
  - When a 16-pin double data rate (DDR) interface is used, the 16 unused data pins should be no connects (floating) if the used lines are terminated.
  - Do not connect DBREQ to DONE (as you would for the MSC8101 device). Connect DONE to one of the EVNT pins, and DBREQ to HRRQ.

## 4 Ordering Information

Consult a Freescale Semiconductor sales office or authorized distributor to determine product availability and place an order.

Part	Supply Voltage	Package Type	Pin Count	Core Frequency (MHz)	Solder Spheres	Order Number
MSC7116	1.2 V core 2.5 V memory 3.3 V I/O	Molded Array Process-Ball Grid Array (MAP-BGA)	400	266	Lead-free	MSC7116VM1000
					Lead-bearing	MSC7116VF1000

## 5 Package Information

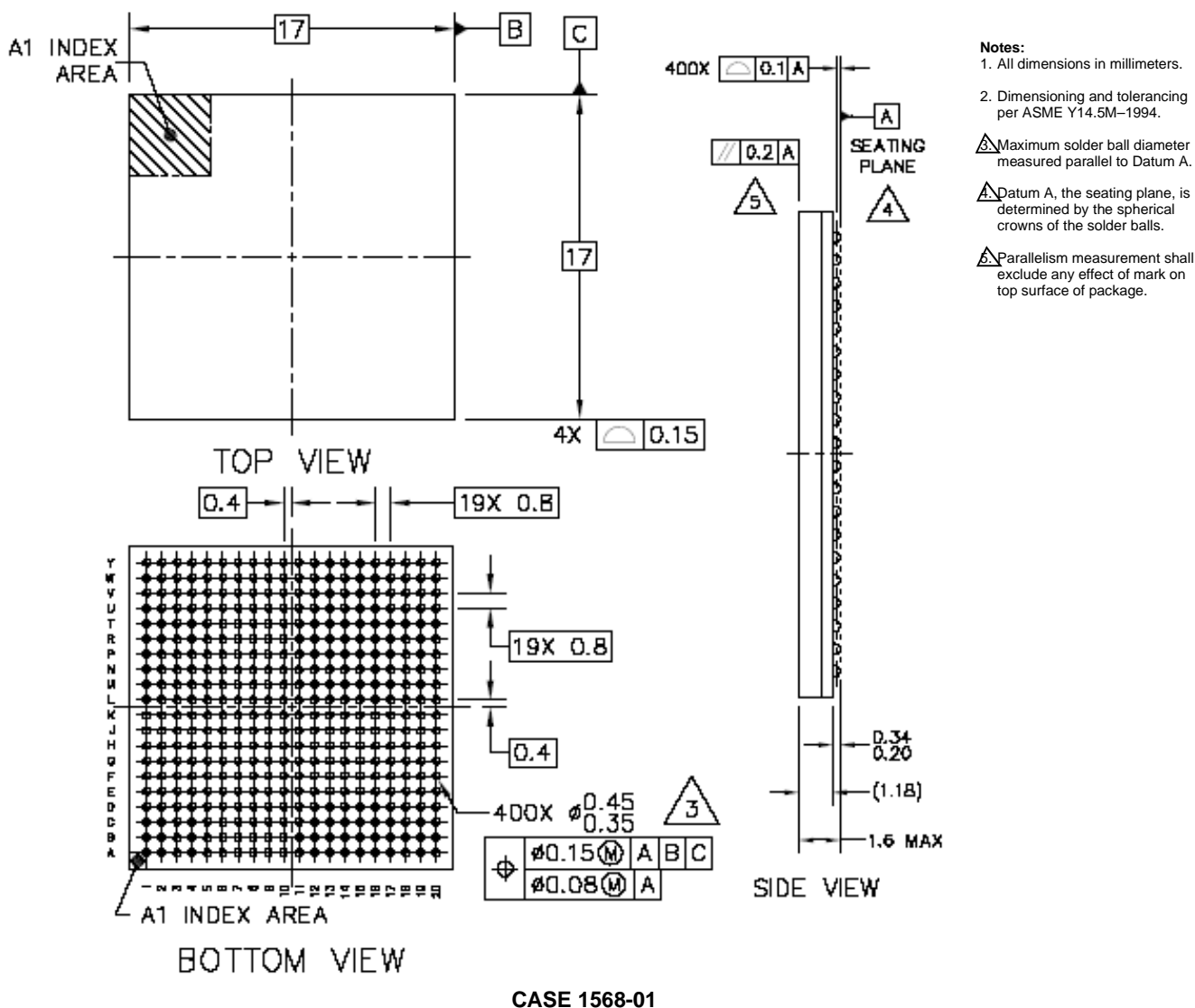


Figure 38. MSC7116 Mechanical Information, 400-pin MAP-BGA Package

## 6 Product Documentation

- *MSC711x Reference Manual* (MSC711xRM). Includes functional descriptions of the extended cores and all the internal subsystems including configuration and programming information.
- *Application Notes*. Cover various programming topics related to the StarCore DSP core and the MSC7116 device.
- *SC140/SC1400 DSP Core Reference Manual*. Covers the SC140 and SC1400 core architecture, control registers, clock registers, program control, and instruction set.

## 7 Revision History

Table 36 provides a revision history for this data sheet.

**Table 36. Document Revision History**

Revision	Date	Description
0	Apr 2004	<ul style="list-style-type: none"> <li>Initial public release.</li> </ul>
1	May 2004	<ul style="list-style-type: none"> <li>Added ordering information and new package options.</li> </ul>
2	Aug. 2004	<ul style="list-style-type: none"> <li>Updated clock parameter values.</li> <li>Updated DDR timing specifications.</li> <li>Updated I<sup>2</sup>C timing specifications.</li> </ul>
3	Sep. 2004	<ul style="list-style-type: none"> <li>Updated <b>Figures 1-2</b> and <b>1-2</b> to correct HDSP and DBREQ.</li> <li>Corrected EE0 port reference.</li> <li>Updated ball location for HDSP.</li> </ul>
4	Jan. 2005	<ul style="list-style-type: none"> <li>Added signal HA3.</li> <li>Updated absolute maximum ratings, DDR DRAM capacitance specifications, clock parameters, reset timing, and TDM timing.</li> <li>Added note for timing reference for I<sup>2</sup>C interface.</li> <li>Expanded GPIO timing information.</li> <li>Corrected pin T20 and K20 signal designation.</li> <li>Corrected signal names to GPA015 and <math>\overline{IRQ2}</math>.</li> <li>Expanded design guidelines in Chapter 4.</li> </ul>
5	Mar. 2005	<ul style="list-style-type: none"> <li>Updated features list.</li> <li>Updated power specifications.</li> <li>Changed CLKIN frequency range.</li> <li>Added clock configuration information.</li> <li>Updated JTAG timings.</li> </ul>
6	Apr. 2005	<ul style="list-style-type: none"> <li>Added recommended power supply ratings and updated equations to estimate power consumption.</li> </ul>
7	Oct. 2005	<ul style="list-style-type: none"> <li>Updated core and total power consumption examples.</li> </ul>
8	Dec. 2005	<ul style="list-style-type: none"> <li>Added information about the new mask set 1M88B. Affected all sections.</li> </ul>
9	Nov. 2006	<ul style="list-style-type: none"> <li>Updated arrows in Host DMA Writing Timing figure.</li> <li>Updated boot overview in <b>Section 4.4.3</b>.</li> </ul>
10	Apr. 2007	<ul style="list-style-type: none"> <li>Removed erroneous references to V<sub>CCSYN</sub> and V<sub>CCSYN1</sub>.</li> </ul>
11	Jul. 2007	<ul style="list-style-type: none"> <li>Updated to new data sheet format. Reorganized and renumbered sections, figures, and tables.</li> <li>Removed all references to obsolete mask set 1L44X and corresponding specification values.</li> <li>Added a note to clarify the definition of TCK timing 700 in new <b>Table 31</b>.</li> <li>Reworked reset and boot sections.</li> <li>Expanded I<sup>2</sup>C boot information and added SPI boot information.</li> <li>Removed obsolete part numbers.</li> </ul>
12	Aug 2007	<ul style="list-style-type: none"> <li>The power-up and power-down sequences described in <b>Section 3.2</b> starting on page 42 have been expanded to five possible design scenarios/cases. These cases replace the previously recommended power-up/power-down sequence recommendations. <b>Section 3.2</b> has been clarified by adding subsection headings.</li> </ul>
13	Apr 2008	<ul style="list-style-type: none"> <li>Change the PLL filter resistor from 20 <math>\Omega</math> to 2 <math>\Omega</math> in <b>Section 3.2.5</b>.</li> </ul>

## How to Reach Us:

### Home Page:

[www.freescale.com](http://www.freescale.com)

### Web Support:

<http://www.freescale.com/support>

### USA/Europe or Locations Not Listed:

Freescale Semiconductor, Inc.  
Technical Information Center, EL516  
2100 East Elliot Road  
Tempe, Arizona 85284  
+1-800-521-6274 or  
+1-480-768-2130  
[www.freescale.com/support](http://www.freescale.com/support)

### Europe, Middle East, and Africa:

Freescale Halbleiter Deutschland GmbH  
Technical Information Center  
Schatzbogen 7  
81829 Muenchen, Germany  
+44 1296 380 456 (English)  
+46 8 52200080 (English)  
+49 89 92103 559 (German)  
+33 1 69 35 48 48 (French)  
[www.freescale.com/support](http://www.freescale.com/support)

### Japan:

Freescale Semiconductor Japan Ltd.  
Headquarters  
ARCO Tower 15F  
1-8-1, Shimo-Meguro, Meguro-ku  
Tokyo 153-0064  
Japan  
0120 191014 or  
+81 3 5437 9125  
[support.japan@freescale.com](mailto:support.japan@freescale.com)

### Asia/Pacific:

Freescale Semiconductor Hong Kong Ltd.  
Technical Information Center  
2 Dai King Street  
Tai Po Industrial Estate  
Tai Po, N.T., Hong Kong  
+800 2666 8080  
[support.asia@freescale.com](mailto:support.asia@freescale.com)

### For Literature Requests Only:

Freescale Semiconductor  
Literature Distribution Center  
P.O. Box 5405  
Denver, Colorado 80217  
+1-800 441-2447 or  
+1-303-675-2140  
Fax: +1-303-675-2150  
[LDCForFreescaleSemiconductor@hibbertgroup.com](mailto:LDCForFreescaleSemiconductor@hibbertgroup.com)

Information in this document is provided solely to enable system and software implementers to use Freescale Semiconductor products. There are no express or implied copyright licenses granted hereunder to design or fabricate any integrated circuits or integrated circuits based on the information in this document.

Freescale Semiconductor reserves the right to make changes without further notice to any products herein. Freescale Semiconductor makes no warranty, representation or guarantee regarding the suitability of its products for any particular purpose, nor does Freescale Semiconductor assume any liability arising out of the application or use of any product or circuit, and specifically disclaims any and all liability, including without limitation consequential or incidental damages. "Typical" parameters that may be provided in Freescale Semiconductor data sheets and/or specifications can and do vary in different applications and actual performance may vary over time. All operating parameters, including "Typicals", must be validated for each customer application by customer's technical experts. Freescale Semiconductor does not convey any license under its patent rights nor the rights of others. Freescale Semiconductor products are not designed, intended, or authorized for use as components in systems intended for surgical implant into the body, or other applications intended to support or sustain life, or for any other application in which the failure of the Freescale Semiconductor product could create a situation where personal injury or death may occur. Should Buyer purchase or use Freescale Semiconductor products for any such unintended or unauthorized application, Buyer shall indemnify and hold Freescale Semiconductor and its officers, employees, subsidiaries, affiliates, and distributors harmless against all claims, costs, damages, and expenses, and reasonable attorney fees arising out of, directly or indirectly, any claim of personal injury or death associated with such unintended or unauthorized use, even if such claim alleges that Freescale Semiconductor was negligent regarding the design or manufacture of the part.

RoHS-compliant and/or Pb-free versions of Freescale products have the functionality and electrical characteristics as their non-RoHS-compliant and/or non-Pb-free counterparts. For further information, see <http://www.freescale.com> or contact your Freescale sales representative.

For information on Freescale's Environmental Products program, go to <http://www.freescale.com/epp>.

Freescale™, the Freescale logo, CodeWarrior, fieldBIST, and StarCore are trademarks of Freescale Semiconductor, Inc. IEEE, 802.3, 802.3u, 802.3x, and 802.3ac are trademarks of the Institute of Electrical and Electronics Engineers, Inc. (IEEE). All other product or service names are the property of their respective owners.

© Freescale Semiconductor, Inc. 2004, 2008. All rights reserved.

## Looking for pricing, stock, or lifecycle information?

Click below to explore more details on WIN SOURCE:

- ⊖ [View MSC7116VF1000 on WIN SOURCE](#)
- ⊖ [Freescale Semiconductor - NXP Information](#)

## Optimize Your Supply Chain with WIN SOURCE Solutions

- ✓ Global Sourcing Solution
- ✓ Obsolete Management
- ✓ Cost Control Management
- ✓ Shortage Management
- ✓ Alternative Solution
- ✓ Excess Inventory Management